



US00D900325S

(12) **United States Design Patent** (10) **Patent No.:** **US D900,325 S**
Emery et al. (45) **Date of Patent:** **** Oct. 27, 2020**

(54) **ULTRASOUND THERAPEUTIC TREATMENT HANDPIECE**

(56) **References Cited**

U.S. PATENT DOCUMENTS

(71) Applicant: **Ulthera, Inc.**, Mesa, AZ (US)

D435,107 S * 12/2000 Blair D24/186
D498,535 S 11/2004 Genau

(Continued)

(72) Inventors: **Charles D. Emery**, Gilbert, AZ (US);
Brian Lee Prout, Gilbert, AZ (US);
Dwayne E. Quatier, Chandler, AZ (US);
Alexander Michael Diener, Seattle, WA (US);
Spencer Michael Denton, Seattle, WA (US);
Kristin Marie Will, Seattle, WA (US);
Luke David Springer, Seattle, WA (US);
Trent R. Wetherbee, Spokane Valley, WA (US);
Jered L. Singleton, Bainbridge Island, WA (US);
Peter J. Heinrich, Auburn, WA (US);
Cameron Andrew Harder, San Francisco, CA (US);
John R. Murkowski, Seattle, WA (US)

OTHER PUBLICATIONS

What is cosmetic ultherapy? Online, published date Jan. 18, 2020. Retrieved on Jul. 8, 2020 from URL: <https://www.quora.com/What-is-cosmetic-ultherapy>.*

Primary Examiner — Susan Bennett Hattan
Assistant Examiner — Omeed Agilee
(74) *Attorney, Agent, or Firm* — Knobbe Martens Olson & Bear LLP

(73) Assignee: **Ulthera, Inc.**, Mesa, AZ (US)

(**) Term: **15 Years**

(21) Appl. No.: **29/726,141**

(22) Filed: **Feb. 28, 2020**

(57) **CLAIM**

The ornamental design for an ultrasound therapeutic treatment handpiece, as shown and described.

Related U.S. Application Data

(62) Division of application No. 29/636,013, filed on Feb. 5, 2018, now Pat. No. Des. 880,703.

(51) **LOC (12) Cl.** **24-02**

(52) **U.S. Cl.**
USPC **D24/187**

(58) **Field of Classification Search**
USPC D24/110, 137, 144, 147, 133, 186, 187,
D24/227, 231; D28/7; D10/60, 78, 80

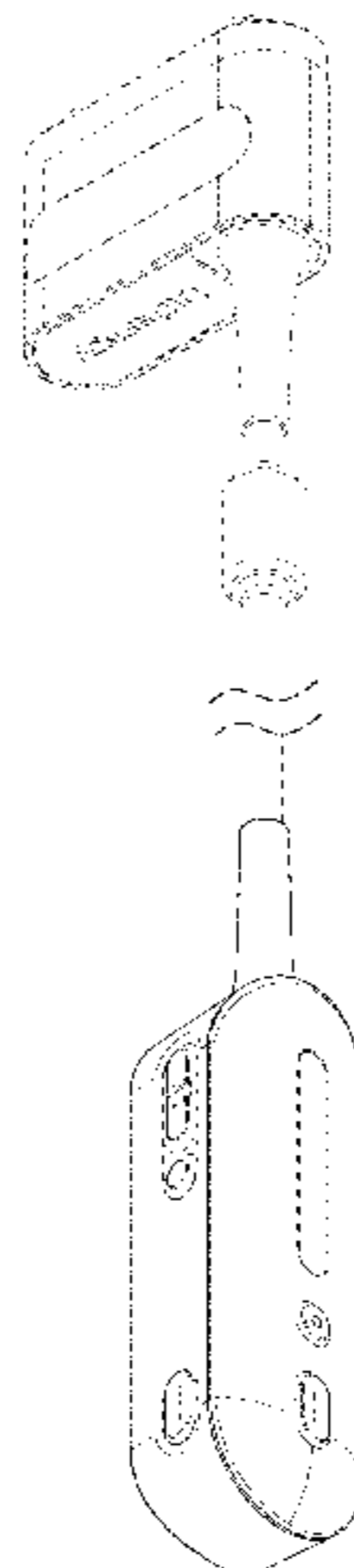
(Continued)

DESCRIPTION

FIG. 1 is a top right perspective view of an ultrasound therapeutic treatment handpiece showing the new design. FIG. 2 is a bottom left perspective view thereof. FIG. 3 is a top view thereof. FIG. 4 is a bottom view. FIG. 5 is a left view. FIG. 6 is a right view. FIG. 7 is an enlarged front view. FIG. 8 is an enlarged rear view. FIG. 9 is an enlarged view of box 9 in FIG. 2; and, FIG. 10 is an enlarged view of box 10 in FIG. 4.

The shorter and lighter dash lines in the drawings depict portions of the ultrasound therapeutic treatment handpiece that form no part of the claimed design. The broken away

(Continued)



symbols in the middle of the cord in FIGS. 1-6, 9, and 10 and any portion of the article beyond what is shown forms no part of the claimed design. The dot dash lines in the drawings depict the boundaries of the enlarged views that form no part of the claimed design.

1 Claim, 10 Drawing Sheets

(58) **Field of Classification Search**

CPC ... A61B 8/4236; A61B 8/4281; A61B 6/4441;
A61B 6/114447; A61N 7/02

See application file for complete search history.

(56) **References Cited**

U.S. PATENT DOCUMENTS

D564,660 S 3/2008 Hayashi
D566,284 S 4/2008 Kitayama et al.

D603,520 S	11/2009	Ninomiya et al.	
D609,814 S *	2/2010	Banryu	D24/187
D630,756 S *	1/2011	Kitayama	D24/187
D637,287 S	5/2011	Mudd	
D656,610 S	3/2012	Kleiner	
D700,343 S	2/2014	Liu	
D700,969 S	3/2014	Kim	
D729,166 S *	5/2015	Baba	D13/133
D811,605 S	2/2018	Chang	
D829,329 S	9/2018	Quam et al.	
D835,283 S	12/2018	Barker et al.	
D835,285 S	12/2018	Barker et al.	
D835,292 S	12/2018	Luzon et al.	
D847,353 S *	4/2019	Hasegawa	D24/187
D861,178 S *	9/2019	Emery	D24/187
D865,163 S *	10/2019	Lambrecht	D24/129
10,426,429 B2 *	10/2019	Kruse	A61B 8/4227
D878,603 S *	3/2020	Zhang	D24/187
D880,703 S *	4/2020	Emery	D24/187
D884,193 S *	5/2020	Robinson	D24/187
D884,703 S *	5/2020	Silver	D14/426
D887,561 S *	6/2020	Cheng	D24/187

* cited by examiner

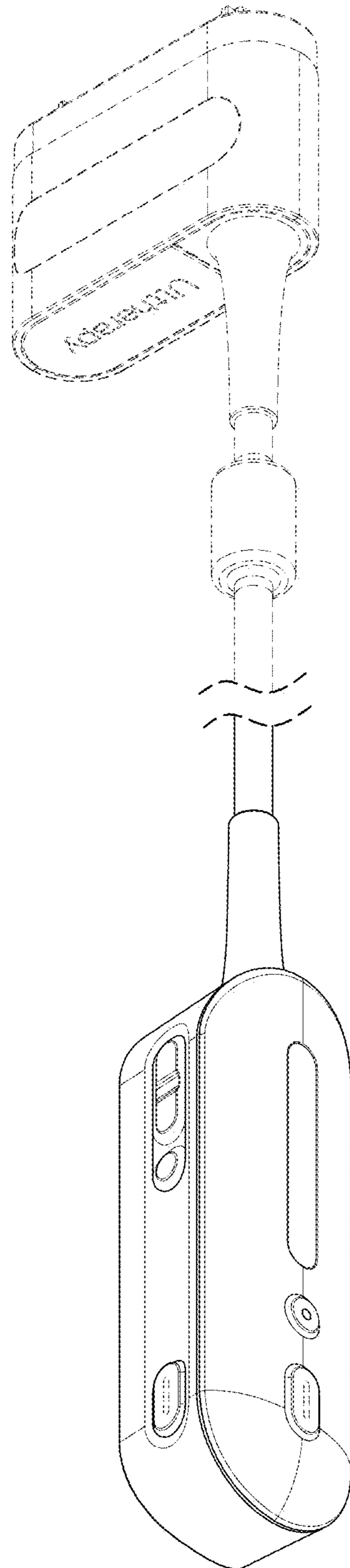


FIG. 1

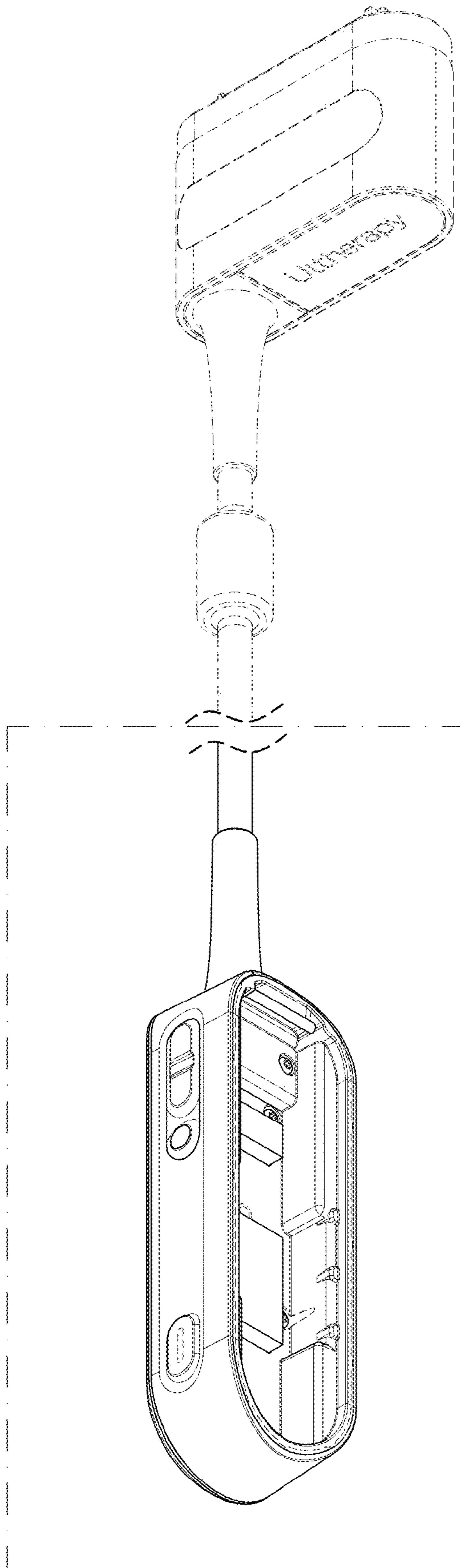


FIG. 2

9

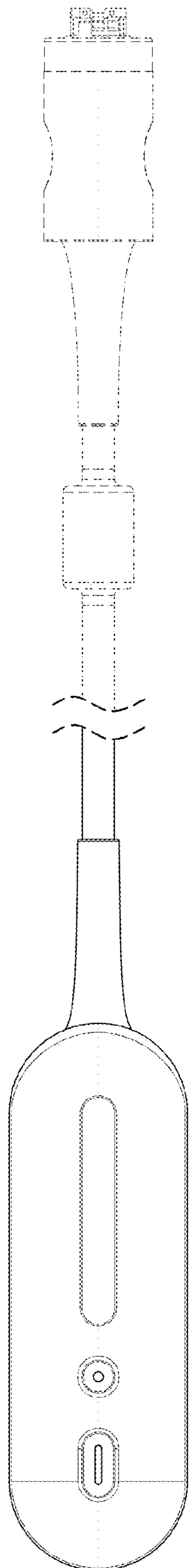
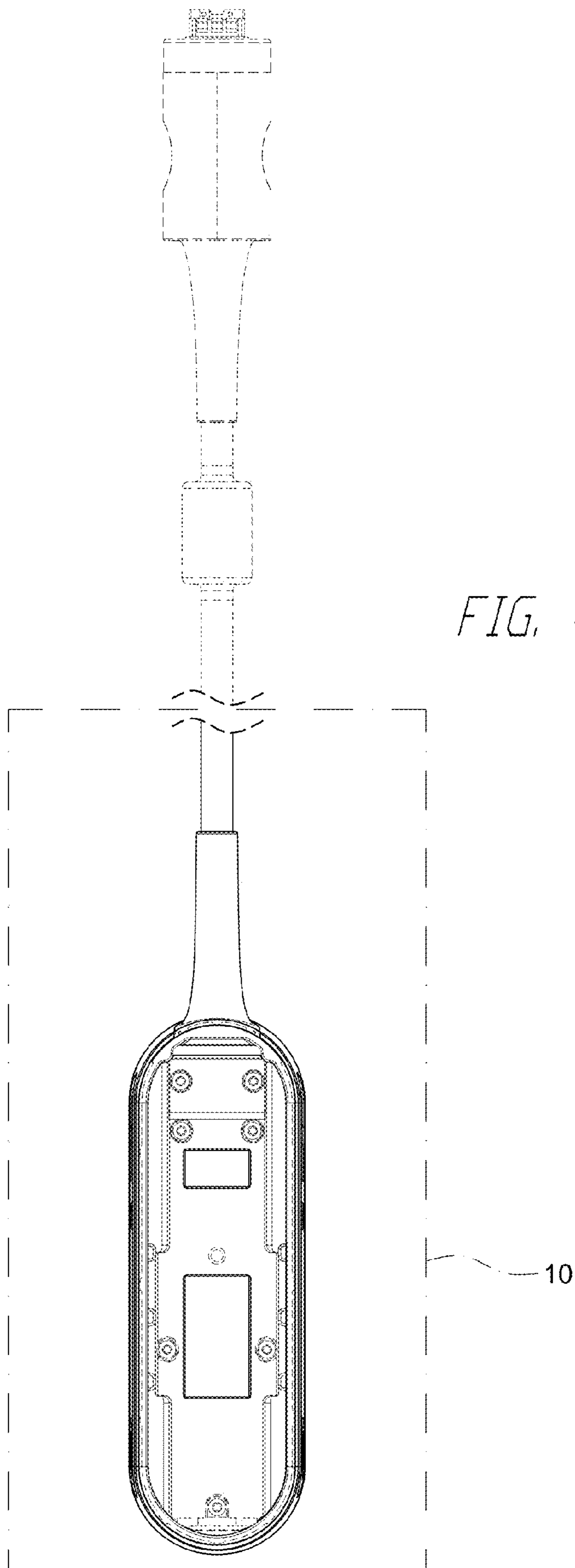


FIG. 3



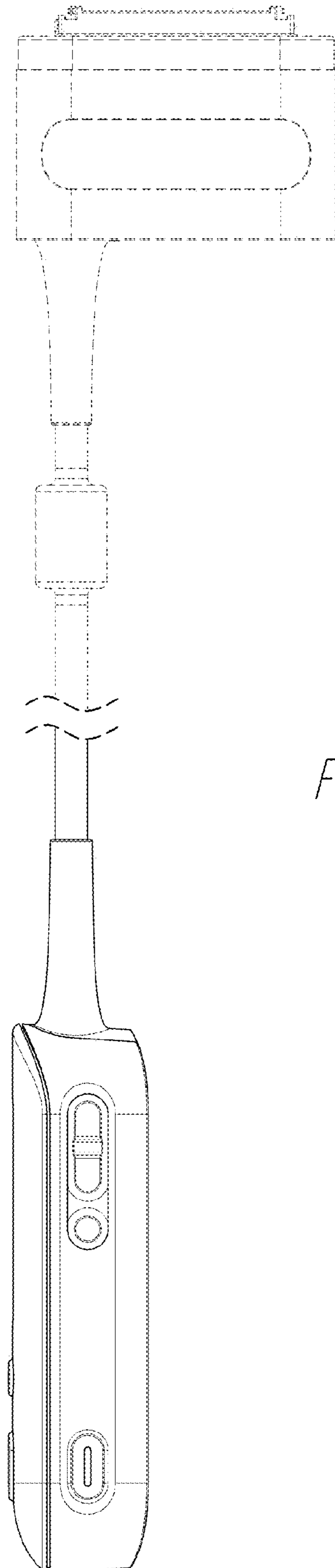


FIG. 5

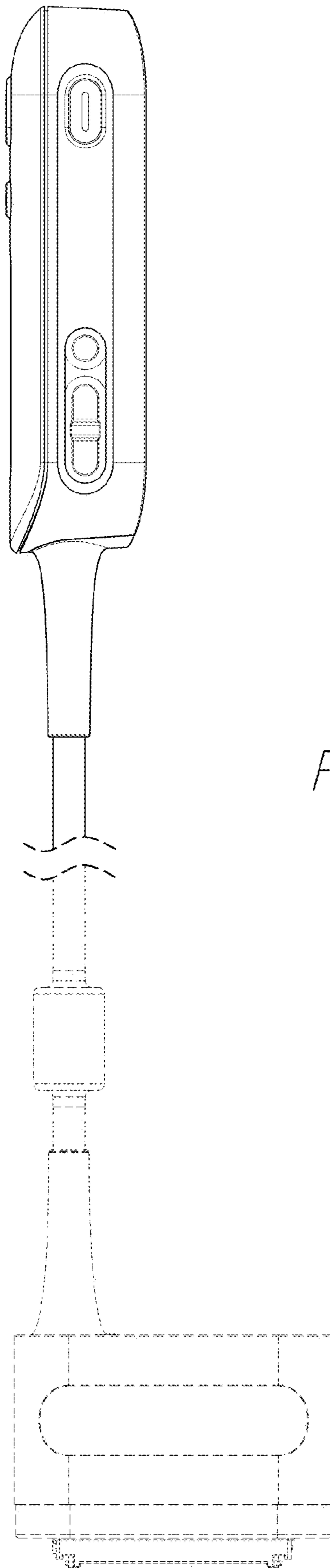


FIG. 6

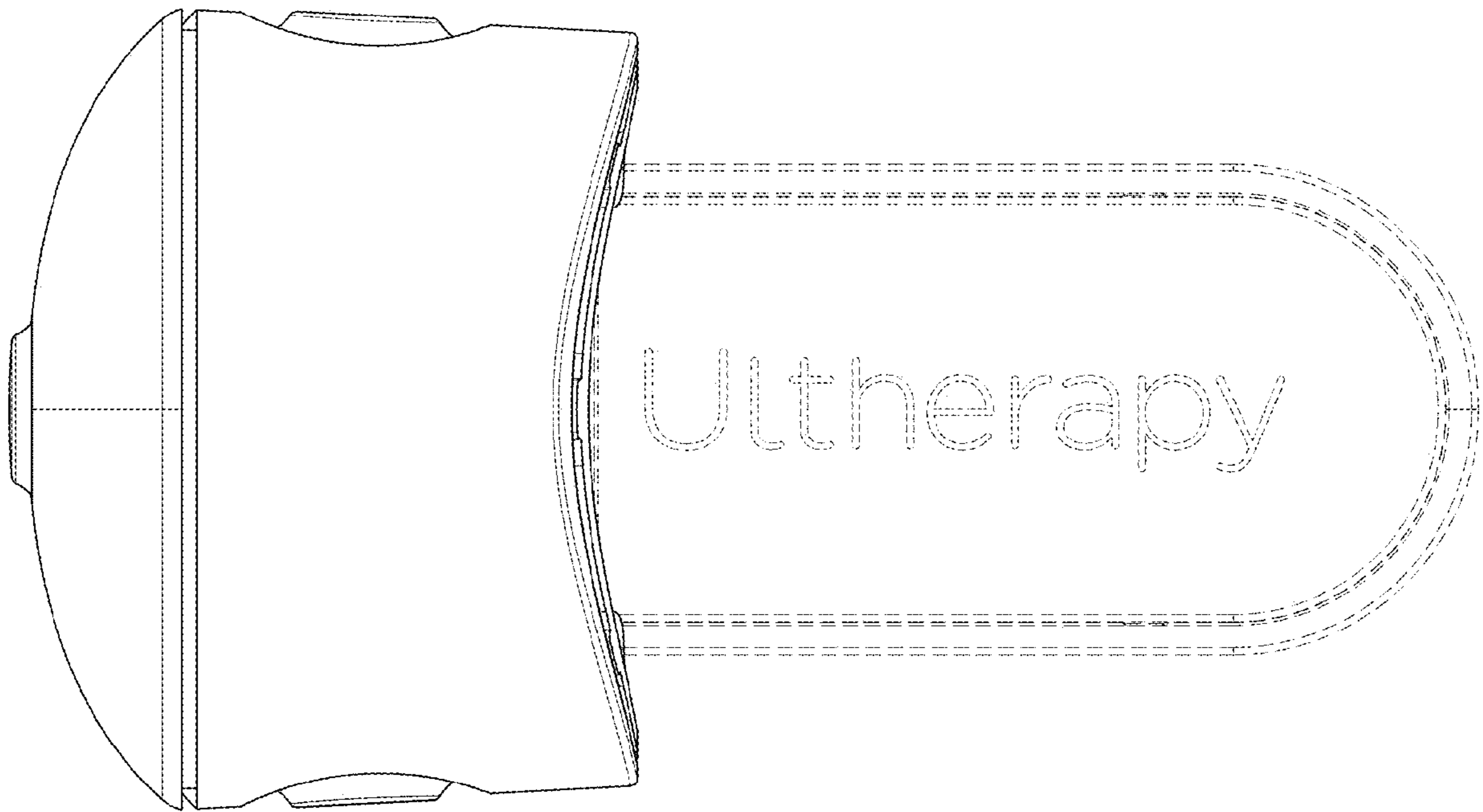


FIG. 7

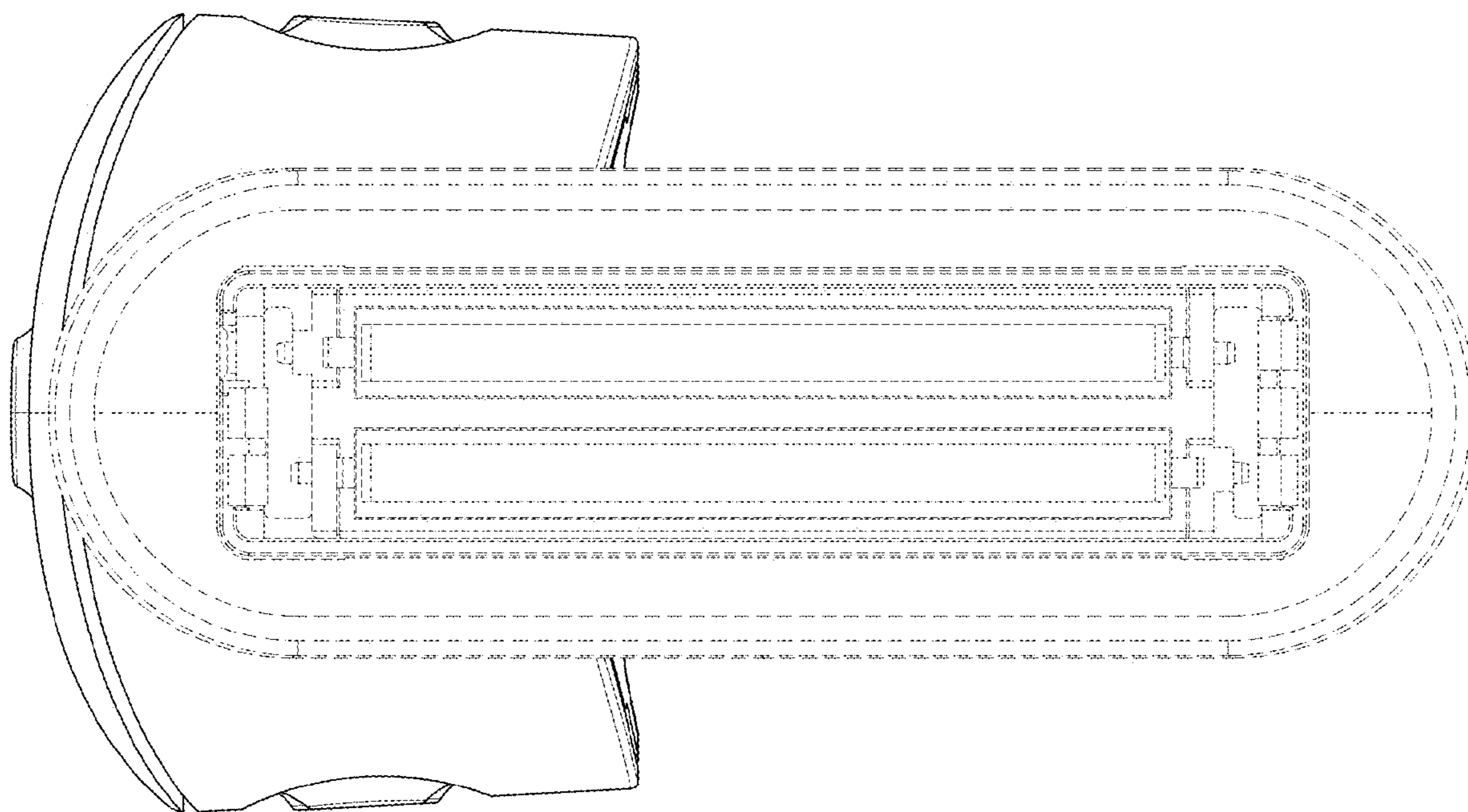


FIG. 8

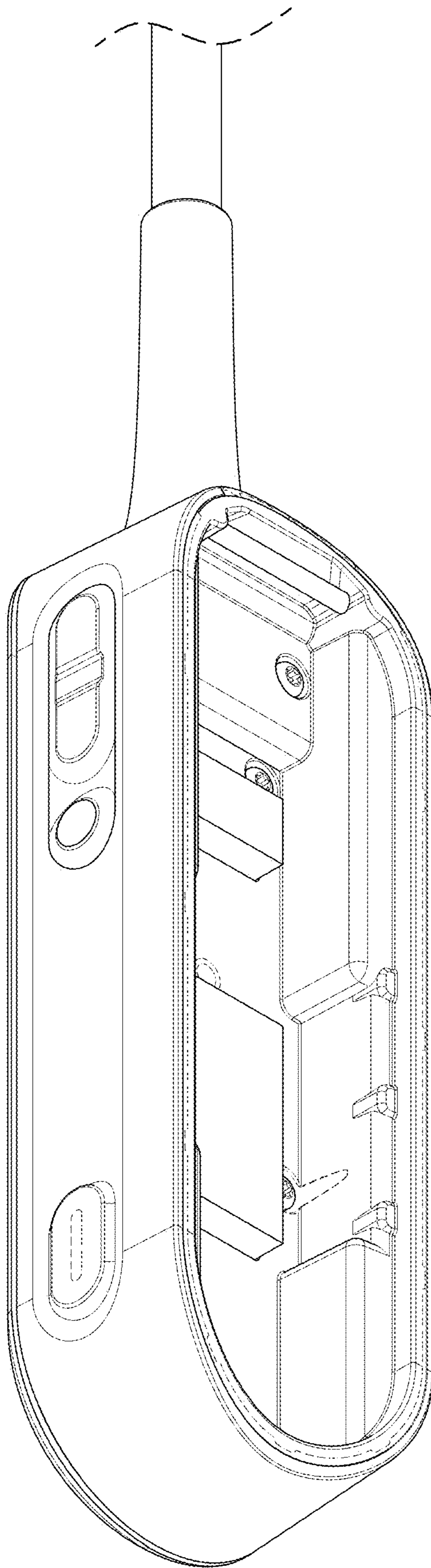


FIG. 9

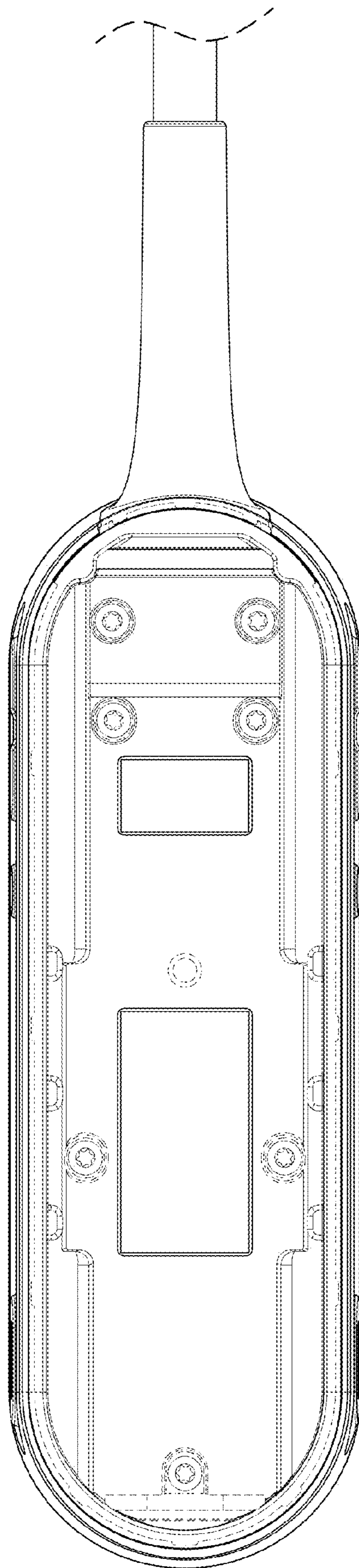


FIG. 10