



US00D900323S

(12) **United States Design Patent** (10) **Patent No.:** **US D900,323 S**  
**Wang et al.** (45) **Date of Patent:** **\*\* Oct. 27, 2020**

(54) **SINGLE HEAD PUMP UNIT**  
(71) Applicant: **Avent, Inc.**, Alpharetta, GA (US)  
(72) Inventors: **Ruoya Wang**, Decatur, GA (US);  
**Preston A. Moeller**, Alpharetta, GA (US)

7,857,756 B2 12/2010 Warren et al.  
8,361,063 B2 1/2013 Godara  
D730,525 S \* 5/2015 Acker ..... D24/164  
9,072,540 B2 7/2015 Jarnagin et al.  
D742,013 S \* 10/2015 Helgeson ..... D24/164  
(Continued)

(73) Assignee: **Avent, Inc.**, Alpharetta, GA (US)  
(\*\*) Term: **15 Years**

FOREIGN PATENT DOCUMENTS

EP 2 977 021 A1 1/2016  
WO WO 03/000316 A1 1/2003  
(Continued)

(21) Appl. No.: **29/675,051**

*Primary Examiner* — Wan Laymon  
(74) *Attorney, Agent, or Firm* — Dority & Manning, P.A.

(22) Filed: **Dec. 28, 2018**

(57) **CLAIM**

(51) **LOC (12) Cl.** ..... **24-02**

The ornamental design for a single head pump unit, as shown and described.

(52) **U.S. Cl.**

**DESCRIPTION**

USPC ..... **D24/170**

(58) **Field of Classification Search**

USPC ..... D24/144, 170, 164–165, 185–186, 111,  
D24/108; 606/33; 604/67, 151, 154  
CPC . A61B 18/1492; A61B 18/10; A61B 18/1206;  
A61B 18/18; A61B 18/1815; A61B  
2018/00577; A61B 2018/00583; A61B  
2018/1823; A61B 2018/1853; A61M  
5/142; A61M 5/14228; A61M 5/14232;  
A61M 5/14248; A61M 5/14566; A61M  
5/14244; A61M 1/1039

See application file for complete search history.

FIG. 1 is a front perspective view of a single head pump unit according to the present design;  
FIG. 2 is a rear perspective view of the single head pump unit of FIG. 1;  
FIG. 3 is a front view of the single head pump unit of FIG. 1;  
FIG. 4 is a rear view of the single head pump unit of FIG. 1;  
FIG. 5 is a right side view of the single head pump unit of FIG. 1;  
FIG. 6 is a left side view of the single head pump unit of FIG. 1;  
FIG. 7 is a top view of the single head pump unit of FIG. 1; and,  
FIG. 8 is a bottom view of the single head pump unit of FIG. 1.

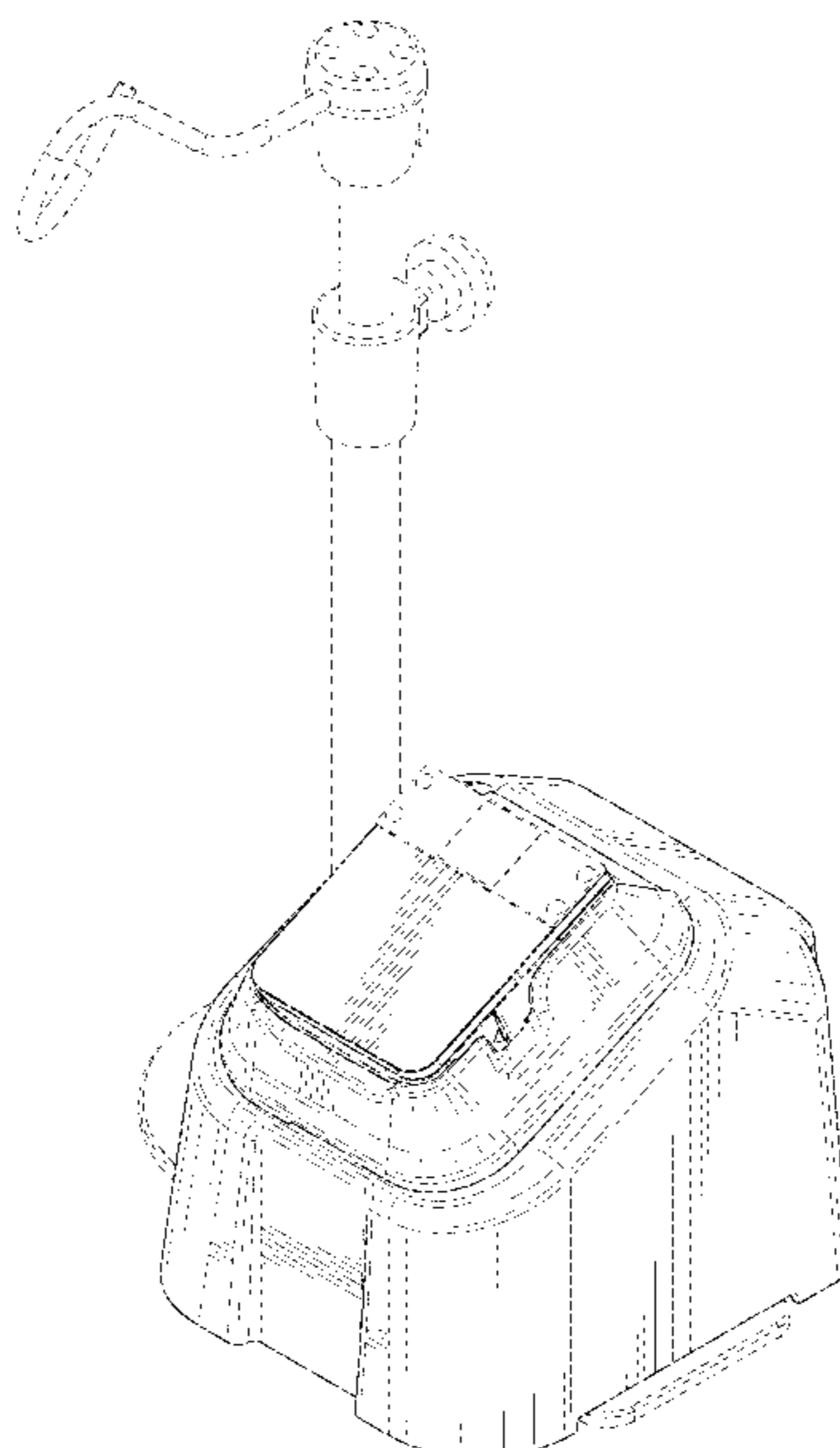
(56) **References Cited**

U.S. PATENT DOCUMENTS

5,158,528 A \* 10/1992 Walker ..... A61M 5/142  
417/411  
5,334,181 A 8/1994 Rubinsky et al.  
D352,778 S \* 11/1994 Irvin ..... D24/111  
D446,854 S \* 8/2001 Cheney, II ..... D24/108  
7,004,961 B2 2/2006 Wong et al.  
7,344,499 B1 3/2008 Prausnitz et al.  
7,771,420 B2 8/2010 Butty et al.

The broken lines depicting the IV pole, the IV pole base, the screws, the feet, and portions of the single head pump unit are included for the purpose of illustrating environmental subject matter and form no part of the claimed design.

**1 Claim, 7 Drawing Sheets**



(56)

**References Cited**

U.S. PATENT DOCUMENTS

9,480,528 B2 11/2016 Turovskiy et al.  
9,603,990 B2 3/2017 Woolford  
9,662,169 B2 5/2017 Schultz et al.  
9,956,032 B1 5/2018 Cosman et al.  
D875,255 S \* 2/2020 Wang ..... D24/170  
2003/0199794 A1 10/2003 Sakurai et al.  
2005/0096549 A1 5/2005 Gerber et al.  
2007/0098565 A1\* 5/2007 Parsee ..... A61M 5/14228  
417/44.1  
2013/0030426 A1 1/2013 Gallardo et al.  
2013/0267894 A1\* 10/2013 Woolford ..... A61B 18/148  
604/264

FOREIGN PATENT DOCUMENTS

WO WO 2010/018569 A1 2/2010  
WO WO 2017/039570 A1 3/2017

\* cited by examiner

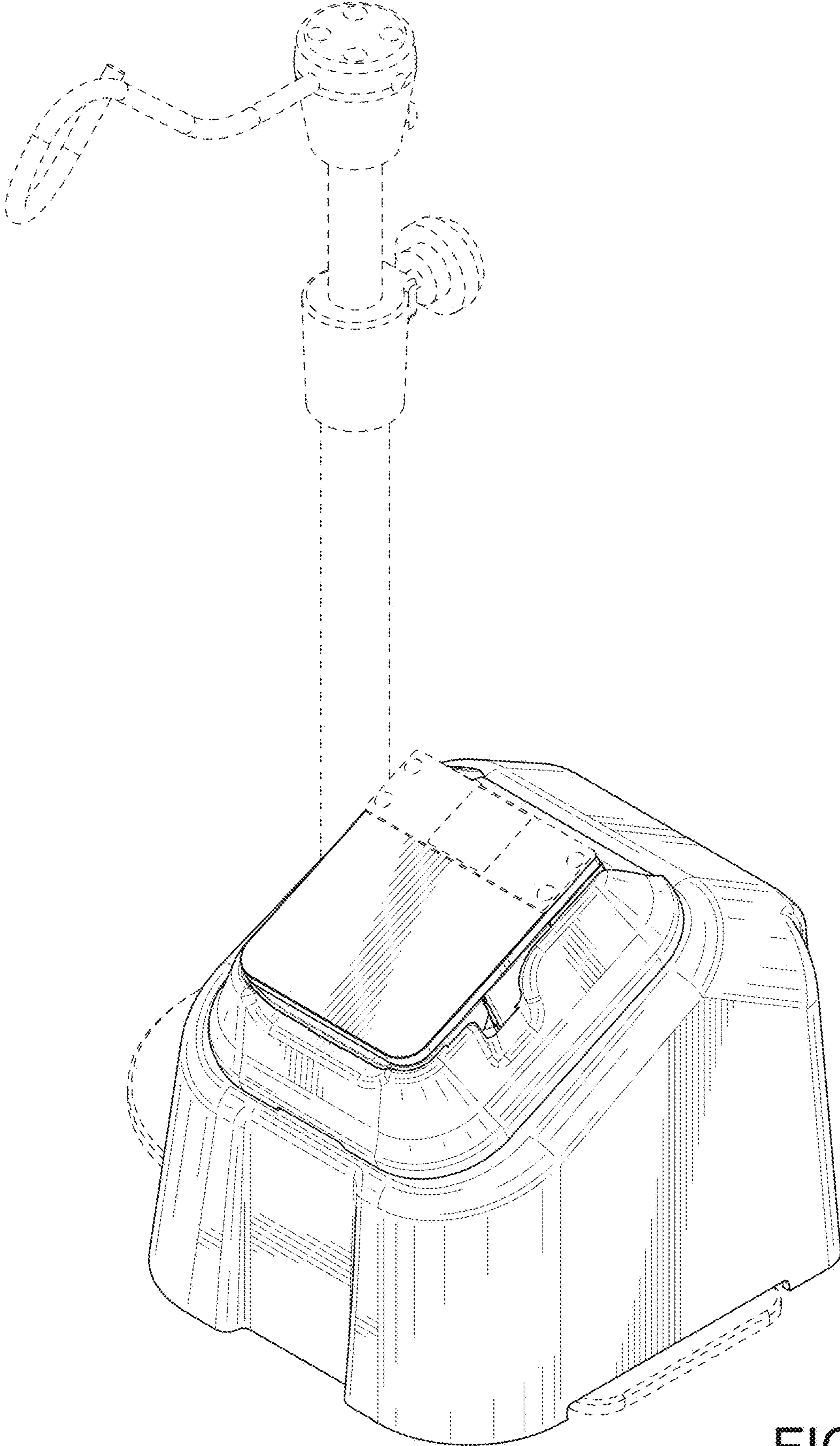


FIG. 1

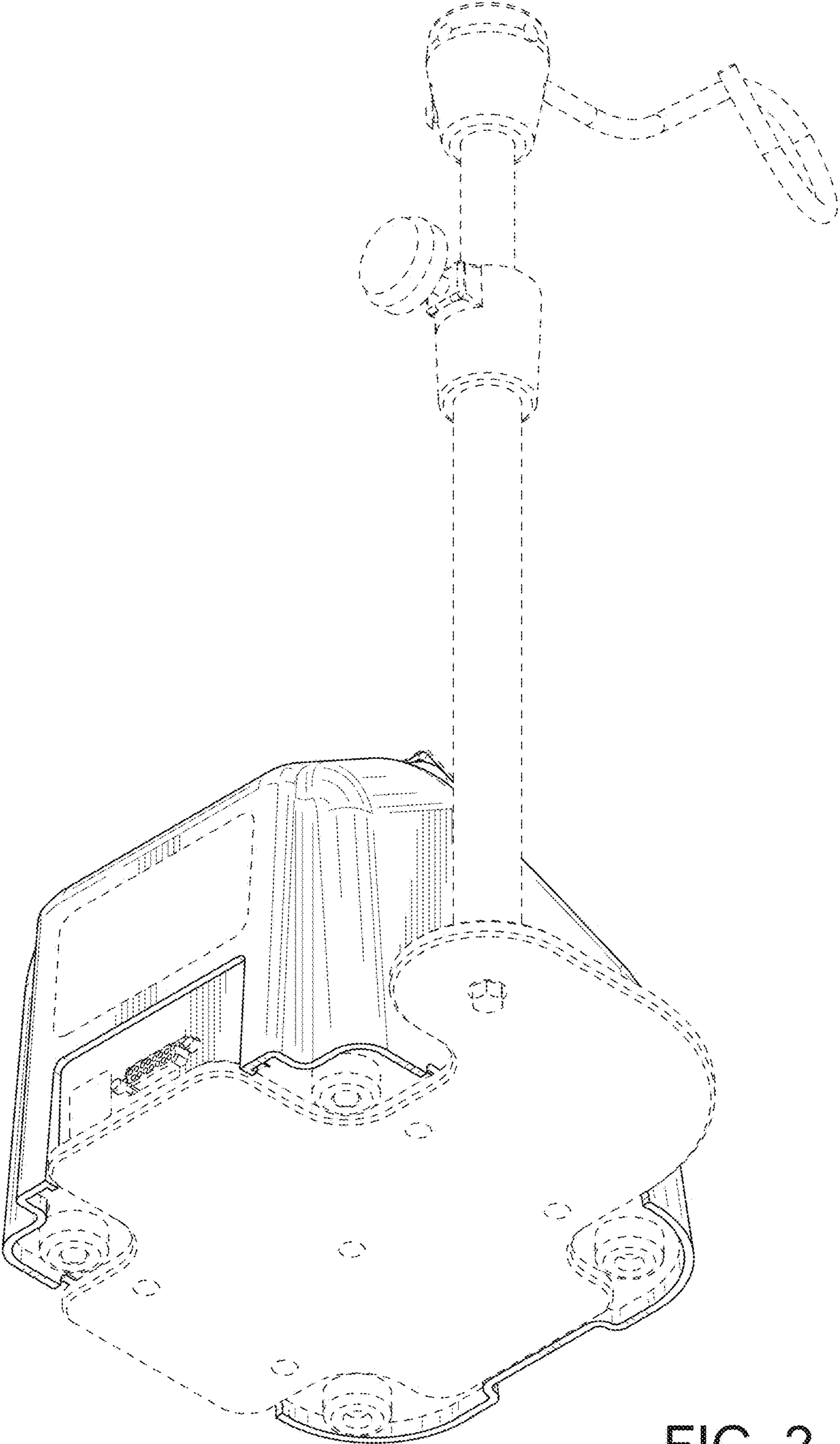


FIG. 2

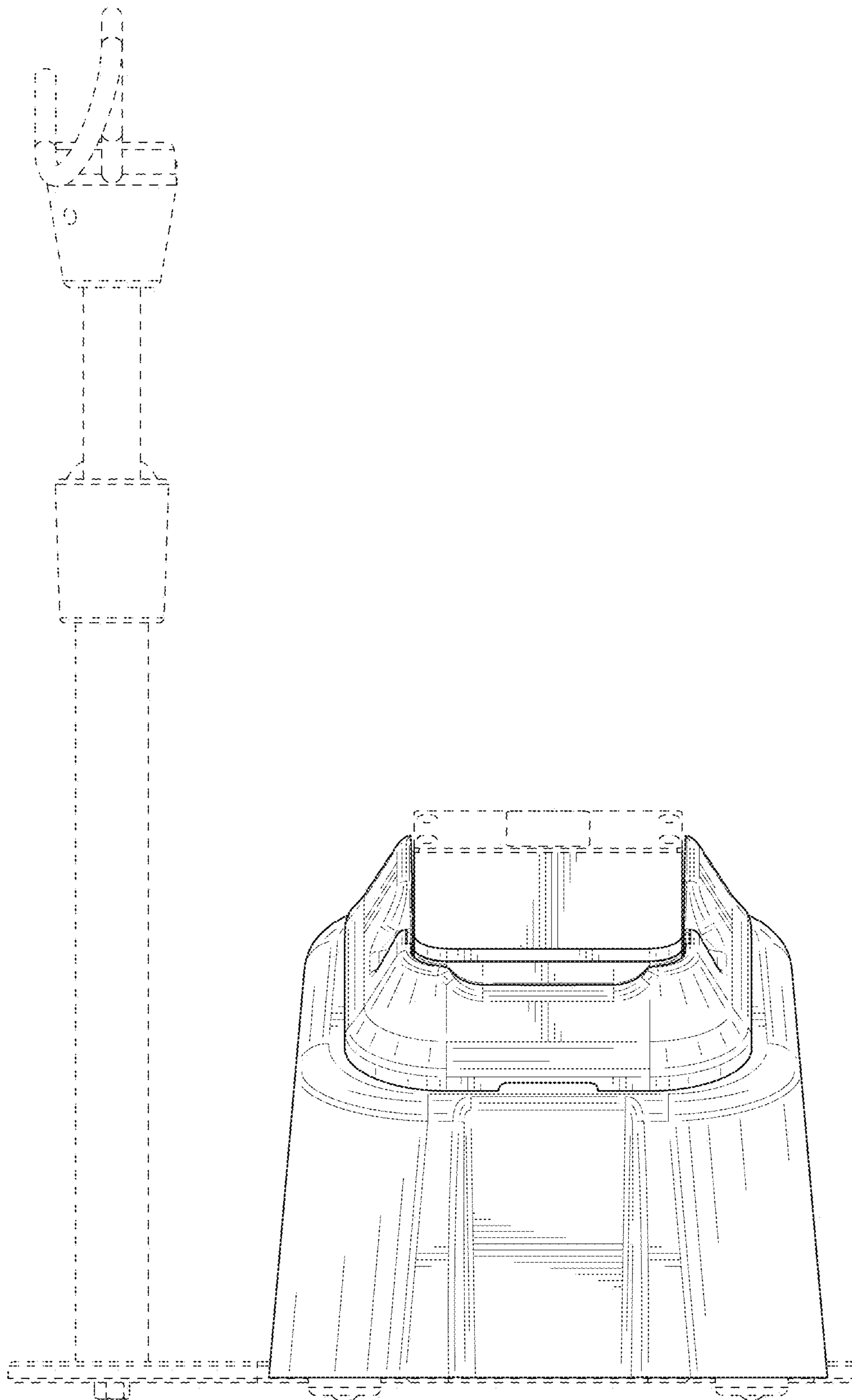


FIG. 3

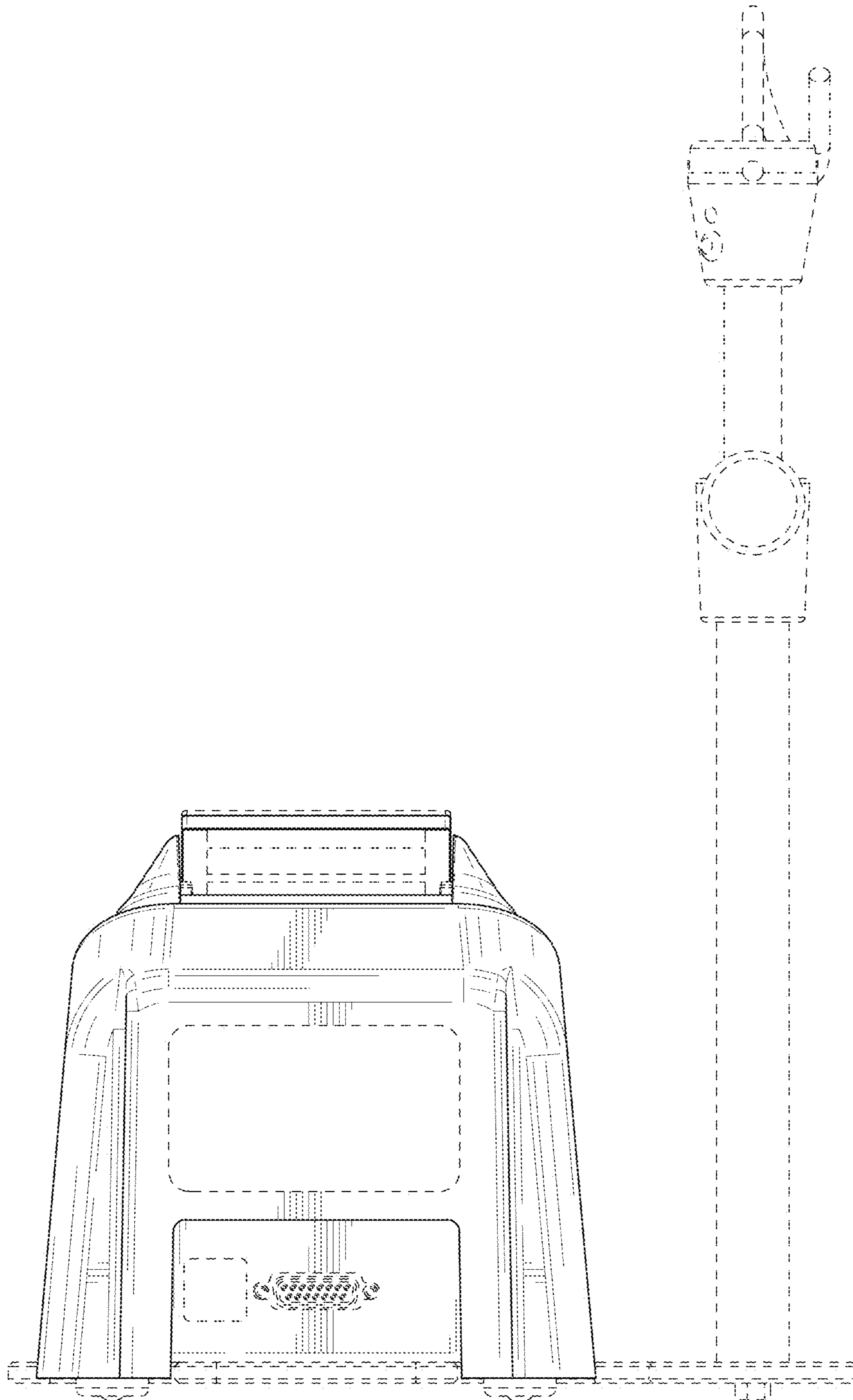


FIG. 4

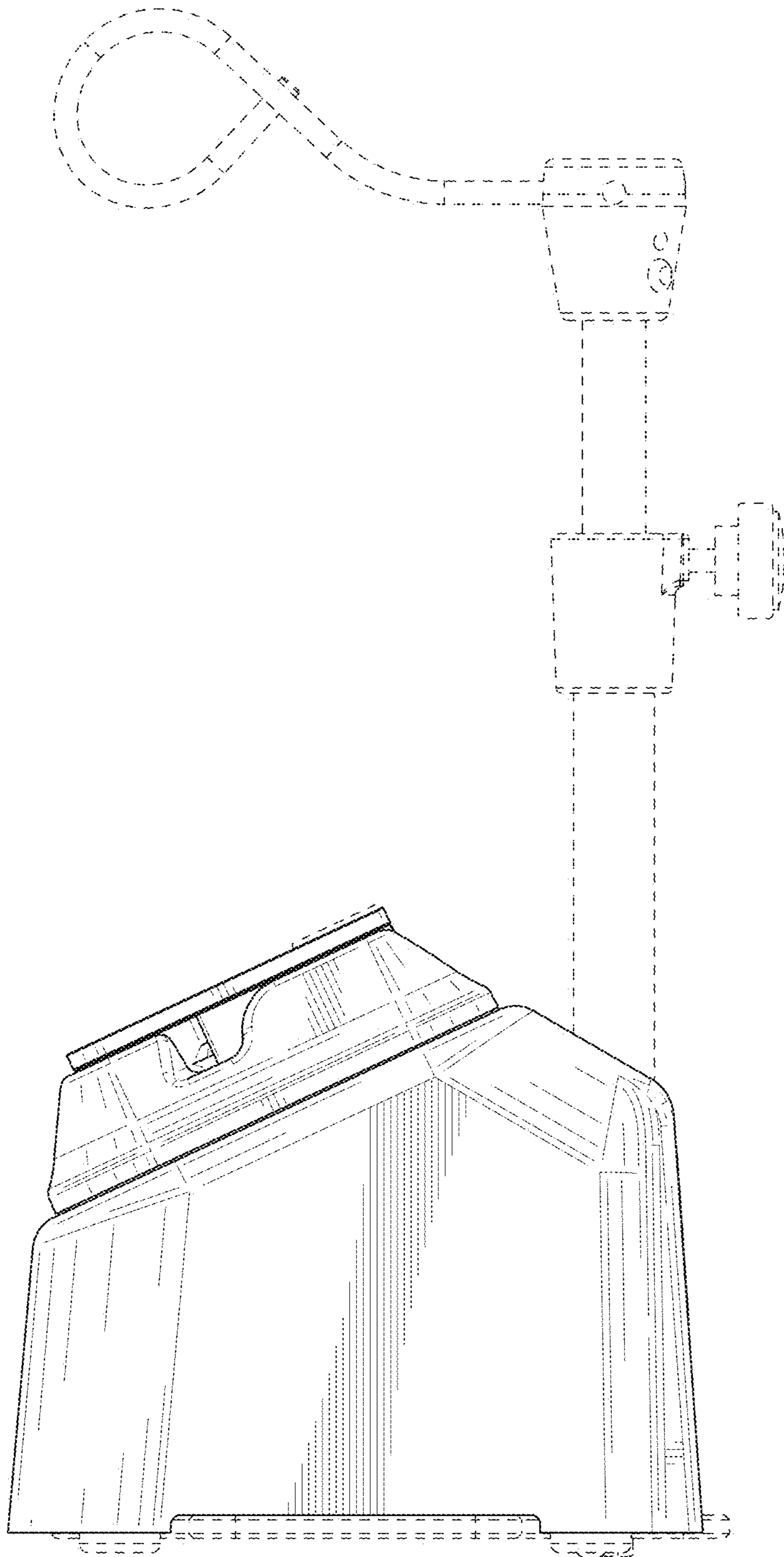


FIG. 5

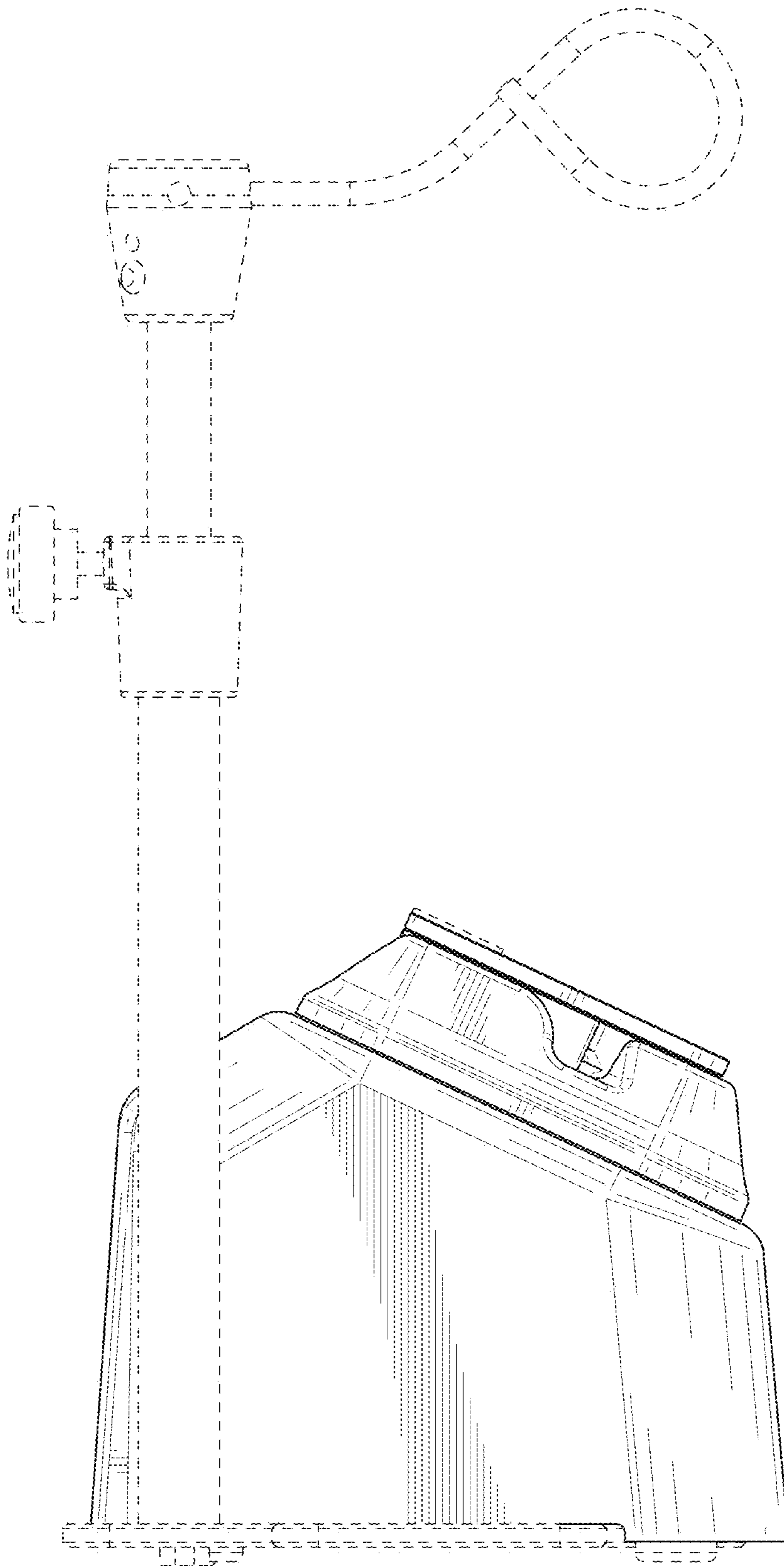


FIG. 6



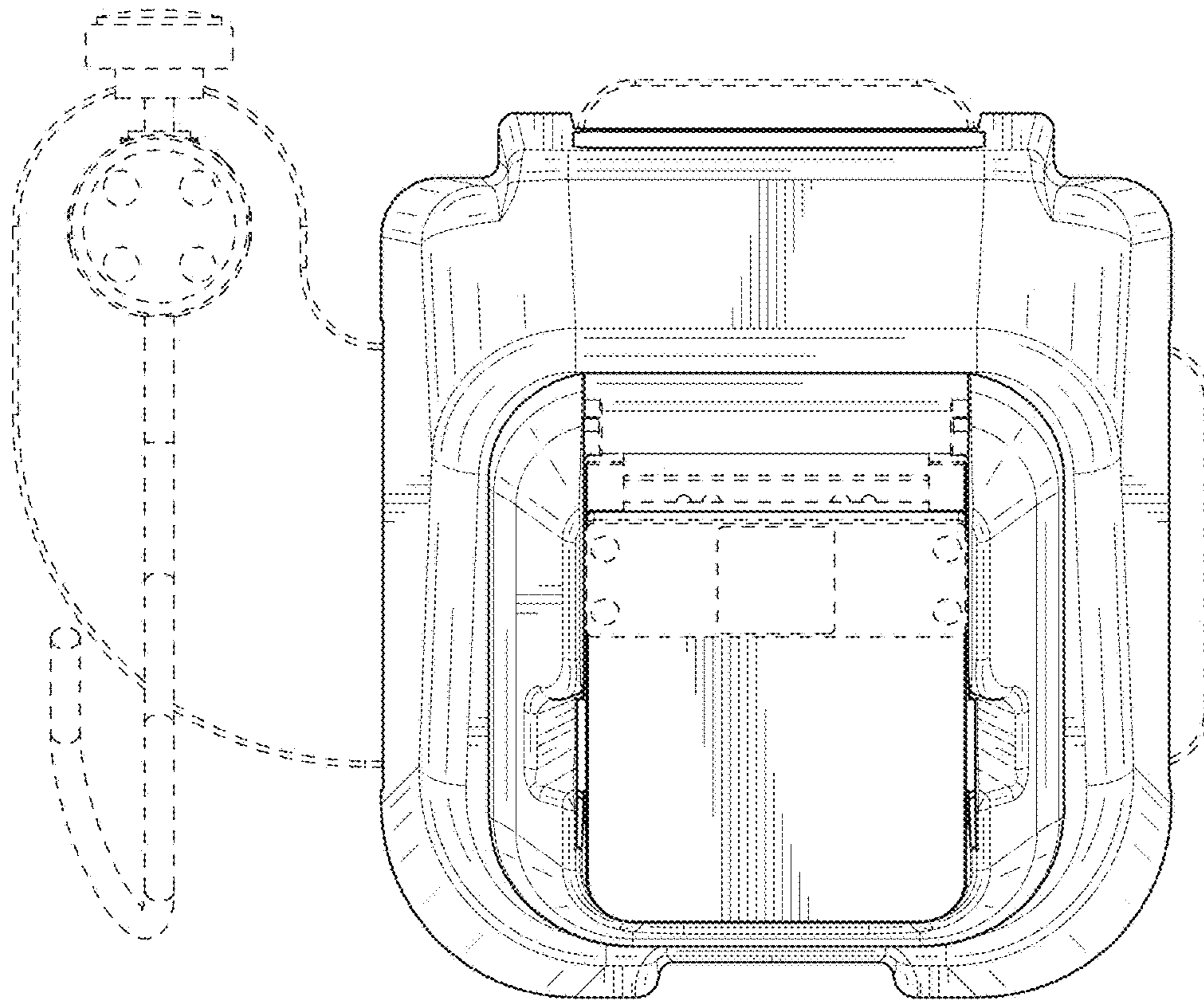


FIG. 7

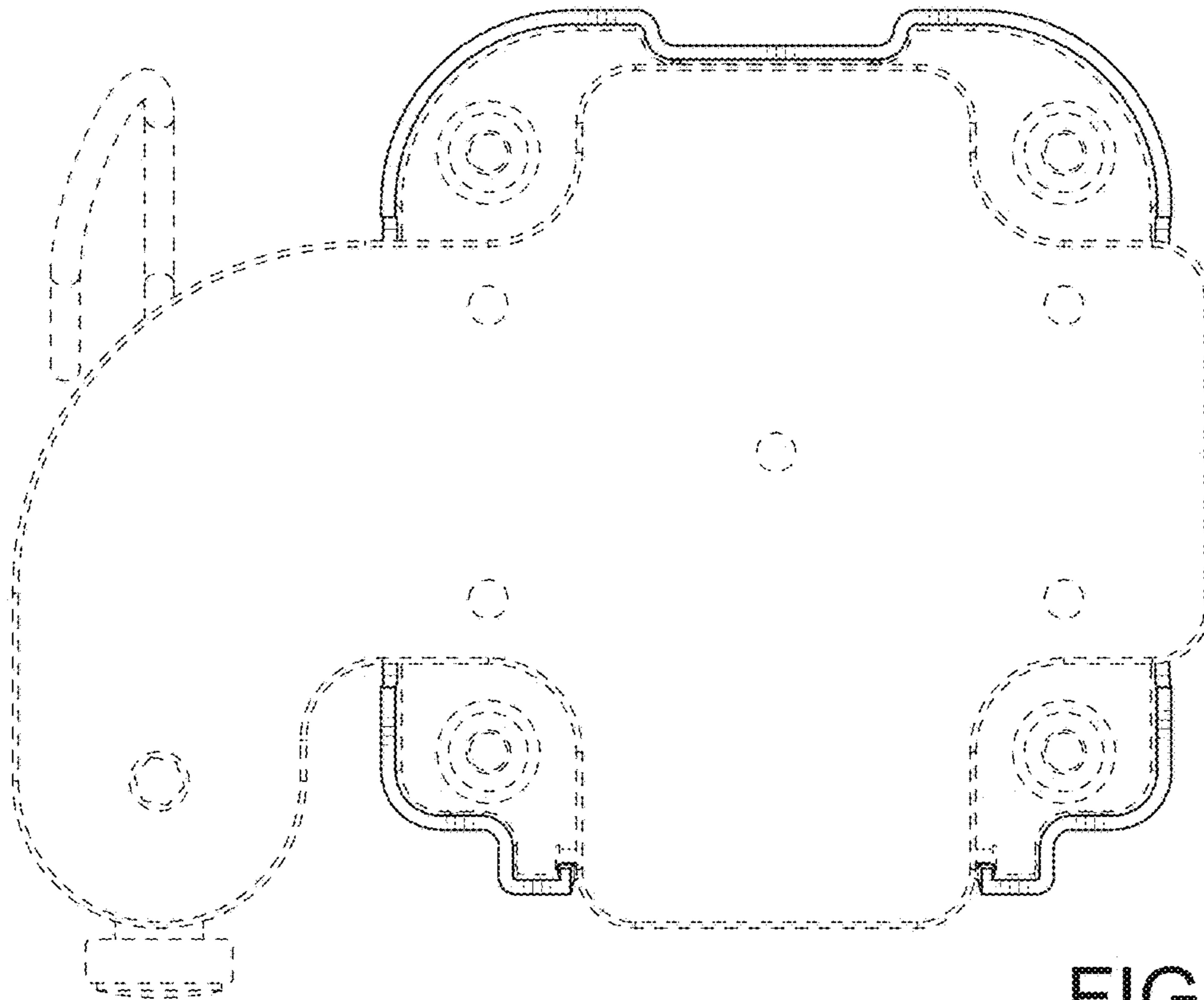


FIG. 8