



US00D900322S

(12) **United States Design Patent**
Wang et al.

(10) **Patent No.:** **US D900,322 S**
(45) **Date of Patent:** **** Oct. 27, 2020**

(54) **RADIOFREQUENCY ABLATION PUMP AND GENERATOR ASSEMBLY**

9,072,540 B2 7/2015 Jamagin et al.
9,480,528 B2 11/2016 Turovskiy et al.
9,603,990 B2 3/2017 Woolford

(Continued)

(71) Applicant: **Avent, Inc.**, Alpharetta, GA (US)

(72) Inventors: **Ruoya Wang**, Decatur, GA (US);
Kun-Chi Wu, Johns Creek, GA (US);
Travis W. Klyber, Roswell, GA (US);
Steven Vordenberg, Amherst, NH (US);
Scott Woodruff, Chicago, IL (US)

FOREIGN PATENT DOCUMENTS

EP 2 977 021 A1 1/2016
WO WO 03/000316 A1 1/2003

(Continued)

Primary Examiner — Wan Laymon

(74) *Attorney, Agent, or Firm* — Dority & Manning, P.A.

(73) Assignee: **Avent, Inc.**, Alpharetta, GA (US)

(**) Term: **15 Years**

(57) **CLAIM**

The ornamental design for a radiofrequency ablation pump and generator assembly, as shown and described.

(21) Appl. No.: **29/675,050**

DESCRIPTION

(22) Filed: **Dec. 28, 2018**

(51) **LOC (12) Cl.** **24-02**

(52) **U.S. Cl.**
USPC **D24/170**

(58) **Field of Classification Search**
USPC D24/144, 170, 164–165, 185–186, 111,
D24/108; 606/33; 604/67, 151, 154
CPC . A61B 18/1492; A61B 18/10; A61B 18/1206;
A61B 18/18; A61B 18/1815; A61B
2018/00577; A61B 2018/00583; A61B
2018/1823; A61B 2018/1853
See application file for complete search history.

FIG. 1 is a front perspective view of a pump and generator assembly according to the present design;
FIG. 2 is a rear perspective view of the pump and generator assembly of FIG. 1;
FIG. 3 is a front view of the pump and generator assembly of FIG. 1;
FIG. 4 is a right side view of the pump and generator assembly of FIG. 1;
FIG. 5 is a left side view of the pump and generator assembly of FIG. 1;
FIG. 6 is a rear view of the pump and generator assembly of FIG. 1;
FIG. 7 is a top view of the pump and generator assembly of FIG. 1; and,
FIG. 8 is a bottom view of the pump and generator assembly of FIG. 1.

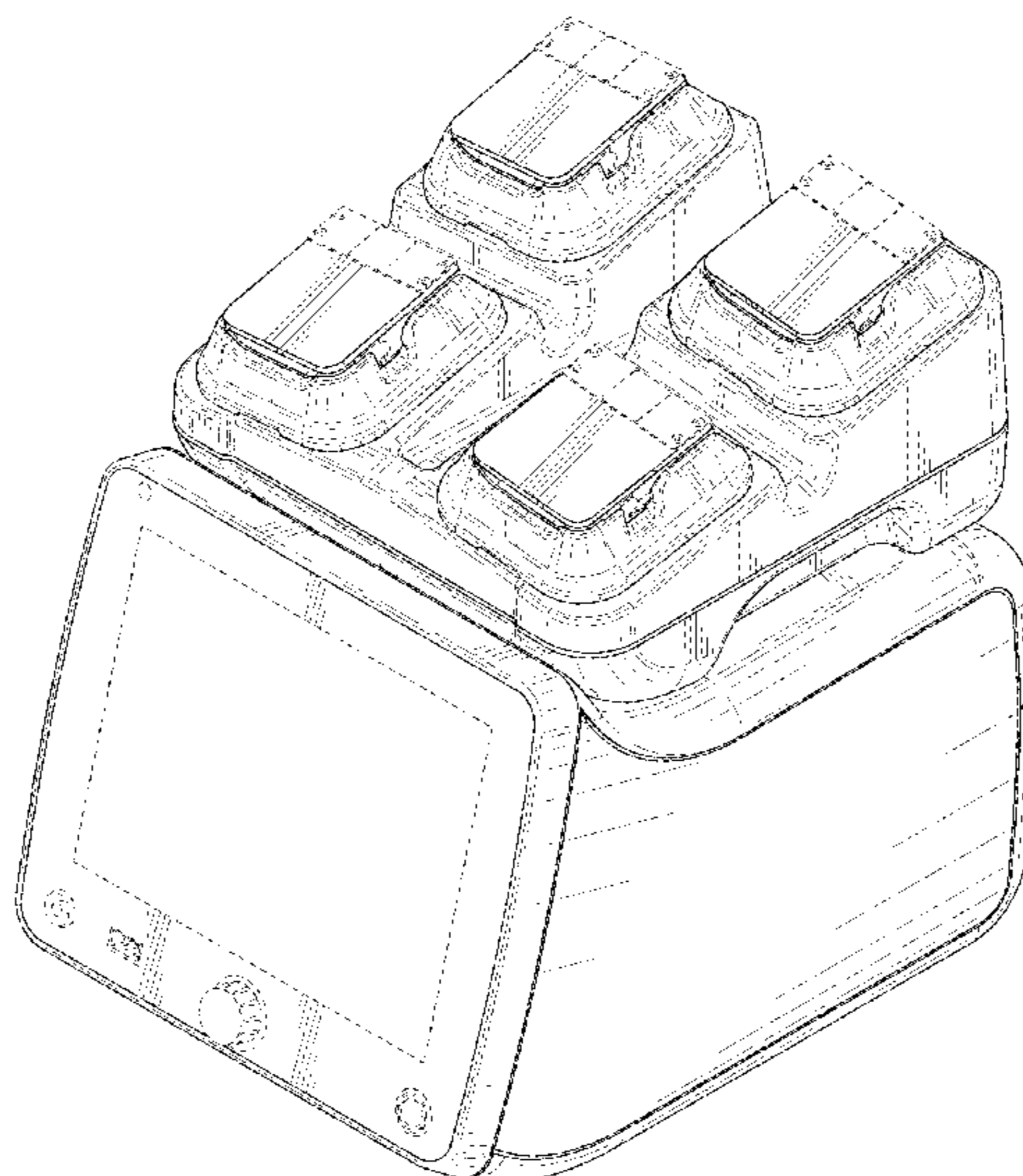
The broken lines depicting the screws, the knobs, the ports, and portions of the radiofrequency ablation pump and generator assembly are included for the purpose of illustrating environmental subject matter and form no part of the claimed design.

(56) **References Cited**

U.S. PATENT DOCUMENTS

5,334,181 A 8/1994 Rubinsky et al.
7,004,961 B2 2/2006 Wong et al.
7,344,499 B1 3/2008 Prausnitz et al.
7,771,420 B2 8/2010 Butty et al.
7,857,756 B2 12/2010 Warren et al.
8,361,063 B2 1/2013 Godara
D730,525 S * 5/2015 Acker D24/164
9,050,097 B1 * 6/2015 McMillan A61B 18/1402

1 Claim, 8 Drawing Sheets



(56)

References Cited

U.S. PATENT DOCUMENTS

9,662,169 B2 5/2017 Schultz et al.
9,956,032 B1 5/2018 Cosman et al.
D875,255 S * 2/2020 Wang D24/170
2003/0199794 A1 10/2003 Sakurai et al.
2005/0096549 A1 5/2005 Gerber et al.
2005/0113818 A1* 5/2005 Sartor A61B 18/1206
606/34
2010/0076372 A1* 3/2010 Hacker A61M 3/0258
604/67
2013/0030426 A1 1/2013 Gallardo et al.
2013/0267892 A1* 10/2013 Woolford A61B 18/14
604/151
2013/0267894 A1* 10/2013 Woolford A61B 18/148
604/264
2017/0156783 A1* 6/2017 McKernon A61B 18/1206
2018/0228947 A1* 8/2018 Woolford A61B 18/148

FOREIGN PATENT DOCUMENTS

WO WO 2010/018569 A1 2/2010
WO WO 2017/039570 A1 3/2017

* cited by examiner

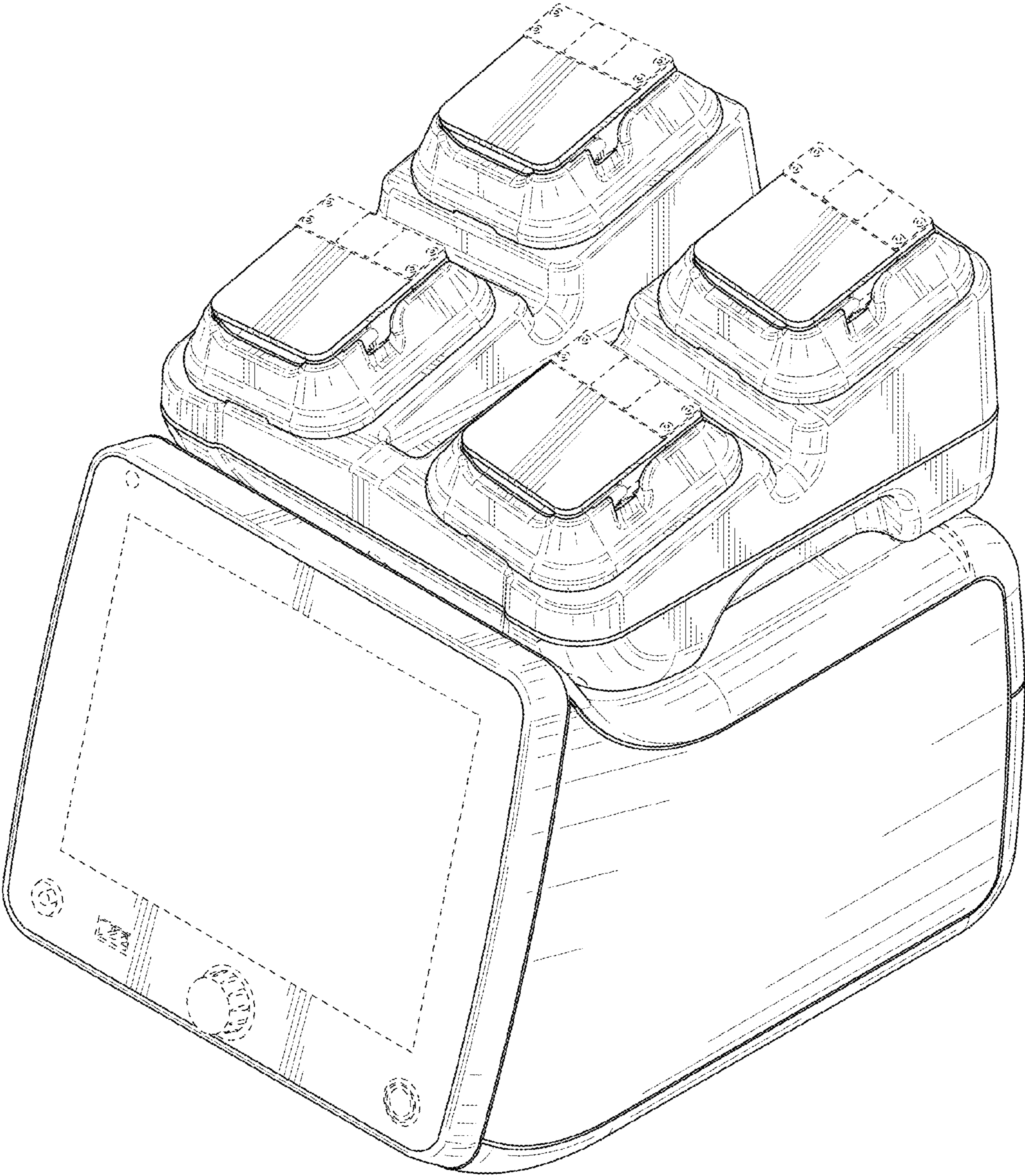


FIG. 1

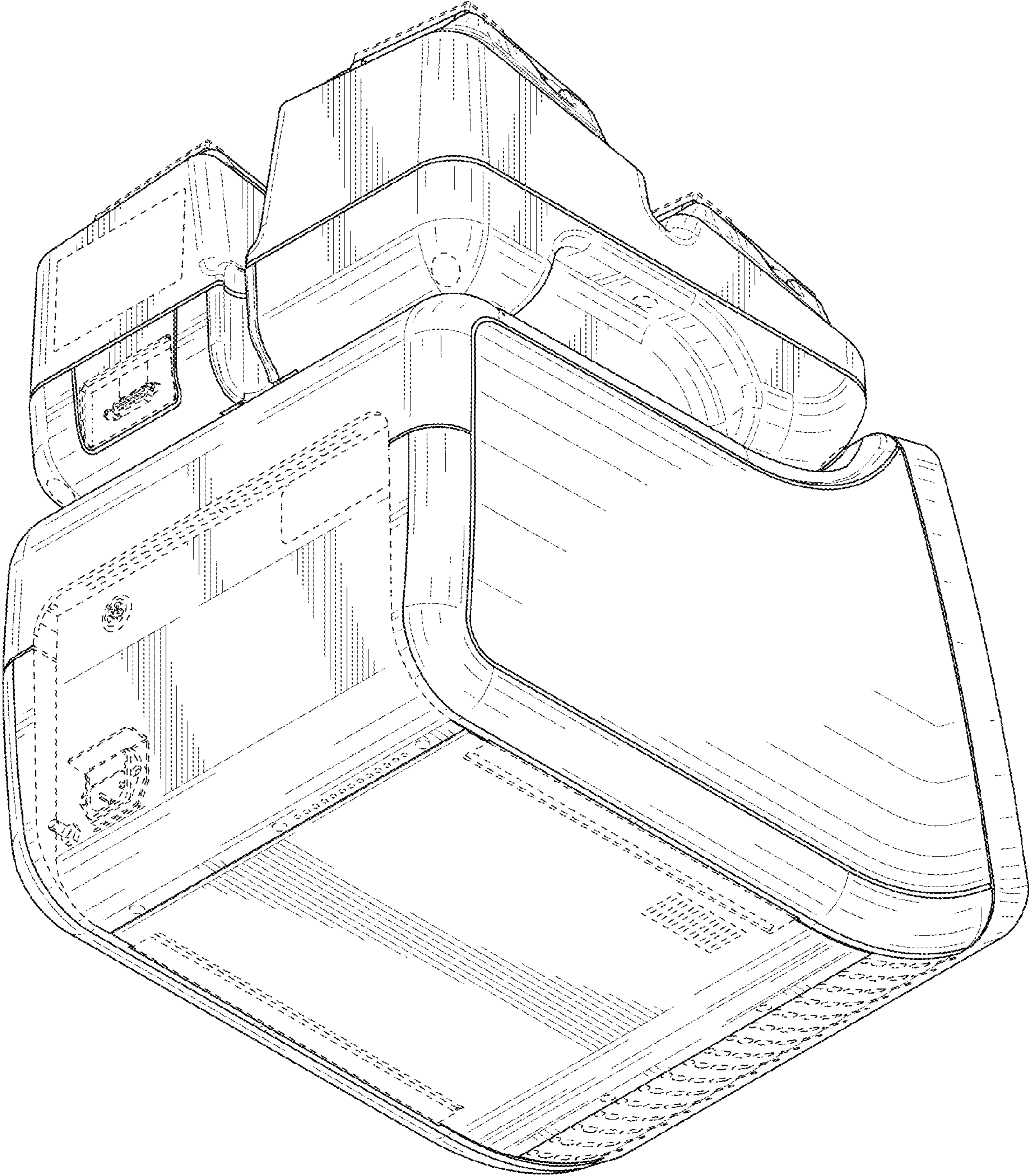


FIG. 2

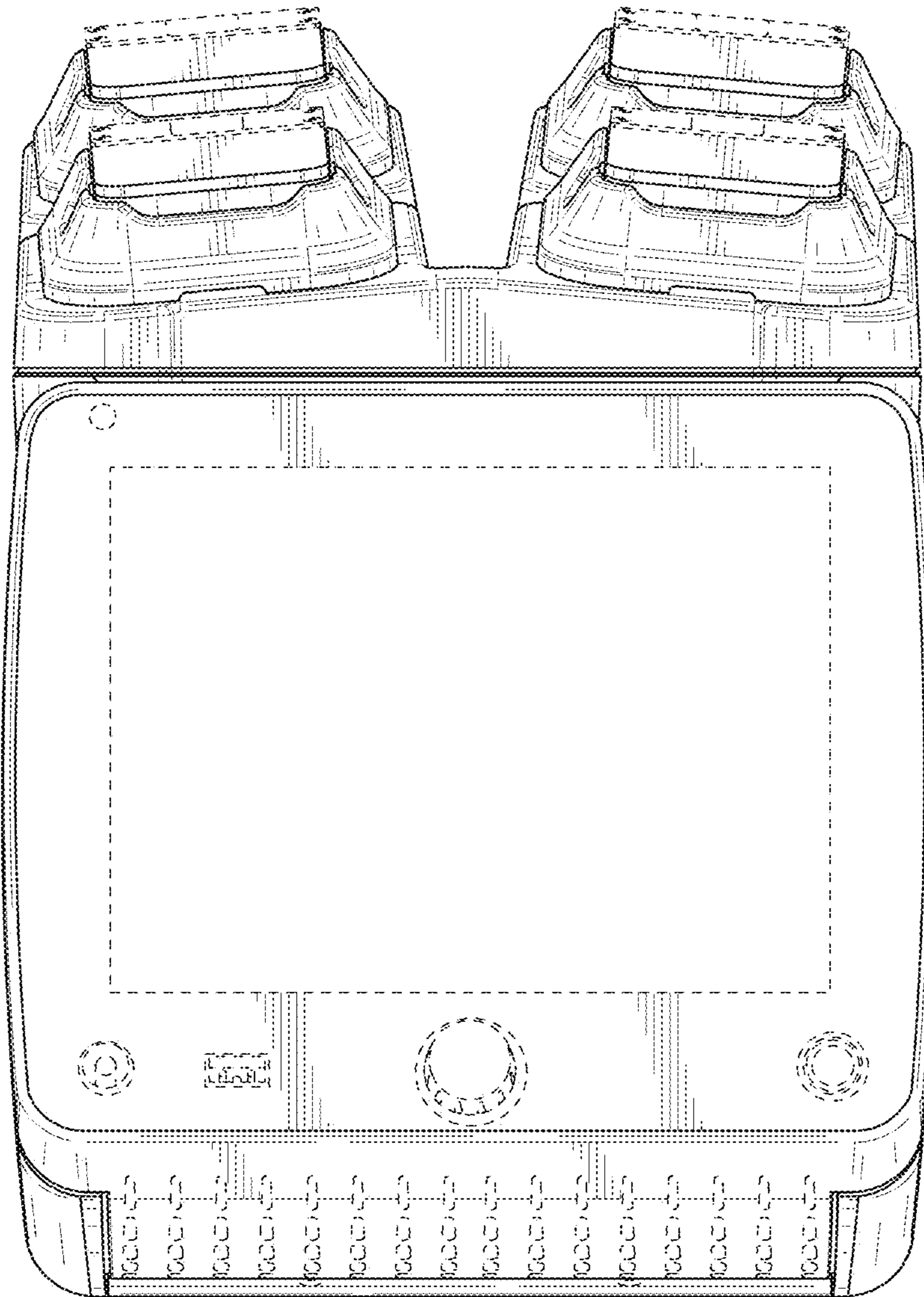


FIG. 3

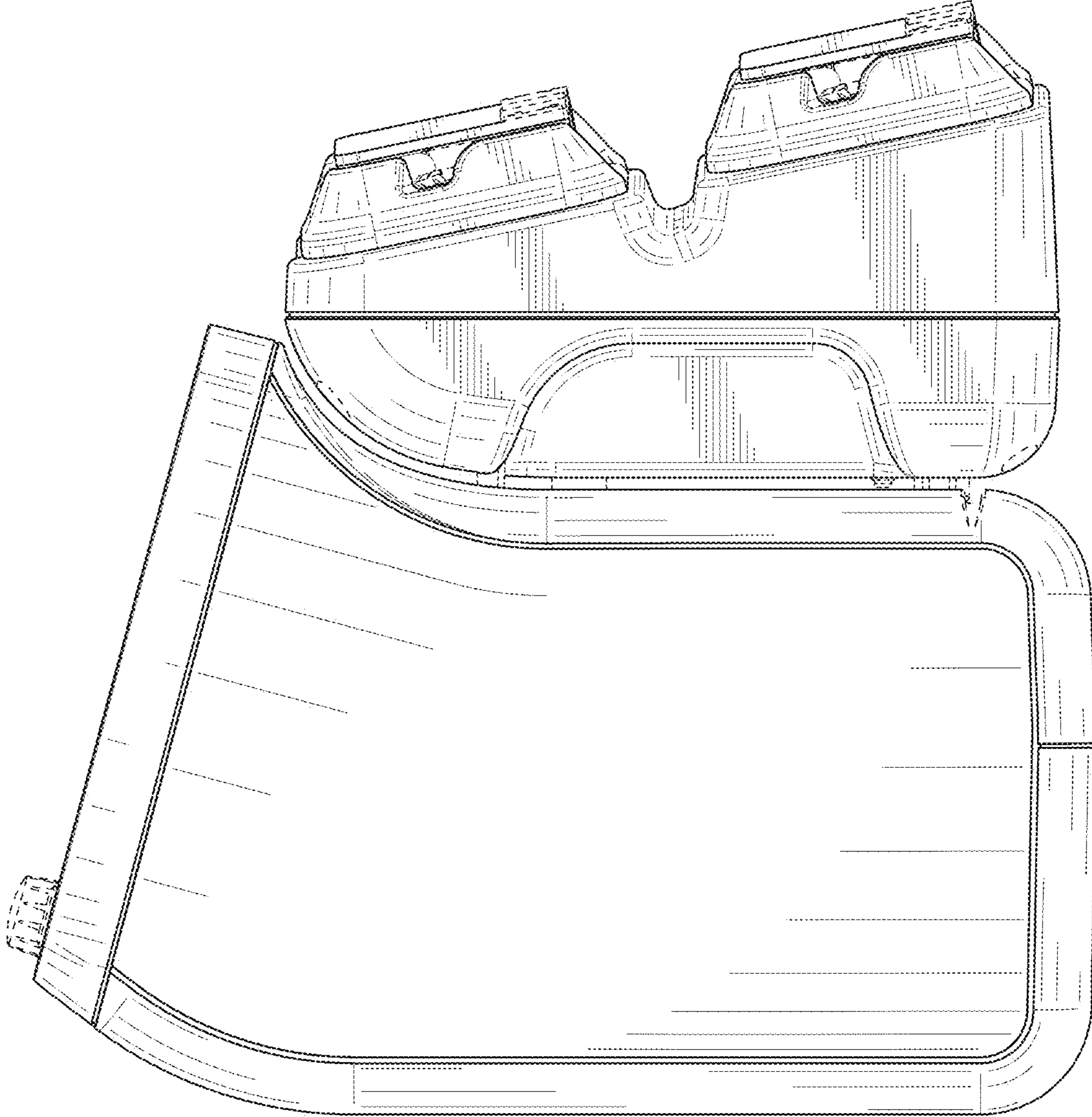


FIG. 4

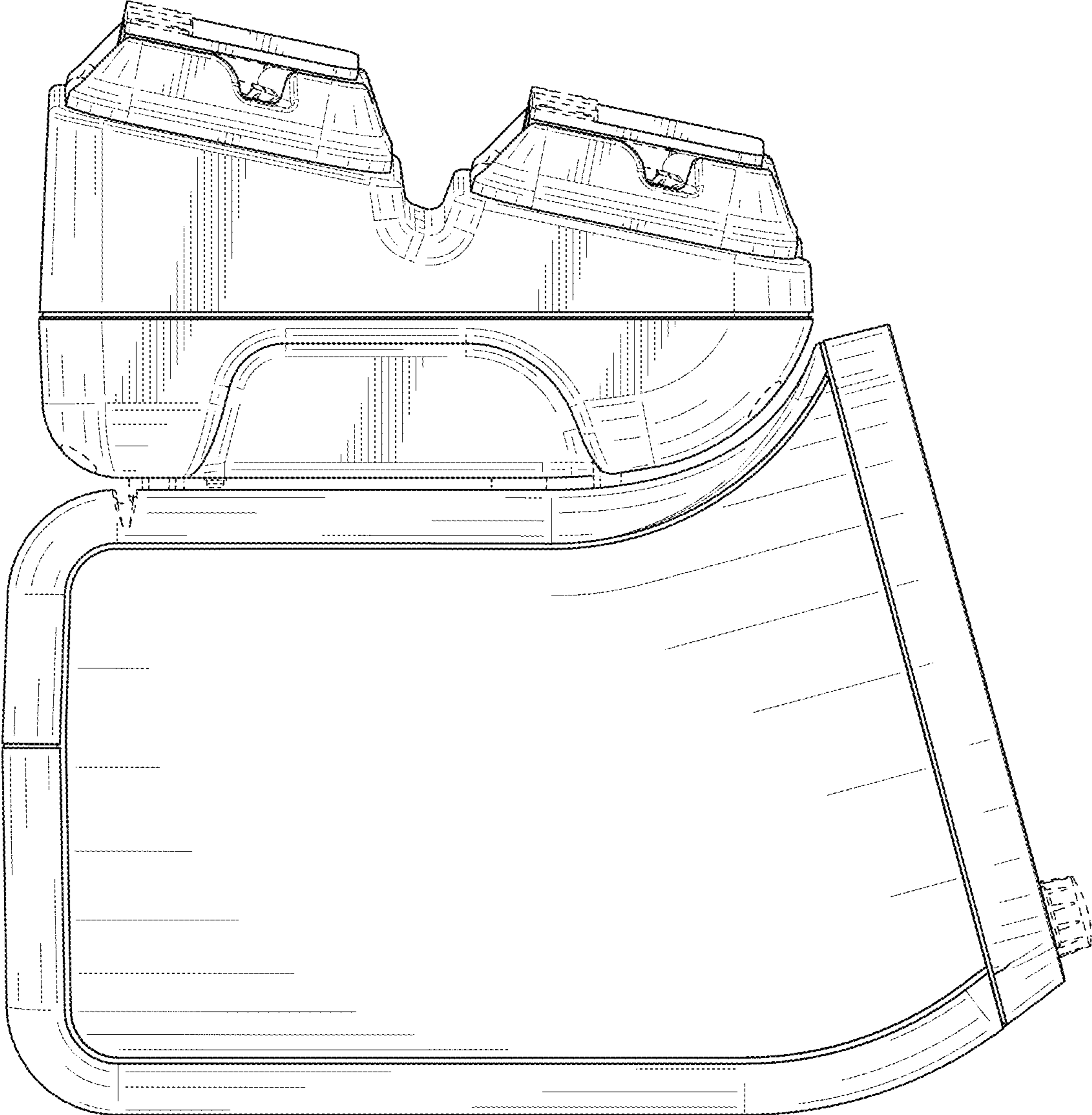


FIG. 5

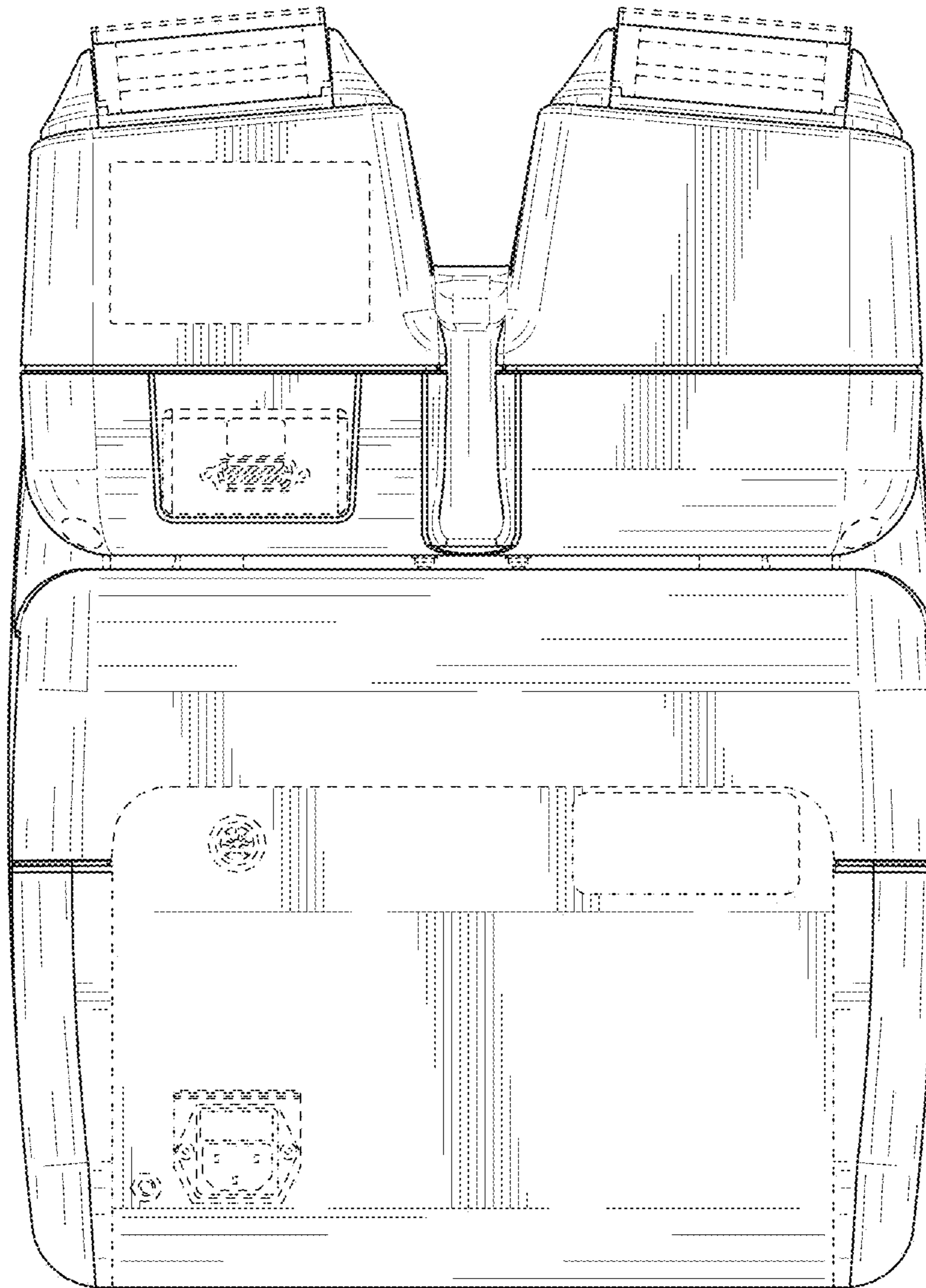


FIG. 6

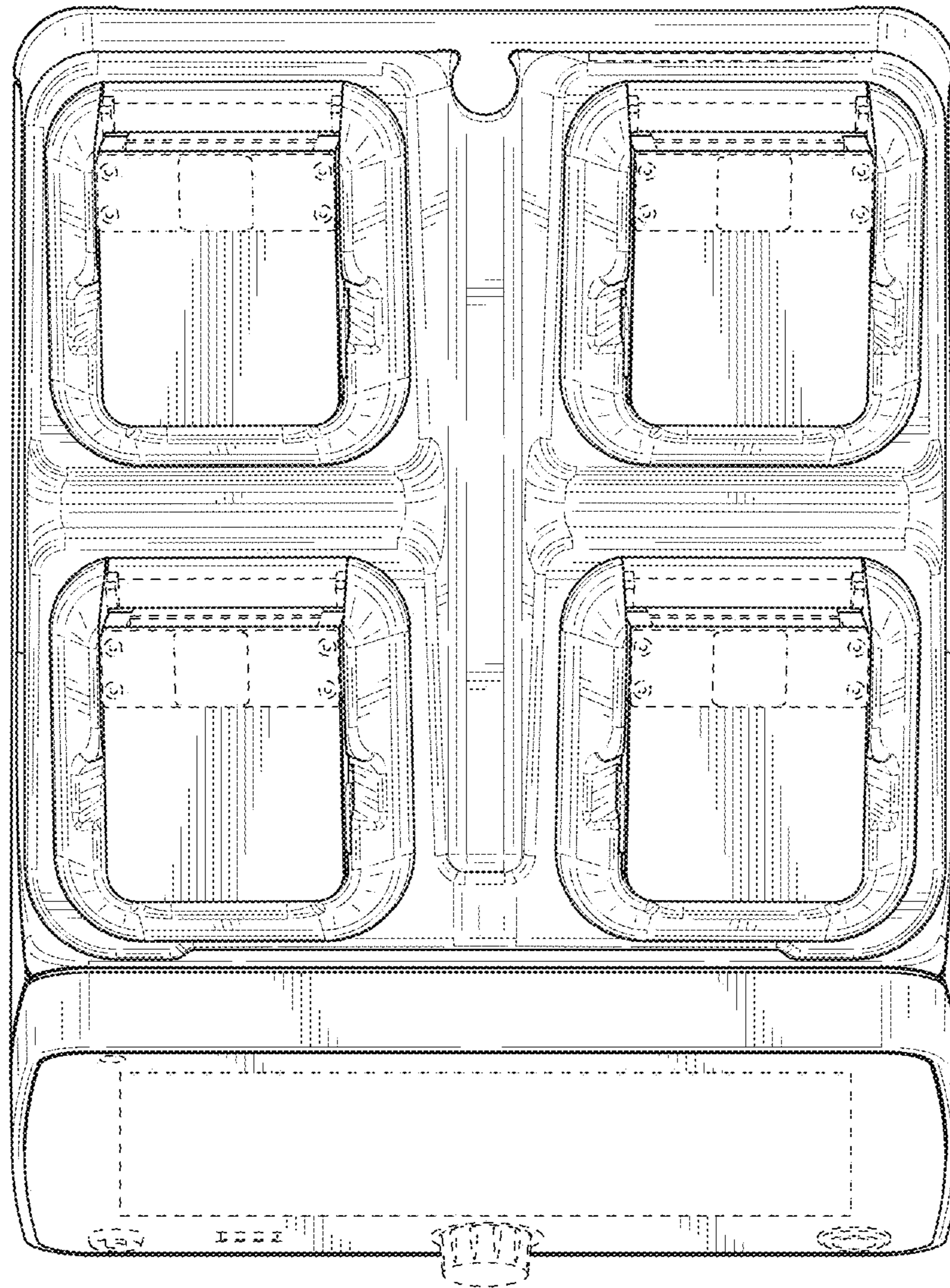


FIG. 7

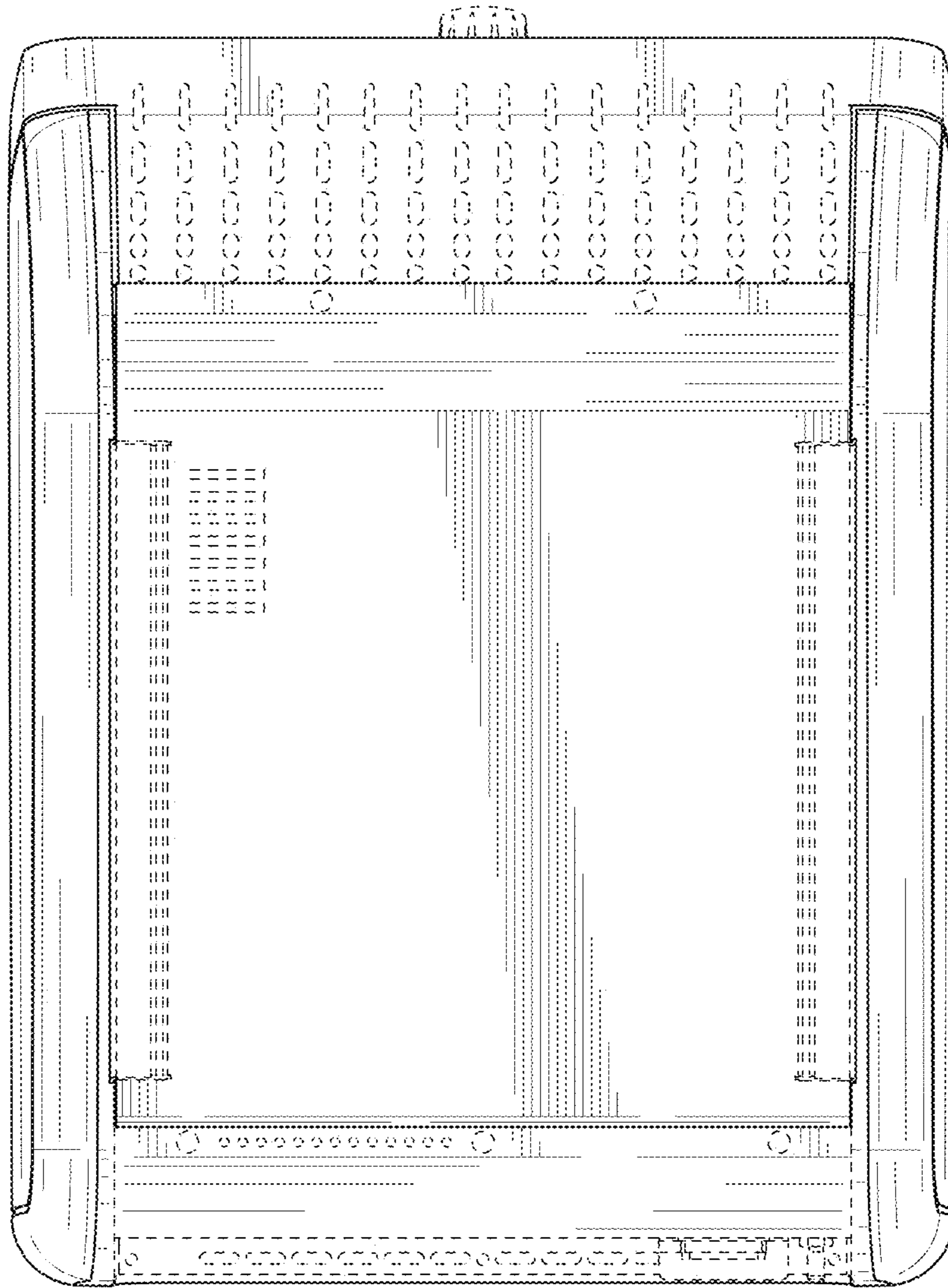


FIG. 8