



US00D900321S

(12) **United States Design Patent** (10) **Patent No.:** **US D900,321 S**
Wang et al. (45) **Date of Patent:** **** Oct. 27, 2020**

(54) **RADIOFREQUENCY ABLATION PUMP ASSEMBLY**

(71) Applicant: **Avent, Inc.**, Alpharetta, GA (US)

(72) Inventors: **Ruoya Wang**, Decatur, GA (US);
Kun-Chi Wu, Johns Creek, GA (US);
Travis W. Klyber, Roswell, GA (US)

(73) Assignee: **Avent, Inc.**, Alpharetta, GA (US)

(**) Term: **15 Years**

(21) Appl. No.: **29/675,048**

(22) Filed: **Dec. 28, 2018**

(51) **LOC (12) Cl.** **24-02**

(52) **U.S. Cl.**
USPC **D24/170**

(58) **Field of Classification Search**
USPC D24/144, 170, 164–165, 185–186, 111,
D24/108; 606/33; 604/67, 151, 154
CPC . A61B 18/1492; A61B 18/10; A61B 18/1206;
A61B 18/18; A61B 18/1815; A61B
2018/00577; A61B 2018/00583; A61B
2018/1823; A61B 2018/1853; A61M
5/142; A61M 5/14228; A61M 5/14232;
A61M 5/14248; A61M 5/14566; A61M
5/14244; A61M 1/1039

See application file for complete search history.

(56) **References Cited**

U.S. PATENT DOCUMENTS

5,158,528 A * 10/1992 Walker A61M 5/142
417/411
5,334,181 A 8/1994 Rubinsky et al.
D352,778 S * 11/1994 Irvin D24/111
D446,854 S * 8/2001 Cheney, II D24/108
7,004,961 B2 2/2006 Wong et al.

7,344,499 B1 3/2008 Prausnitz et al.
7,771,420 B2 8/2010 Butty et al.
7,857,756 B2 12/2010 Warren et al.
8,361,063 B2 1/2013 Godara
D730,525 S * 5/2015 Acker D24/164
9,072,540 B2 7/2015 Jarnagin et al.
D742,013 S * 10/2015 Helgeson D24/164
9,480,528 B2 11/2016 Turovskiy et al.

(Continued)

FOREIGN PATENT DOCUMENTS

EP 2 977 021 A1 1/2016
WO WO 03/000316 A1 1/2003

(Continued)

Primary Examiner — Wan Laymon

(74) *Attorney, Agent, or Firm* — Dority & Manning, P.A.

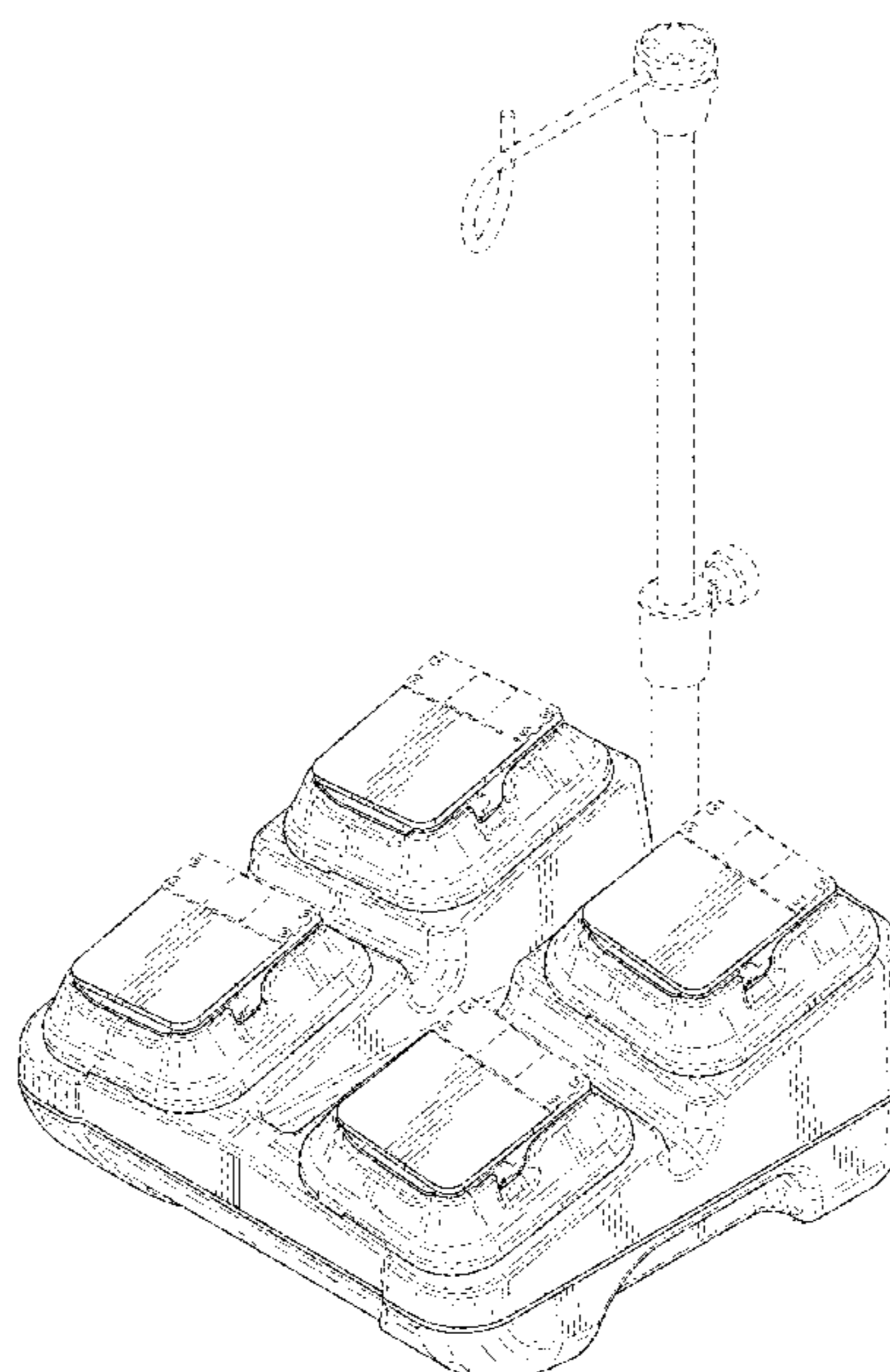
(57) **CLAIM**

The ornamental design for a radiofrequency ablation pump assembly, as shown and described.

DESCRIPTION

FIG. 1 is a front perspective view of a pump assembly according to the present design;
FIG. 2 is a rear perspective view of the pump assembly of FIG. 1;
FIG. 3 is a front view of the pump assembly of FIG. 1;
FIG. 4 is a right side view of the pump assembly of FIG. 1;
FIG. 5 is a rear view of the pump assembly of FIG. 1;
FIG. 6 is a left side view of the pump assembly of FIG. 1;
FIG. 7 is a top view of the pump assembly of FIG. 1; and,
FIG. 8 is a bottom view of the pump assembly of FIG. 1.
The broken lines depicting the IV pole, the IV pole base, the screws, the feet, and portions of the radiofrequency ablation pump assembly are included for the purpose of illustrating environmental subject matter and form no part of the claimed design.

1 Claim, 8 Drawing Sheets



(56)

References Cited

U.S. PATENT DOCUMENTS

9,603,990 B2 3/2017 Woolford
9,662,169 B2 5/2017 Schultz et al.
9,956,032 B1 5/2018 Cosman et al.
D875,255 S * 2/2020 Wang D24/170
2003/0199794 A1 10/2003 Sakurai et al.
2005/0096549 A1 5/2005 Gerber et al.
2007/0098565 A1* 5/2007 Parsee A61M 5/14228
417/44.1
2013/0030426 A1 1/2013 Gallardo et al.
2013/0267894 A1* 10/2013 Woolford A61B 18/148
604/264

FOREIGN PATENT DOCUMENTS

WO WO 2010/018569 A1 2/2010
WO WO 2017/039570 A1 3/2017

* cited by examiner

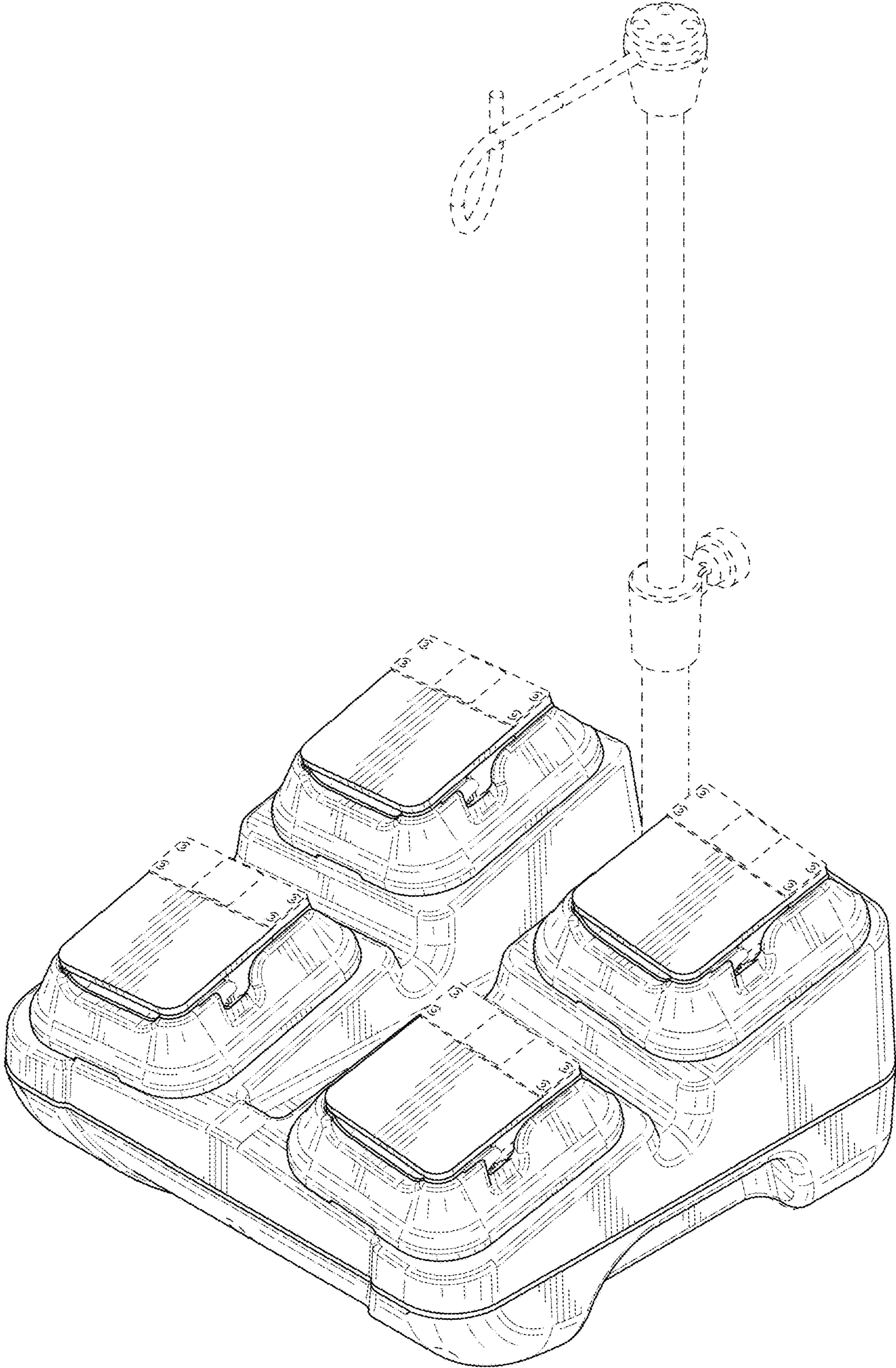


FIG. 1

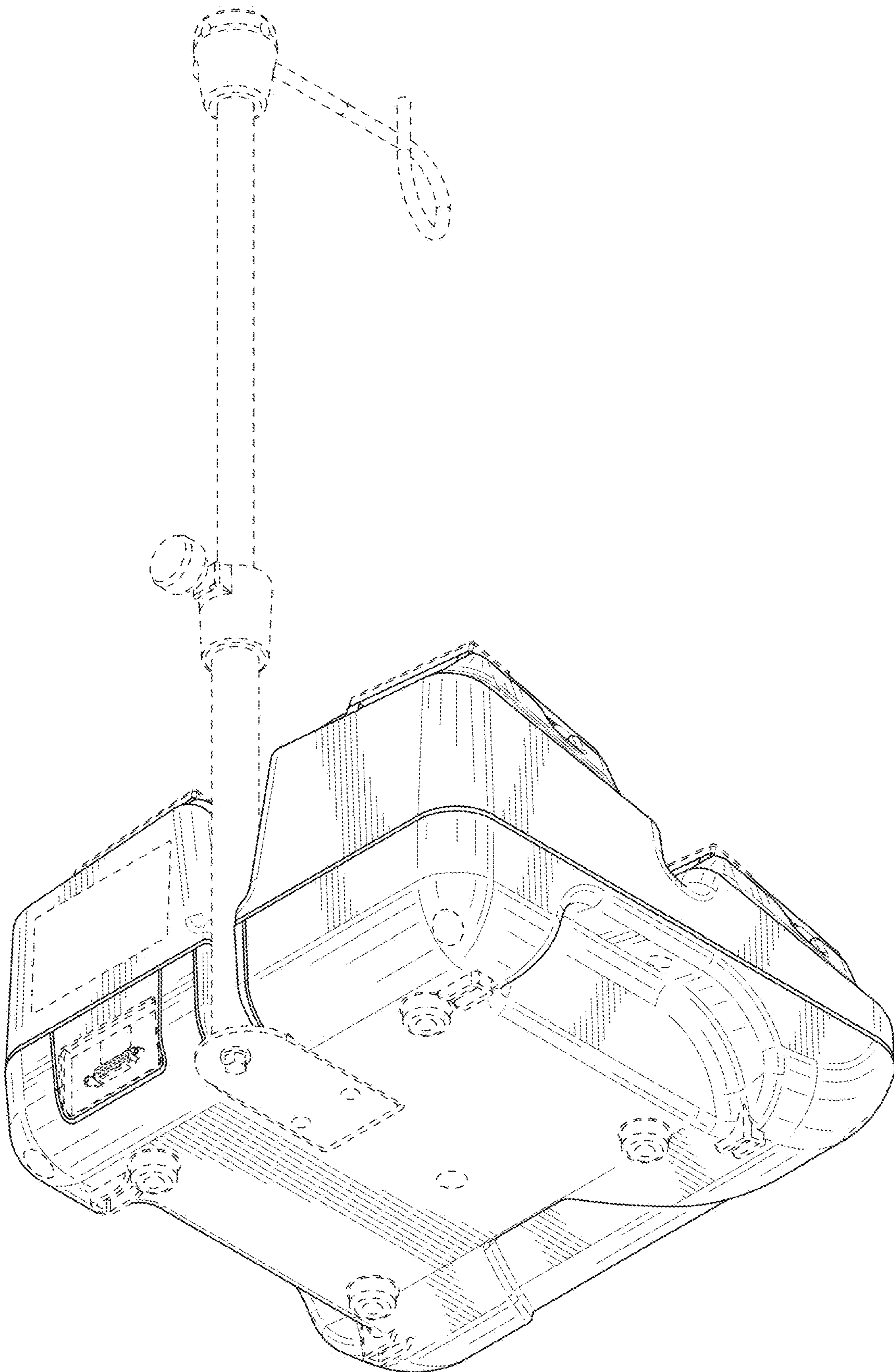


FIG. 2

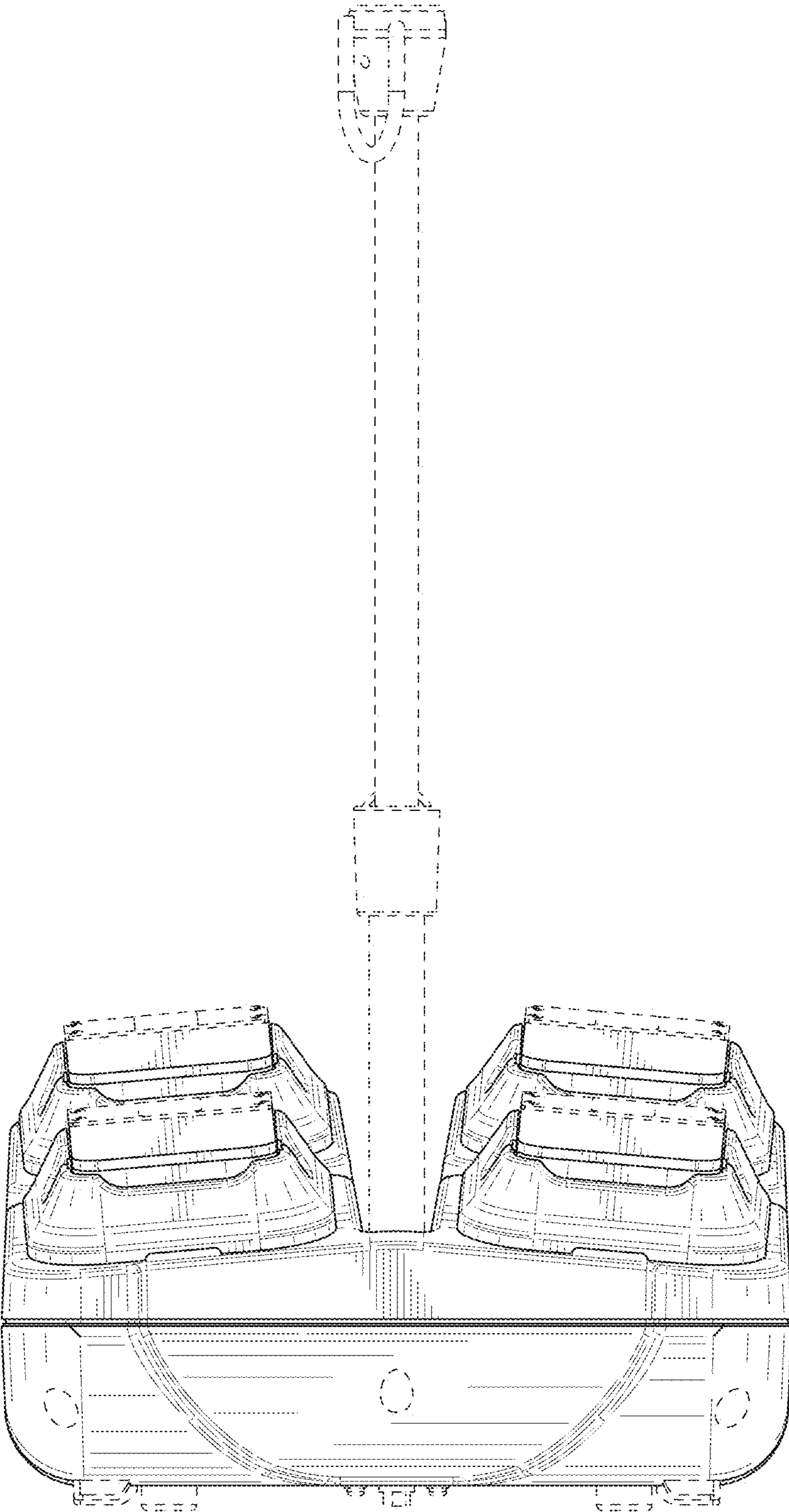


FIG. 3

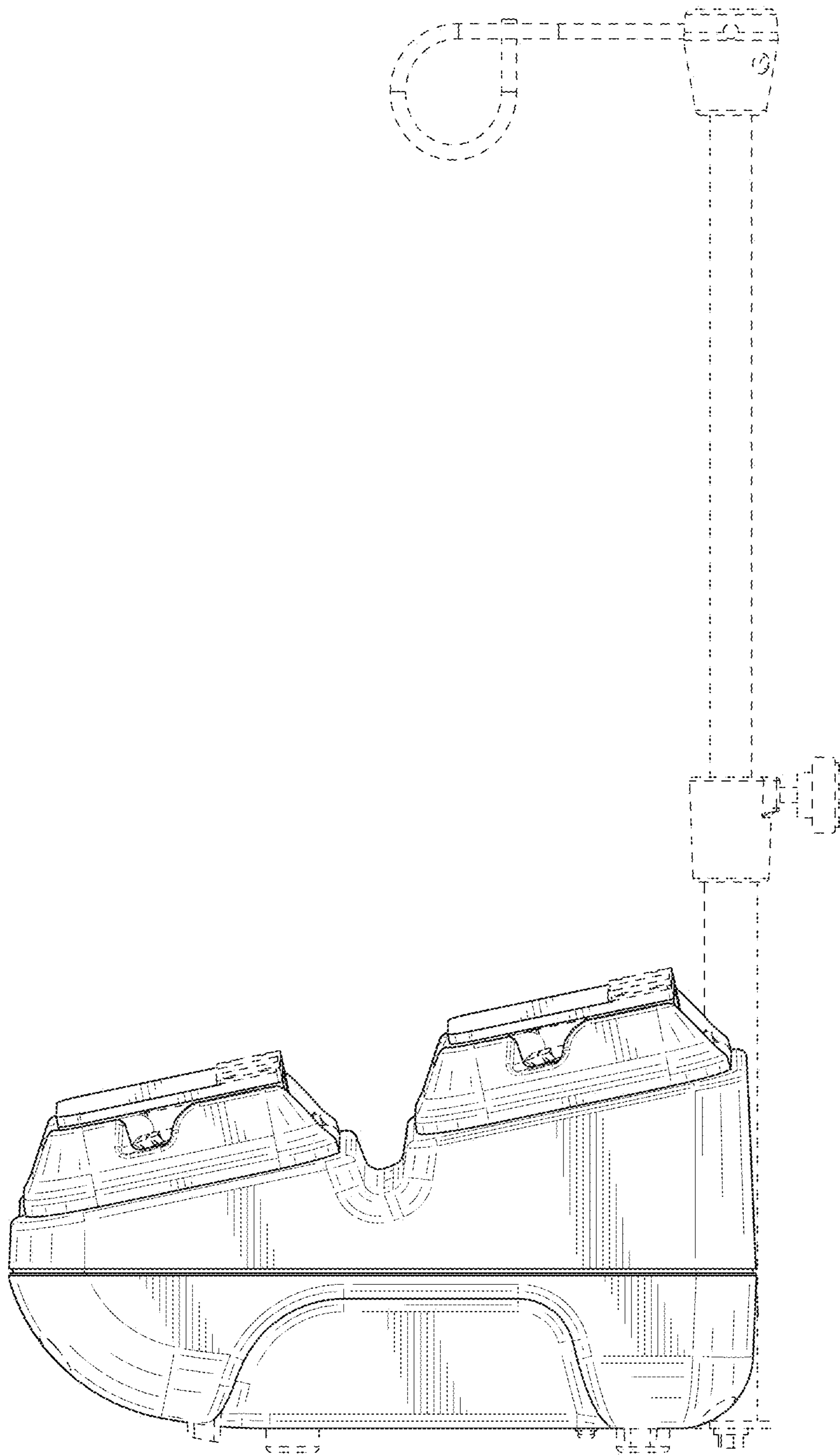


FIG. 4

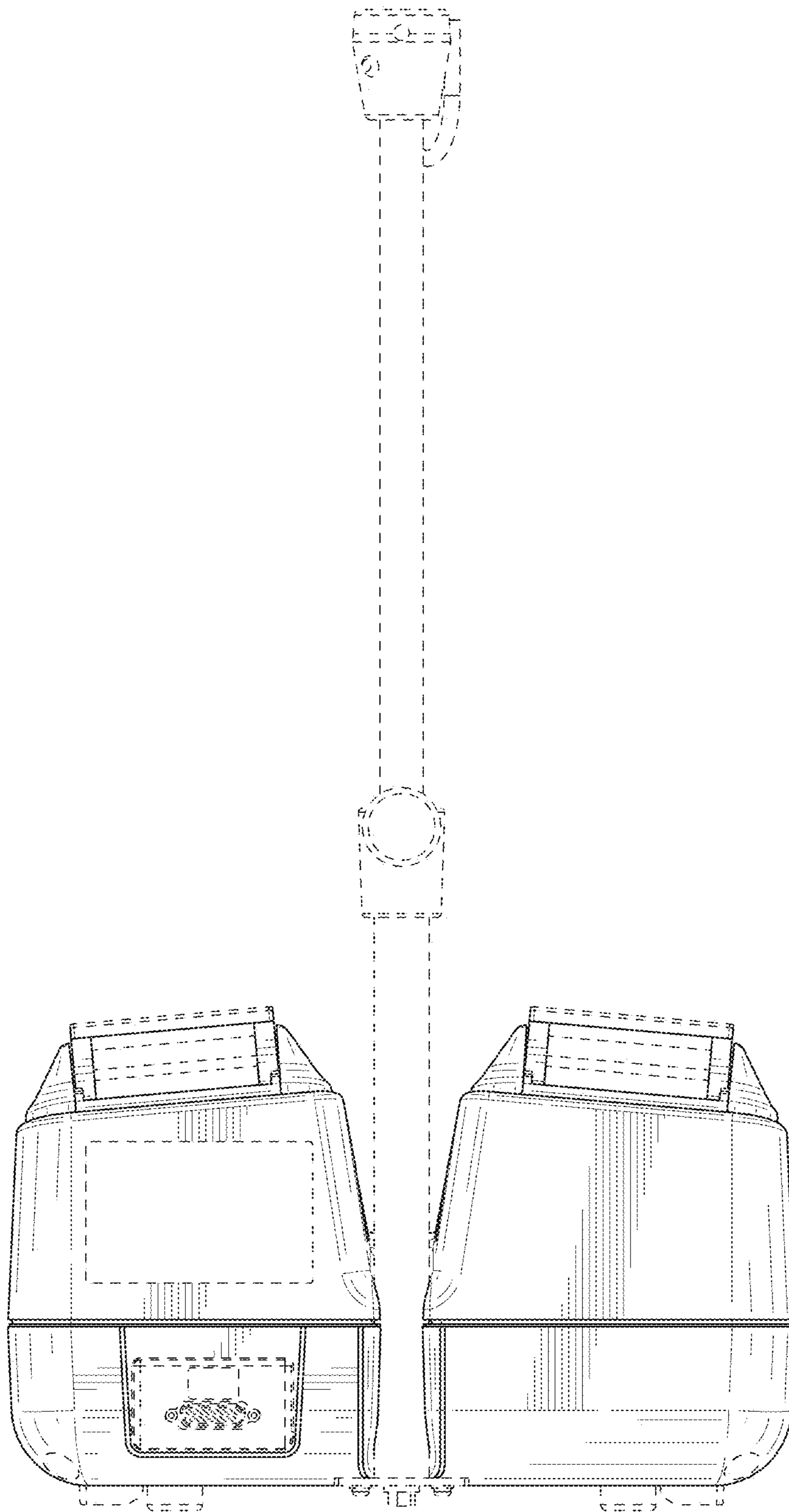


FIG. 5

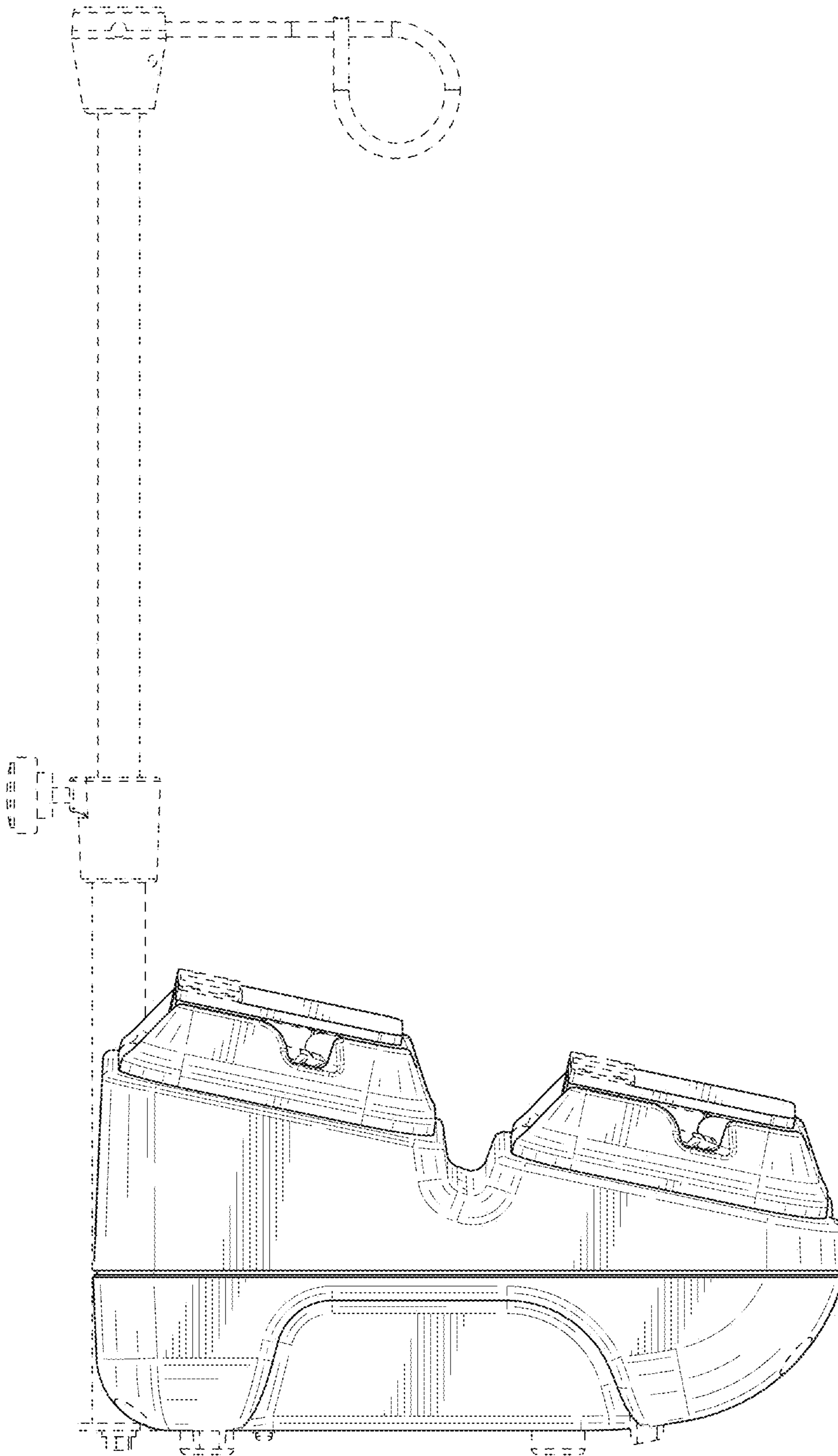


FIG. 6

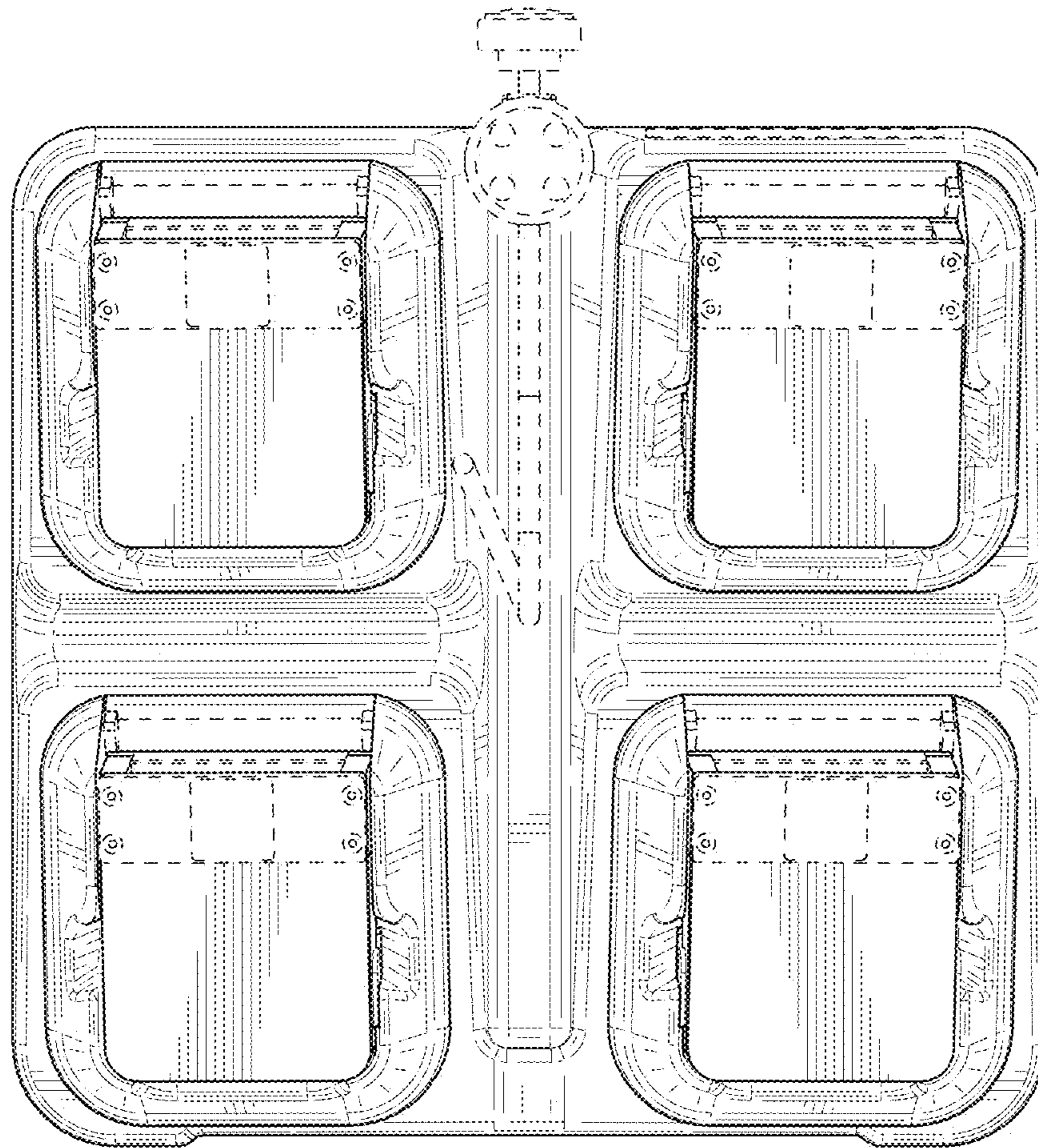


FIG. 7

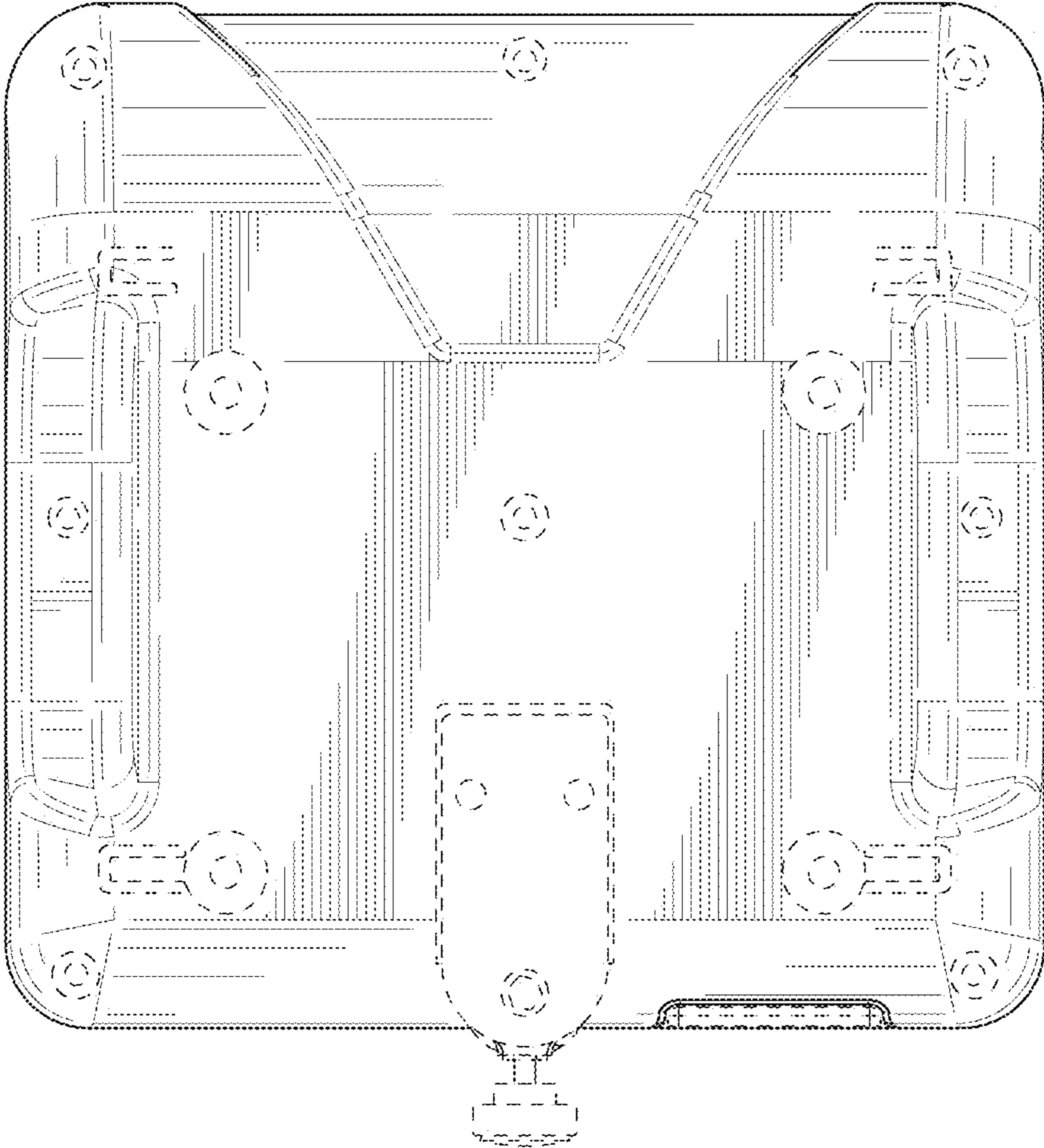


FIG. 8