



US00D900320S

(12) **United States Design Patent**
Wilke et al.

(10) **Patent No.:** **US D900,320 S**

(45) **Date of Patent:** **** Oct. 27, 2020**

(54) **RESUSCITATOR**

(71) Applicant: **RESUSCITEC GMBH**, Freiburg (DE)

(72) Inventors: **Joachim Wilke**, Urbach (DE);
Christoph Benk, Freiburg (DE)

(73) Assignee: **RESUSCITEC GMBH**, Freiburg (DE)

(**) Term: **15 Years**

(21) Appl. No.: **35/505,699**

(22) Filed: **Mar. 19, 2018**

(80) **Hague Agreement Data**

Int. Filing Date: **Mar. 19, 2018**

Int. Reg. No.: **DM/100526**

Int. Reg. Date: **Mar. 19, 2018**

Int. Reg. Pub. Date: **Sep. 21, 2018**

(51) **LOC (12) Cl.** **24-02**

(52) **U.S. Cl.**
USPC **D24/164; D24/186**

(58) **Field of Classification Search**
USPC D24/107, 108, 110–110.4, 127, 164, 167,
D24/169, 185, 186, 231, 234;
128/202.16, 204.16, 204.18
CPC A61H 31/00; A61H 31/006; A61H 31/008;
A61H 31/02; A61G 11/005; A61G
11/008; A61G 12/001; A61G 12/008;
A61M 16/0078; A61M 16/0084; A61M
2205/106; A61M 2205/8206; A61M
2205/8262; A61M 1/101; A61M 1/1006;
A61M 1/1039; A61M 1/16; A61M
1/1601; A61M 1/1625; A61M 1/1629;
A61M 1/1698; A61M 1/32; A61M 1/34;
A61M 1/342; A61M 1/3693–3696; A61M
1/3434; A61M 1/3437; A61M 1/3441;
A61M 1/3444; A61M 1/3448; A61M
1/3458; A61M 1/36; A61M 1/3603;
A61M 1/3621; A61M 1/3626; A61M
1/3627; A61M 1/3939; A61M 1/3647;

A61M 1/369; A61M 1/3666; A61M
1/3692; A61M 16/00; F04B 43/06; F04B
43/0736; F04B 43/1253; F04B 43/1276

See application file for complete search history.

(56) **References Cited**

U.S. PATENT DOCUMENTS

4,481,938	A *	11/1984	Lindley	A61H 31/02 128/205.26
5,536,412	A *	7/1996	Ash	A61M 1/1696 210/195.1
6,171,267	B1 *	1/2001	Baldwin, II	A61H 31/00 601/106
8,133,195	B2 *	3/2012	Blicke	A61M 1/1698 210/646
D669,185	S *	10/2012	Schmid	D24/169
8,297,955	B2 *	10/2012	Fujii	F04B 43/1253 417/477.11
8,298,167	B2 *	10/2012	Peters	A61M 1/342 210/645

(Continued)

Primary Examiner — Samantha Q Lawrence

(74) *Attorney, Agent, or Firm* — Fitch, Even, Tabin &
Flannery, LLP

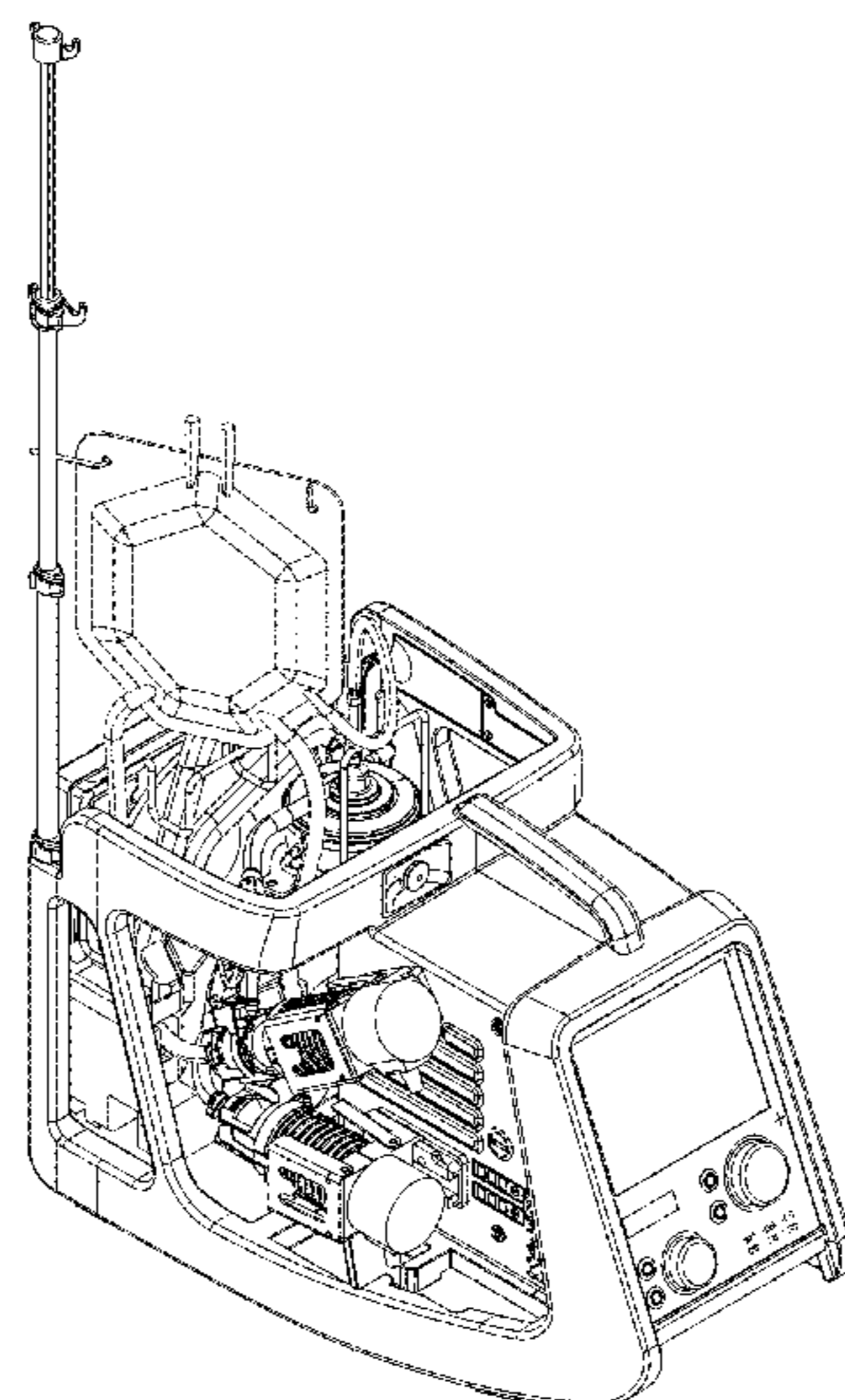
(57) **CLAIM**

The ornamental design for a resuscitator, as shown and described.

DESCRIPTION

1. Resuscitator
Figure 1.1 is a left side view of a resuscitator;
Figure 1.2 is a perspective view thereof;
Figure 1.3 is a right side view thereof;
Figure 1.4 is a front view thereof;
Figure 1.5 is a back view thereof;
Figure 1.6 is a top view thereof; and
Figure 1.7 is another perspective view thereof.
The broken lines shown in Figures 1.1-1.7 illustrate portions of the resuscitator that form no part of the claimed design.

1 Claim, 7 Drawing Sheets



(56)

References Cited

U.S. PATENT DOCUMENTS

8,337,436	B2 *	12/2012	Ho	A61H 31/00 601/44
8,534,282	B2 *	9/2013	Bergman	A61M 16/0078 128/203.28
8,747,662	B2 *	6/2014	Delmage	A61M 1/34 210/108
D804,341	S *	12/2017	Rowland	D10/96
10,045,908	B2 *	8/2018	Aelen	A61H 31/006
2005/0027231	A1 *	2/2005	Kirchhof	A61M 1/3621 604/4.01
2013/0226064	A1 *	8/2013	Galavotti	A61M 1/1698 604/4.01
2015/0273126	A1 *	10/2015	Beiriger	A61M 1/1601 210/647

* cited by examiner

FIG. 1.1

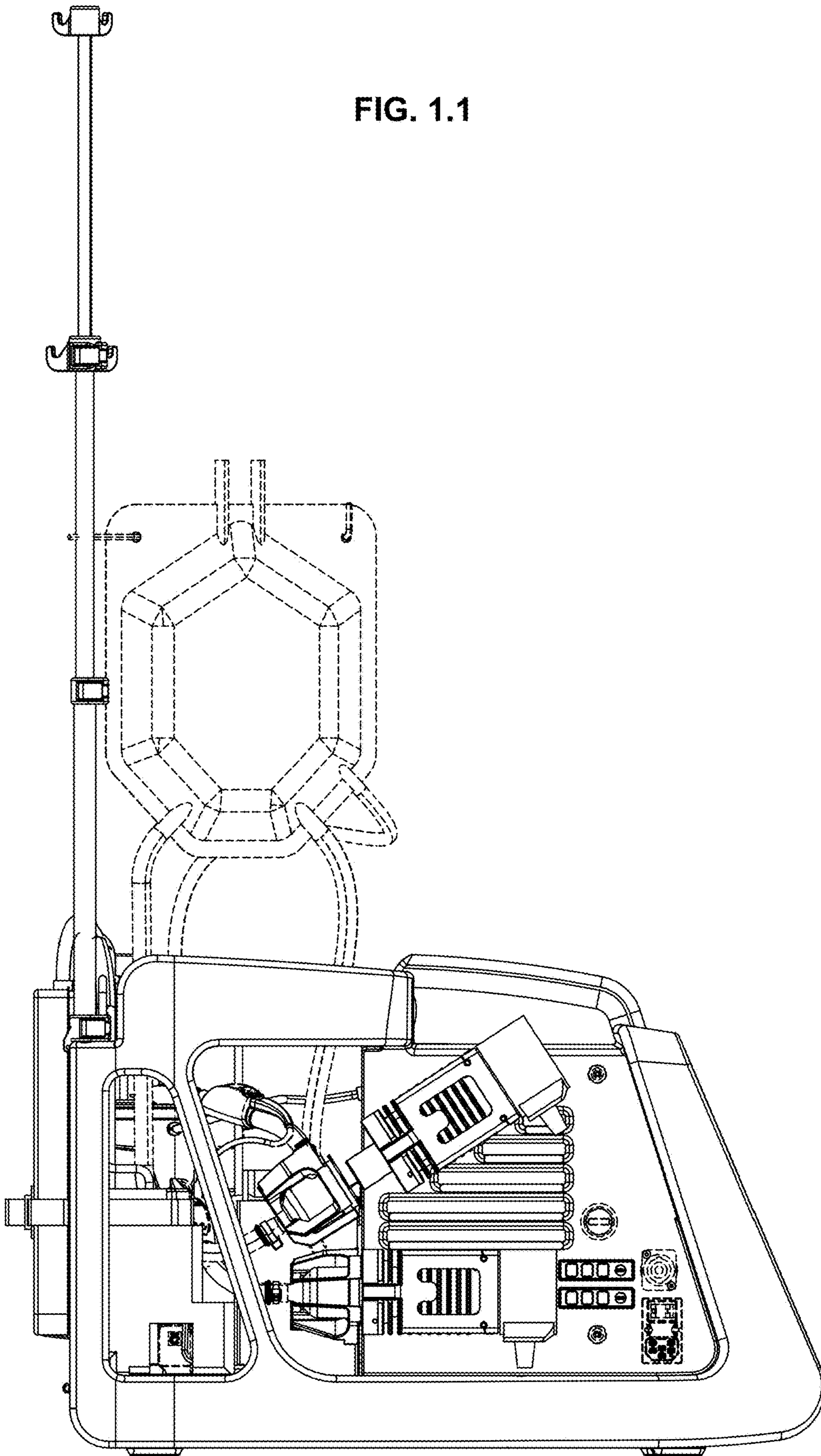


FIG. 1.2

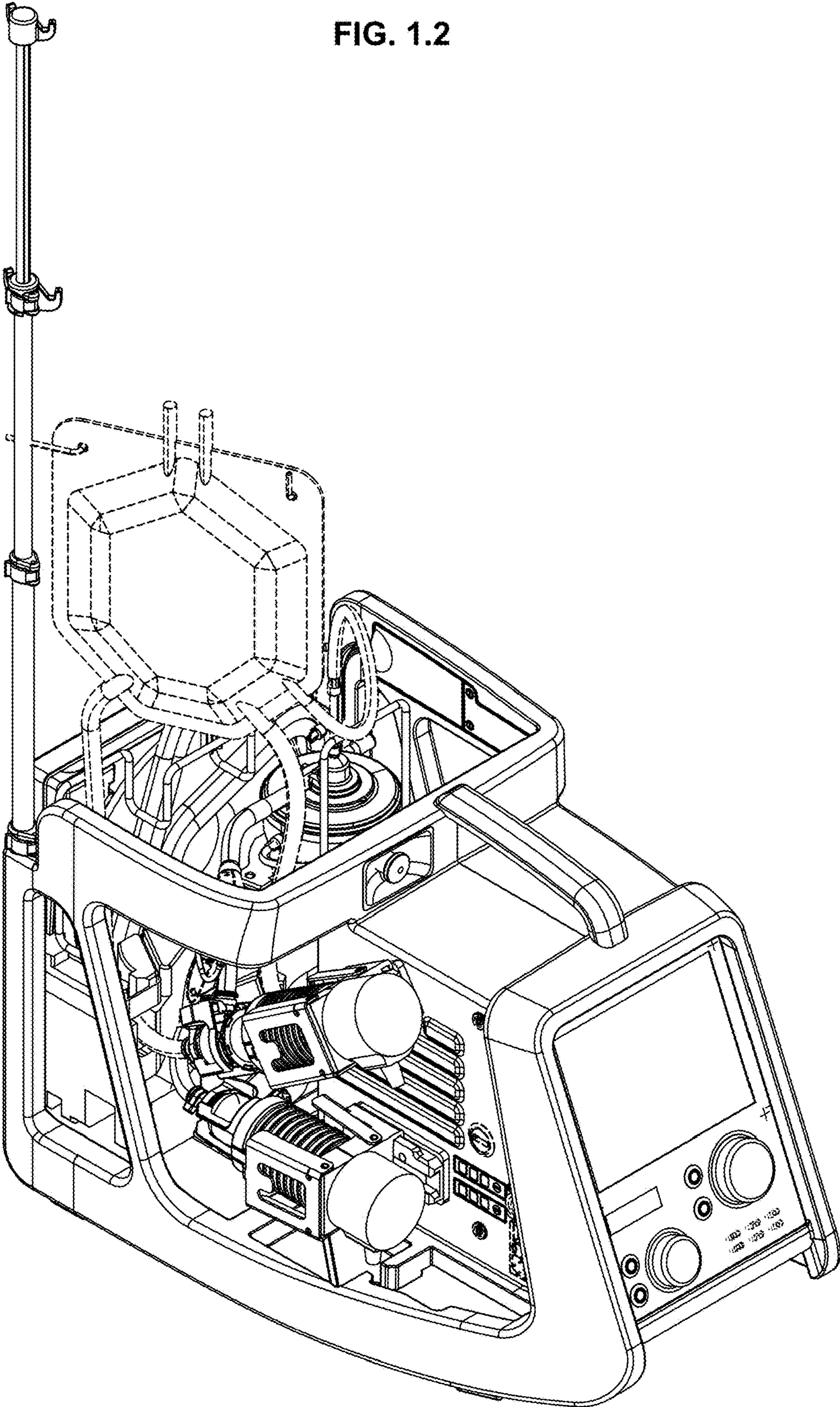


FIG. 1.3

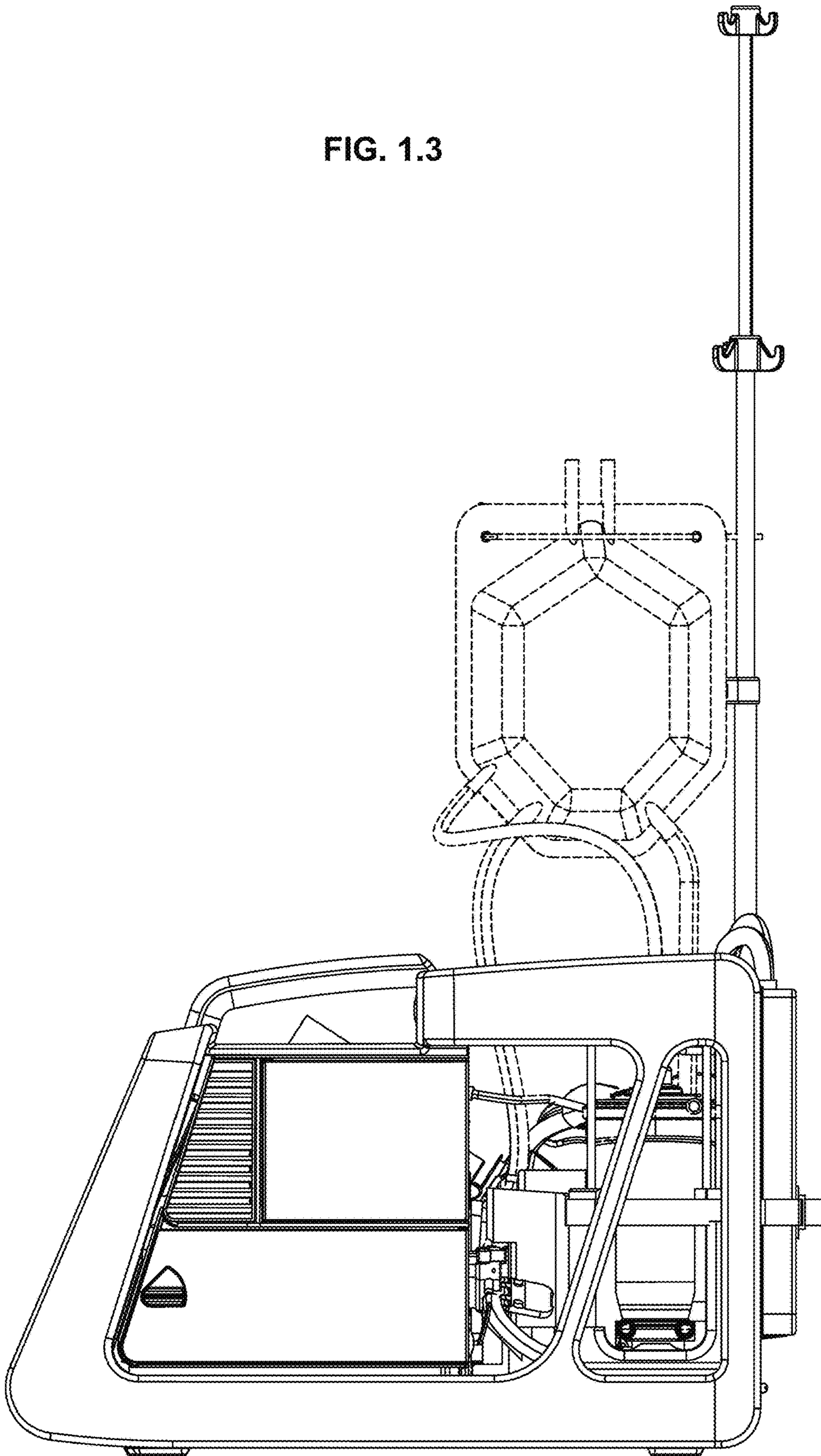


FIG. 1.4

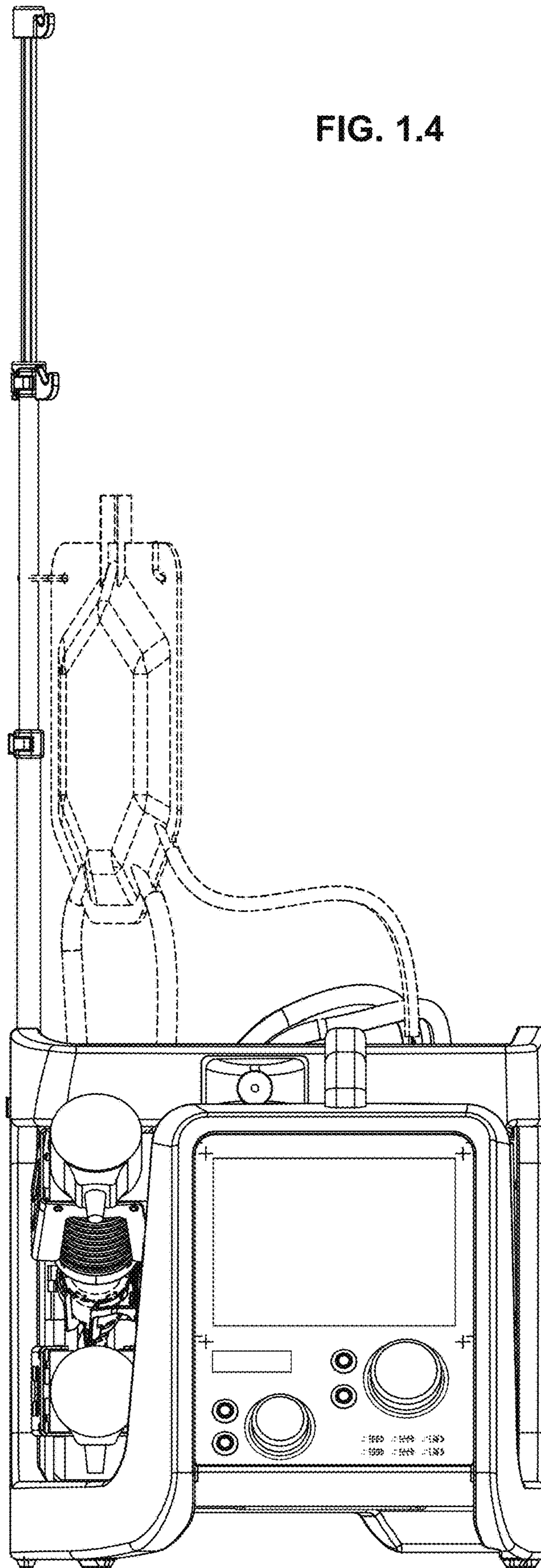


FIG. 1.5

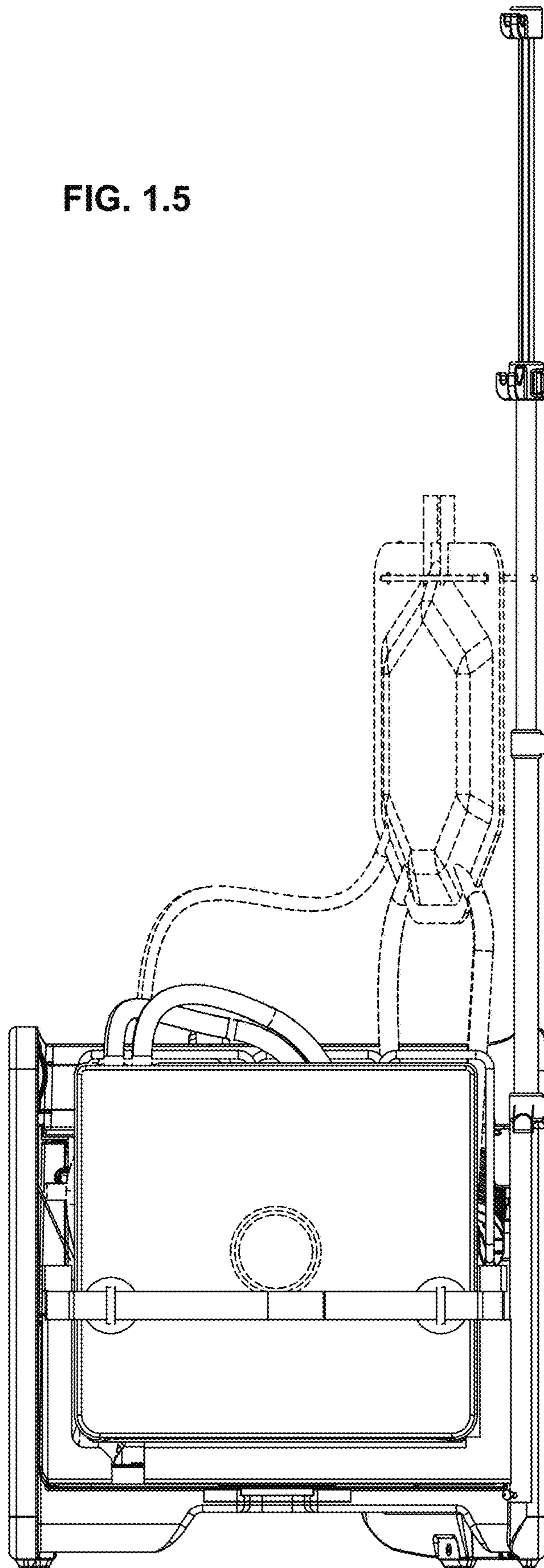


FIG. 1.6

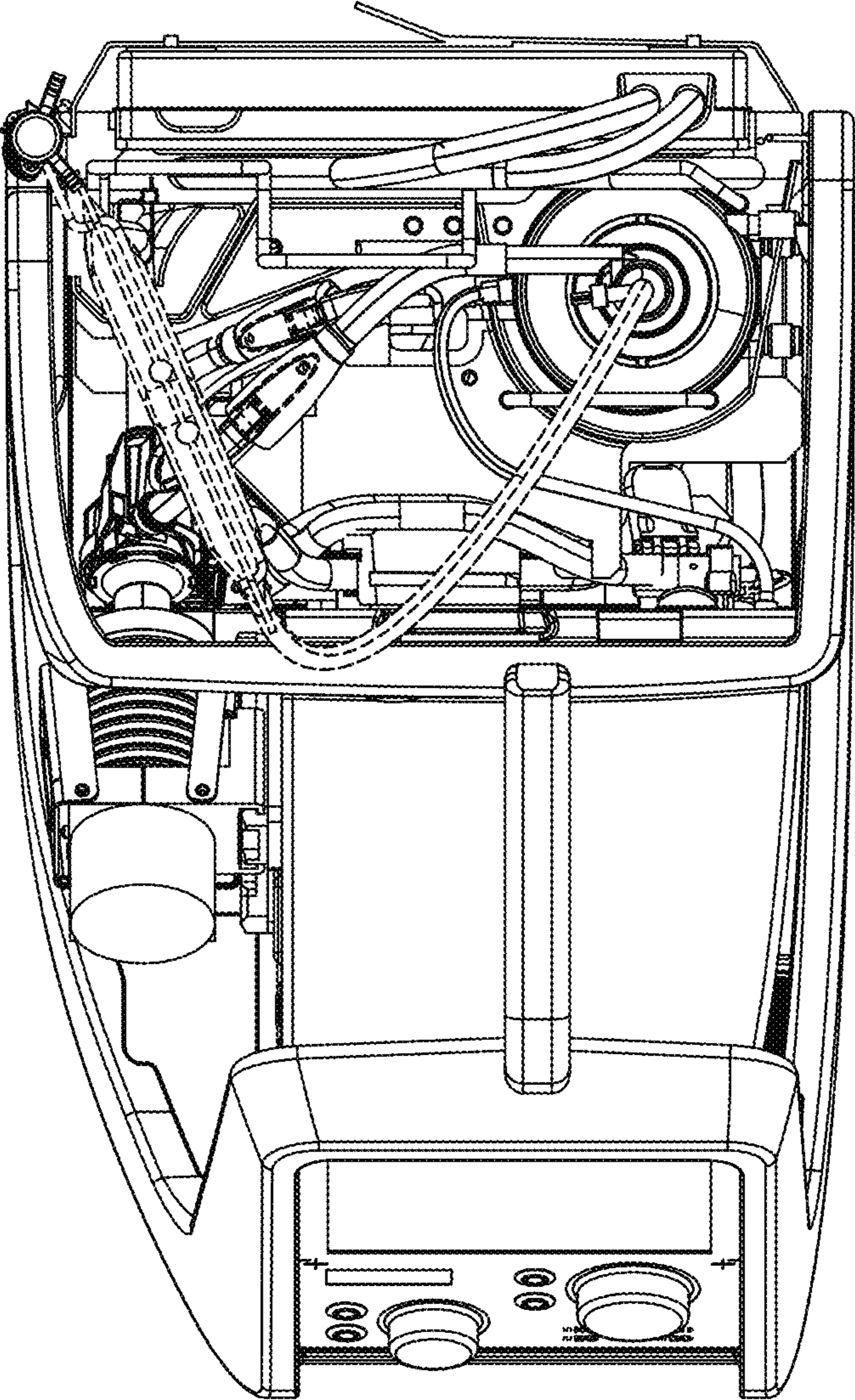


FIG. 1.7

