



US00D900319S

(12) **United States Design Patent**  
**Peiris et al.**

(10) **Patent No.:** **US D900,319 S**

(45) **Date of Patent:** **\*\* Oct. 27, 2020**

(54) **FLUID TRAP FOR A RESPIRATORY DEVICE**

(71) Applicant: **FISHER & PAYKEL HEALTHCARE LIMITED**, Auckland (NZ)

(72) Inventors: **Telge Nishan Chaturanga Peiris**, Auckland (NZ); **Paul Joseph Moody**, Auckland (NZ); **Nathan Lee Gray**, Auckland (NZ)

(73) Assignee: **FISHER & PAYKEL HEALTHCARE LIMITED**, Auckland (NZ)

(\*\*) Term: **15 Years**

(21) Appl. No.: **29/660,536**

(22) Filed: **Aug. 21, 2018**

(51) **LOC (12) Cl.** ..... **23-04**

(52) **U.S. Cl.**  
USPC ..... **D24/162; D24/110**

(58) **Field of Classification Search**  
USPC ..... D24/110, 162, 164, 129, 165; 600/530, 600/533, 540, 538, 539; 128/200.24, 128/200.23, 201.28, 863, 205.23, 205.25, 128/204.25  
CPC ..... A61M 16/0808; A61M 16/206; A61M 16/0816; A61M 16/08; A61M 16/20  
See application file for complete search history.

(56) **References Cited**

**U.S. PATENT DOCUMENTS**

D282,283 S \* 1/1986 Weigl ..... D24/129  
D300,271 S \* 3/1989 Rudolph ..... D24/110.6  
D300,272 S \* 3/1989 Rudolph ..... D24/110.6  
5,060,655 A \* 10/1991 Rudolph ..... A61B 5/087  
600/529  
D329,495 S \* 9/1992 Kotake ..... D18/15  
D449,106 S \* 10/2001 Madsen ..... D24/129

D472,636 S \* 4/2003 Haynes ..... D24/162  
D671,654 S \* 11/2012 Akamatsu ..... D24/232  
8,322,334 B2 \* 12/2012 Lee ..... A61M 11/06  
128/200.21  
D689,187 S \* 9/2013 Kruger ..... D24/127  
D690,813 S \* 10/2013 Bizzell ..... D24/162  
D691,717 S \* 10/2013 McLean ..... D24/129  
D693,001 S \* 11/2013 Winter ..... D24/110.6  
D818,580 S \* 5/2018 Khabiri ..... D24/128  
D831,202 S \* 10/2018 Ratner ..... D24/129  
D833,599 S \* 11/2018 Nilsson ..... D24/110.4  
D834,712 S \* 11/2018 Gulliver ..... D24/129  
D851,240 S \* 6/2019 Baid ..... A61M 5/1411  
D24/112  
D852,355 S \* 6/2019 Fiorenza ..... D24/128

(Continued)

*Primary Examiner* — Nathan M Johnston

(74) *Attorney, Agent, or Firm* — Knobbe, Martens, Olson & Bear, LLP

(57) **CLAIM**

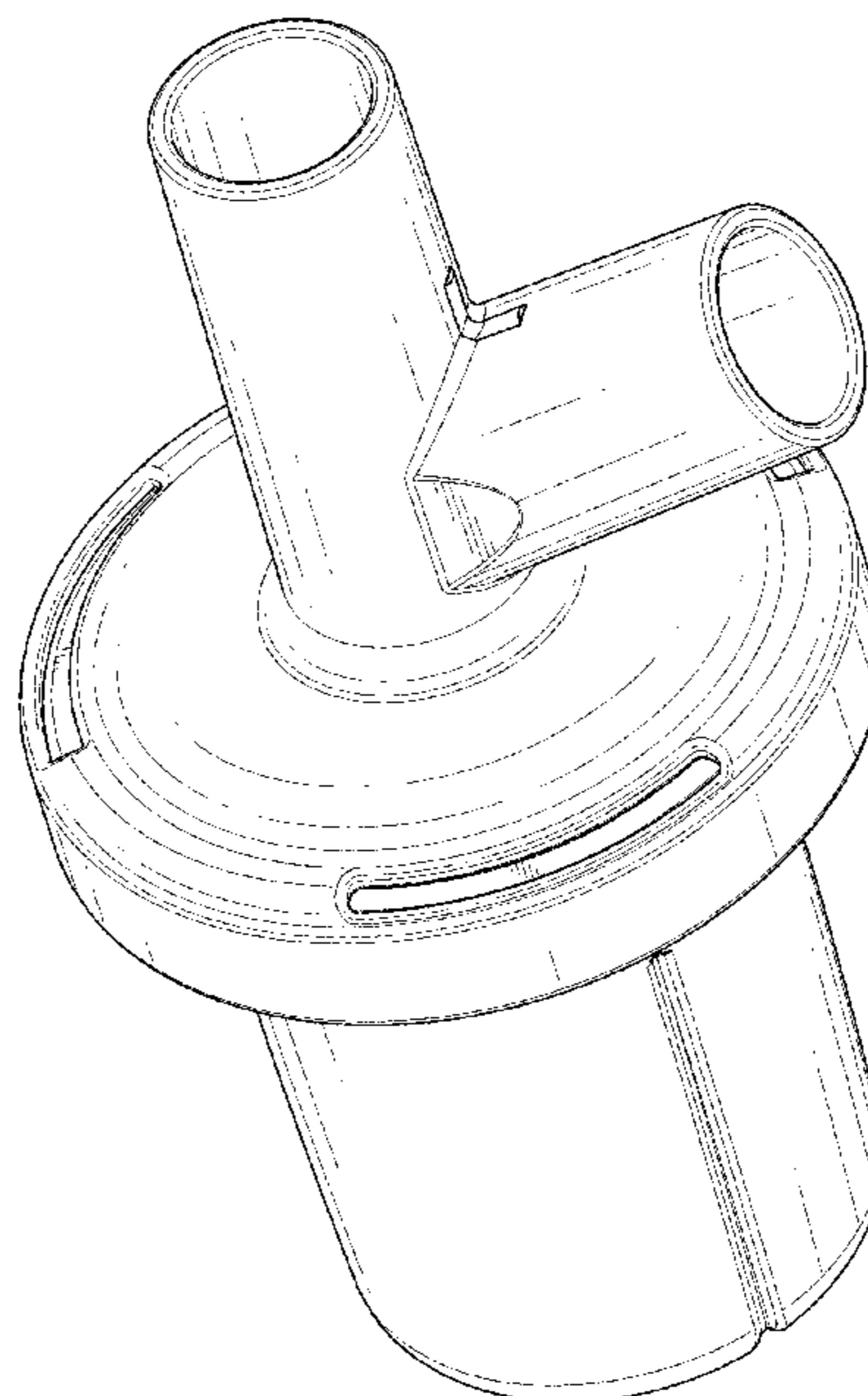
The ornamental design for a fluid trap for a respiratory device, as shown and described.

**DESCRIPTION**

FIG. 1 is a front, top, and left side perspective view of a fluid trap for a respiratory device embodying our new design. FIG. 2 is a front, bottom, and left side perspective view thereof. FIG. 3 is a top view thereof. FIG. 4 is a bottom view thereof. FIG. 5 is a left side view thereof. FIG. 6 is a right side view thereof. FIG. 7 is a front view thereof; and, FIG. 8 is a rear view thereof.

Broken lines are used to illustrate portions of the fluid trap for a respiratory device that form no part of the claimed design.

**1 Claim, 7 Drawing Sheets**



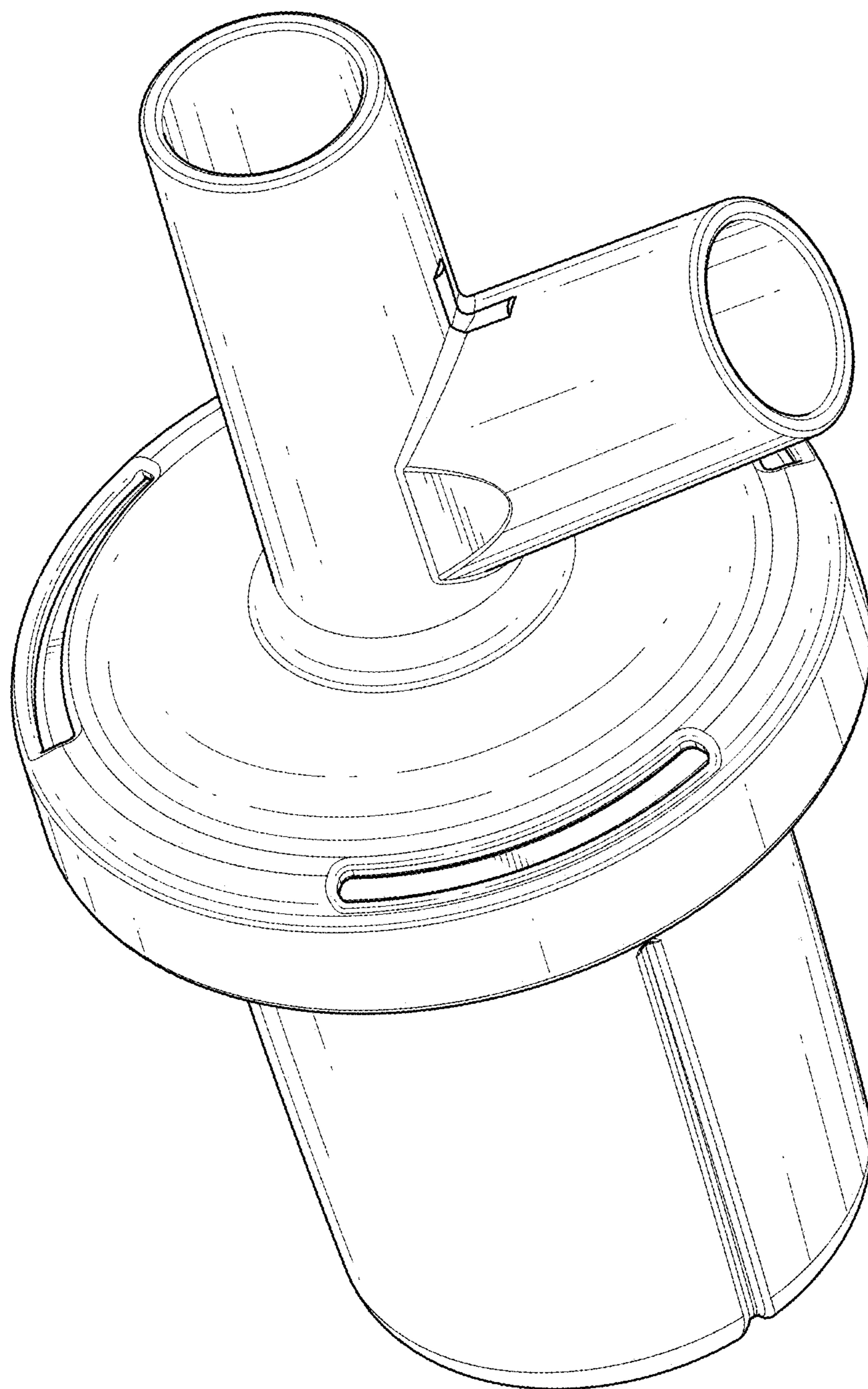
(56)

**References Cited**

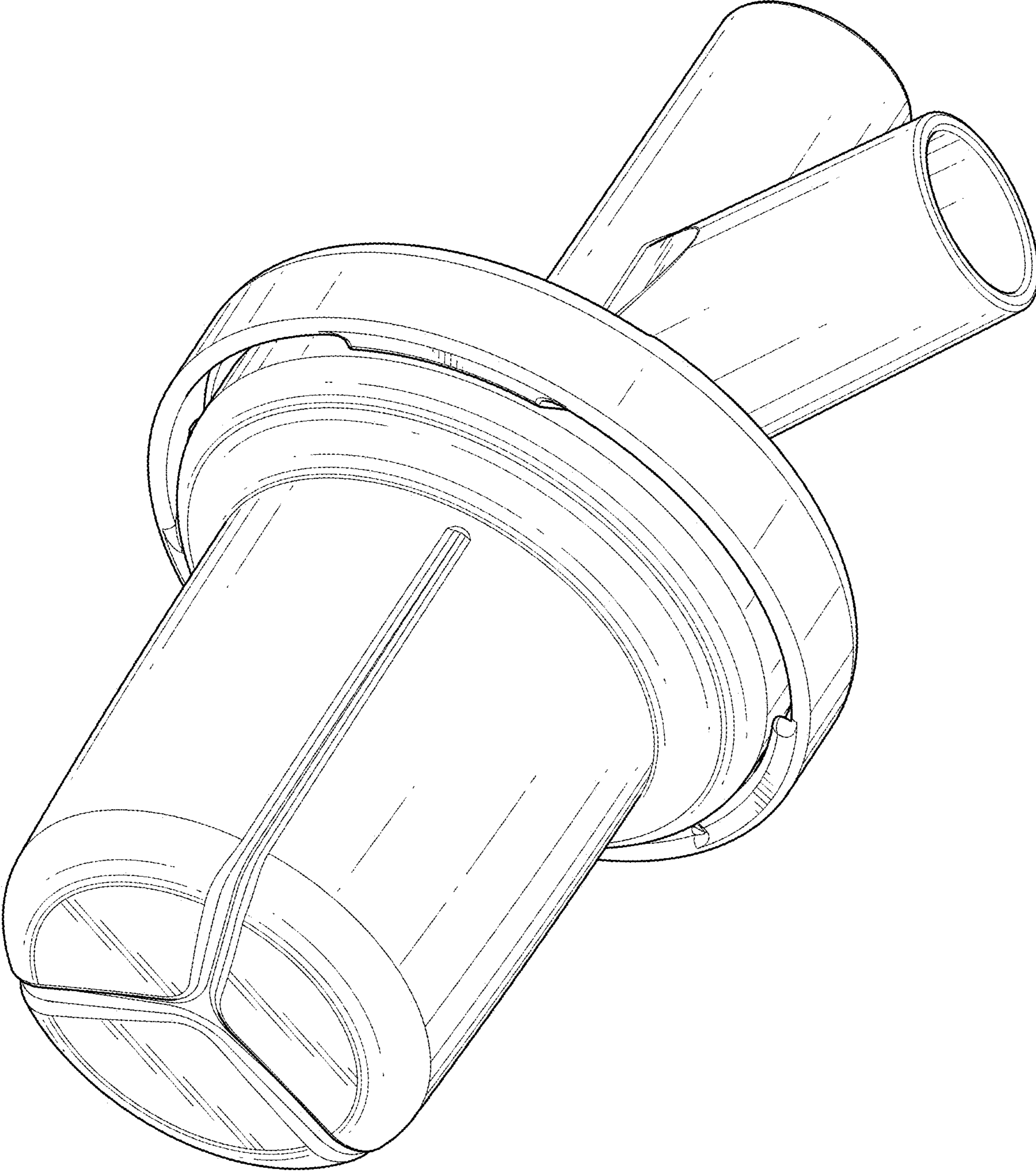
U.S. PATENT DOCUMENTS

D861,856 S \* 10/2019 Lin ..... D24/110.1  
2011/0114090 A1\* 5/2011 Piper ..... A61M 15/0021  
128/200.23  
2011/0201958 A1\* 8/2011 Lazar ..... A61B 5/091  
600/538  
2012/0227735 A1\* 9/2012 Abate ..... A61M 11/06  
128/200.14  
2015/0265185 A1\* 9/2015 Brugnoli ..... A61B 5/097  
600/539  
2017/0103634 A1\* 4/2017 Velez ..... G08B 21/02  
2020/0023154 A1\* 1/2020 Gray ..... A61M 16/0808

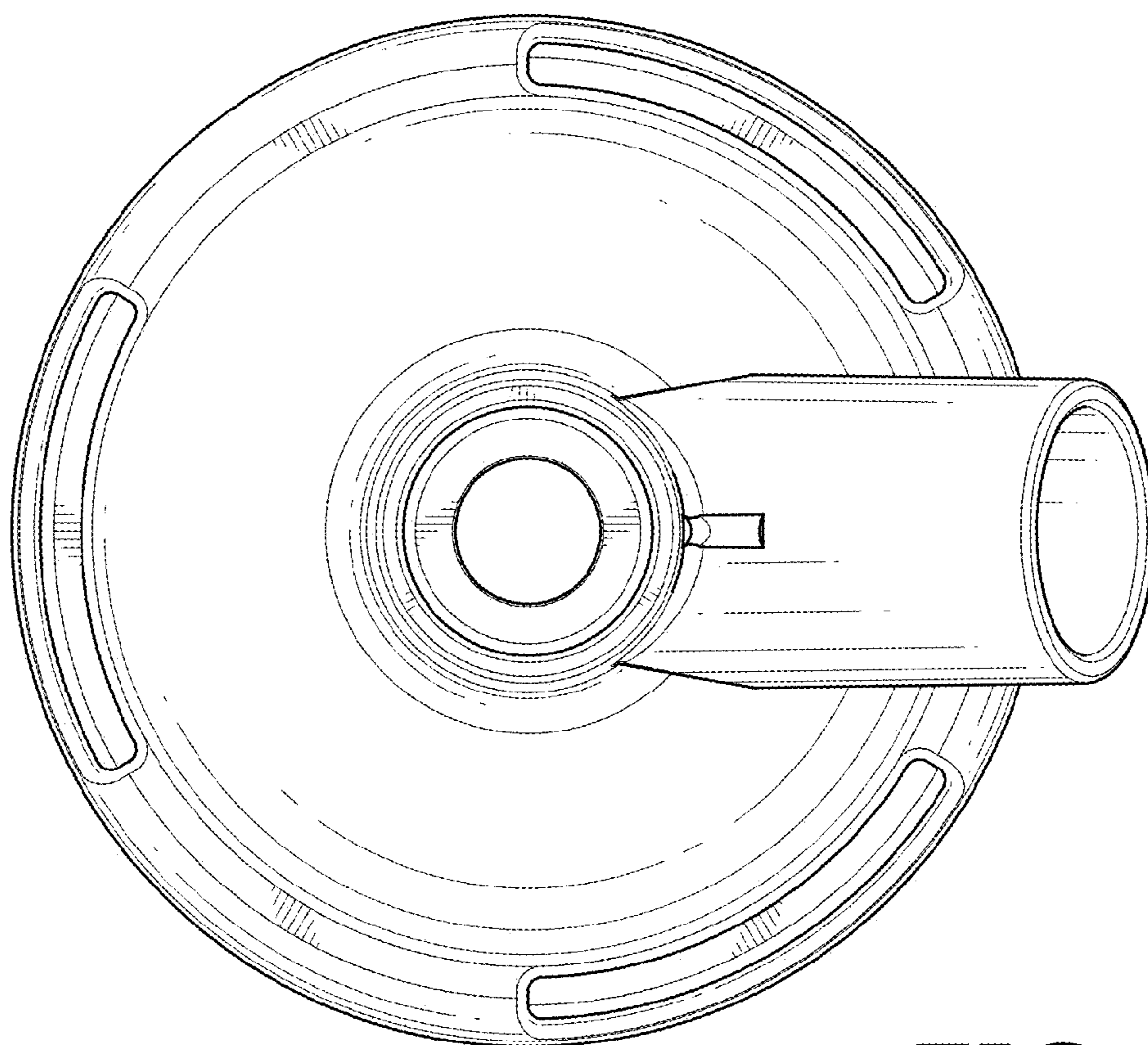
\* cited by examiner



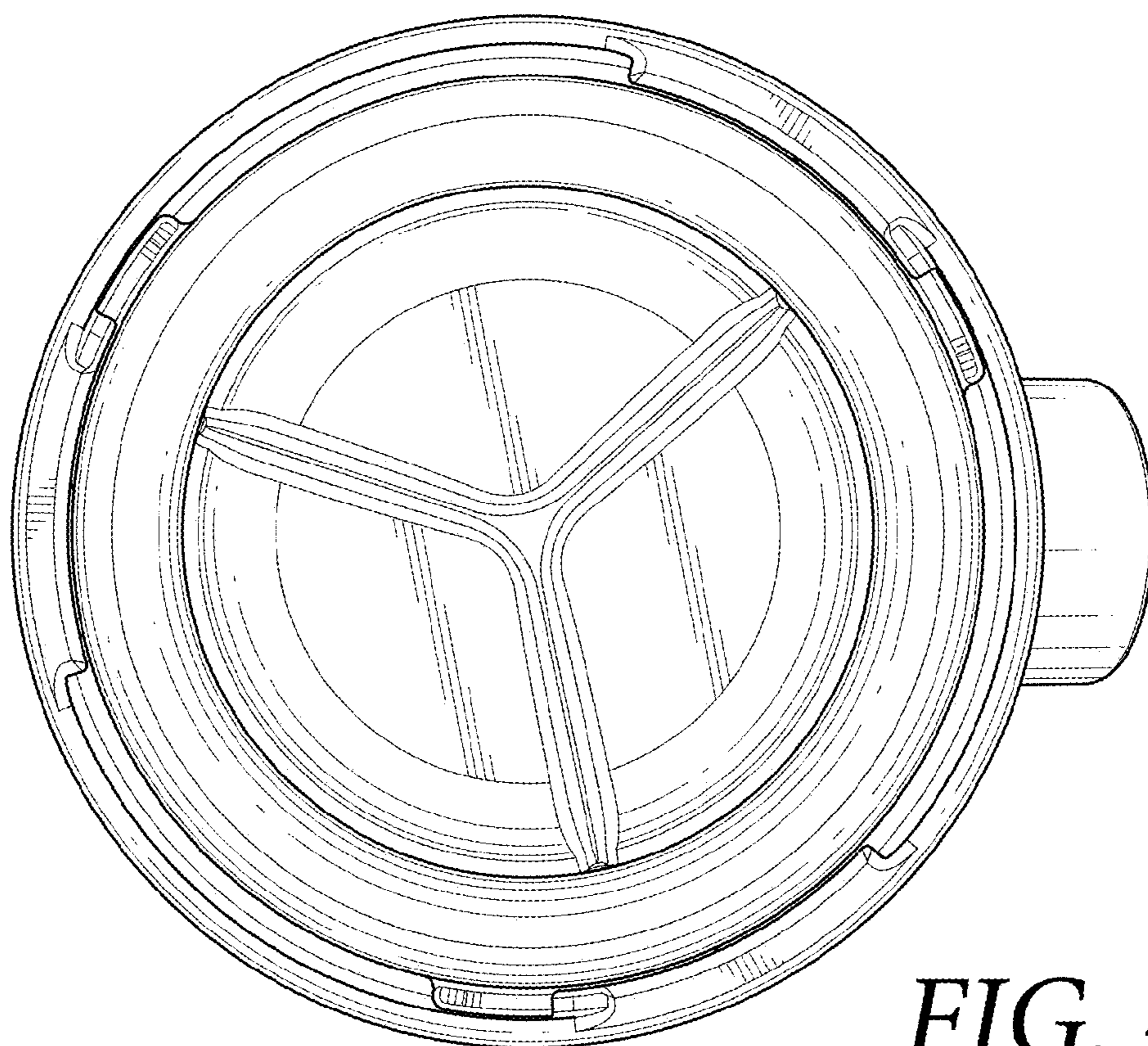
*FIG. 1*



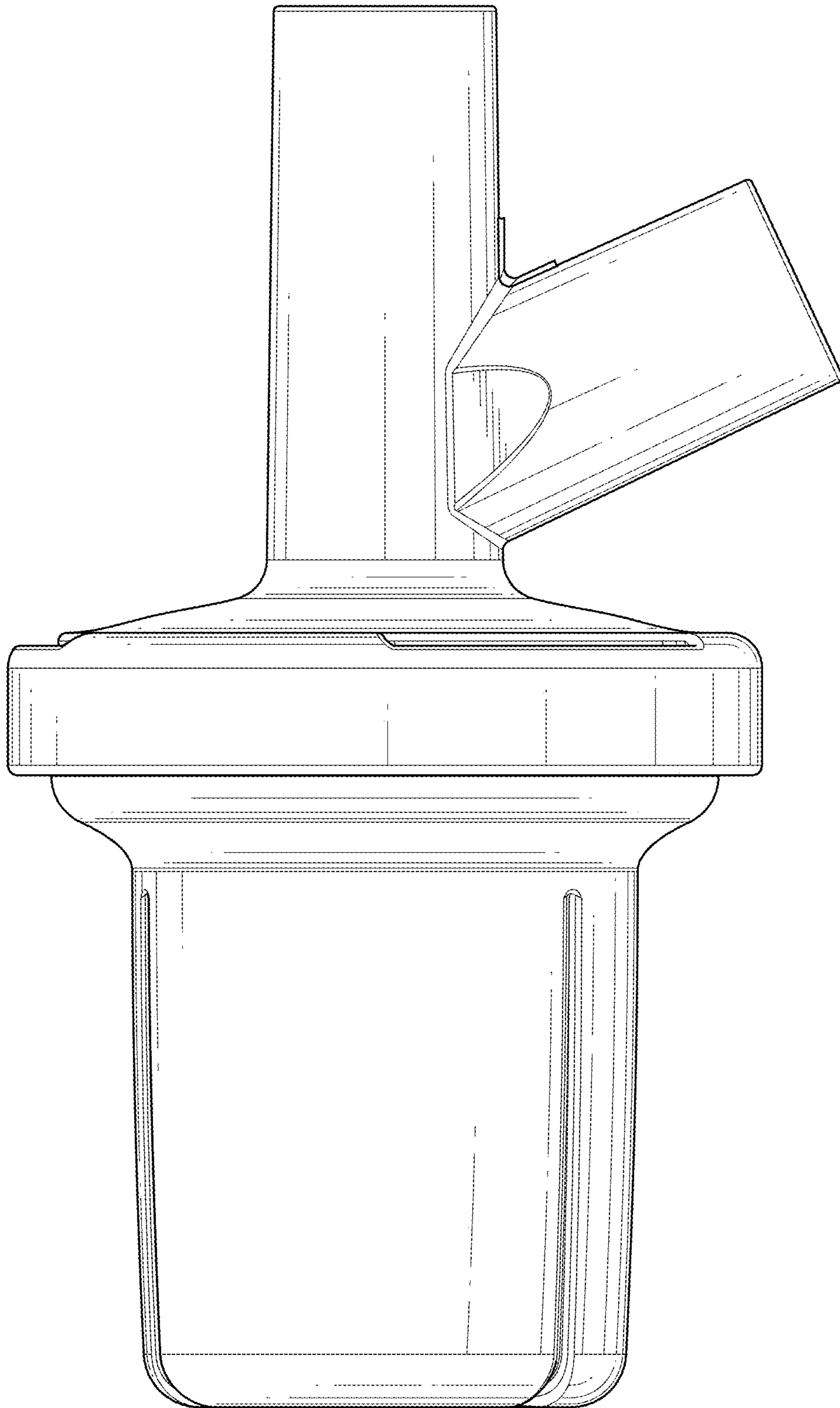
*FIG. 2*



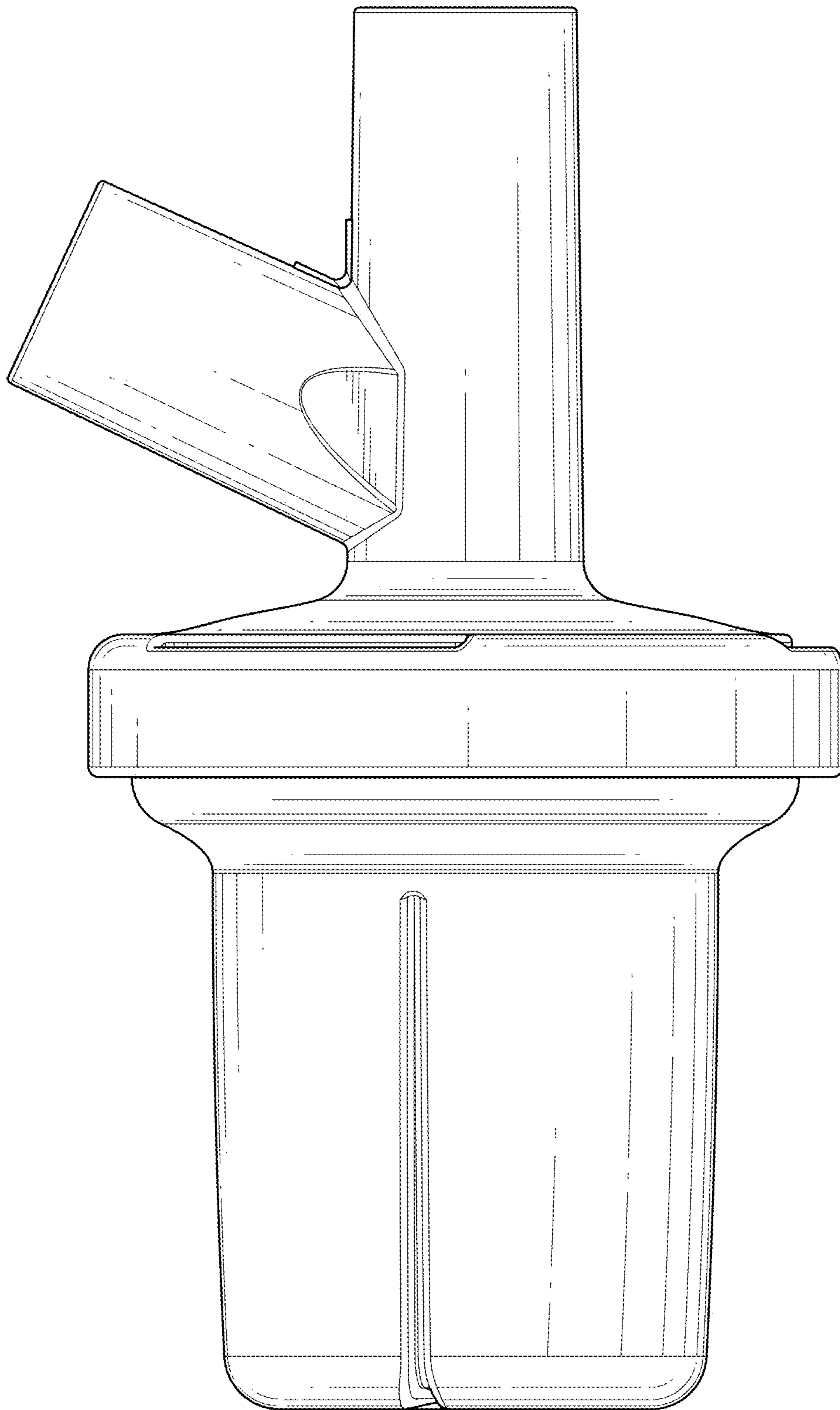
*FIG. 3*



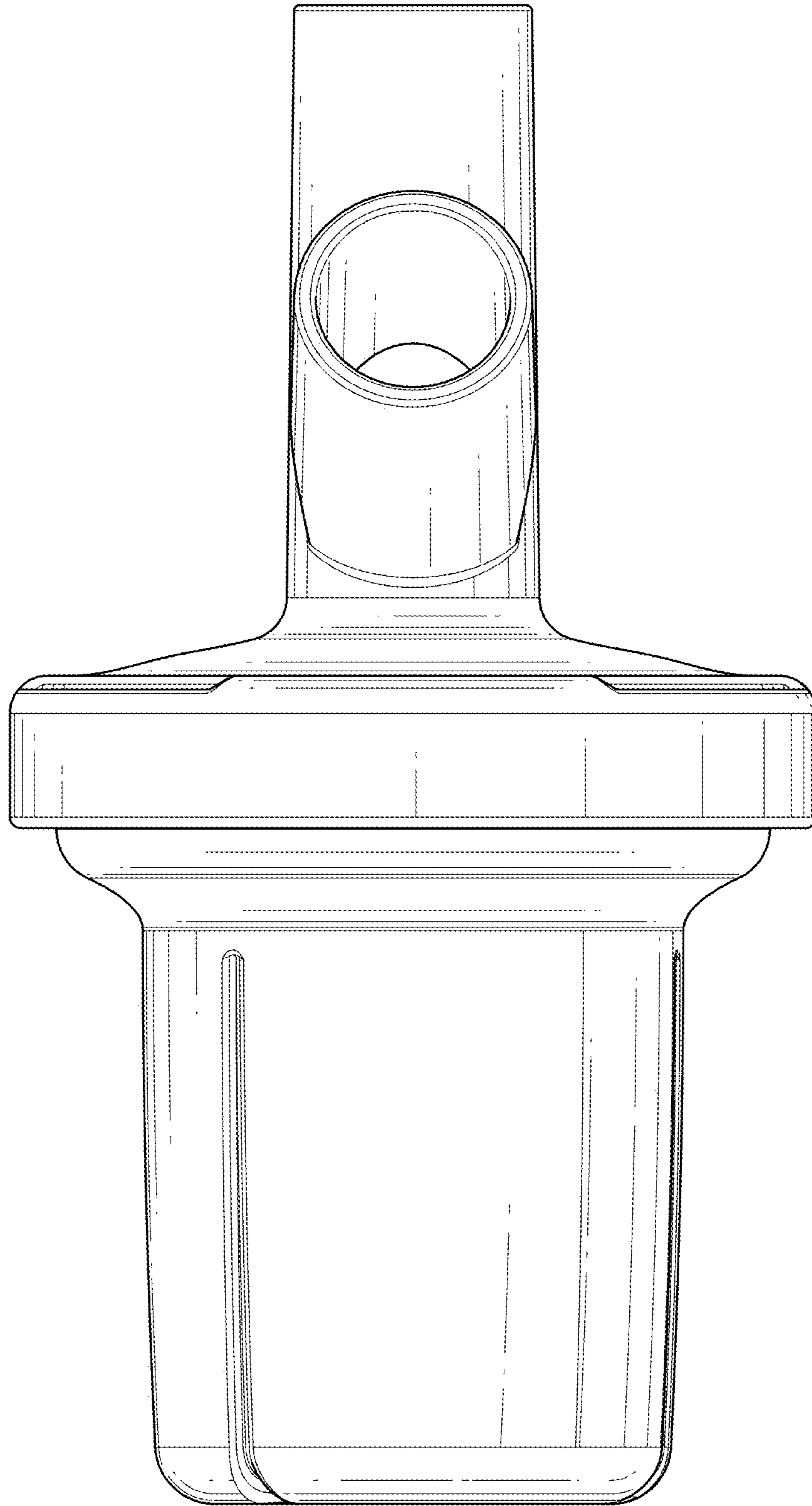
*FIG. 4*



*FIG. 5*

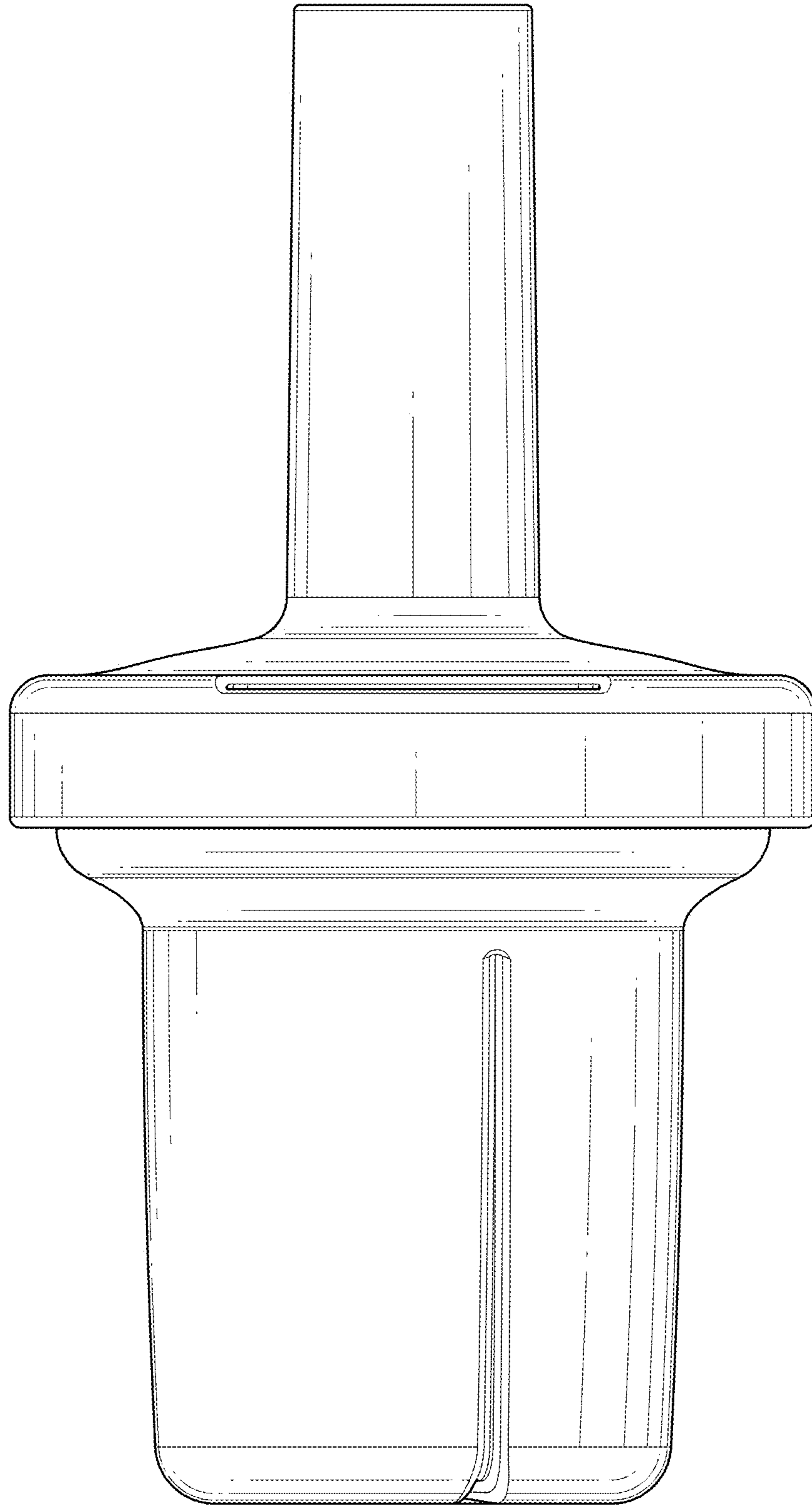


*FIG. 6*



*FIG. 7*





*FIG. 8*

UNITED STATES PATENT AND TRADEMARK OFFICE  
**CERTIFICATE OF CORRECTION**

PATENT NO. : D900,319 S  
APPLICATION NO. : 29/660536  
DATED : October 27, 2020  
INVENTOR(S) : Telge Nishan Chaturanga Peiris et al.

Page 1 of 1

It is certified that error appears in the above-identified patent and that said Letters Patent is hereby corrected as shown below:

On the Title Page

Column 2, Item (57), Line 10, under Description, after “thereof.” delete “Broken lines are used to illustrate portions of the fluid trap for a respiratory device that form no part of the claimed design.”.

Signed and Sealed this  
Sixth Day of April, 2021



Drew Hirshfeld  
*Performing the Functions and Duties of the  
Under Secretary of Commerce for Intellectual Property and  
Director of the United States Patent and Trademark Office*