



US00D900318S

(12) **United States Design Patent** (10) **Patent No.:** **US D900,318 S**
Makwana (45) **Date of Patent:** **** Oct. 27, 2020**

(54) **SPINAL DISC IMPLANT**

(71) Applicant: **Nayan Manharlal Makwana**, Naples, FL (US)

(72) Inventor: **Nayan Manharlal Makwana**, Naples, FL (US)

(**) Term: **15 Years**

(21) Appl. No.: **29/687,050**

(22) Filed: **Apr. 10, 2019**

(51) **LOC (12) Cl.** **24-03**

(52) **U.S. Cl.**

USPC **D24/155**

(58) **Field of Classification Search**

USPC D24/155

CPC A61F 2/4611; A61F 2/442; A61F 2/447;
A61F 2220/0025; A61F 2310/00023;
A61F 2310/00017; A61F 2002/4475;
A61F 2002/30841; A61F 2002/2835;
A61F 2002/30904; A61F 2002/30785;
A61F 2002/443; A61F 2002/30578

See application file for complete search history.

(56) **References Cited**

U.S. PATENT DOCUMENTS

D598,105 S * 8/2009 Krishna D24/155
D623,750 S * 9/2010 Duffield D24/155

D790,704 S * 6/2017 Yang D24/155
D829,909 S * 10/2018 Horton D24/155
D850,620 S * 6/2019 Tyber D24/155
D857,201 S * 8/2019 Predick A61B 17/8061
D24/155

* cited by examiner

Primary Examiner — Charles D Hanson

(57) **CLAIM**

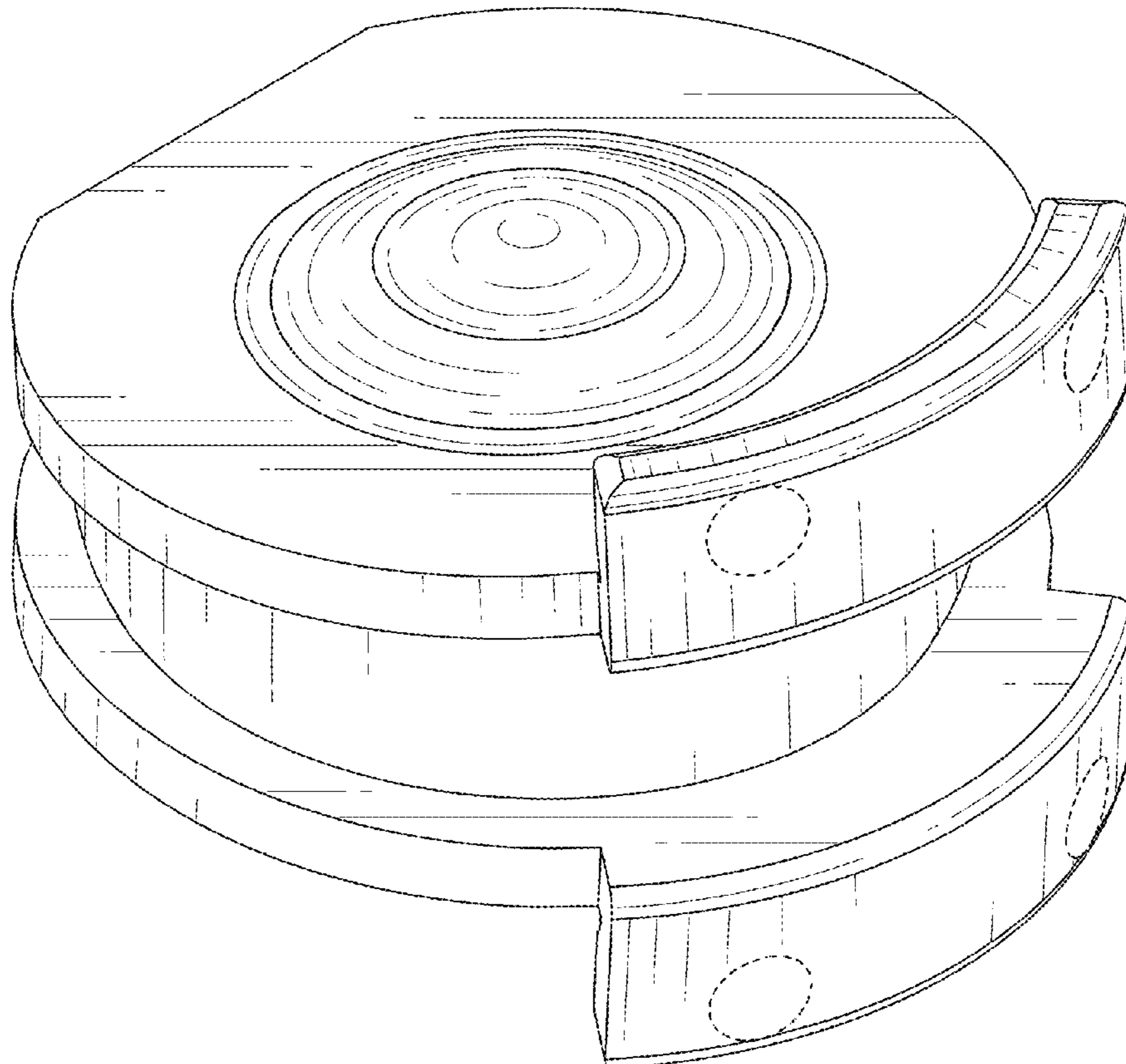
The ornamental design for a spinal disc implant, as shown and described.

DESCRIPTION

FIG. 1 is a front-top perspective view of a spinal disc implant showing my new design;
FIG. 2 is a front-bottom perspective view thereof;
FIG. 3 is a rear-top perspective view thereof;
FIG. 4 is a rear-bottom perspective view thereof;
FIG. 5 is a front elevational view thereof with the rear elevational view being mirrored thereto;
FIG. 6 is a left elevational view thereof;
FIG. 7 is a right elevational view thereof; and,
FIG. 8 is a top plan view thereof with the bottom plan view being mirrored thereto.

The broken lines showing the fastener holes shown in FIGS. 1-7 are included for the purpose of showing environmental structure and form no part of the claimed design.

1 Claim, 8 Drawing Sheets



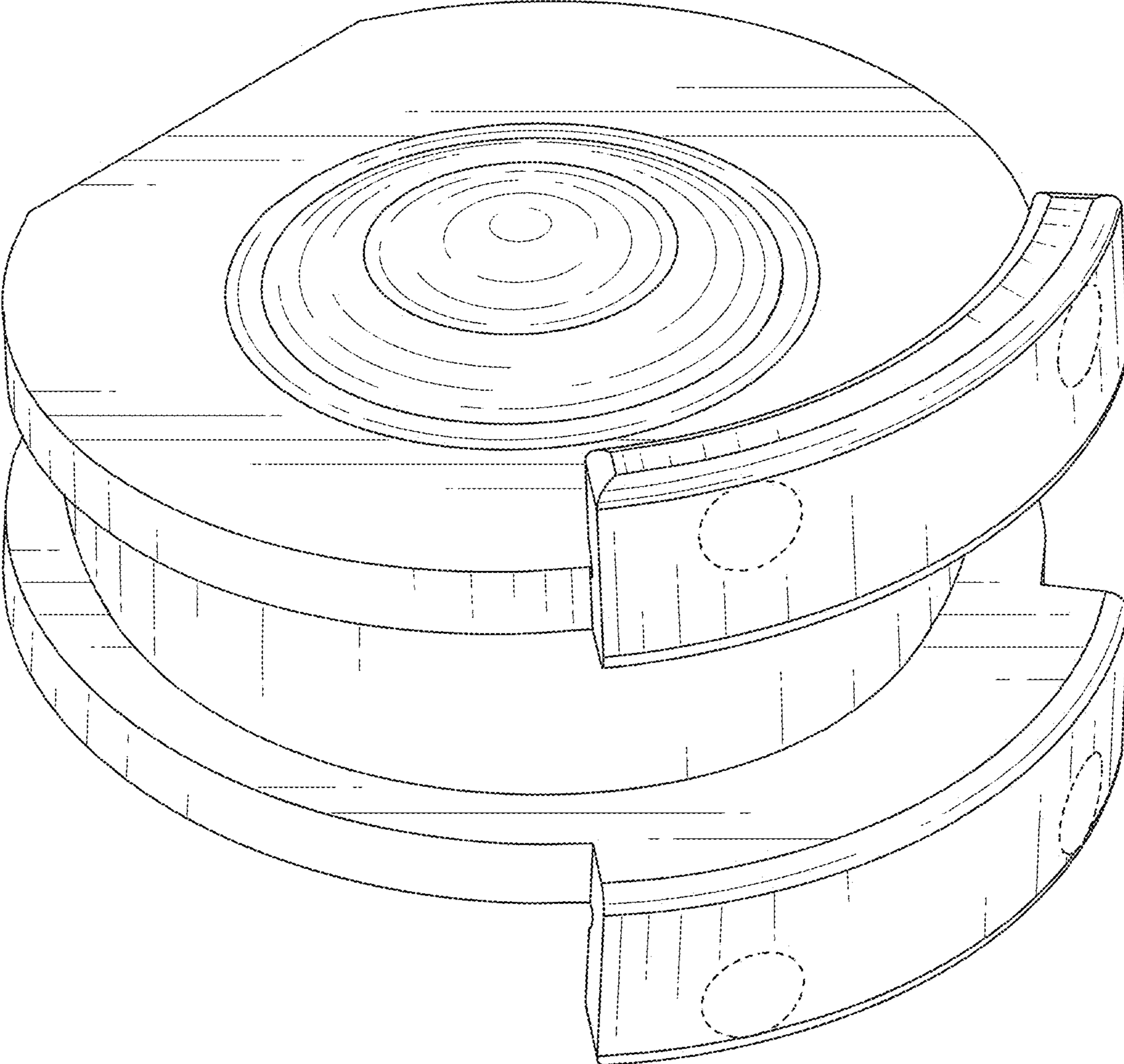


FIG. 1

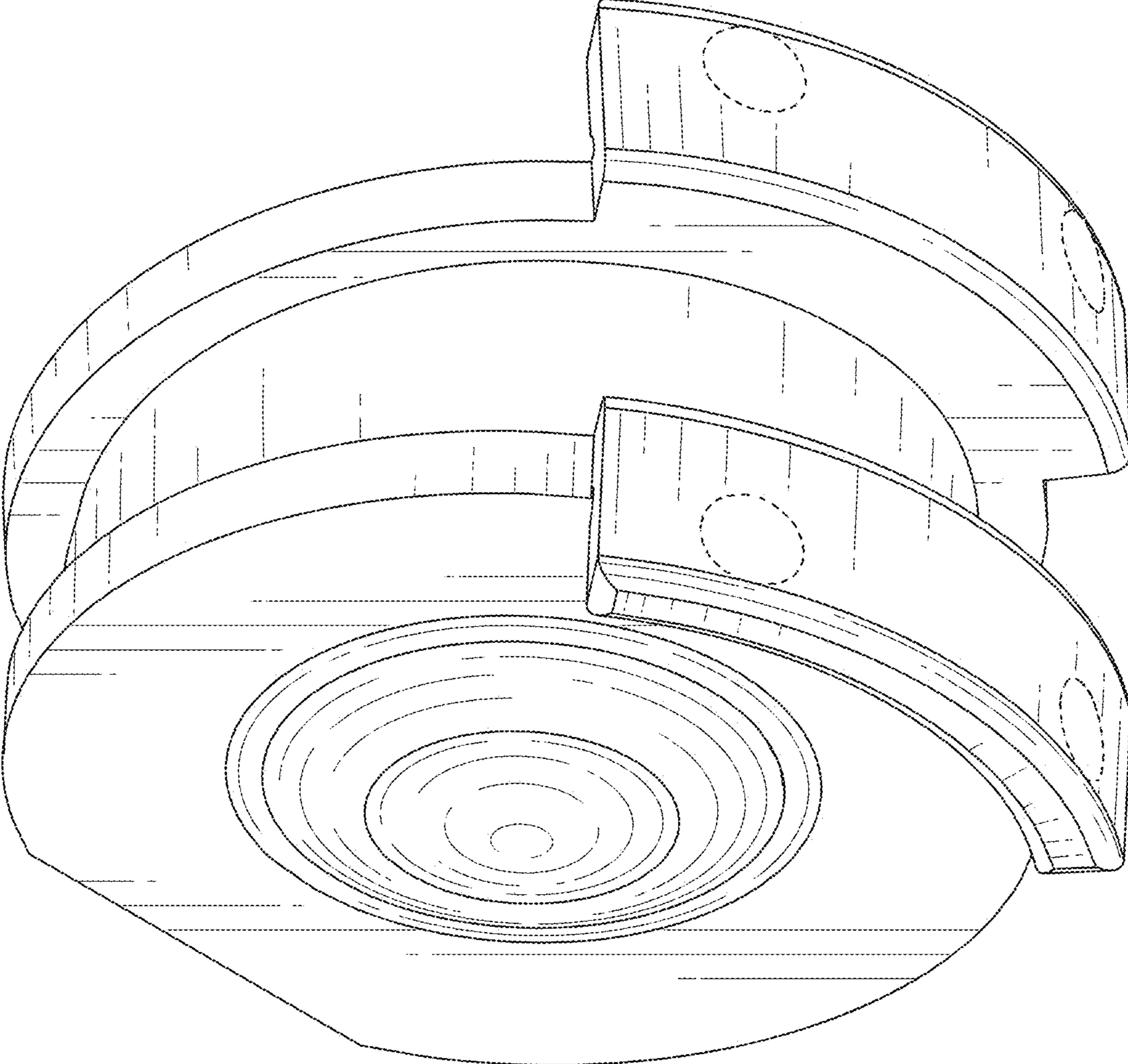


FIG. 2

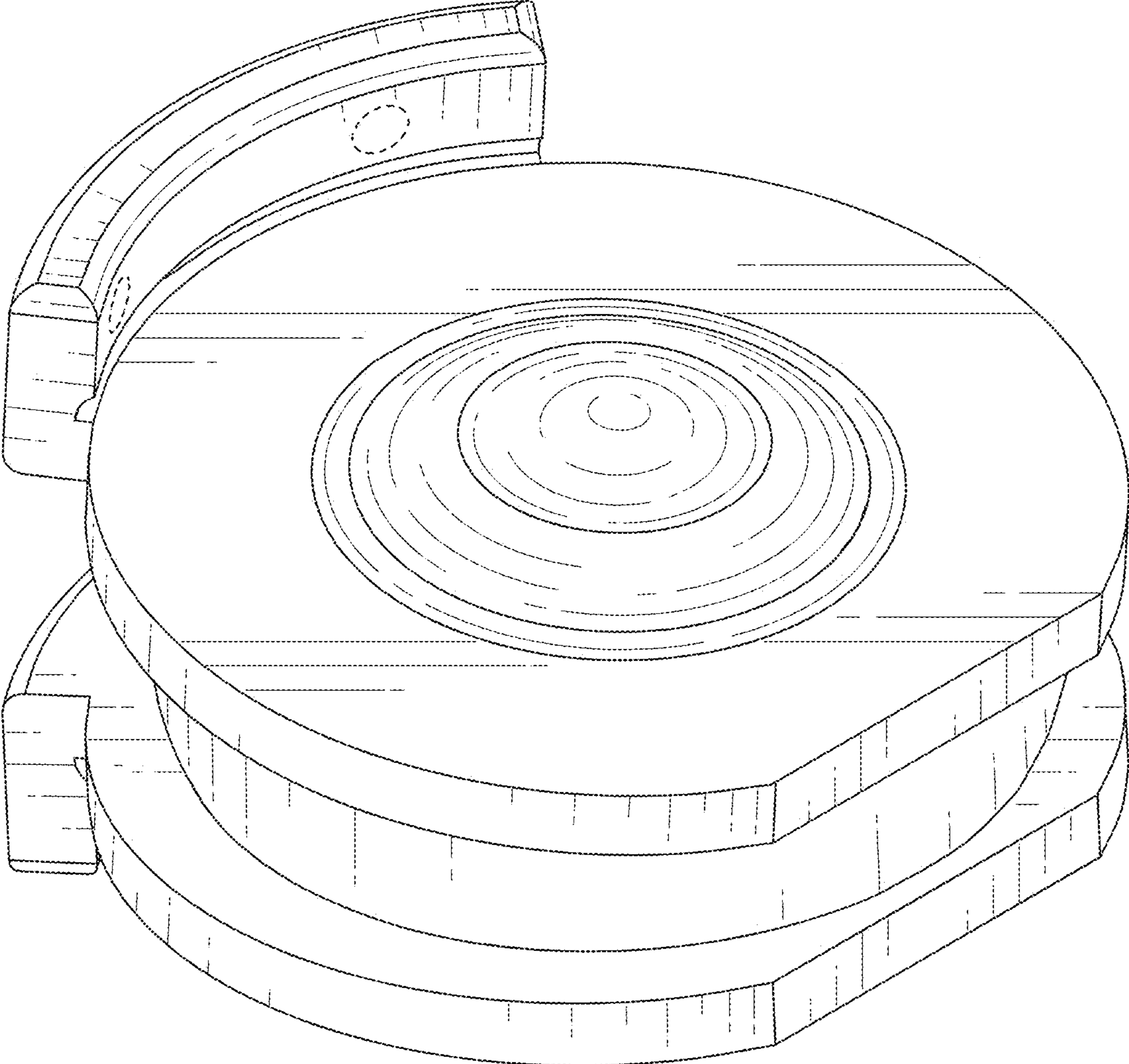


FIG. 3

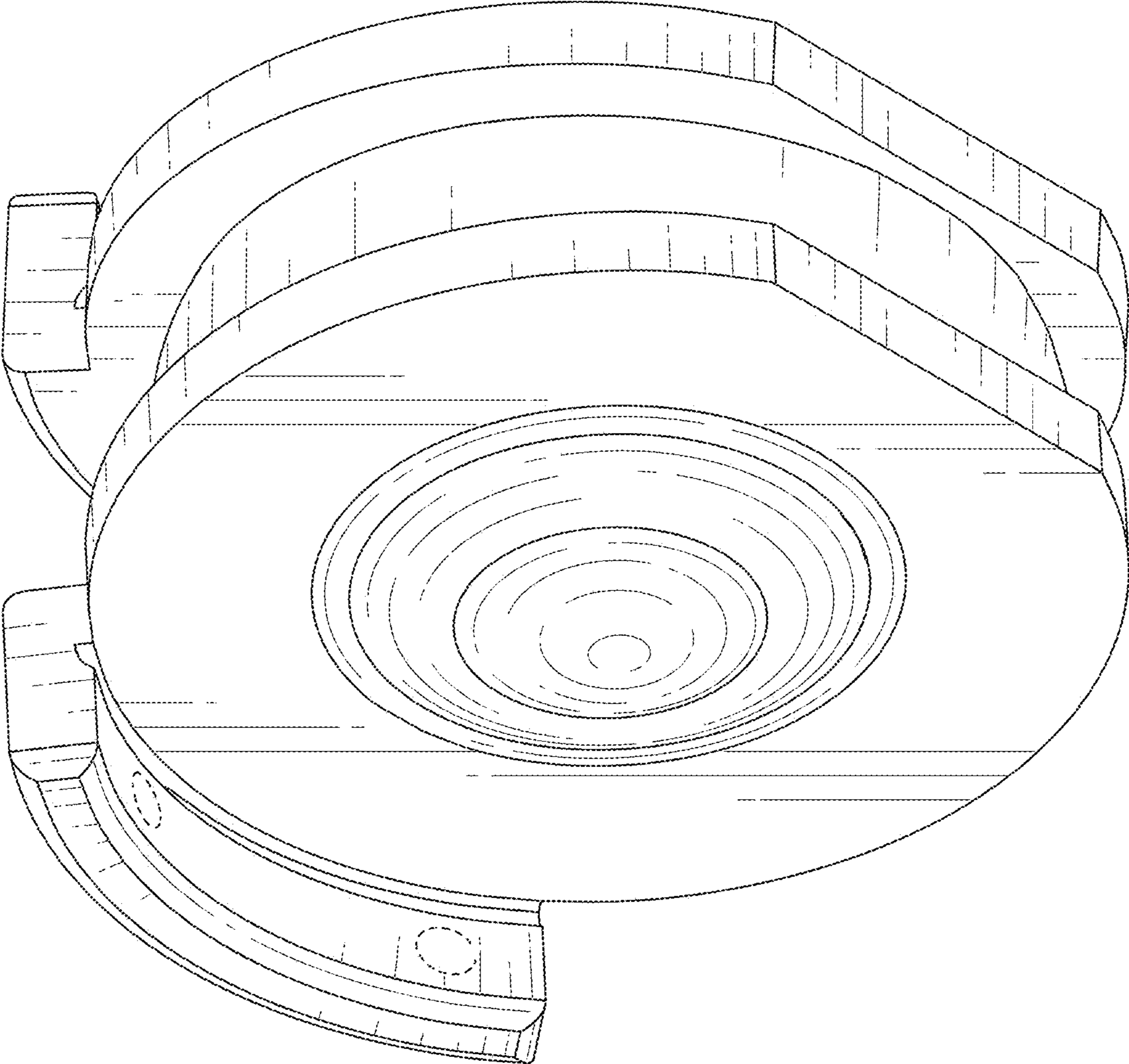


FIG. 4

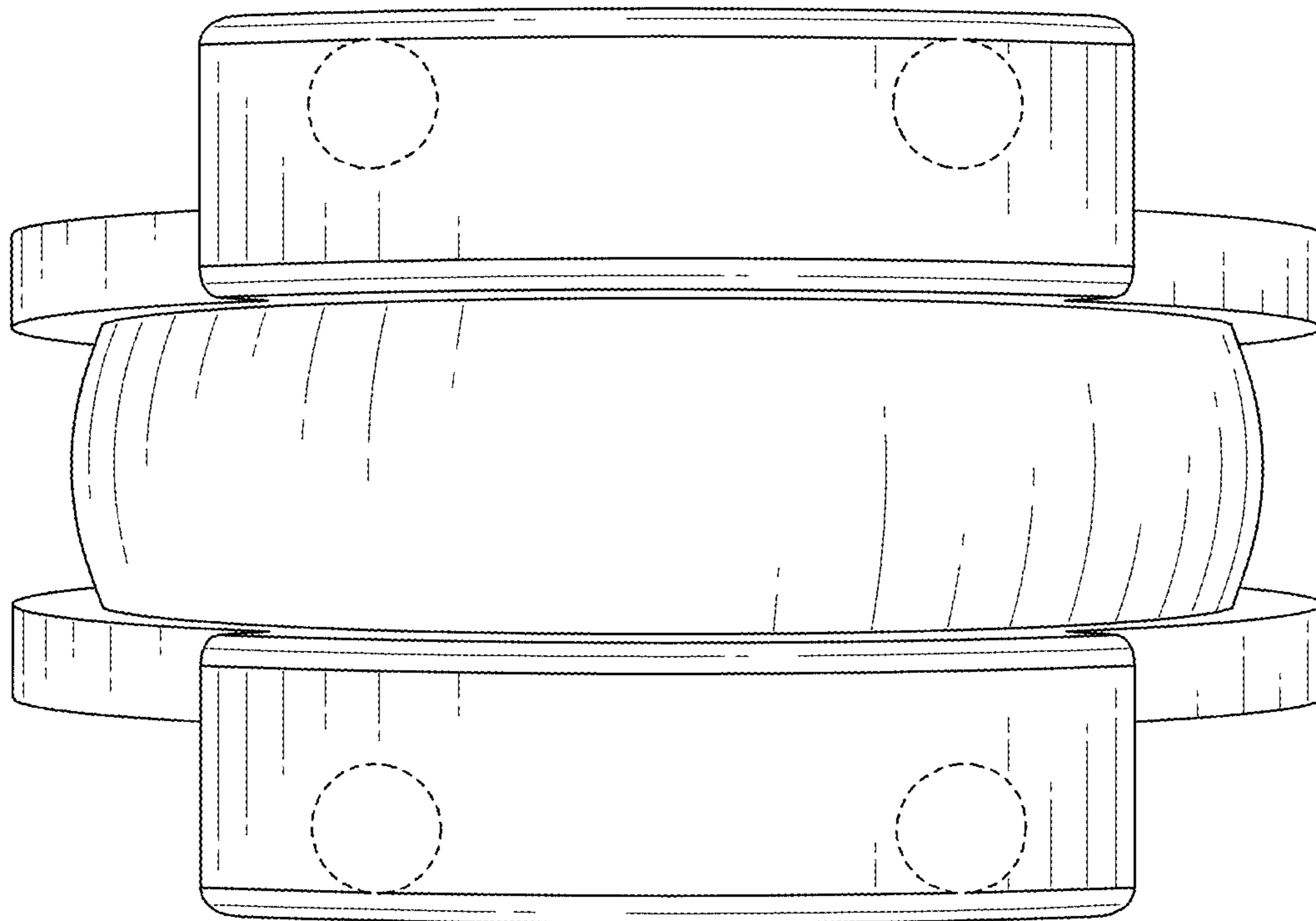


FIG. 5

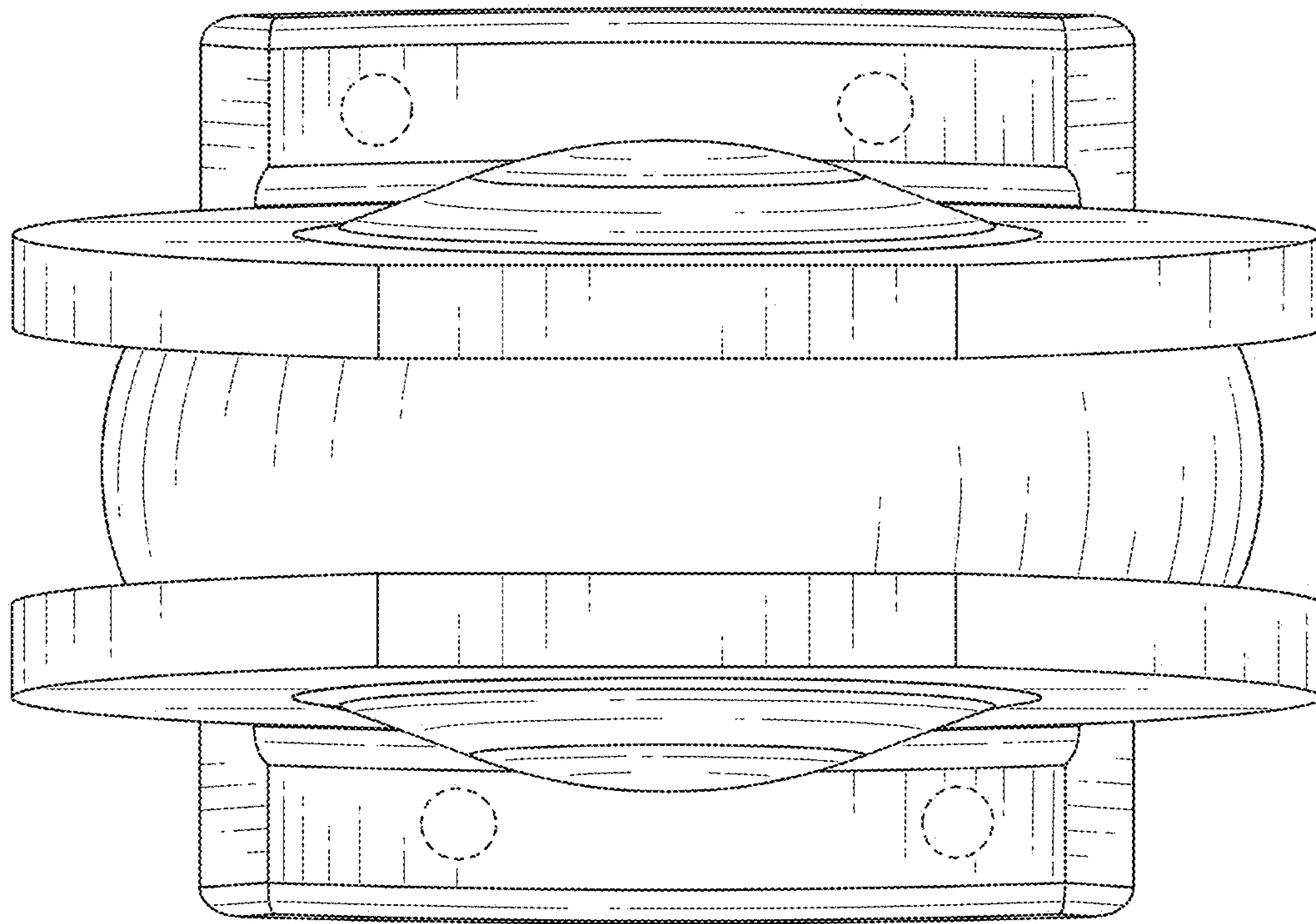


FIG. 6

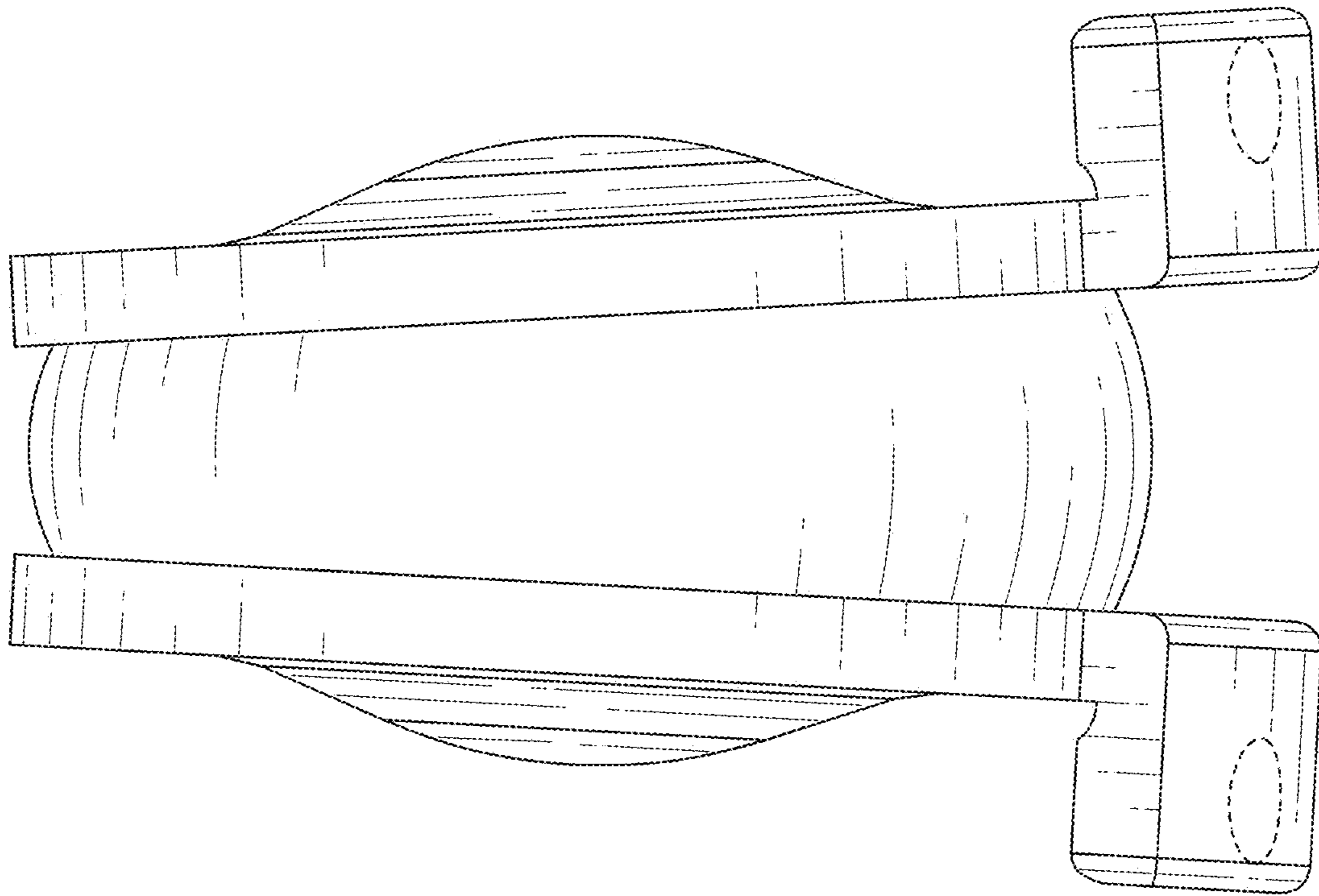


FIG. 7

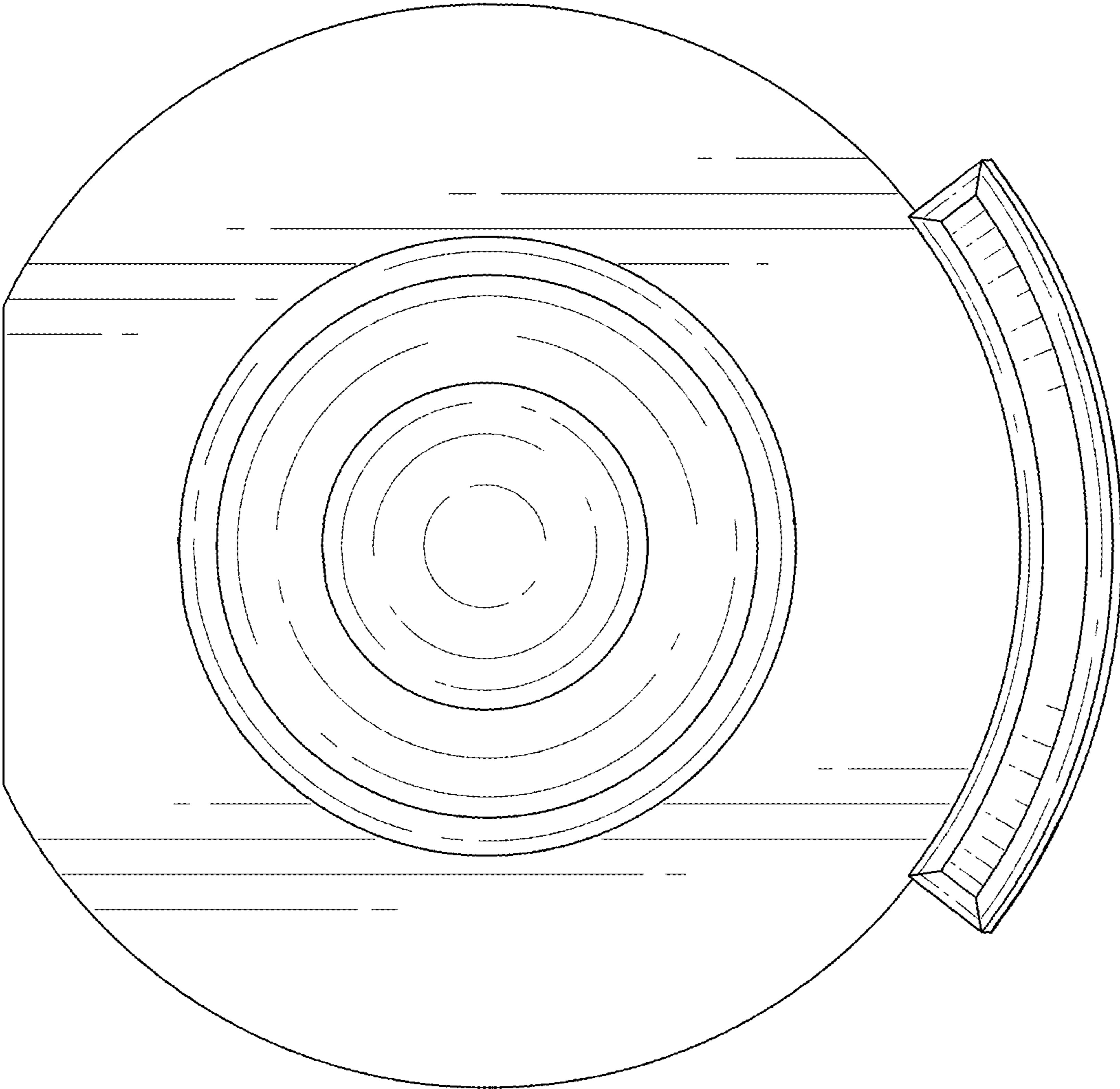


FIG. 8