



US00D900316S

(12) **United States Design Patent** (10) **Patent No.:** **US D900,316 S**  
**Eikanas et al.** (45) **Date of Patent:** **\*\* Oct. 27, 2020**

(54) **DOCKING ASSEMBLY**  
(71) Applicant: **AMO Development, LLC**, Santa Ana, CA (US)  
(72) Inventors: **Brent Eikanas**, Brentwood, CA (US); **Carlos Castro**, San Jose, CA (US)  
(73) Assignee: **AMO Development, LLC**, Santa Ana, CA (US)  
(\*\*) Term: **14 Years**  
(21) Appl. No.: **29/510,845**  
(22) Filed: **Dec. 3, 2014**  
(51) **LOC (12) Cl.** ..... **24-02**  
(52) **U.S. Cl.**  
USPC ..... **D24/150**  
(58) **Field of Classification Search**  
USPC ..... D24/137, 138, 150, 172; 351/218, 200, 351/221, 216, 222, 225, 243, 244, 246; 600/200, 175  
CPC ..... A61F 9/00825; A61F 2009/00872; A61F 2009/00863; A61F 2009/0087; A61F 2009/00851; A61B 5/0066  
See application file for complete search history.

8,350,183 B2 1/2013 Vogel et al.  
8,382,745 B2 2/2013 Naranjo-Tackman et al.  
8,414,564 B2 4/2013 Goldshleger et al.  
D738,509 S \* 9/2015 van Elzakker ..... D24/172  
D738,510 S \* 9/2015 Wing ..... D24/172  
D739,016 S \* 9/2015 Berci ..... D24/138  
D745,669 S \* 12/2015 Swift ..... D24/137  
D745,681 S \* 12/2015 Wangler ..... D24/172  
D747,806 S \* 1/2016 Wargner ..... D24/150  
D748,268 S \* 1/2016 Billard ..... D24/172  
D760,388 S \* 6/2016 Slawson ..... D24/137  
D761,965 S \* 7/2016 Wangler ..... D24/172  
D762,853 S \* 8/2016 Amano ..... D24/138  
D765,840 S \* 9/2016 Miller ..... D24/137  
2008/0089480 A1 \* 4/2008 Gertner ..... A61N 5/1017 378/65

2011/0319873 A1 12/2011 Raksi et al.  
2011/0319875 A1 12/2011 Loesel et al.

(Continued)

*Primary Examiner* — Lakiya G Rogers  
*Assistant Examiner* — Carissa C Fitts  
(74) *Attorney, Agent, or Firm* — Johnson & Johnson Surgical Vision, Inc.

(57) **CLAIM**

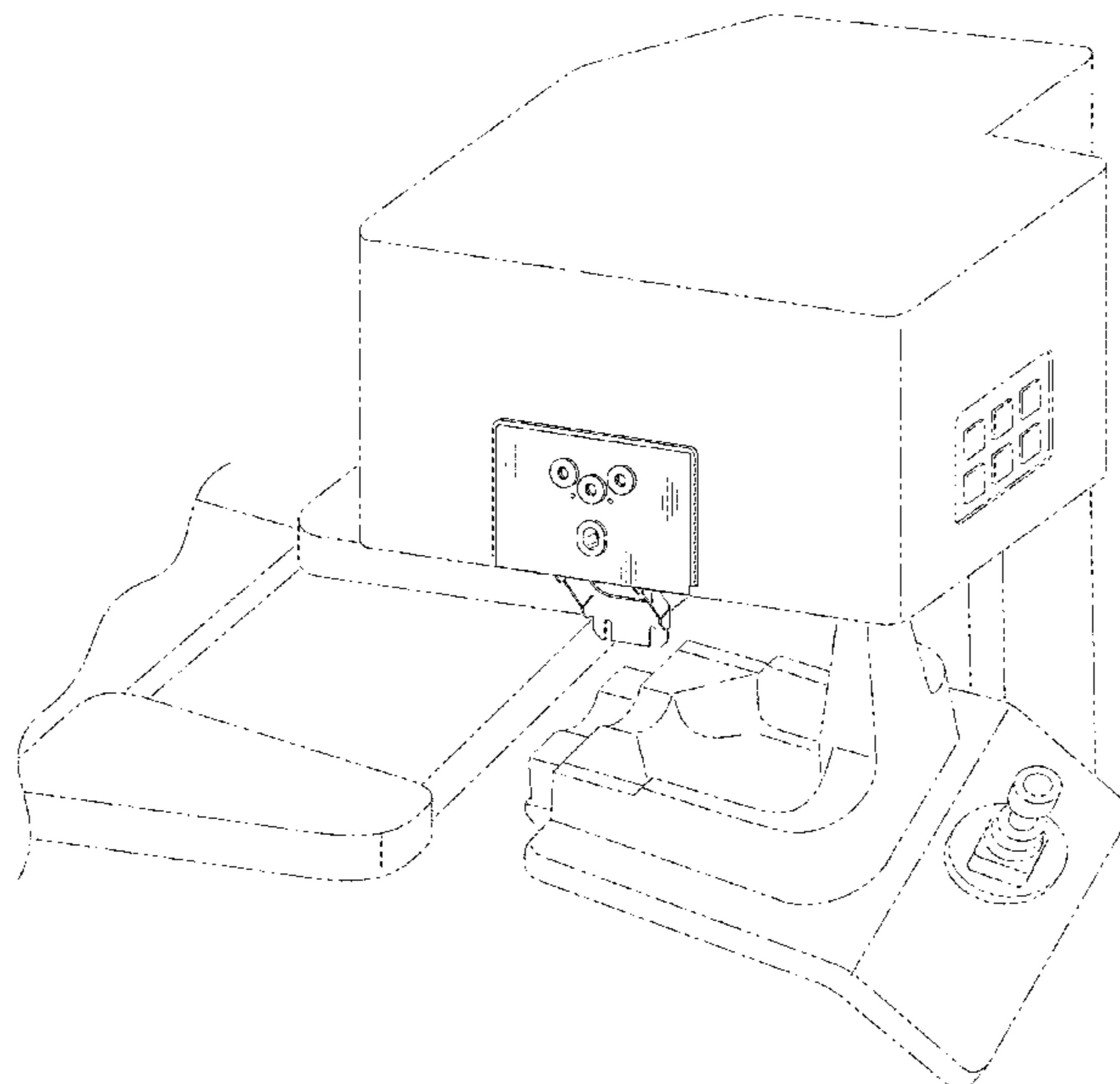
We claim the ornamental design for a docking assembly, as shown and described.

**DESCRIPTION**

FIG. 1 is a perspective view of a docking assembly of the present application, mounted on one side of an ophthalmic intervention system shown in phantom;  
FIG. 2 is a front view of the docking assembly;  
FIG. 3 is a rear view of the docking assembly;  
FIG. 4 is a right side view of the docking assembly;  
FIG. 5 is a left side view of the docking assembly;  
FIG. 6 is a top view of the docking assembly; and,  
FIG. 7 is a bottom view of the docking assembly.  
The broken lines show portions of the article which form no part of the claimed design.

**1 Claim, 4 Drawing Sheets**

(56) **References Cited**  
U.S. PATENT DOCUMENTS  
5,720,894 A 2/1998 Neev et al.  
5,957,915 A 9/1999 Trost  
5,984,916 A 11/1999 Lai  
6,019,472 A 2/2000 Koester et al.  
6,454,761 B1 9/2002 Freedman  
6,477,442 B1 \* 11/2002 Valerino, Sr. .... B65G 51/34 414/730  
7,655,002 B2 2/2010 Myers et al.  
7,717,907 B2 5/2010 Ruiz et al.  
D636,080 S \* 4/2011 Goldberg ..... D24/137  
8,262,646 B2 9/2012 Frey et al.



(56)

**References Cited**

U.S. PATENT DOCUMENTS

2013/0110092 A1\* 5/2013 Yee ..... A61F 9/00821  
606/4  
2014/0128821 A1\* 5/2014 Gooding ..... A61M 1/0052  
604/290

\* cited by examiner

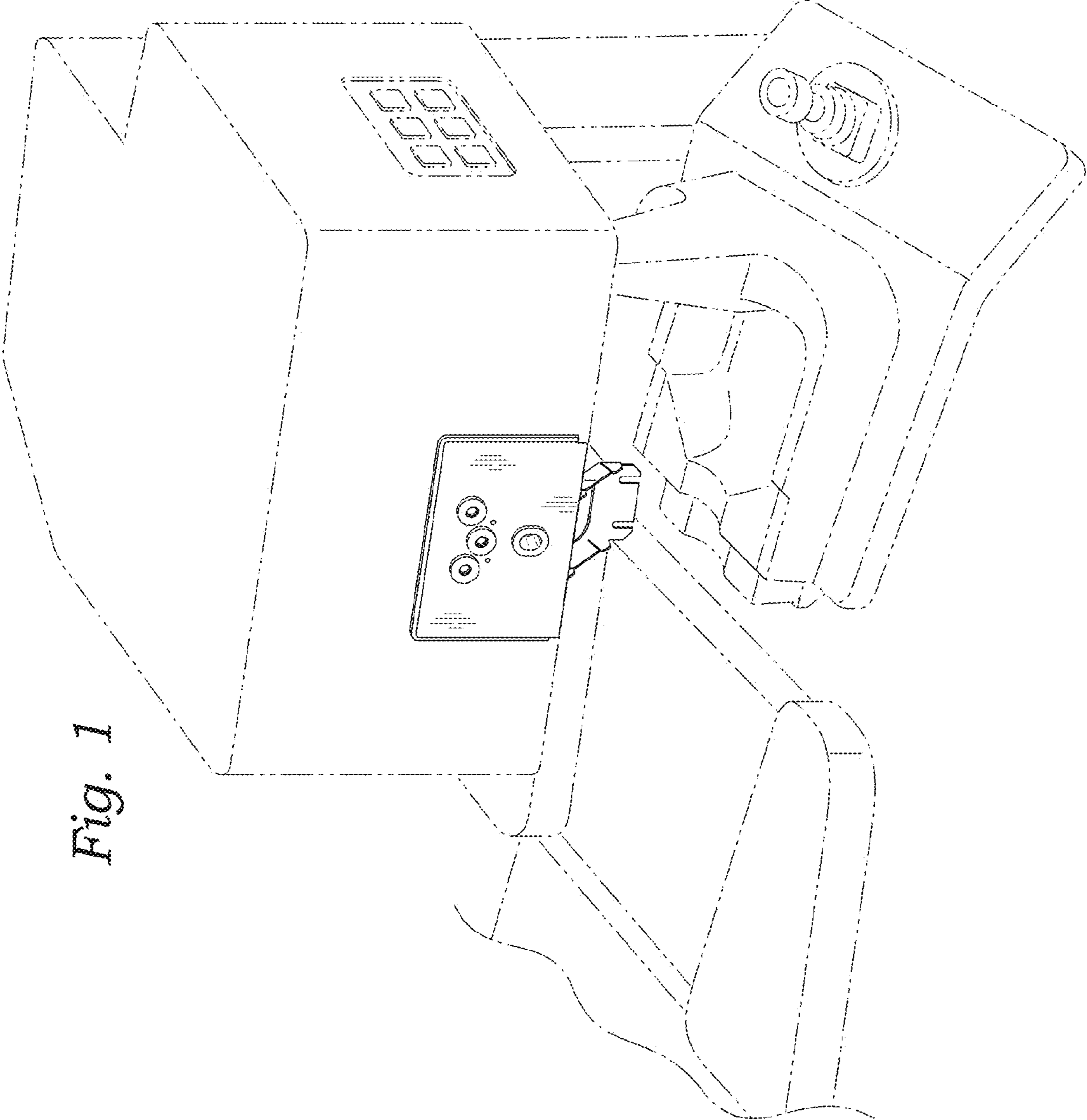
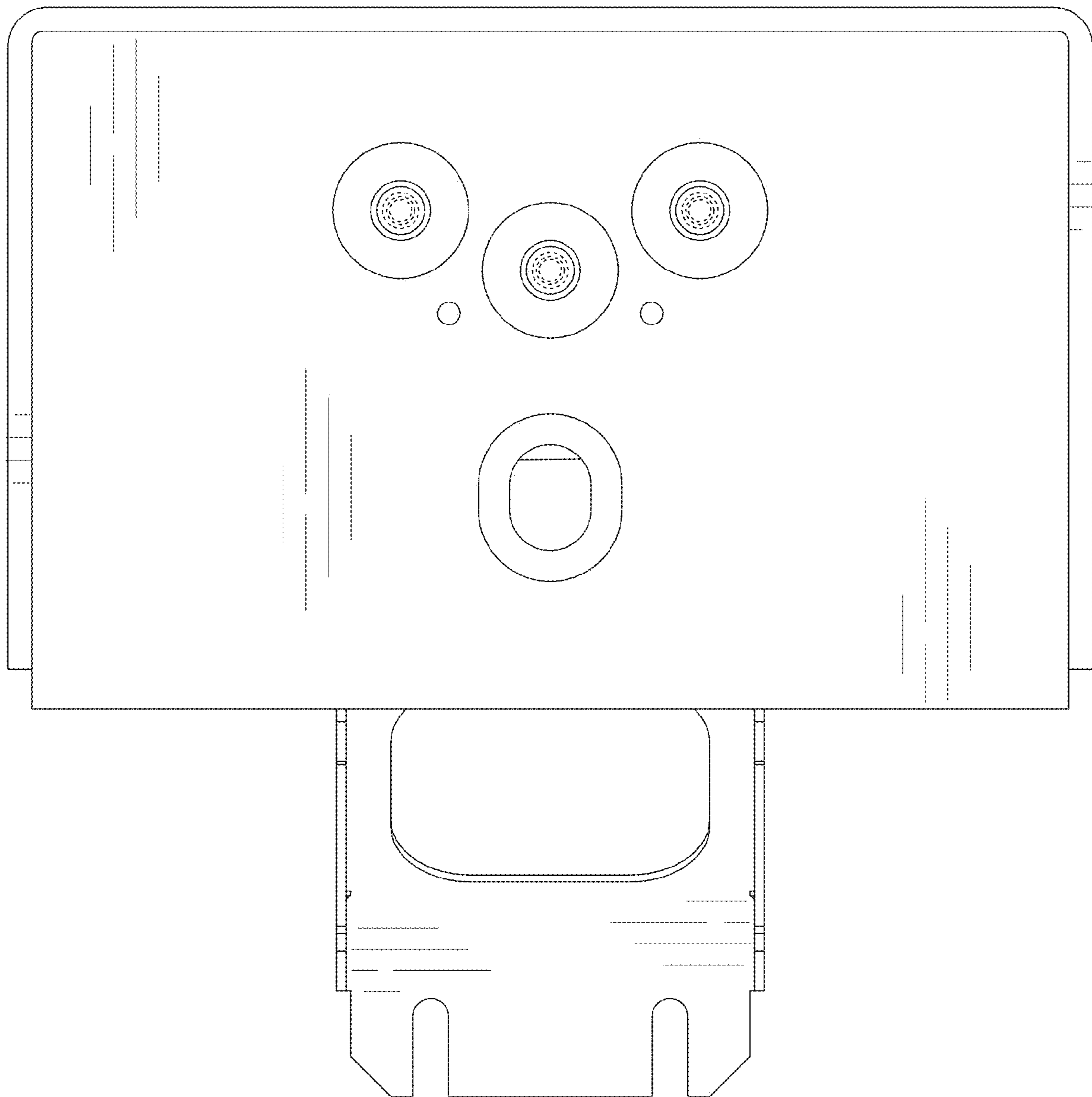


Fig. 1

*Fig. 2*



*Fig. 3*

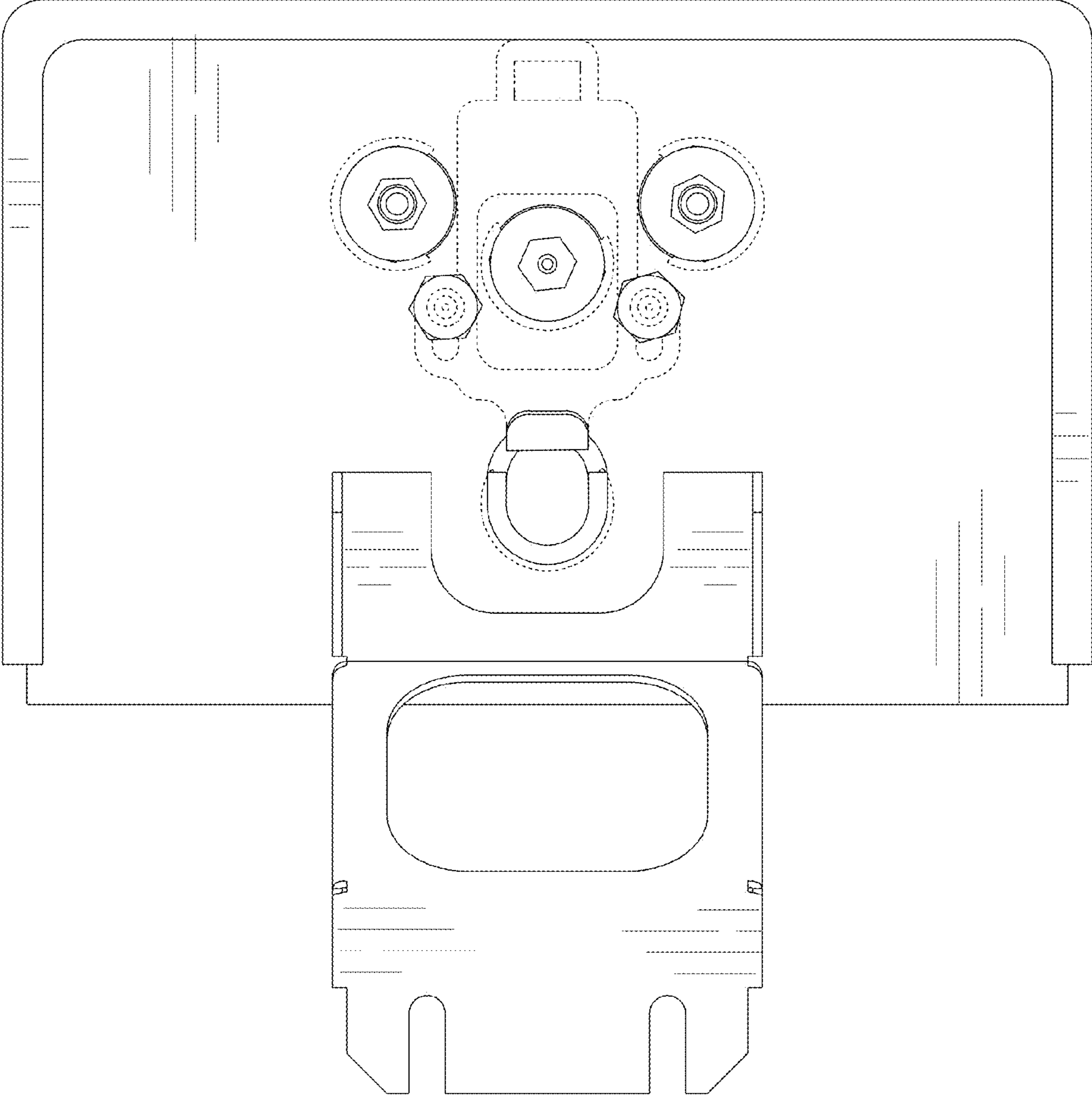


Fig. 6

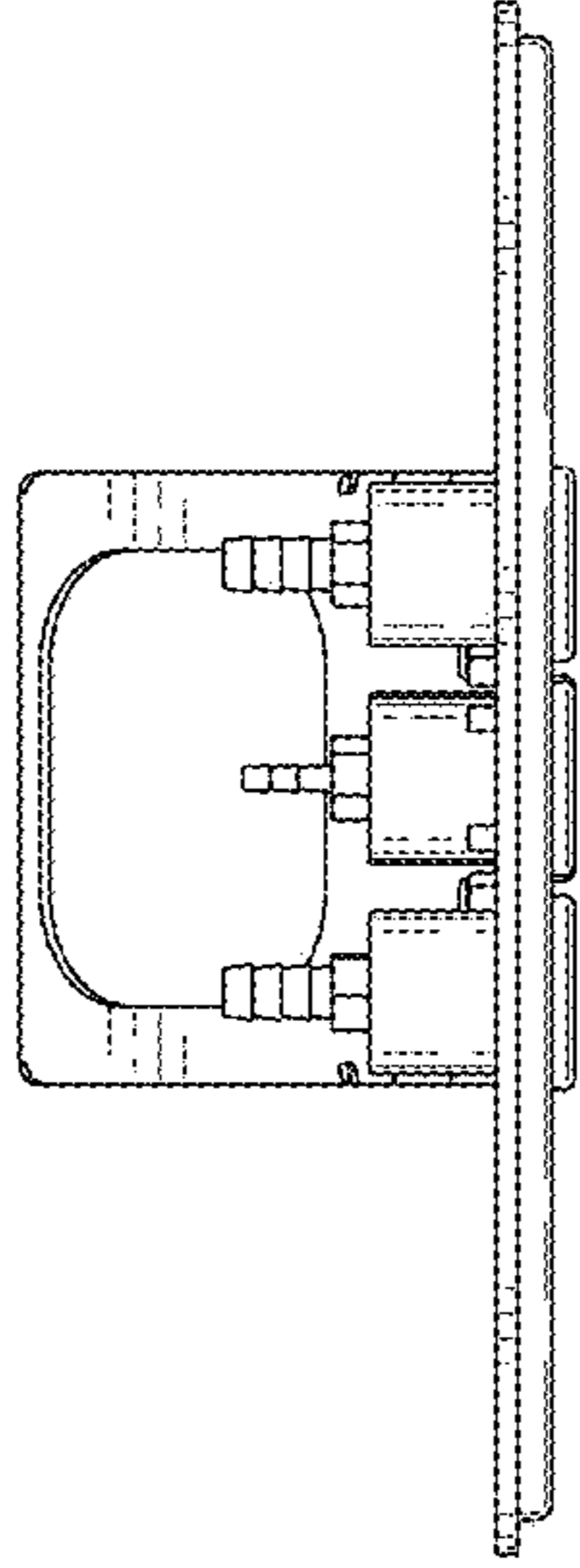


Fig. 7

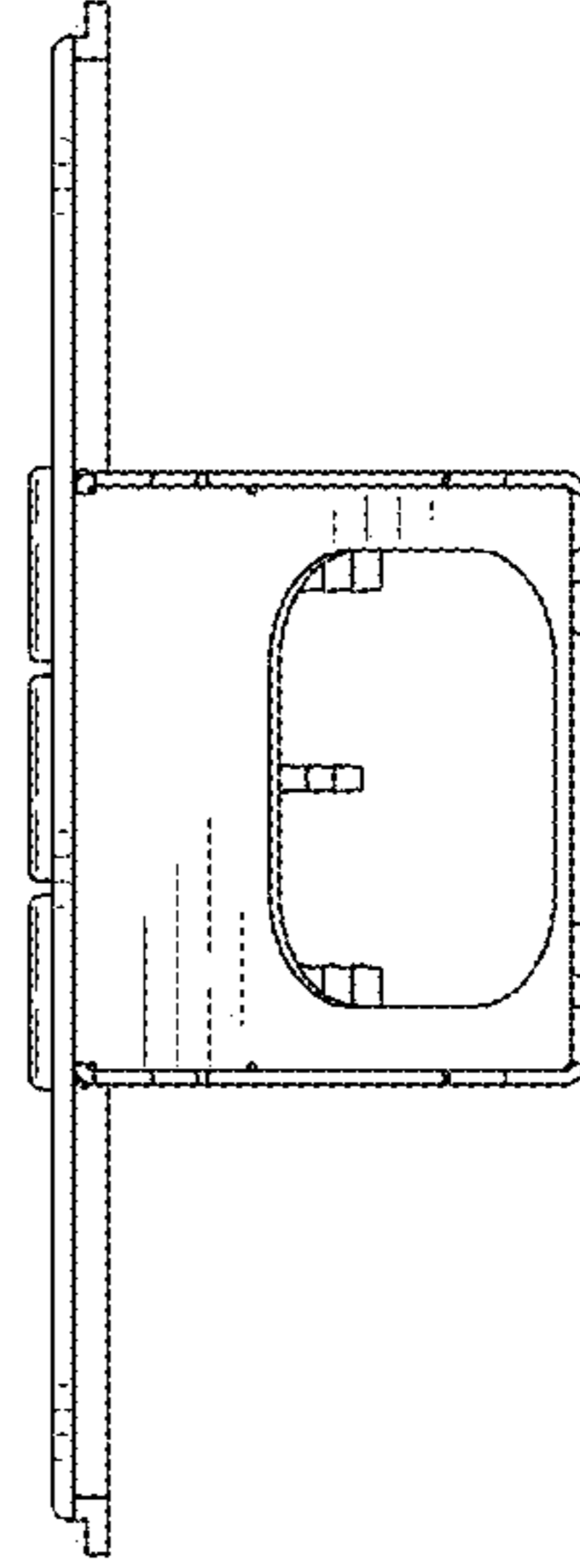


Fig. 5

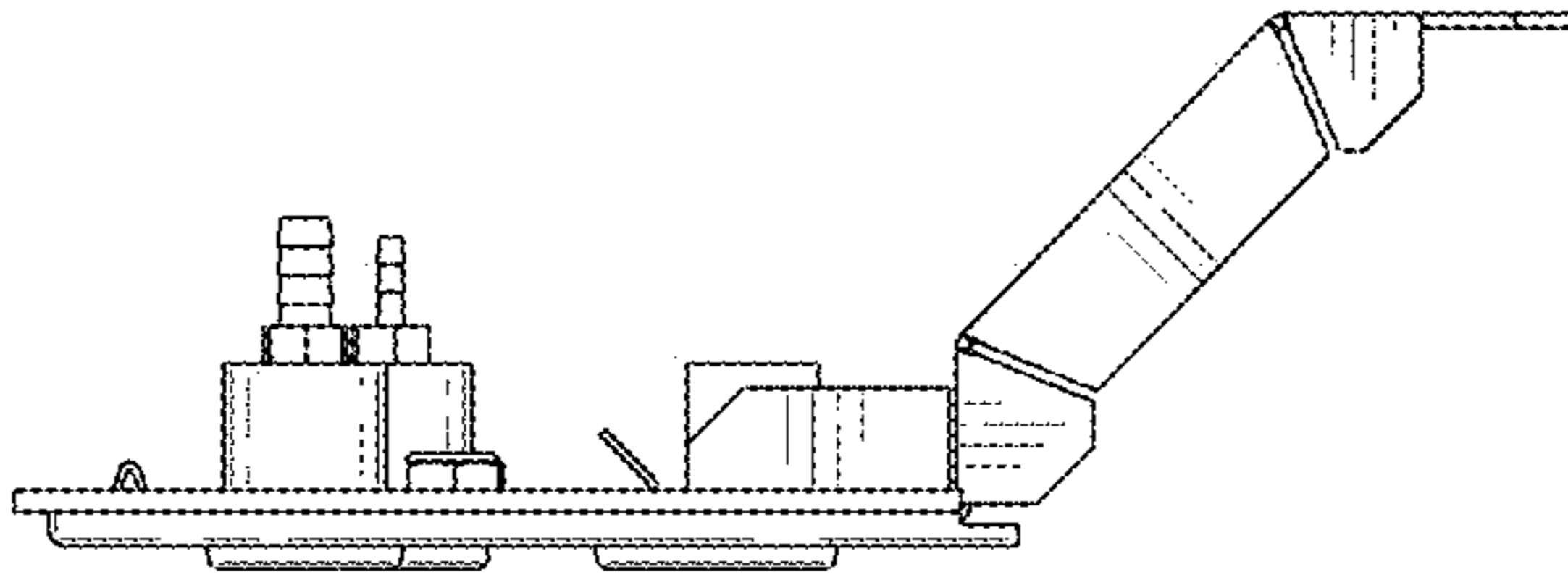


Fig. 4

