



US00D900315S

(12) **United States Design Patent** (10) **Patent No.:** **US D900,315 S**
Breiner (45) **Date of Patent:** **** Oct. 27, 2020**

(54) **MULTI-DEGREE-OF-FREEDOM SURGICAL CLIP**

(74) *Attorney, Agent, or Firm* — Tarolli, Sundheim, Covell & Tummino LLP

(71) Applicant: **Edward Via Virginia College Of Osteopathic Medicine**, Blacksburg, VA (US)

(57) **CLAIM**

I claim the ornamental design for a multi-degree-of-freedom surgical clip, as shown and described.

(72) Inventor: **Michael Breiner**, Roanoke, VA (US)

DESCRIPTION

(73) Assignee: **EDWARD VIA VIRGINIA COLLEGE OF OSTEOPATHIC MEDICINE**, Blacksburg, VA (US)

FIG. 1 is a top perspective view of a multi-degree-of-freedom surgical clip comprising a new, original and ornamental design, in a first example use configuration;

(**) Term: **15 Years**

FIG. 2 is a bottom perspective view of the multi-degree-of-freedom surgical clip shown in FIG. 1;

(21) Appl. No.: **29/662,512**

FIG. 3 is a front view of the multi-degree-of-freedom surgical clip shown in FIG. 1;

(22) Filed: **Sep. 6, 2018**

FIG. 4 is a rear view of the multi-degree-of-freedom surgical clip shown in FIG. 1;

(51) **LOC (12) Cl.** **24-02**

(52) **U.S. Cl.**
USPC **D24/143**

FIG. 5 is a left side view of the multi-degree-of-freedom surgical clip shown in FIG. 1;

(58) **Field of Classification Search**
USPC D24/133, 143, 144, 169; D8/57, 52, 58, D8/72; 604/59, 60, 73

FIG. 6 is a right side view of the multi-degree-of-freedom surgical clip shown in FIG. 1;

CPC A61B 17/08; A61B 17/10; A61B 17/28; A61B 17/29; A61B 17/68; A61B 17/083; A61B 17/122; A61B 17/128; A61B 17/0487; A61B 17/0491; A61B 17/221; A61B 17/3403; A61B 17/2468; A61B (Continued)

FIG. 7 is a top view of the multi-degree-of-freedom surgical clip shown in FIG. 1;

FIG. 8 is a bottom view of the multi-degree-of-freedom surgical clip shown in FIG. 1;

FIG. 9 is a front perspective view of the multi-degree-of-freedom surgical clip shown in FIG. 1, in a second example use configuration;

FIG. 10 is a front view of the multi-degree-of-freedom surgical clip shown in FIG. 9;

FIG. 11 is a rear perspective view of the multi-degree-of-freedom surgical clip shown in FIG. 1, in a third example use configuration; and,

FIG. 12 is a right side view of the multi-degree-of-freedom surgical clip shown in FIG. 11.

The broken lines shown in the drawings are included for the purpose of illustrating portions of the multi-degree-of-freedom surgical clip, and form no part of the claimed design.

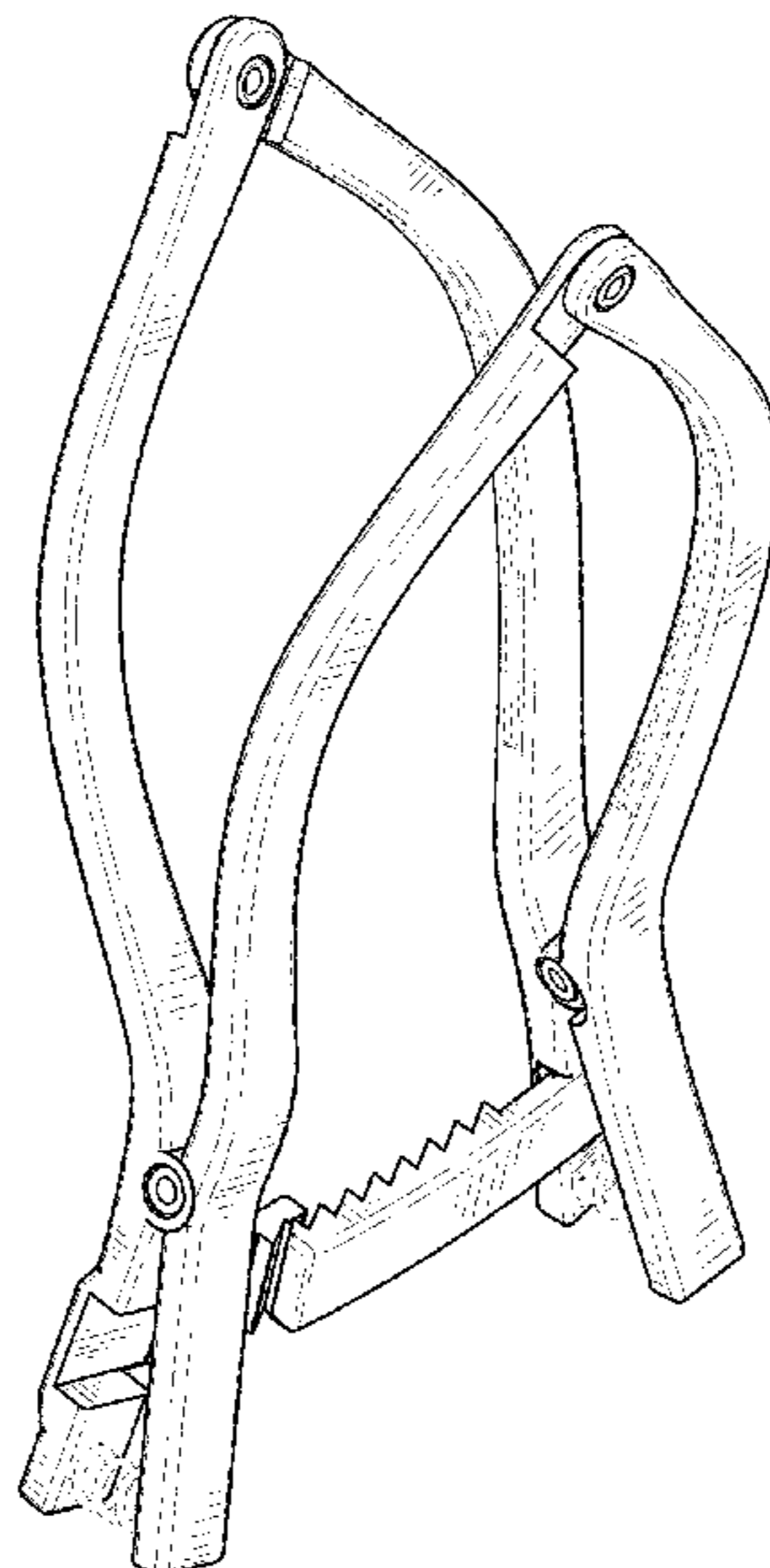
(56) **References Cited**

U.S. PATENT DOCUMENTS

- 4,444,187 A * 4/1984 Perlin A61B 17/1227 606/158
- D299,168 S * 12/1988 Bergstrom D24/143 (Continued)

Primary Examiner — Wan Laymon
Assistant Examiner — Clint A Samuel

1 Claim, 6 Drawing Sheets



(58) **Field of Classification Search**

CPC 2017/2808; A61B 2017/2926; A61B
2017/2946; A61M 27/00; A61M 27/002

See application file for complete search history.

(56) **References Cited**

U.S. PATENT DOCUMENTS

8,377,070 B2 * 2/2013 Gauthier A61B 17/2804
606/90
D687,694 S * 8/2013 Lin D8/58
D709,195 S * 7/2014 Peck D24/143
D792,971 S * 7/2017 Greenizen D24/143
D828,553 S * 9/2018 Callies D24/143
2019/0105045 A1 * 4/2019 Breiner A61B 17/083
2019/0150933 A1 * 5/2019 Lazic A61B 17/11
2020/0129264 A1 * 4/2020 Onativia Bravo A61B 90/90
2020/0138462 A1 * 5/2020 Vogtherr A61B 17/3201

* cited by examiner

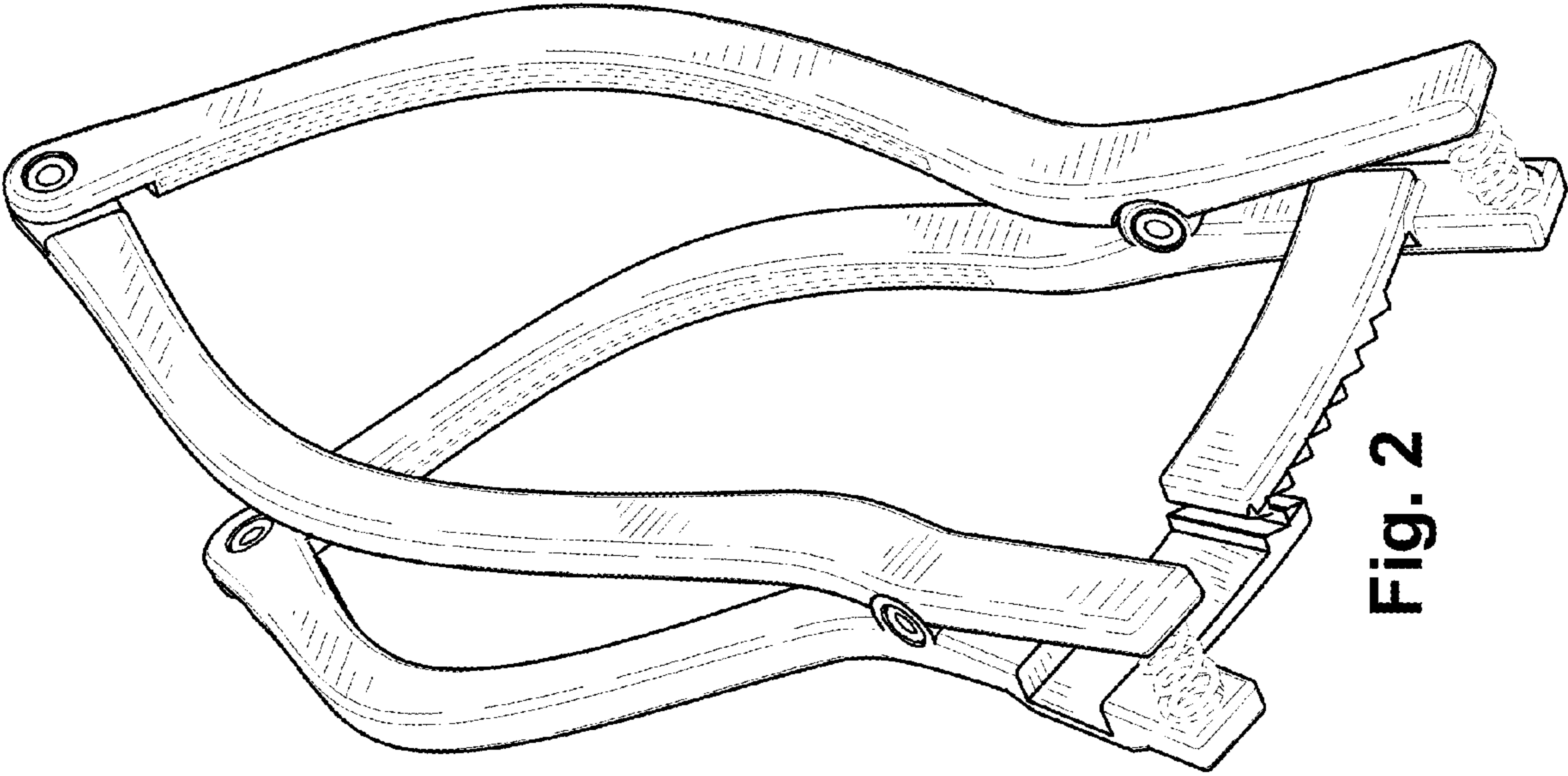


Fig. 2

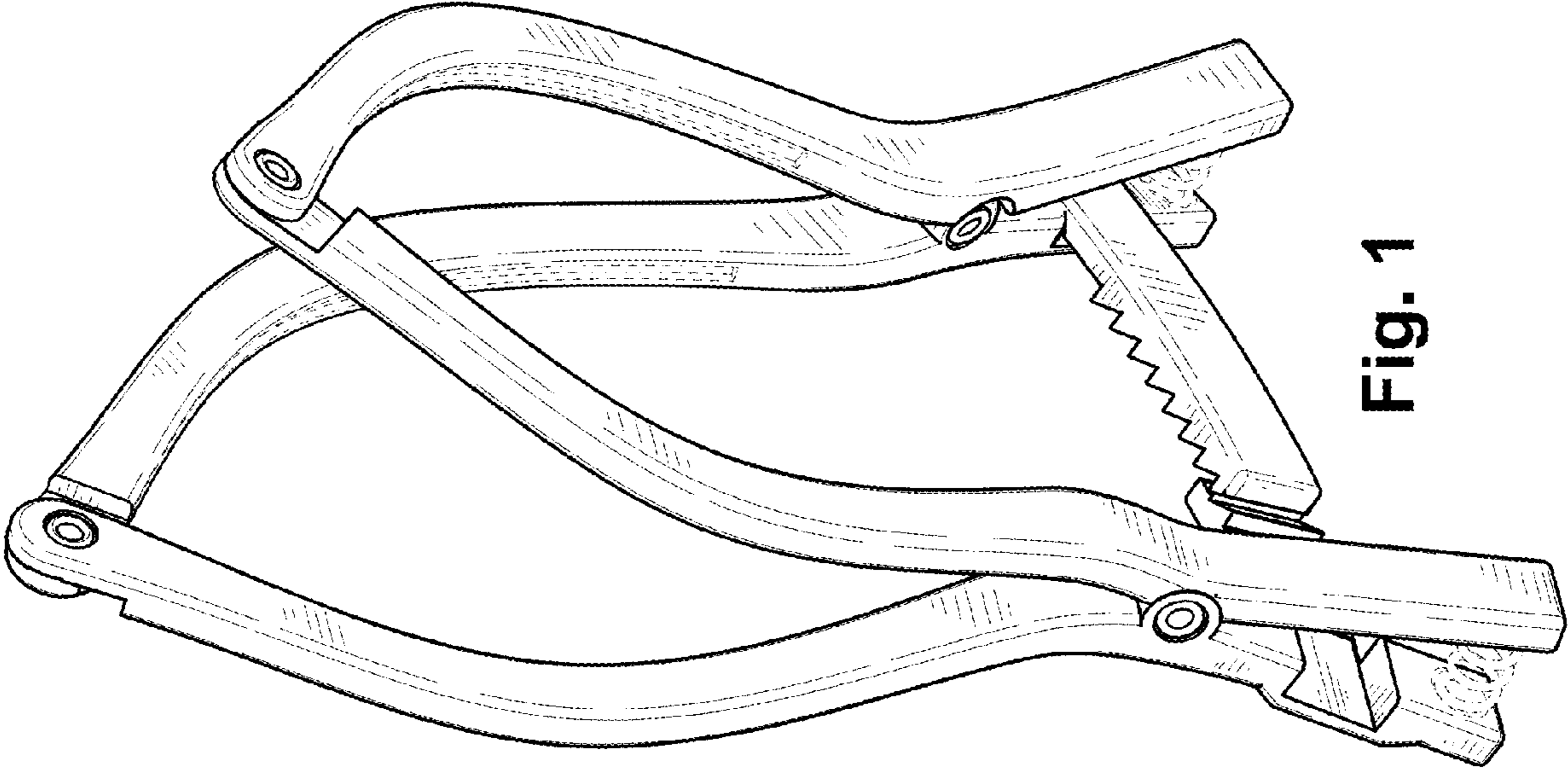


Fig. 1

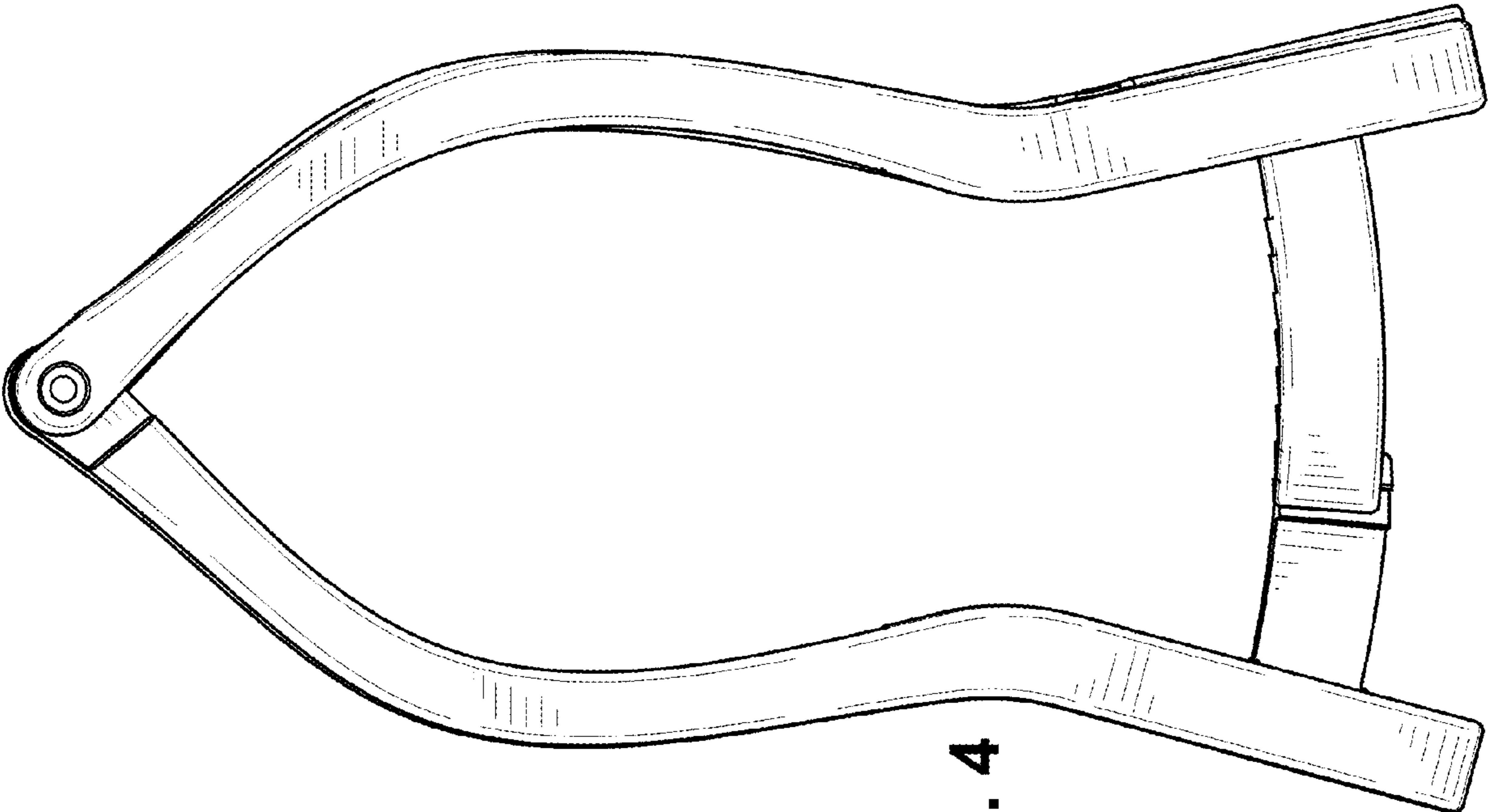


Fig. 4

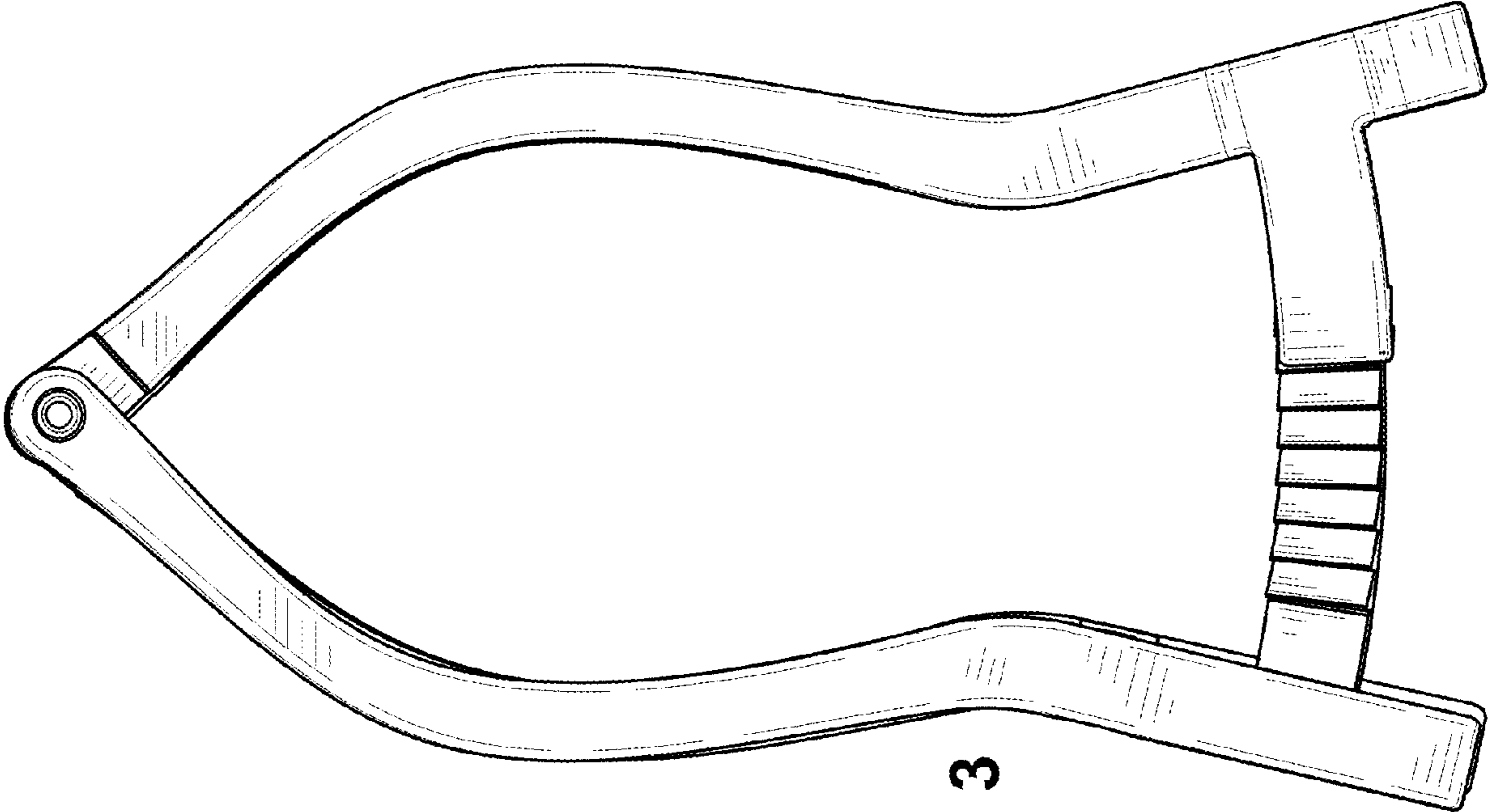


Fig. 3

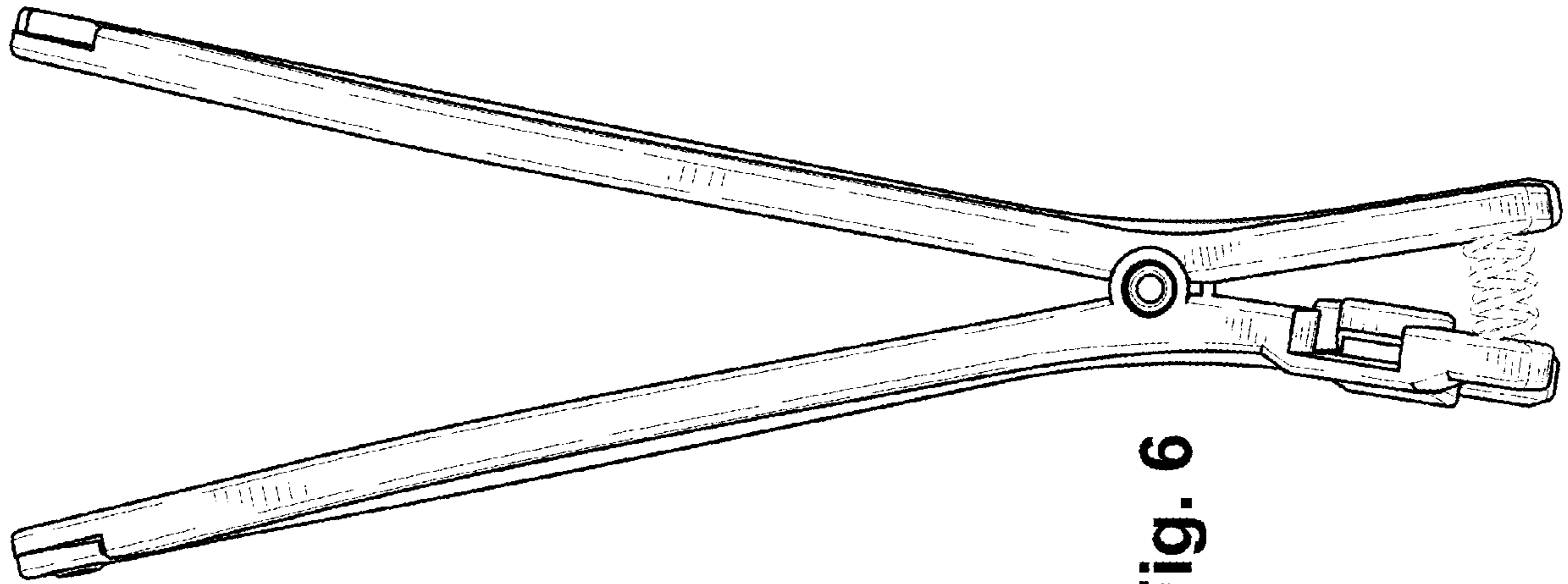


Fig. 6

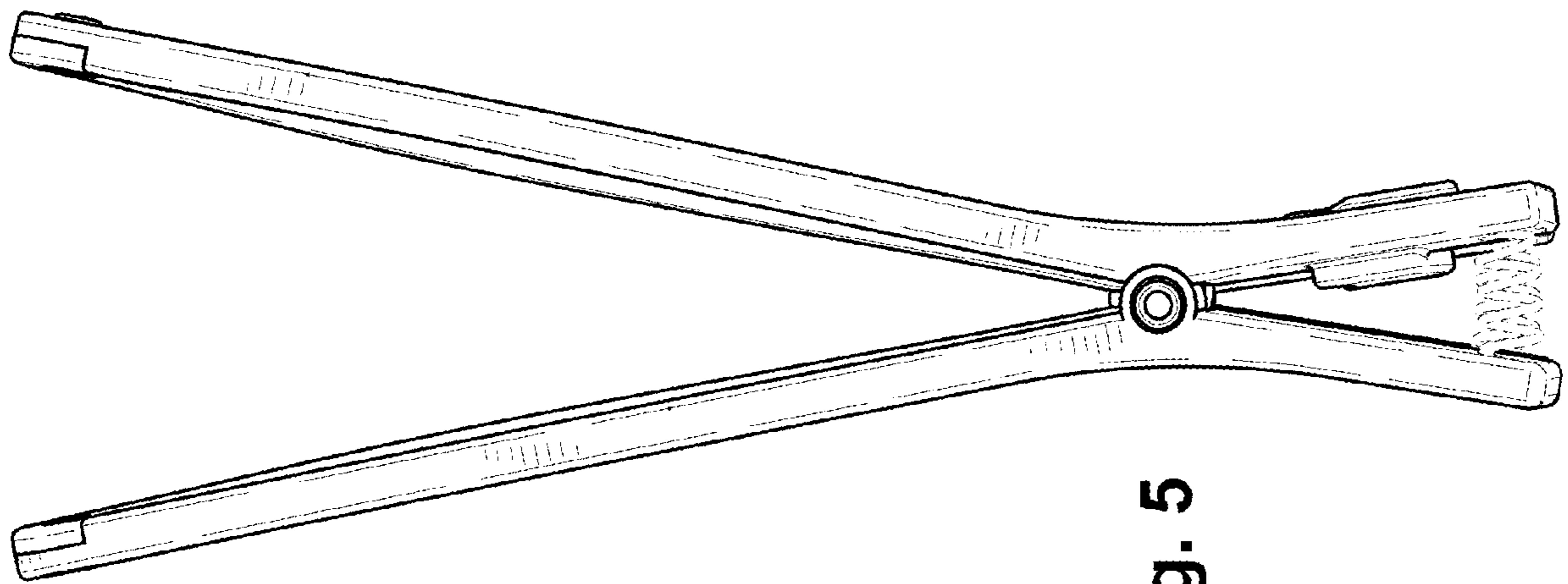


Fig. 5

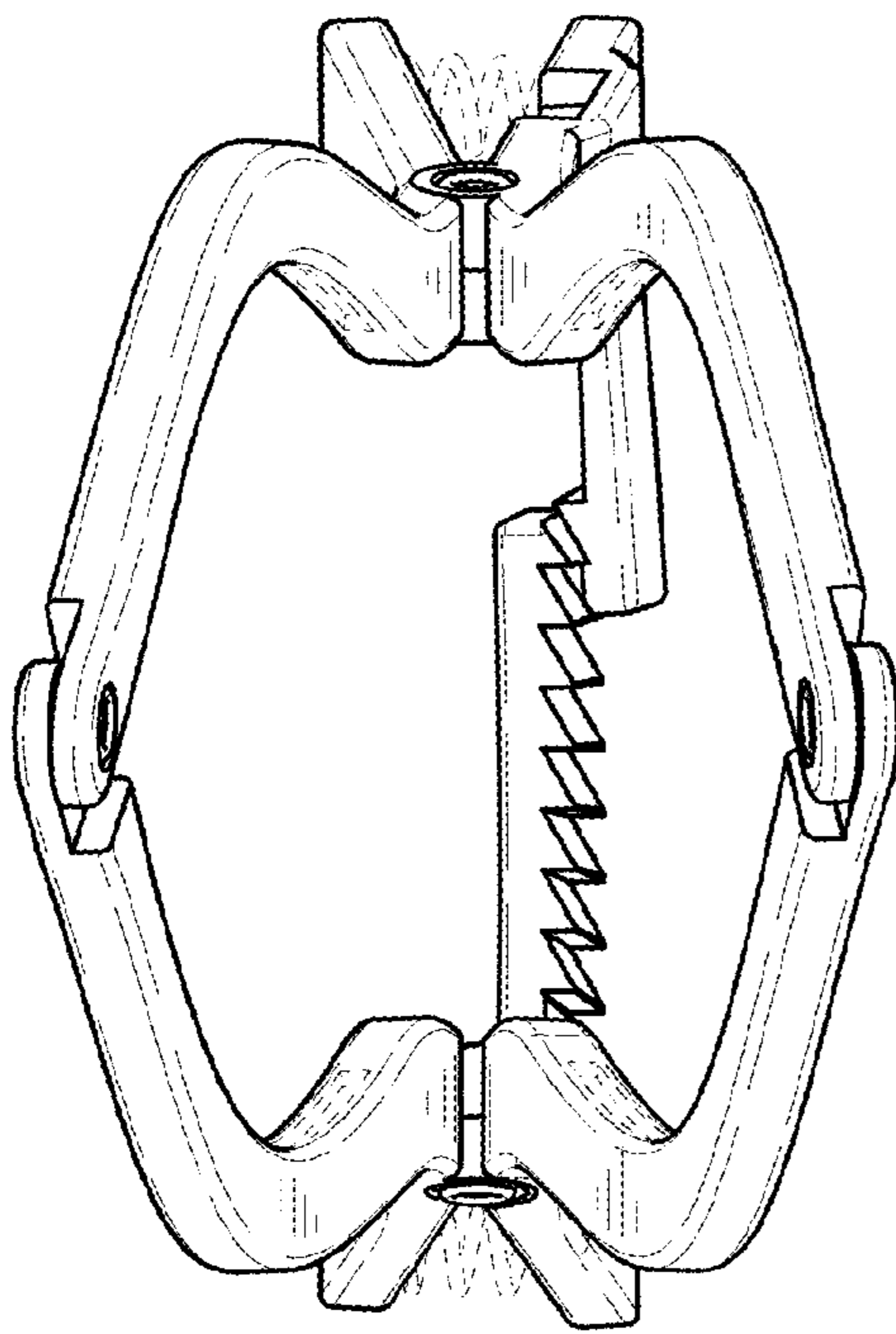


Fig. 7

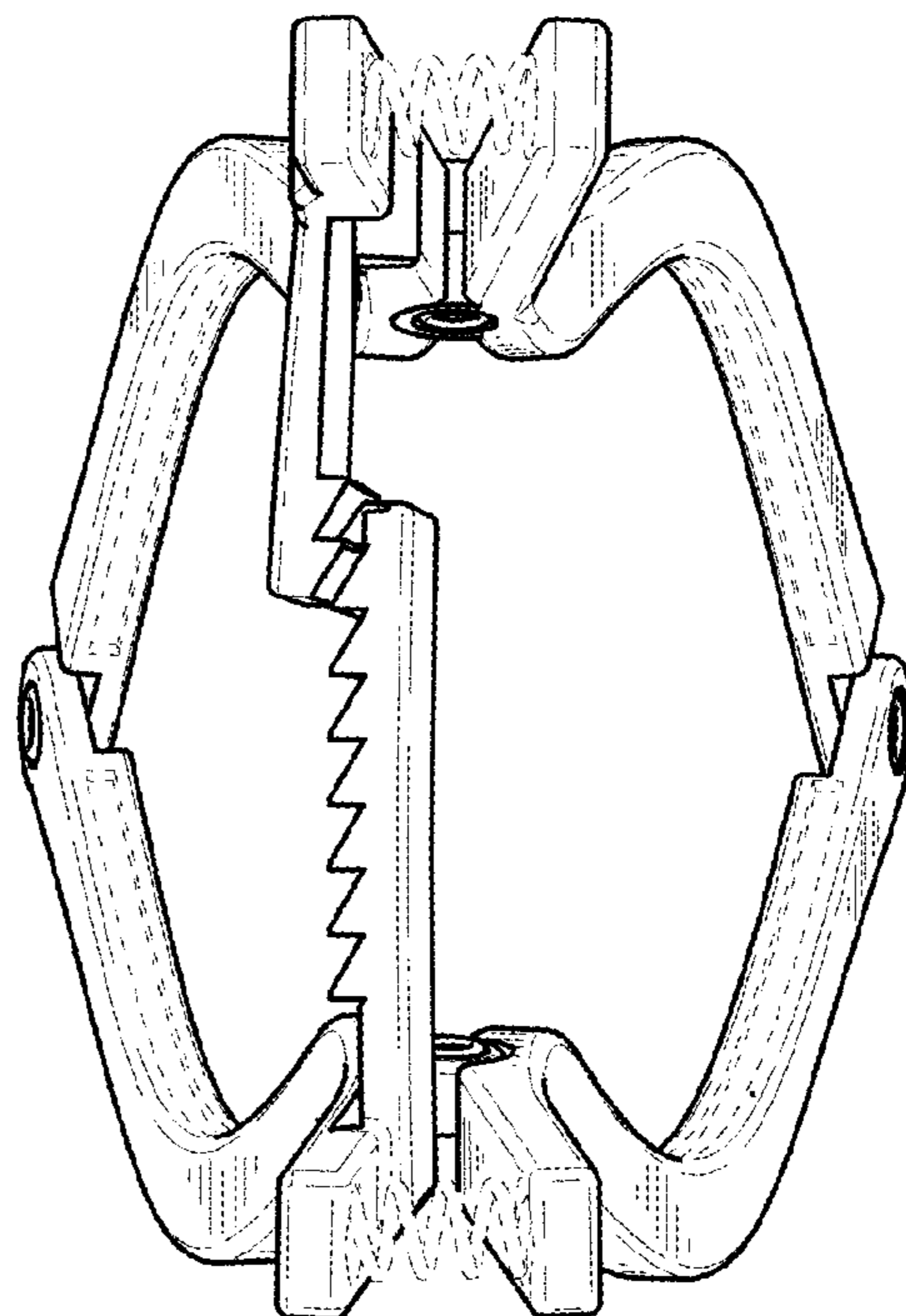


Fig. 8

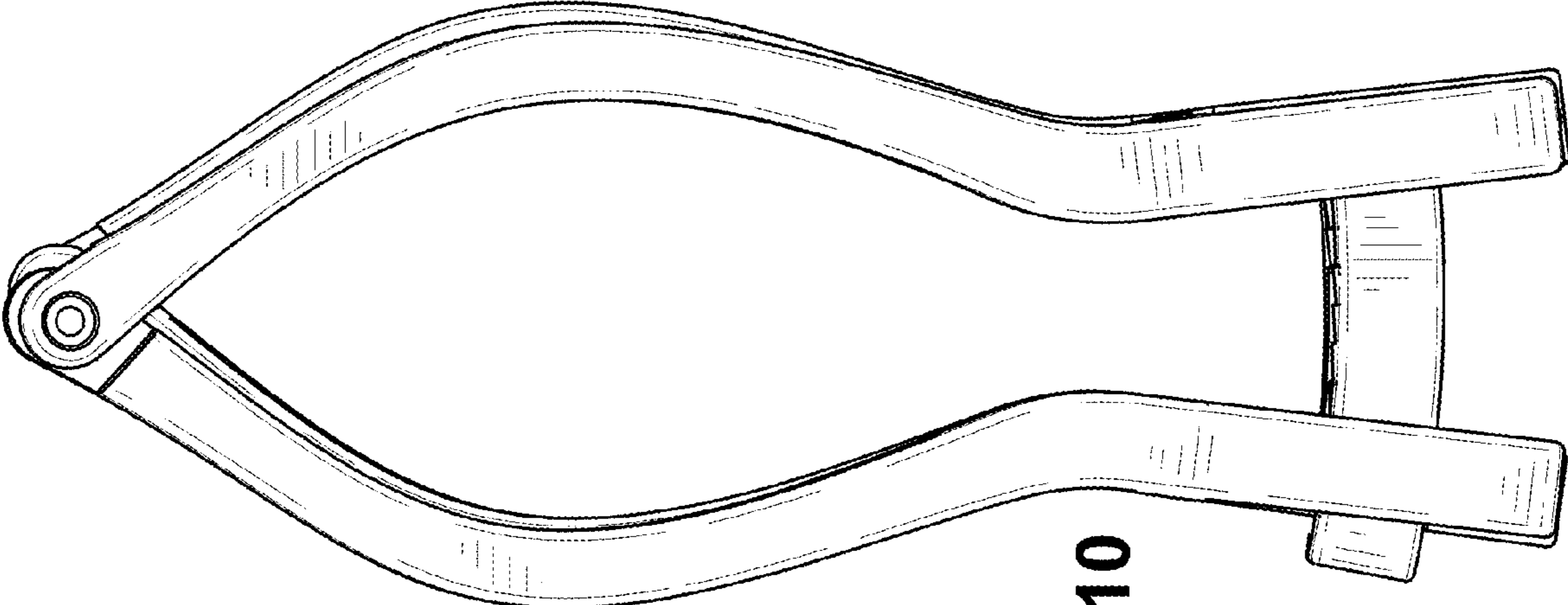


Fig. 10

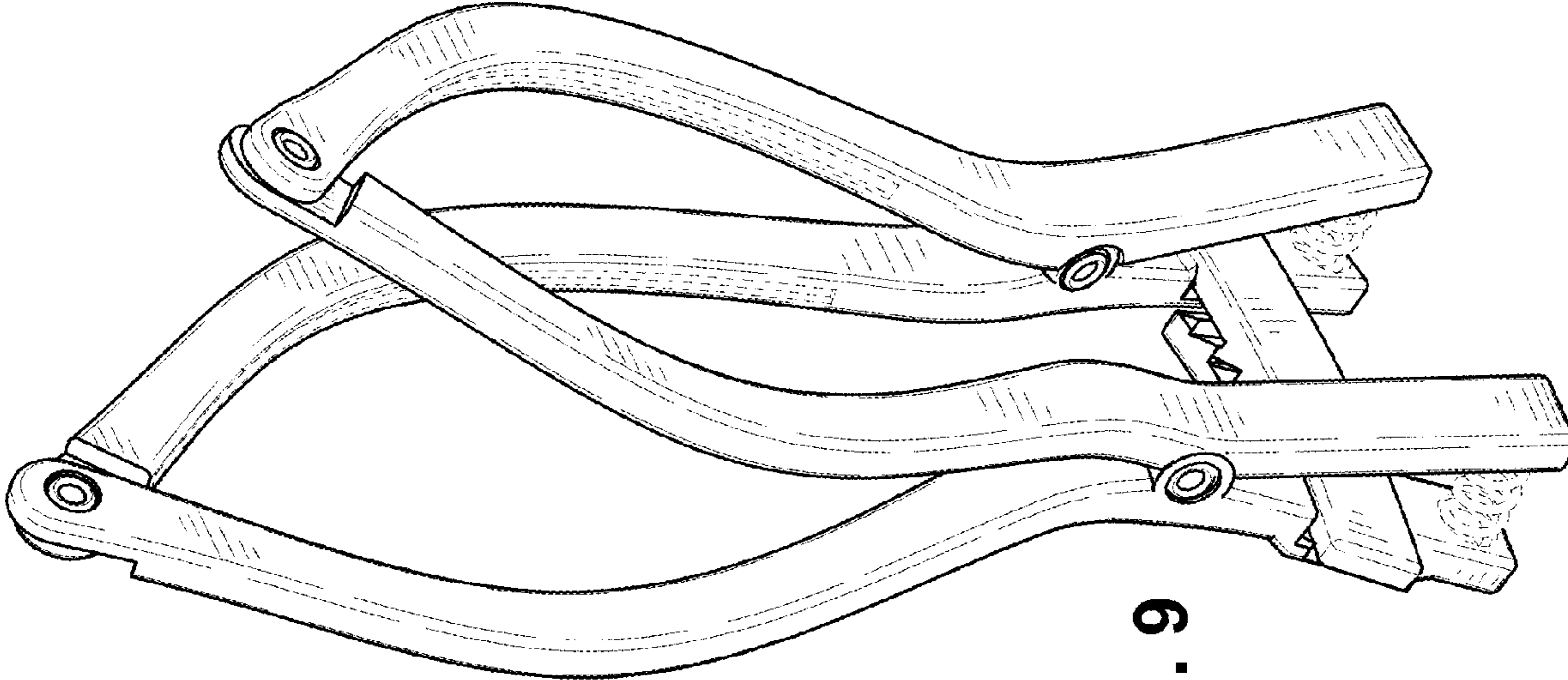


Fig. 9

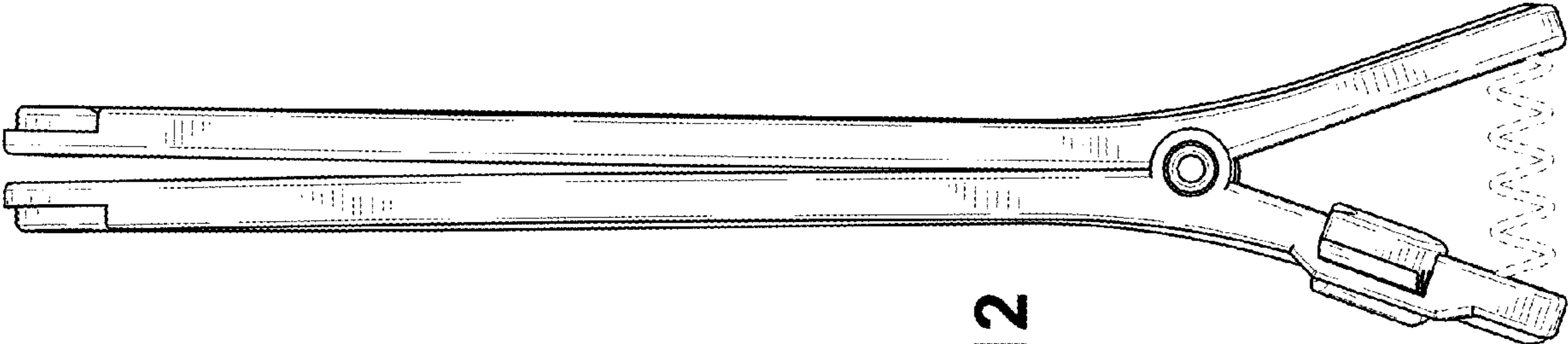


Fig. 12

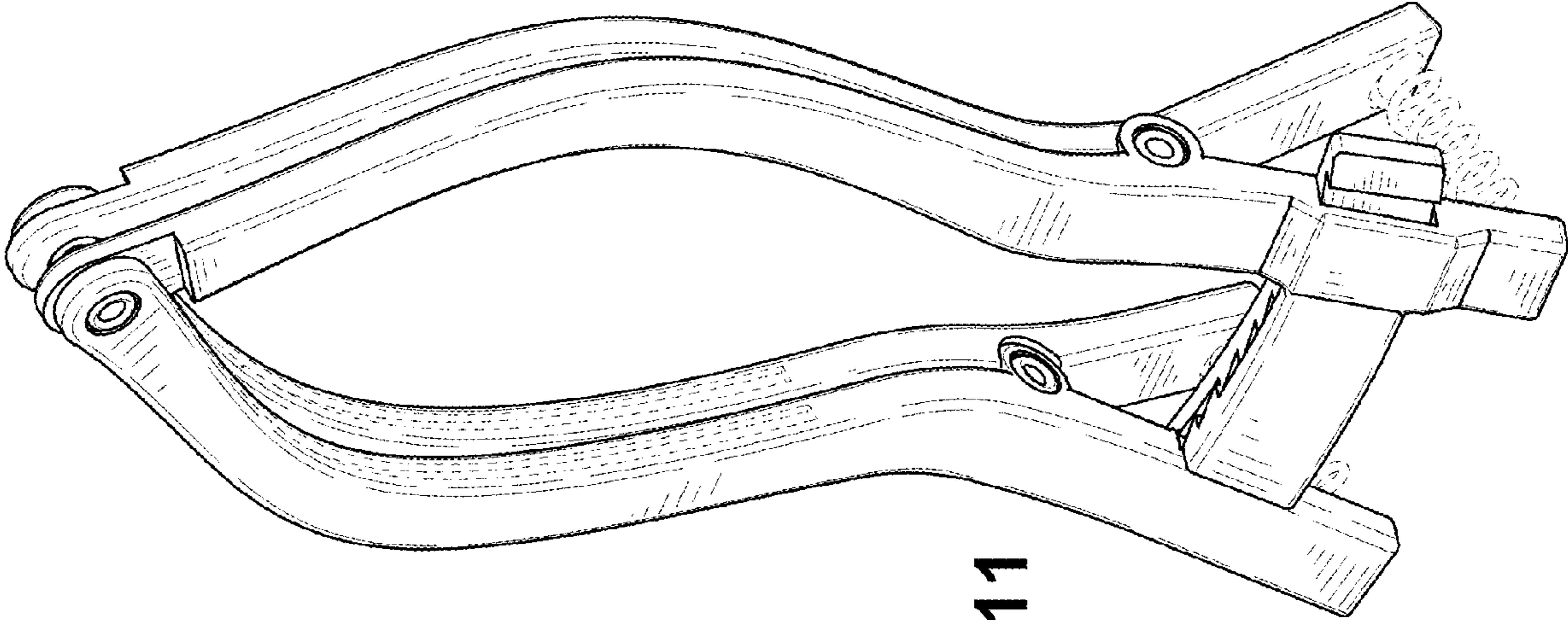


Fig. 11