



US00D900314S

(12) **United States Design Patent** (10) **Patent No.:** **US D900,314 S**  
**Ierulli** (45) **Date of Patent:** **\*\* Oct. 27, 2020**

(54) **NASAL DILATOR**  
(71) Applicant: **Joseph V. Ierulli**, Bradenton, FL (US)  
(72) Inventor: **Joseph V. Ierulli**, Bradenton, FL (US)  
(73) Assignee: **Corbett Lair, Inc.**, Sarasota, FL (US)  
(\*\*) Term: **15 Years**  
(21) Appl. No.: **29/696,154**  
(22) Filed: **Jun. 25, 2019**

**Related U.S. Application Data**

(60) Continuation of application No. 29/637,313, filed on Feb. 15, 2018, now Pat. No. Des. 859,654, which is a continuation of application No. 29/603,526, filed on May 10, 2017, now Pat. No. Des. 814,029, which is a continuation of application No. 29/562,930, filed on Apr. 29, 2016, now Pat. No. Des. 791,314, which is a continuation of application No. 29/542,489, filed on Oct. 14, 2015, now Pat. No. Des. 759,241, which is a continuation of application No. 29/494,562, filed on Jun. 22, 2014, now Pat. No. Des. 743,545, which is a continuation of application No. 29/475,207, filed on Dec. 1, 2013, now Pat. No. Des. 741,997, which is a continuation of application No. 29/433,556, filed on Oct. 1, 2012, now Pat. No. Des. 707,814, which is a continuation of application No. 29/420,787, filed on May 13, 2012, now Pat. No. Des. 671,643, which is a continuation of application No. 29/399,247, filed on  
(Continued)

(51) **LOC (12) Cl.** ..... **24-02**  
(52) **U.S. Cl.**  
USPC ..... **D24/135**  
(58) **Field of Classification Search**  
USPC ..... D24/133, 135, 136, 189  
CPC ..... A61F 5/08; A61B 17/0057; A61B 1/233;  
A61M 29/00; A61M 29/02  
See application file for complete search history.

(56) **References Cited**  
U.S. PATENT DOCUMENTS

5,476,091 A 12/1995 Johnson  
5,479,944 A 1/1996 Petruson  
(Continued)

FOREIGN PATENT DOCUMENTS

CA 153650 \* 9/2014  
CA 158609 \* 10/2015  
(Continued)

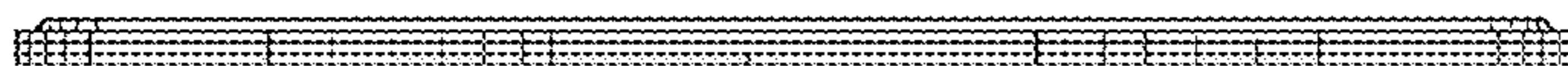
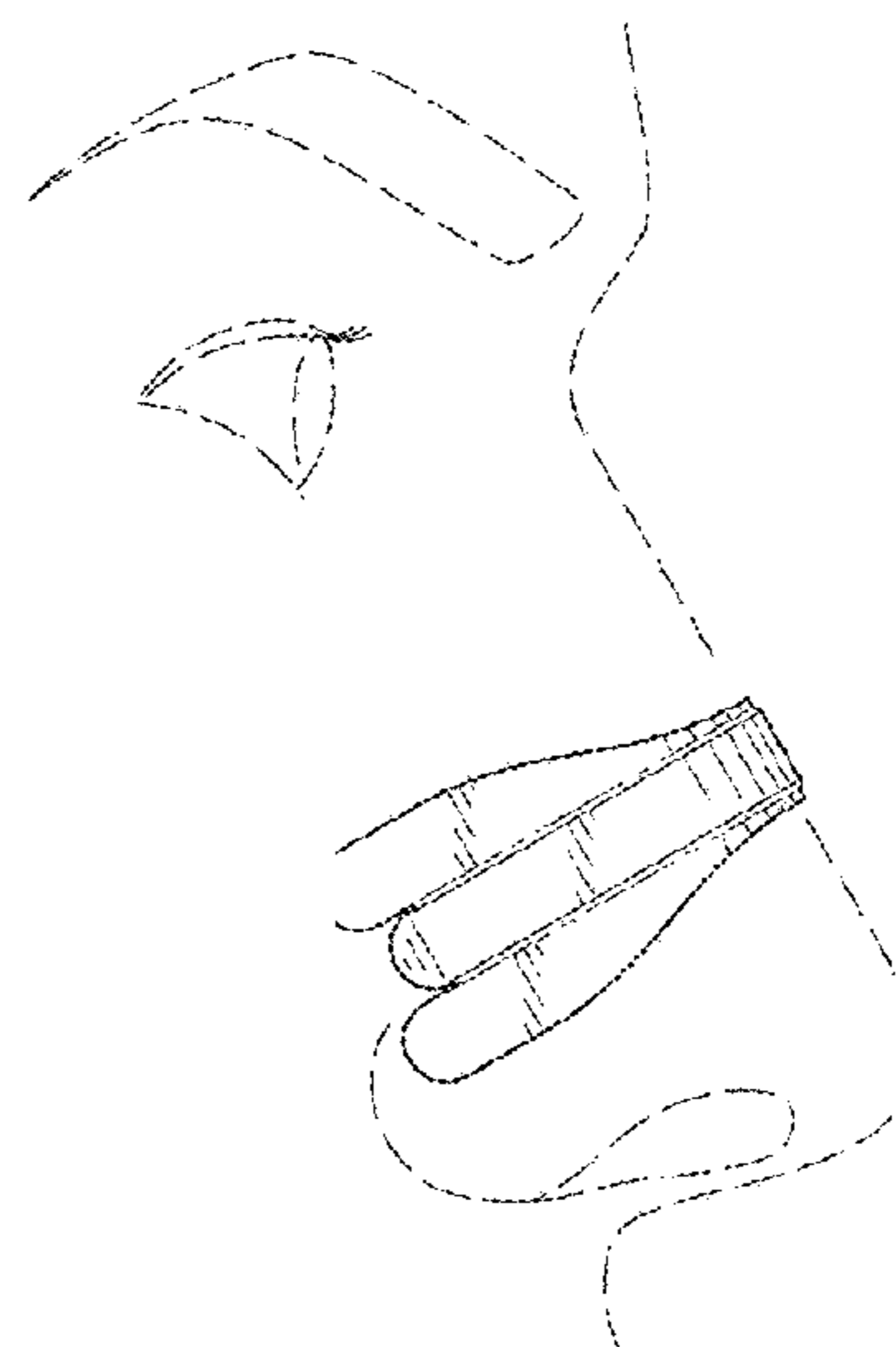
*Primary Examiner* — Susan Bennett Hattan  
*Assistant Examiner* — Lauren D McVey  
(74) *Attorney, Agent, or Firm* — Mersenne Law

(57) **CLAIM**  
The ornamental design for a nasal dilator, as shown and described.

**DESCRIPTION**

FIG. 1 is a perspective view of a first embodiment of a nasal dilator showing my new design in an in-use state; FIG. 2 is a top plan view of the nasal dilator of FIG. 1; FIG. 3 is a front view thereof, the rear view being a mirror image thereof; FIG. 4 is a right side view, the left side view being a mirror image thereof; FIG. 5 is a bottom plan view thereof; FIG. 6 is a perspective view of a second embodiment of a nasal dilator showing my new design in an in-use state; FIG. 7 is a top plan view of the nasal dilator of FIG. 6; FIG. 8 is a front view thereof, the rear view being a mirror image thereof; FIG. 9 is a right side view, the left side view being a mirror image thereof; and, FIG. 10 is a bottom plan view thereof. The broken line showing of human facial features is directed to environment and is for illustrative purposes only; the broken lines form no part of the claimed design.

**1 Claim, 2 Drawing Sheets**



**Related U.S. Application Data**

Aug. 11, 2011, now Pat. No. Des. 667,543, which is a division of application No. 29/380,763, filed on Dec. 10, 2010, now Pat. No. Des. 659,245, which is a continuation-in-part of application No. 12/106,289, filed on Apr. 19, 2008, now Pat. No. 8,062,329.

(56)

**References Cited**

U.S. PATENT DOCUMENTS

5,533,499	A	7/1996	Johnson	
5,533,503	A	7/1996	Doubek et al.	
5,546,929	A	8/1996	Muchin	
5,549,103	A	8/1996	Johnson	
RE35,408	E	12/1996	Petruson	
5,611,333	A	3/1997	Johnson	
5,653,224	A	8/1997	Johnson	
5,706,800	A	1/1998	Cronk et al.	
5,718,224	A	2/1998	Muchin	
5,769,089	A	6/1998	Hand et al.	
5,890,486	A	4/1999	Mitra et al.	
5,931,854	A	8/1999	Dillon	
5,957,126	A	9/1999	Neeser	
6,006,746	A	12/1999	Karell	
6,029,658	A	2/2000	De Voss	
6,058,931	A	5/2000	Muchin	
6,065,470	A	5/2000	Van Cromvoirt et al.	
6,098,616	A	8/2000	Lundy et al.	
6,196,228	B1	3/2001	Kreitzer et al.	
6,244,265	B1	6/2001	Cronk et al.	
6,276,360	B1	8/2001	Cronk et al.	
6,318,362	B1	11/2001	Johnson	
6,357,436	B1	3/2002	Kreitzer et al.	
6,375,667	B1	4/2002	Ruch	
6,453,901	B1	9/2002	Ierulli	
6,470,883	B1	10/2002	Beaudry	
6,550,474	B1	4/2003	Anderson et al.	
6,694,970	B2	2/2004	Spinelli et al.	
6,769,428	B2	8/2004	Cronk et al.	
6,769,429	B1	8/2004	Benetti	
7,067,710	B1	6/2006	Beaudry	
7,114,495	B2	10/2006	Lockwood, Jr.	
7,456,332	B2*	11/2008	Beaudry ..... A61F 13/126 602/54	
D639,762	S	6/2011	Brogden et al.	
D644,325	S	8/2011	Brunner et al.	
D644,324	S	10/2011	Brunner et al.	
8,047,201	B2	11/2011	Guyuron et al.	
8,062,329	B2	11/2011	Ierulli	
D651,710	S	1/2012	Brogden et al.	
8,115,049	B2	2/2012	Beaudry	
D659,245	S	5/2012	Ierulli	
8,188,330	B2	5/2012	Beaudry	
D662,203	S	6/2012	Smith	
D667,543	S	9/2012	Ierulli	
D671,643	S	11/2012	Ierulli	
D672,461	S	12/2012	Brogden et al.	
D672,872	S	12/2012	Brunner et al.	
D673,270	S	12/2012	Brunner et al.	
8,342,173	B2	1/2013	Lockwood, Jr.	
8,444,670	B2	5/2013	Ierulli	
8,584,671	B2	11/2013	Ierulli	
8,616,198	B2	12/2013	Guyuron et al.	
8,617,199	B2	12/2013	Eull et al.	
8,641,852	B2	2/2014	Ierulli	
D707,814	S	6/2014	Ierulli	
D707,815	S	6/2014	Ierulli	
8,834,511	B2	9/2014	Holmes et al.	
8,834,512	B1	9/2014	Brown et al.	
8,834,514	B2	9/2014	Smith	
8,858,587	B2	10/2014	Ierulli	
D722,161	S	2/2015	Reyers	
D722,162	S	2/2015	Reyers	
D725,772	S	3/2015	Ierulli	
D725,773	S	3/2015	Ierulli	
9,095,422	B2	8/2015	Gray	

D738,496	S	9/2015	Peck	
D739,015	S	9/2015	Martin	
9,119,620	B2	9/2015	Peterson et al.	
D741,997	S	10/2015	Ierulli	
D741,998	S	10/2015	Martin	
D743,544	S	11/2015	Ierulli	
D743,545	S	11/2015	Ierulli	
D743,565	S	11/2015	Engel et al.	
D745,147	S	12/2015	Ierulli	
9,204,988	B1	12/2015	Fischell	
D746,982	S	1/2016	Ierulli	
D747,478	S	1/2016	Brunner et al.	
D753,294	S	4/2016	Guyuron et al.	
D755,376	S	5/2016	Ierulli	
D758,575	S	6/2016	Ierulli	
D758,576	S	6/2016	Ierulli et al.	
D759,240	S	6/2016	Ierulli	
D759,241	S	6/2016	Ierulli	
D759,242	S	6/2016	Ierulli	
9,364,367	B2	6/2016	Ierulli	
9,364,368	B2	6/2016	Ierulli	
9,381,332	B2	7/2016	Judd	
D764,055	S	8/2016	Ierulli et al.	
D764,662	S	8/2016	Ierulli et al.	
9,414,957	B1	8/2016	Fischell	
9,427,945	B2	8/2016	Gray et al.	
D779,666	S	2/2017	Ierulli et al.	
D779,667	S	2/2017	Ierulli et al.	
9,566,183	B1	2/2017	Fischell	
D788,298	S	5/2017	Guyuron	
9,642,995	B2	5/2017	Fenton et al.	
D789,531	S	6/2017	Ierulli	
D790,058	S	6/2017	Ierulli et al.	
D790,695	S	6/2017	Ierulli	
D791,312	S	7/2017	Peck	
D791,314	S	7/2017	Ierulli	
9,730,827	B2	8/2017	Ierulli	
9,730,828	B2	8/2017	Ierulli	
9,775,738	B2	10/2017	Andre	
9,844,456	B2	12/2017	Ierulli	
9,901,479	B2	2/2018	Holmes	
9,901,480	B2	2/2018	Ierulli	
9,901,481	B2	2/2018	Ierulli	
D812,749	S	3/2018	Ierulli	
D813,387	S	3/2018	Ierulli et al.	
D814,029	S	3/2018	Ierulli	
10,010,442	B2	7/2018	Ierulli	
10,149,781	B2	12/2018	Ierulli	
10,328,625	B2	6/2019	Gray et al.	
2008/0058858	A1	3/2008	Smith	
2008/0097517	A1	4/2008	Holmes et al.	
2009/0125052	A1	5/2009	Pinna et al.	
2009/0234383	A1	9/2009	Ierulli	
2010/0210988	A1	8/2010	Dallison	
2010/0298861	A1	11/2010	Fenton	
2011/0000483	A1	1/2011	Matthias et al.	
2011/0054517	A1	3/2011	Holmes et al.	
2011/0166594	A1	7/2011	Eull	
2011/0224717	A1	9/2011	Lockwood	
2012/0004683	A1	1/2012	Gray	
2012/0022582	A1	1/2012	Guyuron	
2012/0067345	A1	3/2012	Shilon	
2012/0172923	A1	7/2012	Fenton	
2012/0209313	A1	8/2012	Ierulli	
2012/0232455	A1	9/2012	Beaudry	
2013/0104882	A1	5/2013	Ierulli	
2013/0118488	A1	5/2013	Ledogar	
2014/0194922	A1	7/2014	Ierulli	
2014/0148844	A1	10/2014	Andre	
2014/0296904	A1	10/2014	Andre	
2014/0350596	A1	11/2014	Smith	
2015/0005812	A1	1/2015	Holmes	
2015/0012035	A1	1/2015	Ierulli	
2015/0051636	A1	2/2015	Lockwood	
2015/0090398	A1	4/2015	Ierulli	
2015/0090399	A1	4/2015	Ierulli	
2015/0094757	A1	4/2015	Ierulli	
2015/0094758	A1	4/2015	Ierulli	
2015/0216709	A1	8/2015	Peck	

(56)

**References Cited**

U.S. PATENT DOCUMENTS

2015/0230966	A1	8/2015	Ierulli
2015/0250637	A1	9/2015	Ierulli
2015/0290021	A1	10/2015	Gray
2015/0359654	A1	12/2015	Bentivegna et al.
2016/0008161	A1	1/2016	Ierulli et al.
2016/0278967	A1	9/2016	Ierulli
2016/0278968	A1	9/2016	Ierulli
2016/0339619	A1	11/2016	Gray et al.
2017/0112653	A9	4/2017	Ierulli
2017/0143531	A9	5/2017	Ierulli
2017/0151084	A9	6/2017	Ierulli
2018/0021163	A9	1/2018	Ierulli
2018/0028346	A1	2/2018	Ierulli
2018/0071131	A1	3/2018	Ierulli
2019/0167464	A1	6/2019	Lovato

FOREIGN PATENT DOCUMENTS

EP	855175	A1	7/1998
ES	289561		10/1985

\* cited by examiner

FIG. 1

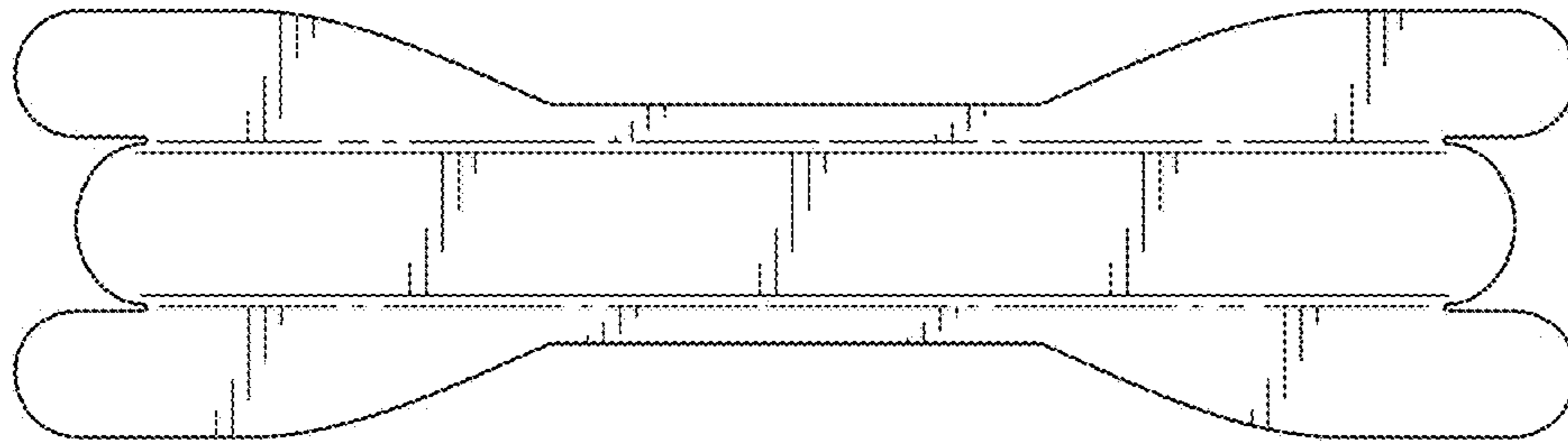
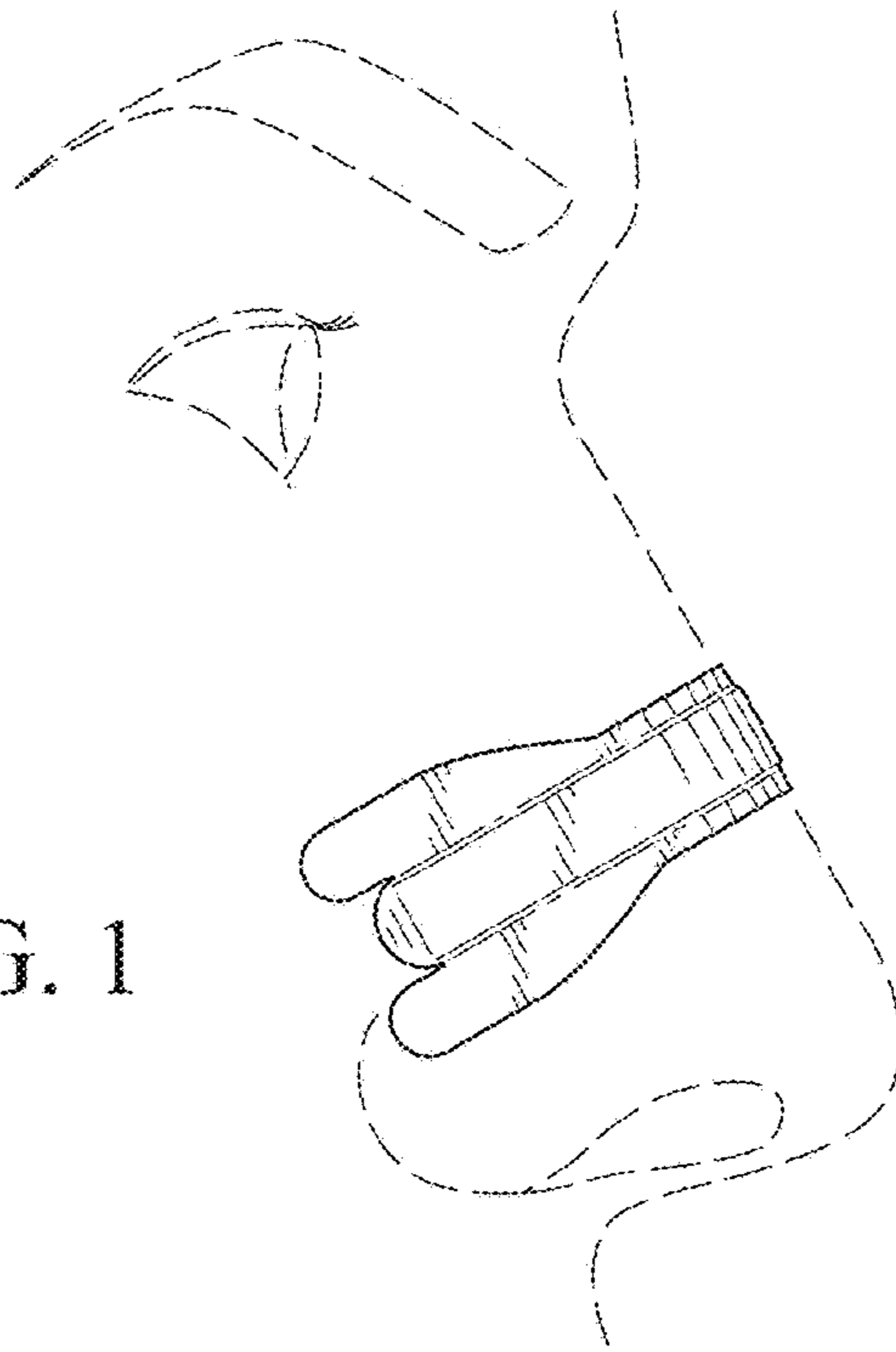


FIG. 2

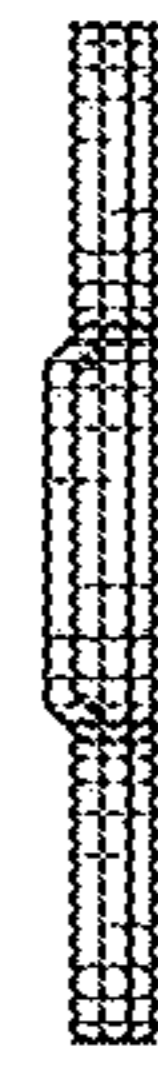


FIG. 4

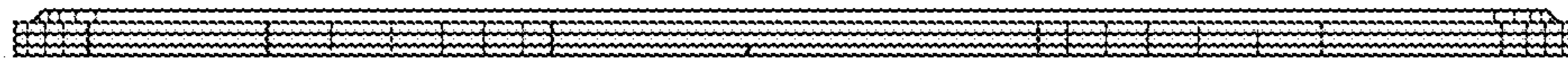


FIG. 3

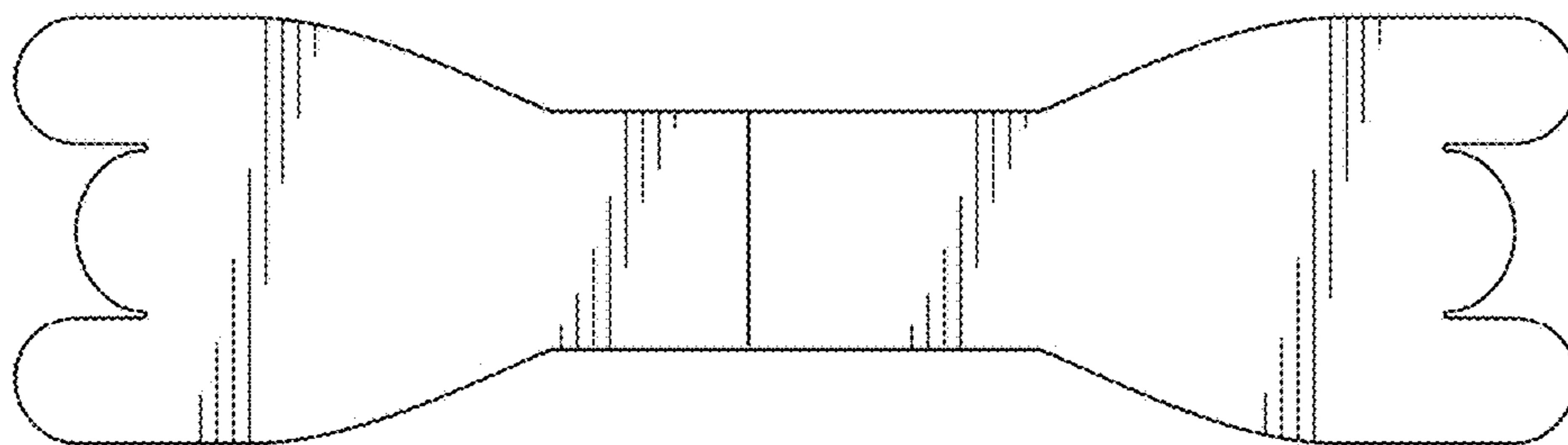


FIG. 5

FIG. 6

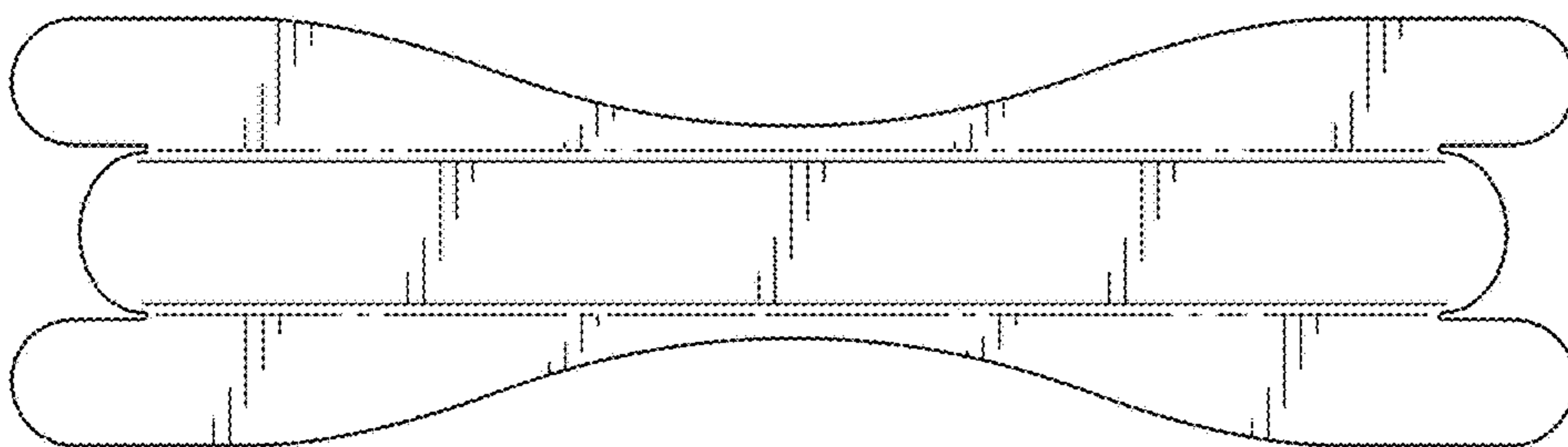
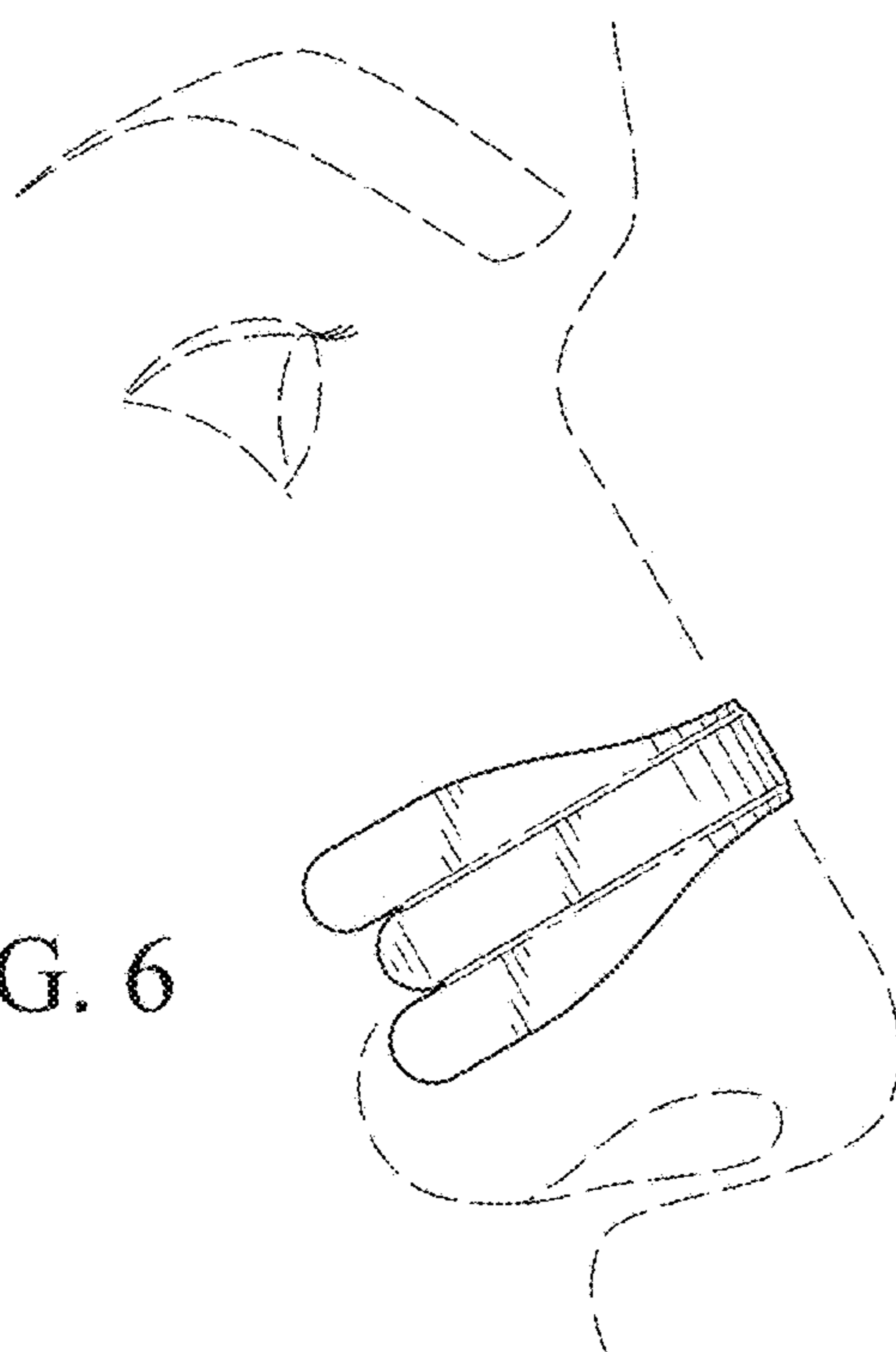


FIG. 7



FIG. 9

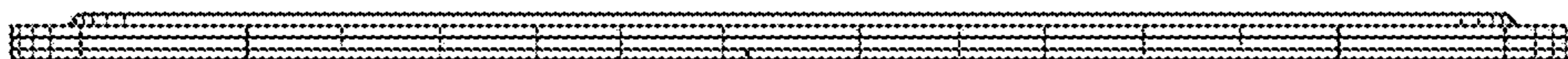


FIG. 8

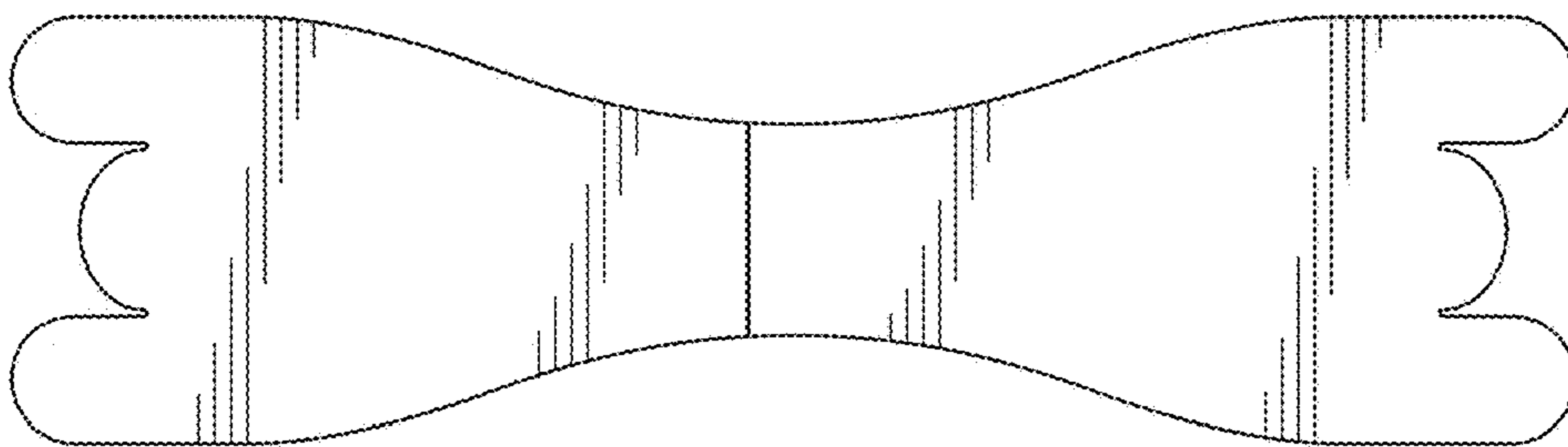


FIG. 10