



US00D900313S

(12) **United States Design Patent** (10) **Patent No.:** **US D900,313 S**  
**Chen et al.** (45) **Date of Patent:** **\*\* Oct. 27, 2020**

(54) **BIOPHARMACEUTICAL REFRIGERATED CUP**

(71) Applicants: **Shuping Chen**, Hubei (CN); **Daohua Gong**, Hubei (CN)

(72) Inventors: **Shuping Chen**, Hubei (CN); **Daohua Gong**, Hubei (CN)

(\*\*) Term: **15 Years**

(21) Appl. No.: **29/656,818**

(22) Filed: **Jul. 17, 2018**

(51) **LOC (12) Cl.** ..... **24-04**

(52) **U.S. Cl.**  
USPC ..... **D24/121**

(58) **Field of Classification Search**

USPC ..... D24/121, 108, 122, 127, 128, 216, 224;  
604/317, 322; D7/300, 305, 318, 368,  
D7/397, 401.1, 500, 533, 543, 546, 549,  
D7/589, 601, 602, 619.1, 622, 637;  
D9/416, 434, 438, 443, 547, 549;  
D10/46.2; 220/752, 754, 755, 757, 759,  
220/768, 774

CPC ..... F25D 2331/808; F25D 3/08  
See application file for complete search history.

(56) **References Cited**

U.S. PATENT DOCUMENTS

D248,373 S \* 7/1978 Allen ..... D7/511  
D254,241 S \* 2/1980 Morin ..... D7/612  
D383,980 S \* 9/1997 Abfier ..... D9/502  
D446,116 S \* 8/2001 Nytko ..... D9/428  
D448,290 S \* 9/2001 Schultz ..... D9/416  
D466,809 S \* 12/2002 Sagel ..... D9/428  
D499,552 S \* 12/2004 Nissanoff ..... D3/273  
D577,595 S \* 9/2008 Lee ..... D9/549  
D578,894 S \* 10/2008 Seum ..... D9/504  
D615,406 S \* 5/2010 Leventhal ..... D9/443  
D649,403 S \* 11/2011 Eyal ..... D7/510

D651,044 S \* 12/2011 Gilbert ..... D7/510  
D652,682 S \* 1/2012 Eyal ..... D7/510  
D695,138 S \* 12/2013 Ball ..... D9/435  
D699,357 S \* 2/2014 Nakagawa ..... D24/169  
D722,703 S \* 2/2015 Fuller ..... D24/216  
D736,932 S \* 8/2015 Nakagawa ..... D24/169  
9,561,895 B1 \* 2/2017 Kammer ..... F25C 5/06  
D782,036 S \* 3/2017 Cai ..... D24/121  
D798,668 S \* 10/2017 Steel ..... D7/531  
D819,402 S \* 6/2018 Silsby ..... D7/510

(Continued)

Primary Examiner — Nathan M Johnston

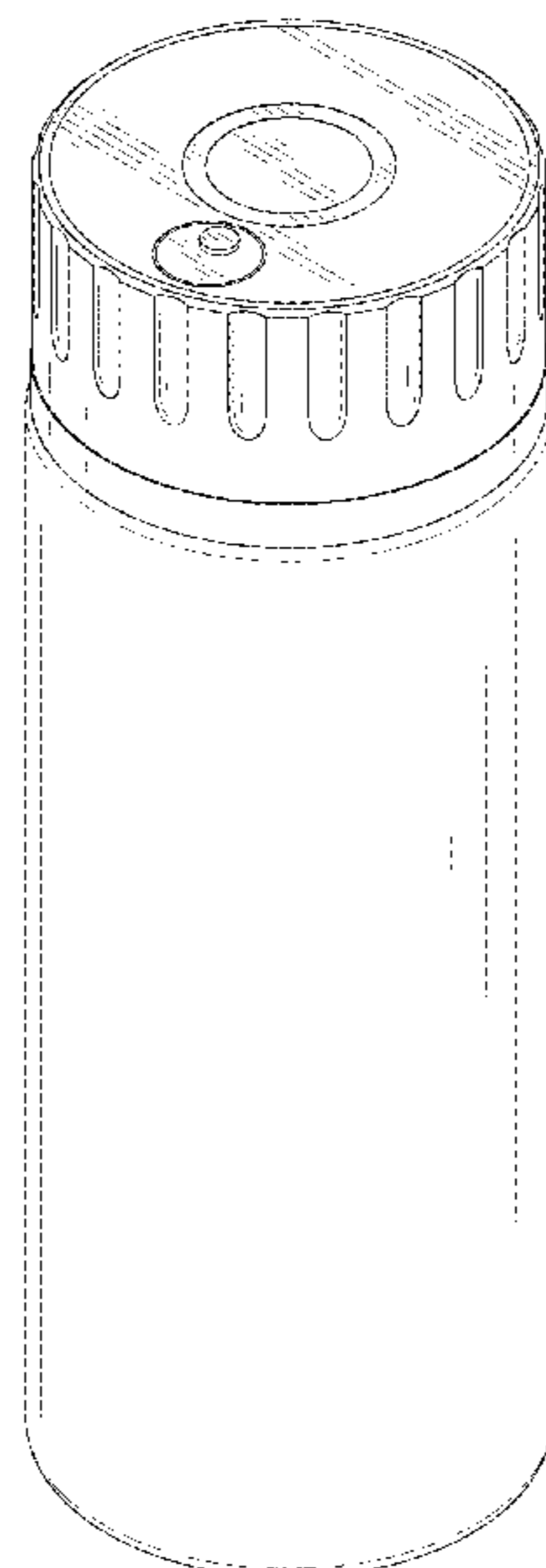
(57) **CLAIM**

The ornamental design for a biopharmaceutical refrigerated cup, as shown and described.

**DESCRIPTION**

FIG. 1 is a top and front perspective view of a biopharmaceutical refrigerated cup showing our new design; FIG. 2 is a bottom perspective view thereof; FIG. 3 is a front elevational view thereof; FIG. 4 is a rear elevational view thereof; FIG. 5 is a left side view thereof; FIG. 6 is a right side view thereof; FIG. 7 is a top plan view thereof; FIG. 8 is a bottom plan view thereof; FIG. 9 is a first disassembled perspective view thereof, showing a disassembled inner chamber shown separately for ease of illustration; FIG. 10 is a second disassembled perspective view thereof, showing the assembled inner chamber shown separately for ease of illustration; and, FIG. 11 is an enlarged view of portion 11 in FIG. 9 shown separately for ease of illustration. The broken lines in the drawings illustrate portions of the biopharmaceutical refrigerated cup which form no part of the claimed design.

**1 Claim, 11 Drawing Sheets**



(56)

**References Cited**

U.S. PATENT DOCUMENTS

D836,982 S *	1/2019	Diener .....	D7/509
D838,141 S *	1/2019	Bertsch .....	D7/510
D864,774 S *	10/2019	Lei .....	D10/81
D867,069 S *	11/2019	Wang .....	D7/515
D871,852 S *	1/2020	Haas .....	D7/531

\* cited by examiner

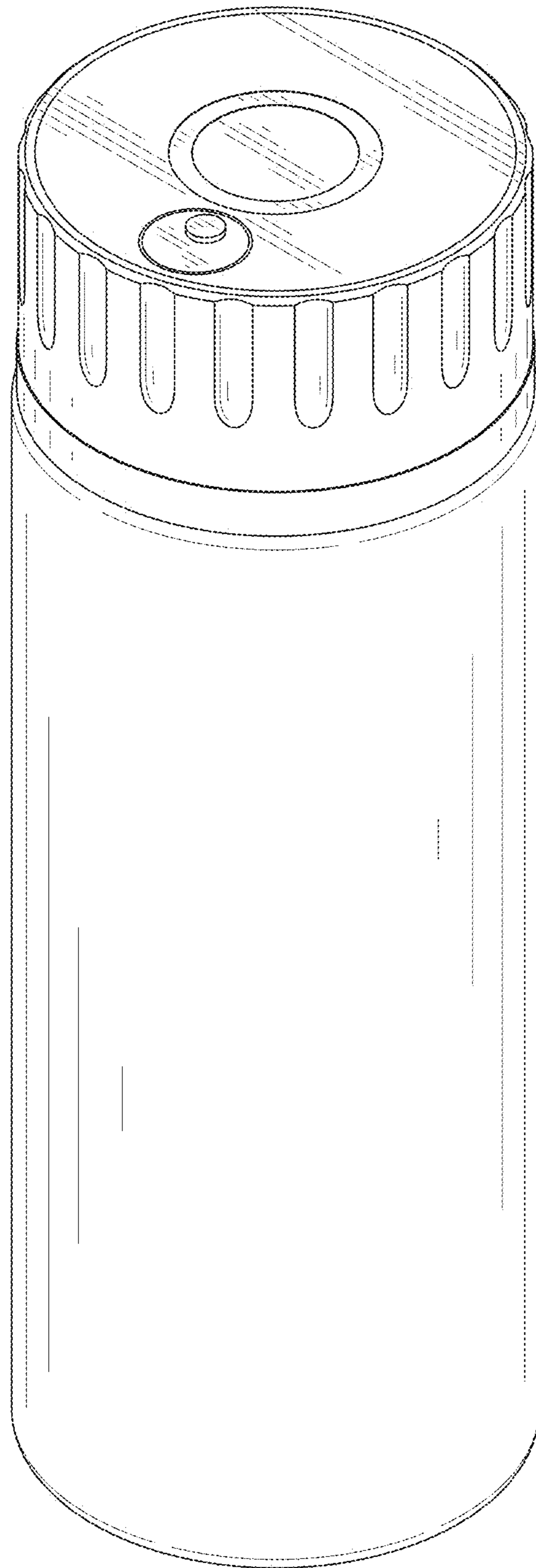


FIG. 1

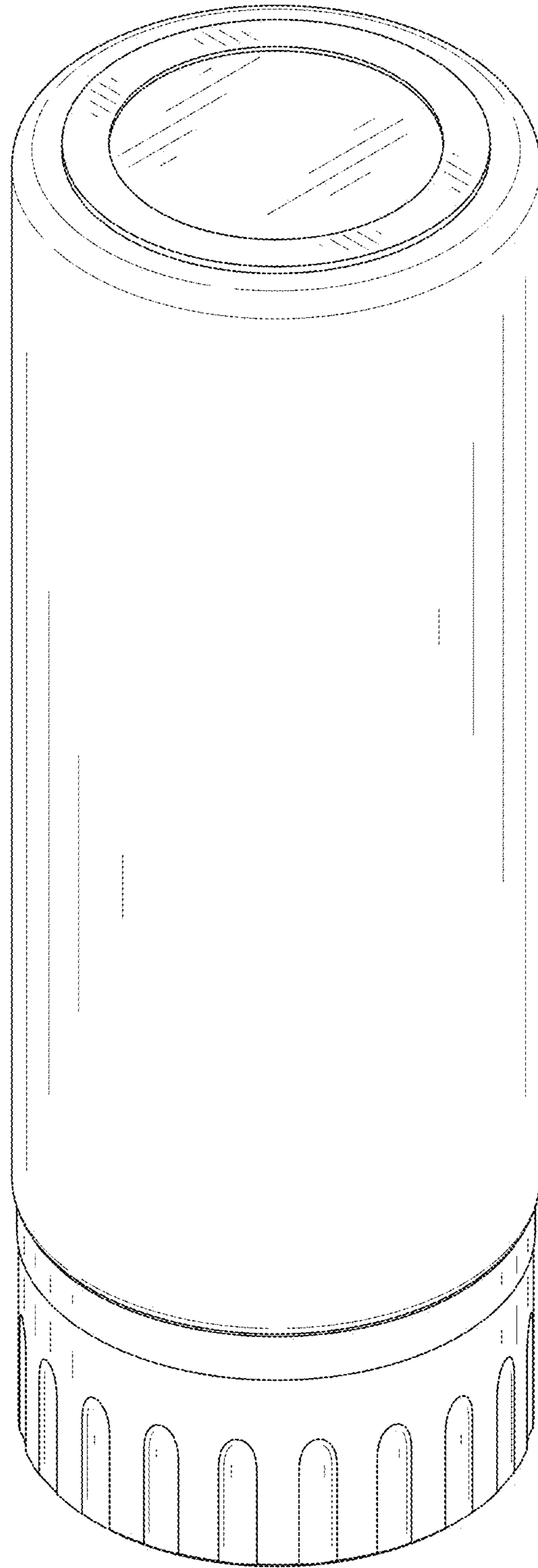


FIG. 2

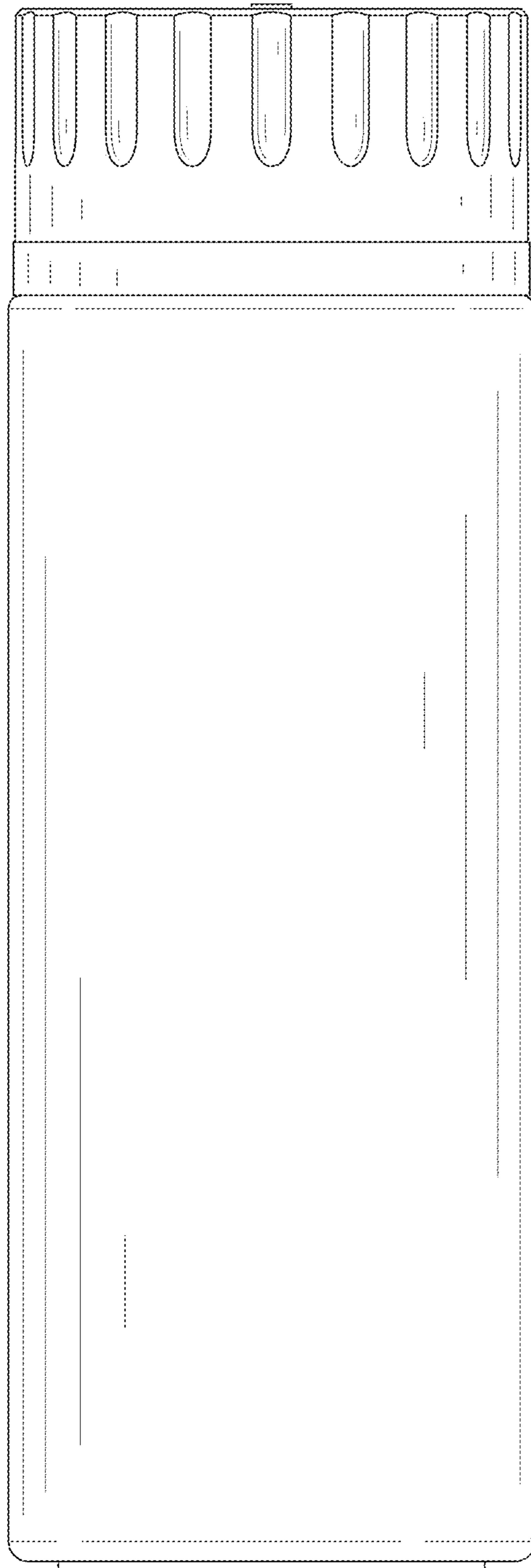


FIG. 3

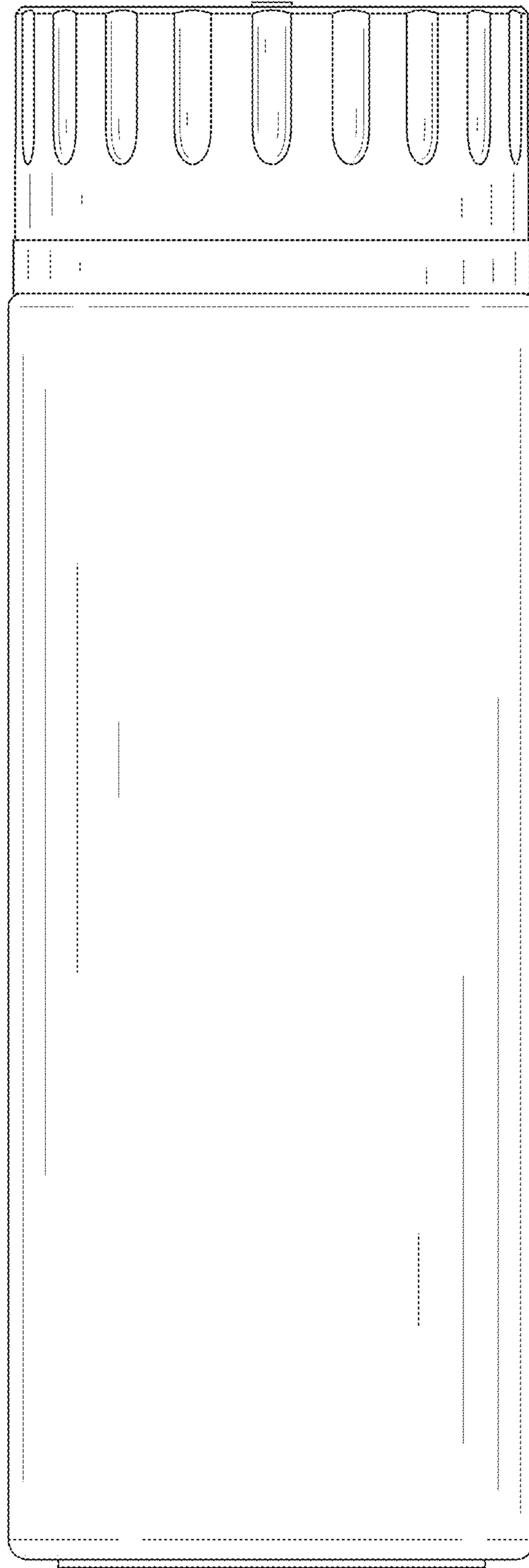


FIG. 4

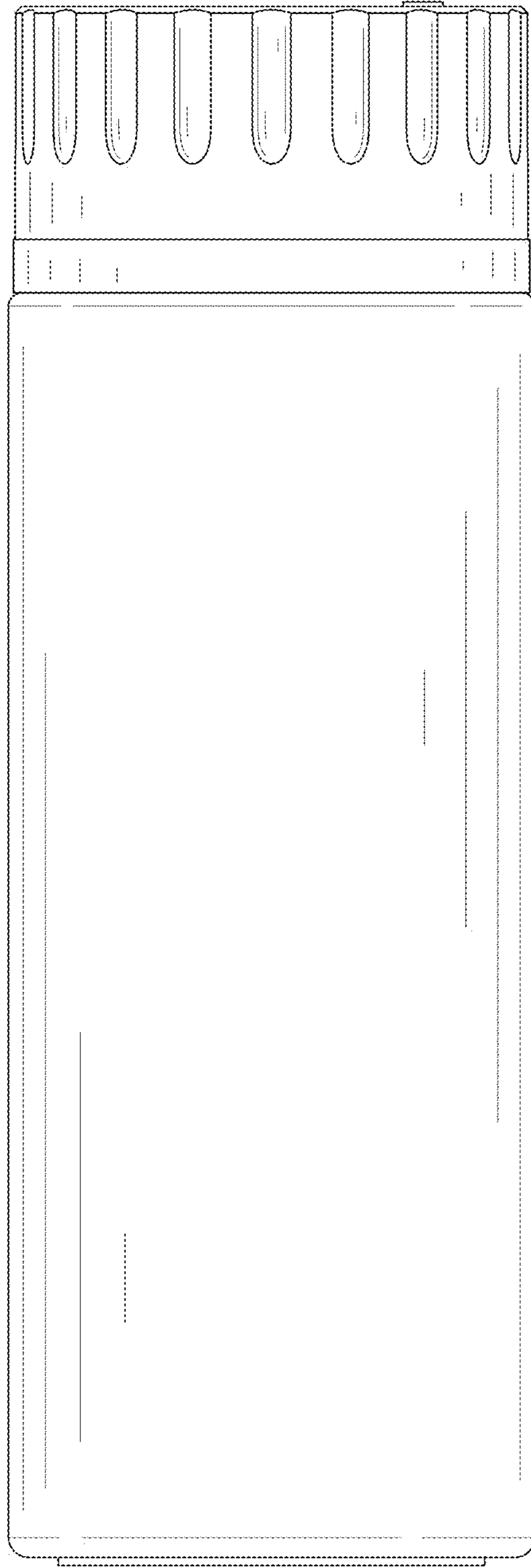


FIG. 5

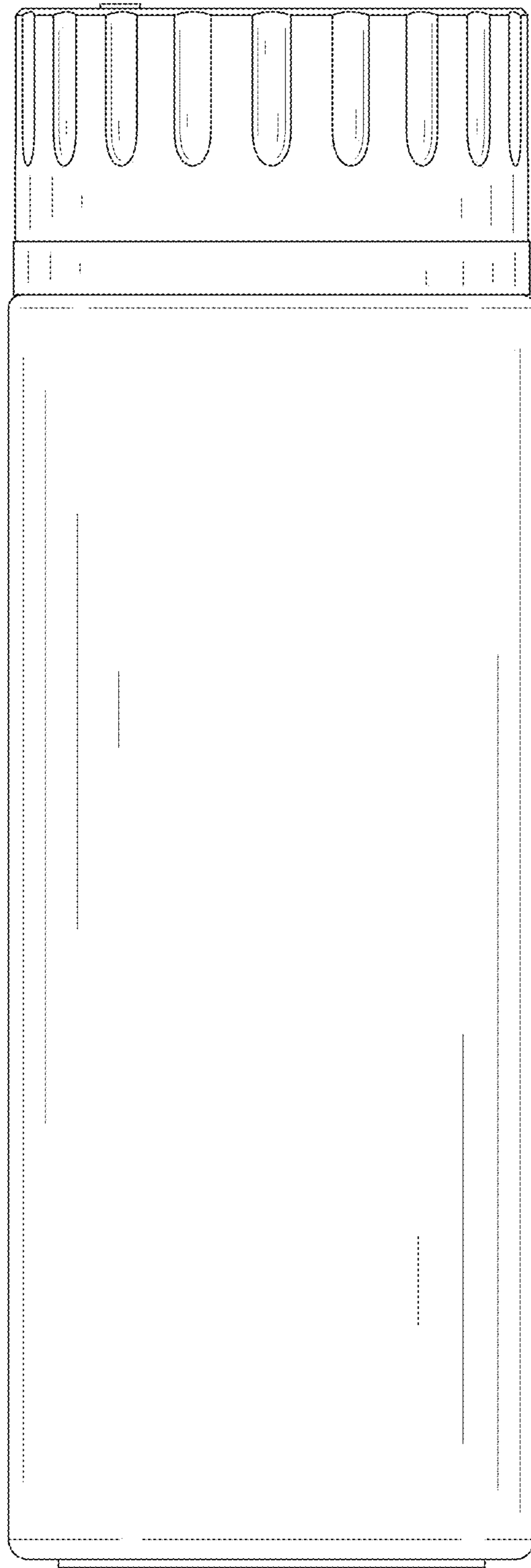


FIG. 6



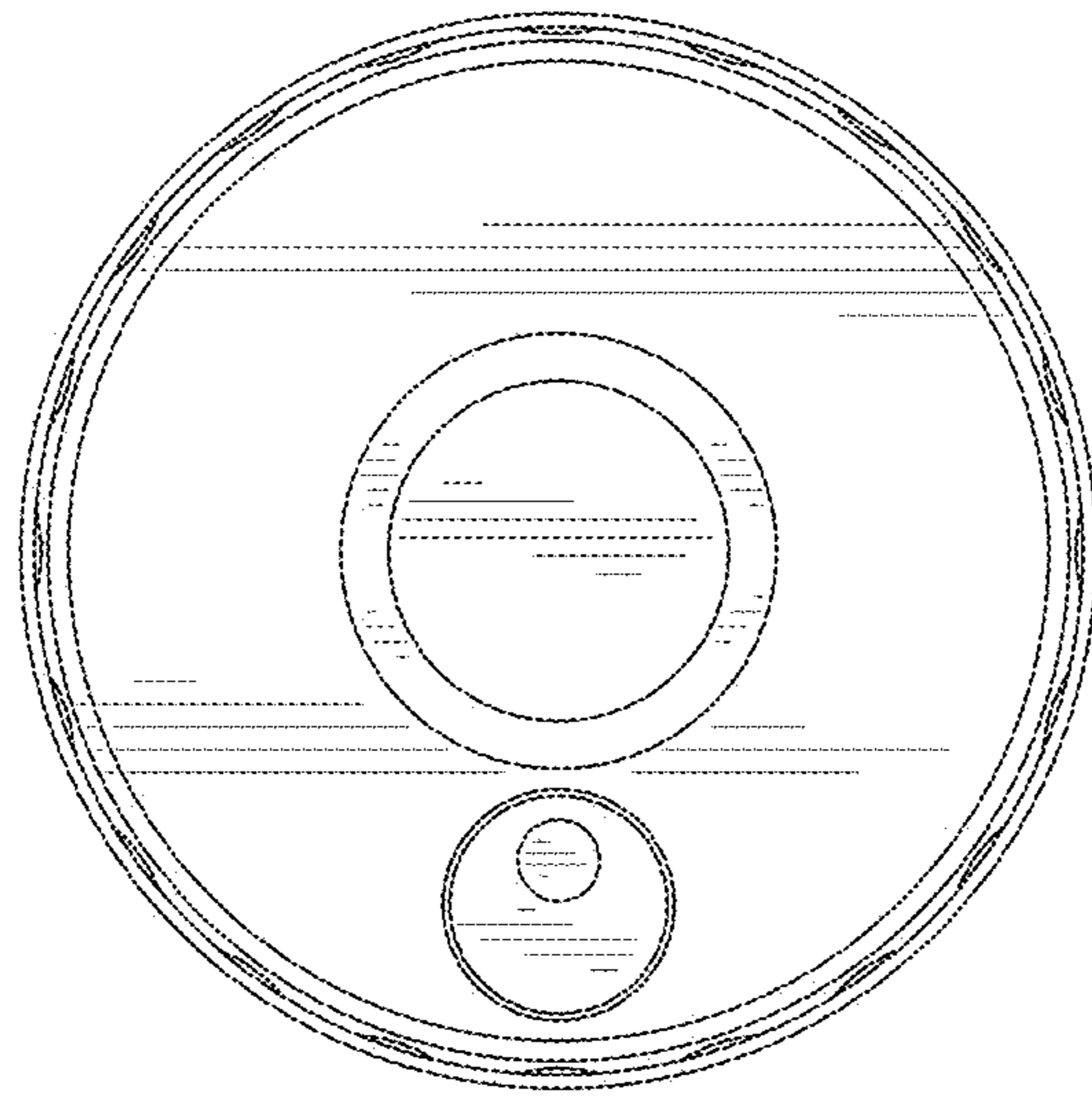


FIG. 7

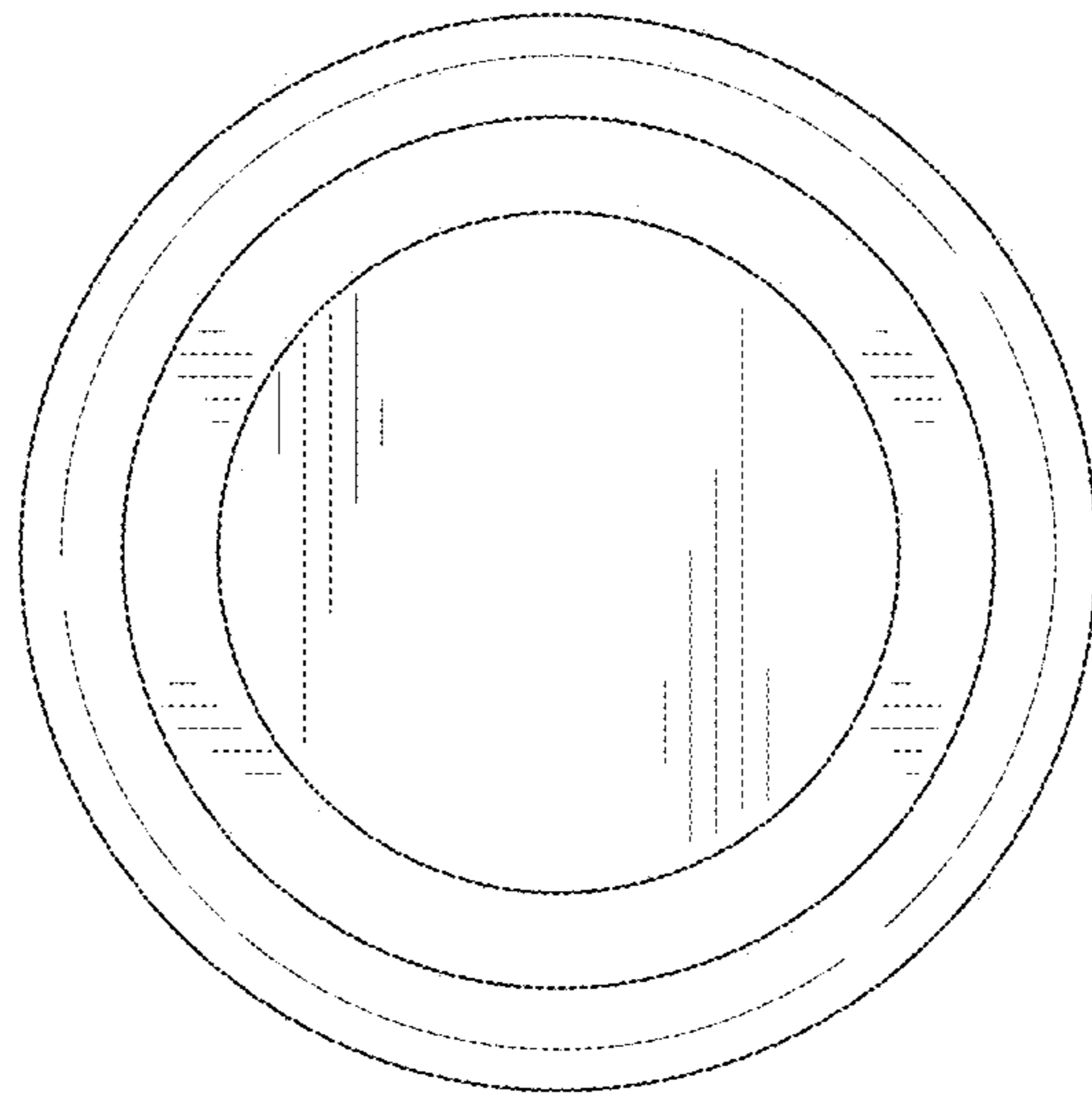


FIG. 8

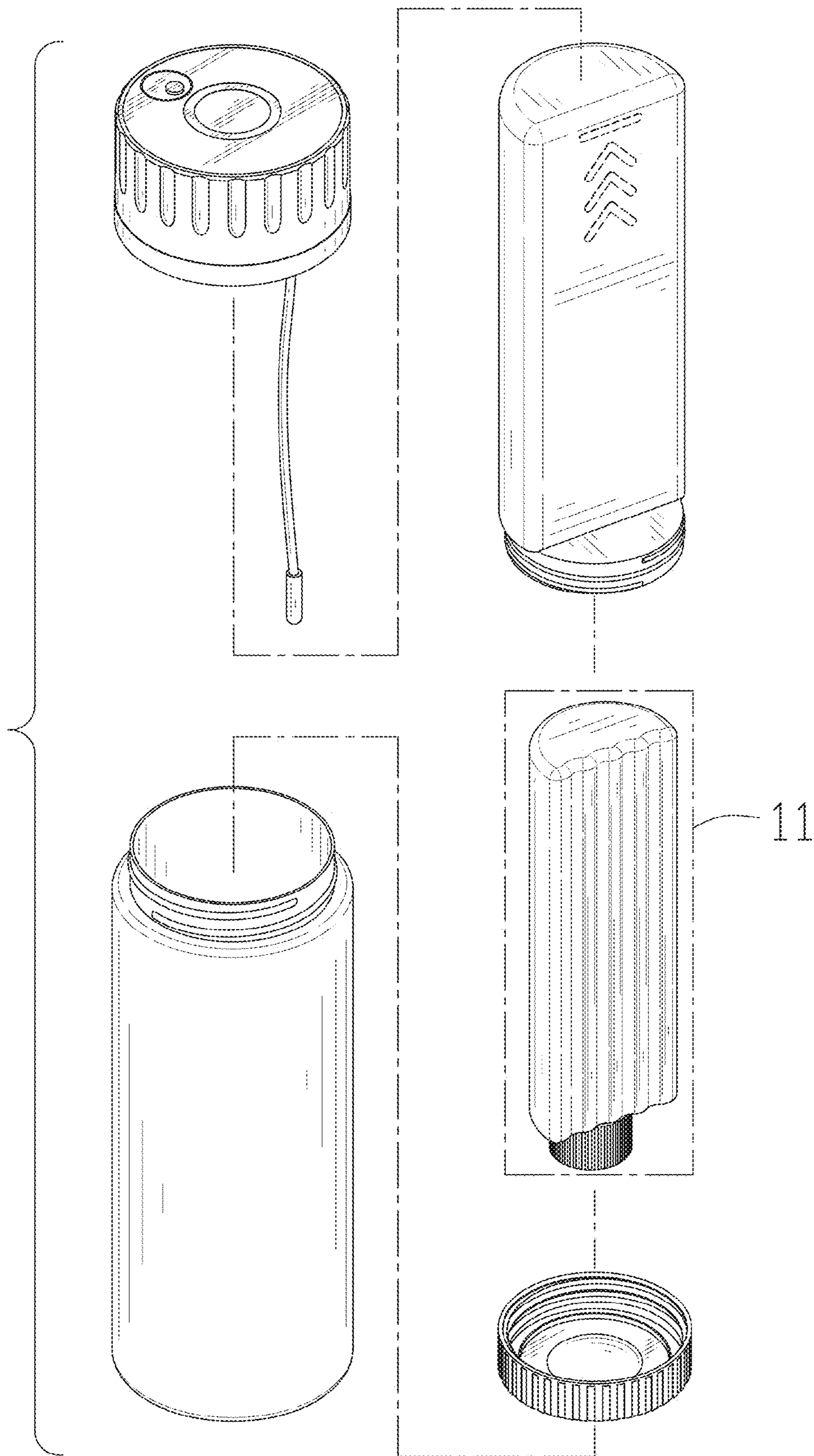


FIG. 9

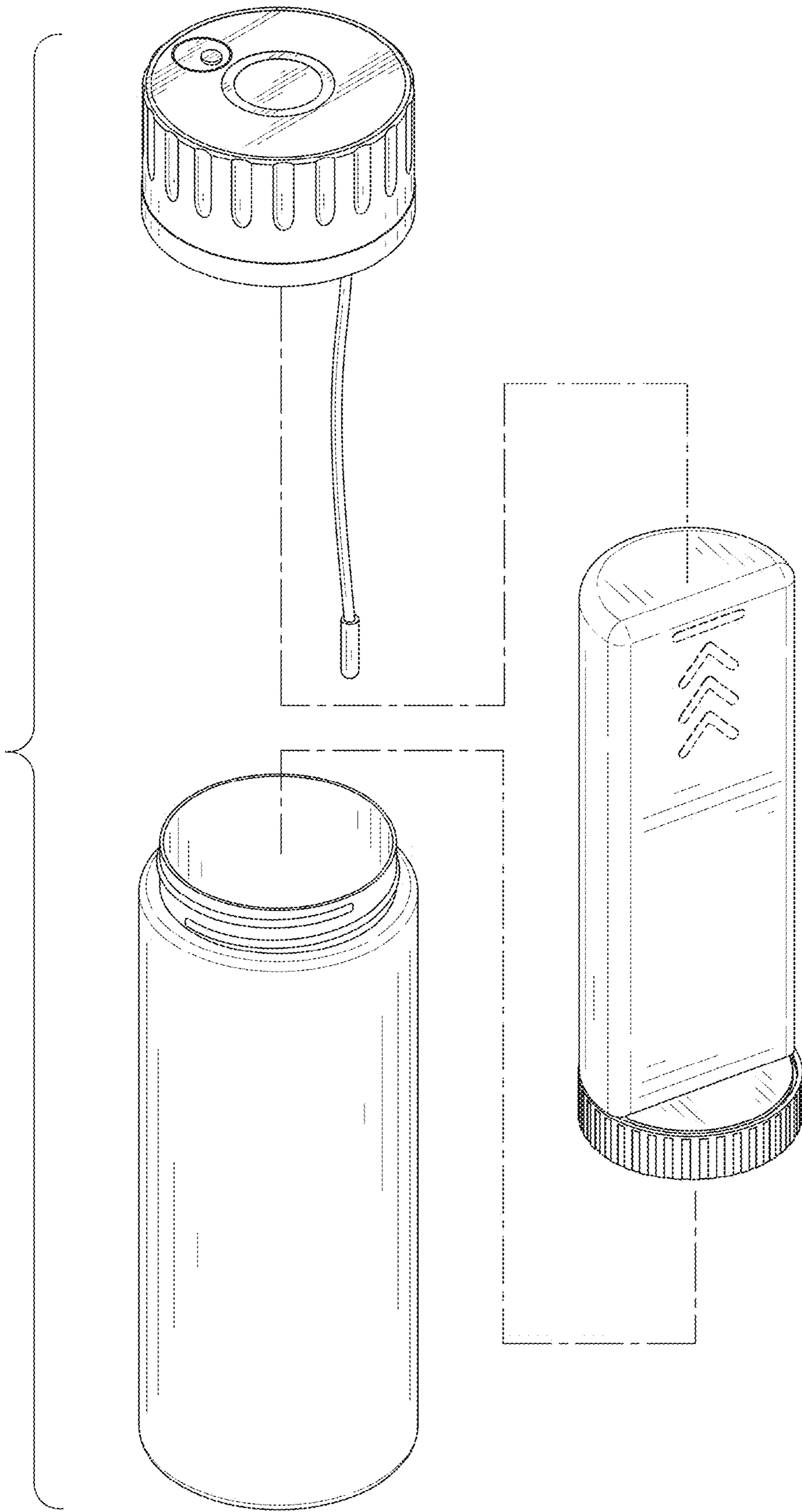


FIG. 10

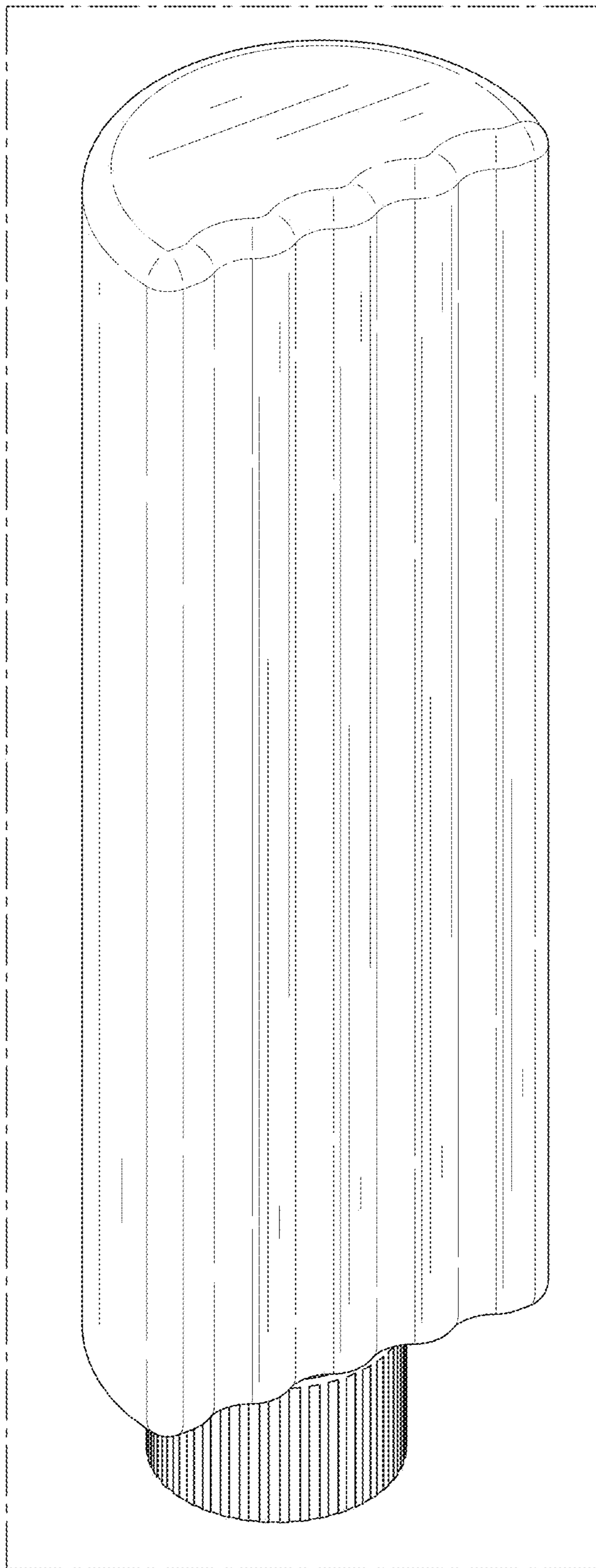


FIG. 11