



US00D900312S

(12) **United States Design Patent** (10) **Patent No.:** **US D900,312 S**  
**Davidson et al.** (45) **Date of Patent:** **\*\* Oct. 27, 2020**

(54) **APPLICATOR**

(71) Applicant: **Verrica Pharmaceuticals, Inc.**, West Chester, PA (US)

(72) Inventors: **Matthew Gene Davidson**, Venice, CA (US); **Jayson Michael Rieger**, Charlottesville, VA (US); **Eugene Scavola**, Charlottesville, VA (US); **Paul Daly**, Plymouth, NH (US)

(73) Assignee: **Verrica Pharmaceuticals, Inc.**, West Chester, PA (US)

(\*\*) Term: **15 Years**

(21) Appl. No.: **29/607,744**

(22) Filed: **Jun. 15, 2017**

(51) **LOC (12) Cl.** ..... **24-02**

(52) **U.S. Cl.**  
USPC ..... **D24/119**

(58) **Field of Classification Search**  
USPC ..... D24/108, 112, 113, 114, 115, 127-131, D24/133, 186, 216, 224, 111, 119, 137, D24/138, 141, 147, 177, 214, 222; D9/418, 434, 435, 447, 448, 449, 452, D9/453, 454, 724; D28/7; D23/233-250, D23/207, 209, 365  
CPC ..... A61M 25/00; A61M 39/00; A61M 27/00; A61M 25/0043; A61M 25/0067; A61M 25/0097; A61F 2/958; B01D 35/143; B01D 2201/304; B01D 27/10; B01D 27/106; A61K 31/12; A61K 31/365; A61K 36/29; A61K 31/7048; A61K 31/60  
See application file for complete search history.

(56) **References Cited**

U.S. PATENT DOCUMENTS

4,148,874 A 4/1979 Smith  
5,445,462 A 8/1995 Johnson et al.

5,590,780 A 1/1997 O'Meara  
5,702,694 A 12/1997 Chamness  
6,066,124 A \* 5/2000 Caillouette ..... A61M 35/003  
604/3

(Continued)

FOREIGN PATENT DOCUMENTS

CN 101012230 A 8/2007  
CN 101108854 A 1/2008

(Continued)

OTHER PUBLICATIONS

Verrica Develops a Solution for Common Warts <https://www.dermatologytimes.com/view/verrica-develops-solution-common-warts> Nov. 13, 2018 (Year: 2018).\*

(Continued)

*Primary Examiner* — Samantha Q Lawrence

(74) *Attorney, Agent, or Firm* — Wolf, Greenfield & Sacks, P.C.

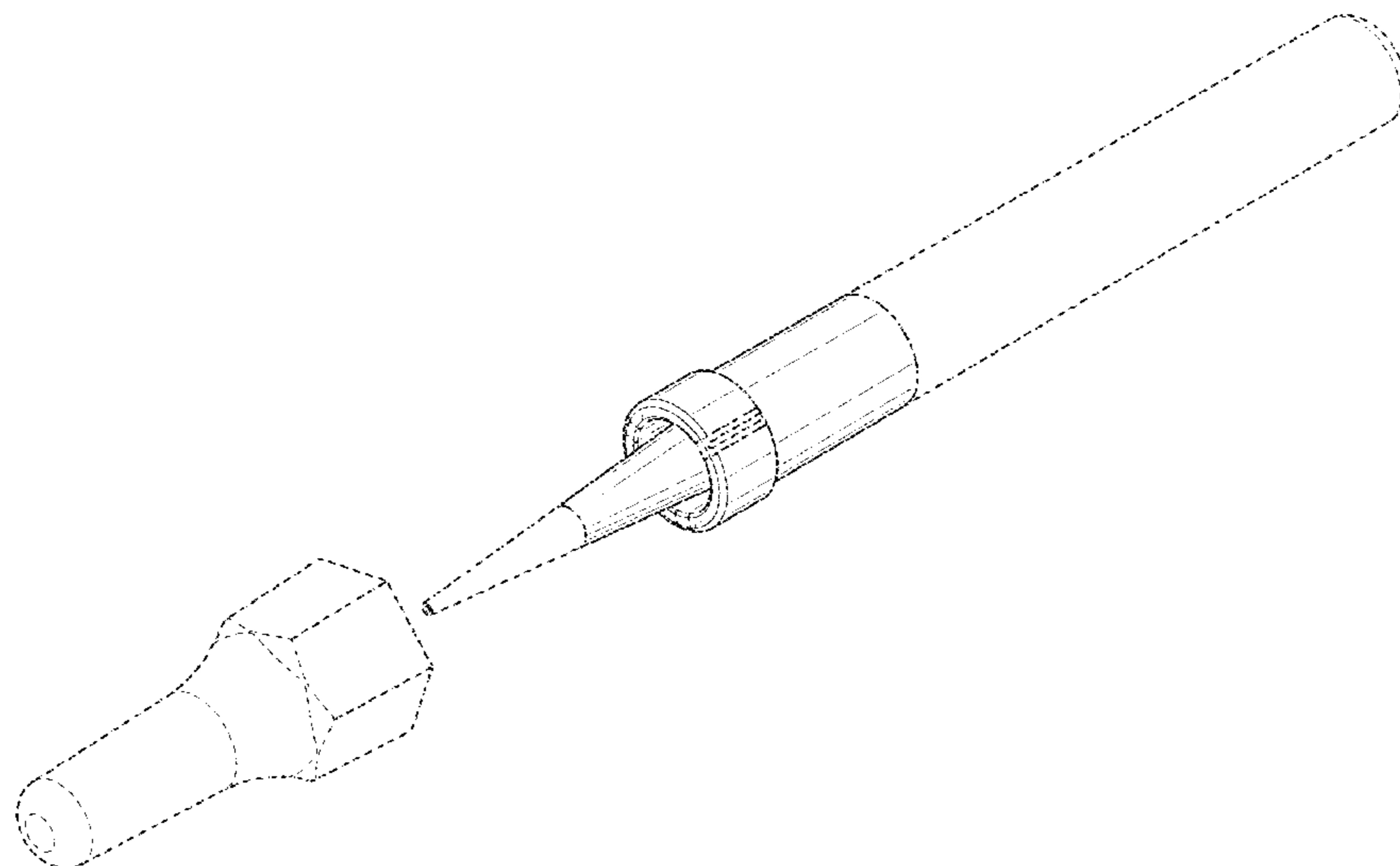
(57) **CLAIM**

The ornamental design for an applicator, as shown and described.

**DESCRIPTION**

FIG. 1 is a perspective view of an applicator; FIG. 2 is a right side view thereof, the left side view being a mirror image to the right side view; FIG. 3 is a top view thereof; and, FIG. 4 is a bottom view thereof. The surface shading shown in FIGS. 1-2 indicates that the claimed applicator is opaque. Material, texture, color, surface finish and surface ornamentation form no part of the claimed design. The dot-dash-dot lines represent the bounds of the claimed design that form no part of the claimed design. The remaining broken lines illustrate portions of the applicator that form no part of the claimed design.

**1 Claim, 3 Drawing Sheets**



(56)

## References Cited

## OTHER PUBLICATIONS

## U.S. PATENT DOCUMENTS

|              |      |         |                    |                           |
|--------------|------|---------|--------------------|---------------------------|
| D436,661     | S *  | 1/2001  | Berry .....        | D24/114                   |
| 6,547,467    | B2 * | 4/2003  | Quintero .....     | A61B 17/00491<br>206/438  |
| 6,673,031    | B2   | 1/2004  | Mark               |                           |
| 6,811,342    | B2 * | 11/2004 | Pauchet .....      | A45D 34/045<br>222/541.2  |
| 8,518,076    | B2   | 8/2013  | Stenton            |                           |
| 8,871,801    | B2   | 10/2014 | Levitt             |                           |
| D771,250     | S *  | 11/2016 | Zhang .....        | D24/133                   |
| D772,407     | S *  | 11/2016 | Zhang .....        | D24/133                   |
| D801,830     | S *  | 11/2017 | Zhang .....        | D9/724                    |
| 10,195,635   | B2 * | 2/2019  | Sporrer .....      | A61M 35/00                |
| D868,160     | S *  | 11/2019 | Lam .....          | D19/119                   |
| 2003/0068331 | A1   | 4/2003  | Battaglia et al.   |                           |
| 2004/0242770 | A1   | 12/2004 | Feldstein et al.   |                           |
| 2004/0254561 | A1 * | 12/2004 | Stenton .....      | A61B 17/00491<br>604/500  |
| 2005/0019418 | A1   | 1/2005  | Crutchfield et al. |                           |
| 2005/0111900 | A1   | 5/2005  | Fazzolari et al.   |                           |
| 2005/0169696 | A1   | 8/2005  | Albisetti          |                           |
| 2006/0110415 | A1   | 5/2006  | Gupta              |                           |
| 2006/0180613 | A1 * | 8/2006  | Manesis .....      | A61F 9/0008<br>222/189.09 |
| 2007/0000566 | A1   | 1/2007  | Gueret             |                           |
| 2007/0111954 | A1   | 5/2007  | Crutchfield et al. |                           |
| 2007/0187437 | A1   | 8/2007  | Lord               |                           |
| 2008/0146674 | A1   | 6/2008  | Rosenberg et al.   |                           |
| 2008/0195040 | A1   | 8/2008  | Clark et al.       |                           |
| 2009/0311028 | A1   | 12/2009 | Odermatt et al.    |                           |
| 2011/0208136 | A1   | 8/2011  | Sollingen et al.   |                           |
| 2011/0212033 | A1   | 9/2011  | Tamarkin et al.    |                           |
| 2012/0016320 | A1   | 1/2012  | Lin                |                           |
| 2012/0148520 | A1   | 6/2012  | Strobel et al.     |                           |
| 2012/0190658 | A1   | 7/2012  | Studin             |                           |
| 2012/0312709 | A1   | 12/2012 | Kaufman            |                           |
| 2013/0004230 | A1   | 1/2013  | Kirk et al.        |                           |
| 2013/0197075 | A1   | 8/2013  | Levitt             |                           |
| 2014/0275248 | A1   | 9/2014  | Johnson            |                           |
| 2015/0118164 | A1   | 4/2015  | Tamarkin et al.    |                           |
| 2016/0193177 | A1   | 7/2016  | Davidson           |                           |
| 2017/0305925 | A1   | 10/2017 | Piotrowski et al.  |                           |
| 2019/0002474 | A1   | 1/2019  | Davidson et al.    |                           |
| 2019/0031674 | A1   | 1/2019  | Davidson et al.    |                           |

## FOREIGN PATENT DOCUMENTS

|    |                   |    |         |
|----|-------------------|----|---------|
| CN | 101798309         | A  | 8/2010  |
| CN | 102146086         | A  | 8/2011  |
| CN | 102268006         | A  | 12/2011 |
| CN | 102336765         | A  | 2/2012  |
| CN | 102526146         | A  | 7/2012  |
| CN | 202730045         | A  | 2/2013  |
| CN | 202920809         | A  | 5/2013  |
| EP | 0841059           | A1 | 5/1998  |
| EP | 14837297.2        |    | 3/2017  |
| JP | 05-058914         |    | 3/1993  |
| JP | 10-114626         | A  | 5/1998  |
| JP | 11-319064         |    | 11/1999 |
| JP | 11-335303         |    | 12/1999 |
| JP | 2005-187330       | A  | 7/2005  |
| JP | 2007-269693       |    | 10/2007 |
| JP | 2010-235471       | A  | 10/2010 |
| JP | 47-39621          | B2 | 8/2011  |
| JP | 2013-507367       | A  | 3/2013  |
| WO | WO 2012/131238    | A1 | 10/2012 |
| WO | PCT/US2014/052184 |    | 11/2014 |
| WO | WO 2015/027111    | A1 | 2/2015  |
| WO | WO 2016/100732    | A2 | 6/2016  |
| WO | WO 2018/226894    | A1 | 12/2018 |

Extended European Search Report, dated Mar. 10, 2017, in connection with EP 14837297.2.

International Search Report and Written Opinion, dated Nov. 20, 2014, in connection with PCT/US2014/052184.

Extended European Search Report, dated Oct. 26, 2018, in connection with EP 15871116.8.

Supplementary European Search Report, dated Aug. 8, 2018, in connection with EP 16740681.8.

Extended European Search Report, dated Dec. 4, 2018, in connection with EP 16740681.8.

Invitation to Pay Additional Fees, mailed Aug. 27, 2018, in connection with PCT/US2018/03653.

International Search Report and Written Opinion, dated Oct. 22, 2018, in connection with PCT/US2018/036353.

Invitation to Pay Additional Fees, mailed Sep. 20, 2018, in connection with PCT/US2018/037808.

International Search Report and Written Opinion, dated Nov. 13, 2018, in connection with PCT/US2018/037808.

International Preliminary Report on Patentability dated Dec. 26, 2019 in connection with International Application No. PCT/US2018/037808.

Invitation to Pay Additional Fees, mailed Dec. 10, 2018, in connection with PCT/US2018/054373.

International Search Report and Written Opinion, dated Apr. 3, 2019 in connection with PCT/US2018/054373.

International Preliminary Report on Patentability dated Apr. 16, 2020, in connection with International Application No. PCT/US2018/054373.

[No Author Listed] CAS RN 27607-77-8. Entered STN: Nov. 16, 1984 28 pages.

[No Author Listed] CAS RN 76262-87-8. Entered STN: Nov. 16, 1984 19 pages.

[No Author Listed] CAS RN 89672-77-5. Entered STN: Nov. 16, 1984 29 pages.

Aitken et al., Fragmentation patterns in the gas-phase pyrolysis of some bi- and tri-cyclic sulfolanones related to the 8-thiabicyclo[4.3.0]non-3-ene 8,8-dioxide ring system. *J Chem Soc. Perkin Transactions 1*. 1994;16:2301-2308.

Anderson et al., *Practical Process Research and Development*. 1st Edition. Academic Press. Mar. 20, 2000 81-111.

Augé et al., Catalysis by Lithium Cation: Lithium Trifluoromethanesulfonate as a Substitute for Lithium Perchlorate in Cycloadditions. *Synlett* 2000;6:877-9.

Bouacha et al., A theoretical study of the mechanism, stereoselectivity and Lewis acid catalyst on the Diels-Alder cycloaddition between furan and activated alkenes. *Tetrahedron Letters*. 2013;54:4030-4033.

Braddock et al., Stereochemistry of the Catalysed Diels-Alder Reaction between Cyclopentadiene and Dimethyl Monothionofumarate; Soft versus Hard Lewis Acids. *J. Chem. Soc. Chem. Commun.* Jan. 1, 1993;16:1244-6. doi: <https://doi.org/10.1039/C39930001244>.

Brion et al., On the lewis acid catalyzed diels-alder reaction of furan. regio- and stereospecific synthesis of substituted cyclohexenols and cyclohexadienols. *Tetrahedron Letters*. 1982;23(50):5299-302. [https://doi.org/10.1016/S0040-4039\(00\)85823-2](https://doi.org/10.1016/S0040-4039(00)85823-2).

Hollis et al., Homogeneous catalysis. Titanium complex [Ti(Cp)<sub>2</sub>(CF<sub>3</sub>SO<sub>3</sub>)<sub>2</sub>] and zirconium complex [Zr(Cp)<sub>2</sub>(CF<sub>3</sub>SO<sub>3</sub>)<sub>2</sub>THF], efficient catalysts for the Diels-Alder reaction. *Organometallics*. Aug. 1, 1992;11(8):2745-8. <https://doi.org/10.1021/om00044a004>.

Hollis et al., Homogenous Catalysis: Transition Metal Based Lewis Acid Catalysts. *Tetrahedron*. 1993;49(25):5415-30. doi: [https://doi.org/10.1016/S0040-4020\(01\)87259-8](https://doi.org/10.1016/S0040-4020(01)87259-8).

Houk et al, On Lewis Acid catalysis of diels-alder reactions. *J Am Chem Soc*. Jun. 13, 1973;95(12):4094-4096.

Huang, Catalysts for Hetero Diels-Alder Reaction of Imines. *Chinese Journal of Organic Chemistry*. Oct. 2003;23(10):1064-75.

Hubbard et al., Lewis Acid Catalyzed Diels—Alder Reactions of Highly Hindered Dienophiles. *J. Org. Chem*. 1998;63(12):4143-4146.

Hunt et al., Why do catalytic quantities of lewis acid generally yield more product than 1.1 equiv in the intramolecular diels-adler



(56)

**References Cited**

## OTHER PUBLICATIONS

- reaction with a furan diene? Competitive complexation NMR studies provide an answer. *J Am Chem Soc.* 1995;117:1049-1056.
- Kharitonov et al., Synthetic transformations of higher terpenoids: VIII. [4+2]-Cycloaddition reactions of lambertianic acid. *Russian J Organic Chem.* 2003;39(1):57-74.
- Lange et al., Synthesis of 4-carboxy-2-thiabicyclo [3.2.0] Heptan-6-ones via 3-carboxy-2,3-dihydrothiophenes: potential  $\beta$ -lactamase inhibitors. *Tetrahedron Lett.* 1985;26(15):1791-1794.
- Pagni et al., A chemical, spectroscopic, and theoretical assessment of the lewis acidity of LiClO<sub>4</sub> in Diethyl Ether. *J. Org Chem.* 1993;58:3130-3133.
- Prabhakar Reddy et al., Synthesis, cytotoxic activity and structure-activity relationships of hedychenone analogues. *Bioorg Med Chem Lett.* Apr. 15, 2010;20(8):2525-8. doi: 10.1016/j.bmcl.2010.02.101. Epub Mar. 3, 2010.
- Song et al., Ionic liquids as powerful media in scandium triflate catalysed Diels—Alder reactions: significant rate acceleration, selectivity improvement and easy recycling of catalyst. *Chem Commun.* 2001;12:1122-3.
- Sperry et al., Studies on the Diels—Alder reaction of annulated furans: application to the synthesis of substituted phenanthrenes. *Tetrahedron Letters.* Apr. 18, 2005;46(16):2789-93. Doi: 10.1016/j.tetlet.2005.02.148.
- Tseng et al., Synthesis and Evaluation of Cantharidinimides on Human Cancer Cells. *J Exp Clin Med.* Oct. 2012;4(5):280-283.

\* cited by examiner

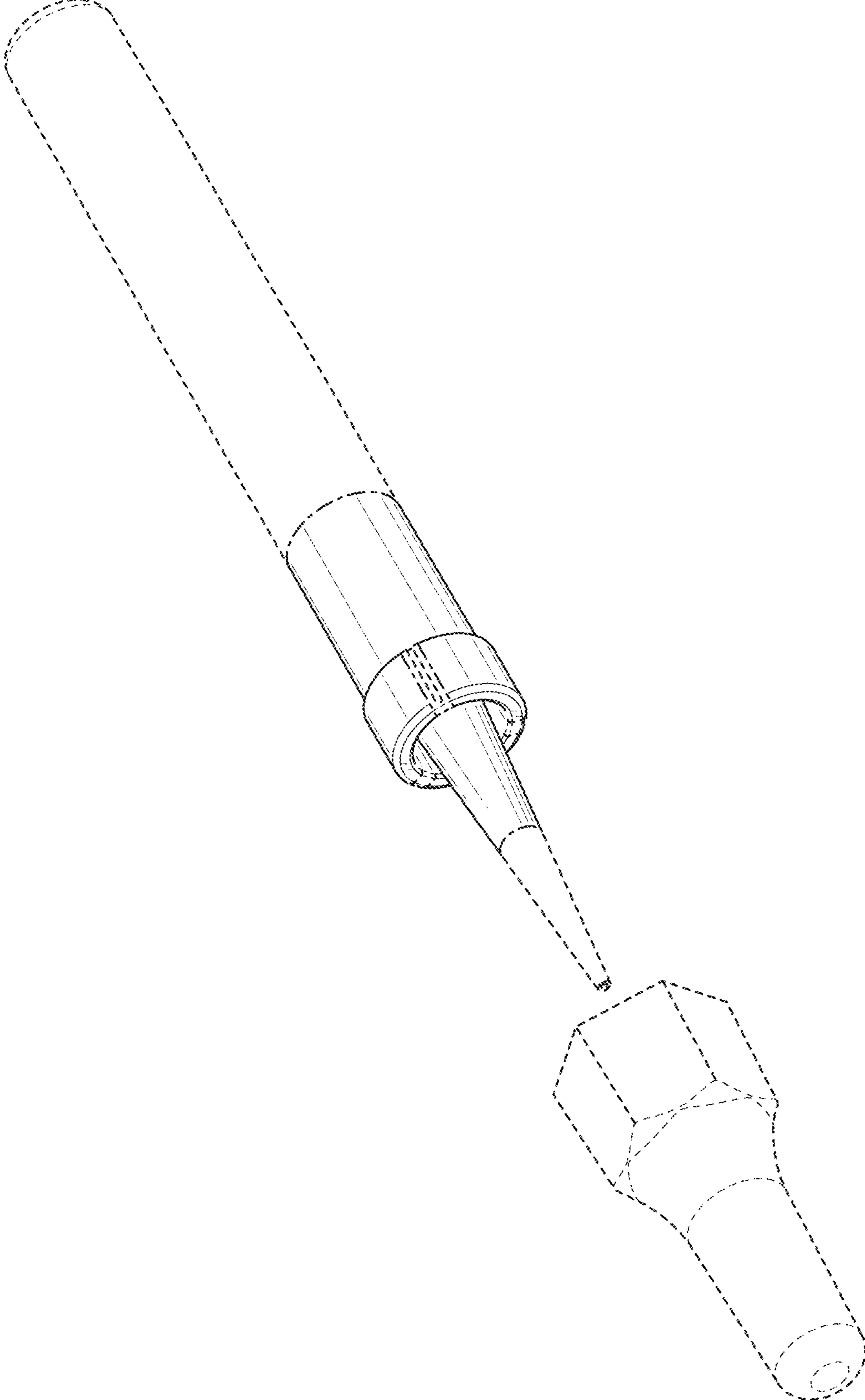


FIG. 1

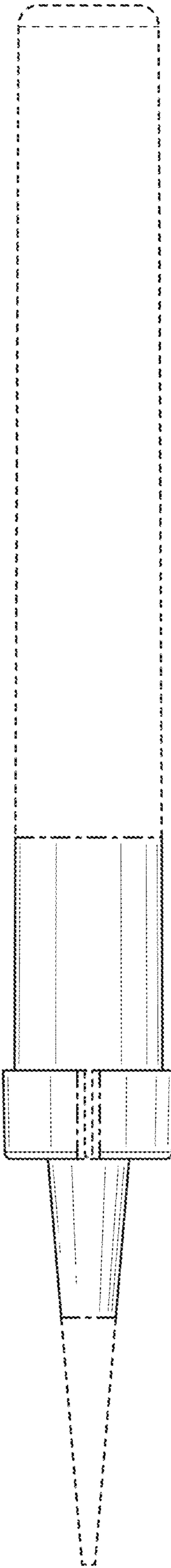


FIG. 2

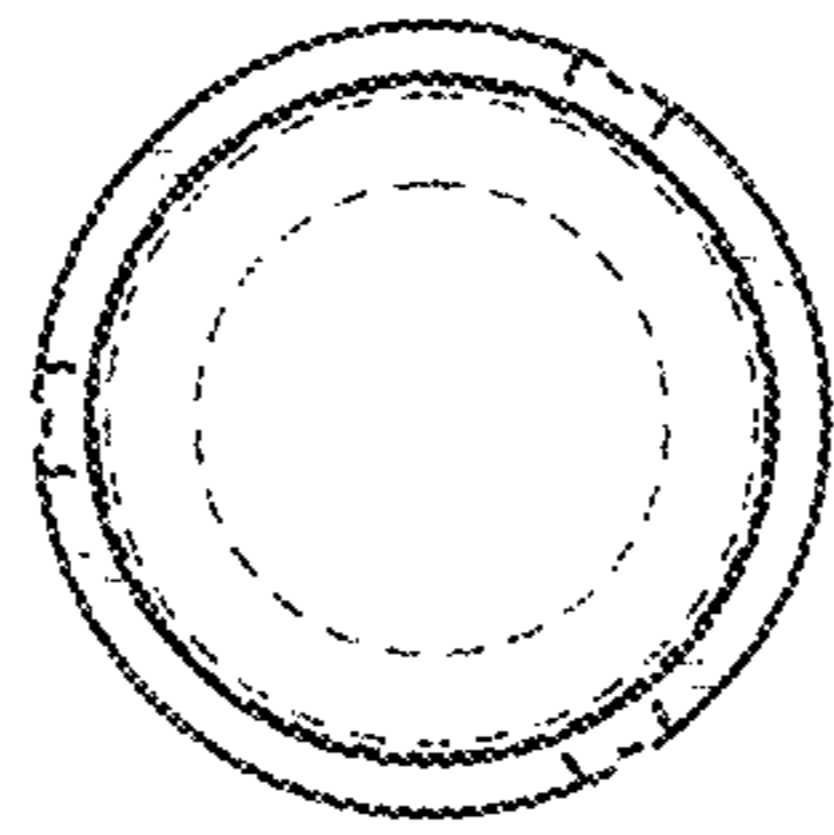


FIG. 4

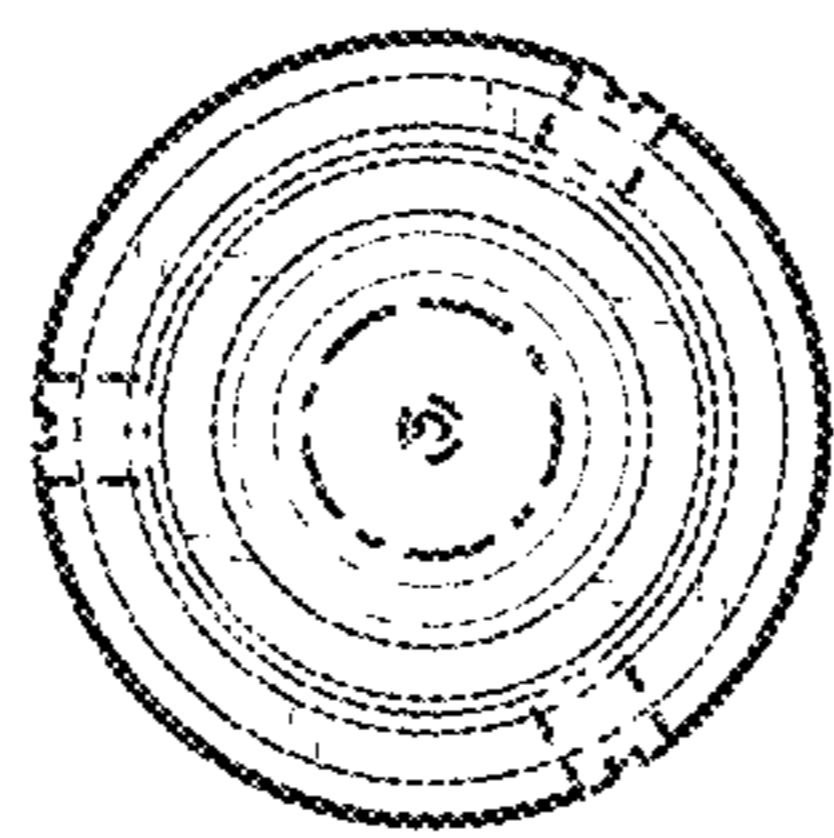


FIG. 3