



US00D900309S

(12) **United States Design Patent**  
**Ono**

(10) **Patent No.:** **US D900,309 S**

(45) **Date of Patent:** **\*\* Oct. 27, 2020**

(54) **AUTO INJECTOR**

(71) Applicant: **NiPPharma Co., Ltd.**, Tokyo (JP)

(72) Inventor: **Shinichi Ono**, Tokyo (JP)

(73) Assignee: **NiPPharma Co., Ltd.**, Tokyo (JP)

(\*\*) Term: **15 Years**

(21) Appl. No.: **29/675,282**

(22) Filed: **Dec. 30, 2018**

(30) **Foreign Application Priority Data**

Aug. 22, 2018 (JP) ..... 2018-018297

(51) **LOC (12) Cl.** ..... **24-02**

(52) **U.S. Cl.**  
USPC ..... **D24/112**

(58) **Field of Classification Search**  
USPC ..... D24/112-114, 108, 133, 130, 127, 186;  
606/181, 185; 604/264, 272, 187, 181,  
604/184, 227

CPC ..... A61M 5/178; A61M 3/00; A61M 5/20;  
A61M 5/31; A61M 5/3146; A61M  
5/3129; A61M 5/3148; A61M 5/315  
See application file for complete search history.

(56) **References Cited**

**U.S. PATENT DOCUMENTS**

D479,599 S \* 9/2003 Bainton ..... D19/167  
D479,600 S \* 9/2003 Bainton ..... D24/112

D479,601 S \* 9/2003 Tyce ..... D19/164  
D479,602 S \* 9/2003 Bainton ..... D19/164  
D479,603 S \* 9/2003 Tyce ..... D19/164  
D491,263 S \* 6/2004 Hawley ..... D19/164  
D752,738 S \* 3/2016 Riess ..... D24/113  
D755,370 S \* 5/2016 Riess ..... D24/113  
D770,038 S \* 10/2016 Ahlgrim ..... D24/113  
D770,610 S \* 11/2016 Saussaye ..... D24/113  
D770,611 S \* 11/2016 Saussaye ..... D24/114  
D775,723 S \* 1/2017 Rowe ..... D24/112  
D810,282 S \* 2/2018 Ration ..... D24/113

\* cited by examiner

*Primary Examiner* — David G Muller

(74) *Attorney, Agent, or Firm* — Pyprus Pte Ltd

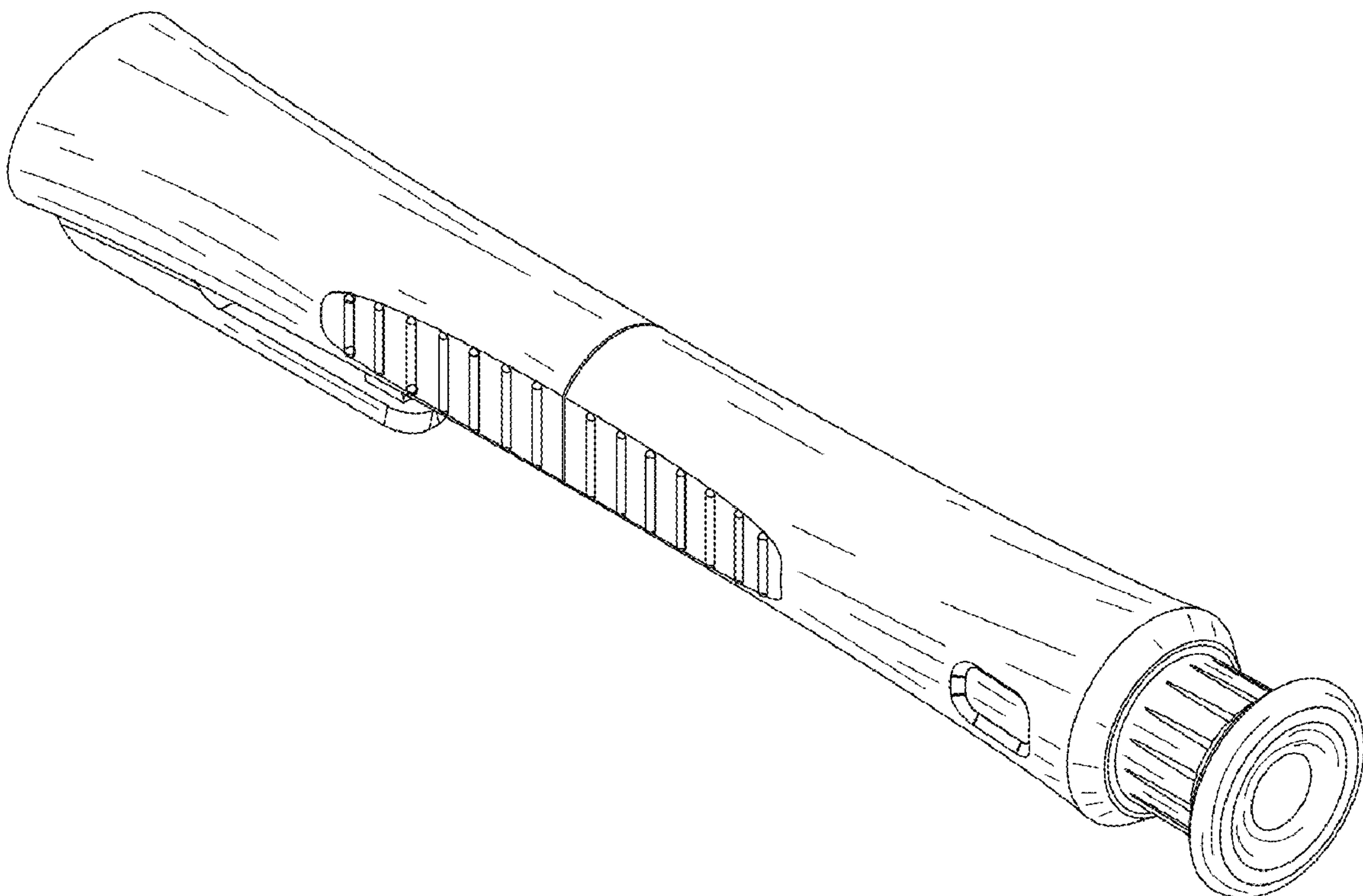
(57) **CLAIM**

The ornamental design for an auto injector, as shown and described.

**DESCRIPTION**

FIG. 1 is a front elevation view of the auto injector of my new design;  
FIG. 2 is a rear elevation view thereof;  
FIG. 3 is a left side elevation view thereof;  
FIG. 4 is a right side elevation view thereof;  
FIG. 5 is a top plan view thereof;  
FIG. 6 is a bottom plan view thereof; and,  
FIG. 7 is a perspective view thereof.

**1 Claim, 7 Drawing Sheets**



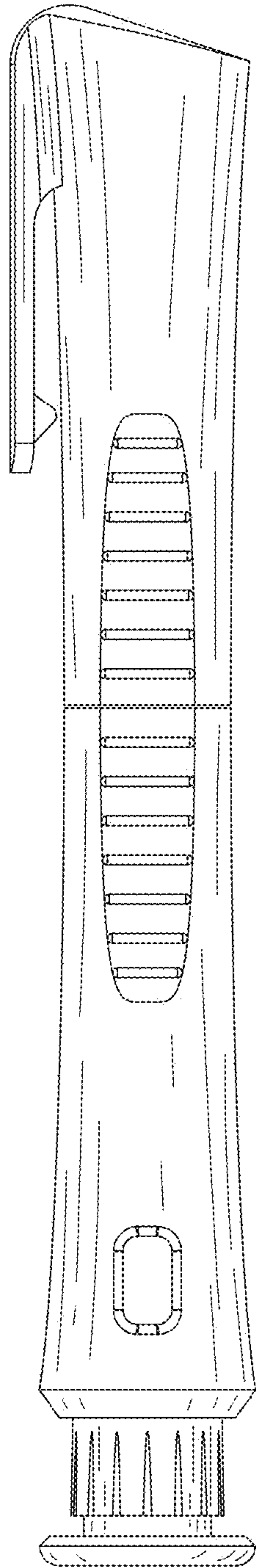


FIG. 1

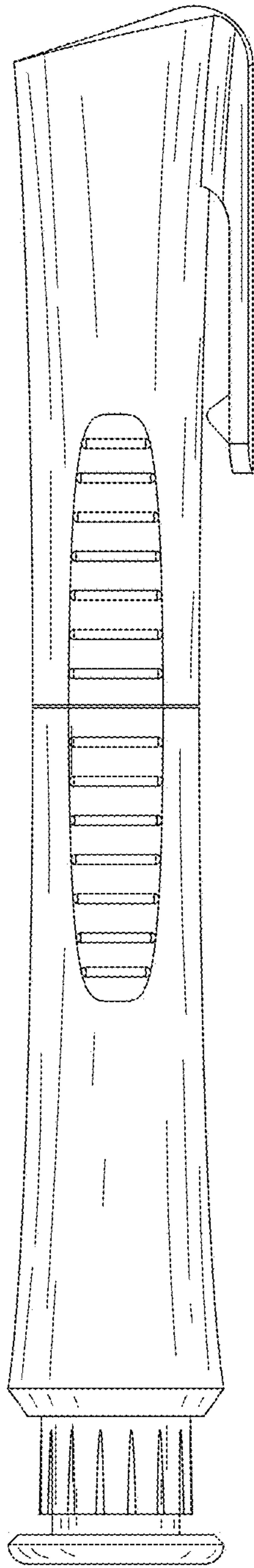


FIG. 2

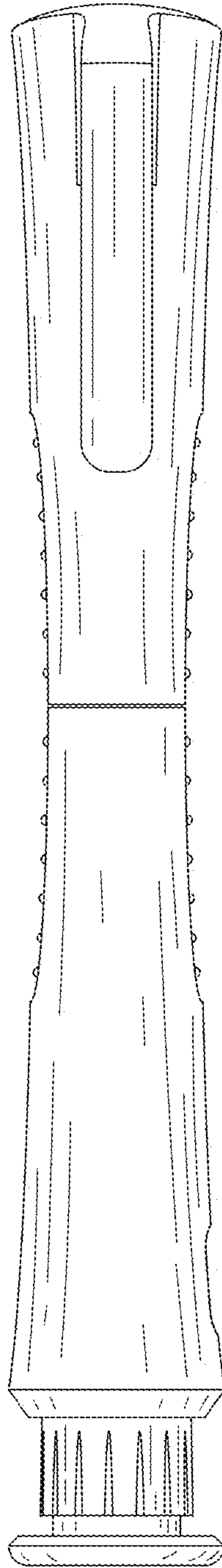


FIG. 3

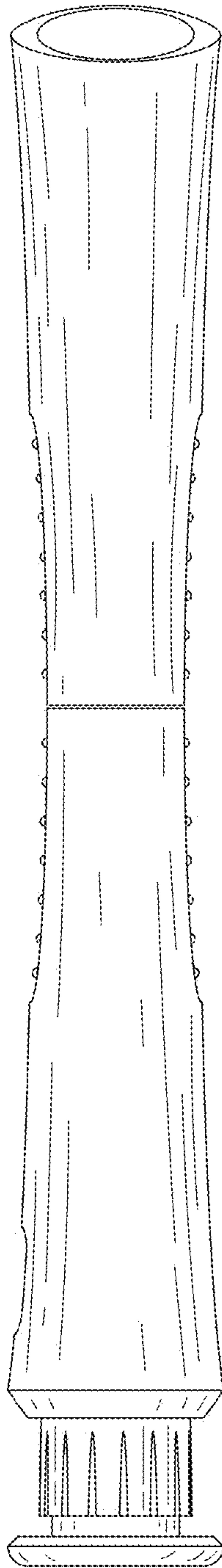


FIG. 4

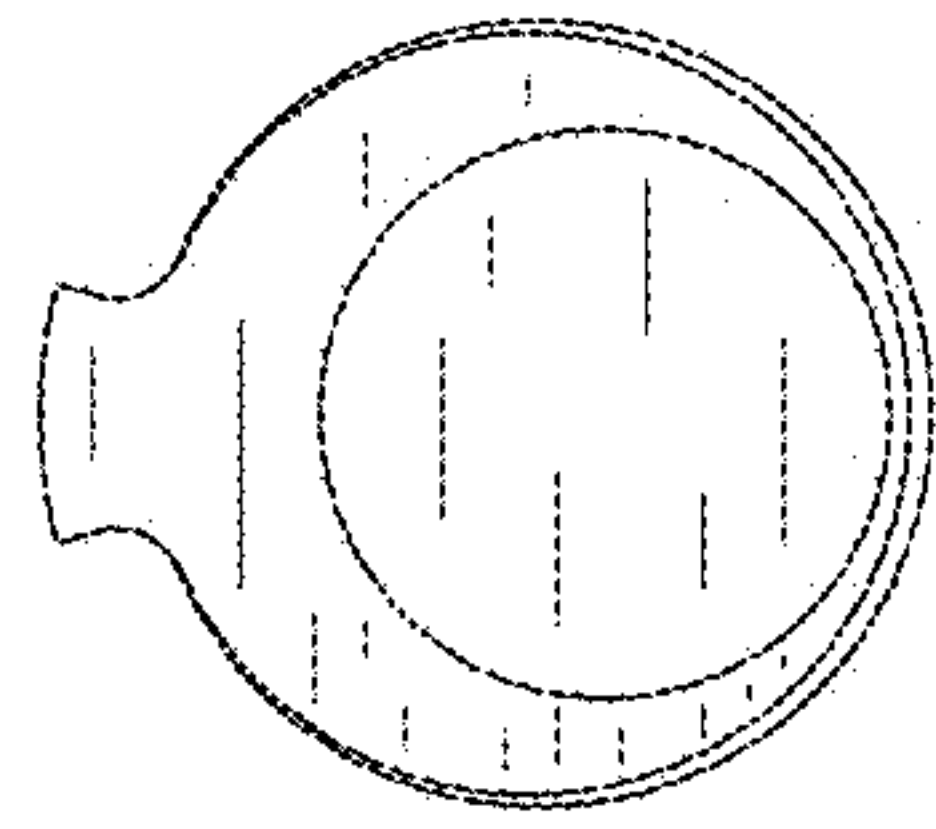


FIG. 5

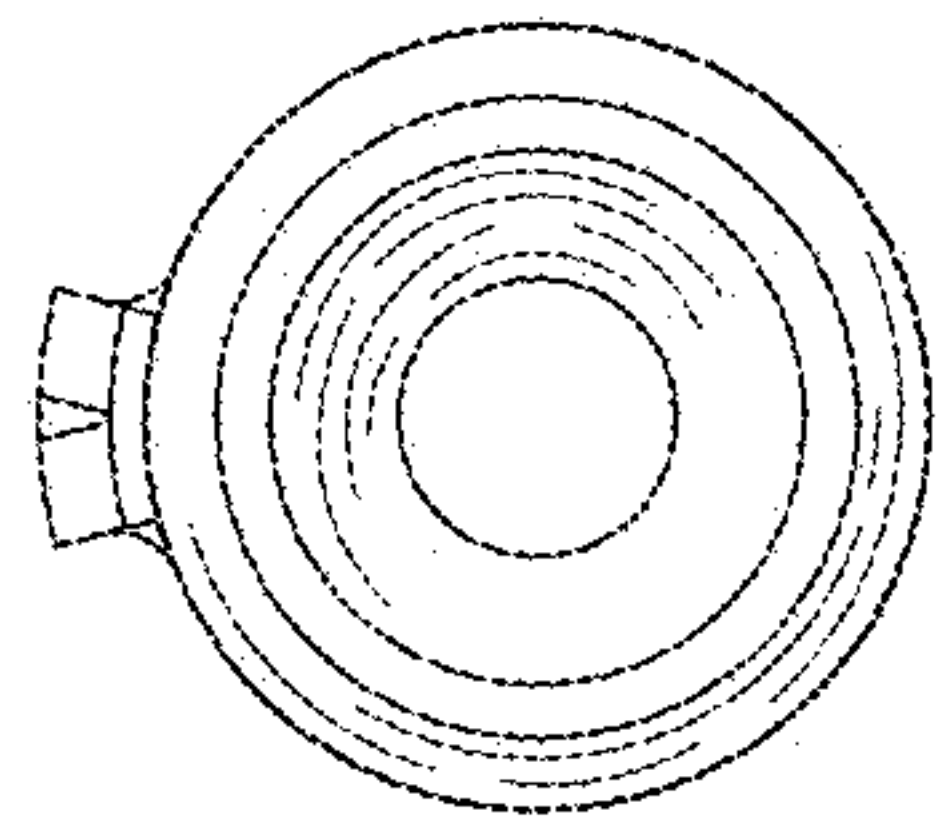


FIG. 6

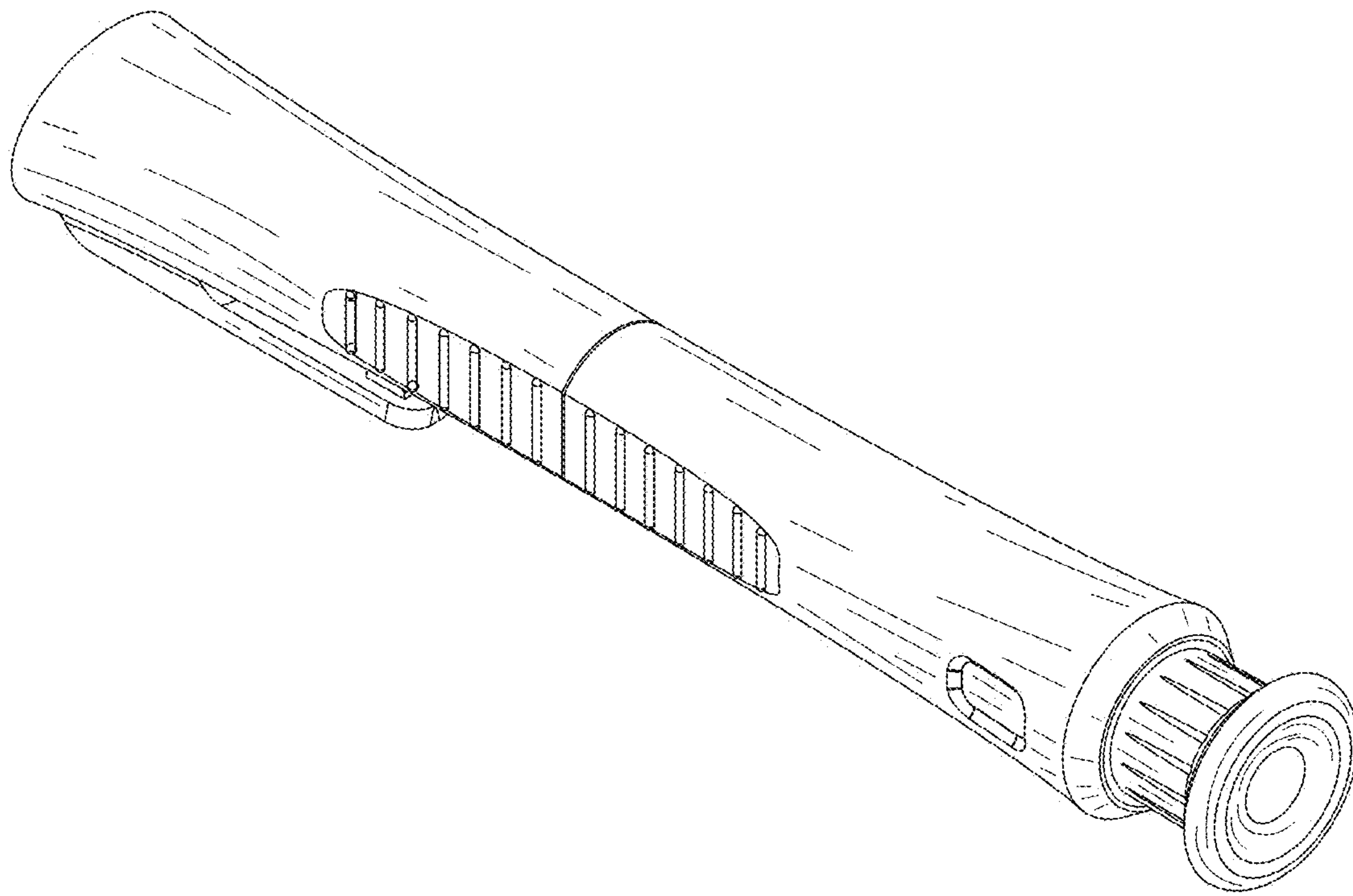


FIG. 7