



US00D900306S

(12) **United States Design Patent**
Eitzman et al.

(10) **Patent No.:** **US D900,306 S**
(45) **Date of Patent:** **** Oct. 27, 2020**

(54) **VALVE COVER**

DESCRIPTION

- (71) Applicant: **3M INNOVATIVE PROPERTIES COMPANY**, St. Paul, MN (US)
- (72) Inventors: **Philip D. Eitzman**, Lake Elmo, MN (US); **Thomas J. Xue**, Woodbury, MN (US)
- (73) Assignee: **3M Innovative Properties Company**, St. Paul, MN (US)
- (**) Term: **15 Years**
- (21) Appl. No.: **29/577,888**
- (22) Filed: **Sep. 16, 2016**
- (51) **LOC (12) Cl.** **29-02**
- (52) **U.S. Cl.**
USPC **D24/110.6; D24/129; D24/110.1**
- (58) **Field of Classification Search**
USPC **D24/110.1, 110.6, 162, 127, 129, 110.2; D23/332, 335, 355, 356, 366, 388, 412;**
(Continued)

(56) **References Cited**

U.S. PATENT DOCUMENTS

- 1,268,696 A 6/1918 Donald
 - 2,999,498 A 9/1961 Matheson
- (Continued)

FOREIGN PATENT DOCUMENTS

- CN 202751705 2/2013
 - CN 104147719 11/2014
- (Continued)

Primary Examiner — Lilyana Bekic

(74) *Attorney, Agent, or Firm* — Steven A. Bern; Dena M. Ehrich

(57) **CLAIM**

The ornamental design for a valve cover, as shown and described.

U.S. application Ser. No. 29/577,873 filed on Sep. 16, 2016, entitled “Valve Cover,” is incorporated herein by reference in its entirety.

FIG. 1 is a right top perspective view of a valve cover in accordance with our new design;

FIG. 2 is a top plan view thereof;

FIG. 3 is a front elevation thereof;

FIG. 4 is a rear elevation view thereof;

FIG. 5 is a left side elevation view thereof, the right side elevation view is a mirror image thereof;

FIG. 6 is a bottom plan view thereof;

FIG. 7 is a left bottom perspective view thereof;

FIG. 8 is a right top perspective view thereof and shown attached to a base; and,

FIG. 9 is a right top perspective view of FIG. 8 and shown attached to a respirator.

The diagonal surface shading lines indicate that the surface of the valve cover is either transparent or translucent as further described herein.

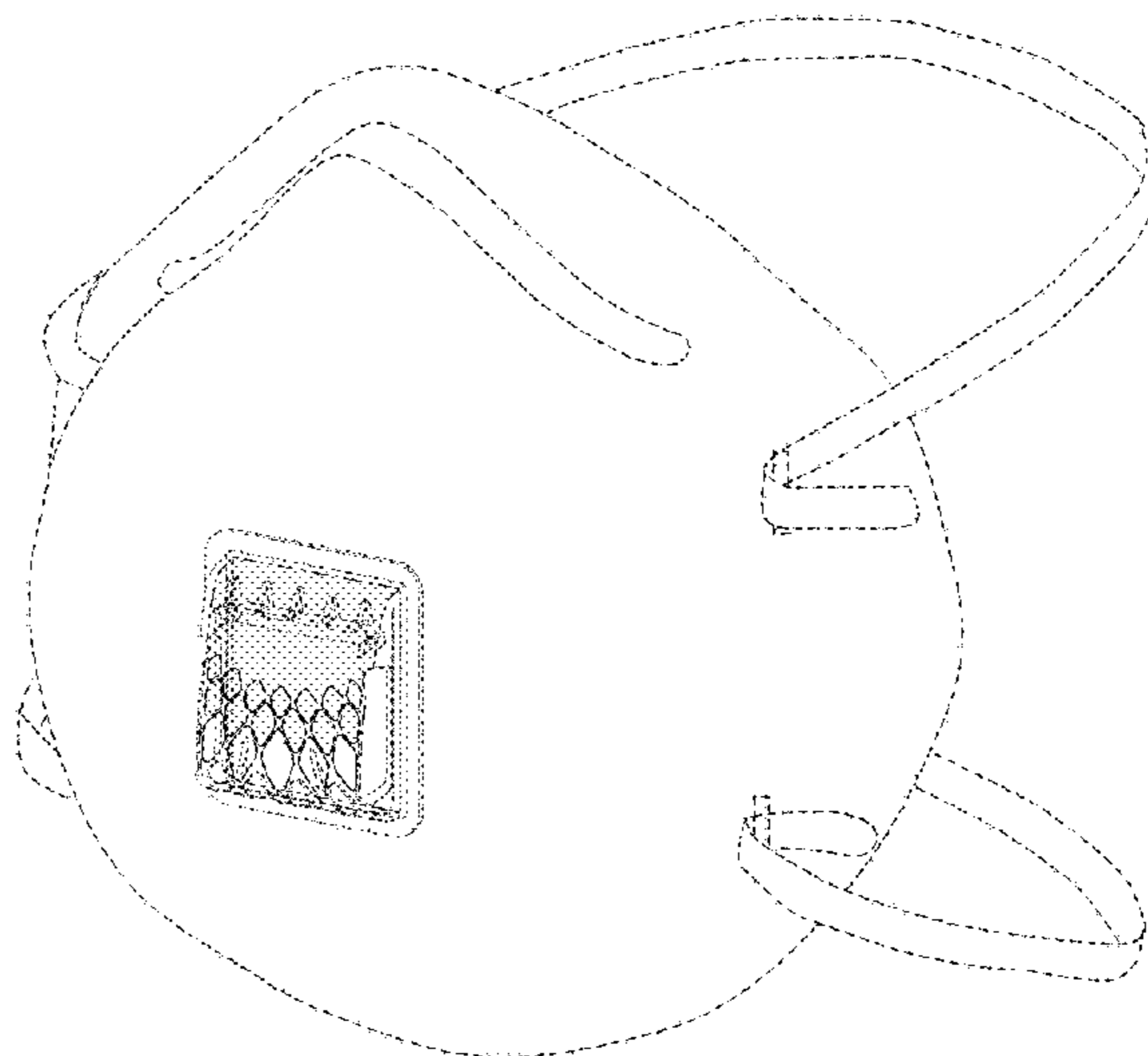
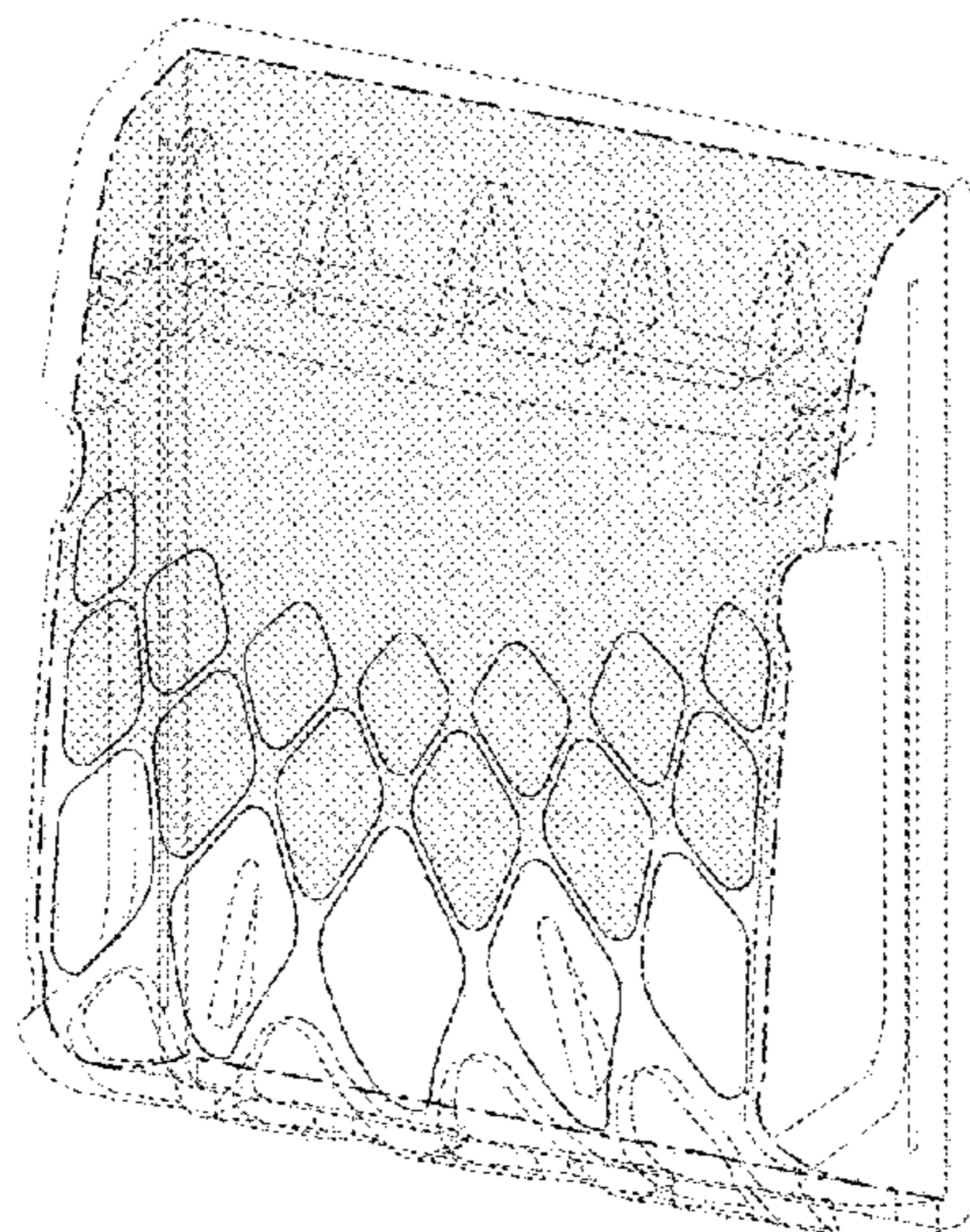
The claimed gray surfaces of the valve cover are translucent. The remaining claimed surfaces, other than the claimed gray surfaces, of the valve cover are transparent.

An exterior surface that extends from the top front to the top rear is shown in broken lines and forms no part of the claimed design. An interior surface that extends from the bottom front to the bottom rear forms part of the claimed design, including a diamond pattern rendered in solid lines, and is seen through the exterior surface because the exterior surface is either translucent or transparent.

The dot-dash broken lines in the figures immediately adjacent the solid lines represent a boundary between claimed and unclaimed subject matter and form no part of the claimed design.

The dash-dash broken lines showing the base in FIGS. 8-9 and the respirator in FIG. 9 depict environment and form no part of the claimed design. All other dash-dash broken lines depict portions of the valve cover that form no part of the claimed design.

1 Claim, 4 Drawing Sheets



(58) **Field of Classification Search**

USPC D29/102, 105, 106, 108, 122; D3/272,
D3/273, 302, 903; D9/420, 430, 432
CPC A62B 18/025; A62B 18/02; A62B 9/02;
A62B 18/084; A62B 23/02; A62B 7/10;
A62B 18/08; A61M 16/208; A61M
16/201; A61M 16/207; A61M 16/20;
A61M 16/06; A61M 16/0003; A61M
16/206

See application file for complete search history.

D657,052 S * 4/2012 Amin D24/110.1
D657,053 S * 4/2012 Amin D24/110.1
D676,527 S * 2/2013 Xue D23/248
D698,498 S * 1/2014 Fleming D29/108
9,408,424 B2 * 8/2016 Noh A41D 13/1161
D827,811 S * 9/2018 Eitzman D24/110.6
D827,812 S * 9/2018 Eitzman D24/110.6
D828,546 S * 9/2018 Eitzman D24/110.6
D842,983 S * 3/2019 Eitzman D24/110.6
D843,562 S * 3/2019 Eitzman D24/110.6
D849,245 S * 5/2019 Eitzman D24/110.6
2002/0023651 A1 * 2/2002 Japuntich A41D 13/11
128/206.15

(56) **References Cited**

U.S. PATENT DOCUMENTS

3,474,783 A 10/1969 Ulmann
4,414,973 A 11/1983 Matheson
4,630,862 A 12/1986 Watanabe
4,749,003 A 6/1988 Leason
4,838,262 A 6/1989 Katz
4,934,362 A 6/1990 Braun
4,958,633 A 9/1990 Angell
4,974,586 A 12/1990 Wandel
4,981,134 A 1/1991 Courtney
D347,298 S * 5/1994 Japuntich D24/110.4
D347,299 S * 5/1994 Bryant D16/313
5,325,892 A * 7/1994 Japuntich A62B 18/025
137/855
5,331,957 A 7/1994 Liu
5,509,436 A * 4/1996 Japuntich A62B 18/025
137/15.18
5,687,767 A 11/1997 Bowers
D389,239 S * 1/1998 Scholey D24/110.6
6,047,698 A 4/2000 Magidson
6,102,039 A * 8/2000 Springett B32B 5/26
128/206.12
D431,647 S * 10/2000 Henderson D24/110.1
6,125,849 A * 10/2000 Williams A62B 23/025
128/206.12
6,460,539 B1 * 10/2002 Japuntich A41D 13/1138
128/205.12
RE37,974 E * 2/2003 Bowers A62B 18/10
128/205.24
6,843,248 B2 1/2005 Japuntich
7,007,695 B2 3/2006 Curran
7,013,895 B2 3/2006 Martin
7,013,985 B2 3/2006 Sasaki
7,028,689 B2 4/2006 Martin
7,069,931 B2 4/2006 Curran
7,117,868 B1 * 10/2006 Japuntich A62B 18/025
128/205.27
7,188,622 B2 3/2007 Martin
7,503,326 B2 3/2009 Martin
7,686,018 B2 3/2010 Cerbini
7,958,889 B1 6/2011 Fernandez-Decastro
RE43,289 E * 4/2012 Bowers A62B 18/10
128/205.24

2002/0195108 A1 12/2002 Mittelstadt
2003/0000531 A1 1/2003 Tuck
2004/0255947 A1 12/2004 Martin
2005/0061327 A1 * 3/2005 Martin A62B 18/10
128/206.15
2005/0155607 A1 7/2005 Martin
2007/0144524 A1 6/2007 Martin
2008/0026172 A1 * 1/2008 Stelter A41D 13/1146
428/36.1
2008/0026173 A1 * 1/2008 Angadjivand A41D 13/1146
428/36.1
2008/0318014 A1 * 12/2008 Angadjivand A41D 13/1146
428/219
2009/0000624 A1 * 1/2009 Lee A41D 13/1161
128/207.11
2009/0044811 A1 2/2009 Welchel
2009/0235934 A1 * 9/2009 Martin A41D 13/1138
128/206.15
2011/0139158 A1 * 6/2011 Xue A62B 18/025
128/206.15
2012/0125341 A1 * 5/2012 Gebrewold A62B 18/025
128/206.12
2012/0125342 A1 * 5/2012 Gebrewold A62B 18/025
128/206.12
2014/0190492 A1 * 7/2014 Noh A41D 13/1161
128/863
2016/0375276 A1 * 12/2016 Martin A62B 9/006
128/207.12
2017/0340031 A1 * 11/2017 Henderson A41D 13/11
2018/0272161 A1 * 9/2018 Henderson A41D 13/1161
2018/0353782 A1 * 12/2018 Vasiliev A41D 13/1115

FOREIGN PATENT DOCUMENTS

CN 204519423 8/2015
CN 205055246 3/2016
DE 4029939 3/1992
EP 1647310 8/2007
FR 2767482 2/1999
KR 100912233 8/2009
RU 154233 8/2015
WO WO 2004/112906 12/2004
WO WO 2011/026515 3/2011
WO WO 2015/1833177 12/2015

* cited by examiner

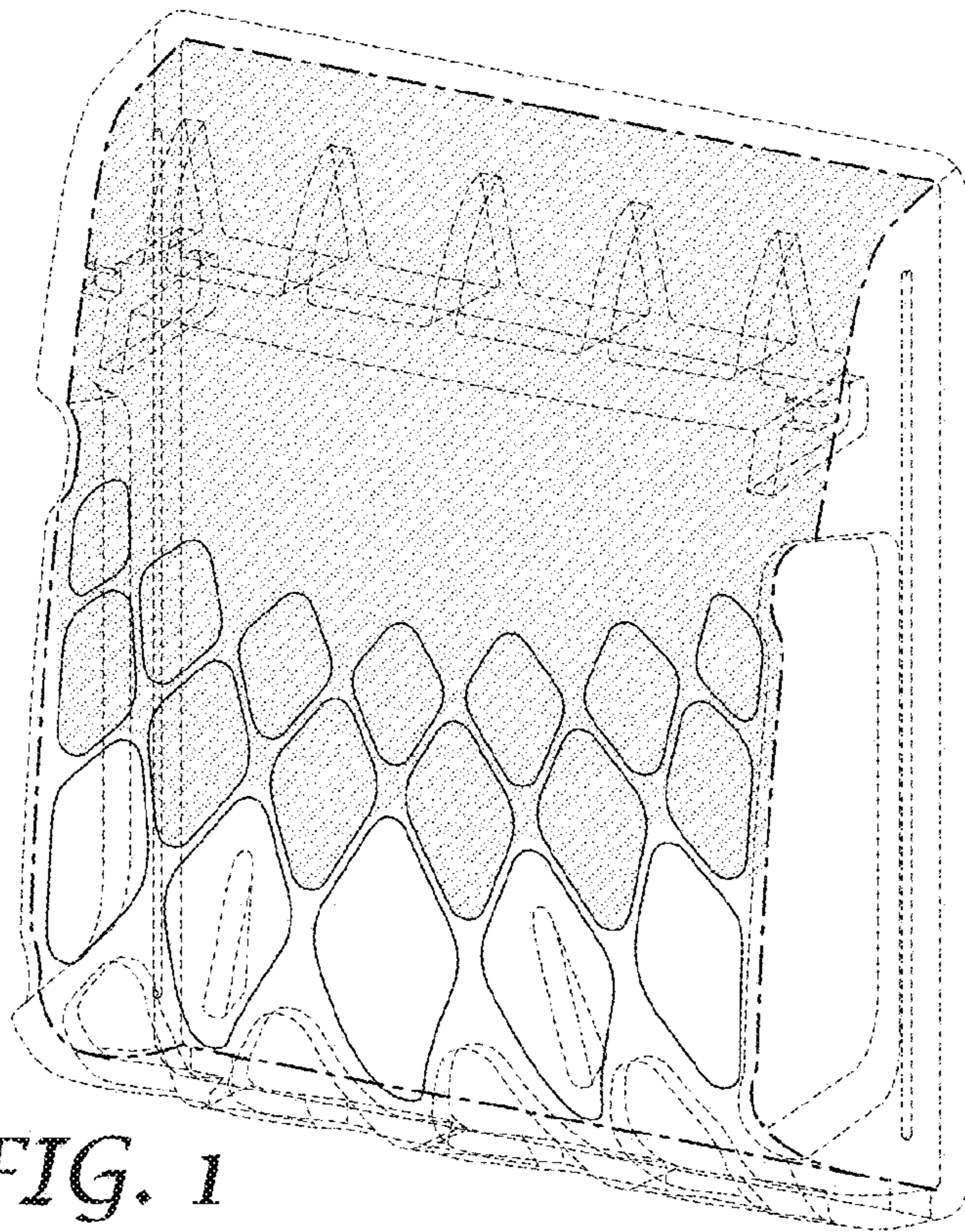


FIG. 1

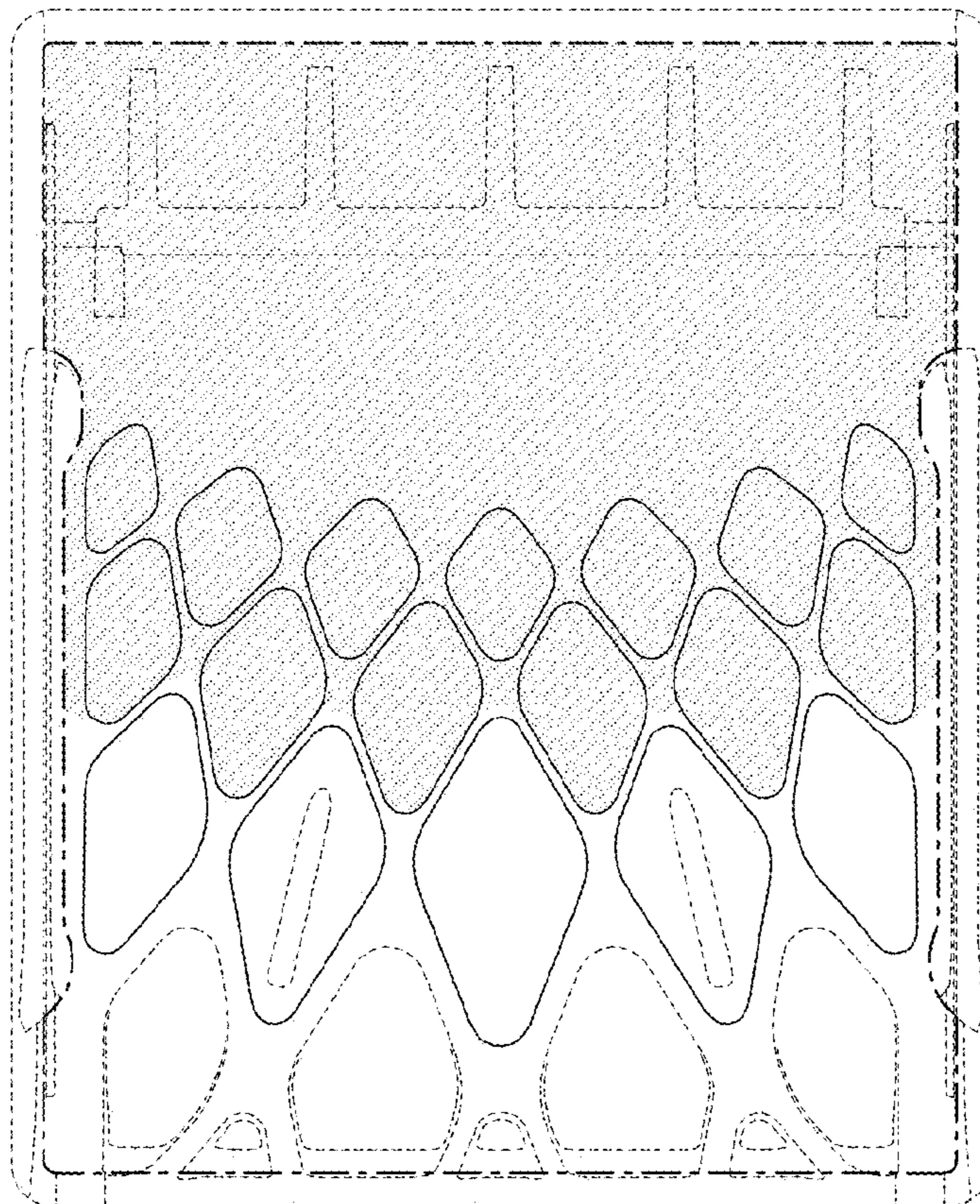


FIG. 2

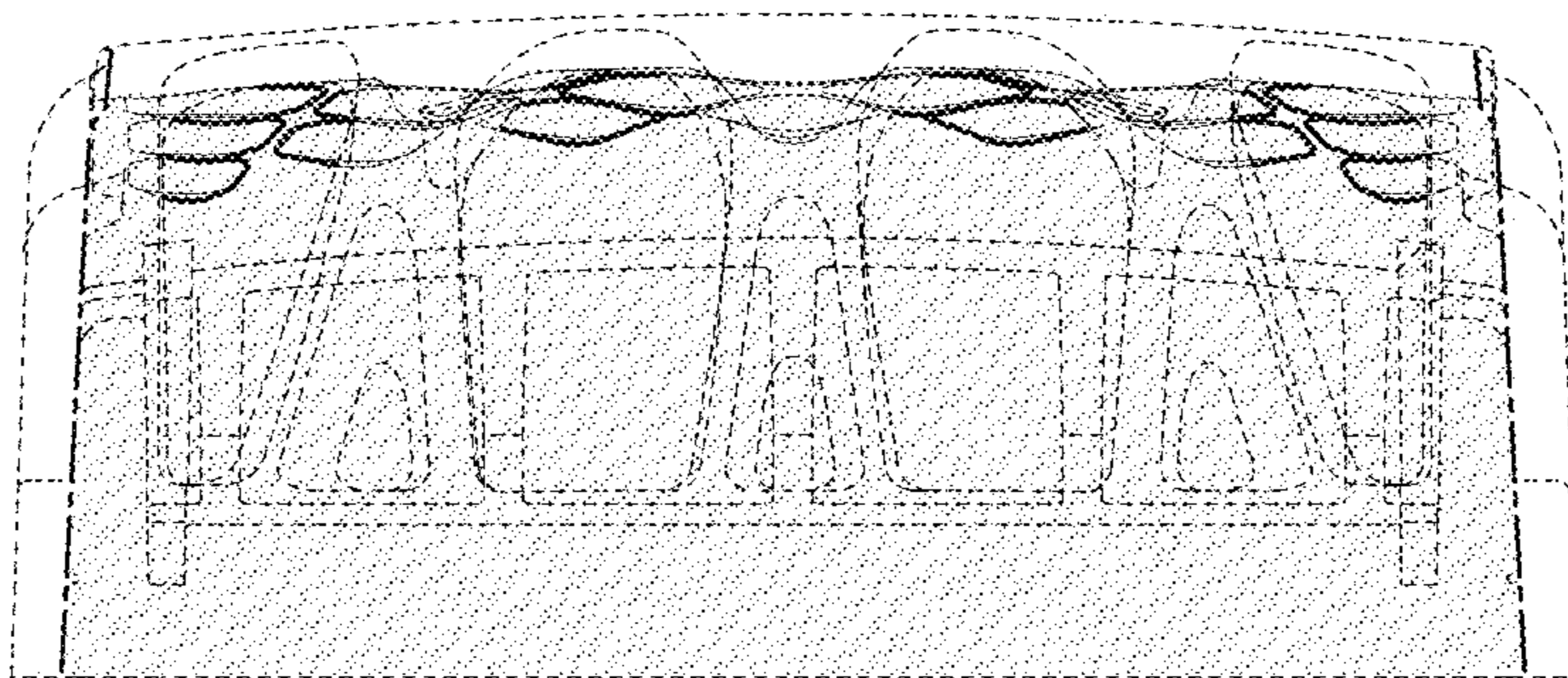


FIG. 3

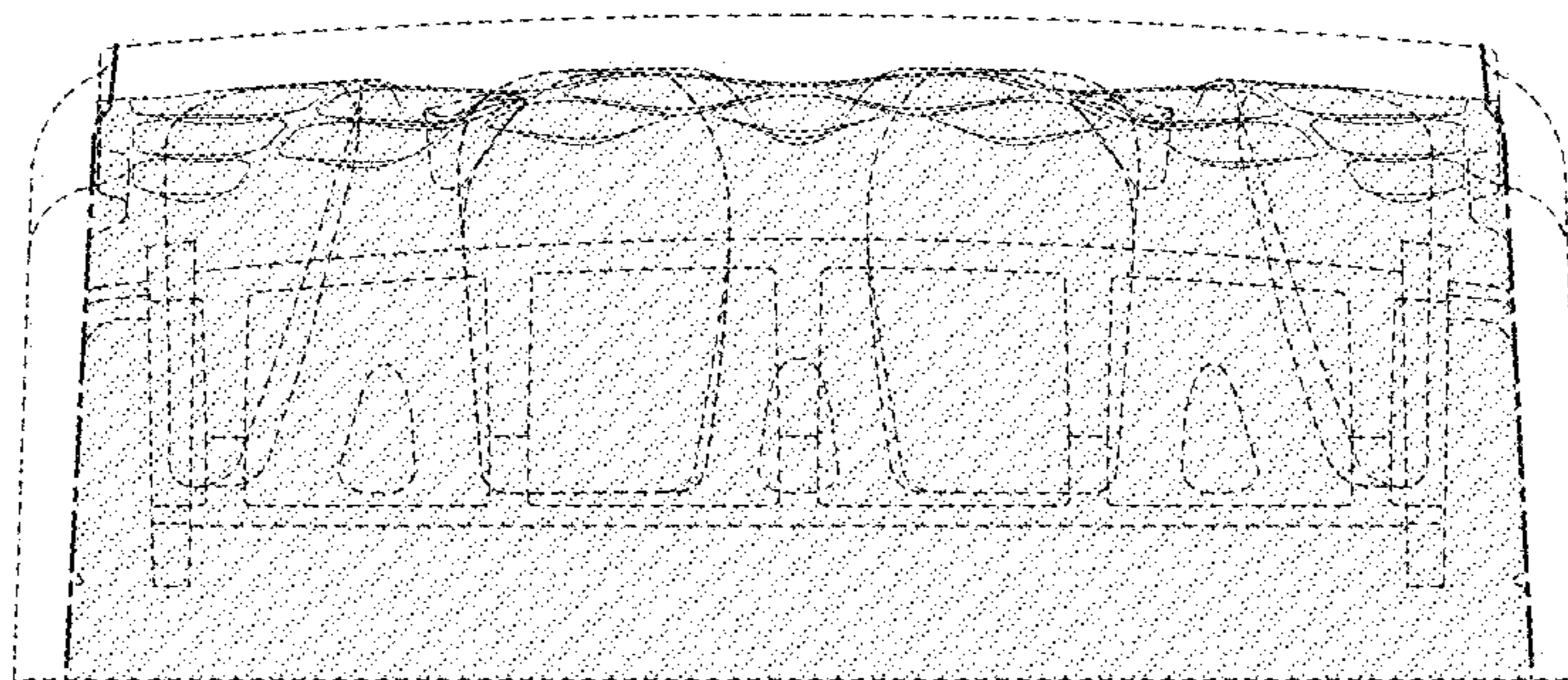


FIG. 4

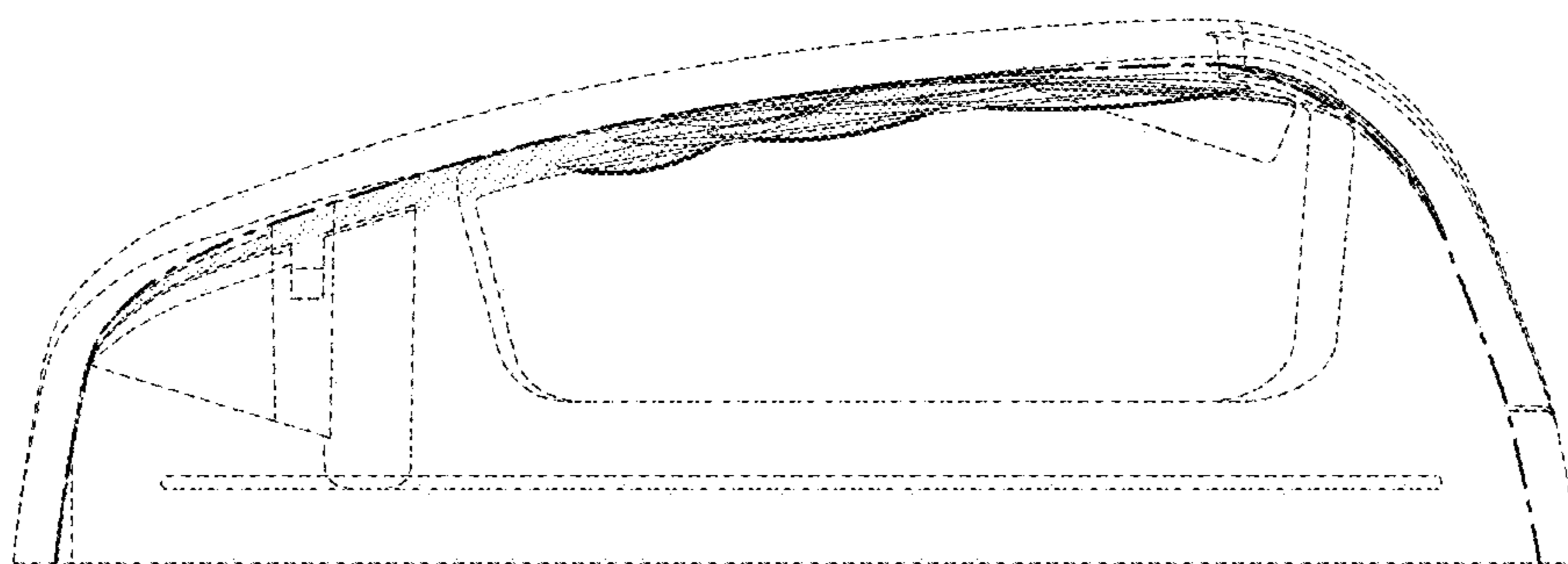


FIG. 5

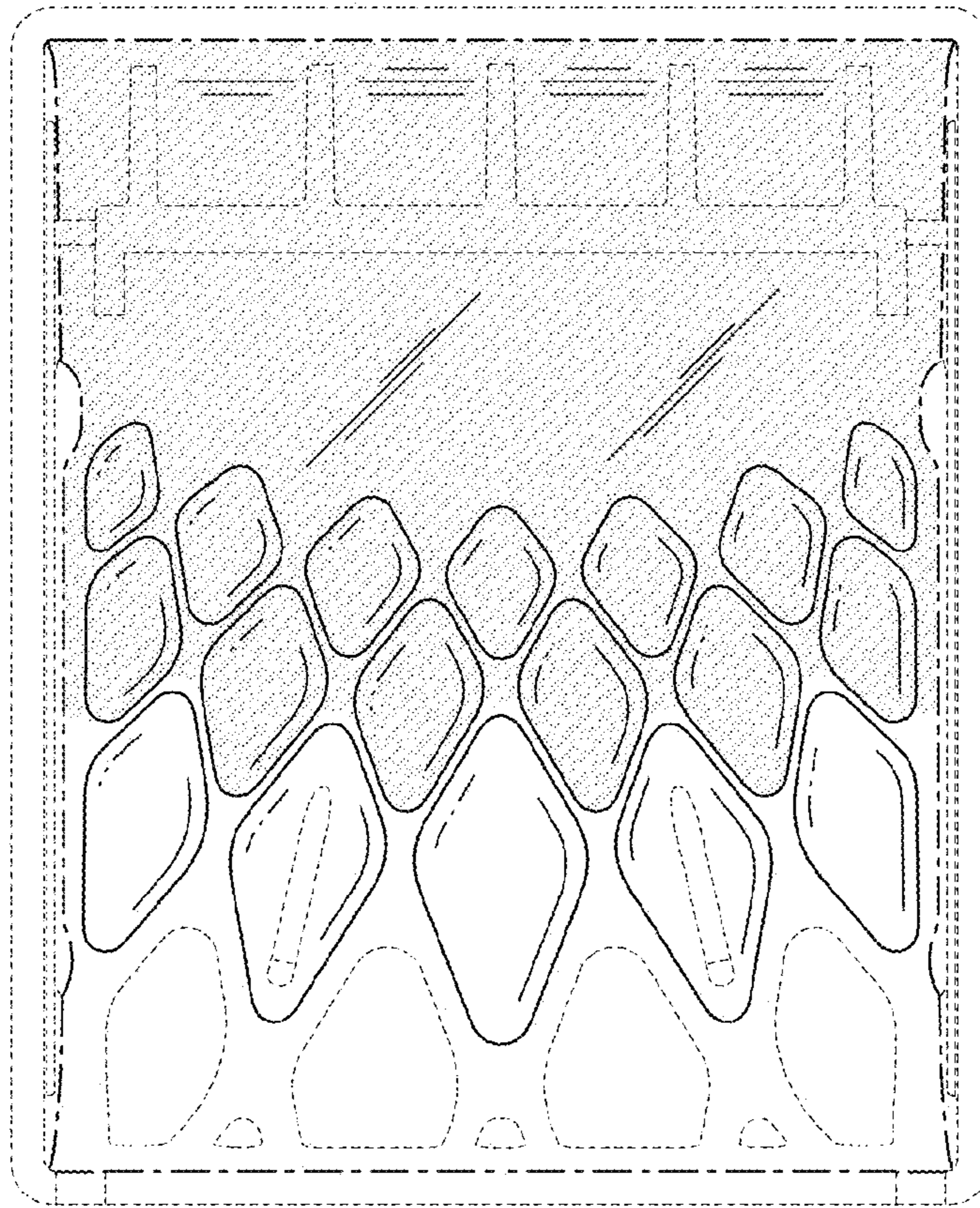


FIG. 6

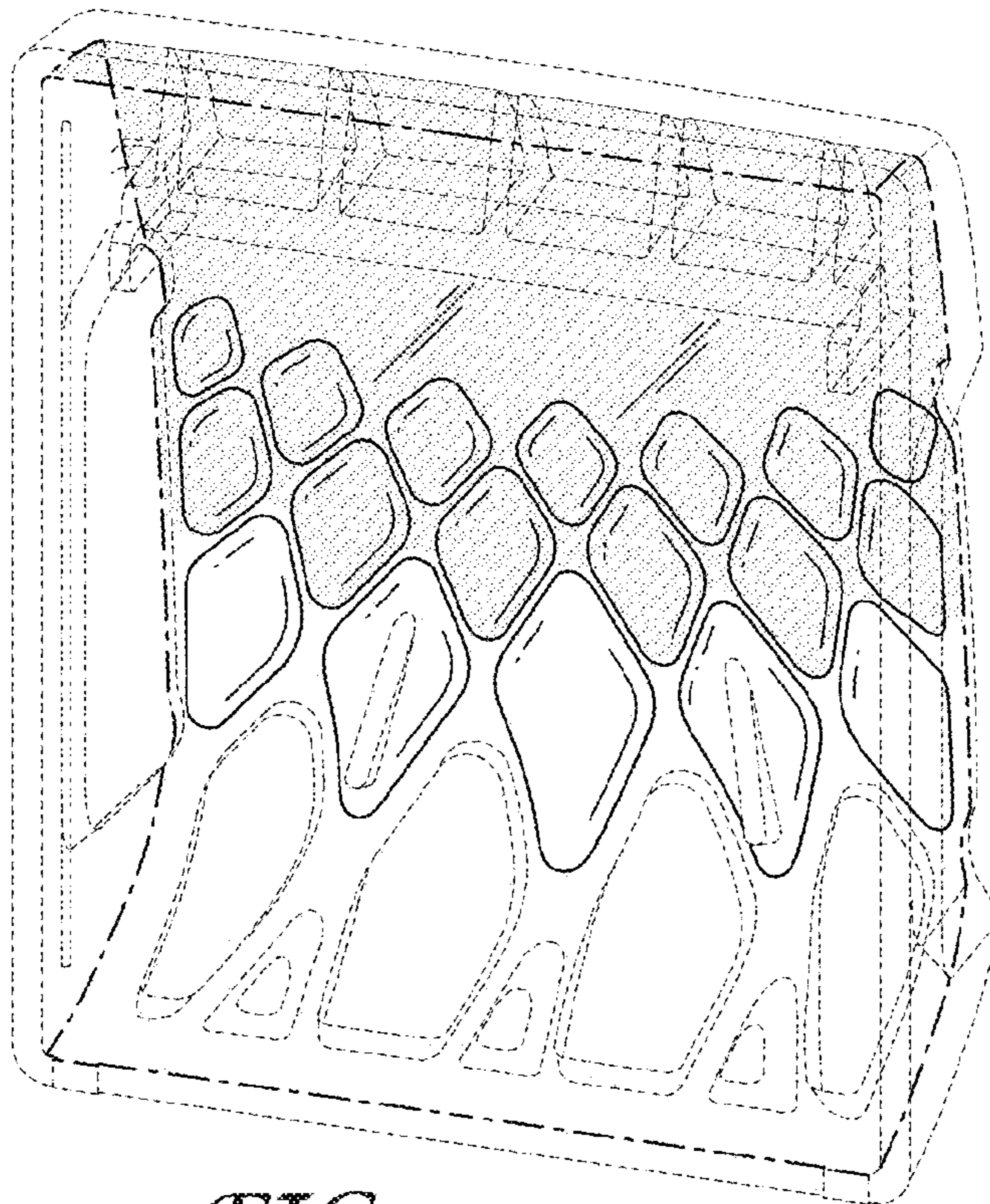


FIG. 7

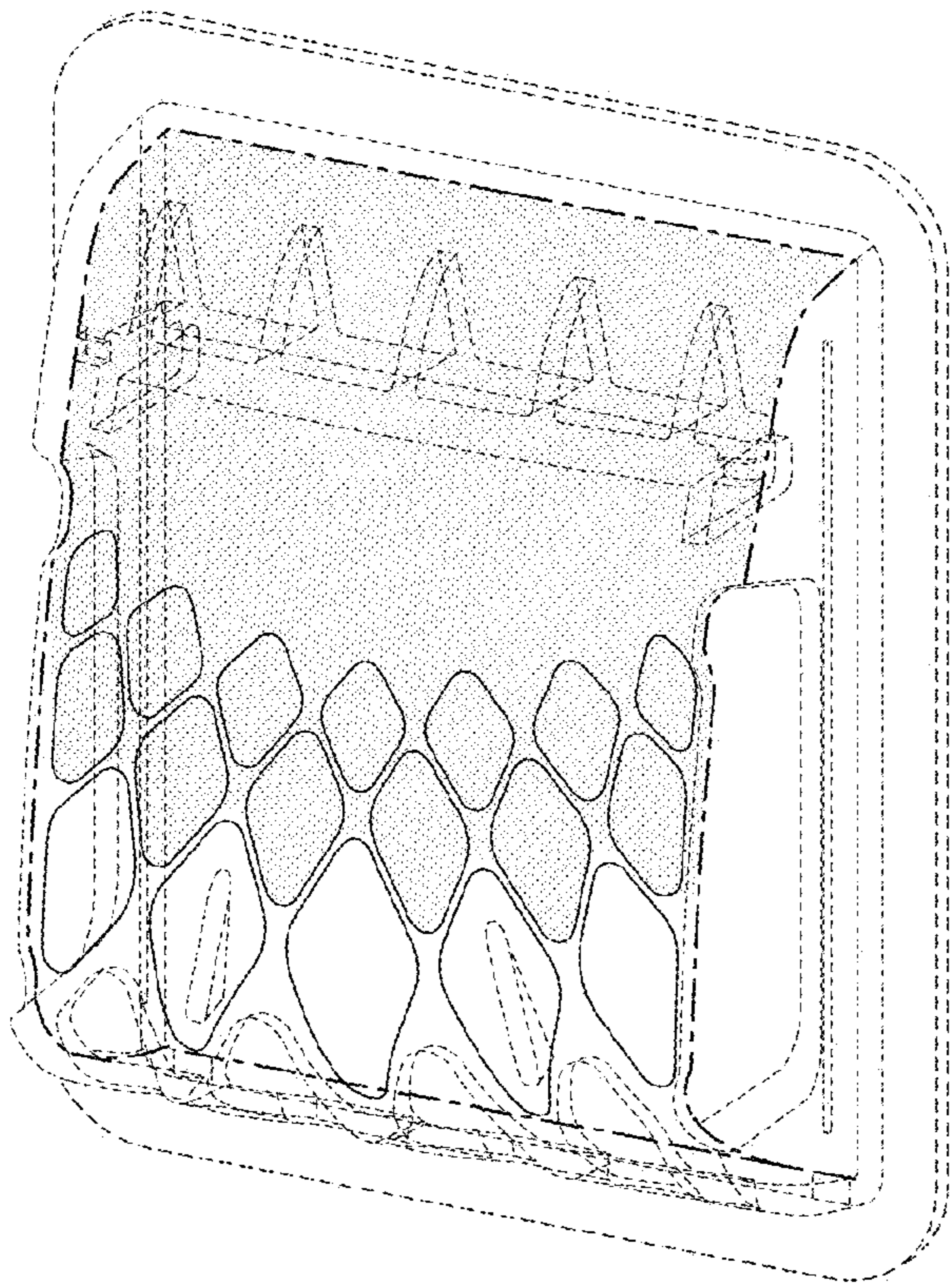


FIG. 8

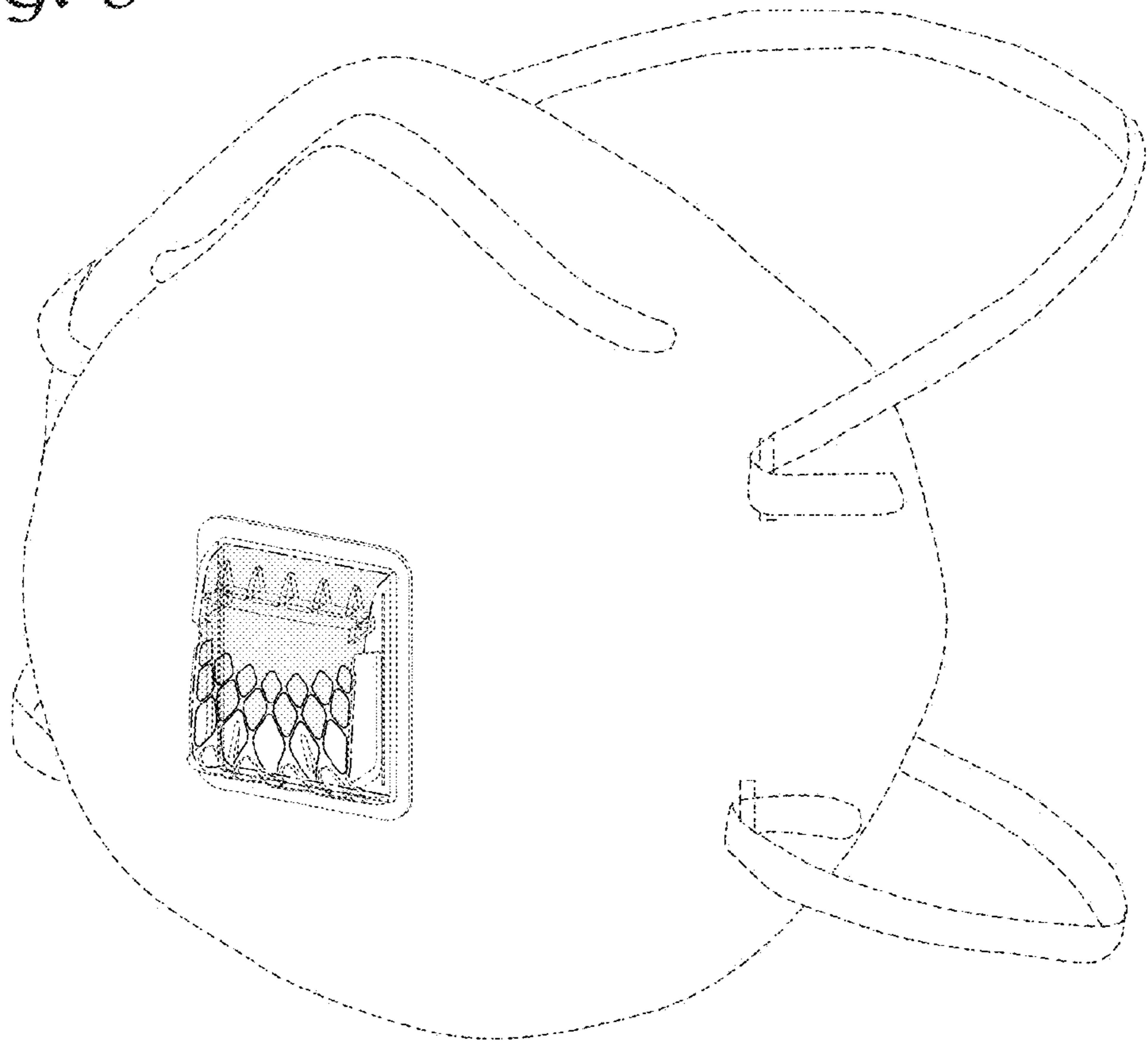


FIG. 9