



US00D900304S

(12) **United States Design Patent** (10) **Patent No.:** **US D900,304 S**  
**Xia** (45) **Date of Patent:** **\*\* Oct. 27, 2020**

(54) **PORTABLE MESH NEBULIZER**

(71) Applicant: **SHENZHEN IMDK MEDICAL TECHNOLOGY CO., LTD.**, Shenzhen (CN)

(72) Inventor: **Changchun Xia**, Wenzhou (CN)

(73) Assignee: **SHENZHEN IMDK MEDICAL TECHNOLOGY CO., LTD.**, Shenzhen (CN)

(\*\*) Term: **15 Years**

(21) Appl. No.: **29/678,472**

(22) Filed: **Jan. 29, 2019**

(51) **LOC (12) Cl.** ..... **29-02**

(52) **U.S. Cl.**  
USPC ..... **D24/110**

(58) **Field of Classification Search**  
USPC ..... D24/107, 108, 110, 110.1–110.5, 127, D24/164; D29/108  
CPC ..... A61M 15/0085; A61M 15/0005; A61M 11/005; A61M 11/00; A61M 11/02; A61M 11/04; A61M 5/087; A61M 5/0871; A61M 5/091; A61M 5/097; A61M 15/00; A61M 15/0065; A61M 15/0091; A61M 15/0021; A61M 15/0026; A61M 15/008; A61M 15/007; A63B 23/18

See application file for complete search history.

D576,874 S \* 9/2008 Miller ..... D9/448  
D587,576 S \* 3/2009 Miller ..... D9/448  
D638,117 S \* 5/2011 Eckstein ..... D24/110  
D666,094 S \* 8/2012 Cho ..... D9/448  
D717,424 S \* 11/2014 Steelman ..... D24/110  
D757,926 S \* 5/2016 Van Sickle ..... D24/110  
D773,034 S \* 11/2016 Allnutt ..... D24/110  
D773,035 S \* 11/2016 Neuner ..... D24/110

\* cited by examiner

*Primary Examiner* — Sheryl Lane

*Assistant Examiner* — Aula Soroush

(74) *Attorney, Agent, or Firm* — Juan Carlos A. Marquez; Marquez IP Law Office, PLLC

(57) **CLAIM**

The ornamental design for a portable mesh nebulizer, as shown and described.

**DESCRIPTION**

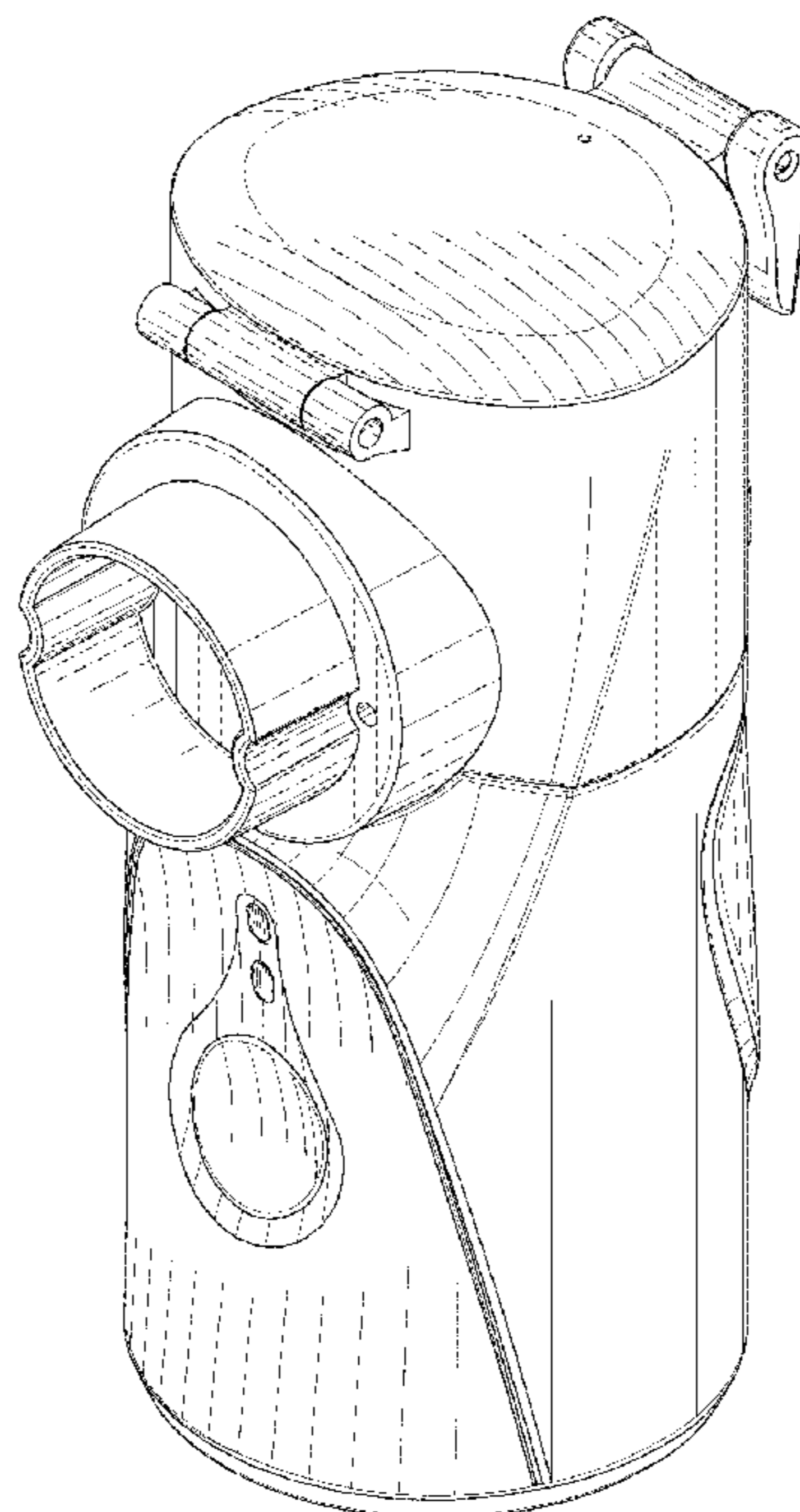
FIG. 1 is a perspective view of a portable mesh nebulizer, showing the new design;  
FIG. 2 is a front view thereof;  
FIG. 3 is a rear view thereof;  
FIG. 4 is a left-side view thereof;  
FIG. 5 is a right-side view thereof;  
FIG. 6 is a top view thereof; and,  
FIG. 7 is a bottom view thereof.

The broken lines shown in the drawings depict portions of the nebulizer that form no part of the claimed design.

(56) **References Cited**  
U.S. PATENT DOCUMENTS

D471,106 S \* 3/2003 Pannozzo ..... D9/448  
D478,285 S \* 8/2003 Pannozzo ..... D9/448

**1 Claim, 6 Drawing Sheets**



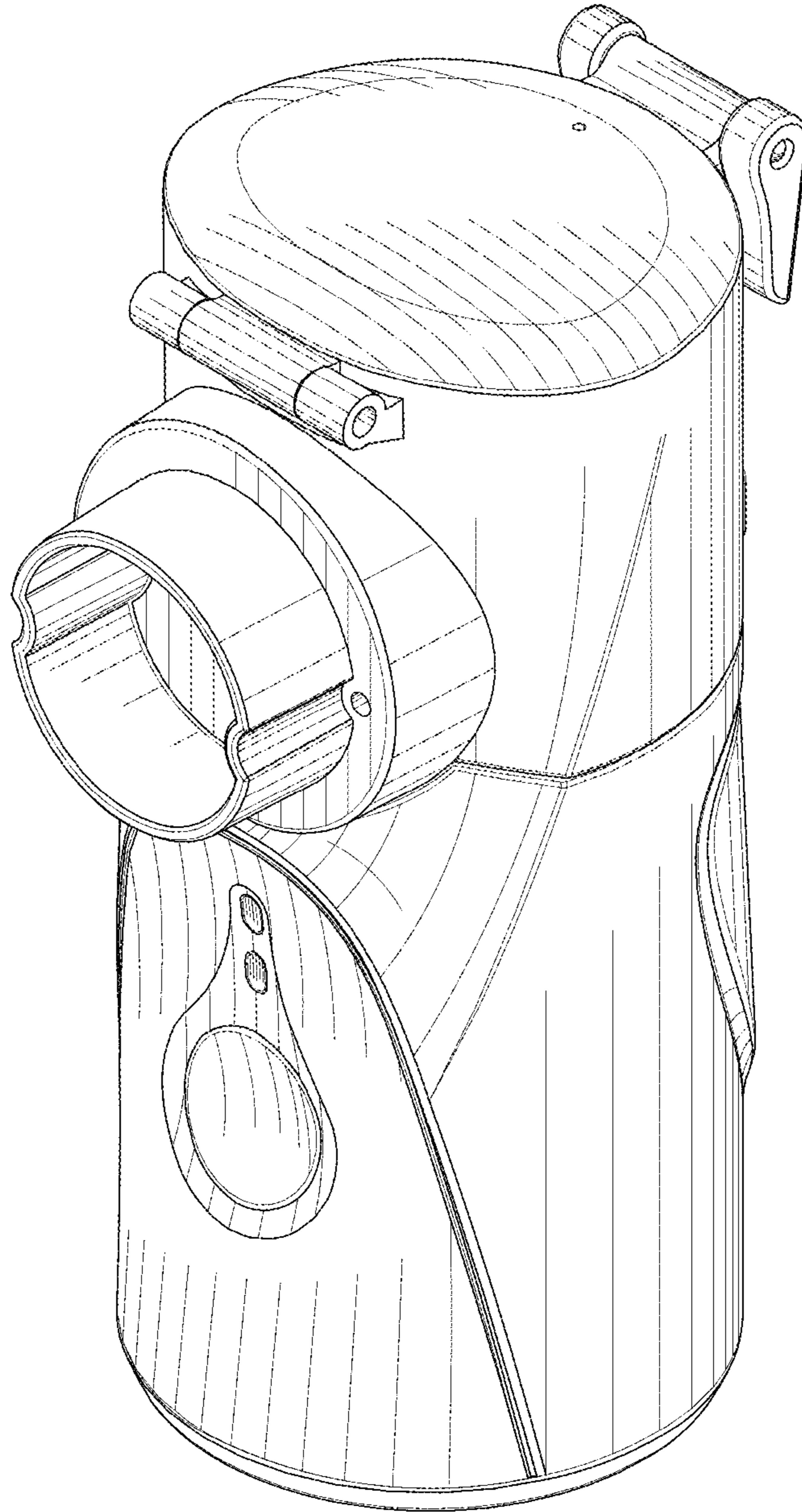


FIG. 1

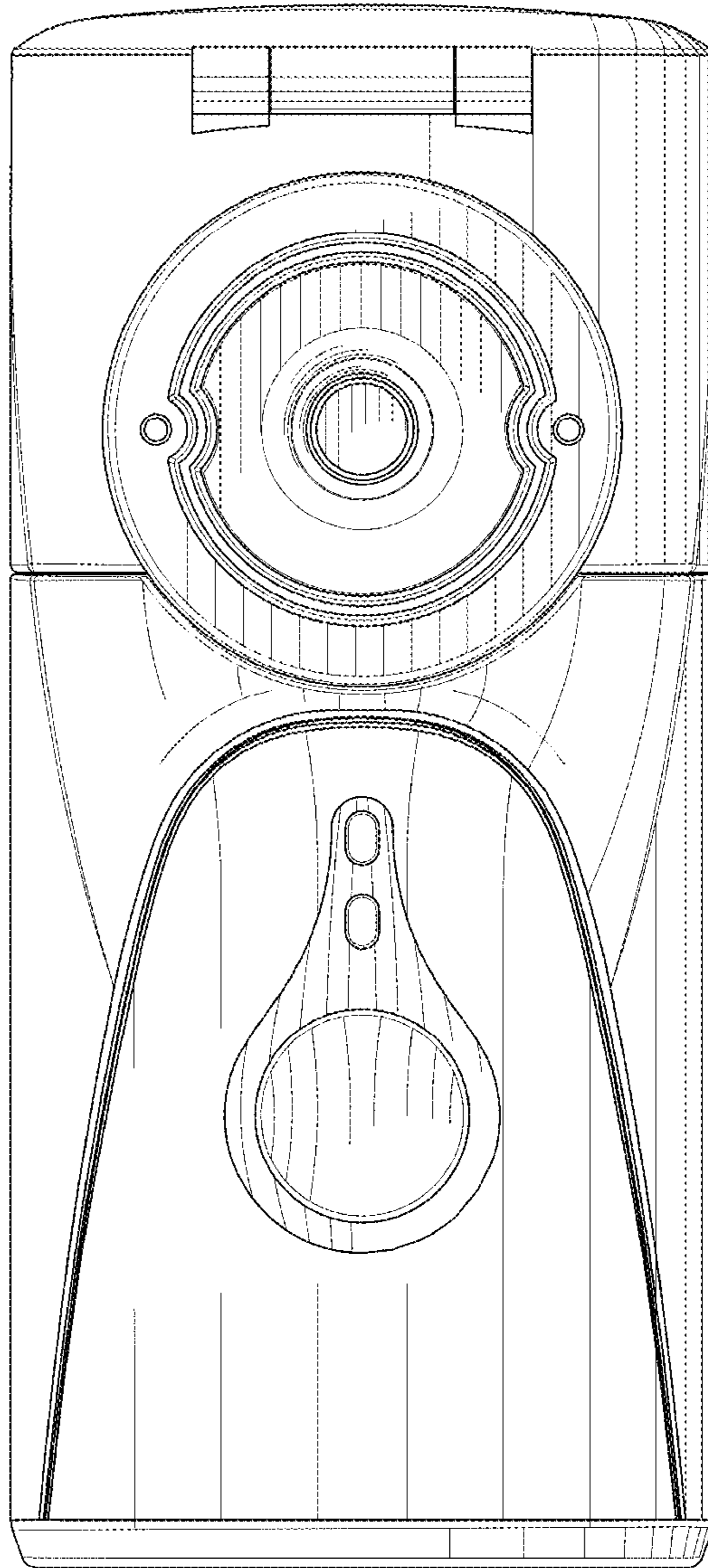


FIG. 2

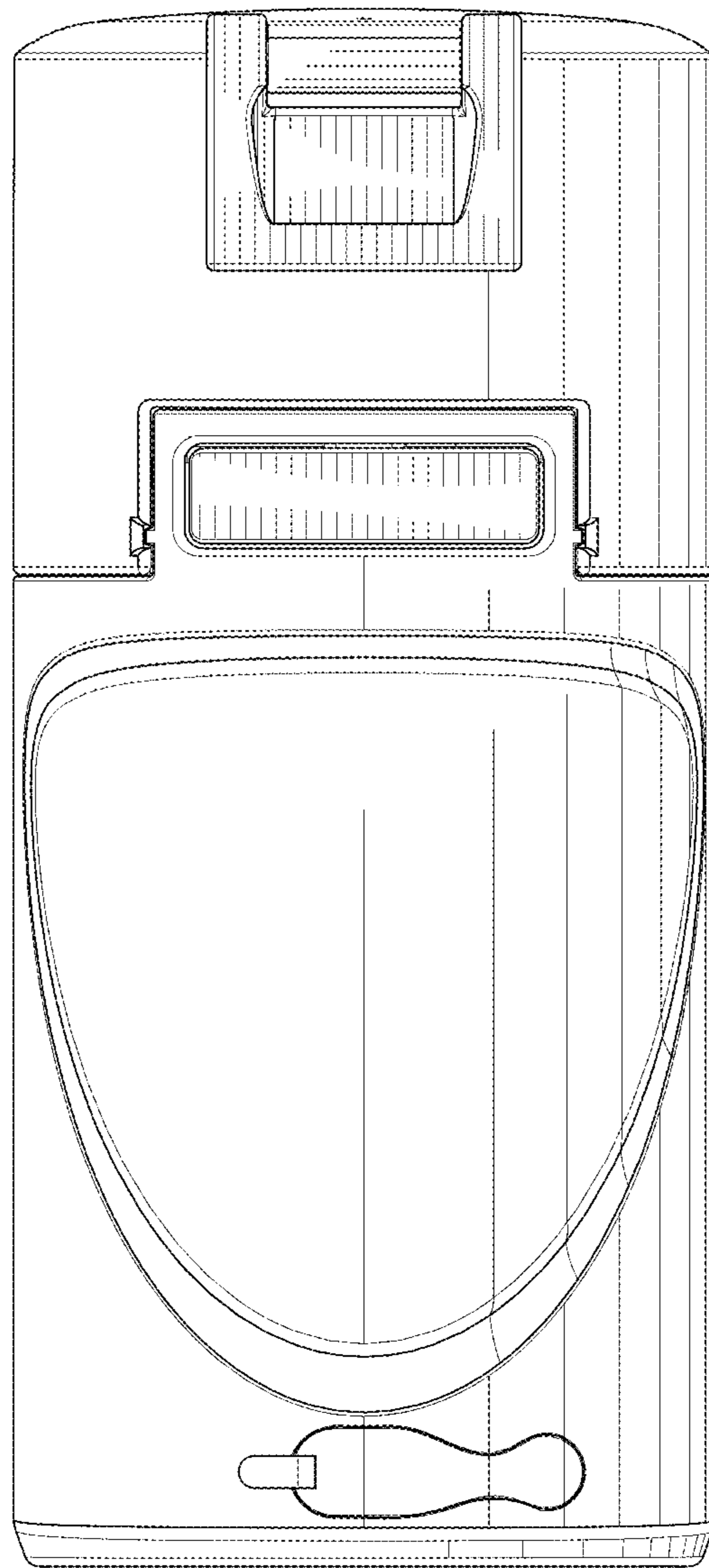


FIG. 3

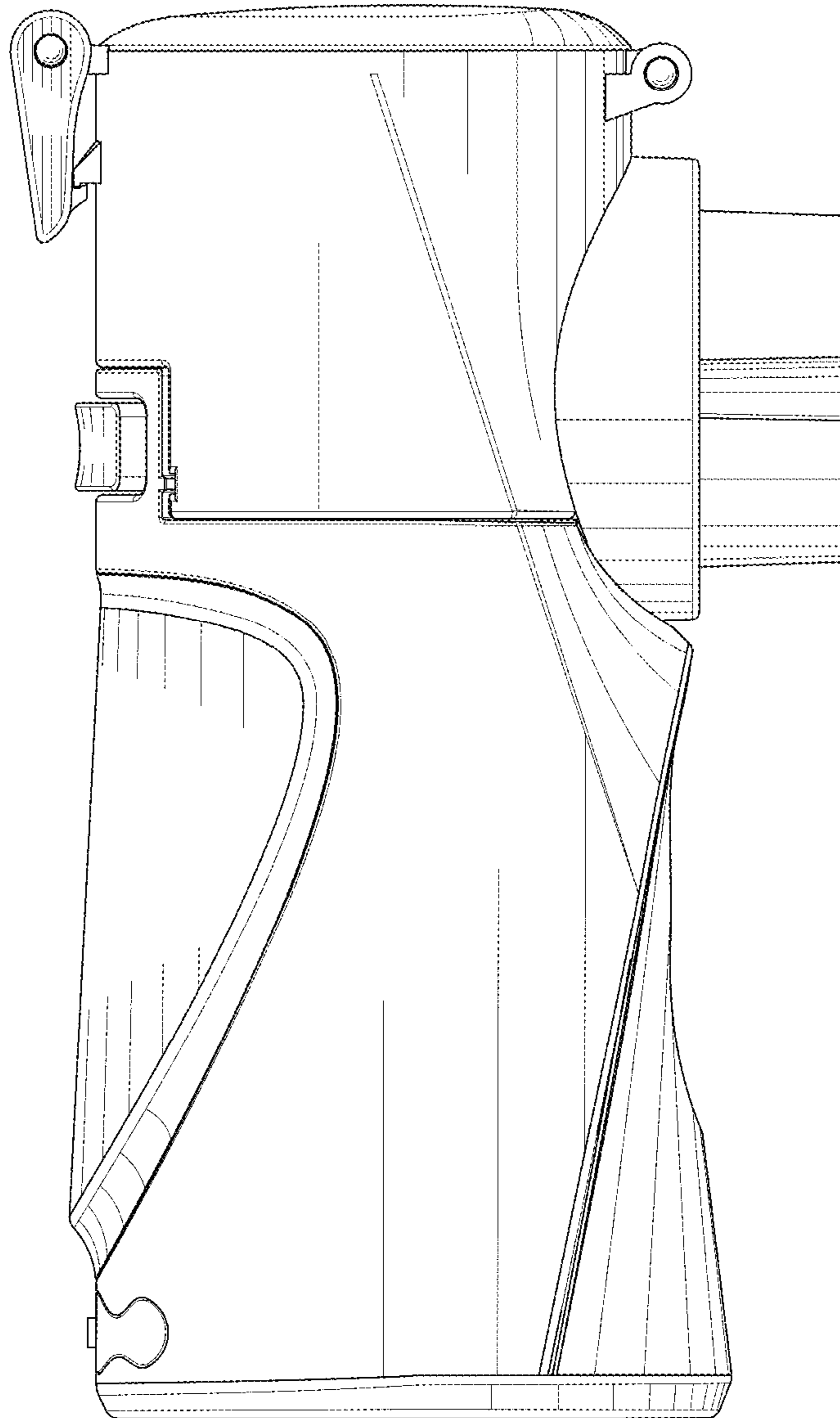


FIG. 4

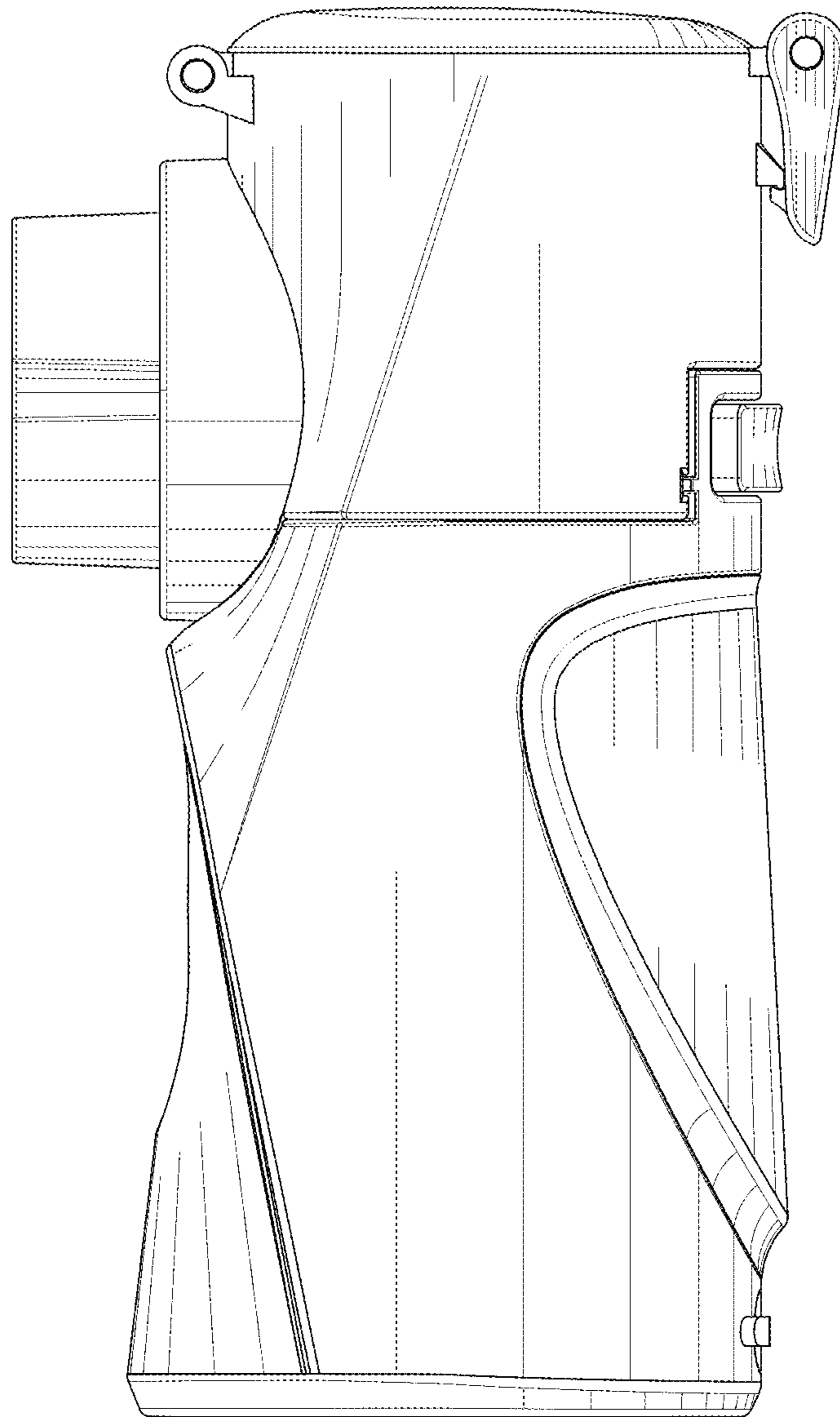


FIG. 5

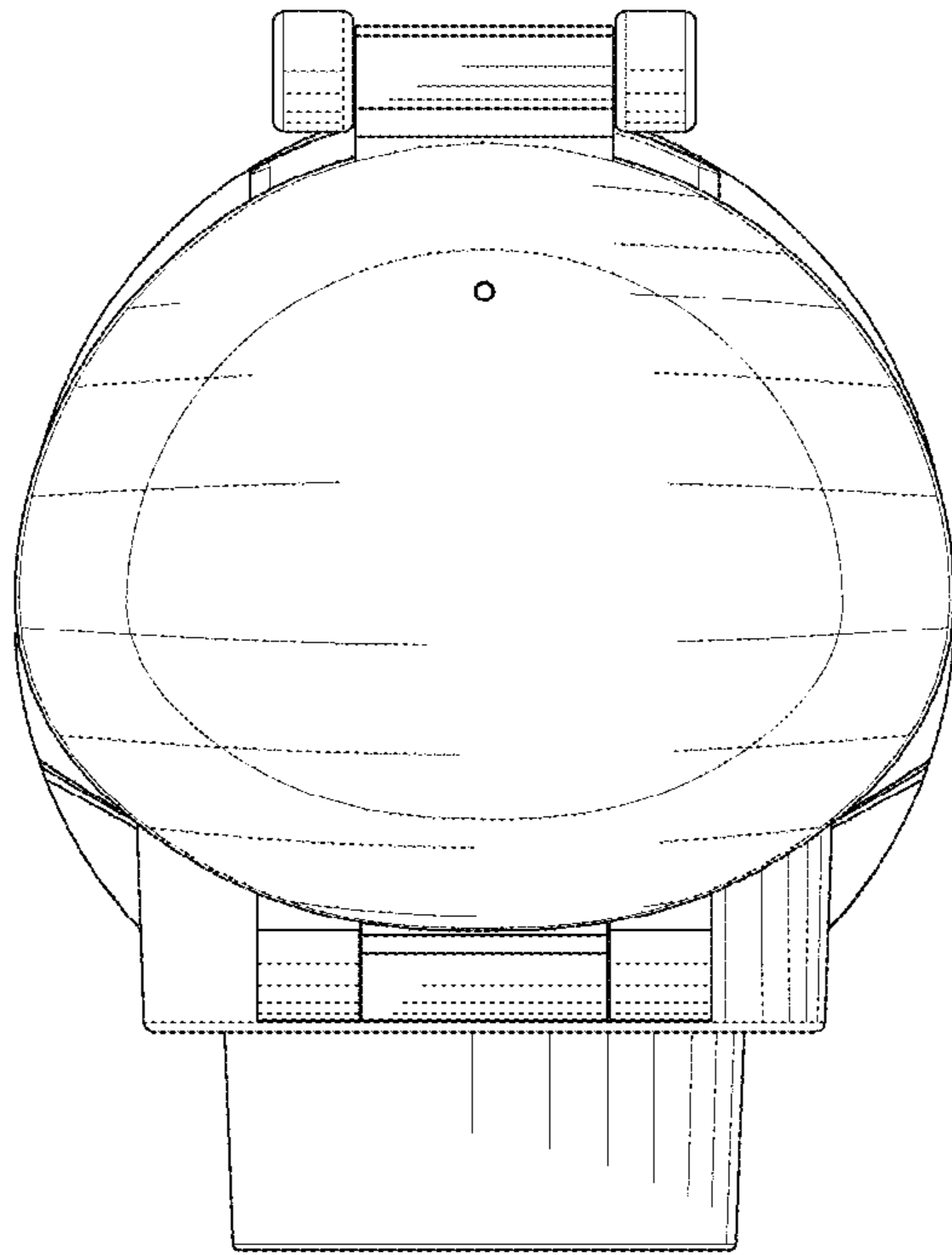


FIG. 6

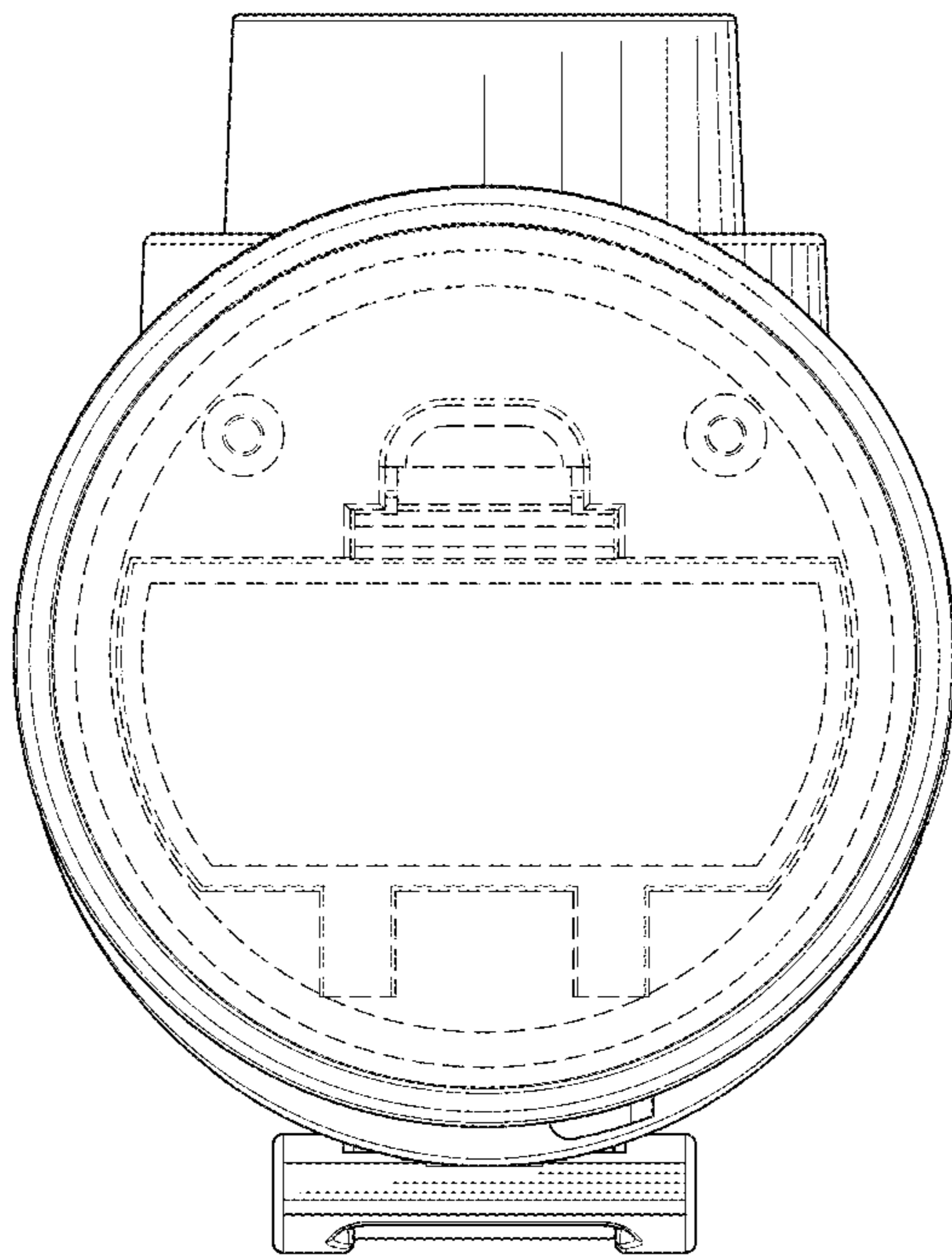


FIG. 7