



US00D900302S

(12) **United States Design Patent**
Ancerewicz

(10) **Patent No.:** **US D900,302 S**

(45) **Date of Patent:** **** Oct. 27, 2020**

- (54) **EAR IRRIGATION SPRAY TIP**
- (71) Applicant: **Sigmund Ancerewicz**, Naples, FL (US)
- (72) Inventor: **Sigmund Ancerewicz**, Naples, FL (US)
- (73) Assignee: **Sigmund Ancerewicz**, Naples, FL (US)
- (**) Term: **15 Years**

D485,616 S *	1/2004	Baillargeon	D24/129
D665,497 S *	8/2012	Marshall	D24/130
D736,906 S *	8/2015	Schultz	D24/108
D747,457 S *	1/2016	Glance	D24/108
D791,938 S *	7/2017	Becker	D24/129
D792,584 S *	7/2017	Ingram	D24/127
D873,997 S *	1/2020	Ljunglof	D24/130
D881,386 S *	4/2020	Tiedeken	D24/127
D884,886 S *	5/2020	Kangastupa	D24/129

* cited by examiner

- (21) Appl. No.: **29/717,615**
- (22) Filed: **Dec. 18, 2019**
- (51) **LOC (12) Cl.** **24-01**
- (52) **U.S. Cl.**
USPC **D24/108**
- (58) **Field of Classification Search**
USPC D24/108, 110, 110.5, 111, 113, 137, 151,
D24/127, 129
CPC A61M 2210/0618; A61M 1/0058; A61M
1/0062; A61M 2205/82; A61M 1/0003;
A61M 2205/8206; A61M 2210/0662;
A61M 3/0262; A61M 3/0283; A61F
2007/0005; A61B 2017/246
See application file for complete search history.

Primary Examiner — Nathan M Johnston
(74) *Attorney, Agent, or Firm* — Shumaker, Loop & Kendrick, LLP

(57) **CLAIM**

The ornamental design for an ear irrigation spray tip, as shown and described.

DESCRIPTION

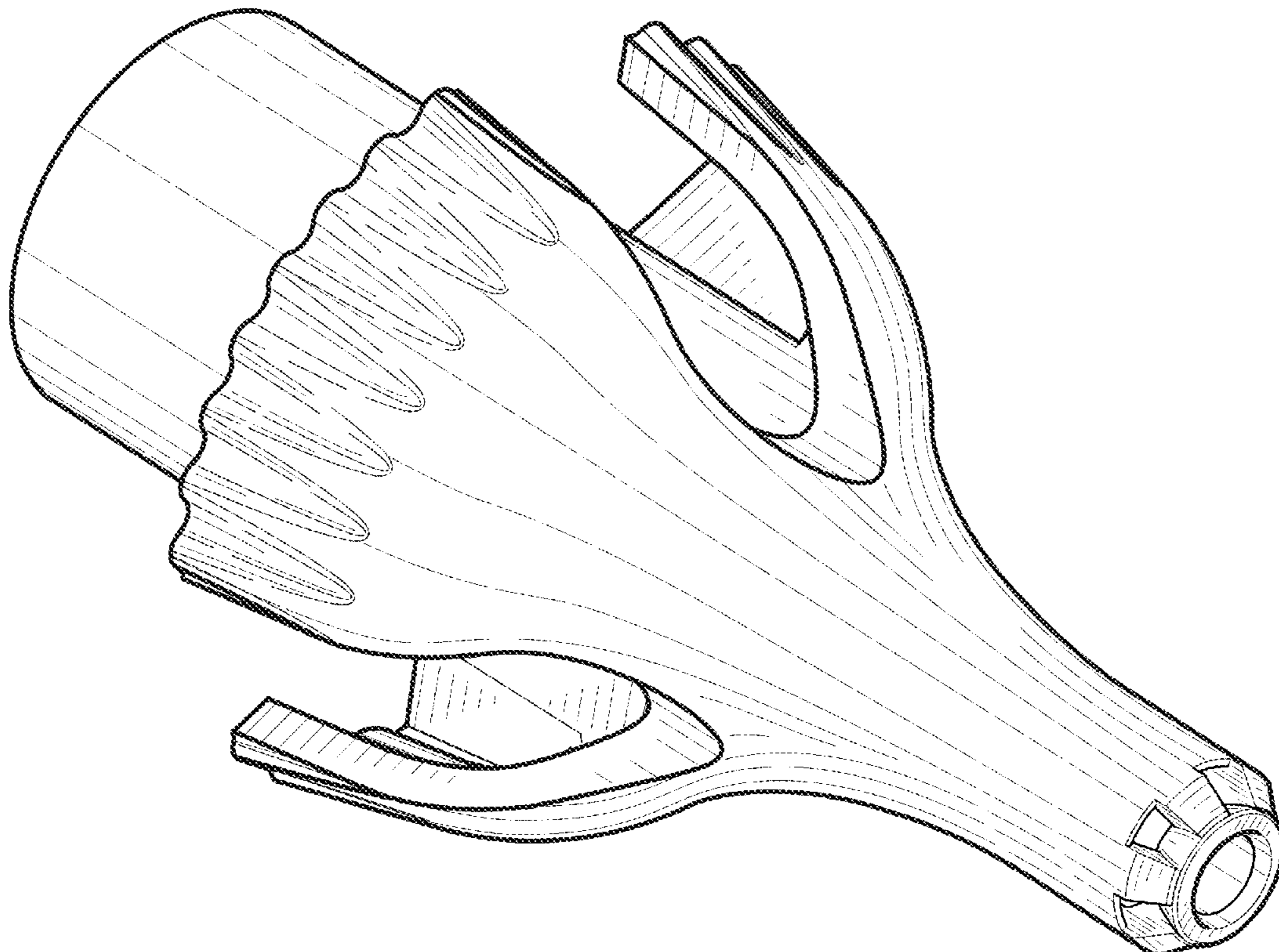
FIG. 1 is a first perspective view of the new design for an ear irrigation spray tip;
FIG. 2 a second perspective view thereof;
FIG. 3 is a first side view thereof;
FIG. 4 is a second side view thereof;
FIG. 5 is a third side view thereof;
FIG. 6 is a fourth side view thereof;
FIG. 7 is a top view thereof;
FIG. 8 is a bottom view thereof; and,
FIG. 9 is a cross-sectional view along lines 8-8 of FIG. 7 of the ear irrigation spray tip.

(56) **References Cited**

U.S. PATENT DOCUMENTS

D270,283 S *	8/1983	Goodnow	D24/110
D299,865 S *	2/1989	Kamstrup-Larsen	D24/130
D406,339 S *	3/1999	Stacks	D24/137
D416,086 S *	11/1999	Parris	D24/112

1 Claim, 9 Drawing Sheets



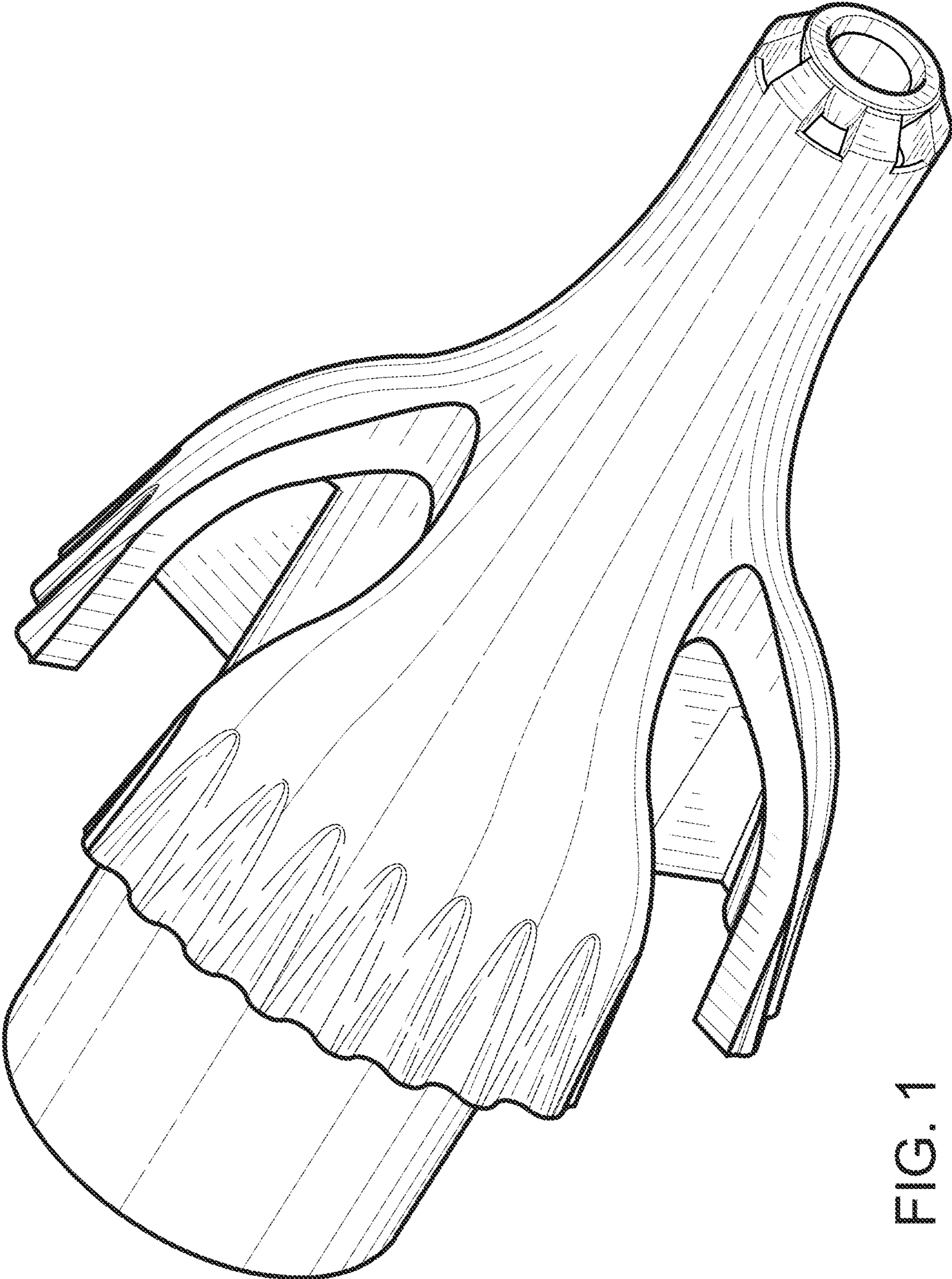


FIG. 1

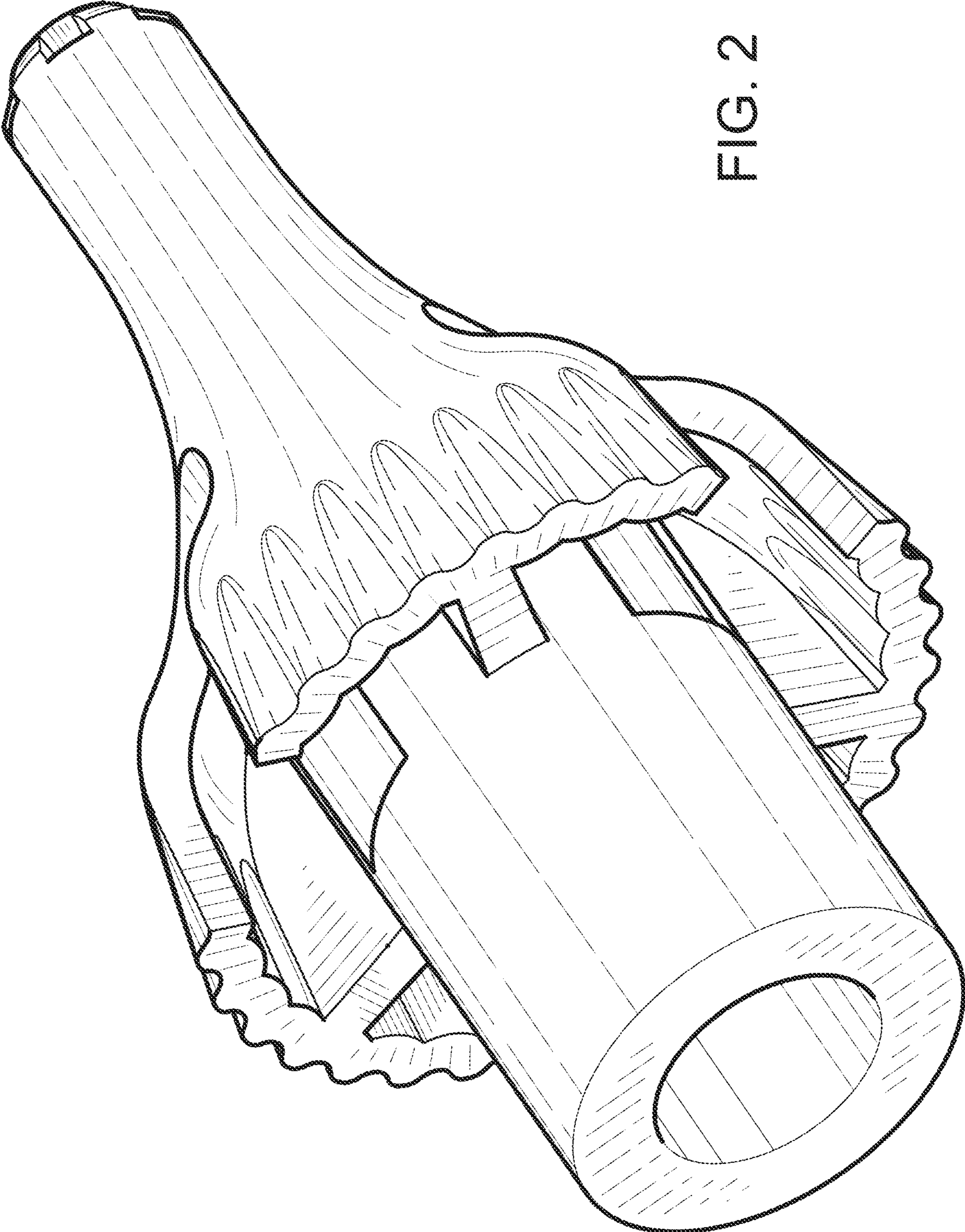


FIG. 2

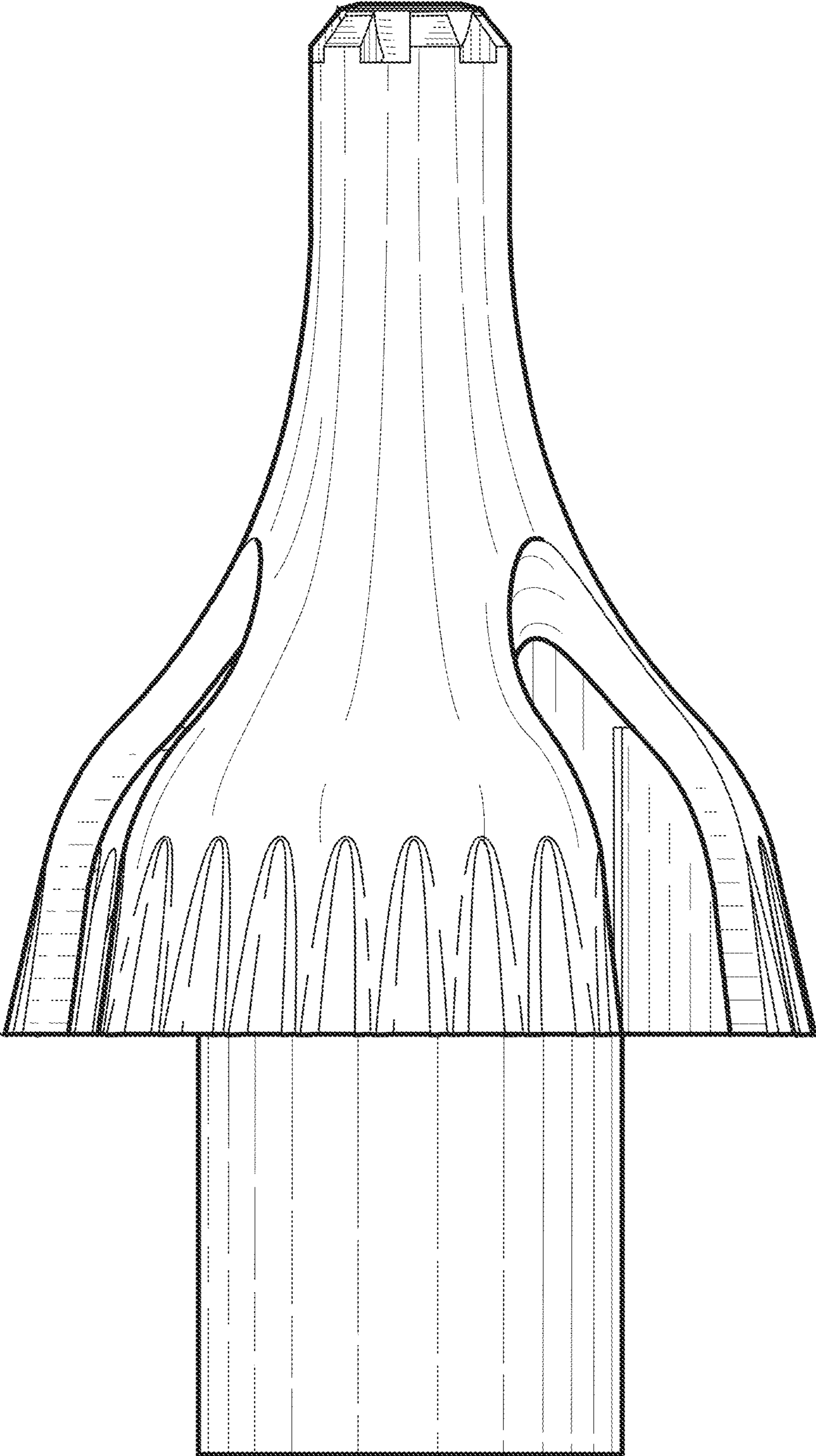


FIG. 3

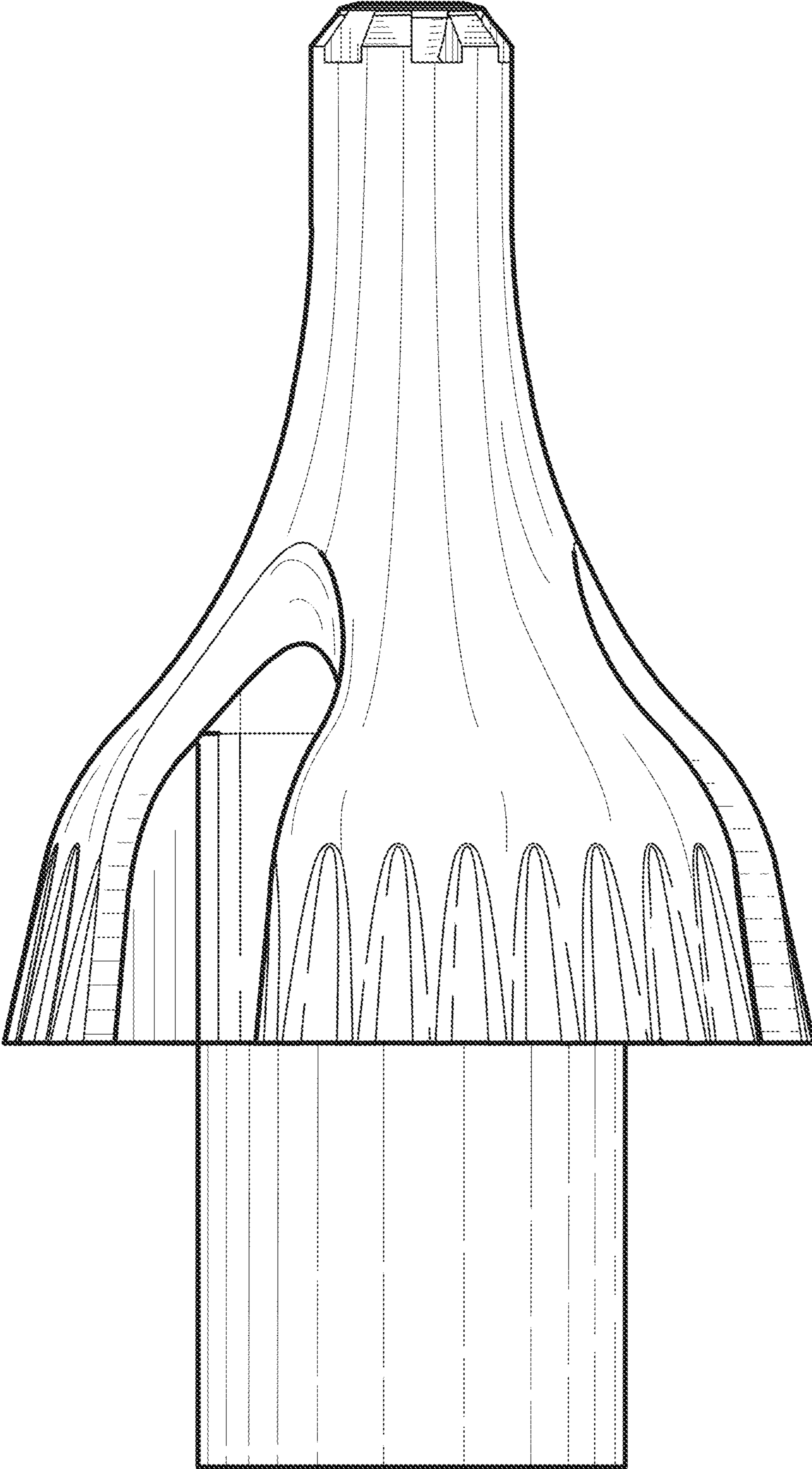


FIG. 4

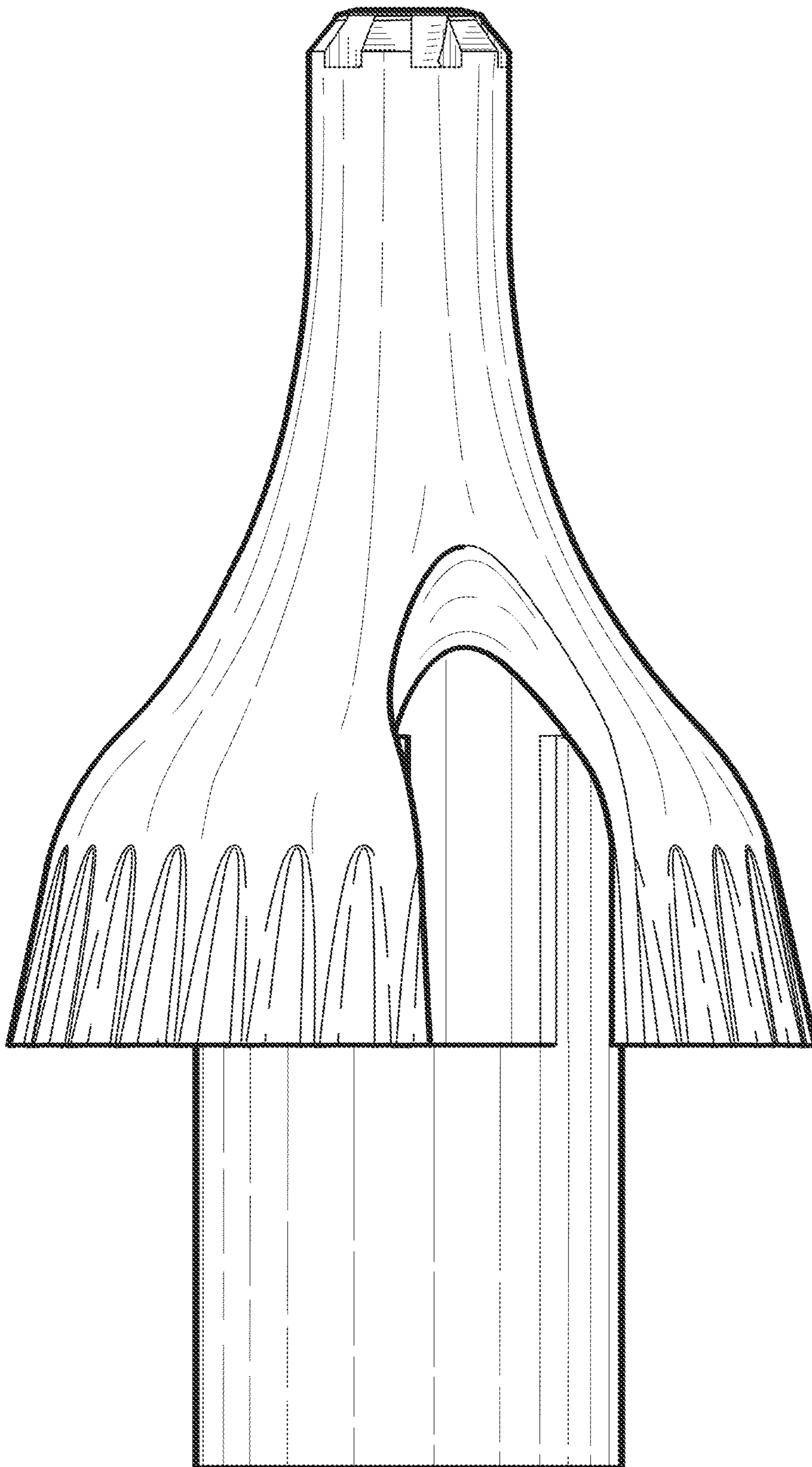


FIG. 5

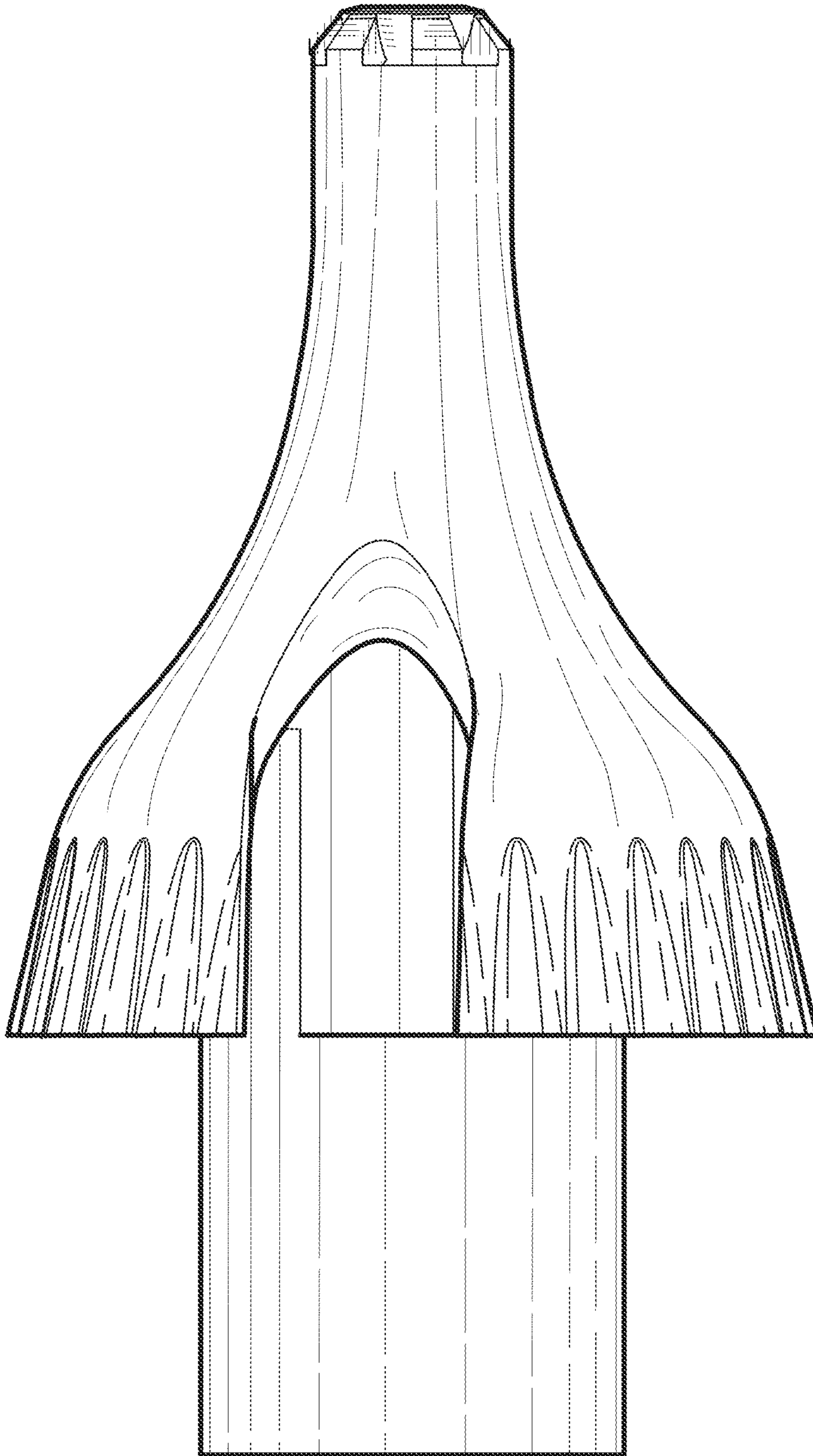


FIG. 6

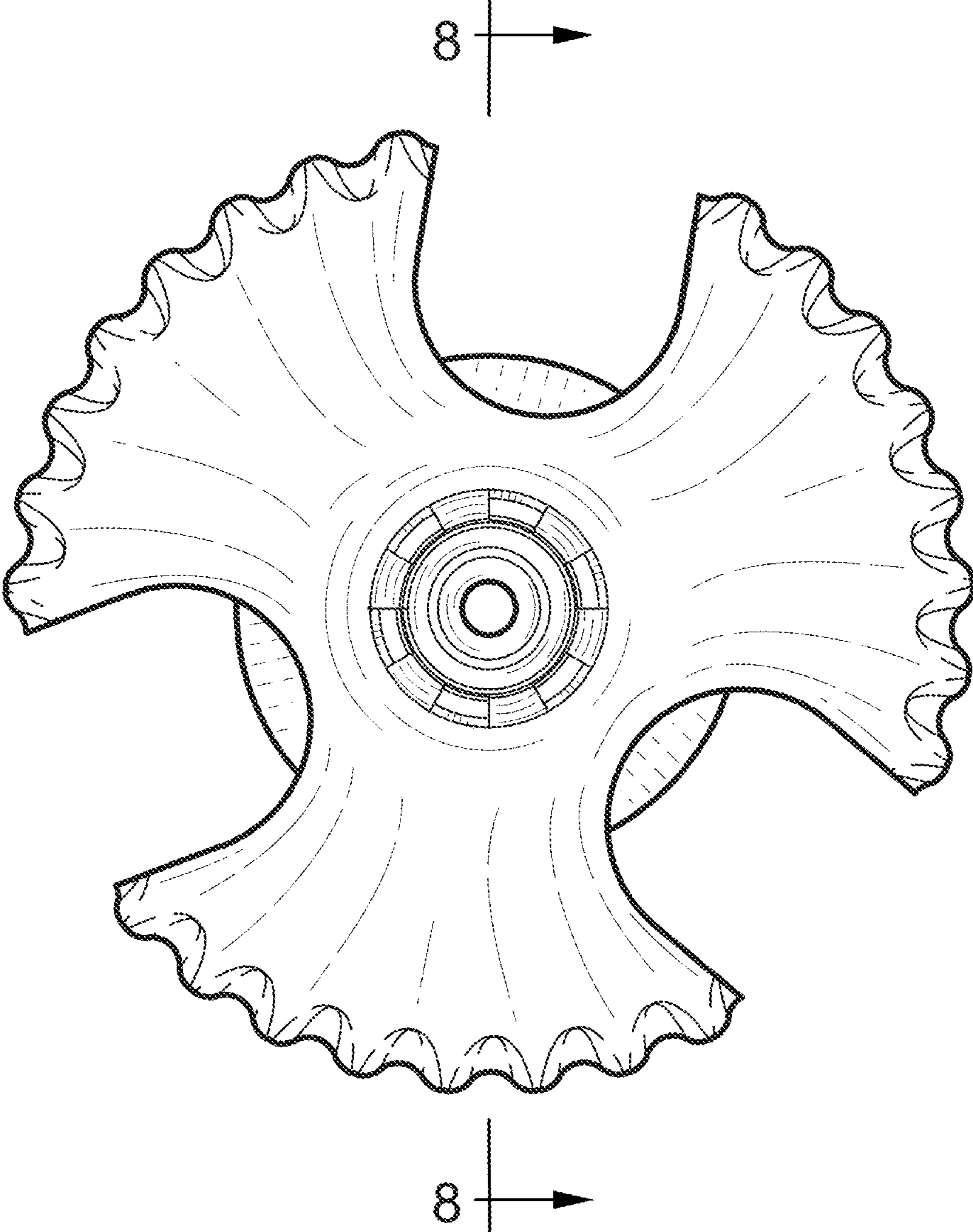


FIG. 7

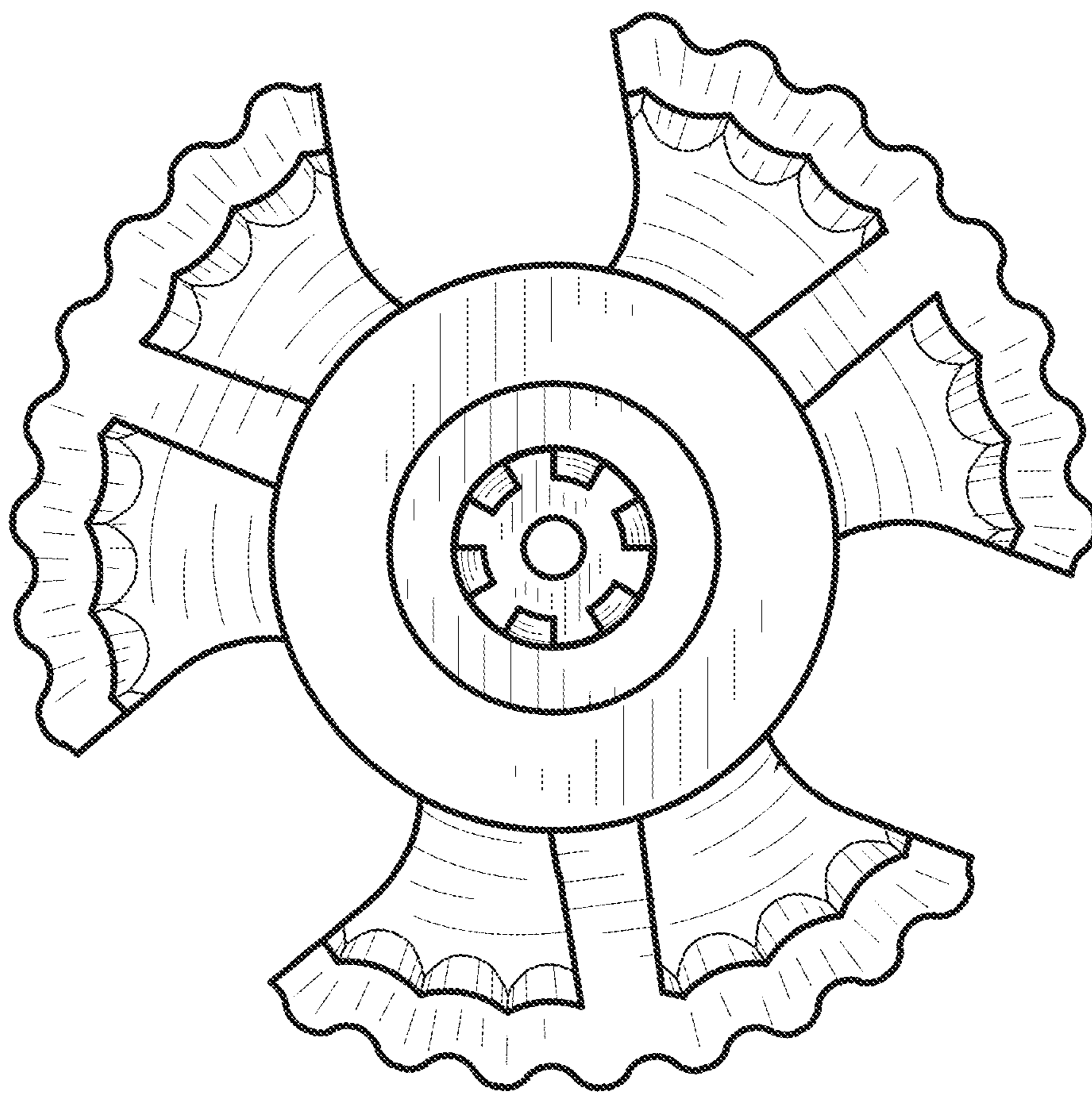


FIG. 8

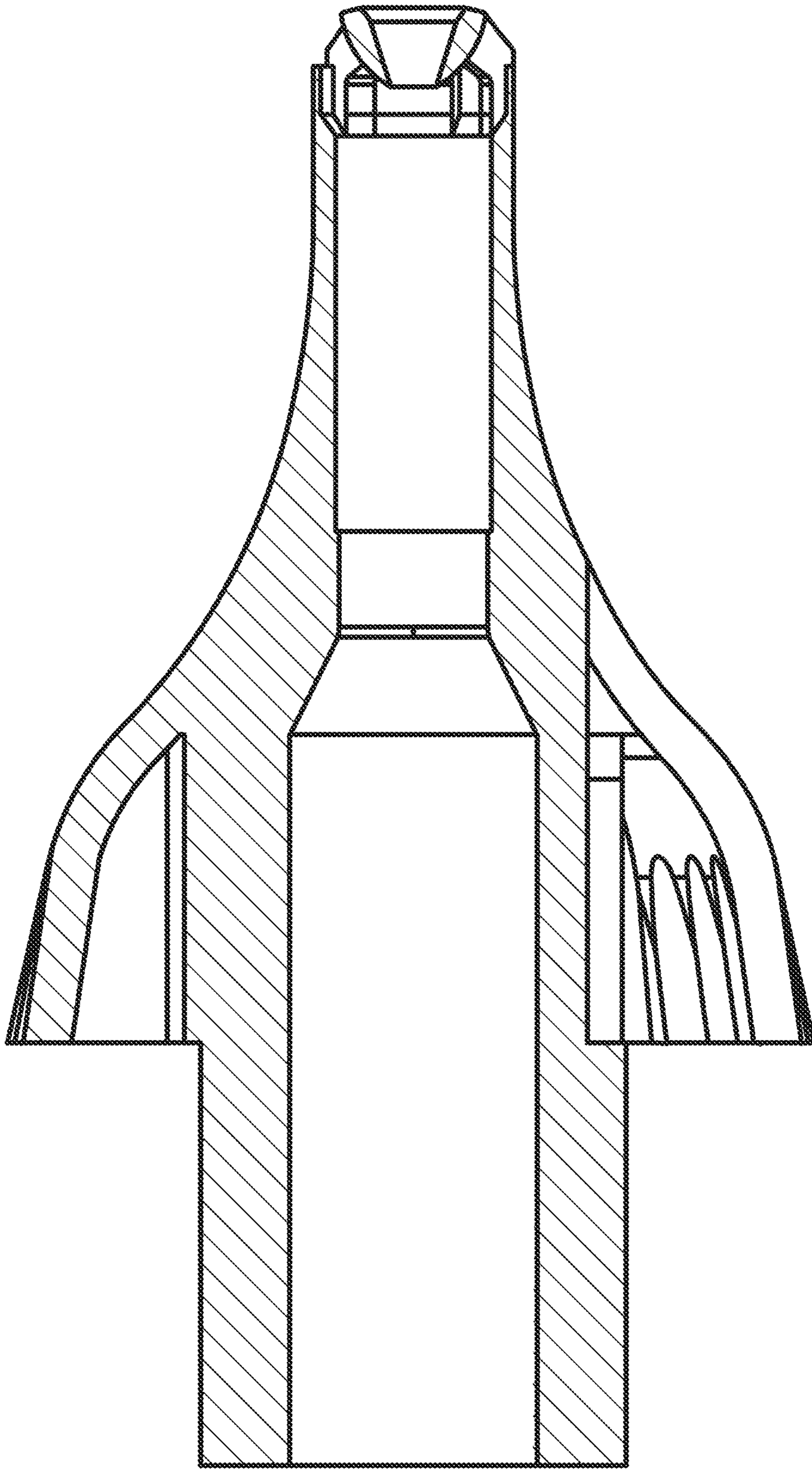


FIG. 9