



US00D900301S

(12) **United States Design Patent** (10) **Patent No.:** **US D900,301 S**
Haggar (45) **Date of Patent:** **** Oct. 27, 2020**

- (54) **CEILING FAN MOTOR HOUSING**
- (71) Applicant: **HUNTER FAN COMPANY**,
Memphis, TN (US)
- (72) Inventor: **Alexander Jonathan Haggar**,
Memphis, TN (US)
- (73) Assignee: **Hunter Fan Company**, Memphis, TN
(US)
- (**) Term: **15 Years**
- (21) Appl. No.: **29/726,915**
- (22) Filed: **Mar. 6, 2020**

Related U.S. Application Data

- (62) Division of application No. 29/635,486, filed on Jan. 31, 2018, now Pat. No. Des. 882,748.
- (51) **LOC (12) Cl.** **23-04**
- (52) **U.S. Cl.**
USPC **D23/411**
- (58) **Field of Classification Search**
USPC D26/59; D23/370, 377-382, 411-414
CPC F04D 25/088; F04D 29/38; F21V 21/03;
B63H 1/16
See application file for complete search history.

(56) **References Cited**

U.S. PATENT DOCUMENTS

D417,495 S	12/1999	Yang	
D475,782 S	6/2003	Hidalgo	
D476,406 S	6/2003	Friedes	
D476,411 S	6/2003	Friedes	
D530,004 S *	10/2006	Curtin	D23/411
D581,040 S *	11/2008	Pickett	D23/411
D603,954 S *	11/2009	Curtin	D23/411
D605,751 S	12/2009	Yang	
D607,556 S *	1/2010	Pickett	D23/411
D628,688 S	12/2010	Pan	
D632,381 S	2/2011	Davenport et al.	

D633,611 S	3/2011	Pan	
D671,631 S *	11/2012	Searle	D23/411
D704,819 S *	5/2014	Wang	D23/411
D704,821 S *	5/2014	Wang	D23/411
D706,410 S	6/2014	Pan	
D706,918 S *	6/2014	Wang	D23/411
D706,919 S *	6/2014	Wang	D23/411
D708,314 S	7/2014	Pan	

(Continued)

OTHER PUBLICATIONS

<https://www.menards.com/main/lighting-ceiling-fans/ceiling-fans/shop-all-ceiling-fans/turn-of-the-century-reg-lafitte-52-gold-stone-transitional-ceiling-fan/p-1444438448164-c-7488.htm?tid=-4699902131565406358>, Turn of the Century Lafitte 52" Gold Stone Ceiling Fan, Model No. fn1305gs, accessed May 3, 2017.

(Continued)

Primary Examiner — Janice Hallmark
(74) *Attorney, Agent, or Firm* — McGarry Bair PC

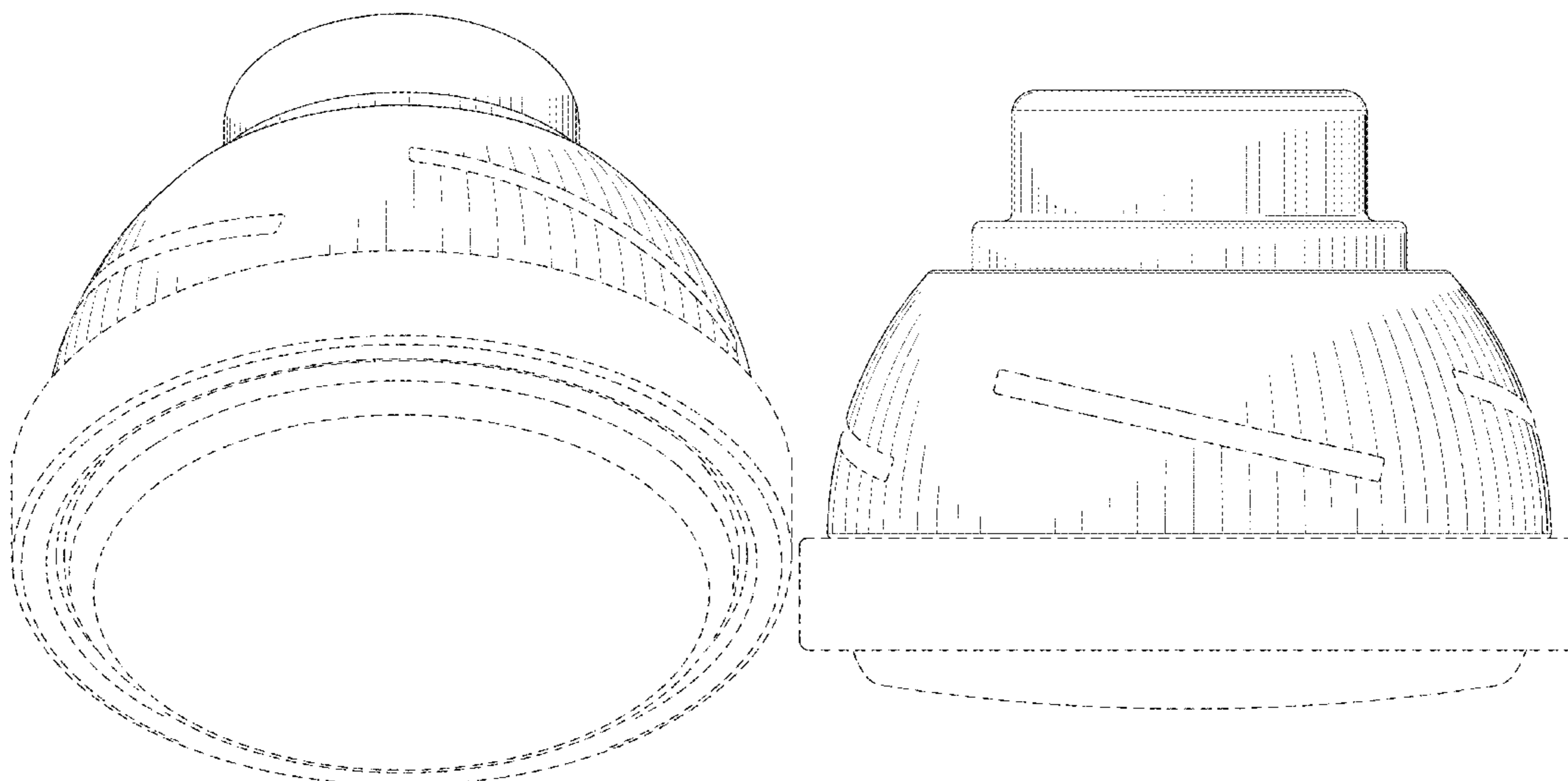
(57) **CLAIM**

The ornamental design for a ceiling fan motor housing, as shown and described.

DESCRIPTION

FIG. 1 is a top perspective view of a ceiling fan motor housing in the environment of a ceiling fan, showing my new design;
FIG. 2 is a bottom perspective view of the ceiling fan motor housing of FIG. 1;
FIG. 3 is a top view of the ceiling fan motor housing of FIG. 1;
FIG. 4 is a bottom view of the ceiling fan motor housing of FIG. 1; and,
FIG. 5 is a side view of the ceiling fan motor housing of FIG. 1.
Portions of the ceiling fan and ceiling fan motor housing shown in broken lines form no part of the claimed design.

1 Claim, 5 Drawing Sheets



(56)

References Cited

U.S. PATENT DOCUMENTS

D760,368	S	6/2016	Chen	
D761,949	S	7/2016	Badarello	
D798,431	S	9/2017	McRoberts	
D804,640	S	12/2017	Hagggar et al.	
D807,491	S	1/2018	Hagggar et al.	
D808,512	S	1/2018	Hidalgo	
D821,559	S	6/2018	Hidalgo	
D821,562	S	* 6/2018	Hagggar	D23/411
D825,052	S	* 8/2018	Guthrie	D23/411
D827,123	S	* 8/2018	Guthrie	D23/411
D844,769	S	* 4/2019	McRoberts	D23/411
D851,234	S	6/2019	Hidalgo	
D855,172	S	* 7/2019	Holmes	D23/411
D861,152	S	9/2019	Orozco	
D866,746	S	* 11/2019	Holmes	D23/411
D875,919	S	* 2/2020	Hagggar	D23/411
D876,609	S	* 2/2020	O'Connell	D23/411
D876,613	S	* 2/2020	Wang	D23/411
D877,315	S	* 3/2020	Pickett	D23/411
D877,316	S	* 3/2020	Wang	D23/411
D879,940	S	* 3/2020	Orozco	D23/411
D882,748	S	* 4/2020	Hagggar	D23/377
2016/0319842	A1	11/2016	Botkin	

OTHER PUBLICATIONS

<https://ceilingfans.emerson.com/shop/en/fan/54-volta-ceiling-fan-fan-p-cf590>, Emerson Volta 54" Ceiling Fan, Model No. cf590, accessed May 3, 2017.

<http://www.menards.com/main/p-1444424537879-c-7487.htm?tid=-5244648551955826367>, Turn of the Century Montego Bay 52" Weathered Copper Transitional Wet-Rated Ceiling Fan, Model No. CP152115, accessed May 3, 2017.

<https://www.menards.com/main/lighting-ceiling-fans/ceiling-fans/indoor-ceiling-fans/turn-of-the-century-reg-taylor-48-espresso-contemporary-led-indoor-ceiling-fan/p-1444433461784-c-7488.htm?tid=2162821745079775849>, Turn of the Century Taylor 48" Espresso, Contemporary, LED Indoor Ceiling Fan, Model No. 20554, accessed May 3, 2017.

<http://www.minkagroup.net/products/f753-bnw>, Minka Java, 54" Ceiling Fan in Brushed Nickel Wet Finish with 3 pc Blades in Silver, Model No. F753-BNW, accessed May 3, 2017.

http://www.cens.com/cens/html/en/product/product_main_77133.html, Air Cool Industrial Co., Ltd. Phoenix-Contemporary Series, Model No. F527, accessed May 3, 2017.

http://www.cens.com/cens/html/en/product/product_main_77128.html, Air Cool Industrial Co., Ltd. Orion-Contemporary Series, Model No. YG-238, accessed May 3, 2017.

<http://www.minkagroup.net/minka-aire/fans>, Minka Concept I, 52" 3-Blades LED Ceiling Fan in Oil Rubbed Bronze Finish with Taupe Blades w/White Opal Glass, Model No. F517L-ORB, accessed Jan. 31, 2018.

<https://www.craftmade.com/montreal-mn44>, Craftmade, Montreal Ceiling Fan with Blades included, Model No. MN44, accessed May 3, 2017.

<https://www.lowes.com/pd/Harbor-Breeze-Ocean-Grove-52-in-Oil-Rubbed-Bronze-Downrod-or-Close-Mount-Indoor-Ceiling-Fan-with-Light-Kit-and-Remote/1000124929>, Harbor Breeze Ocean Grove 52-in Oil Rubbed Bronze Downrod or Close Mount Indoor Ceiling Fan with Light Kit and Remote, Model No. 40667, accessed May 3, 2017.

<http://www.fanimation.com/products/index.php/fans/coop.html>, Fanimation Coop Ceiling Fan with Blades included, accessed May 3, 2017.

<http://www.fanimation.com/products/index.php/fans/berlin.html>, Fanimation Berlin Ceiling Fan, Model No. LP8064, accessed May 3, 2017.

<http://www.hunterfan.com/Ceiling-Fans/Sentinel?ModelNumber=59210>, Hunter Fan, Sentinel 52" Ceiling Fan, Model No. 59210 Premier Bronze Finish, accessed May 3, 2017.

<http://www.kichler.com/products/product/52-inch-vassar-led-fan-oz-330002oz.aspx>, Kichler Vassar Collection, 52 Inch Vassar LED Fan OZ, Model No. 330002OZ, accessed May 3, 2017.

<http://www.homedepot.com/p/GE-Treviso-52-in-Oil-Rubbed-Bronze-Indoor-LED-Ceiling-Fan-20321/206087472>, GE Treviso 52 in. Oil Rubbed Bronze Indoor LED Ceiling Fan, Model No. 20321, accessed May 3, 2017.

<http://www.homedepot.com/p/Hampton-Bay-Marlton-52-in-Oil-Rubbed-Bronze-Ceiling-Fan-YG305-ORB/202549795>, Hampton Bay, Marlton 52 in. Oil-Rubbed Bronze Ceiling Fan, Model No. YG305-ORB, accessed May 3, 2017.

<http://www.hunterfan.com/Ceiling-Fans/Dempsey-with-Light?ModelNumber=59246>, Hunter Fan, Dempsey with Light, 44" Ceiling Fan, Model No. 59245 Brushed Nickel Finish, accessed May 3, 2017.

<http://www.casablancafanco.com/Ceiling-Fans/Isotope-Small-Room?ModelNumber=59020>, Casablanca Isotope 44" Ceiling Fan, Model No. 59020, accessed May 3, 2017.

<http://www.hunterfan.com/Ceiling-Fans/Avia?ModelNumber=59234>, Hunter Fan, Avia 54" Ceiling Fan, Model No. 59234 Brushed Nickel Finish, accessed May 3, 2017.

* cited by examiner

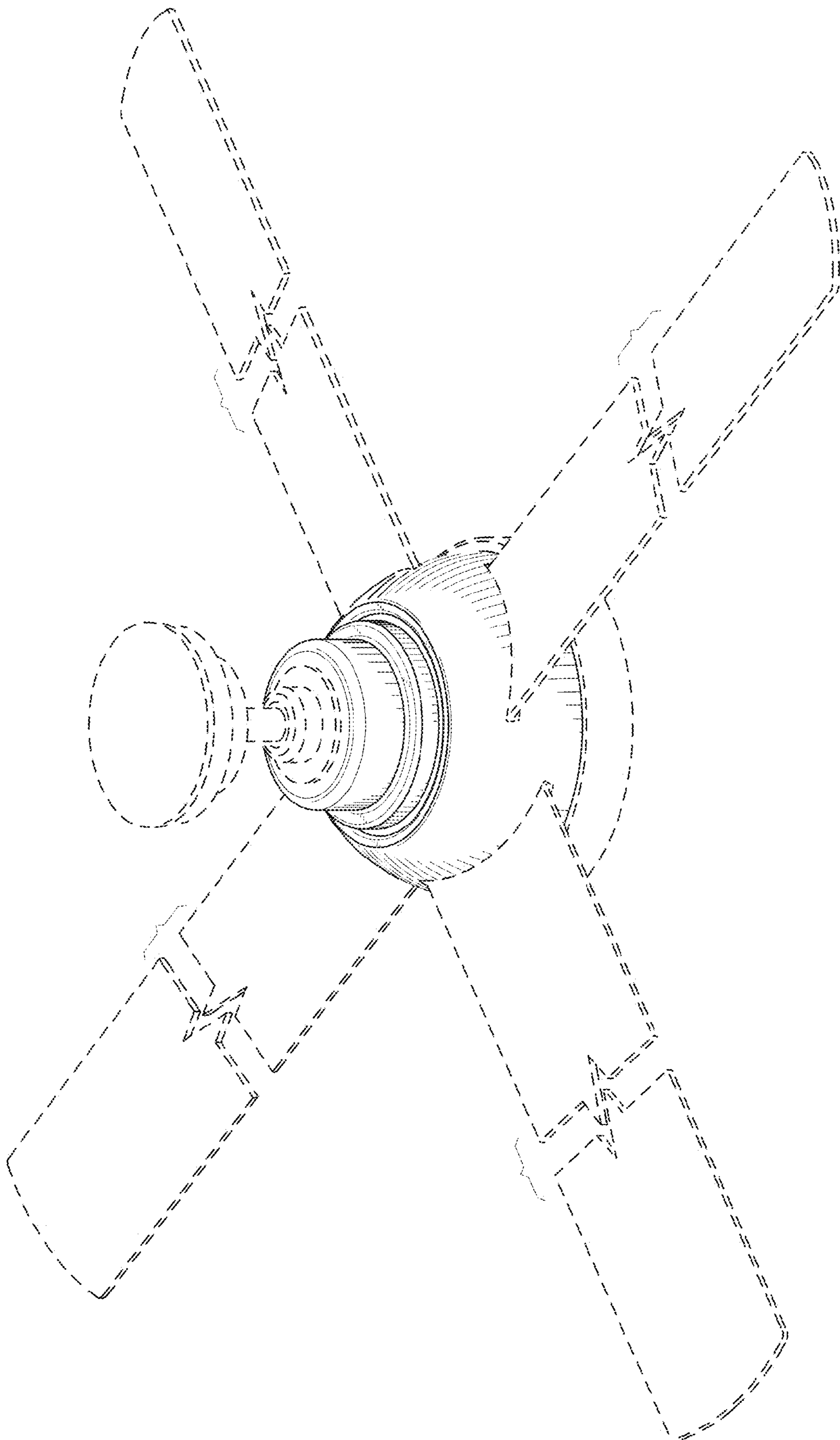


FIG.1

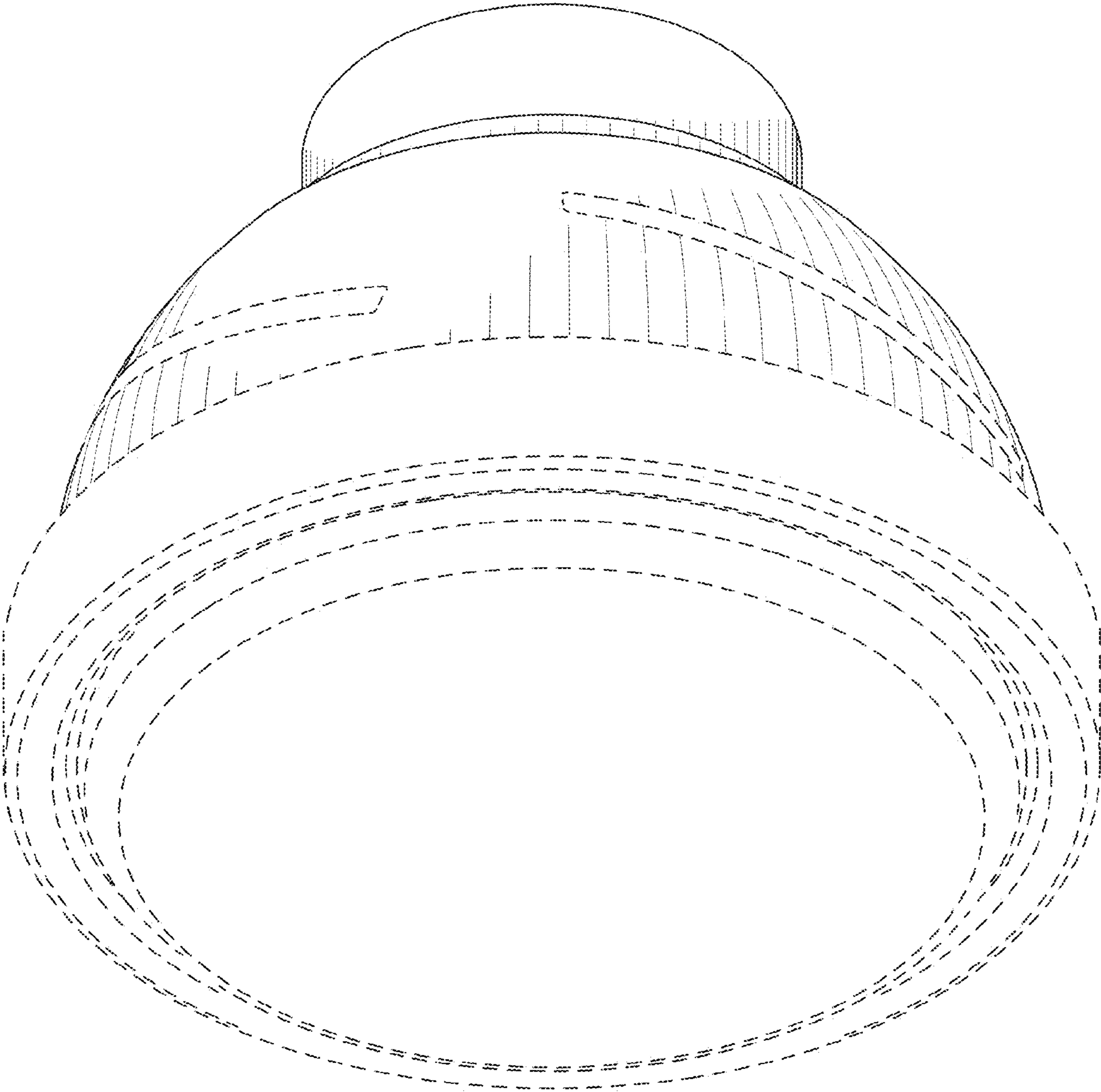


FIG.2

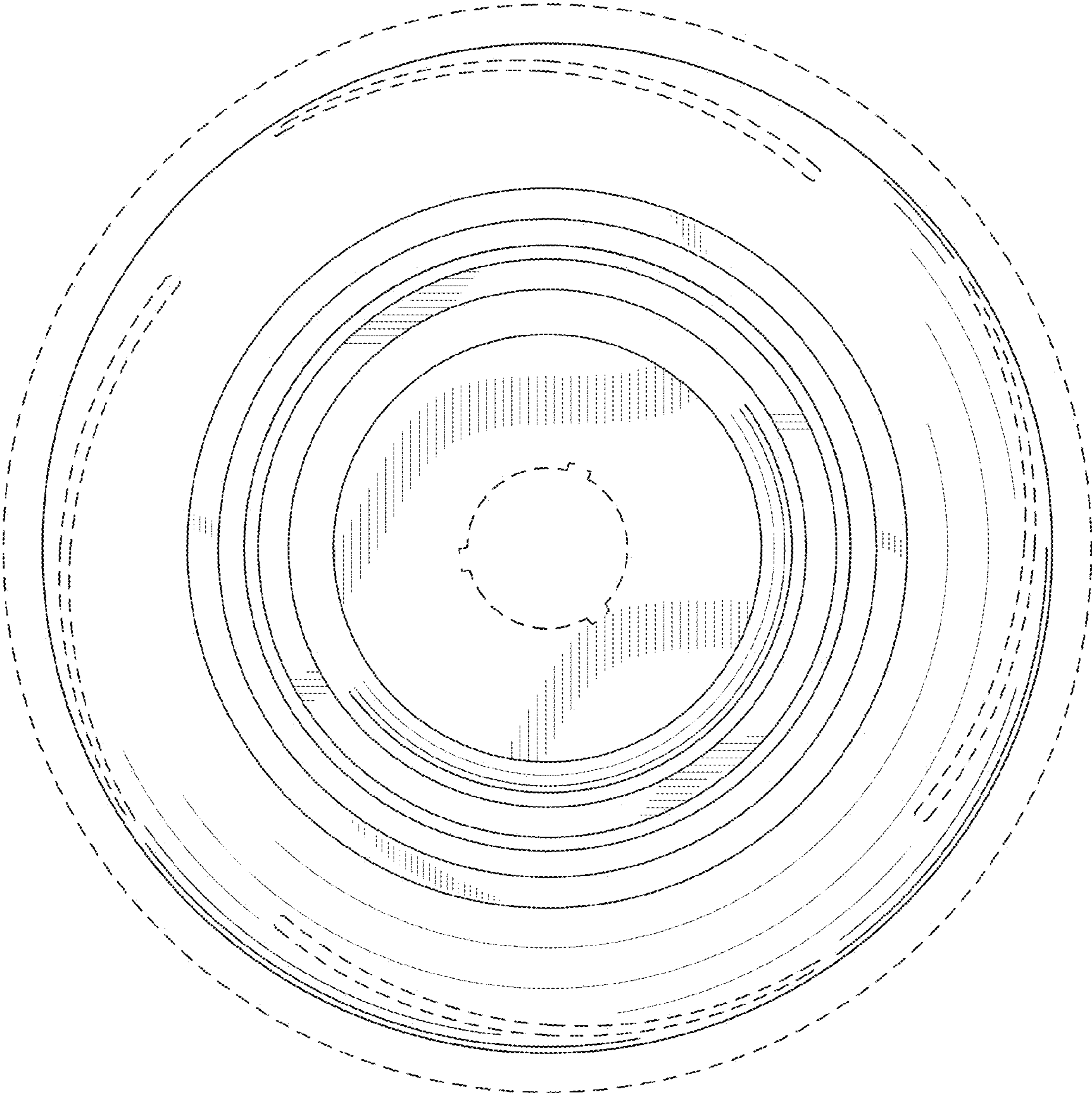


FIG. 3

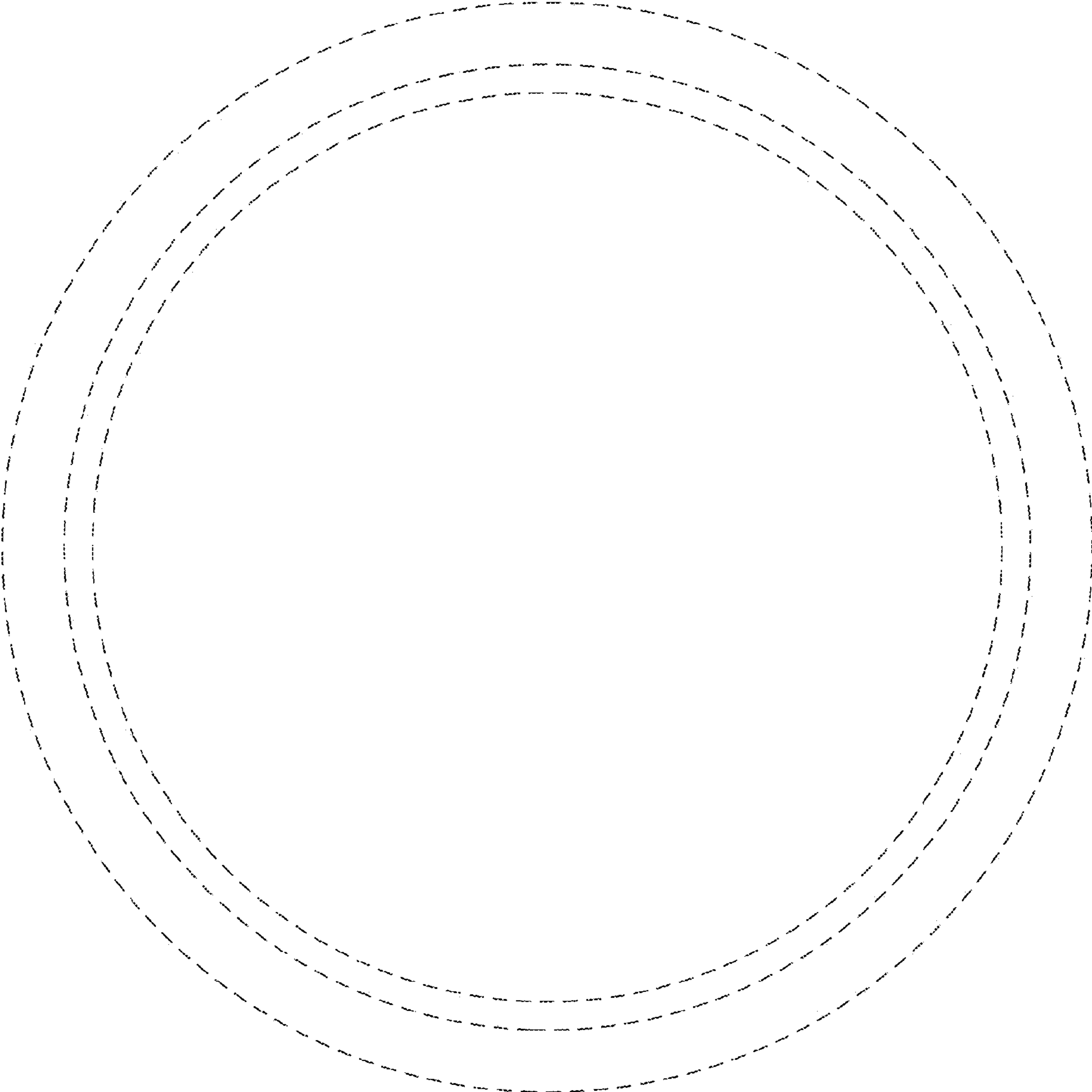


FIG.4

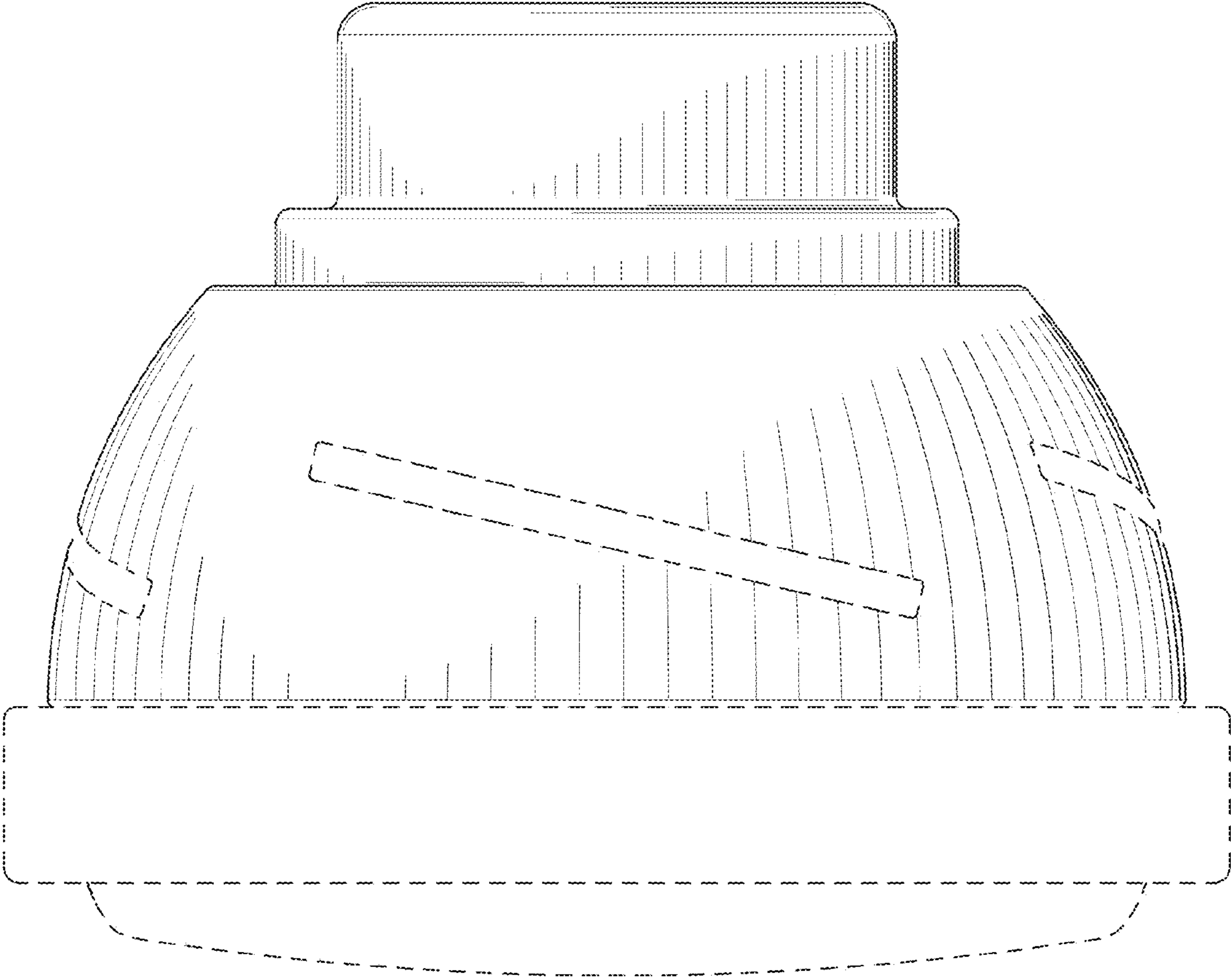


FIG.5