



US00D900300S

(12) **United States Design Patent**
Biancuzzo

(10) **Patent No.:** **US D900,300 S**

(45) **Date of Patent:** **** Oct. 27, 2020**

(54) **FAN BLADE BRACKET**

(71) Applicant: **AIR COOL INDUSTRIAL CO., LTD.**, Taichung (TW)

(72) Inventor: **Francisco Biancuzzo**, Davie, FL (US)

(73) Assignee: **AIR COOL INDUSTRIAL CO., LTD.**, Taichung (TW)

(**) Term: **15 Years**

(21) Appl. No.: **29/684,995**

(22) Filed: **Mar. 25, 2019**

(51) **LOC (12) Cl.** **23-04**

(52) **U.S. Cl.**
USPC **D23/411**

(58) **Field of Classification Search**
USPC D23/370-385, 411-414; D13/179;
D15/5, 7; D8/366, 373
CPC F04D 25/088; F04D 29/38; F04D 25/06;
F04D 19/002; F04D 29/522; F04D
29/5853; F04D 29/326
See application file for complete search history.

(56) **References Cited**

U.S. PATENT DOCUMENTS

D328,951 S *	8/1992	Scofield	D23/411
D522,129 S *	5/2006	Hidalgo	D23/411
D525,700 S *	7/2006	Ertze	D23/411
D532,104 S *	11/2006	Pickett	D23/411
D551,337 S *	9/2007	Pickett	D23/411
D568,983 S *	5/2008	Pan	D23/411
D573,245 S *	7/2008	Pan	D23/411
D594,550 S *	6/2009	Pan	D23/411
7,762,782 B2 *	7/2010	Wang	F04D 29/34 416/210 R
D627,054 S *	11/2010	Pan	D23/411
D707,347 S *	6/2014	Wang	D23/411
D744,080 S *	11/2015	Wang	D23/411

D745,960 S *	12/2015	Pickett	D23/411
D773,636 S *	12/2016	Wang	D23/411
D778,427 S *	2/2017	Hidalgo	D23/411
D787,038 S *	5/2017	Badarello	D23/411
D787,040 S *	5/2017	Badarello	D23/411
D818,574 S *	5/2018	Hidalgo	D23/411
D821,563 S *	6/2018	Holmes	D23/411
D834,700 S *	11/2018	Hidalgo	D23/411
D855,790 S *	8/2019	Badarello	D23/411
D877,318 S *	3/2020	Holmes	D23/411
2009/0246028 A1 *	10/2009	Richardson	F04D 29/34 416/210 R

* cited by examiner

Primary Examiner — Janice Hallmark

(74) *Attorney, Agent, or Firm* — Pai Patent & Trademark Law Firm; Chao-Chang David Pai

(57) **CLAIM**

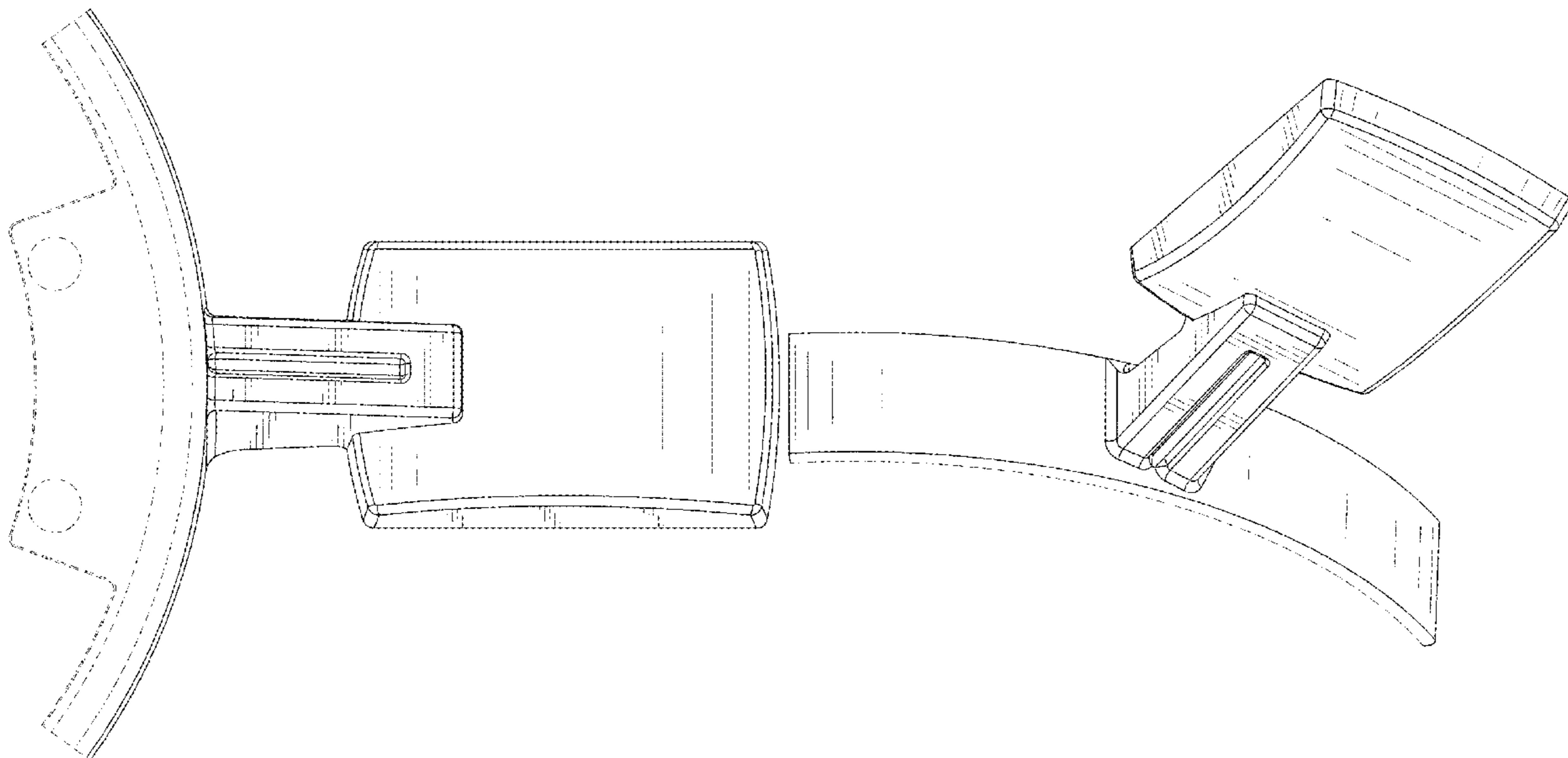
The ornamental design for a fan blade bracket, as shown and described.

DESCRIPTION

FIG. 1 is a front top perspective view of a fan blade bracket showing my new design;
FIG. 2 is a front elevational view thereof;
FIG. 3 is a rear elevational view thereof;
FIG. 4 is a left side elevational view thereof;
FIG. 5 is a right side elevational view thereof;
FIG. 6 is a top plan view thereof;
FIG. 7 is a bottom plan view thereof;
FIG. 8 is a front bottom perspective view thereof; and,
FIG. 9 is a front top view of the fan blade bracket in accordance with my design, shown in an environment thereof.

The ceiling fan shown in broken line in FIG. 9 depicts environmental subject matter and forms no part of the claimed design. All other broken lines illustrate portions of the fan blade bracket and form no part of the claimed design.

1 Claim, 7 Drawing Sheets



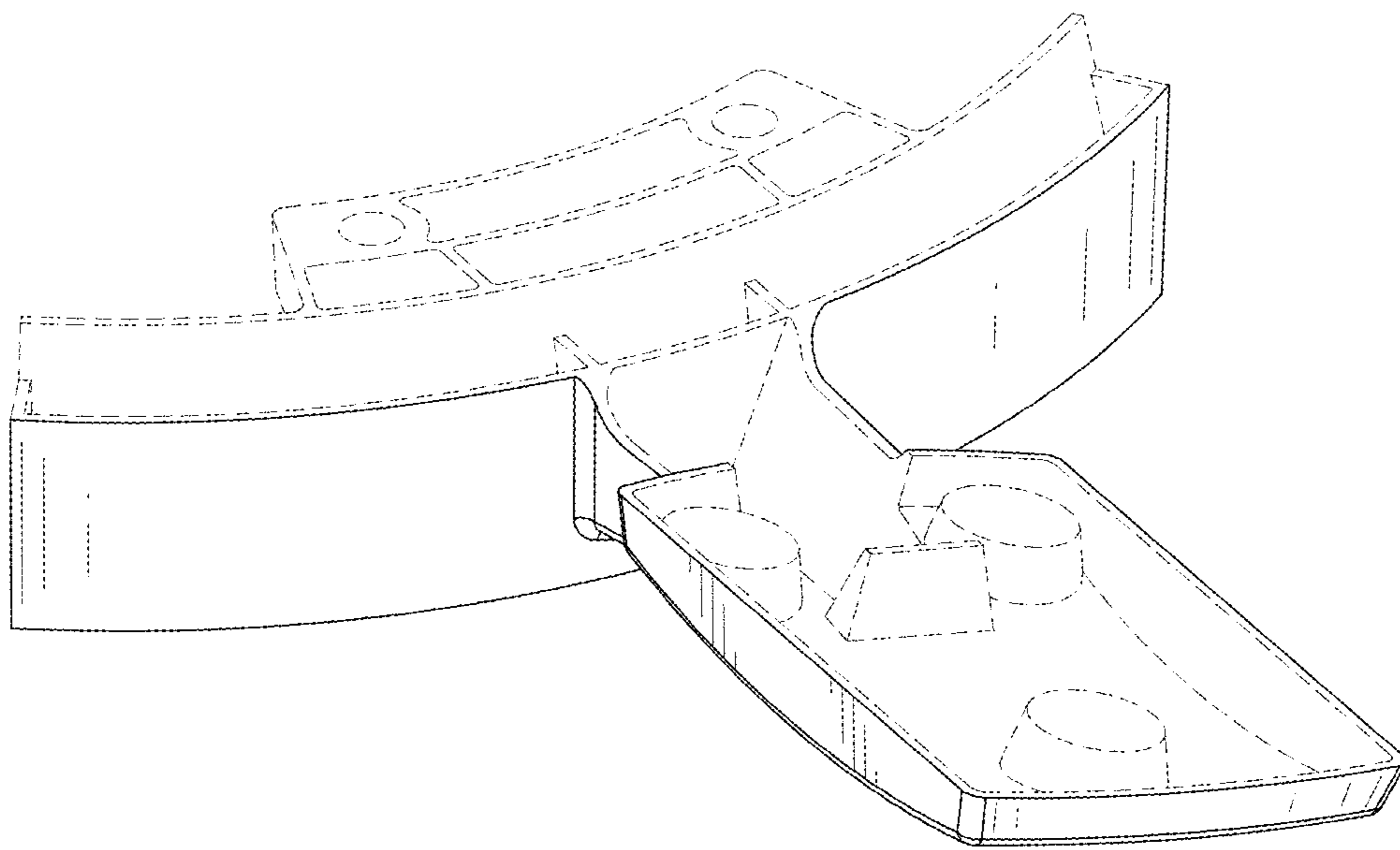


FIG. 1

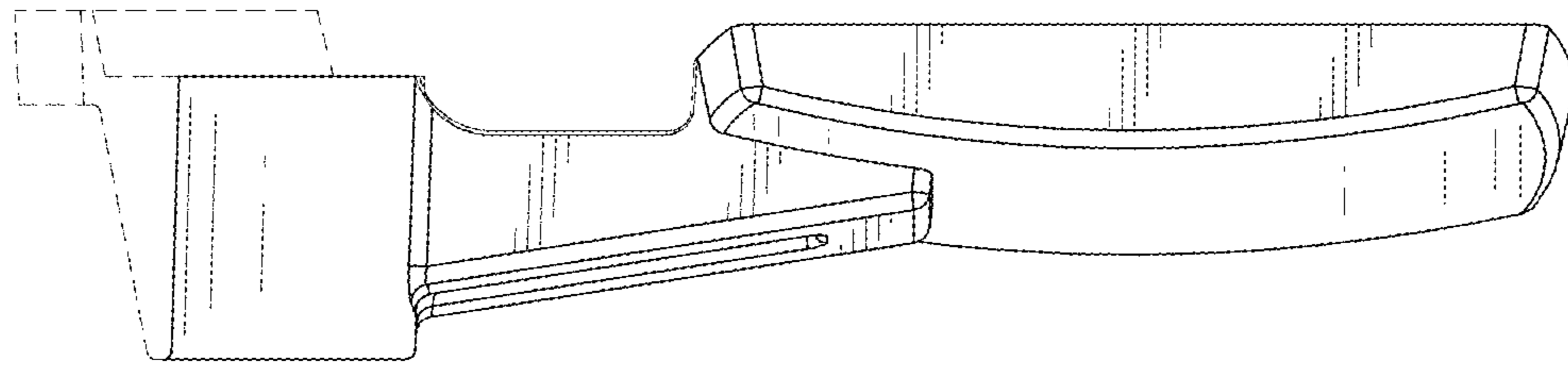


FIG. 2

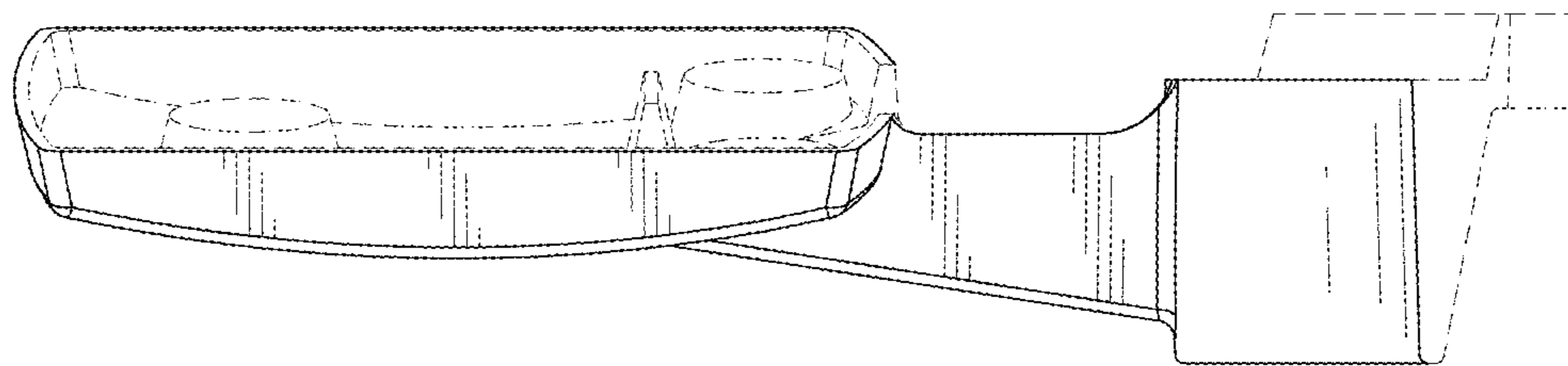


FIG. 3

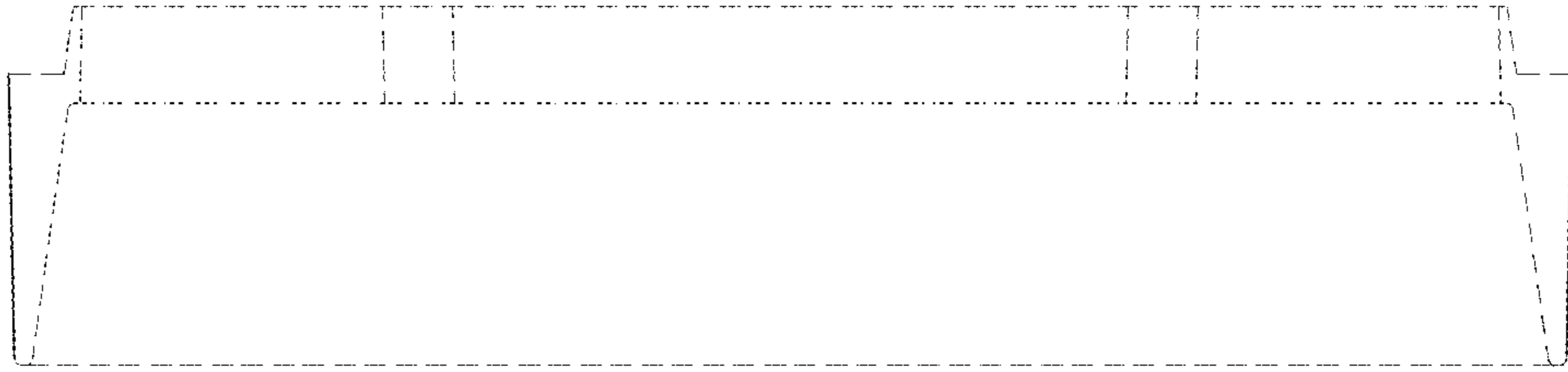


FIG. 4

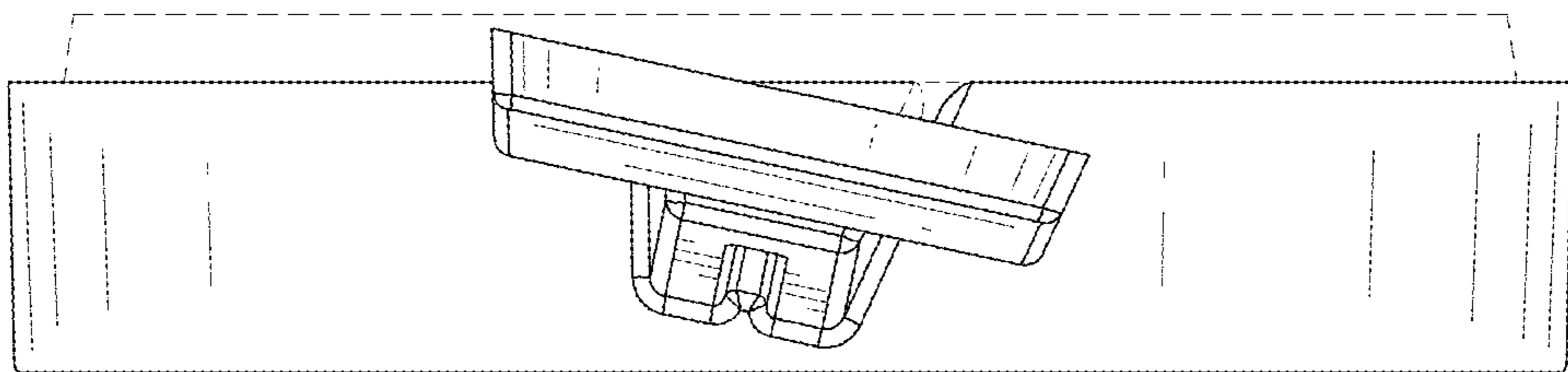


FIG. 5

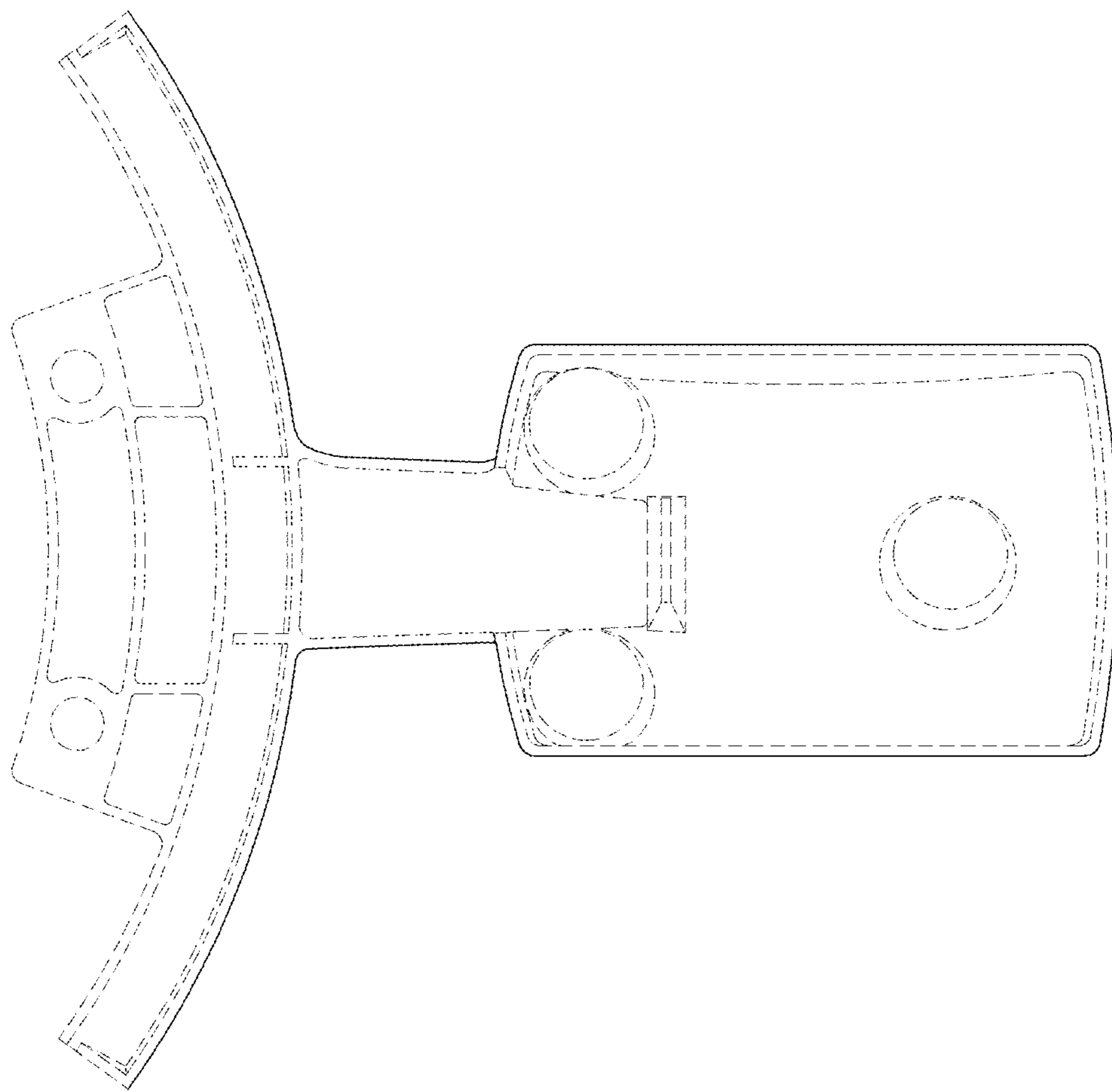


FIG. 6

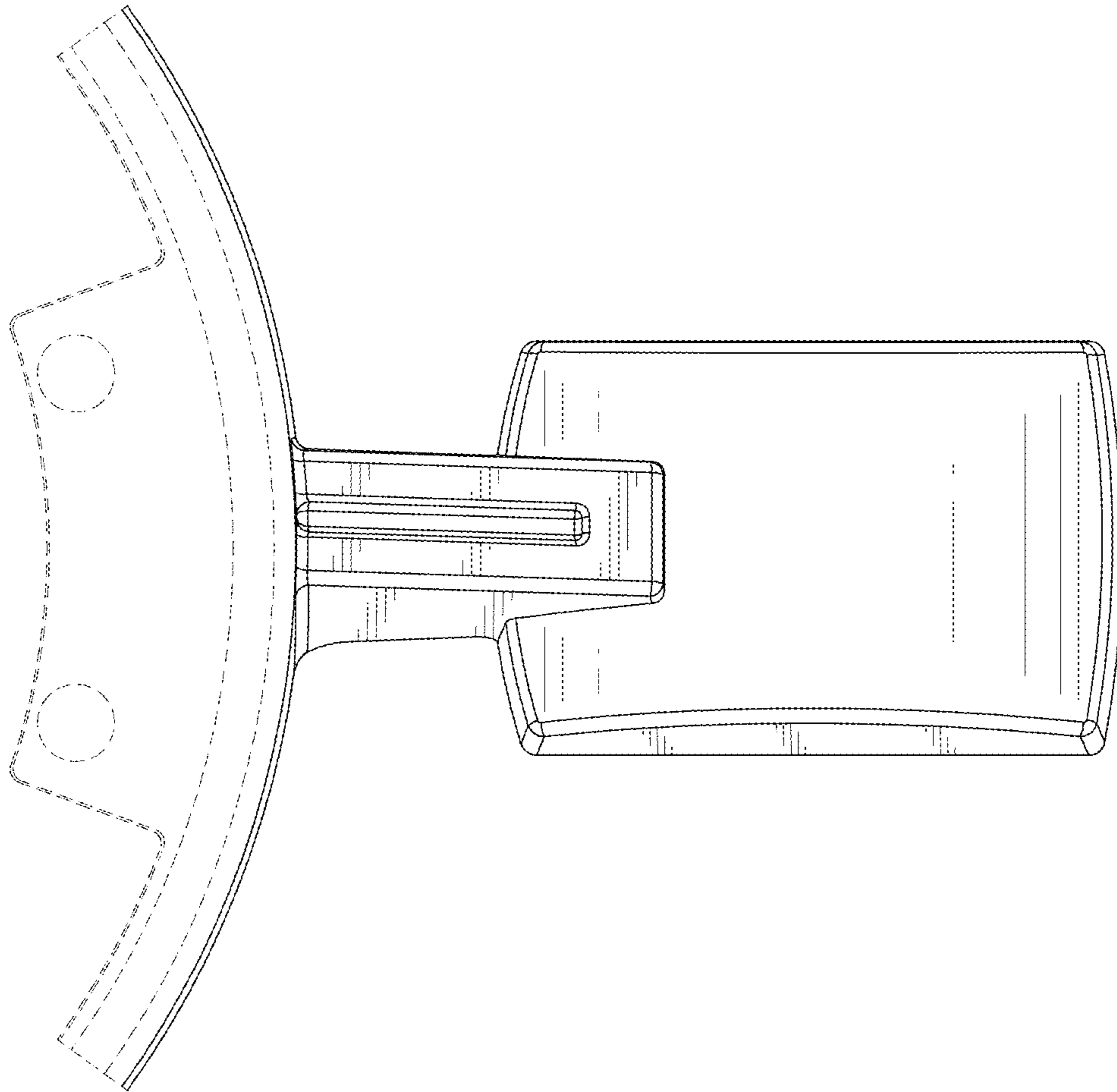


FIG. 7

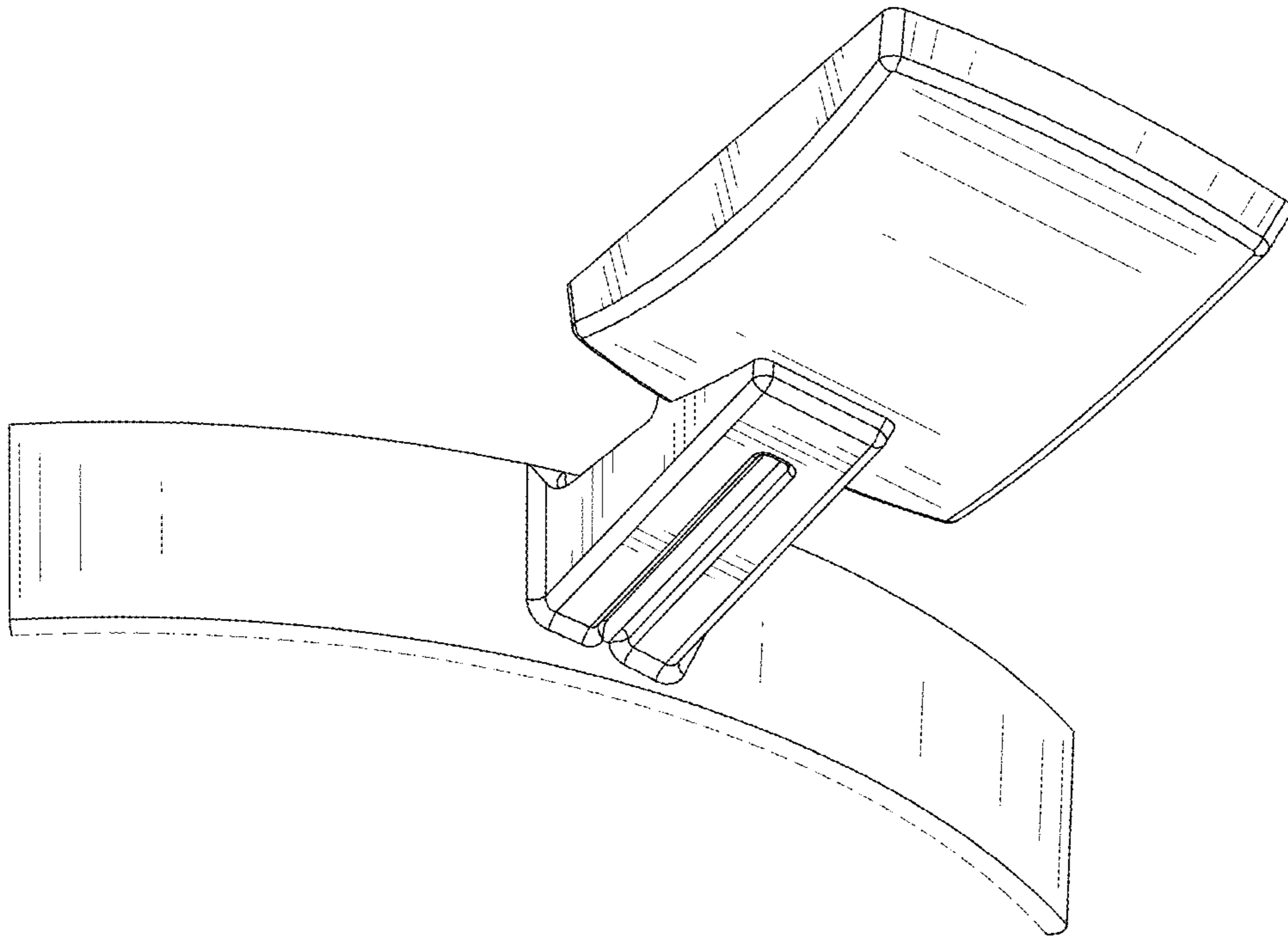


FIG. 8

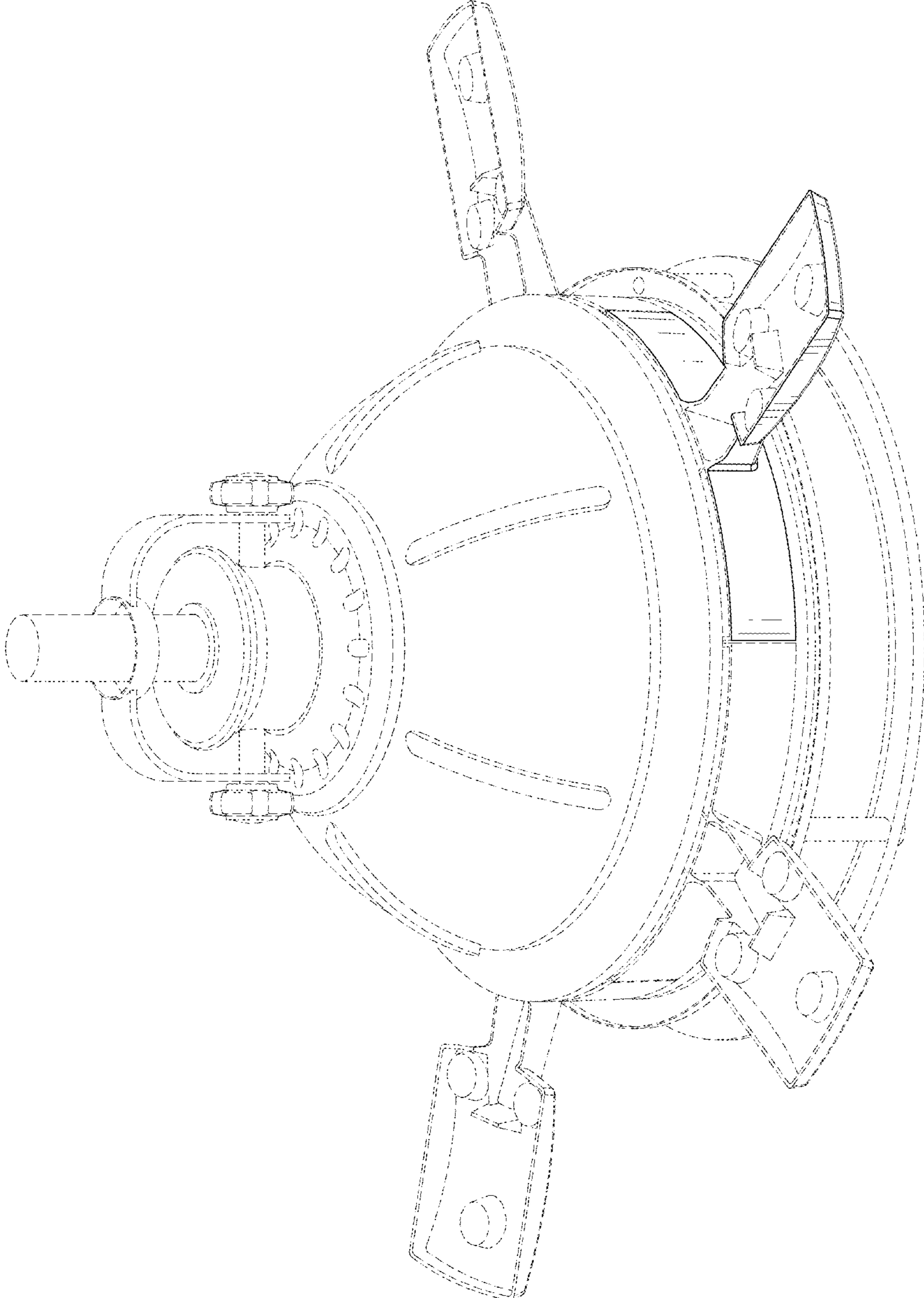


FIG. 9