



US00D900299S

(12) **United States Design Patent** (10) **Patent No.:** **US D900,299 S**
Hedlund et al. (45) **Date of Patent:** **** Oct. 27, 2020**

(54) **VENTILATION HOOD WITH ARM**

FOREIGN PATENT DOCUMENTS

(71) Applicant: **FUMEX AB**, Skellefteå (SE)

CN 305149506 * 6/2018
EM 001242721-0004 * 10/2010

(72) Inventors: **Lars Hedlund**, Skellefteå (SE); **Tomas Bellgran**, Skellefteå (SE); **Gustav Stenberg**, Skellefteå (SE); **Patrik Andersson**, Boliden (SE); **Petter Arnqvist Eriksson**, Skellefteå (SE)

(Continued)

(73) Assignee: **FUMEX AB**, Skellefteå (SE)

OTHER PUBLICATIONS

(**) Term: **15 Years**

Vacuum nozzle, announced Date unavailable[online], [site visited Apr. 28, 2020]. Available from internet, URL:<<https://airhand.com/product/adjustable-vacuum-4-5-round-nozzle/>> (Year: 2020).*

(21) Appl. No.: **29/672,873**

(Continued)

(22) Filed: **Dec. 10, 2018**

Primary Examiner — Barbara Fox

Assistant Examiner — Jamaal Rasheed

(30) **Foreign Application Priority Data**

(74) *Attorney, Agent, or Firm* — Marshall, Gerstein & Borun LLP

Jun. 11, 2018 (EM) 005306339-0003

(57) **CLAIM**

(51) **LOC (12) Cl.** **23-01**

The ornamental design for ventilation hood with arm, as shown and described.

(52) **U.S. Cl.**

USPC **D23/393**

(58) **Field of Classification Search**

USPC D23/263, 266, 393, 394, 356; D24/232, D24/177; D14/452, 217, 216, 208; D26/65; D12/194, 400; D15/5

CPC B08B 15/00; B08B 15/04; F16L 27/08; F16D 13/04; E04G 3/00; F16M 11/12

See application file for complete search history.

DESCRIPTION

FIG. 1 is a front perspective view of ventilation hood with arm of the present invention;

FIG. 2 is a rear elevation view of the invention illustrated in FIG. 1;

FIG. 3 is a front elevation view of the invention illustrated in FIG. 1;

FIG. 4 is a right side elevation view of the invention illustrated in FIG. 1;

FIG. 5 is a left side elevation view of the invention illustrated in FIG. 1;

FIG. 6 is a top view of the invention illustrated in FIG. 1; and,

FIG. 7 is a bottom view of the invention illustrated in FIG. 1.

(56) **References Cited**

U.S. PATENT DOCUMENTS

4,408,750 A * 10/1983 Andersson B65G 69/0441

266/216

4,418,885 A * 12/1983 Serrano B28B 21/76

249/100

4,765,099 A * 8/1988 Tanner B24B 55/102

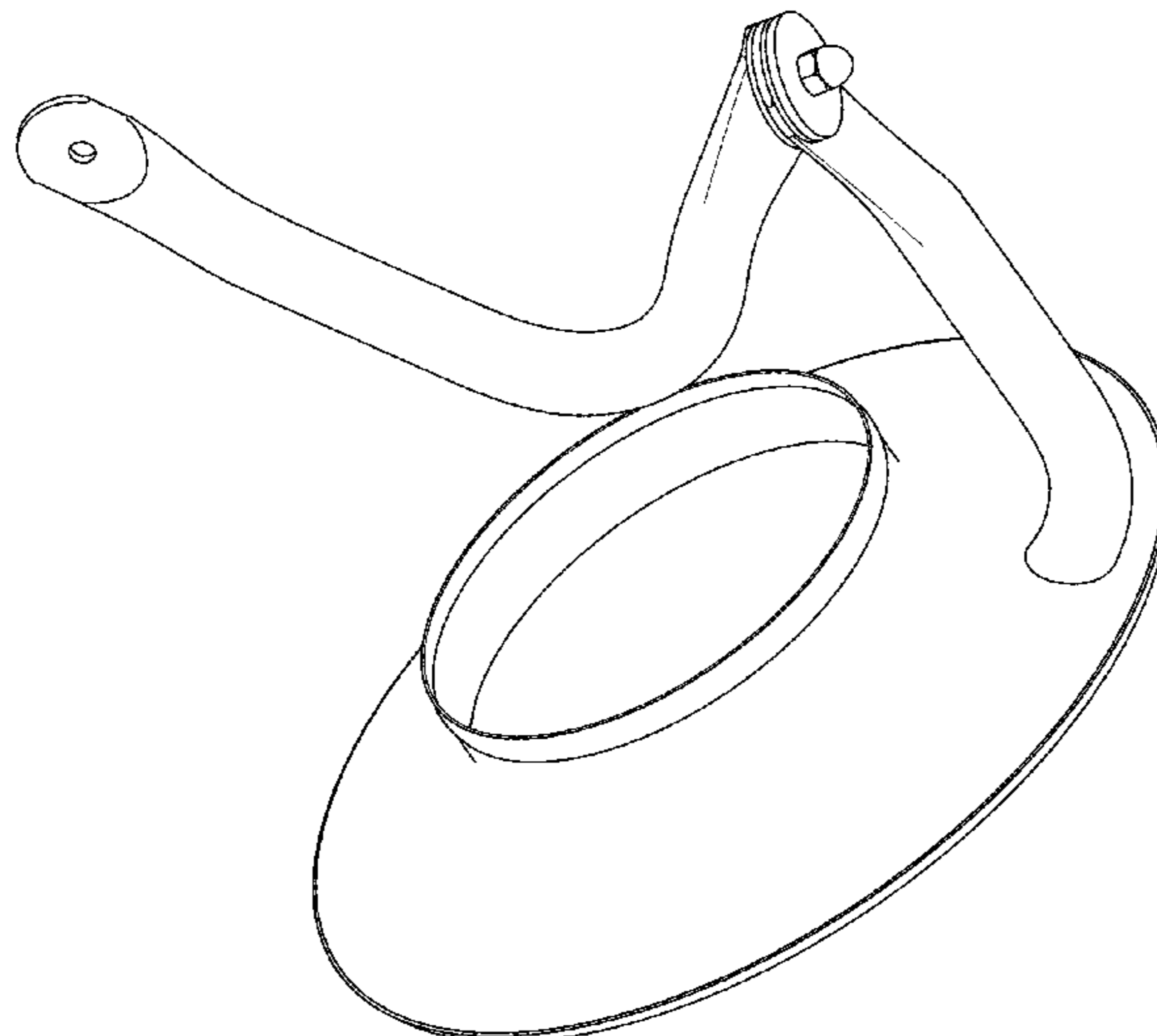
451/359

D359,958 S * 7/1995 Frodelius D14/208

D571,273 S * 6/2008 Ferrari D12/194

(Continued)

1 Claim, 7 Drawing Sheets



(56)

References Cited

U.S. PATENT DOCUMENTS

D724,055 S * 3/2015 Tice D14/216
 D822,815 S * 7/2018 Seo D23/356
 D856,977 S * 8/2019 Hartmann D14/216
 D863,193 S * 10/2019 Bidigare D12/400
 D863,194 S * 10/2019 Bidigare D12/400
 D863,195 S * 10/2019 Bidigare D12/400
 D866,524 S * 11/2019 McElveen H04R 1/342
 D14/217
 2004/0255927 A1 * 12/2004 Johnson F24C 3/042
 126/92 R
 2006/0032490 A1 * 2/2006 Johnson F23C 3/002
 126/92 B
 2009/0283382 A1 * 11/2009 Hedlund F16L 27/0849
 192/70.22
 2014/0049043 A1 * 2/2014 Hamman, Jr. D06F 58/20
 285/320
 2018/0319076 A1 * 11/2018 Hikmet B33Y 80/00

FOREIGN PATENT DOCUMENTS

EM 002600916-0002 * 12/2014
 EM 305149505 * 6/2018

OTHER PUBLICATIONS

Round nozzle, announced Date unavailable[online], [site visited Apr. 28, 2020]. Available from internet, URL:<<https://www.ftm-technologies.com/produit/anti-static-round-nozzle-for-segment-suction-arm/?lang=en>> (Year: 2020).*

Duct to Hood transition, announced Date unavailable[online], [site visited Apr. 28, 2020]. Available from internet, URL:<<https://www.nuaire.com/round-to-round-transition-duct-to-hood-transition-connection-8-to-10>> (Year: 2020).*

Extractor arm , announced Date unavailable[online], [site visited Apr. 28, 2020]. Available from internet, URL:<<https://movexinc.com/local-extractors-us/pss/>> (Year: 2020).*

* cited by examiner

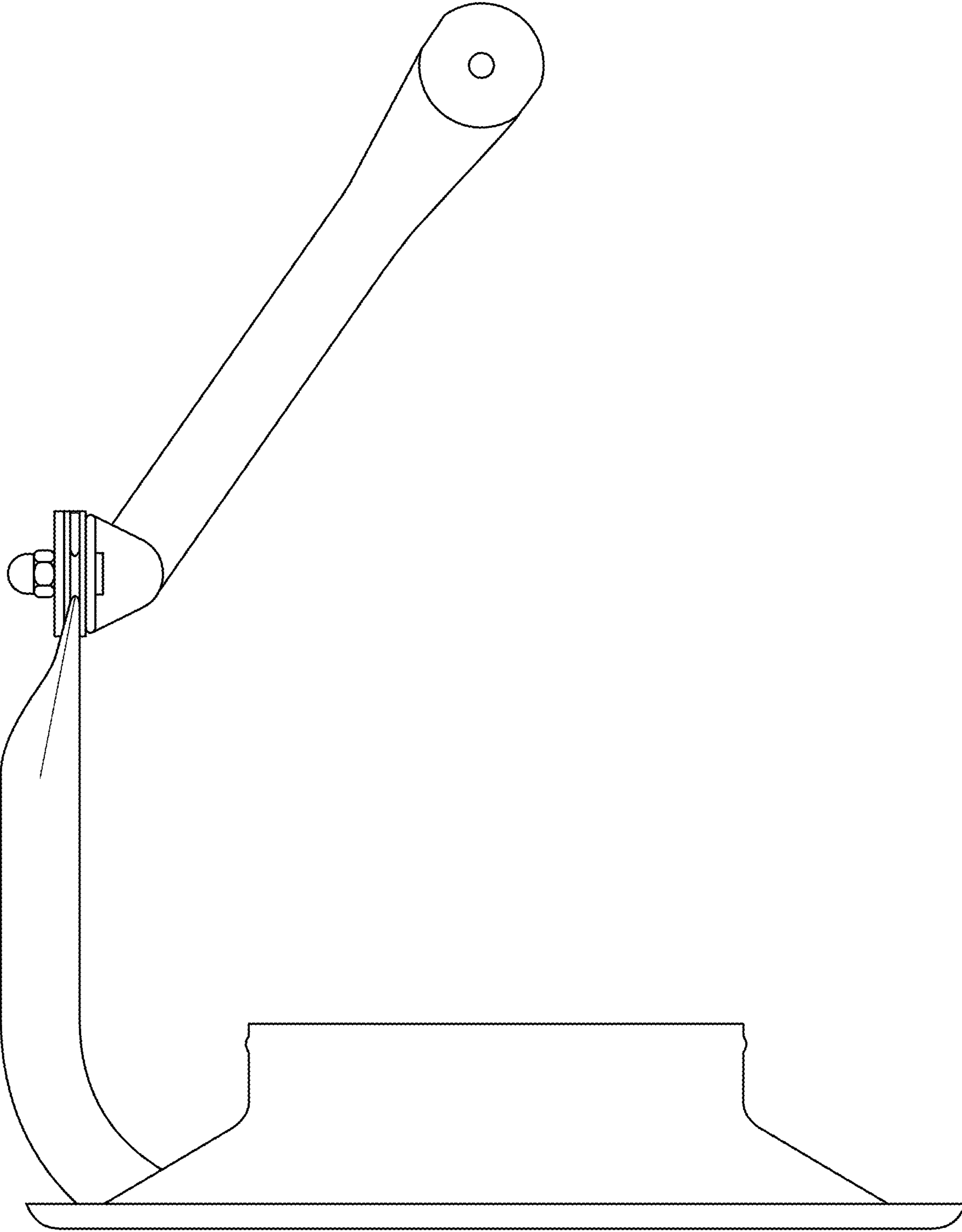


FIG. 1

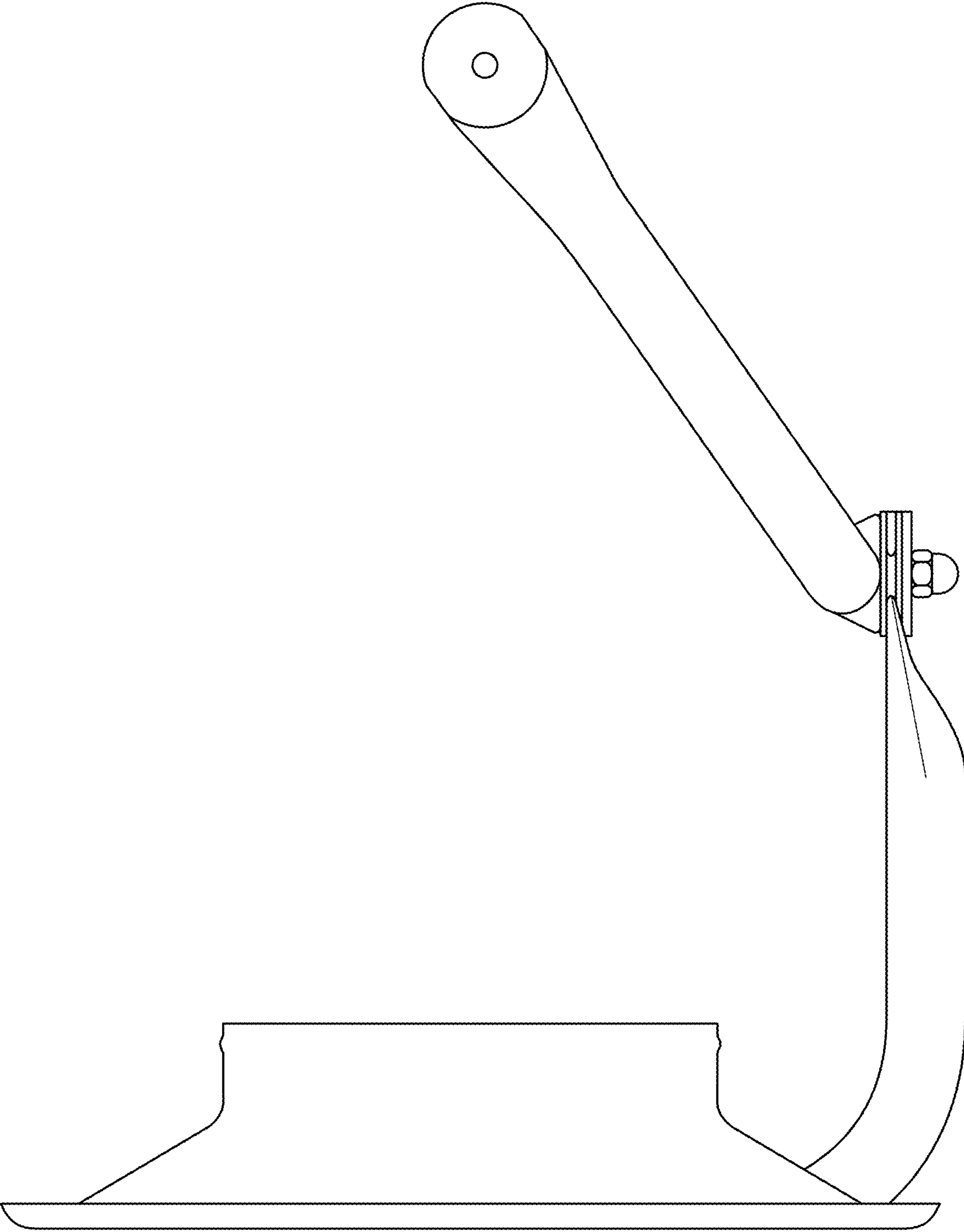


FIG. 2

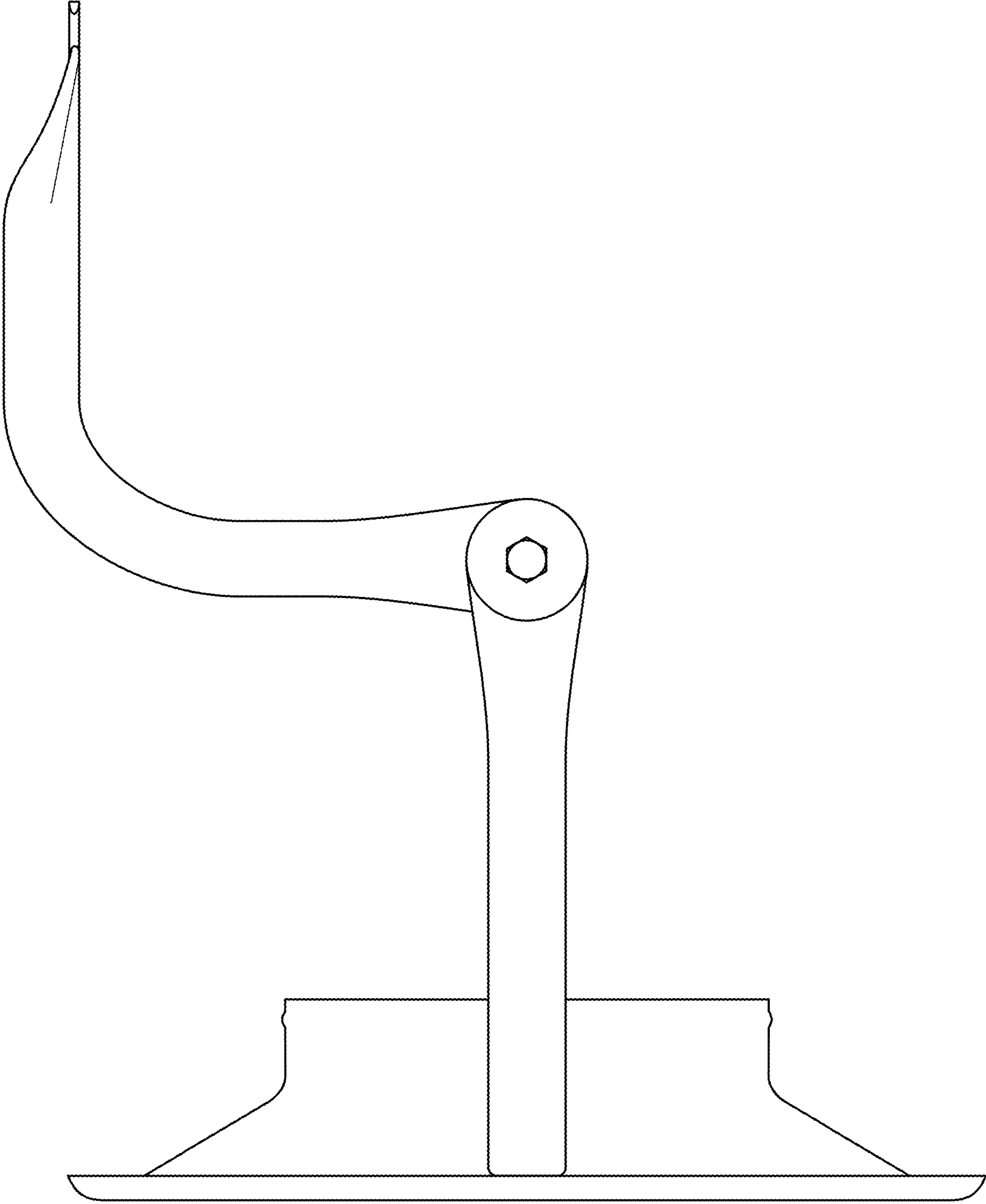


FIG. 3

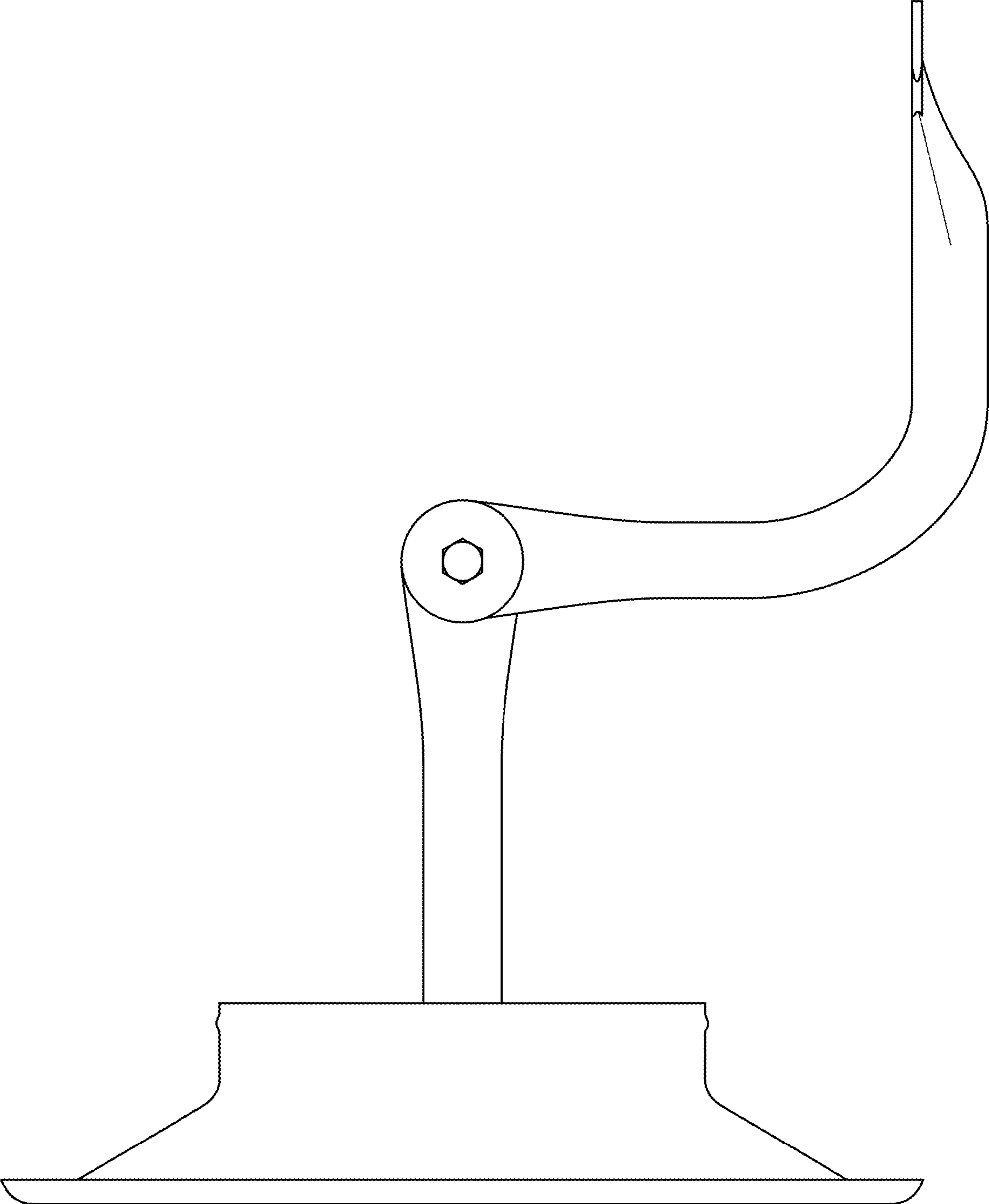


FIG. 4

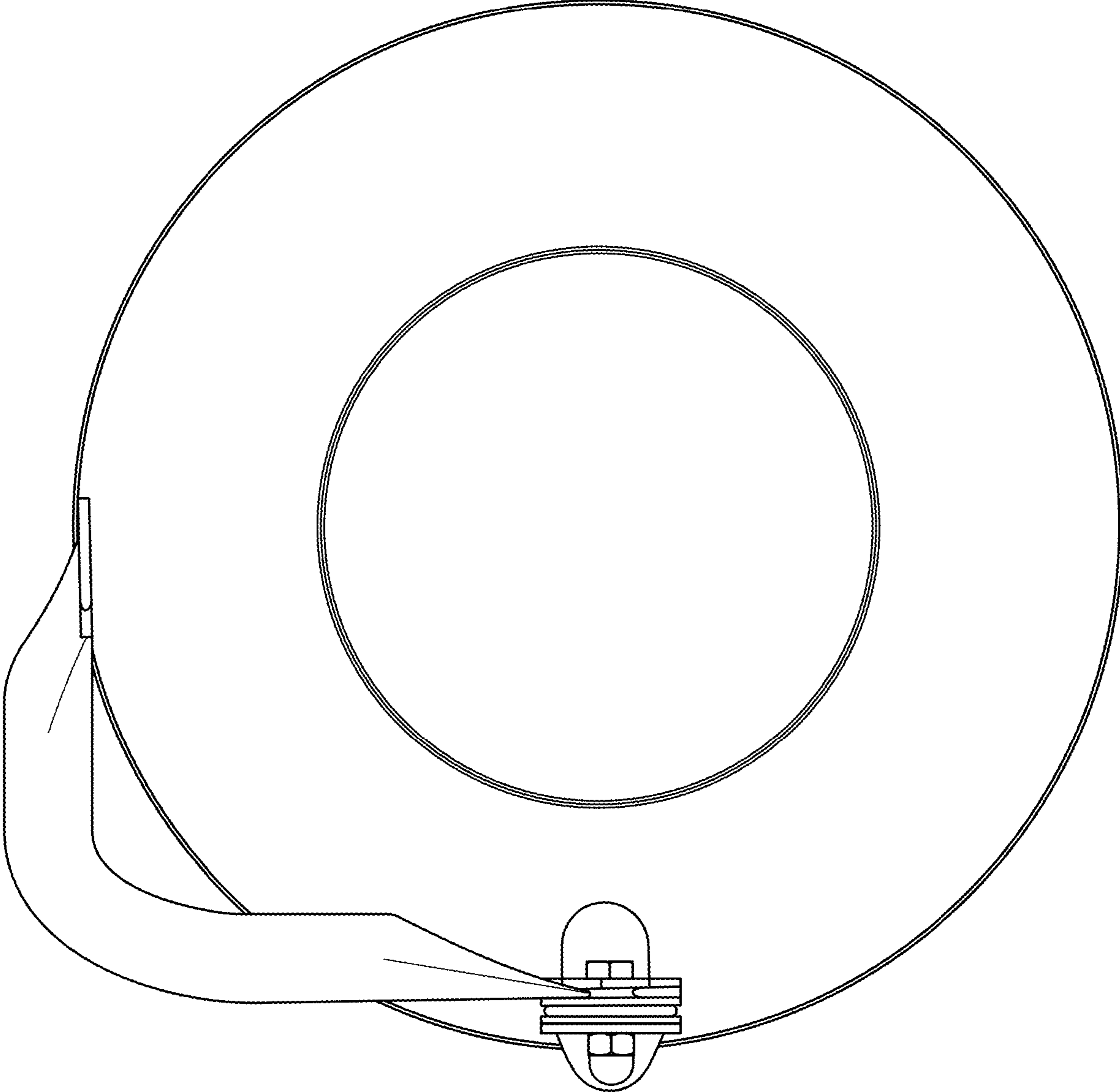


FIG. 5

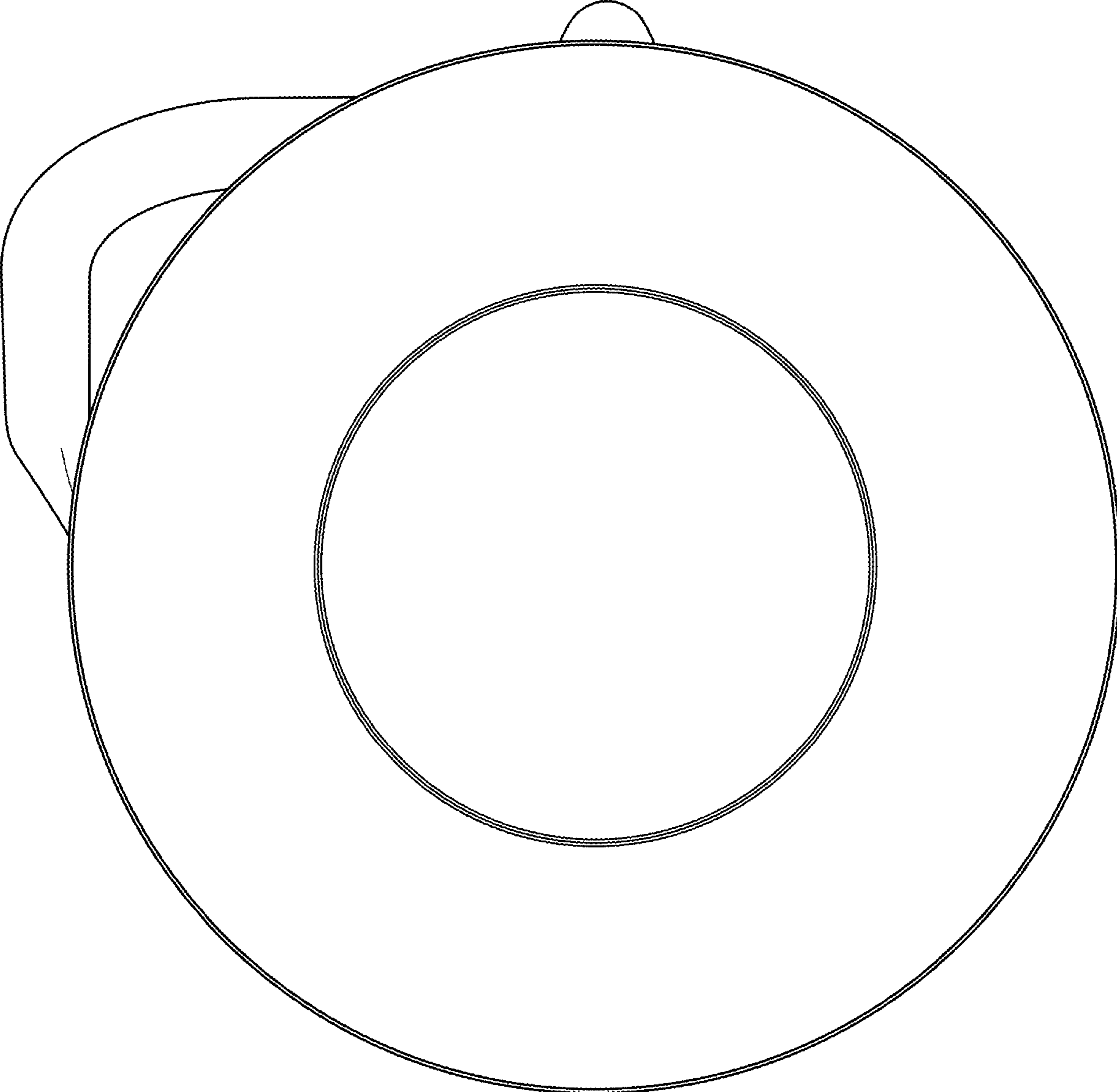


FIG. 6

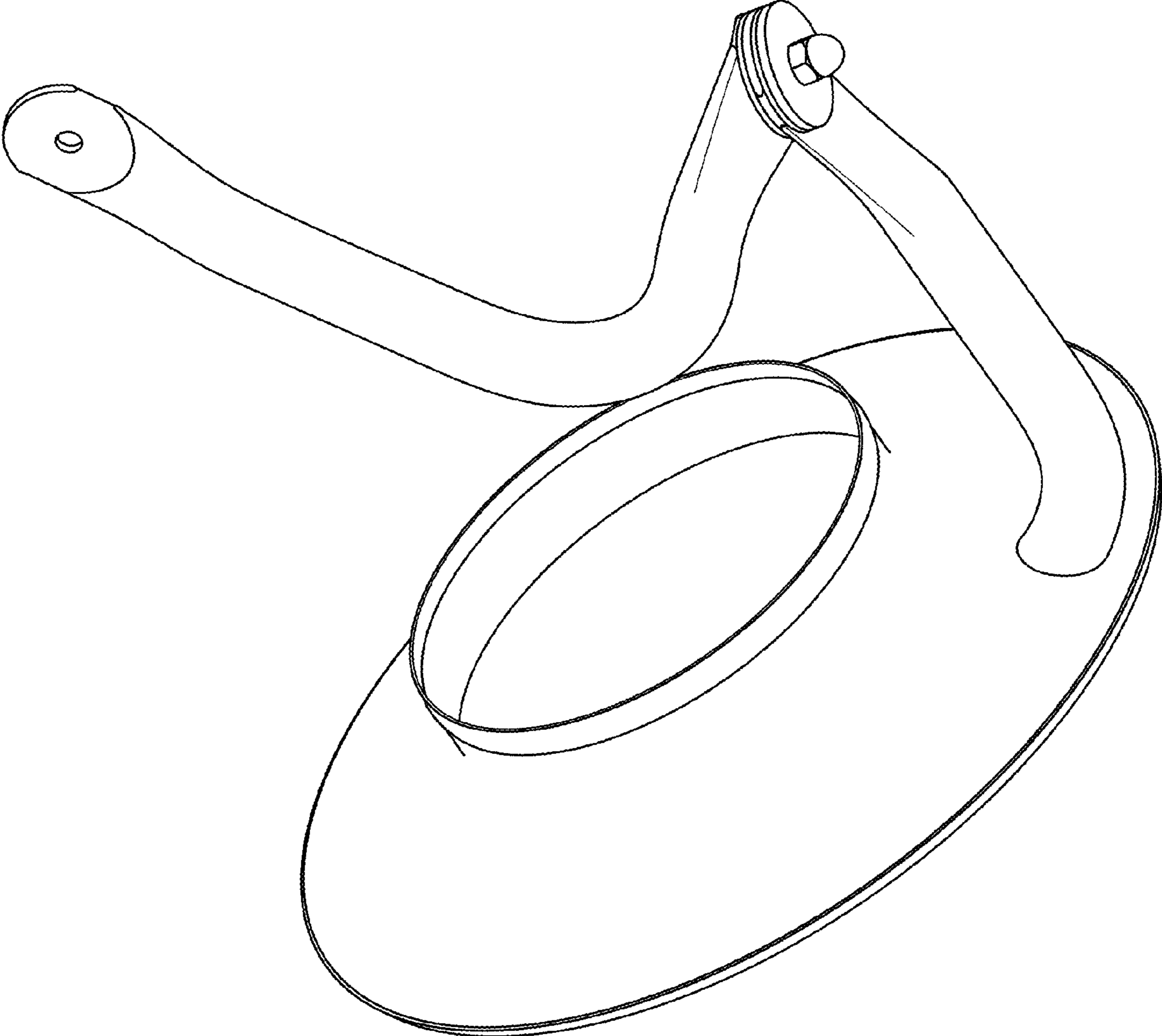


FIG. 7