



US00D900298S

(12) **United States Design Patent** (10) **Patent No.:** **US D900,298 S**
Hedlund et al. (45) **Date of Patent:** **** Oct. 27, 2020**

(54) **COMBINED VENTILATION HOOD AND ARM**

(71) Applicant: **FUMEX AB**, Skellefteå (SE)

(72) Inventors: **Lars Hedlund**, Skellefteå (SE); **Tomas Bellgran**, Skellefteå (SE); **Gustav Stenberg**, Skellefteå (SE); **Patrik Andersson**, Boliden (SE); **Petter Arnqvist Eriksson**, Skellefteå (SE)

(73) Assignee: **FUMEX AB**, Skellefteå (SE)

(**) Term: **15 Years**

(21) Appl. No.: **29/672,848**

(22) Filed: **Dec. 10, 2018**

(30) **Foreign Application Priority Data**

Jun. 11, 2018 (EM) 005306339-0002

(51) **LOC (12) Cl.** **23-01**

(52) **U.S. Cl.**
USPC **D23/393**

(58) **Field of Classification Search**
USPC D23/263, 266, 393, 394; D24/232, 177;
D14/452; D26/65; D12/194; D15/5
CPC B08B 15/00; B08B 15/04; F16L 27/08;
F16D 13/04; E04G 3/00; F16M 11/12
See application file for complete search history.

(56) **References Cited**

U.S. PATENT DOCUMENTS

961,552 A * 6/1910 Stouffer F16M 11/10
403/84
1,063,220 A * 6/1913 Seamon F16M 11/12
248/278.1

(Continued)

FOREIGN PATENT DOCUMENTS

CN 305149505 * 12/2018
CN 305149507 * 12/2018

(Continued)

OTHER PUBLICATIONS

Extractor arm, announced Date unavailable[online], [site visited Apr. 29, 2020]. Available from internet, URL:<https://movexinc.com/local-extractors-us/pss/> (Year: 2020).*

(Continued)

Primary Examiner — Barbara Fox

Assistant Examiner — Jamaal Rasheed

(74) *Attorney, Agent, or Firm* — Marshall, Gerstein & Borun LLP

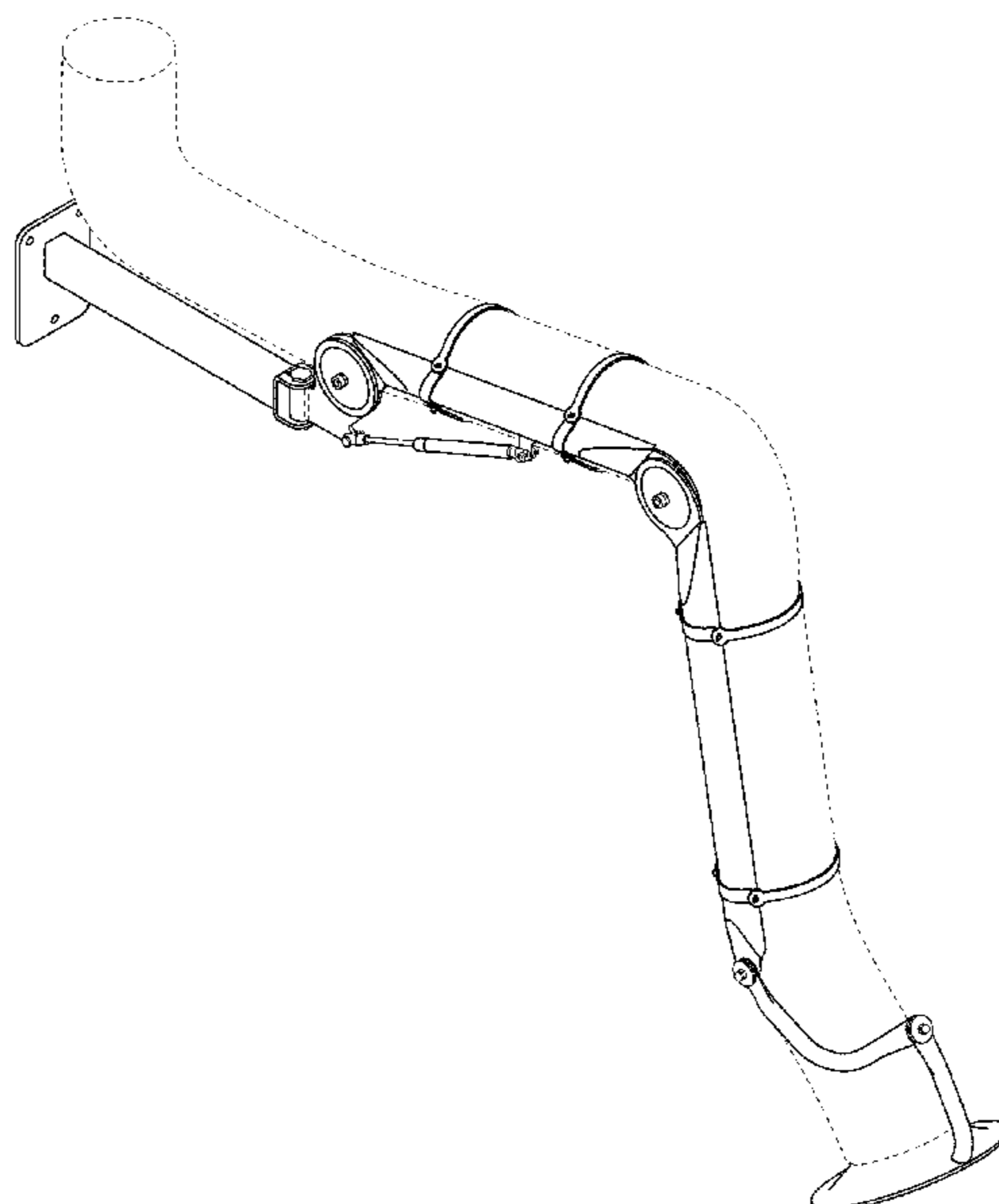
(57) **CLAIM**

The ornamental design for combined ventilation hood and arm, as shown and described.

DESCRIPTION

FIG. 1 is a left side elevation view of combined ventilation hood and arm of the present invention;
FIG. 2 is a right side elevation view of the invention illustrated in FIG. 1;
FIG. 3 is a rear elevation view of the invention illustrated in FIG. 1;
FIG. 4 is a front elevation view of the invention illustrated in FIG. 1;
FIG. 5 is a bottom view of the invention illustrated in FIG. 1;
FIG. 6 is a top view of the invention illustrated in FIG. 1; and,
FIG. 7 is a front, top, left perspective view of the invention illustrated in FIG. 1.
The broken lines in the drawings illustrate portions of the combined ventilation hood and arm and form no part of the claimed design.

1 Claim, 7 Drawing Sheets



(56)

References Cited

U.S. PATENT DOCUMENTS

1,733,107 A * 10/1929 Ahlberg A47B 19/00
108/137
1,894,390 A * 1/1933 Banks F16L 11/18
285/111
D233,990 S * 12/1974 Booth D24/177
4,541,327 A * 9/1985 Lundstrom B08B 15/002
248/75
5,181,294 A * 1/1993 Campbell B08B 15/002
15/315
5,222,906 A * 6/1993 Lundstrom B08B 15/002
454/64
5,264,026 A * 11/1993 Paul A61B 18/00
55/385.1
5,409,511 A * 4/1995 Paul A61B 18/00
55/383
5,738,148 A * 4/1998 Coral B08B 15/002
138/107
6,315,259 B1 * 11/2001 Kolb F16M 11/105
248/276.1
D478,392 S * 8/2003 Kovacik D26/65
6,837,468 B1 * 1/2005 Kantor F16M 11/06
248/278.1
D503,719 S * 4/2005 Lin D14/452
7,207,537 B2 * 4/2007 Hung F16M 11/10
248/274.1
D686,342 S * 7/2013 Peet D24/232
8,794,579 B2 * 8/2014 Sturman F16M 11/105
248/284.1
9,074,721 B2 * 7/2015 Lau F16M 13/02
9,163,763 B2 * 10/2015 Hedlund F16L 27/1275
D751,566 S * 3/2016 Anderson D14/452

9,656,309 B2 * 5/2017 Hedlund B08B 15/00
D796,519 S * 9/2017 Hung D14/452
D834,030 S * 11/2018 Lindo D14/452
D842,306 S * 3/2019 Lindo D14/452
D843,379 S * 3/2019 Lindo D14/452
D860,496 S * 9/2019 Waldmann D26/65
2005/0006542 A1 * 1/2005 Henning F16M 11/40
248/274.1
2009/0283382 A1 * 11/2009 Hedlund F16L 27/0849
192/70.22
2010/0297924 A1 * 11/2010 Hedlund B08B 15/00
454/64
2013/0196585 A1 * 8/2013 Hedlund F16L 27/0861
454/63
2013/0203331 A1 * 8/2013 Hedlund B08B 15/04
454/63
2019/0049045 A1 * 2/2019 Stenberg F16L 43/02

FOREIGN PATENT DOCUMENTS

EM 005306339-0001 * 6/2018
EM 005306339-0002 * 6/2018

OTHER PUBLICATIONS

Chemical Fume Extraction Arm, announced Date unavailable[online], [site visited Apr. 29, 2020]. Available from internet, URL:<<https://www.systech-design.com/product/chemical-fume-extraction-arm-w-gas-spring/>> (Year: 2020).*

PR, announced Date unavailable[online], [site visited Apr. 29, 2020]. Available from internet, URL:<<https://fumex.com/local-extractors/pr/>> (Year: 2020).*

* cited by examiner

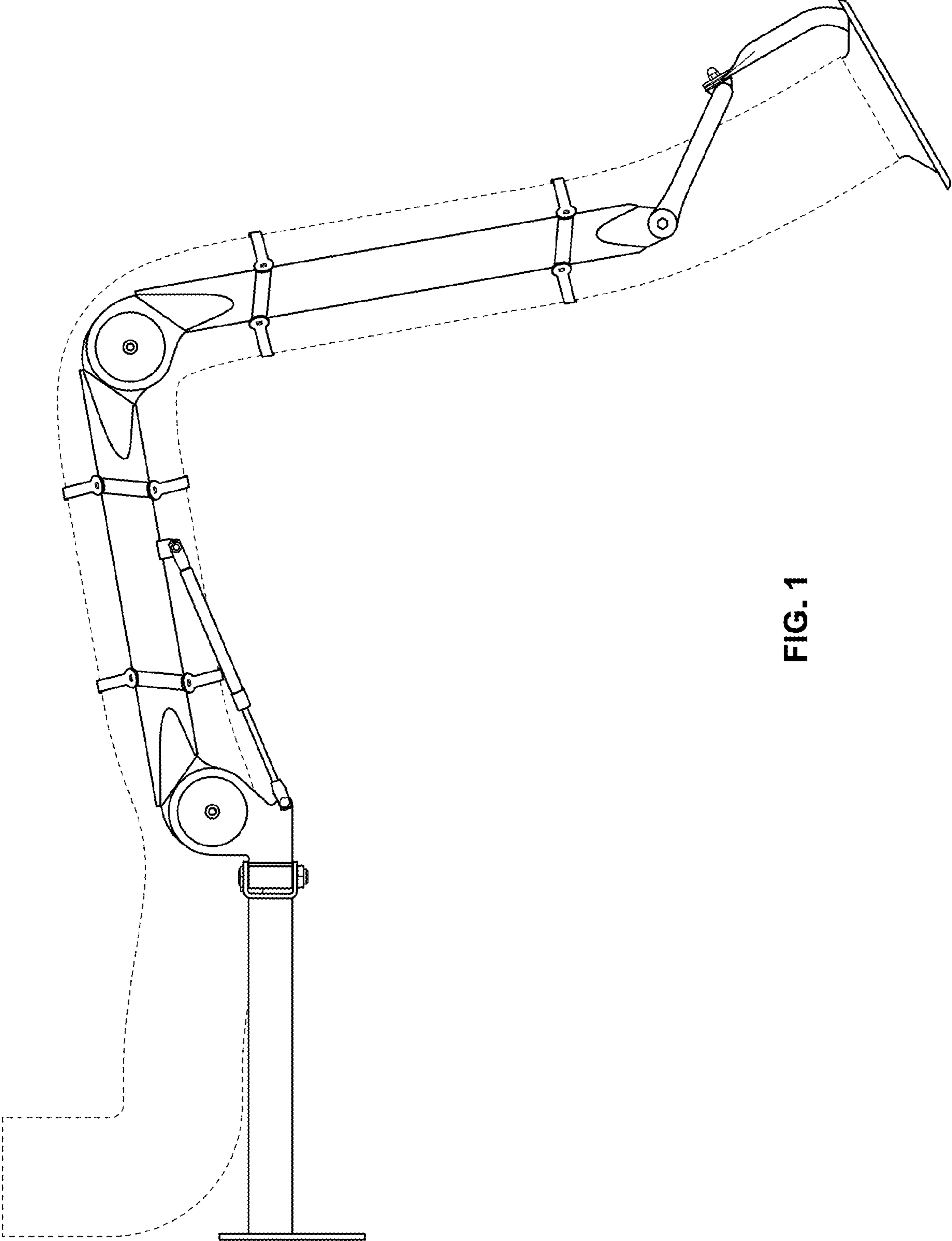


FIG. 1

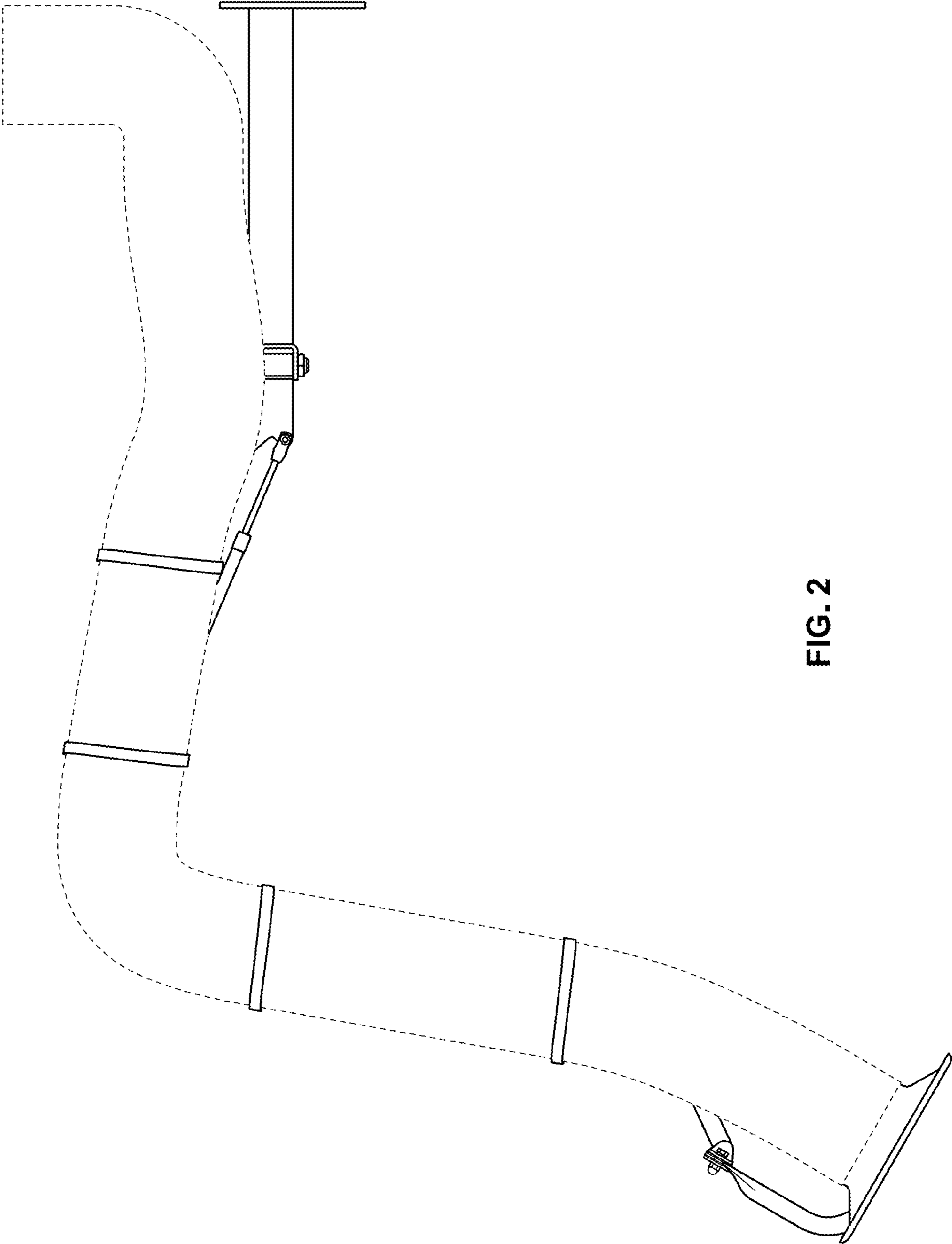


FIG. 2

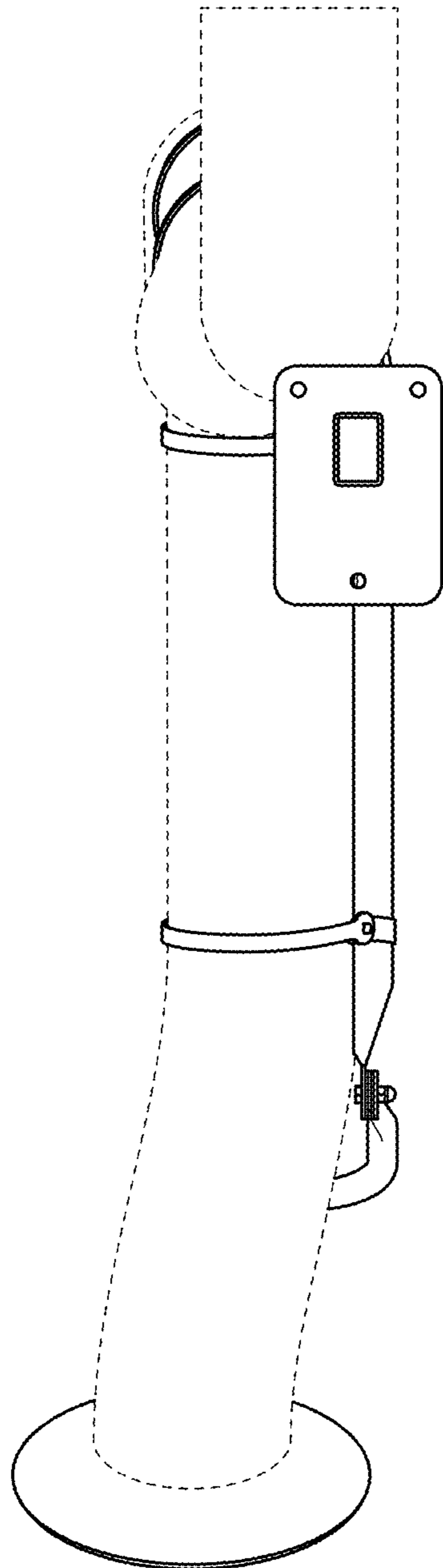


FIG. 3

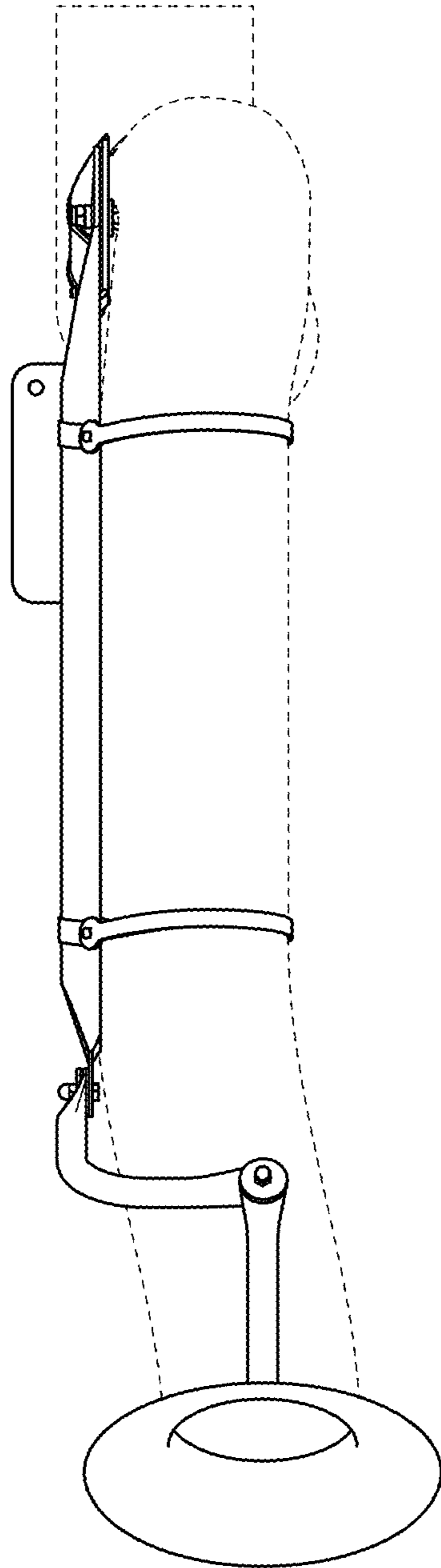


FIG. 4

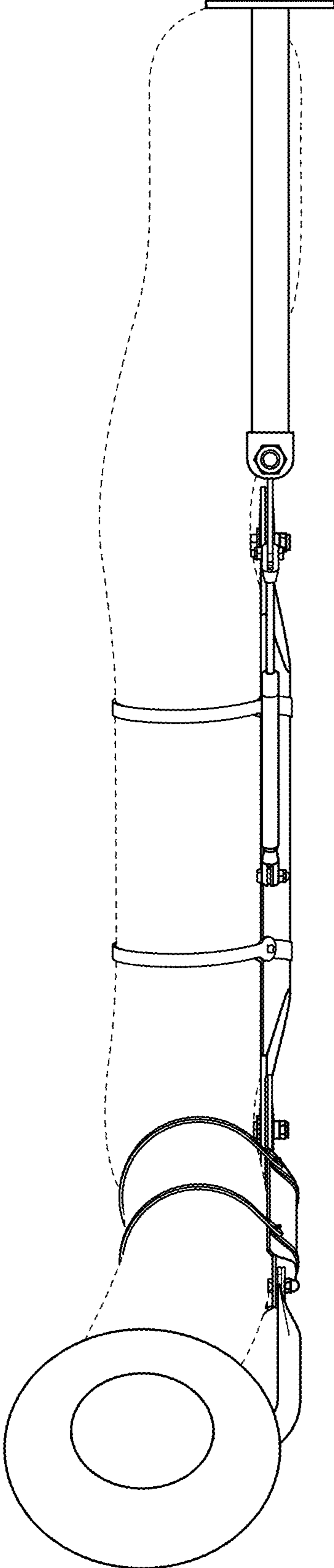


FIG. 5

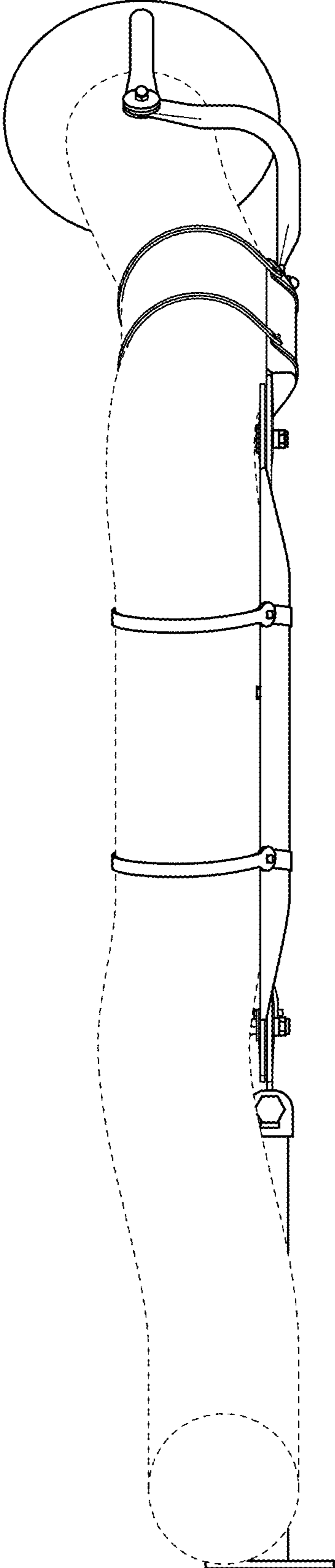


FIG. 6

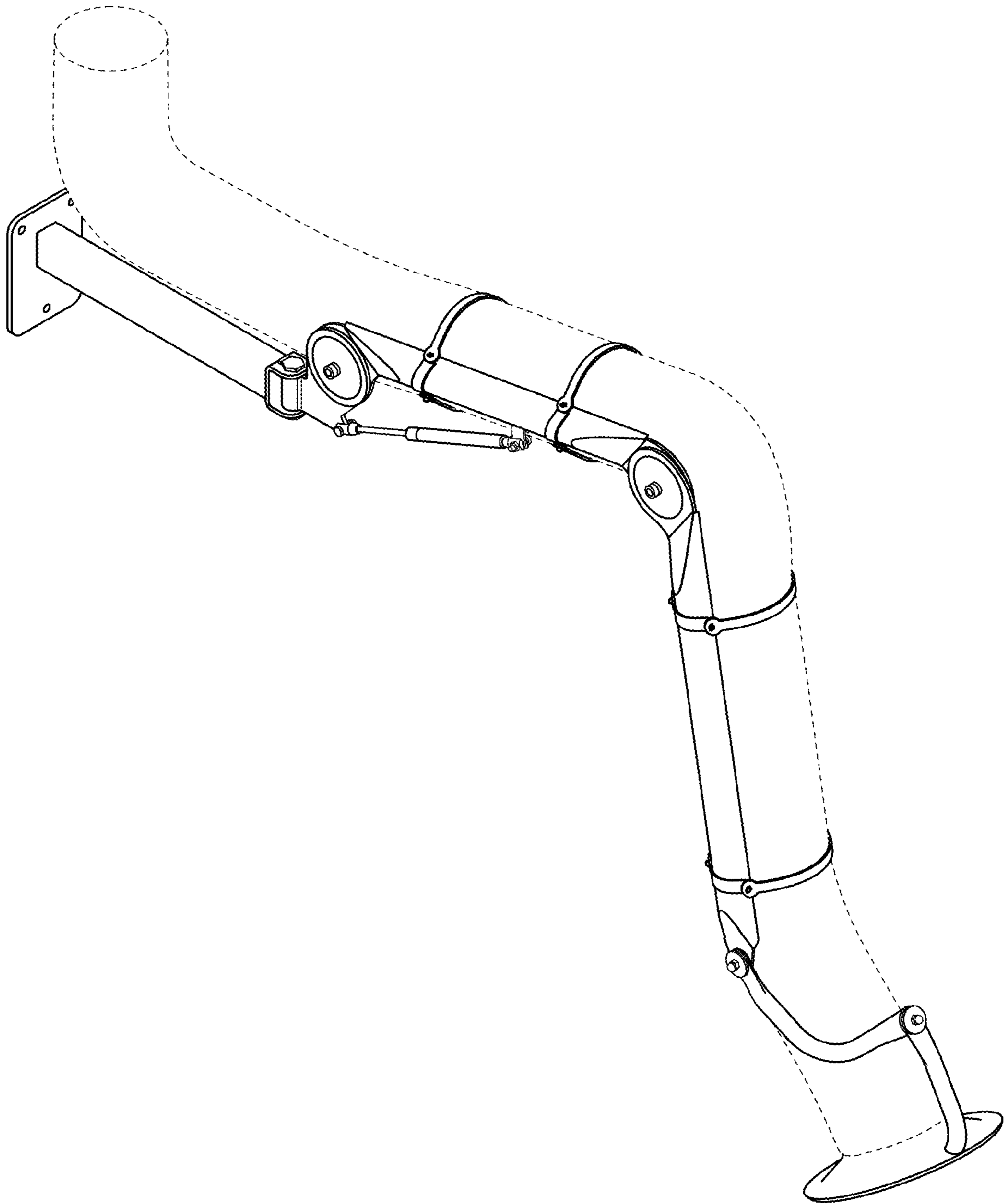


FIG. 7