



US00D900296S

(12) **United States Design Patent**
Johnson

(10) **Patent No.:** **US D900,296 S**

(45) **Date of Patent:** **** Oct. 27, 2020**

(54) **CEILING FAN**

(71) Applicant: **Quorum International, Inc.**, Fort Worth, TX (US)

(72) Inventor: **Aaron M. Johnson**, Austin, TX (US)

(73) Assignee: **Quorum International, Inc.**, Fort Worth, TX (US)

(**) Term: **15 Years**

(21) Appl. No.: **29/672,494**

(22) Filed: **Dec. 6, 2018**

(51) **LOC (12) Cl.** **23-04**

(52) **U.S. Cl.**
USPC **D23/377**

(58) **Field of Classification Search**
USPC D23/377, 370–376, 378–394, 411–414, D23/499; D26/51, 59, 72, 79, 92, 124; D13/115; D15/1
CPC F04D 25/088; F04D 29/322; F04D 29/324; F04D 29/388; F04D 29/601
See application file for complete search history.

(56) **References Cited**

U.S. PATENT DOCUMENTS

501,355	A	7/1893	Myers	
556,914	A	3/1896	Bramwell	
581,613	A	4/1897	Pippin	
622,842	A	4/1899	Dietz	
716,658	A	12/1902	Benster	
1,377,328	A *	5/1921	Eggerth F03D 7/0224 416/53
4,427,342	A	1/1984	Sutz et al.	
D275,010	S *	8/1984	McLean D15/1
D477,393	S *	7/2003	Johnson D23/377
D485,897	S *	1/2004	Tai D23/377

D502,770	S *	3/2005	Hidalgo D23/377
D514,215	S *	1/2006	Hidalgo D23/377
D517,675	S *	3/2006	Young D23/377
D521,625	S *	5/2006	Young D23/377
D522,643	S *	6/2006	Hidalgo D23/377
D528,645	S *	9/2006	Young D23/377
D542,905	S *	5/2007	Young D23/377
D785,155	S *	4/2017	Wang D23/377
D816,826	S *	5/2018	Johnson D23/377
10,465,693	B2 *	11/2019	Johnson F04D 25/088
2016/0146088	A1 *	5/2016	Richardson F04D 29/384 416/170 R
2017/0284405	A1 *	10/2017	Eggers F04D 25/088

* cited by examiner

Primary Examiner — Marie D. Fast Horse

(74) *Attorney, Agent, or Firm* — Whitaker Chalk Swindle & Schwartz PLLC; Charles Gunter

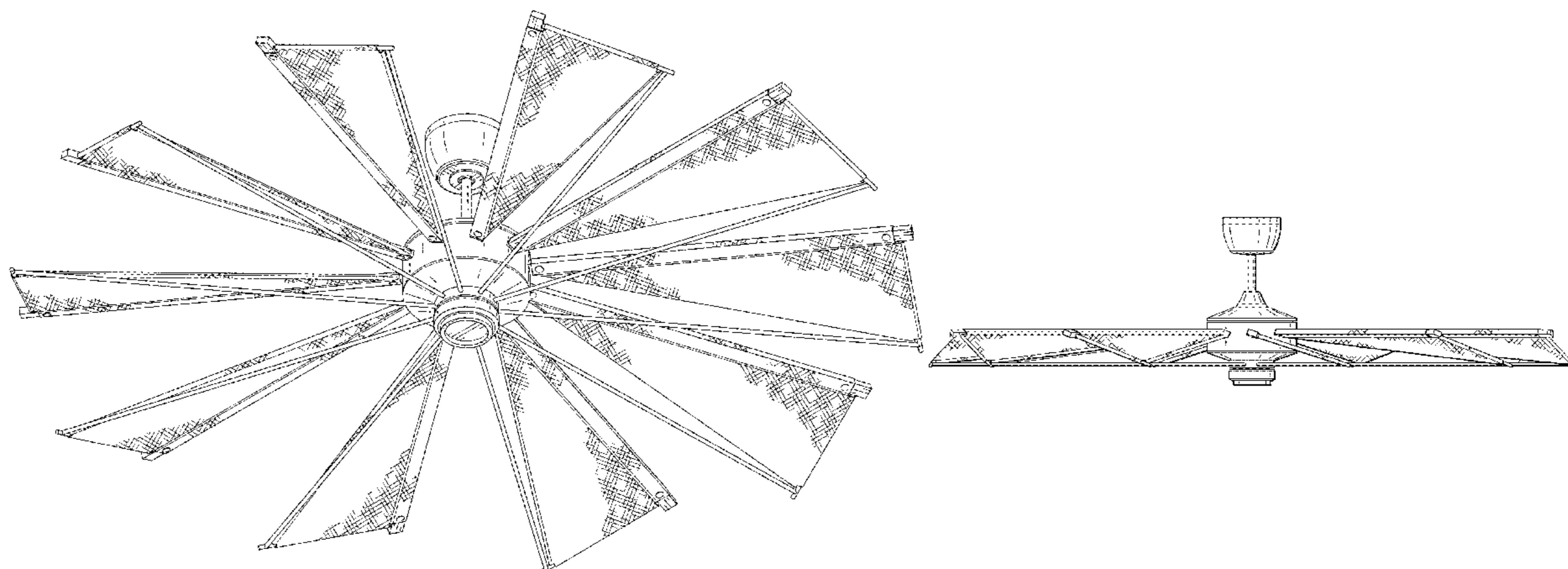
(57) **CLAIM**

The ornamental design for a ceiling fan, as shown and described.

DESCRIPTION

FIG. 1 is a bottom perspective view of a ceiling fan showing my new design;
 FIG. 2 is a front elevation view of the ceiling fan of FIG. 1;
 FIG. 3 is a rear elevation view of the ceiling fan of FIG. 1;
 FIG. 4 is a right side view of the ceiling fan of FIG. 1;
 FIG. 5 is a left side view of the ceiling fan of FIG. 1;
 FIG. 6 is a top plan view of the ceiling fan of FIG. 1;
 FIG. 7 is a bottom plan view of the ceiling fan of FIG. 1; and,
 FIG. 8 is a top perspective view of the ceiling fan of FIG. 1.
 The cross-hatch pattern which is fragmentarily shown in the figures is understood to repeat uniformly and continuously across the entire indicated blade areas.
 The broken lines in the drawings depict a portion of the ceiling fan that forms no part of the claimed design.

1 Claim, 6 Drawing Sheets



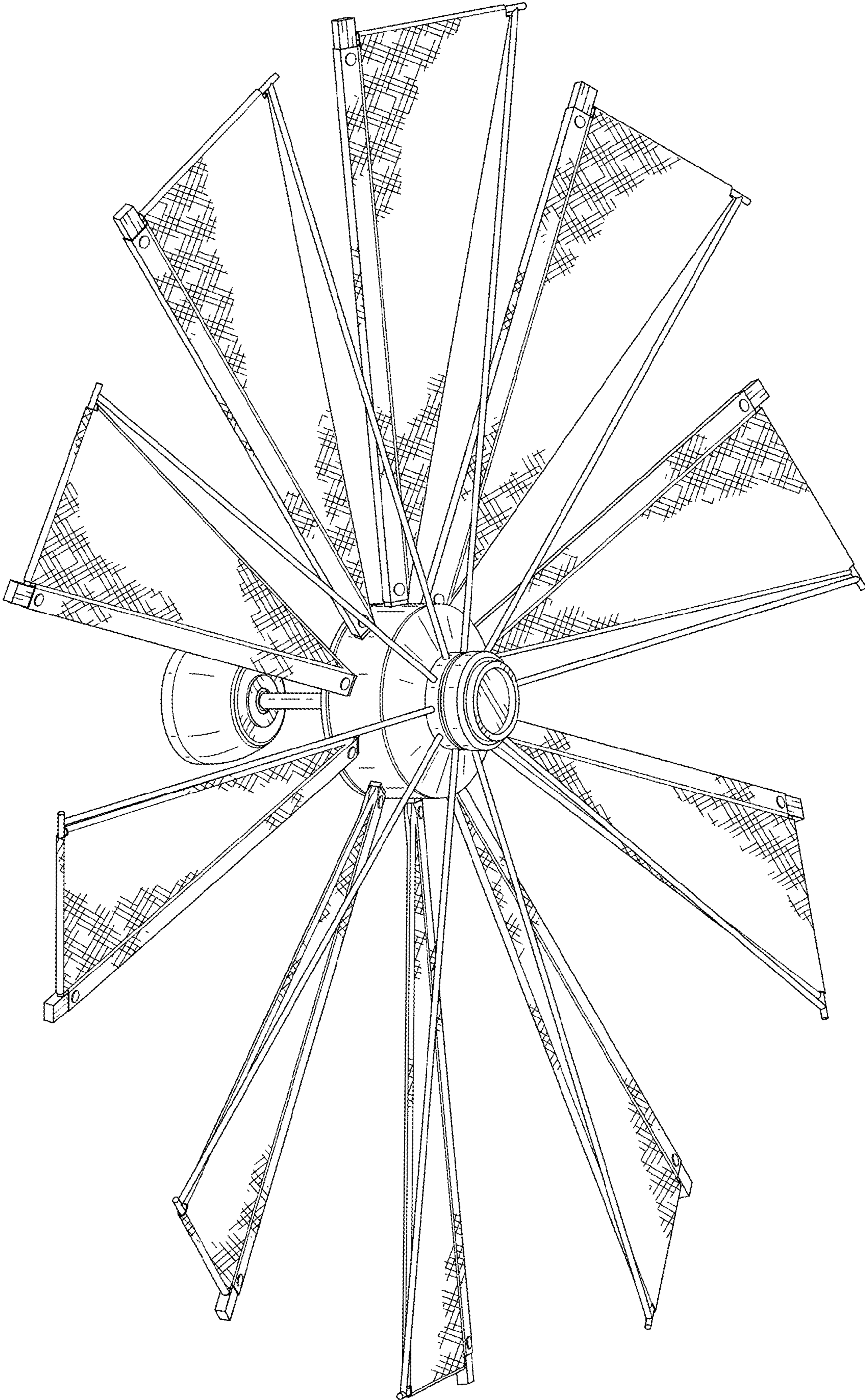


FIG. 1

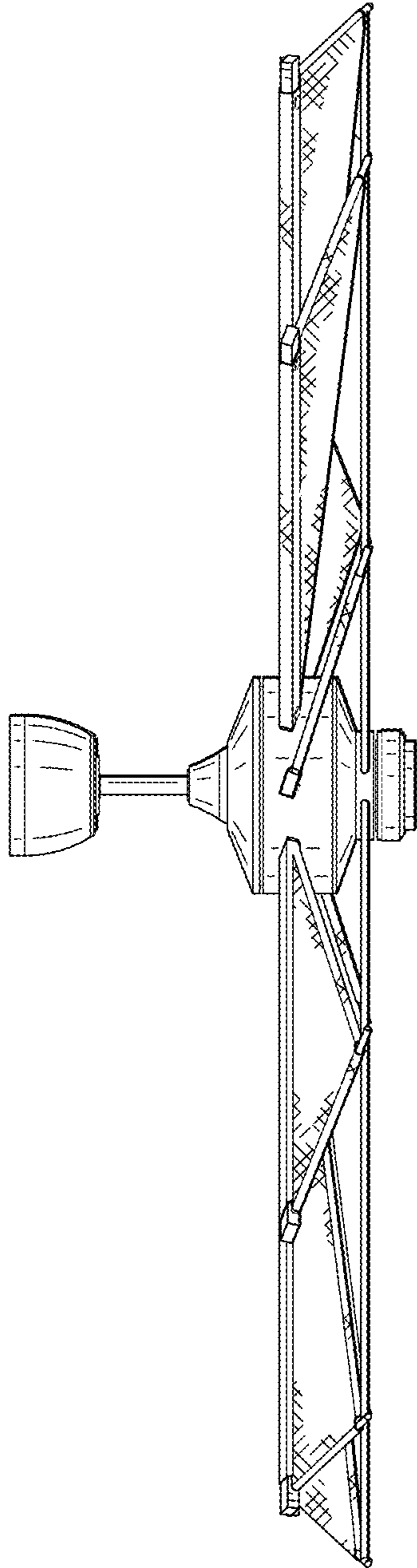


FIG. 2

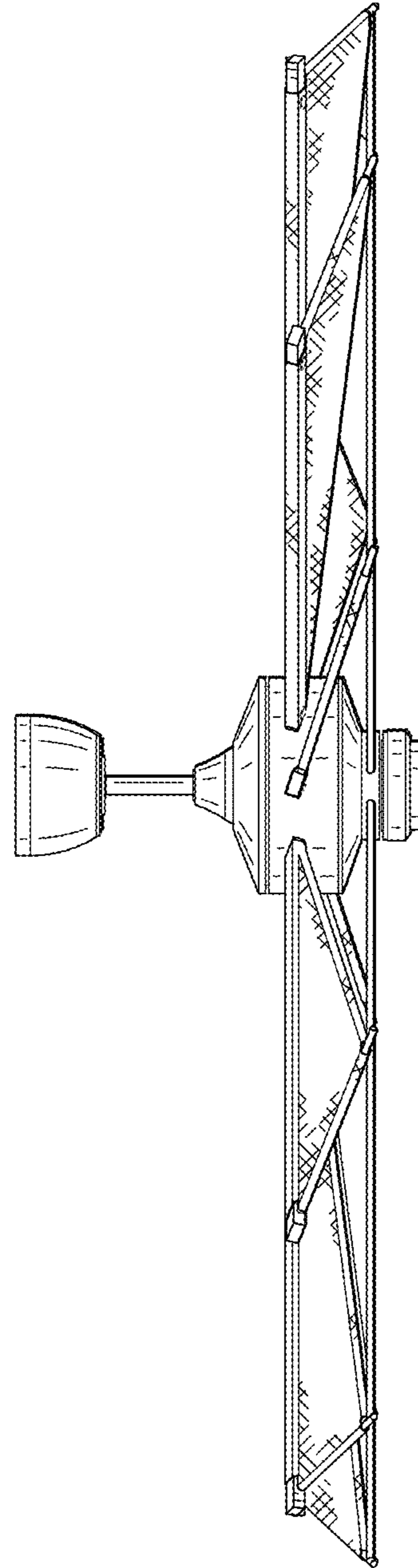


FIG. 3

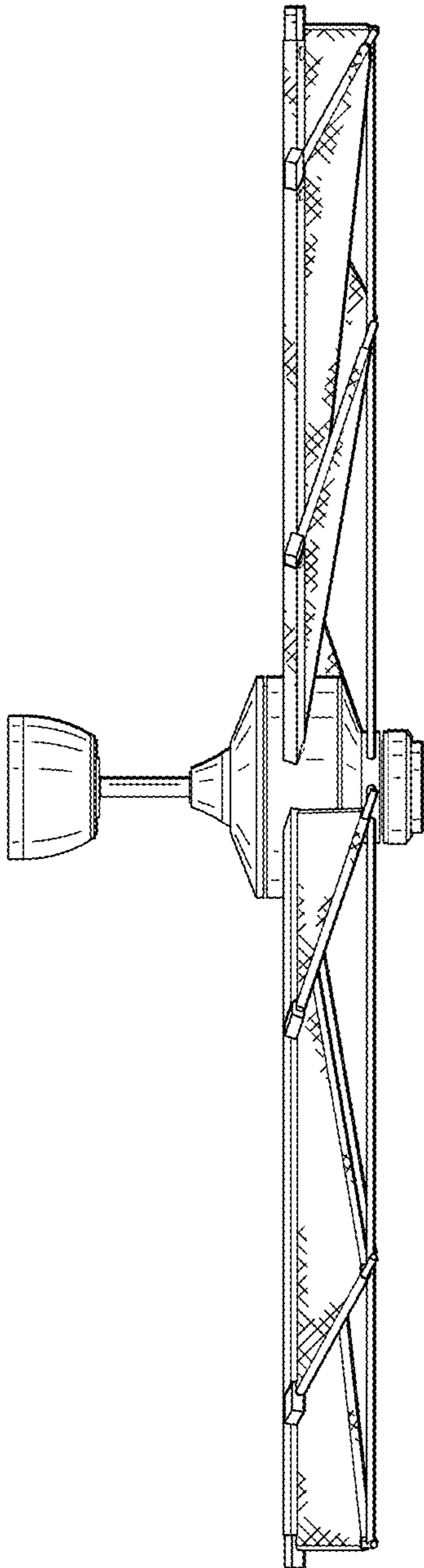


FIG. 4

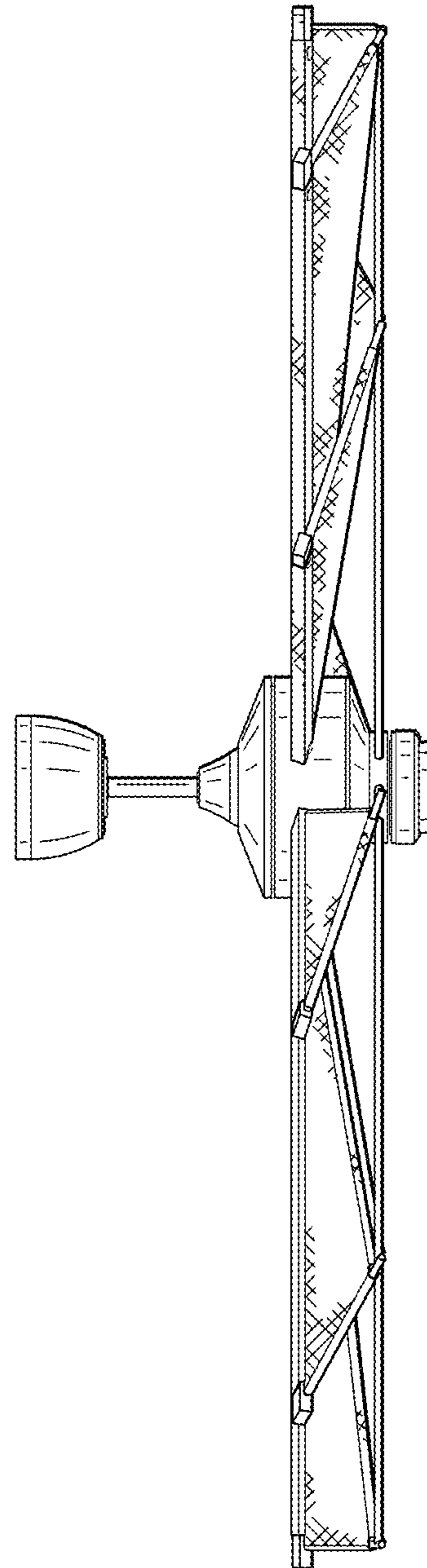


FIG. 5

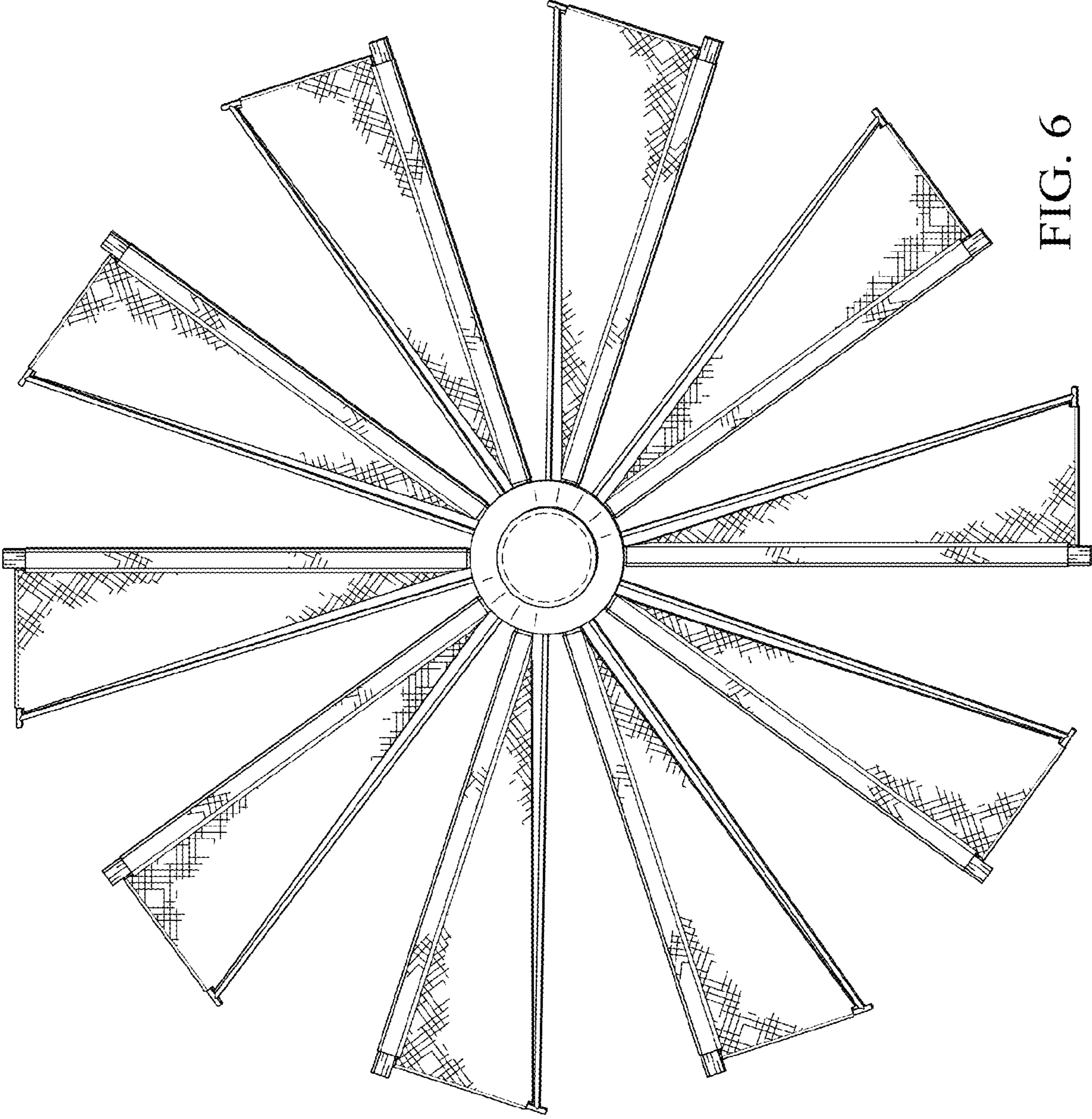


FIG. 6

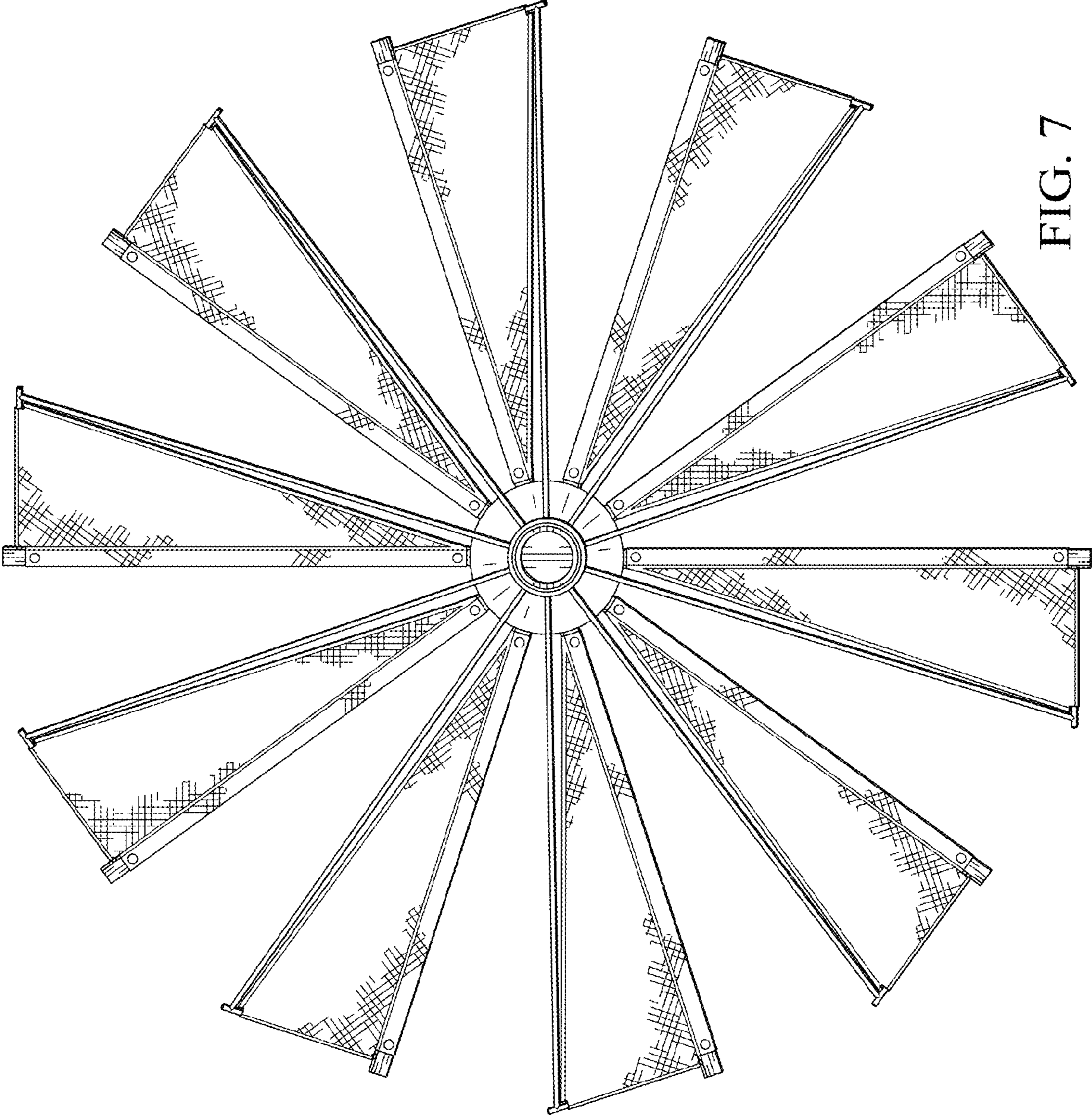


FIG. 7

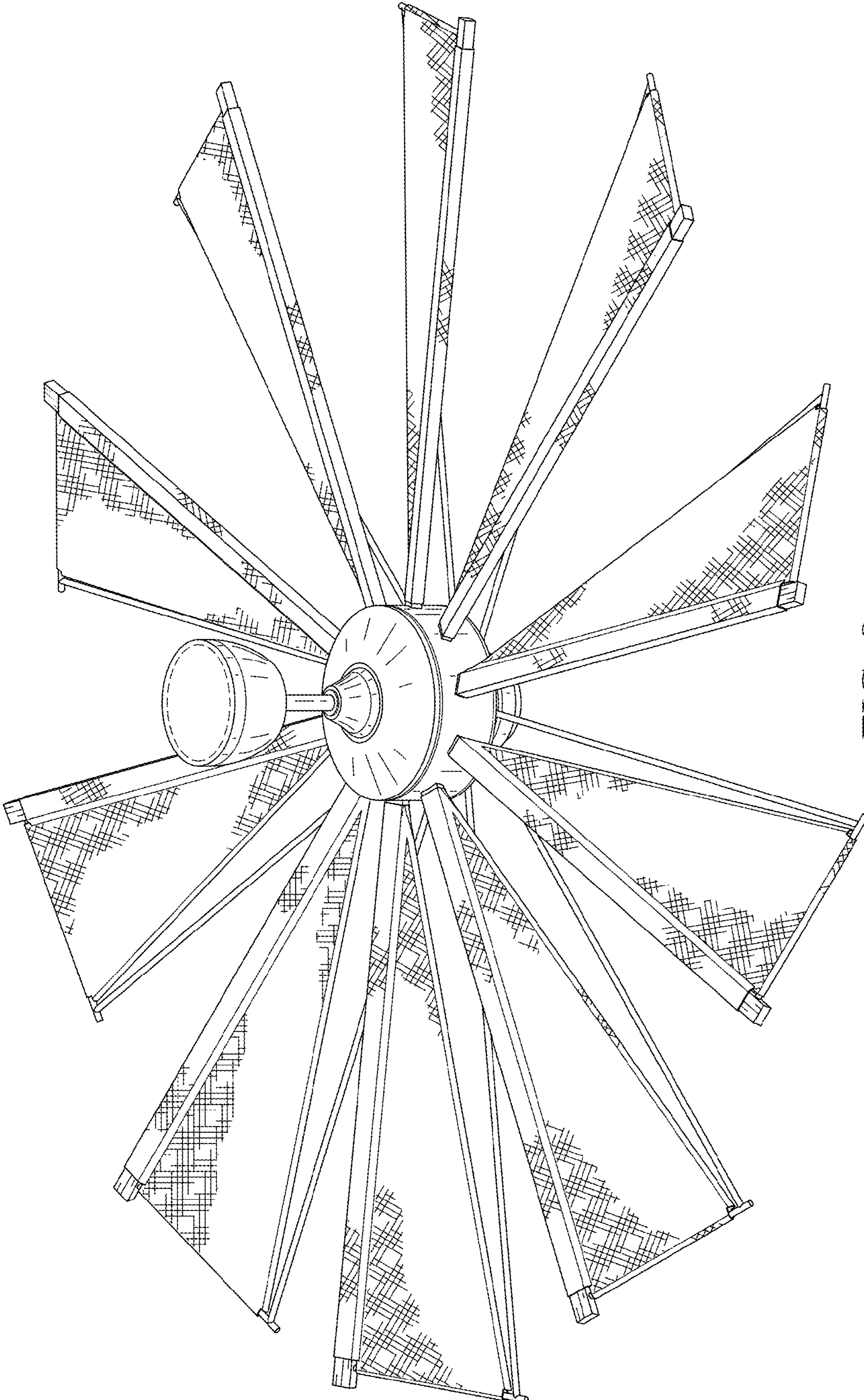


FIG. 8