



US00D900294S

(12) **United States Design Patent**
Pease et al.

(10) **Patent No.:** **US D900,294 S**

(45) **Date of Patent:** **** Oct. 27, 2020**

- (54) **FAN**
- (71) Applicant: **Vornado Air, LLC**, Andover, KS (US)
- (72) Inventors: **Gregory Pease**, Andover, KS (US);
Brian M. Cartwright, Wichita, KS (US);
Joshua S. Weed, Wichita, KS (US);
Cooper Phillips, Wichita, KS (US)
- (73) Assignee: **Vornado Air, LLC**, Andover, KS (US)
- (**) Term: **15 Years**
- (21) Appl. No.: **29/671,684**
- (22) Filed: **Nov. 29, 2018**
- (51) **LOC (12) Cl.** **23-04**
- (52) **U.S. Cl.**
USPC **D23/370**
- (58) **Field of Classification Search**
USPC D23/370–373, 376, 378, 379, 381–384,
D23/387, 393, 399, 200, 314, 333, 334,
D23/335, 351, 355, 359, 364, 365, 411,
D23/499
CPC F04D 25/08; F04D 25/084; F04D 29/40;
F04D 29/4226; F04D 29/52; F04D 19/00;
F04D 19/002; F04D 19/007
See application file for complete search history.

(56) **References Cited**

U.S. PATENT DOCUMENTS

- D151,311 S * 10/1948 Zeiler et al. D23/379
- D167,093 S * 6/1952 Moore D23/377
- D187,699 S * 4/1960 van Rijn D23/379
- 3,072,321 A * 1/1963 King, Jr. F04D 25/105
415/70
- 3,371,855 A * 3/1968 Bruns F04D 29/526
415/118
- D255,489 S * 6/1980 Kanarek D23/383

- D272,757 S * 2/1984 Fee D23/364
- D281,272 S * 11/1985 Lynch, Jr. D23/364
- D314,619 S * 2/1991 Beavers D23/383
- D325,628 S * 4/1992 Cho D23/370
- 5,295,811 A * 3/1994 Chiu F04D 25/08
248/127
- D346,019 S * 4/1994 Cheslock D23/370
- D392,735 S * 3/1998 Gonzales D23/382
- D400,242 S * 10/1998 Litvin D23/382
- D421,114 S * 2/2000 Lozzio D23/370
- D422,073 S * 3/2000 Lozzio D23/370
- D426,296 S * 6/2000 Blateri D23/370
- D433,497 S * 11/2000 Hotaling D23/382
- D444,222 S * 6/2001 Wilson, Jr. D23/382
- D444,552 S * 7/2001 Wang D23/382
- D480,466 S * 10/2003 Bucher D23/382
- D482,438 S * 11/2003 Barker D23/382
- D485,895 S * 1/2004 Melwani D23/370
- D509,582 S * 9/2005 Redetzke D23/411
- D513,434 S * 1/2006 Melwani D23/379
- D531,718 S * 11/2006 Bucher D23/382
- D538,421 S * 3/2007 Russak D23/382
- D571,448 S * 6/2008 Bucher D23/382

(Continued)

Primary Examiner — Marie D. Fast Horse

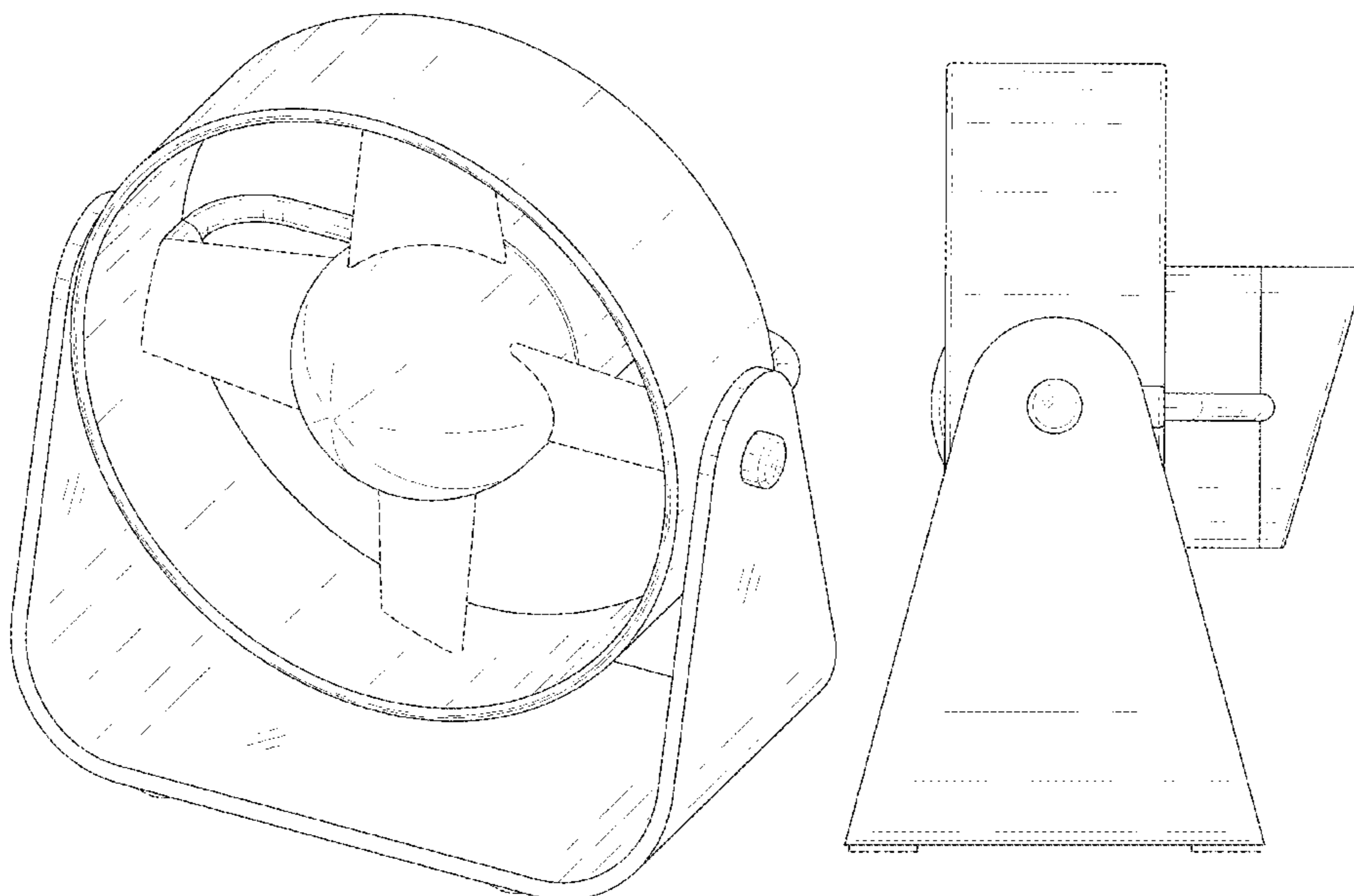
(57) **CLAIM**

An ornamental design for a fan, as shown and described.

DESCRIPTION

FIG. 1 is a right, front, top perspective view of a fan in accordance with the present invention; FIG. 2 is a front elevation view thereof; FIG. 3 is a rear elevation view thereof; FIG. 4 is a right side elevation view thereof; FIG. 5 is a left side elevation view thereof; FIG. 6 is a top plan view thereof; and, FIG. 7 is a bottom plan view thereof. The broken lines depict portions of the fan that form no part of the claim.

1 Claim, 7 Drawing Sheets



(56)

References Cited

U.S. PATENT DOCUMENTS

D589,604	S	*	3/2009	Hsu	D23/382
D597,639	S	*	8/2009	Chen Lee	D23/328
D605,280	S	*	12/2009	Chen	D23/382
D610,672	S	*	2/2010	Xiao	D23/382
D620,096	S	*	7/2010	Underwood	D23/379
D621,025	S	*	8/2010	Peterson	D23/382
D621,026	S	*	8/2010	Peterson	D23/382
D681,186	S	*	4/2013	Pan	D23/370
D710,487	S	*	8/2014	Lin	D23/355
D775,719	S	*	1/2017	Smith	D23/370
D780,301	S	*	2/2017	Cartwright	D23/332
D845,465	S	*	4/2019	Cui	D23/382
D854,141	S	*	7/2019	Cartwright	D23/370
D875,235	S	*	2/2020	Coleman	D23/382
D885,550	S	*	5/2020	Avedon	D23/370
2013/0309111	A1	*	11/2013	Mizuno	F04D 25/08 417/423.14

* cited by examiner

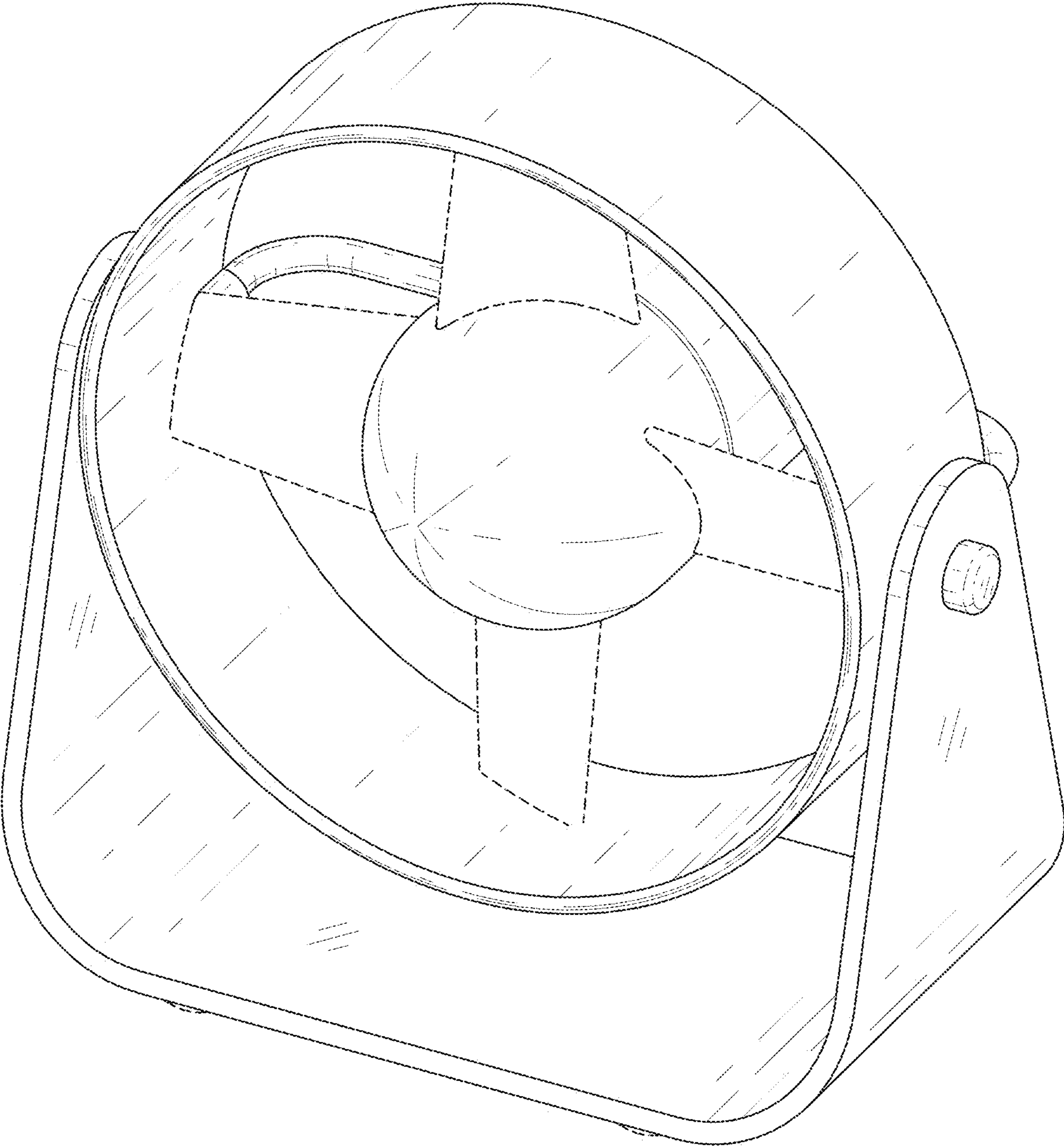


FIG. 1

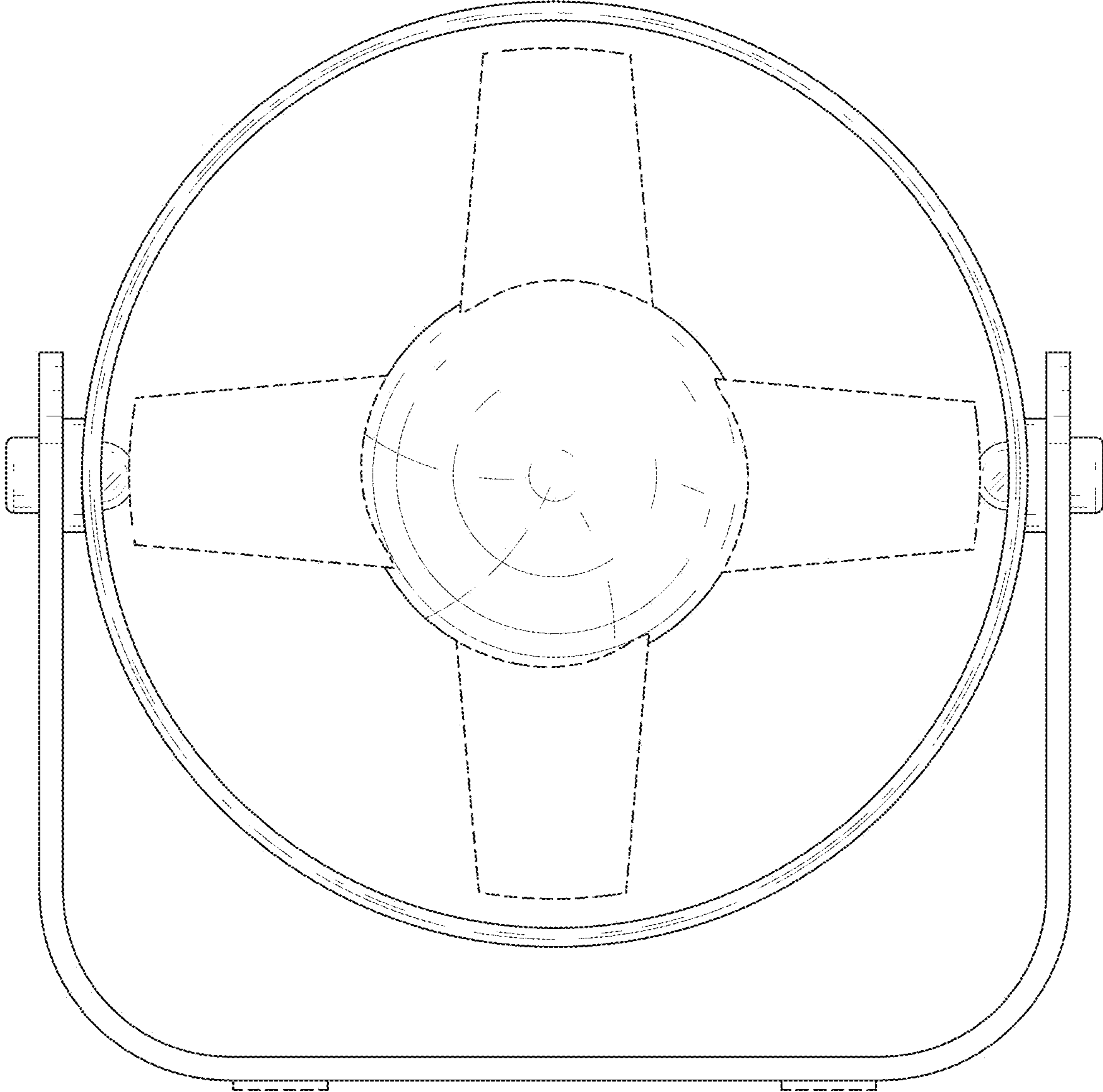


FIG. 2

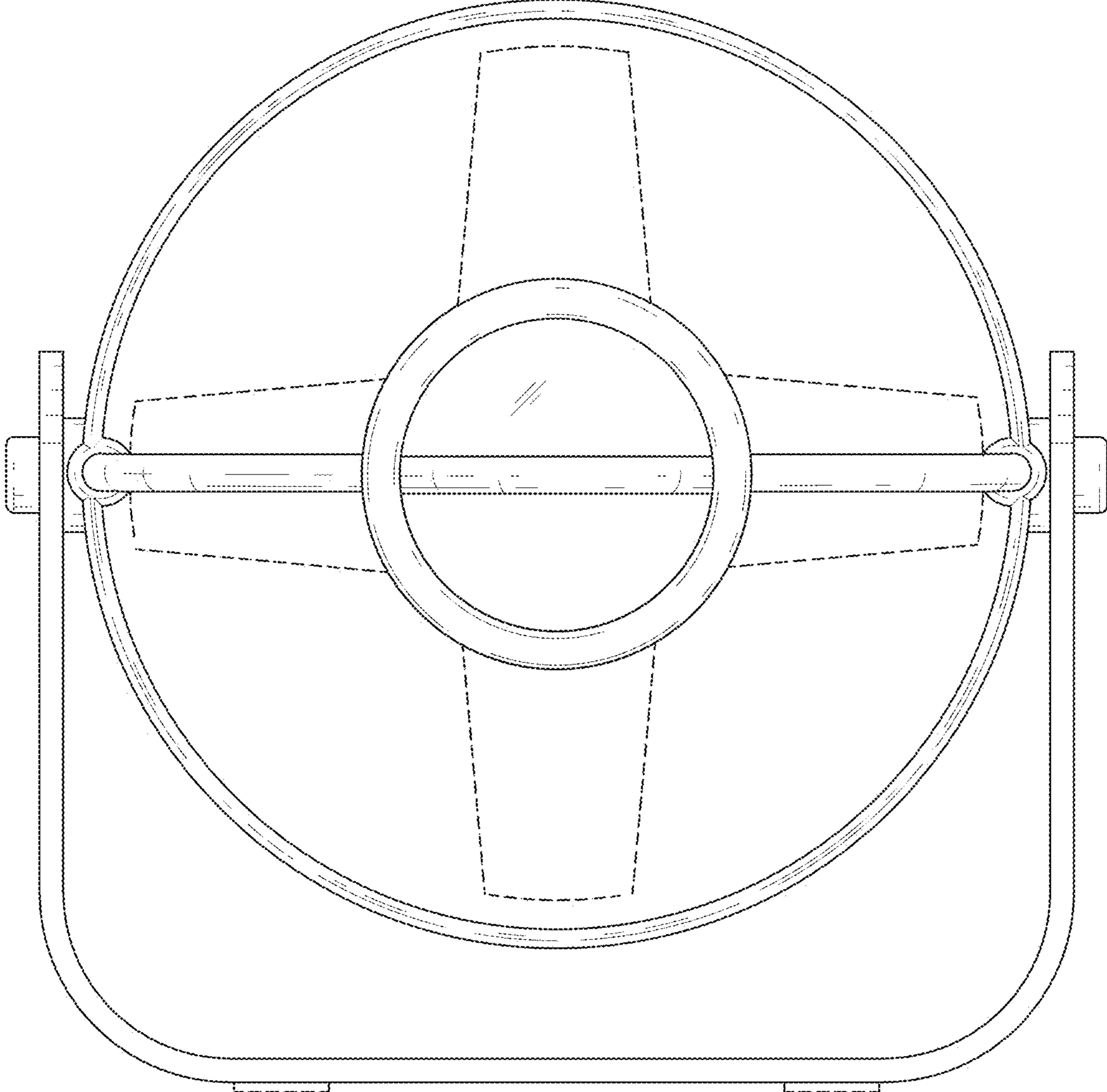


FIG. 3

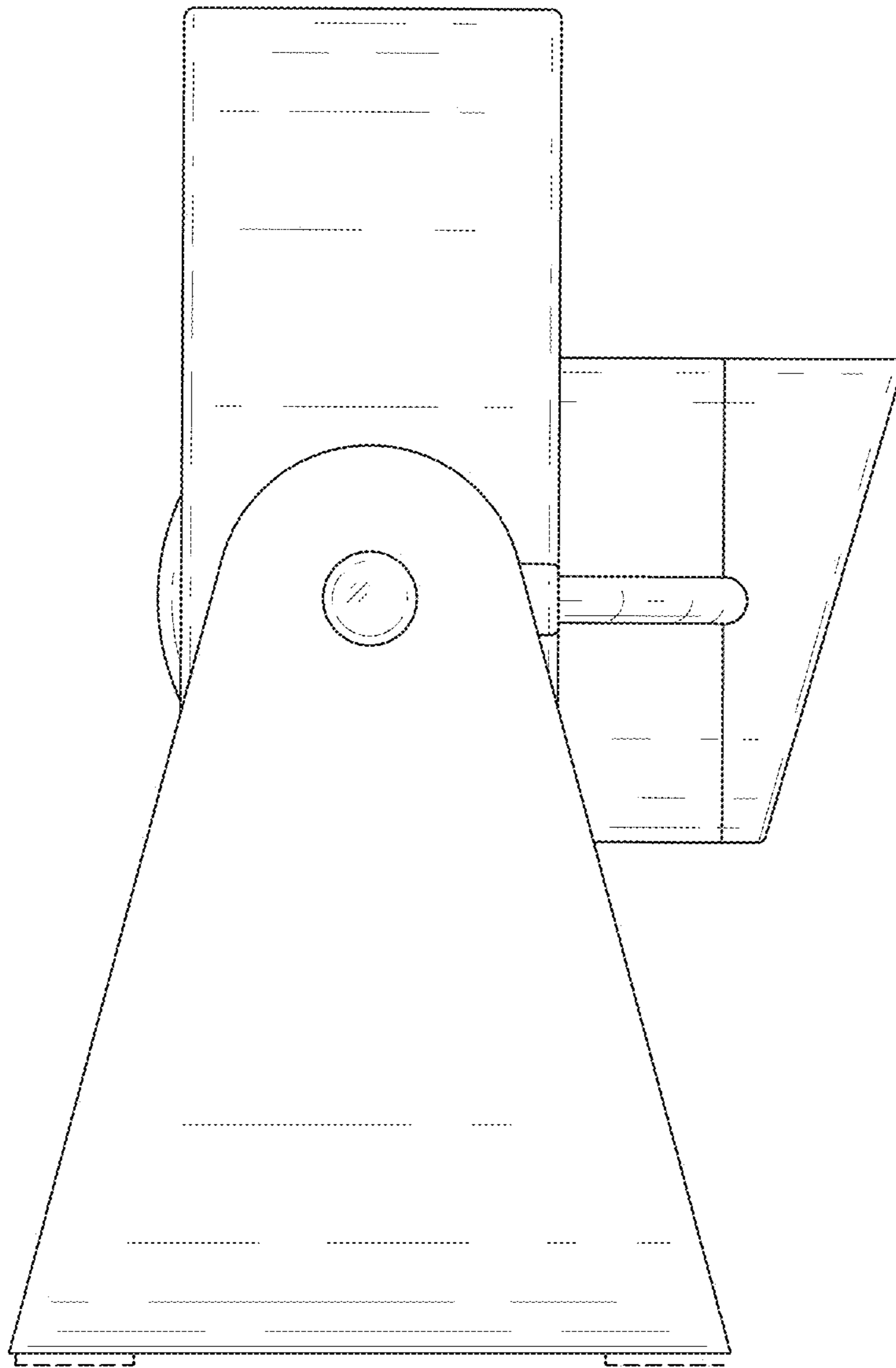


FIG. 4

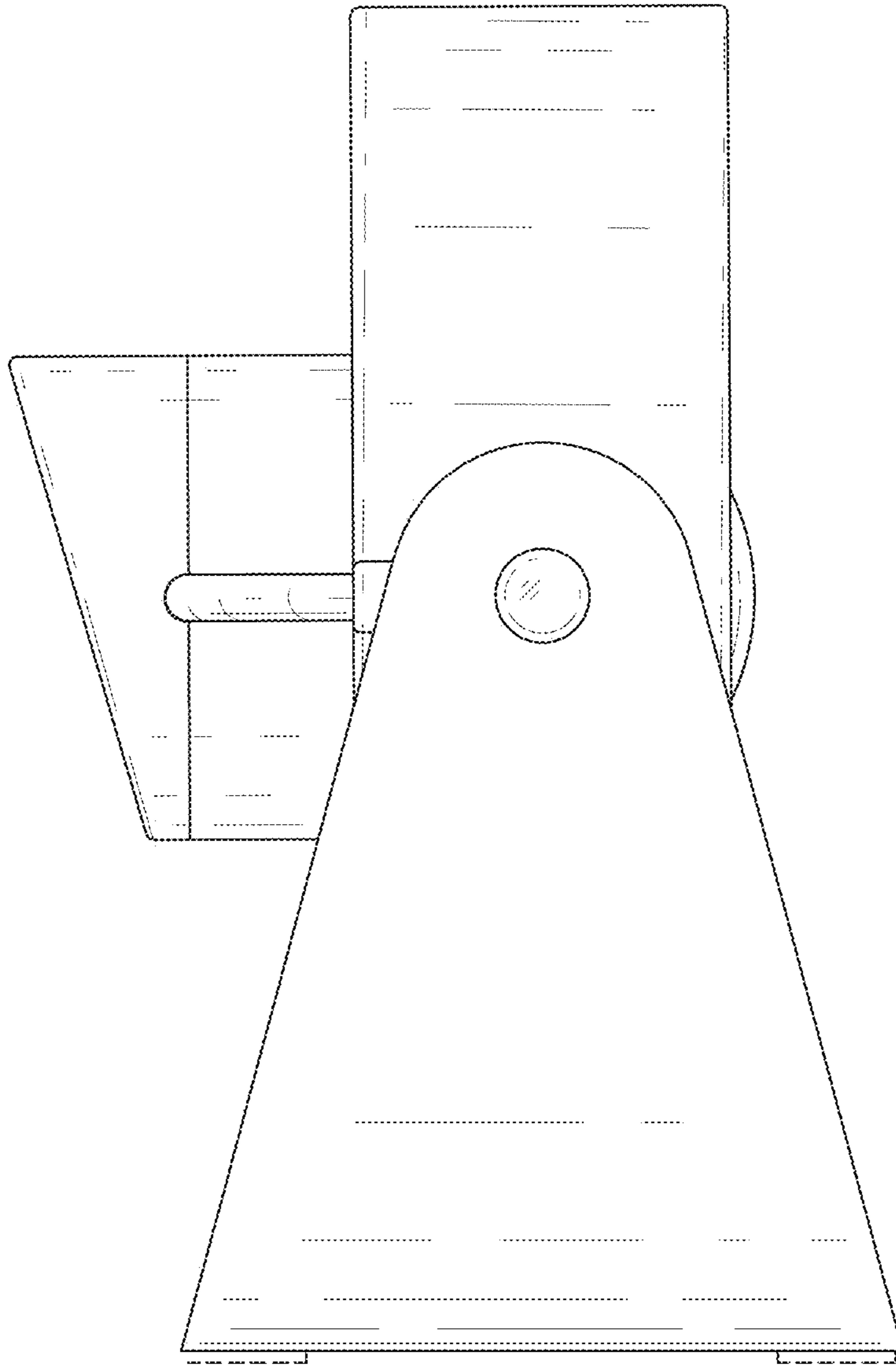


FIG. 5

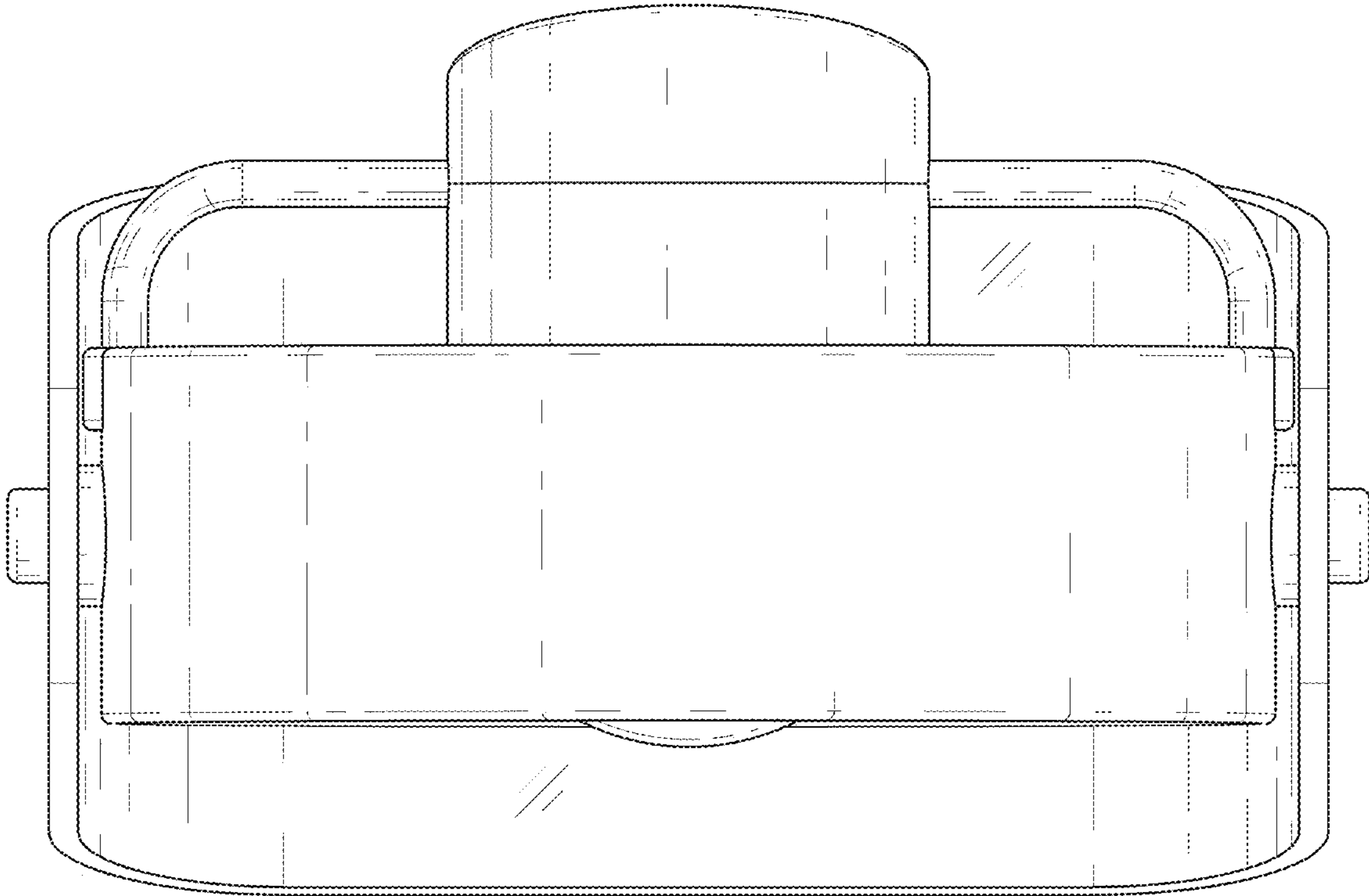


FIG. 6

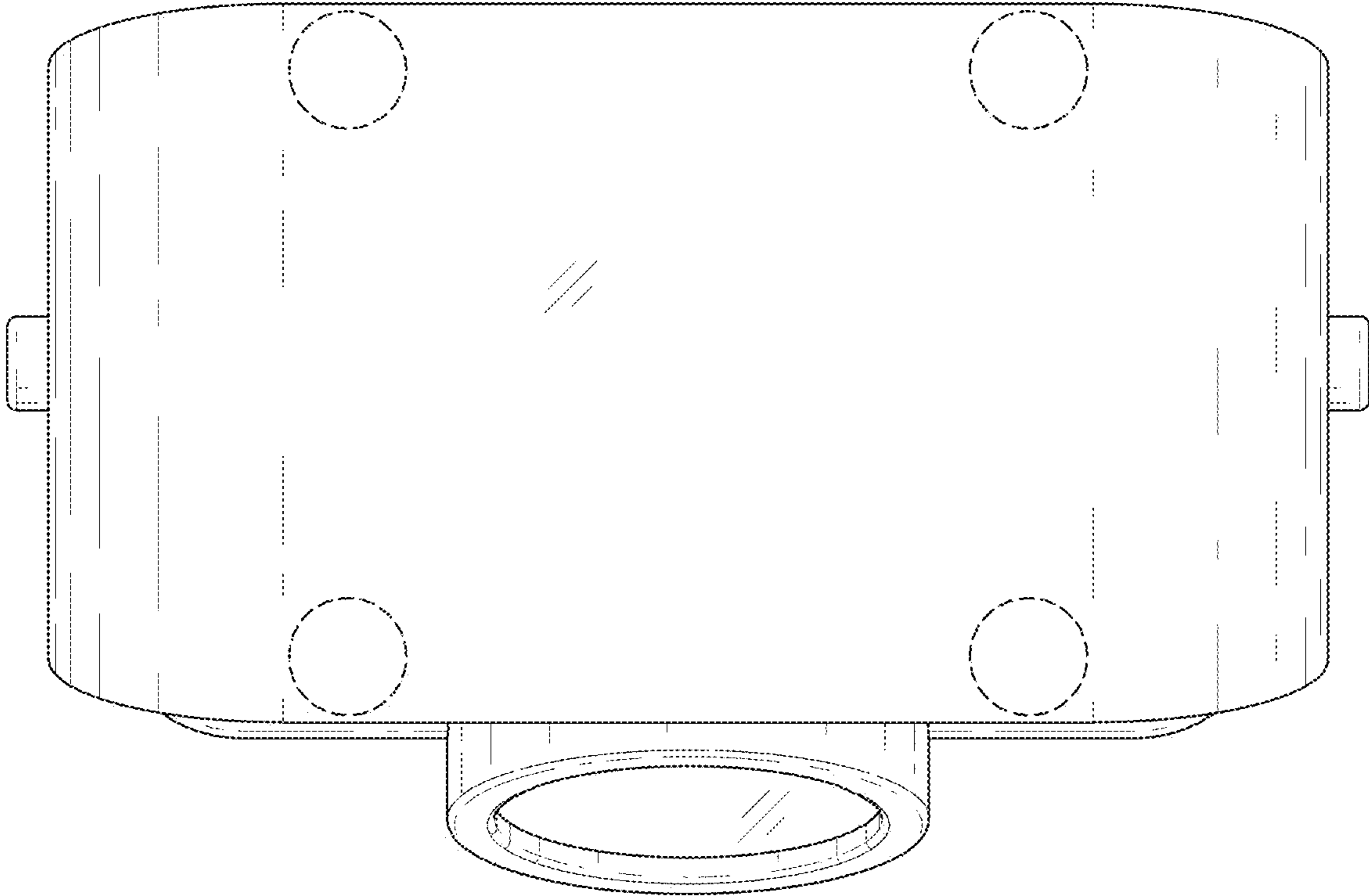


FIG. 7