



US00D900293S

(12) **United States Design Patent**
Ediger et al.

(10) **Patent No.:** **US D900,293 S**

(45) **Date of Patent:** **** Oct. 27, 2020**

- (54) **FAN**
- (71) Applicant: **Vornado Air, LLC**, Andover, KS (US)
- (72) Inventors: **Glen W. Ediger**, North Newton, KS (US); **Brian M. Cartwright**, Wichita, KS (US); **Gregory Pease**, Andover, KS (US)
- (73) Assignee: **Vornado Air, LLC**, Andover, KS (US)
- (**) Term: **15 Years**
- (21) Appl. No.: **29/669,671**
- (22) Filed: **Nov. 9, 2018**
- (51) **LOC (12) Cl.** **23-04**
- (52) **U.S. Cl.**
USPC **D23/370**
- (58) **Field of Classification Search**
USPC D23/370-373, 376, 378, 379, 381-384, D23/387, 393, 399, 200, 314, 333, 334, D23/335, 351, 355, 359, 364, 365, 411, D23/499
CPC F04D 25/08; F04D 25/084; F04D 29/40; F04D 29/4226; F04D 29/52; F04D 19/00; F04D 19/002; F04D 19/007
See application file for complete search history.

D169,007 S *	3/1953	Lindberg	D23/378
D181,416 S *	11/1957	Hewitt	D23/370
2,954,198 A *	9/1960	Lindberg	F04D 29/646
				248/185.1
3,481,534 A *	12/1969	Price	F04D 25/10
				415/146
D240,231 S *	6/1976	Patton	D23/382
D262,314 S *	12/1981	Patton	D23/382
D306,903 S *	3/1990	Shin-Chin	D23/382
4,927,324 A *	5/1990	Coup	F04D 25/08
				415/121.2
D312,124 S *	11/1990	Coup	D23/382
D325,628 S *	4/1992	Cho	D23/370
RE34,551 E *	2/1994	Coup	F04D 29/703
				415/121.2
5,295,811 A *	3/1994	Chiu	F04D 25/08
				248/127
D358,639 S *	5/1995	Chiu	D13/162
D372,527 S *	8/1996	Radtke	D23/381
D413,664 S *	9/1999	Keller	D23/381
D444,552 S *	7/2001	Wang	D23/382
D452,734 S *	1/2002	Blateri	D23/370

(Continued)

Primary Examiner — Maria D. Fast Horse

(57) **CLAIM**

An ornamental design for a fan, as shown and described.

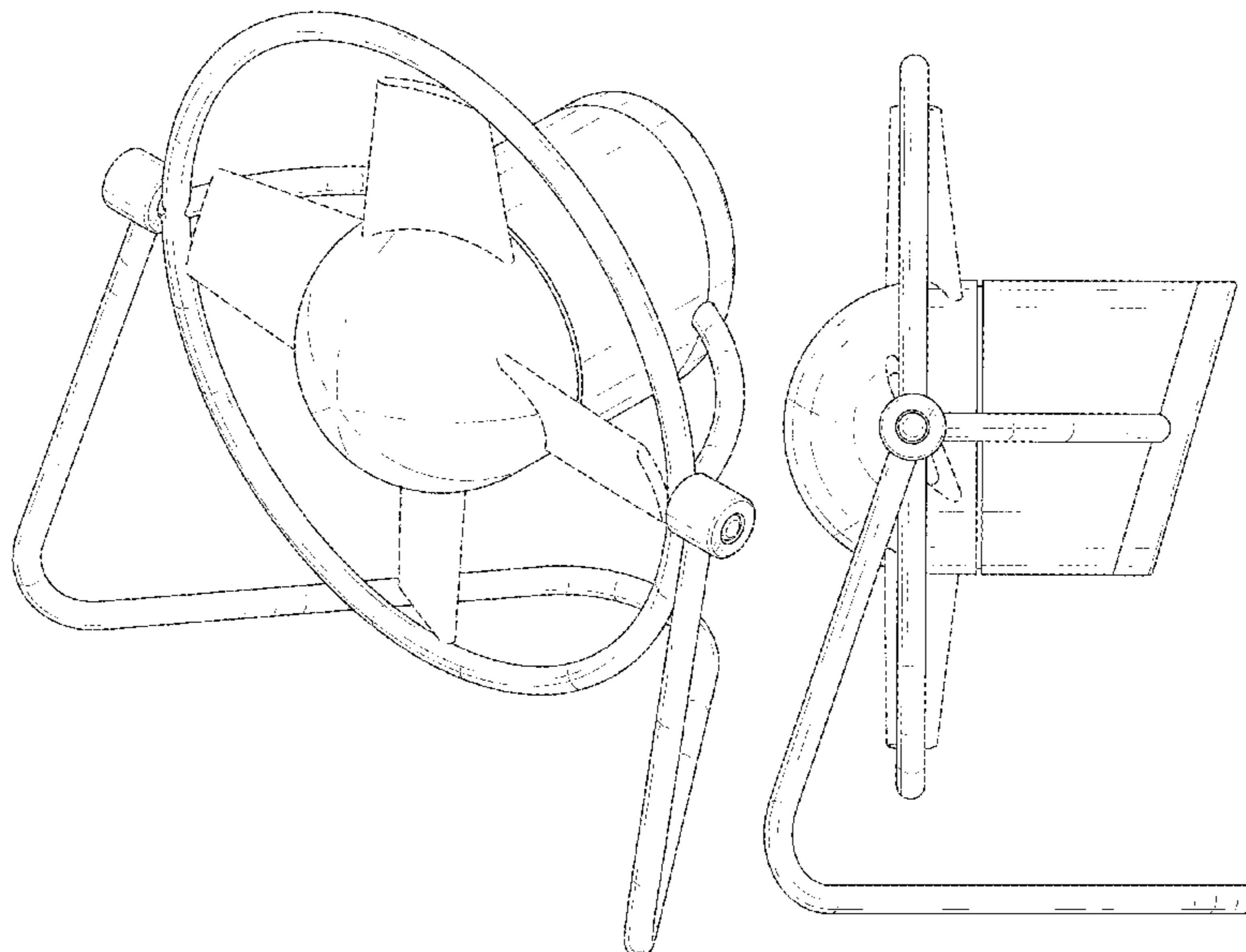
DESCRIPTION

FIG. 1 is a right, front, top perspective view of a fan in accordance with the present invention; FIG. 2 is a front elevation view thereof; FIG. 3 is a rear elevation view thereof; FIG. 4 is a right side elevation view thereof; FIG. 5 is a left side elevation view thereof; FIG. 6 is a top plan view thereof; and, FIG. 7 is a bottom plan view thereof. The broken lines depict portions of the fan that form no part of the claim.

1 Claim, 7 Drawing Sheets

(56) **References Cited**
U.S. PATENT DOCUMENTS

D115,344 S *	6/1939	Chapman	D23/411
D151,311 S *	10/1948	Zeiler et al.	D23/379
D152,397 S *	1/1949	Diamond	D23/337
D152,758 S *	2/1949	Ullman	D23/382
D154,703 S *	8/1949	Phillips	D23/370
2,521,920 A *	9/1950	Koch	F04D 29/646
				248/161
D167,093 S *	6/1952	Moore	D23/377
2,628,020 A *	2/1953	Koch	F04D 29/526
				415/186



(56)

References Cited

U.S. PATENT DOCUMENTS

6,394,766 B1 * 5/2002 Gill F04D 29/563
415/148
D480,466 S * 10/2003 Bucher D23/382
D482,438 S * 11/2003 Barker D23/382
D483,468 S * 12/2003 Wong D23/382
D513,435 S * 1/2006 Ediger D23/411
D531,718 S * 11/2006 Bucher D23/382
D559,381 S * 1/2008 Shapiro D23/411
D571,448 S * 6/2008 Bucher D23/382
D589,604 S * 3/2009 Hsu D23/382
D632,777 S * 2/2011 Sterpka D23/411
D687,937 S * 8/2013 Nemes D23/332
D818,110 S * 5/2018 Ediger D23/411
D842,448 S * 3/2019 Ma D23/382
D845,465 S * 4/2019 Cui D23/382
D847,960 S * 5/2019 He D23/332
2012/0183390 A1 * 7/2012 Pan F04D 25/105
415/170.1

* cited by examiner

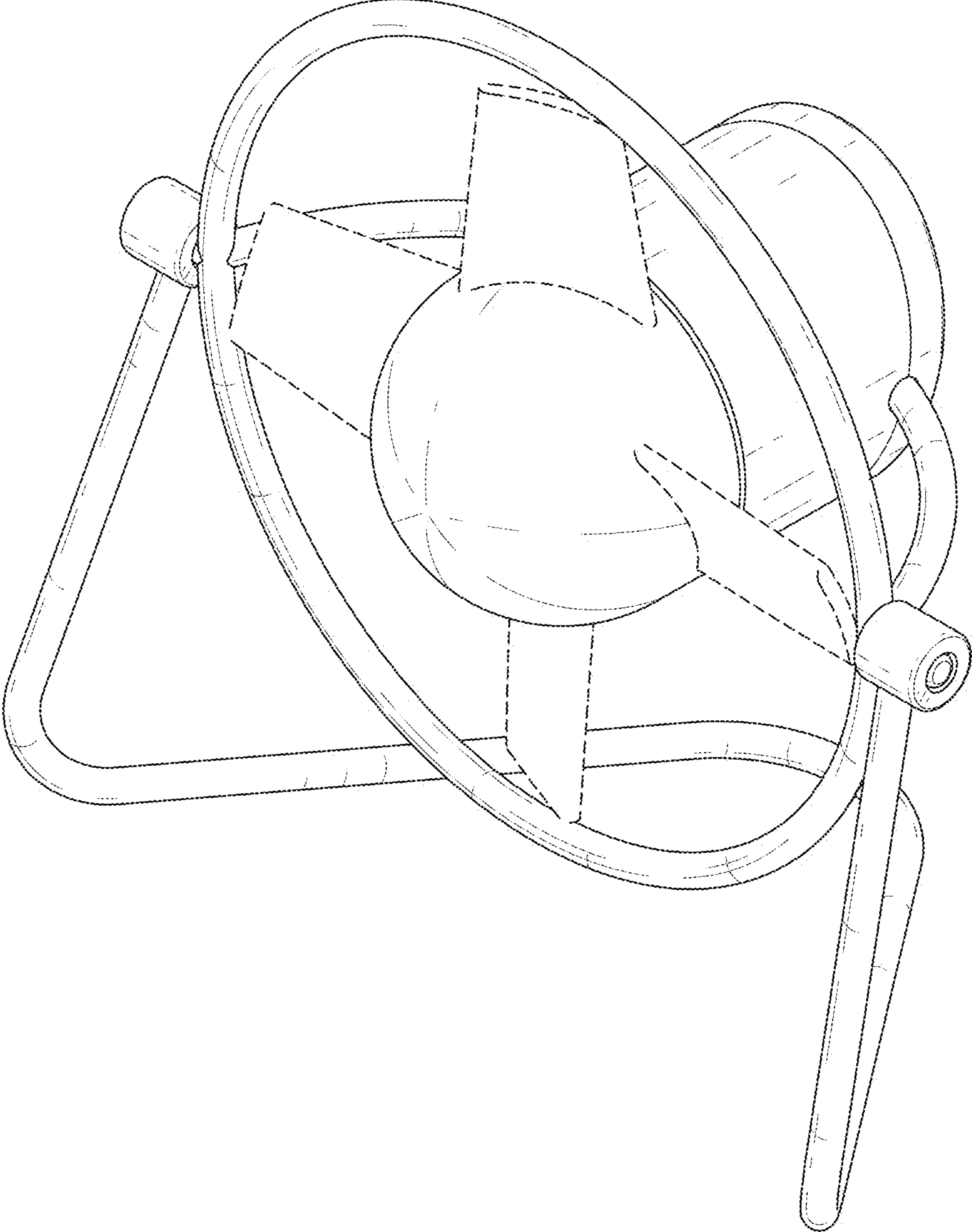


FIG. 1

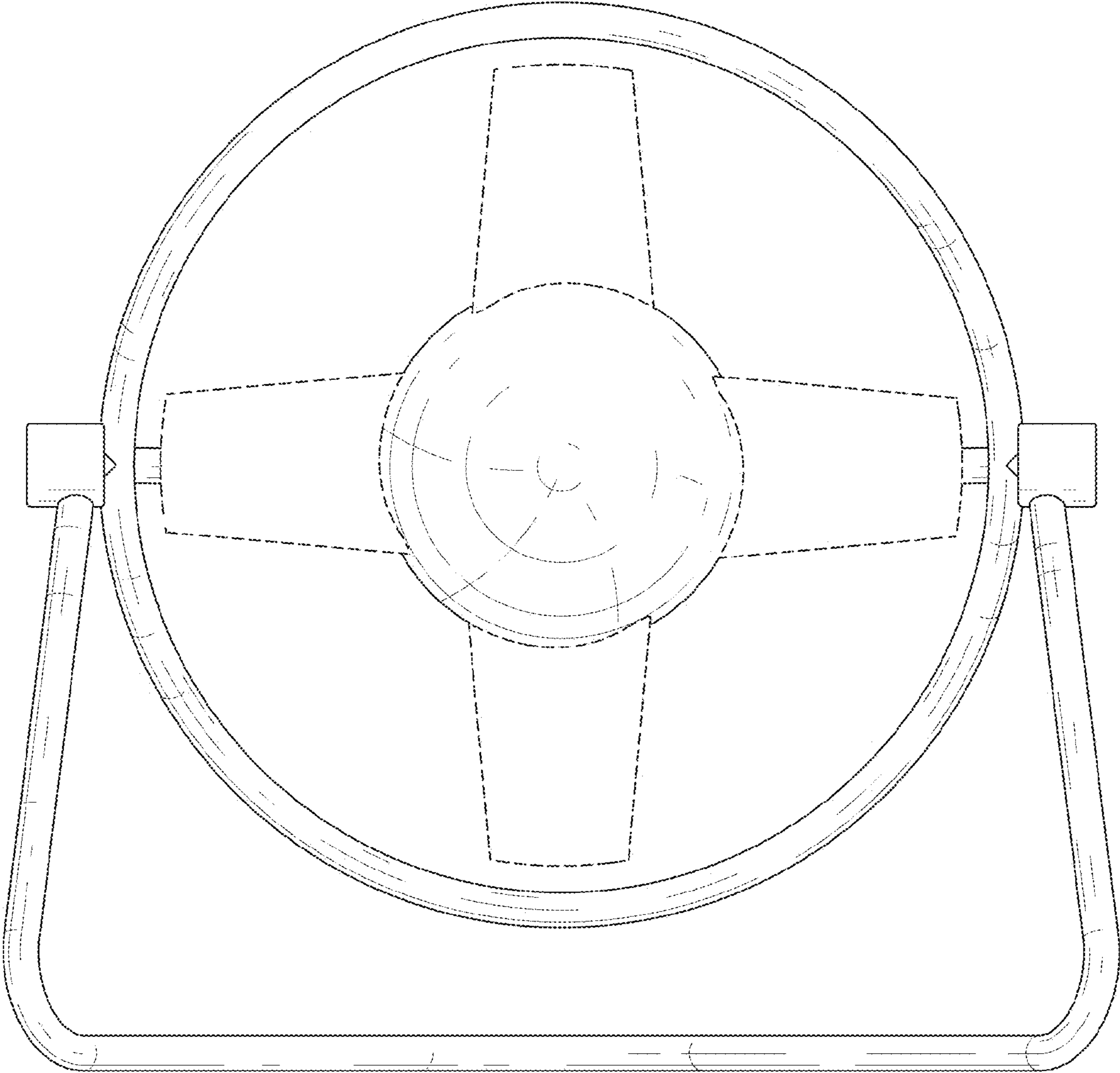


FIG. 2

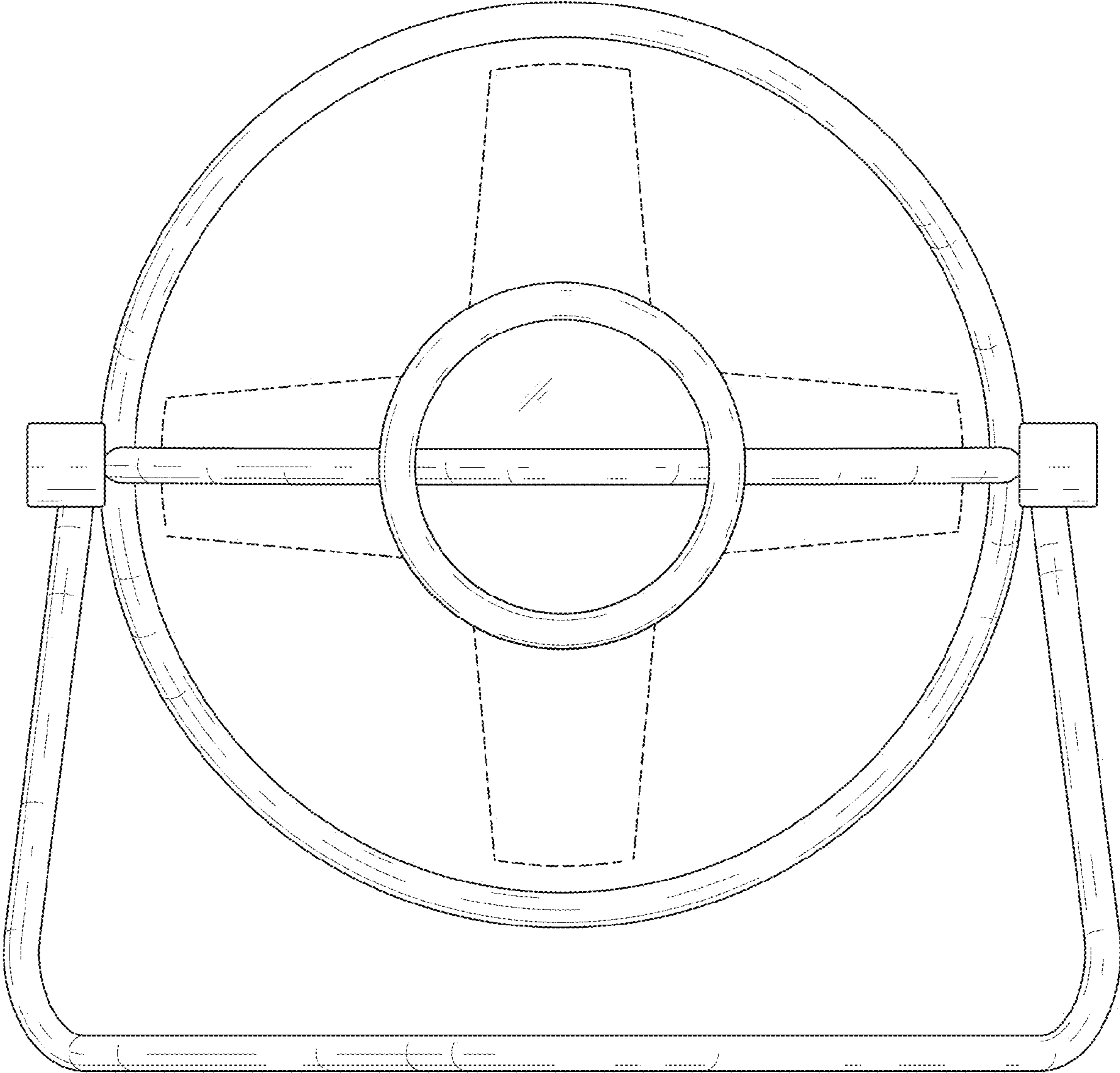


FIG. 3

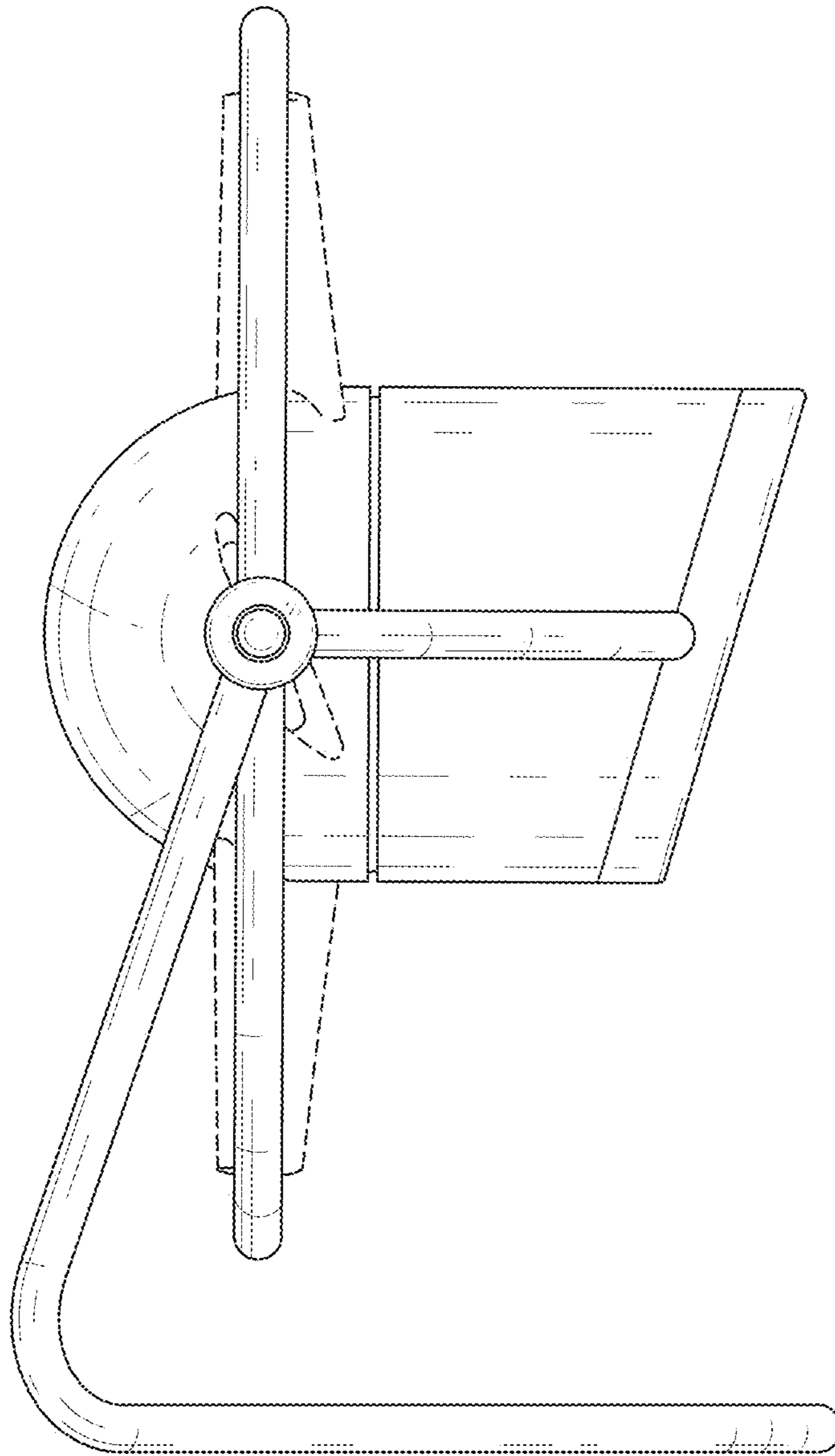


FIG. 4

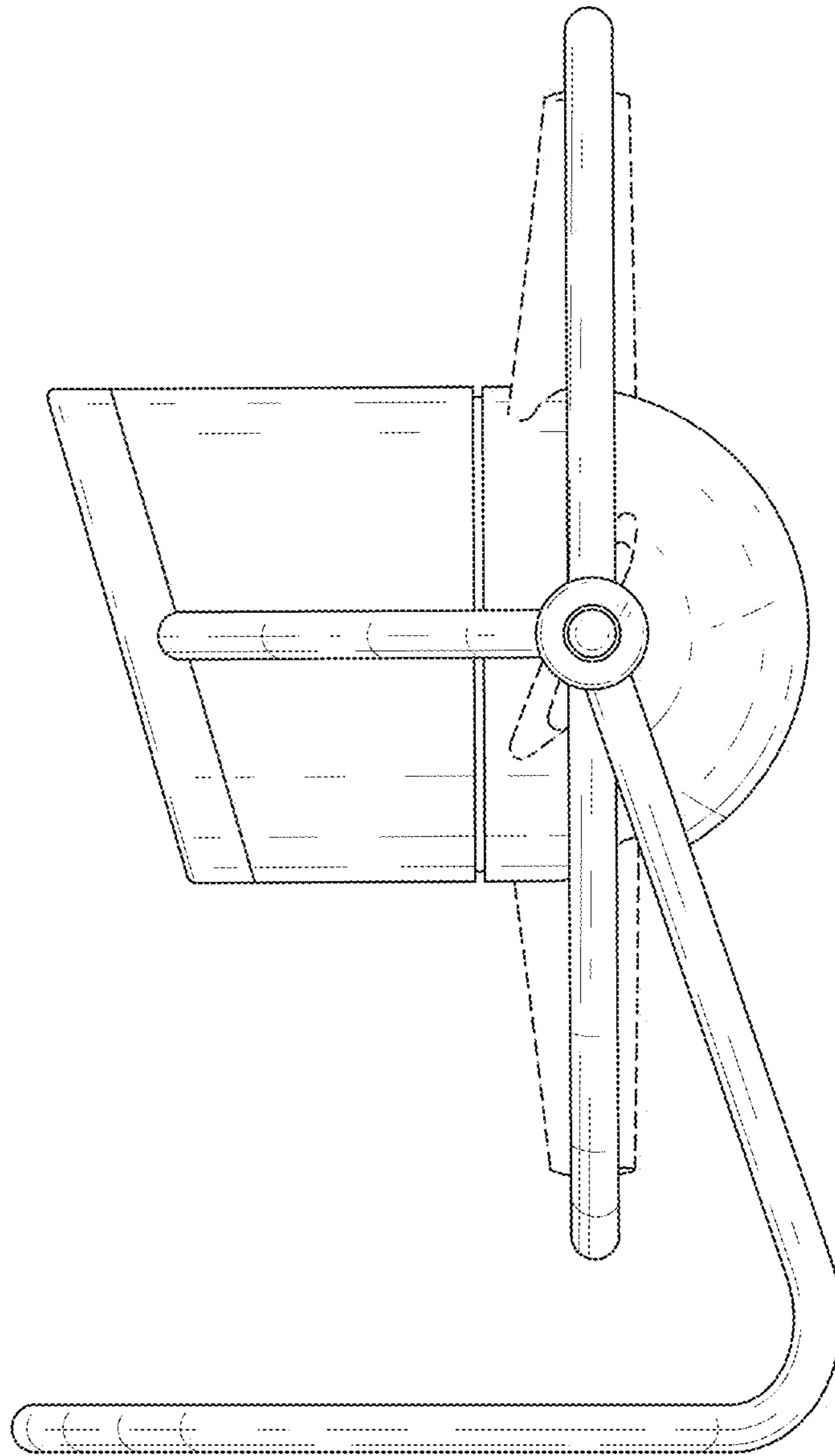


FIG. 5

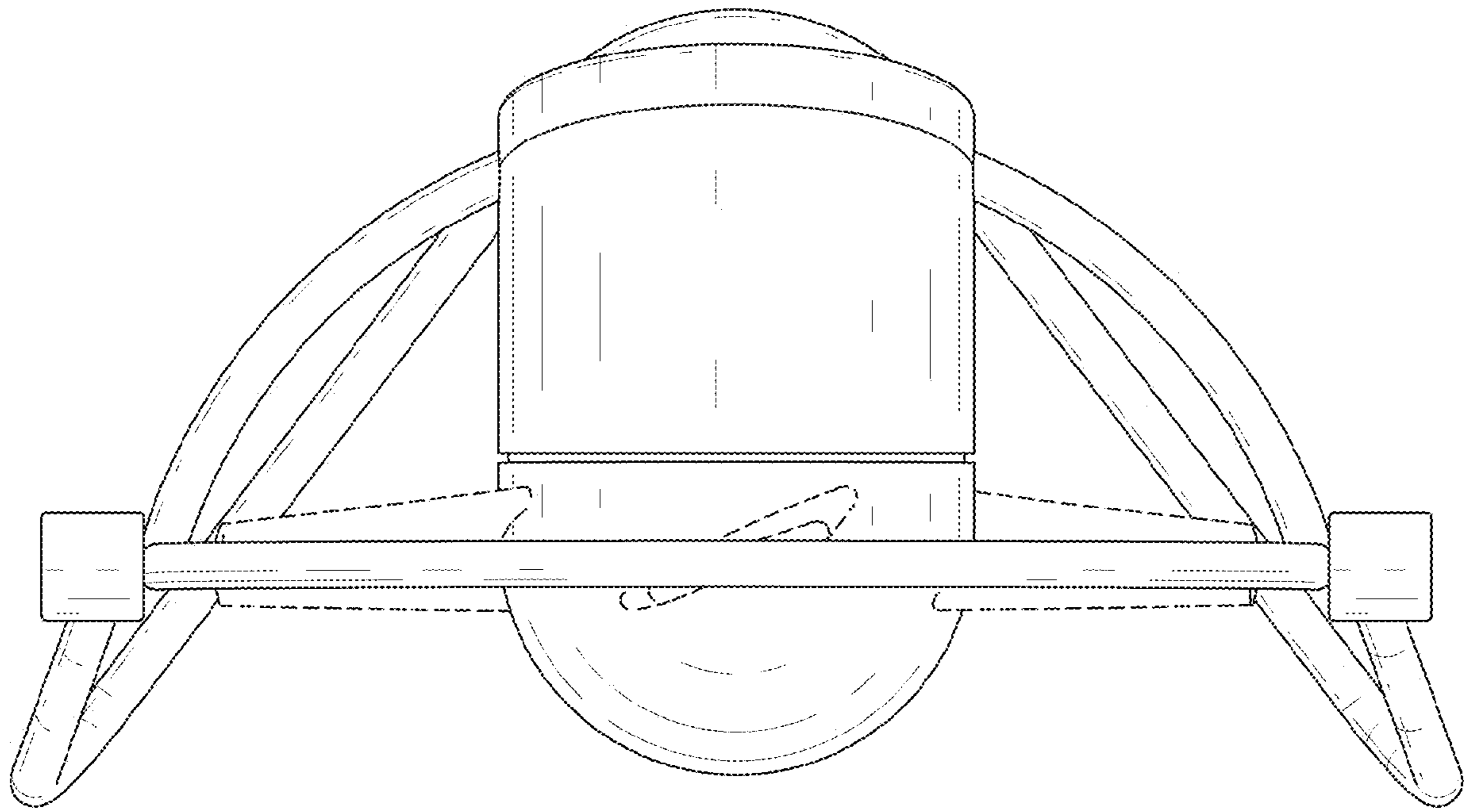


FIG. 6

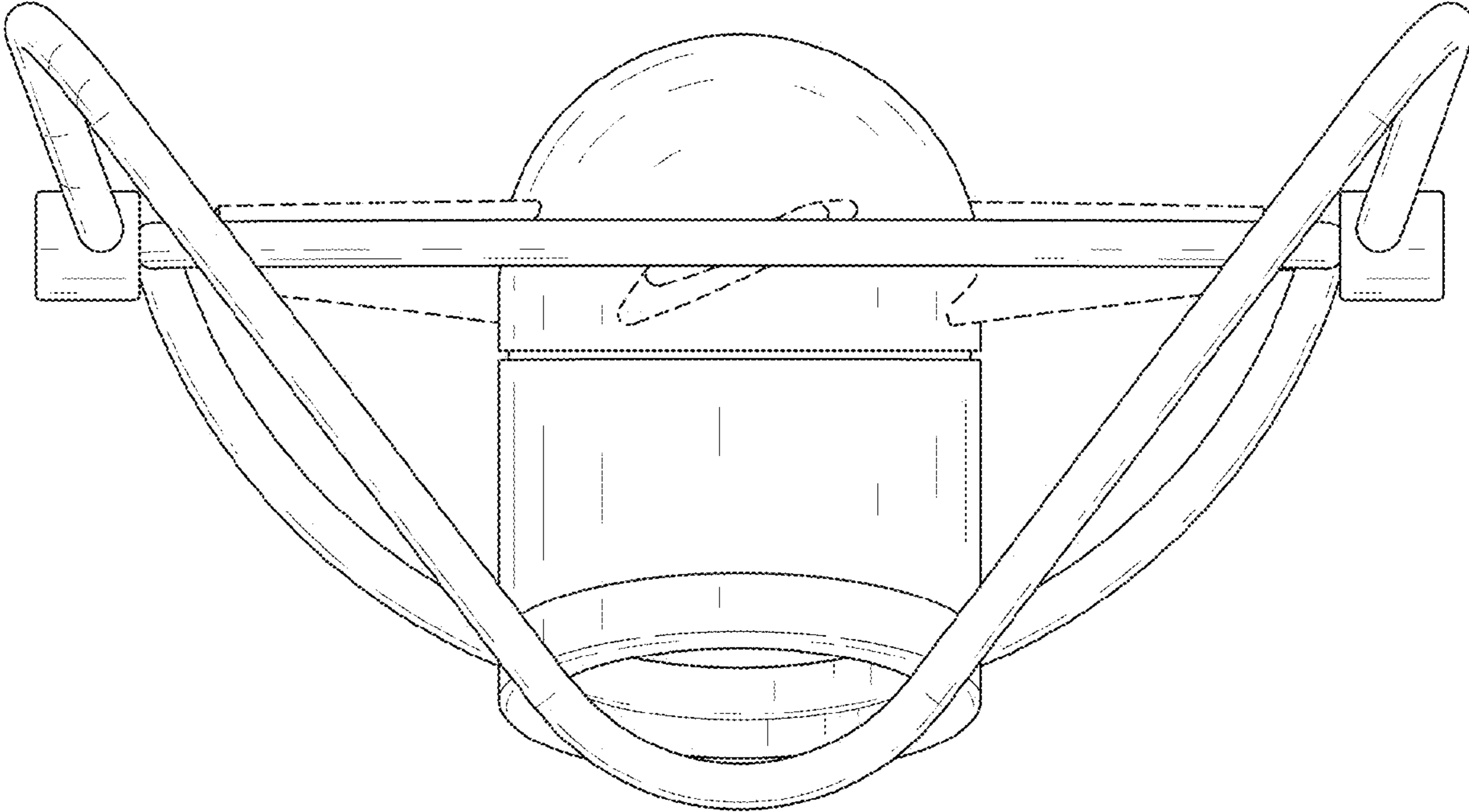


FIG. 7