



US00D900292S

(12) **United States Design Patent**
Mazzeo et al.

(10) **Patent No.:** **US D900,292 S**
(45) **Date of Patent:** **** Oct. 27, 2020**

(54) **DIFFUSING EVAPORATOR OF ACTIVE SUBSTANCES**
(71) Applicant: **Zobe Holding SPA**, Trento (IT)
(72) Inventors: **Edoardo Mazzeo**, Trento (IT); **Walter Sordo**, Trento (IT)
(73) Assignee: **ZOBELE HOLDING SPA** (IT)

D716,928 S * 11/2014 Falduto A61L 9/127
D23/366
D854,137 S * 7/2019 Maso Sabate A61L 9/127
D23/366
2012/0091221 A1* 4/2012 Levake A61L 9/127
239/44
2014/0048617 A1* 2/2014 Furner A61L 9/127
239/55
2017/0232129 A1* 8/2017 Ruiz Ballesteros A01M 1/20
239/34

(**) Term: **15 Years**
(21) Appl. No.: **29/671,235**
(22) Filed: **Nov. 26, 2018**

* cited by examiner
Primary Examiner — Sheryl Lane
Assistant Examiner — Calvin E Vansant
(74) *Attorney, Agent, or Firm* — Ostrolenk Faber LLP

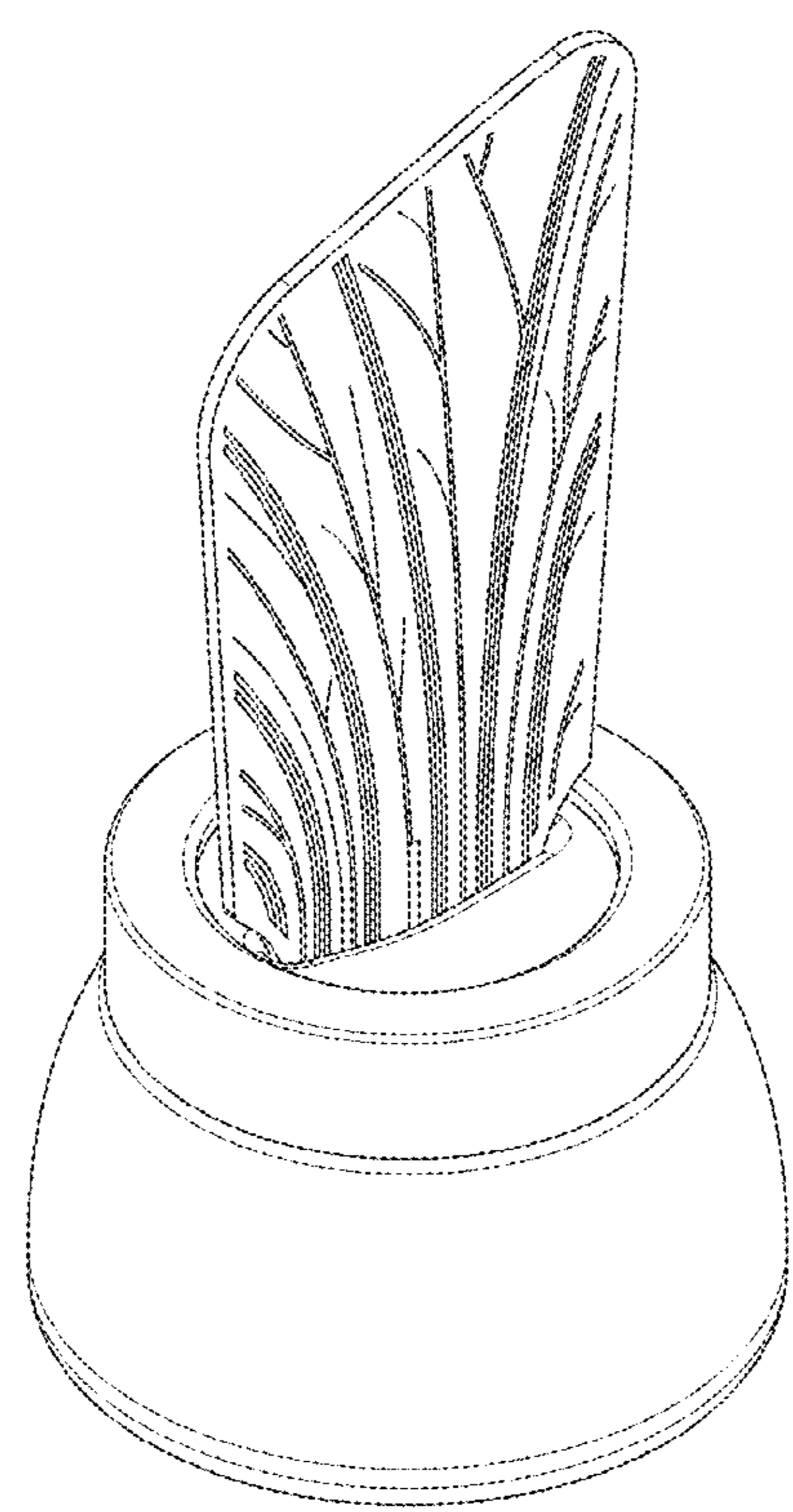
(30) **Foreign Application Priority Data**
May 24, 2018 (ES) 0528370
(51) **LOC (12) Cl.** **23-04**
(52) **U.S. Cl.**
USPC **D23/366**
(58) **Field of Classification Search**
USPC D23/201, 208–209, 355–369, 386
CPC A61L 9/02; A61L 9/03; A61L 9/12; A61L
9/035; A61L 9/125
See application file for complete search history.

(57) **CLAIM**
The ornamental design for a diffusing evaporator of active substances, as shown and described.

(56) **References Cited**
U.S. PATENT DOCUMENTS
D246,317 S * 11/1977 Heath D23/369
D321,476 S * 11/1991 Alcover D23/366
D669,569 S * 10/2012 Levake D23/366
D697,604 S * 1/2014 Cen D23/366

DESCRIPTION
FIG. 1 is a rear, top and left side perspective view illustration of a diffusing evaporator of active substances according to our new design;
FIG. 2 is a rear view illustration thereof;
FIG. 3 is a top view illustration thereof;
FIG. 4 is a side view illustration thereof;
FIG. 5 is a bottom view illustration thereof; and
FIG. 6 is another side illustration thereof; and,
FIG. 7 is a front, top and right side perspective view illustration thereof.

1 Claim, 7 Drawing Sheets



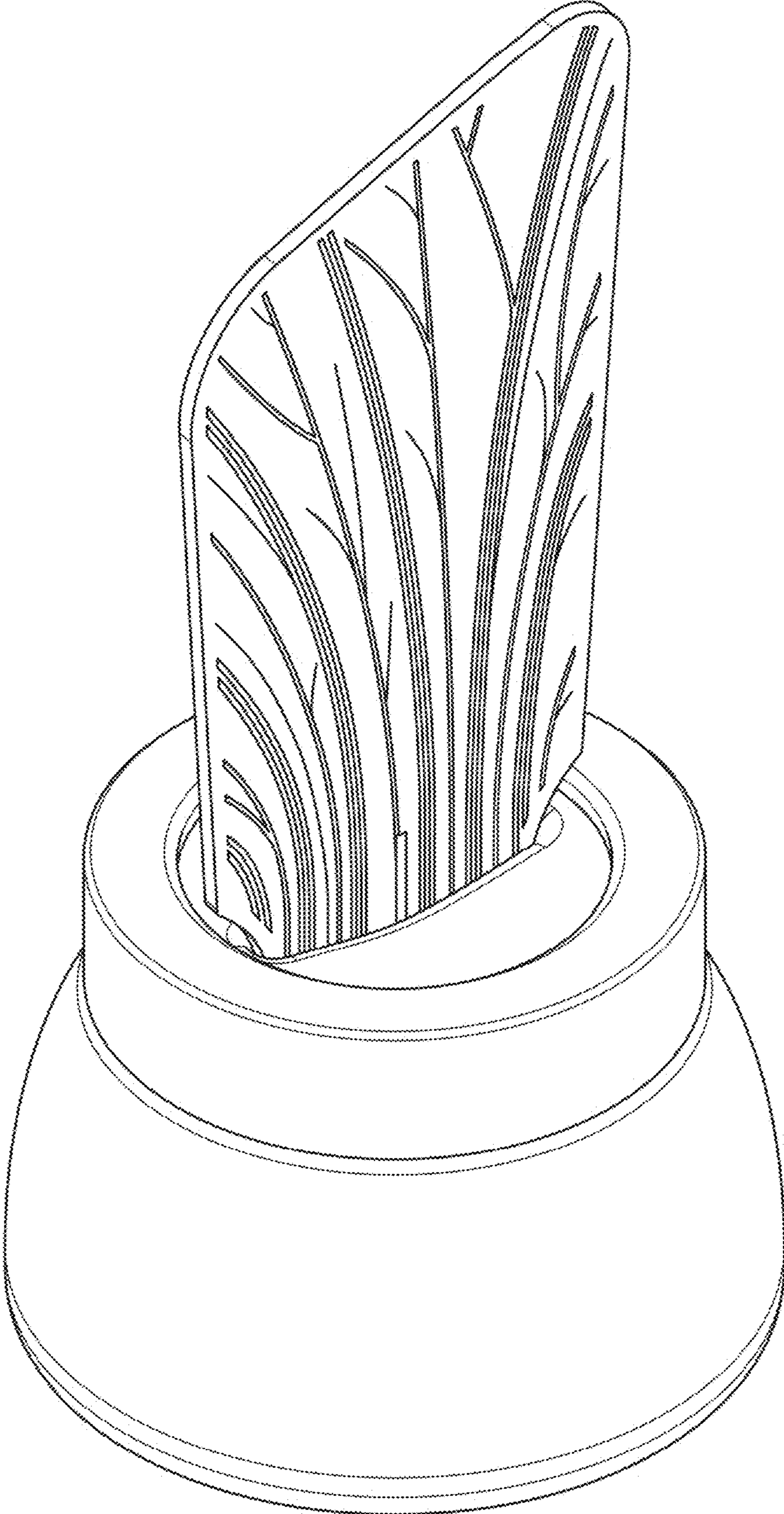


FIG. 1

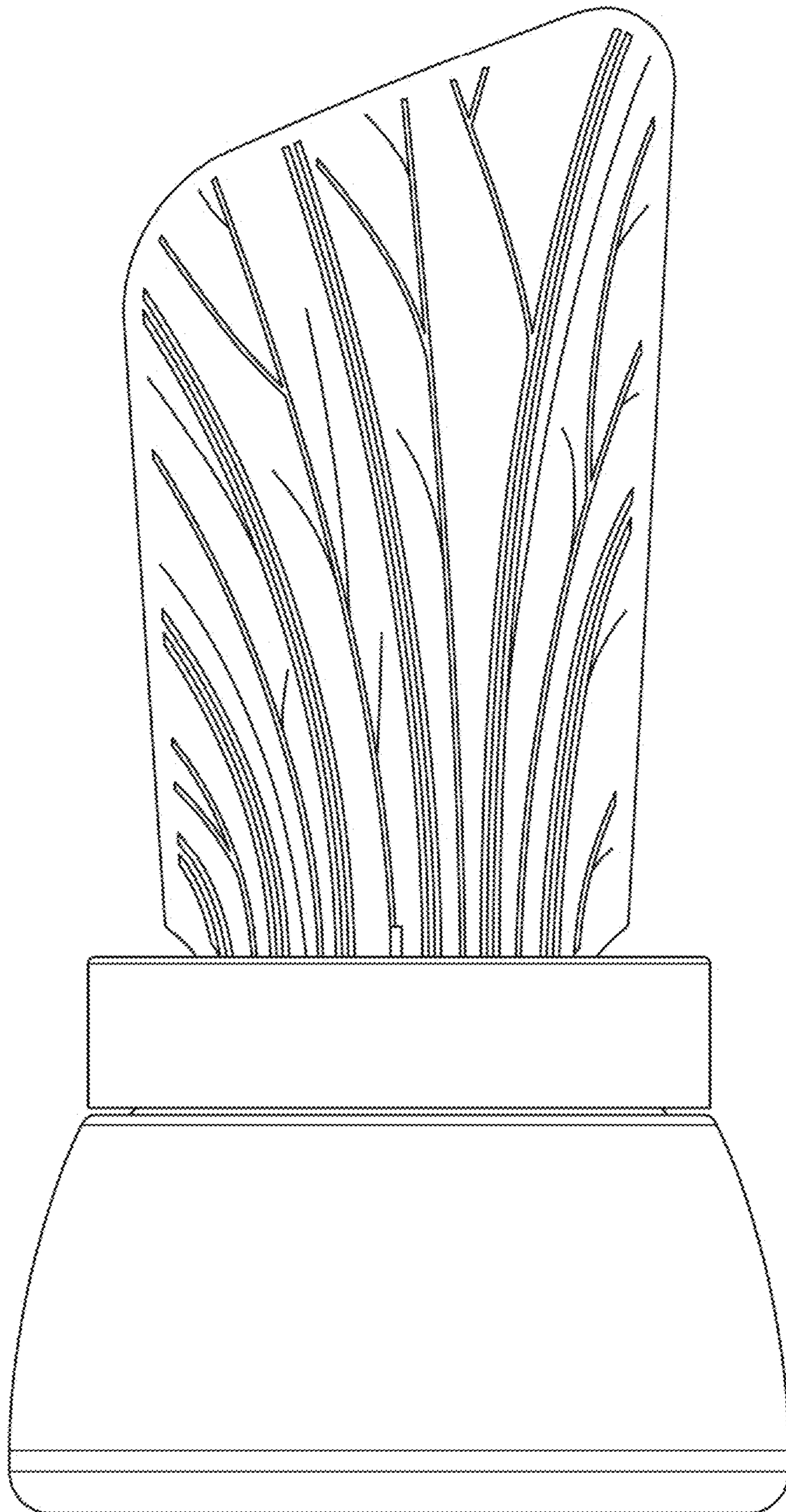


FIG. 2

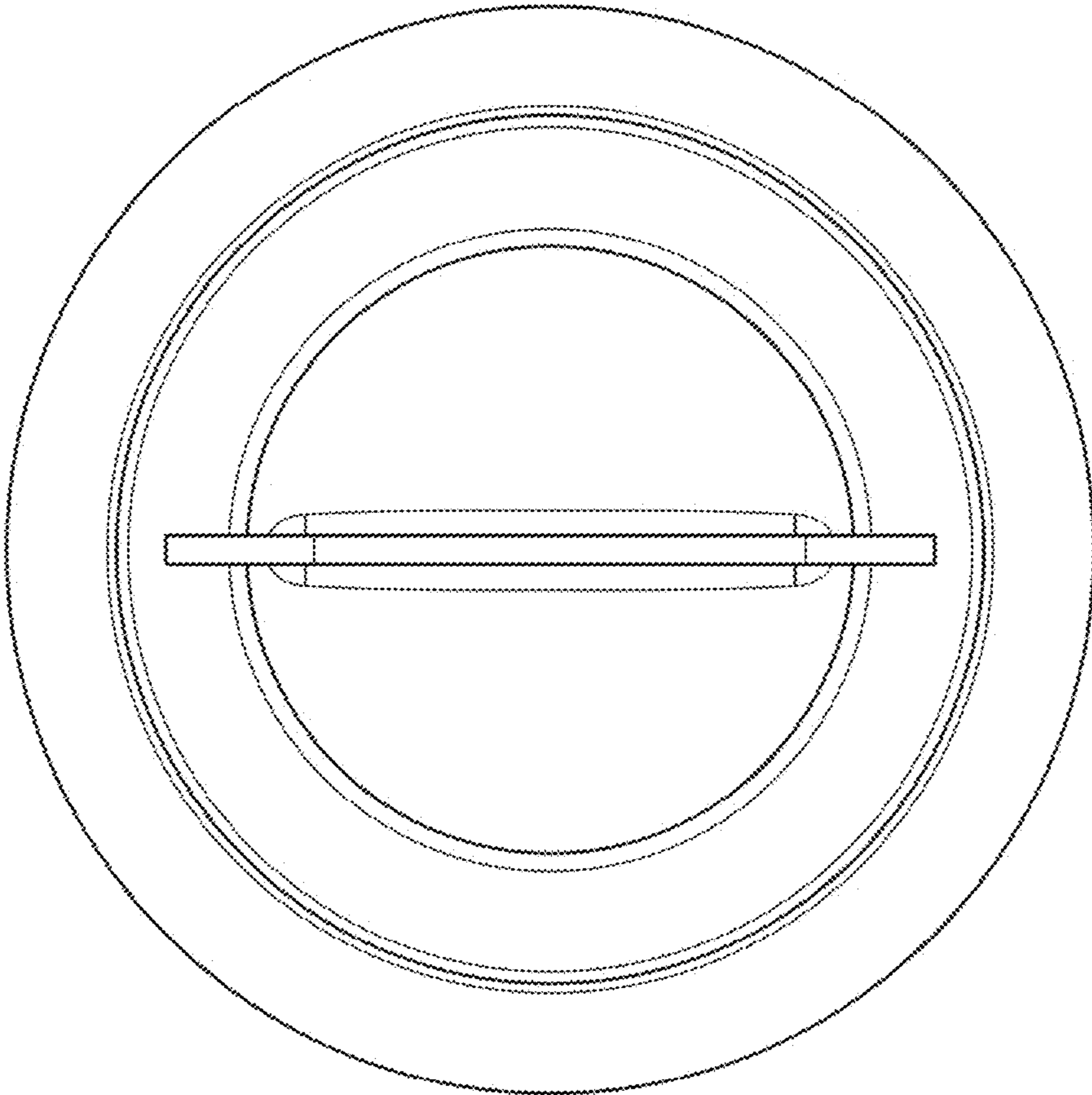


FIG. 3

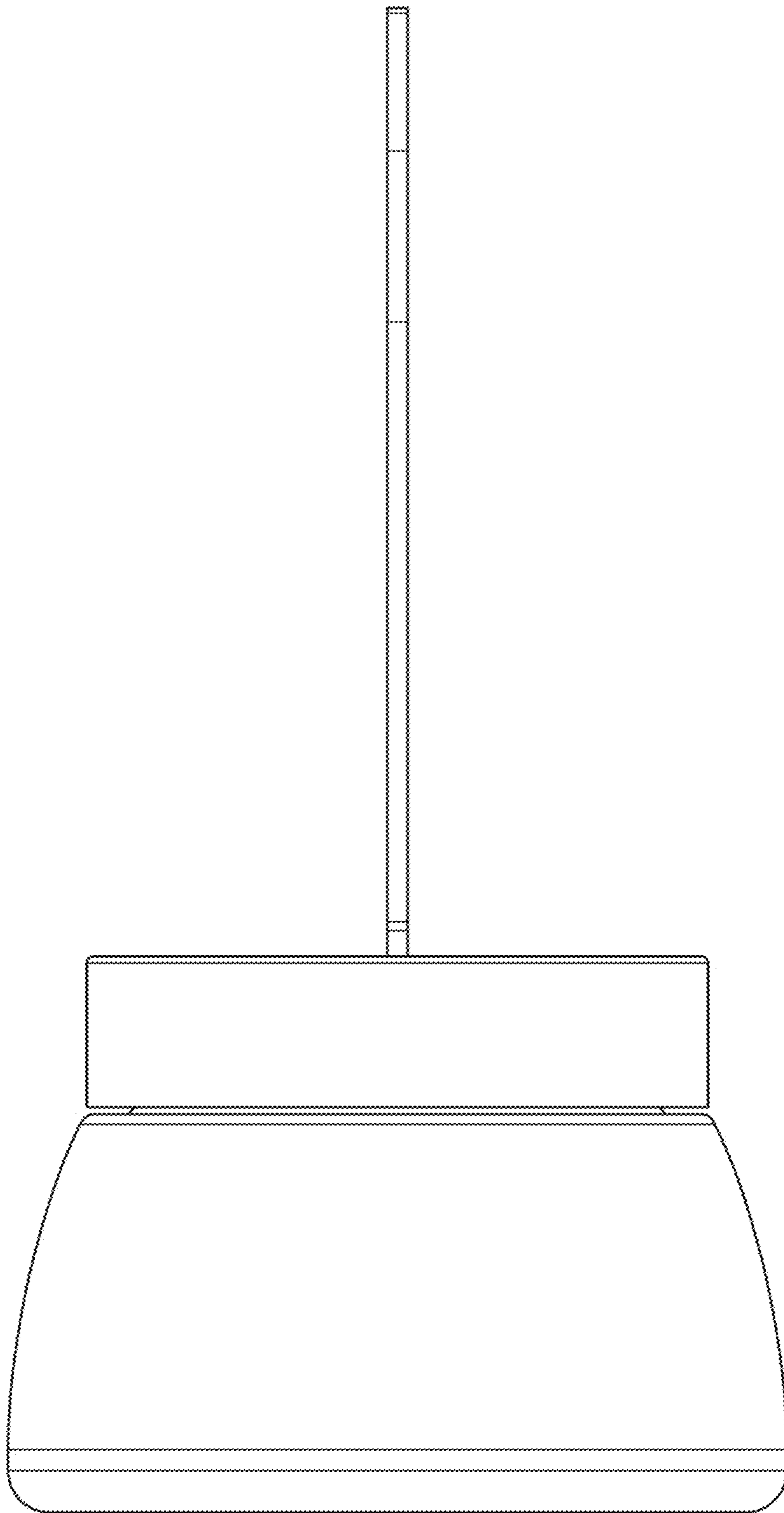


FIG. 4

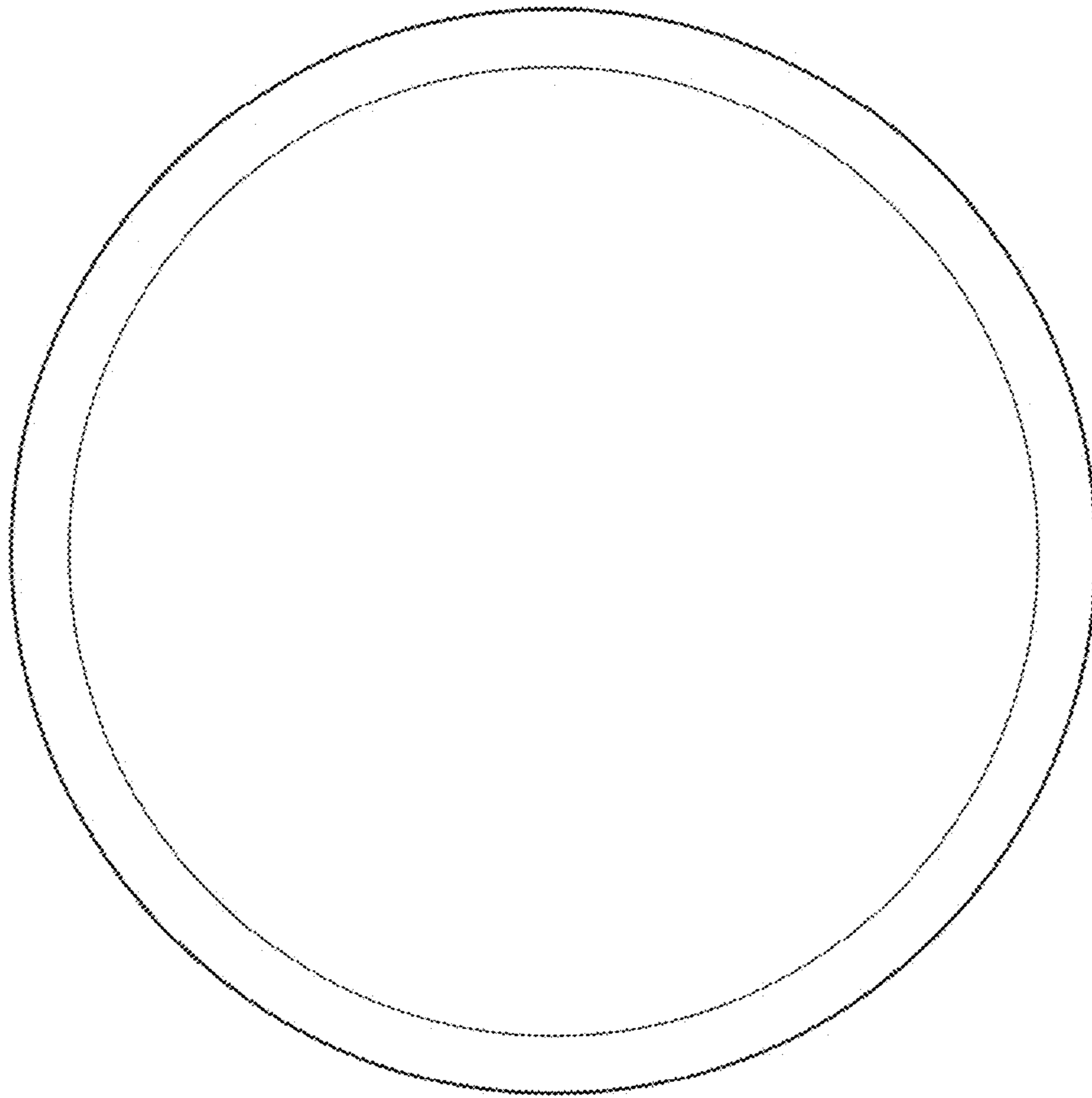


FIG. 5

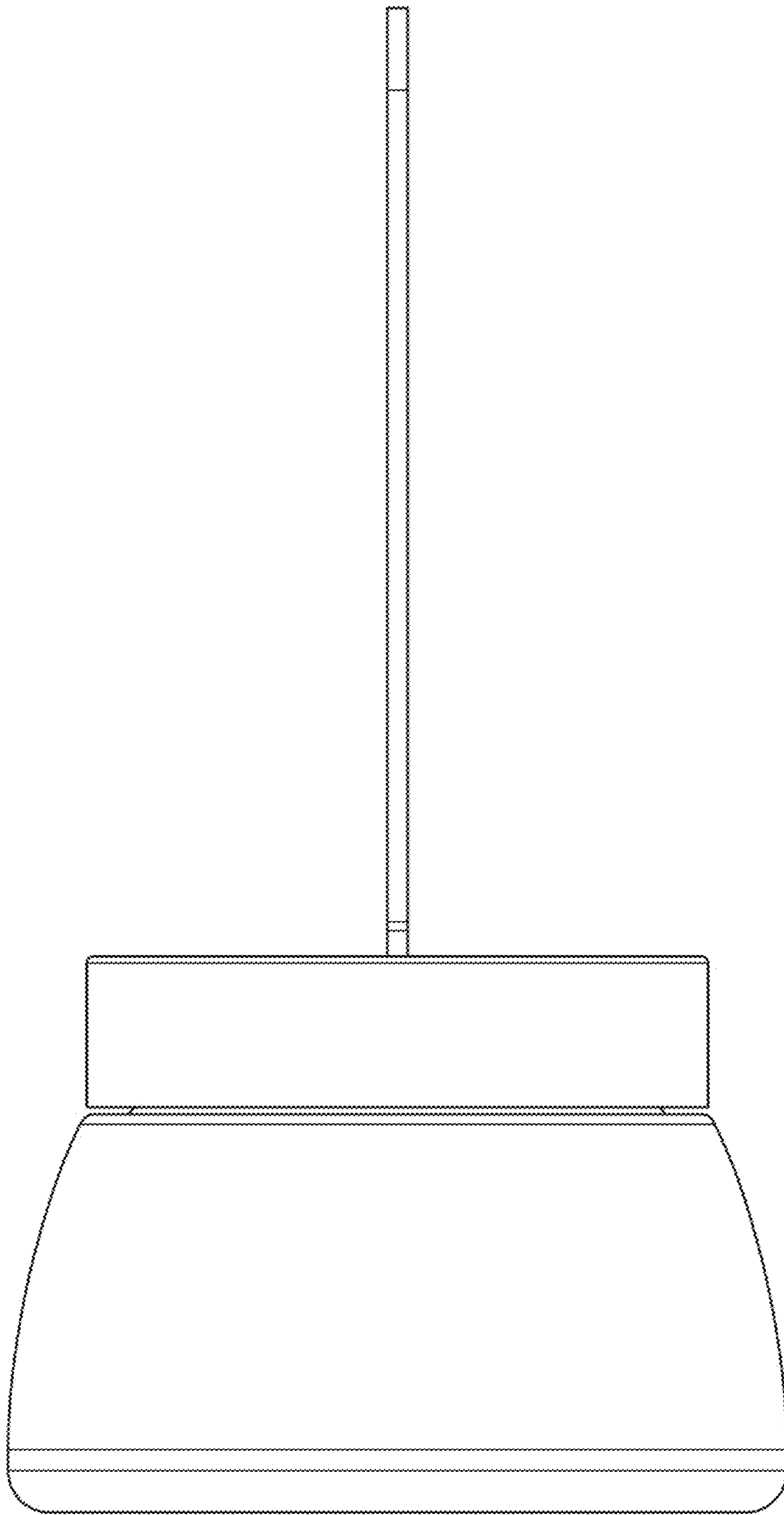


FIG. 6

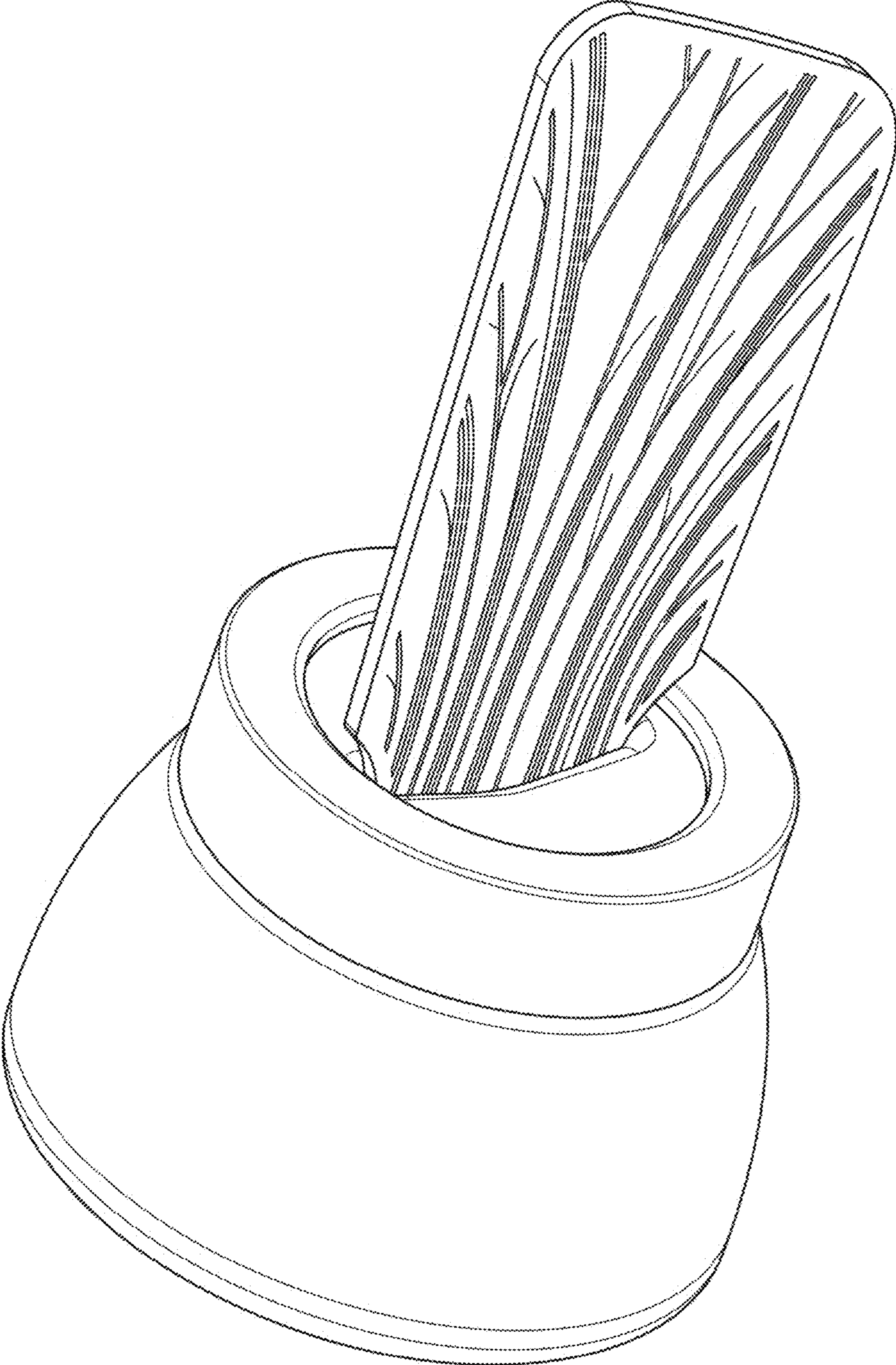


FIG. 7