



US00D900291S

(12) **United States Design Patent** (10) **Patent No.:** **US D900,291 S**  
**Brown et al.** (45) **Date of Patent:** **\*\* Oct. 27, 2020**

(54) **AIR FRESHENER**  
(71) Applicant: **Fresh Products, Inc.**, Perrysburg, OH (US)  
(72) Inventors: **Douglas S. Brown**, Toledo, OH (US); **Jeffrey A. Smith**, Perrysburg, OH (US)  
(73) Assignee: **FRESH PRODUCTS, INC.**, Perrysburg, OH (US)

3,104,816 A 9/1963 Jaffe  
3,239,145 A 3/1966 Russo  
3,269,605 A 8/1966 Silver  
3,288,420 A 11/1966 Maruoka  
3,375,538 A 4/1968 Mains et al.  
3,380,632 A 4/1968 Wilson

(Continued)

FOREIGN PATENT DOCUMENTS

CH 296864 2/1954  
DE 461572 6/1928

(Continued)

(\*\*) Term: **15 Years**

(21) Appl. No.: **29/659,115**

(22) Filed: **Aug. 6, 2018**

(51) **LOC (12) Cl.** ..... **23-04**

(52) **U.S. Cl.**  
USPC ..... **D23/364**

(58) **Field of Classification Search**  
USPC ..... D23/355-366, 352, 369, 332, 333, 335, D23/336, 342, 351; 422/120, 122; 55/356, 473, 504; 96/971; 261/DIG. 17, 261/DIG. 65, DIG. 88, DIG. 31  
CPC .. A61L 9/16; A61L 9/22; B01D 47/00; B01D 47/027; B01D 2221/02; B01D 2259/4508; B03C 3/155; B03C 3/368; F24F 3/16; F24F 13/20; F24F 13/28

See application file for complete search history.

(56) **References Cited**

U.S. PATENT DOCUMENTS

2,069,179 A 1/1937 Dunaway  
2,243,151 A 5/1941 Fuld et al.  
2,251,058 A 7/1941 Kirkman  
2,642,310 A 6/1953 Meek et al.  
2,657,090 A 10/1953 Meek  
2,707,930 A 5/1955 Miles  
2,794,676 A 6/1957 D'Agostino  
2,908,473 A 10/1959 Snyder  
2,925,202 A 2/1960 Stevens

OTHER PUBLICATIONS

Advertisements dated Sep. 20, 1989 and Jan. 20, 1998 and updated advertising materials showing a combination soap and air freshener dispenser.

*Primary Examiner* — David G Muller

(74) *Attorney, Agent, or Firm* — Knobbe Martens Olson & Bear LLP

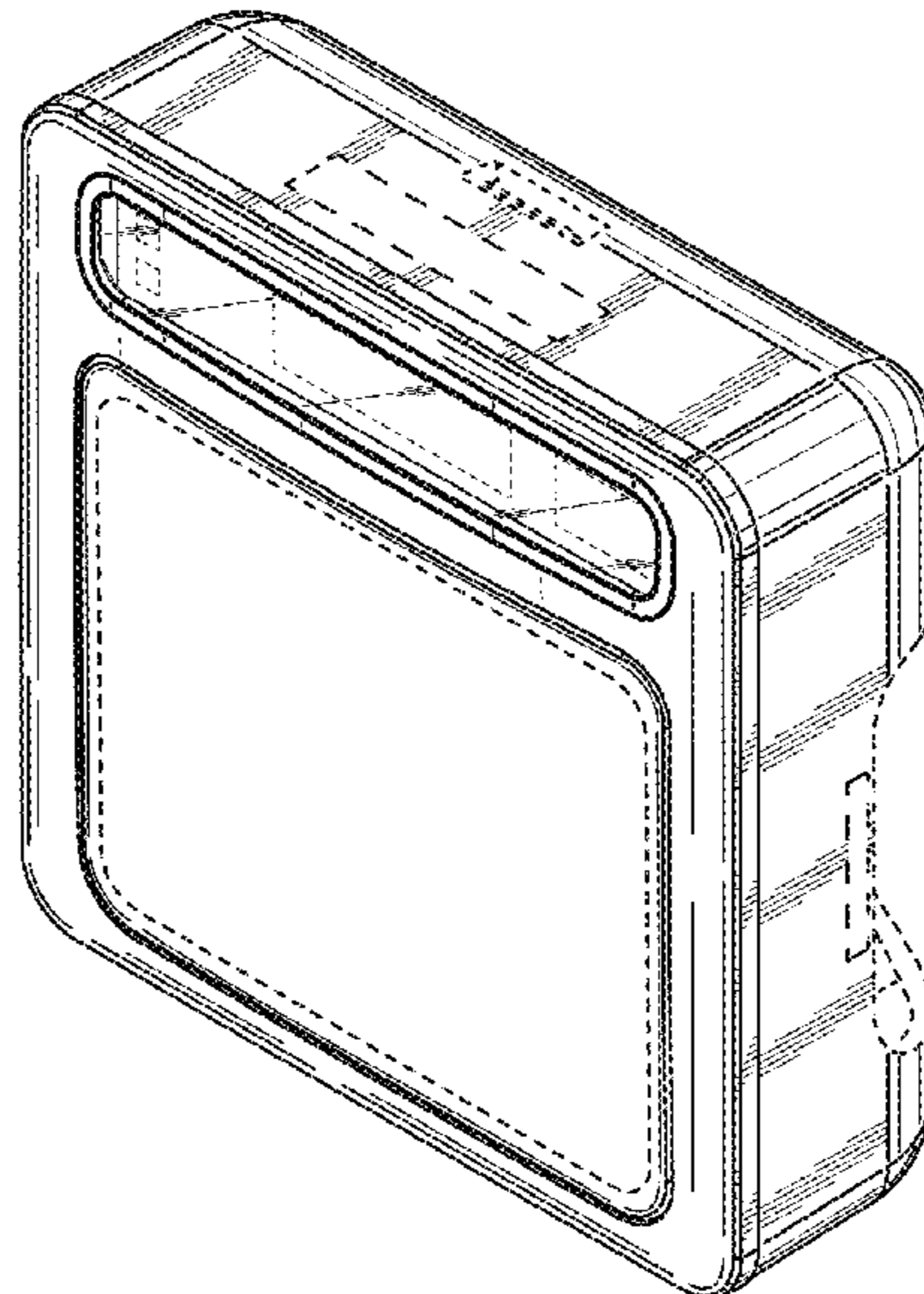
(57) **CLAIM**

The ornamental design for an air freshener, as shown and described.

**DESCRIPTION**

FIG. 1 is a front, top, and side perspective view of a second embodiment of an air freshener embodying our new design. FIG. 2 is a front view thereof. FIG. 3 is a back view thereof. FIG. 4 is a right side view thereof. FIG. 5 is a left side view thereof. FIG. 6 is a top view thereof. FIG. 7 is a bottom view thereof; and, FIG. 8 is a back, bottom, and side perspective view thereof. Broken lines are used to illustrate features of the air freshener which form no part of the claimed design.

**1 Claim, 8 Drawing Sheets**



(56)

References Cited

U.S. PATENT DOCUMENTS

3,522,935 A	8/1970	Lewis	7,160,515 B2	1/2007	Murdell et al.	
3,729,553 A	4/1973	Gold et al.	7,188,780 B2	3/2007	Martens, III	
3,833,149 A	9/1974	Iozzio	7,188,783 B2	3/2007	Ivey et al.	
3,902,637 A	9/1975	Scheeler	7,223,361 B2	5/2007	Kvietok et al.	
3,993,444 A	11/1976	Brown	7,344,123 B2	3/2008	Pankhurst et al.	
4,039,104 A	8/1977	Mijares, Jr. et al.	7,389,943 B2	6/2008	Jaworski	
4,065,261 A	12/1977	Fukada	7,484,716 B2	2/2009	Ford Morie et al.	
4,067,692 A	1/1978	Farris	7,600,697 B2	10/2009	Bankers et al.	
4,154,375 A	5/1979	Bippus	7,610,118 B2	10/2009	Schramm et al.	
4,252,547 A	2/1981	Johnson	7,622,073 B2	11/2009	Schramm et al.	
4,294,778 A	10/1981	DeLuca	7,691,336 B2	4/2010	Westring	
4,570,827 A	2/1986	Roggenburg, Jr. et al.	7,748,687 B2	7/2010	Pankhurst et al.	
4,580,581 A	4/1986	Reece et al.	7,857,236 B2	12/2010	Zlotnik et al.	
4,636,328 A	1/1987	Flynn et al.	7,922,104 B2	4/2011	Zlotnik et al.	
4,709,425 A	12/1987	Bavaveas	7,942,388 B2	5/2011	Suissa et al.	
4,741,461 A	5/1988	Williamson et al.	7,981,367 B2	7/2011	Kvietok et al.	
4,743,406 A	5/1988	Steiner et al.	8,016,207 B2	9/2011	Kvietok et al.	
4,808,347 A	2/1989	Dawn	8,048,379 B2	11/2011	Sassoon	
4,821,923 A	4/1989	Skorka	8,061,628 B1	11/2011	Kvietok et al.	
4,881,652 A	11/1989	Schiemann	8,074,970 B2	12/2011	Pankhurst et al.	
4,903,584 A	2/1990	Styles	8,119,064 B2	2/2012	Woo et al.	
4,905,112 A	2/1990	Rhodes	D664,246 S	7/2012	Irvin et al.	
4,921,131 A	5/1990	Binderbauer et al.	8,210,448 B2	7/2012	Kvietok et al.	
4,921,636 A	5/1990	Traas	8,220,782 B2	7/2012	Hepple	
4,946,070 A	8/1990	Albert et al.	8,349,251 B2	1/2013	Woo et al.	
4,946,072 A	8/1990	Albert et al.	8,414,834 B2	4/2013	Gorman	
4,955,508 A	9/1990	Campanna et al.	8,469,293 B2	6/2013	Doty et al.	
4,967,935 A	11/1990	Celest	8,485,454 B1	7/2013	Irvin et al.	
RE33,864 E	3/1992	Steiner et al.	8,603,397 B2	12/2013	Gruenbacher et al.	
5,102,015 A	4/1992	Barnard et al.	8,870,165 B2	10/2014	Scolari	
5,115,945 A	5/1992	Ruck	8,881,999 B2	11/2014	Blaylock et al.	
5,147,582 A	9/1992	Holzner, Sr. et al.	8,899,493 B2	12/2014	Kim et al.	
5,165,603 A	11/1992	Hahn	9,265,853 B2	2/2016	Scott et al.	
5,167,877 A	12/1992	Pai	D753,809 S *	4/2016	Schlegel	D23/366
5,178,327 A	1/1993	Palamand et al.	D754,317 S *	4/2016	Yasuoka	D23/366
5,180,107 A	1/1993	Lindauer	9,364,575 B2	6/2016	Habel	
5,186,360 A	2/1993	Mease et al.	D764,040 S *	8/2016	Cho	D23/365
5,223,182 A	6/1993	Steiner et al.	9,717,815 B2	8/2017	Peterson et al.	
5,265,772 A	11/1993	Bartasevich et al.	D837,355 S *	1/2019	Gunnefur	D23/364
5,284,272 A	2/1994	Wei	D858,732 S *	9/2019	Hyon	D23/365
5,367,716 A	11/1994	Huang	2002/0066798 A1	6/2002	Laudamiel-Pellet et al.	
5,379,917 A	1/1995	Brown et al.	2002/0068009 A1	6/2002	Laudamiel-Pellet et al.	
5,477,640 A	12/1995	Holtkamp, Jr.	2002/0068010 A1	6/2002	Laudamiel-Pellet et al.	
5,487,877 A	1/1996	Choi	2003/0175148 A1	9/2003	Kvietok et al.	
5,595,324 A	1/1997	Brown et al.	2004/0007787 A1	1/2004	Kvietok et al.	
5,690,255 A	11/1997	White	2004/0033171 A1	2/2004	Kvietok et al.	
5,695,692 A *	12/1997	Kennedy	2004/0265164 A1	12/2004	Woo et al.	
			2005/0147523 A1	7/2005	Laudamiel-Pellet et al.	
			2005/0147539 A1	7/2005	Laudamiel-Pellet et al.	
			2005/0214158 A1	9/2005	Kvietok et al.	
			2005/0265904 A1	12/2005	Hardy et al.	
			2006/0067859 A1	3/2006	Laudamiel-Pellet et al.	
			2006/0081721 A1	4/2006	Caserta et al.	
5,791,525 A	8/1998	Fan	2006/0153744 A1	7/2006	Thompson et al.	
5,799,826 A	9/1998	Brown et al.	2006/0196100 A1	9/2006	Laudamiel-Pellet et al.	
5,805,768 A	9/1998	Schwartz et al.	2006/0226251 A1	10/2006	Helf et al.	
5,842,675 A	12/1998	Davitt	2007/0181706 A1	8/2007	Yeh et al.	
5,911,362 A	6/1999	Wood et al.	2008/0038156 A1	2/2008	Jaramillo	
D414,253 S *	9/1999	Kobayashi	2008/0164337 A1	7/2008	Brown et al.	
6,062,425 A	5/2000	Brown et al.	2008/0191370 A1	8/2008	Pankhurst et al.	
6,249,919 B1	6/2001	Bryson, Jr. et al.	2008/0245890 A1	10/2008	Lockwood et al.	
6,254,065 B1	7/2001	Ehrensperger et al.	2009/0001213 A1	1/2009	Looft	
6,318,600 B1	11/2001	Winnett et al.	2009/0173799 A1	7/2009	Litten-Brown et al.	
6,357,726 B1	3/2002	Watkins	2009/0200399 A1	8/2009	McGee et al.	
D459,950 S	7/2002	Bush et al.	2009/0212124 A1	8/2009	Kenny	
6,536,746 B2	3/2003	Watkins	2009/0218413 A1	9/2009	Withers	
6,569,387 B1	5/2003	Furner et al.	2010/0038443 A1	2/2010	Pankhurst et al.	
6,581,915 B2	6/2003	Bartsch et al.	2010/0090022 A1	4/2010	Hayashida	
6,619,559 B2	9/2003	Wohrle	2010/0187327 A1	7/2010	Irvin	
6,655,604 B2	12/2003	Tuttobene, Jr.	2010/0221143 A1	9/2010	Broncano Atencia et al.	
6,713,024 B1	3/2004	Arnell et al.	2010/0272599 A1	10/2010	Broncano Atencia et al.	
6,769,631 B2	8/2004	Brown	2010/0320282 A1	12/2010	Sissom	
6,783,117 B2	8/2004	Wohrle	2011/0290903 A1	12/2011	Nagano et al.	
6,786,474 B2	9/2004	Watkins et al.	2012/0000989 A1	1/2012	Bordier	
6,834,847 B2	12/2004	Bartsch et al.	2012/0018527 A1	1/2012	Duddington et al.	
6,913,733 B2	7/2005	Hardy et al.	2012/0126024 A1	5/2012	Boyd et al.	
6,994,328 B2	2/2006	Watkins et al.	2012/0205460 A1	8/2012	Franks	
7,011,795 B2	3/2006	Thompson et al.	2014/0001286 A1	1/2014	Scott et al.	
7,036,800 B2	5/2006	Ellis				
7,070,172 B2	7/2006	Fabrega et al.				

(56)

**References Cited**

U.S. PATENT DOCUMENTS

2015/0108243 A1 4/2015 Bourne  
2017/0067608 A1 3/2017 Patton  
2017/0216474 A1 8/2017 Kelsen

FOREIGN PATENT DOCUMENTS

DE 3239511 4/1984  
DE 102012016994 3/2013  
FR 2741807 6/1997  
WO WO 00/12143 3/2000  
WO WO 02/34414 5/2002

\* cited by examiner

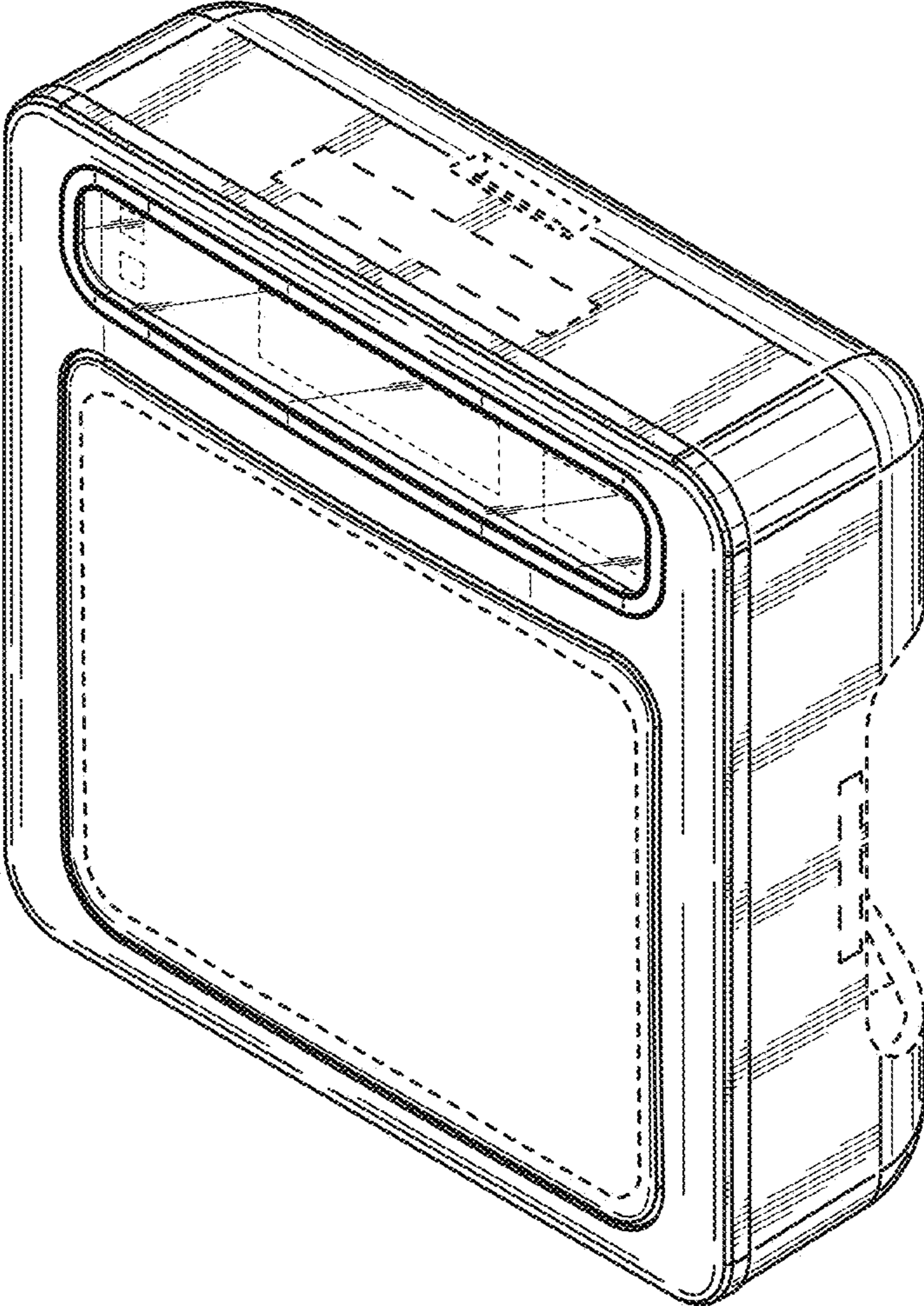


FIGURE 1

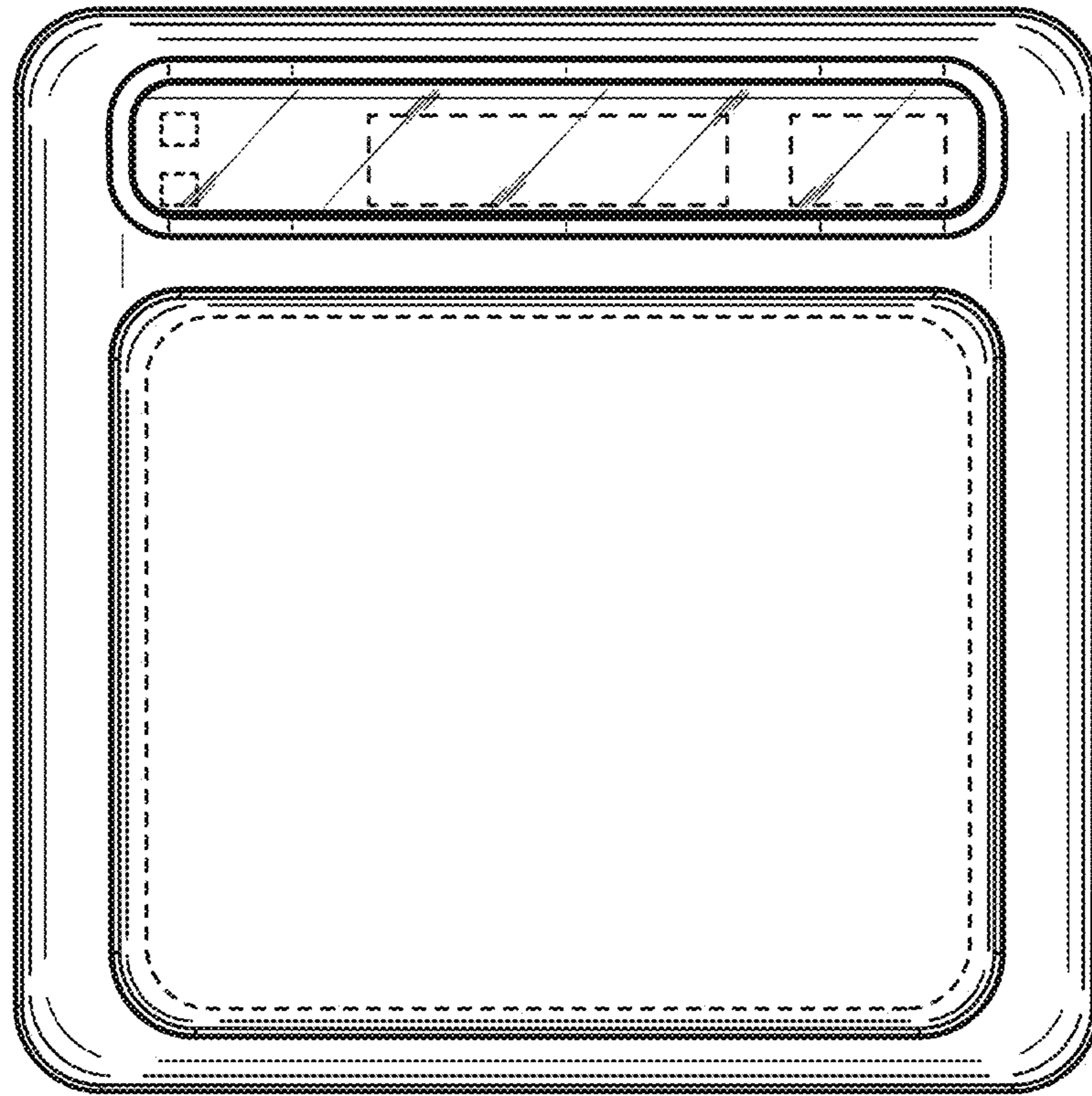


FIGURE 2

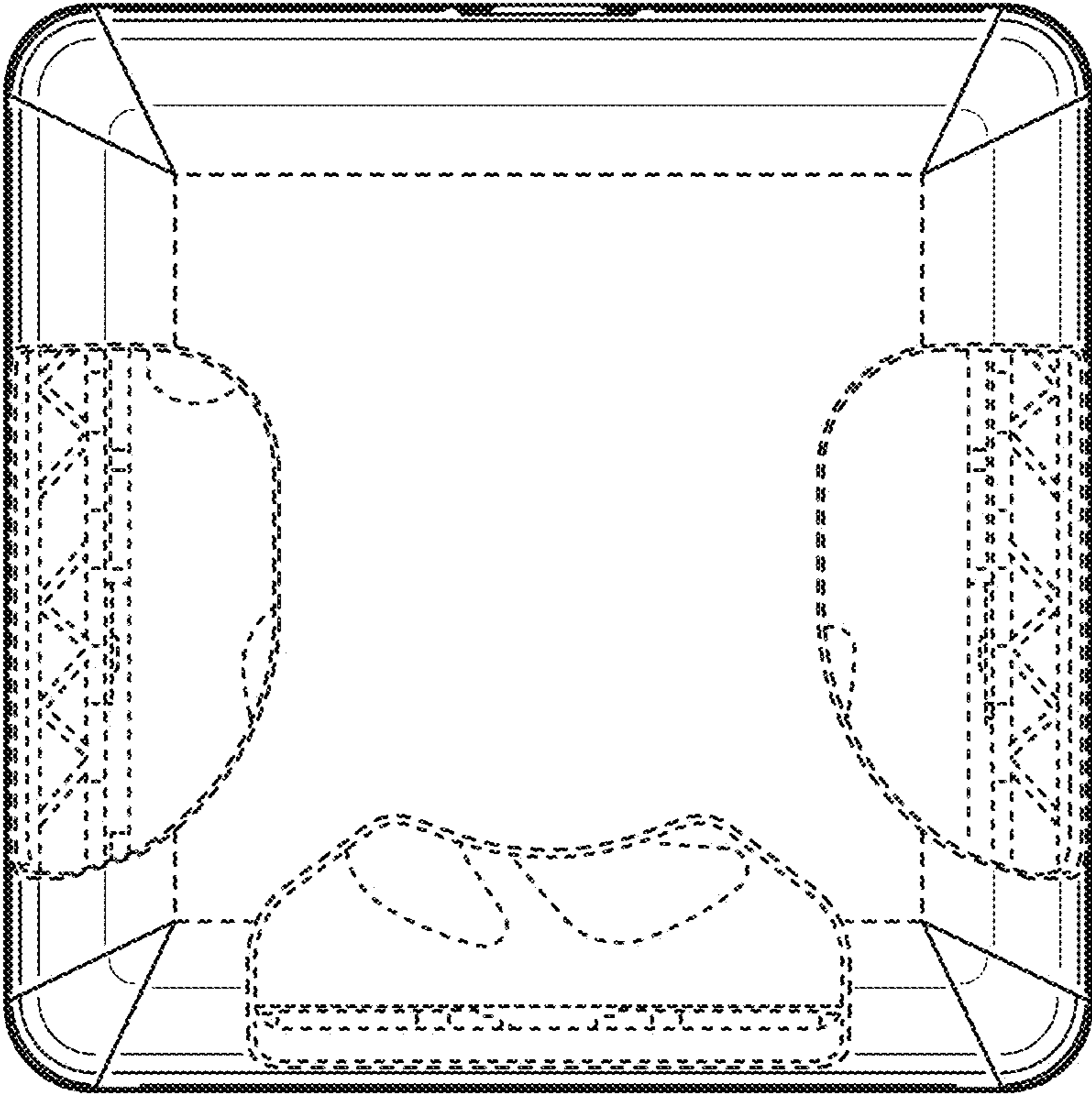


FIGURE 3

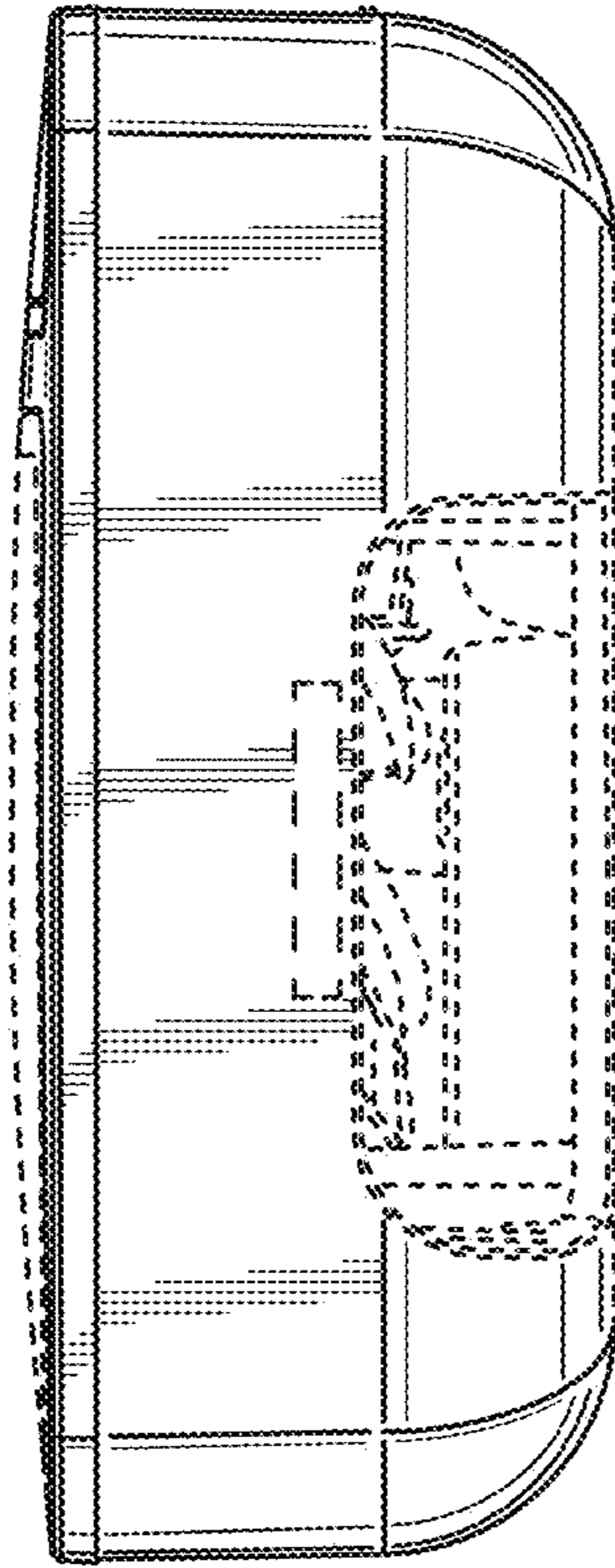


FIGURE 4

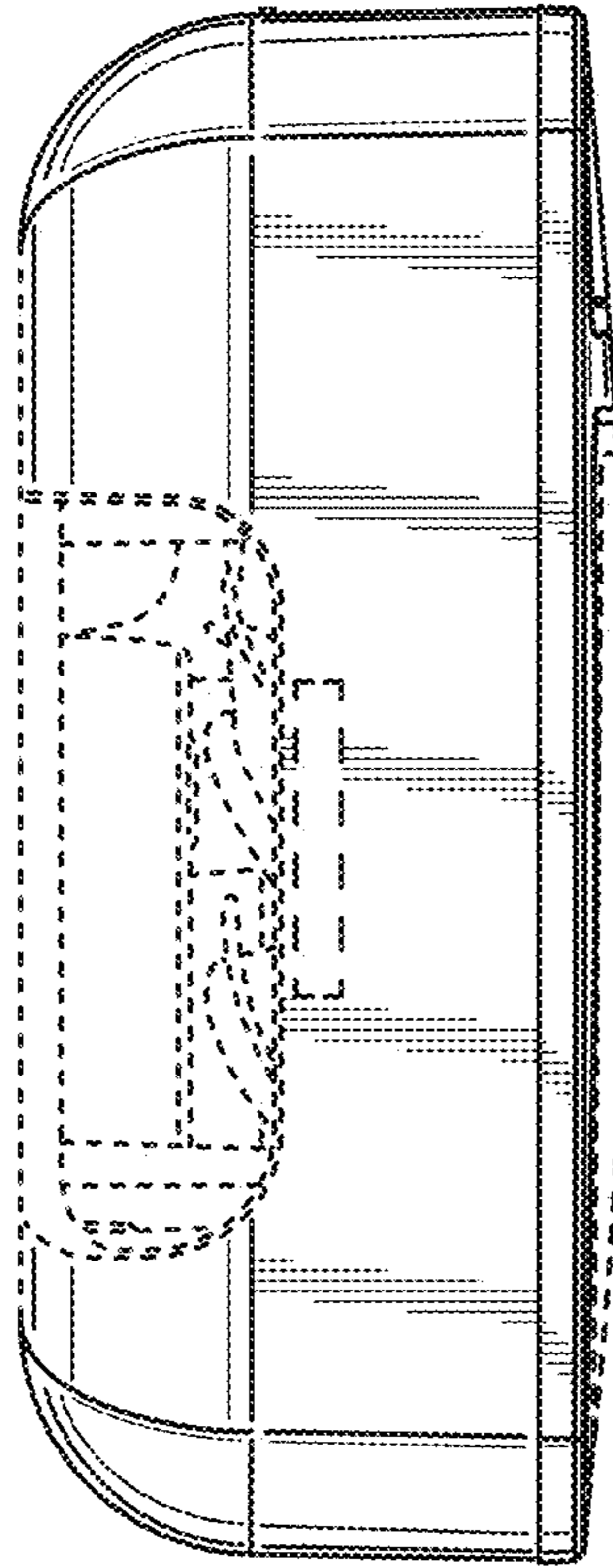


FIGURE 5



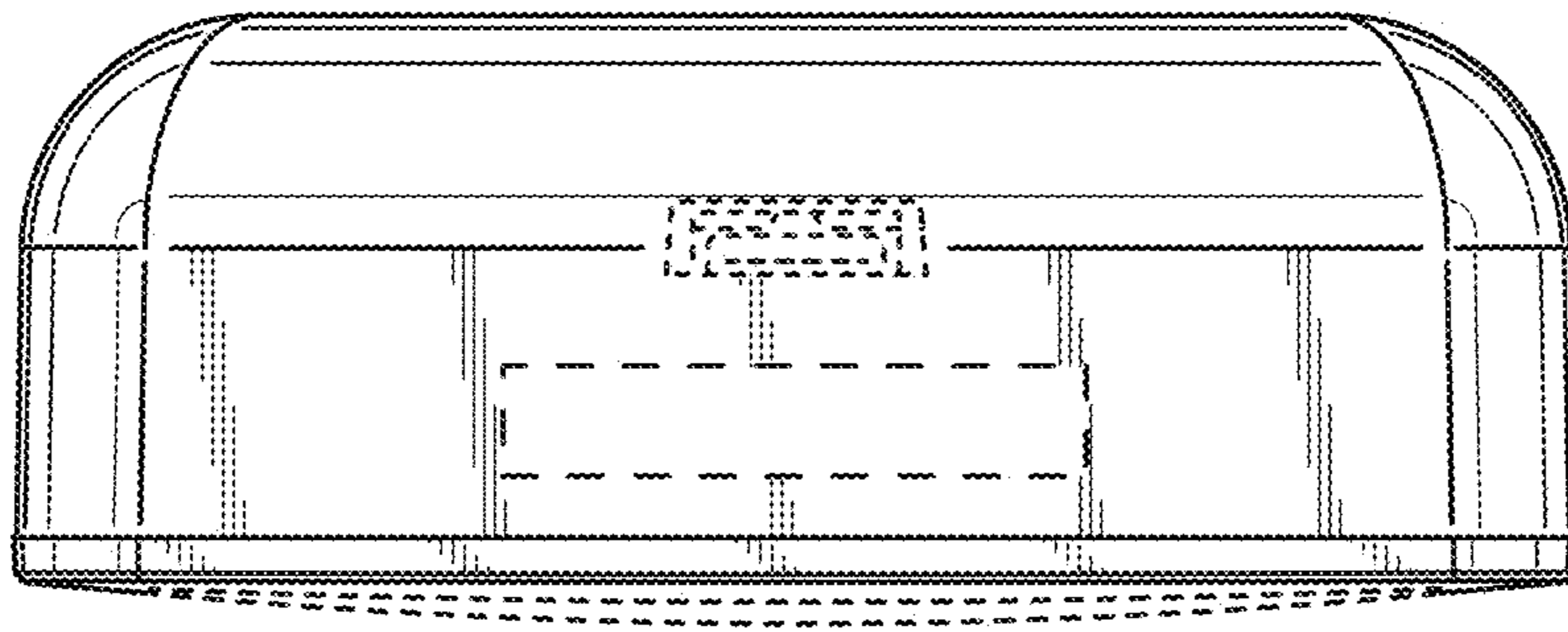


FIGURE 6

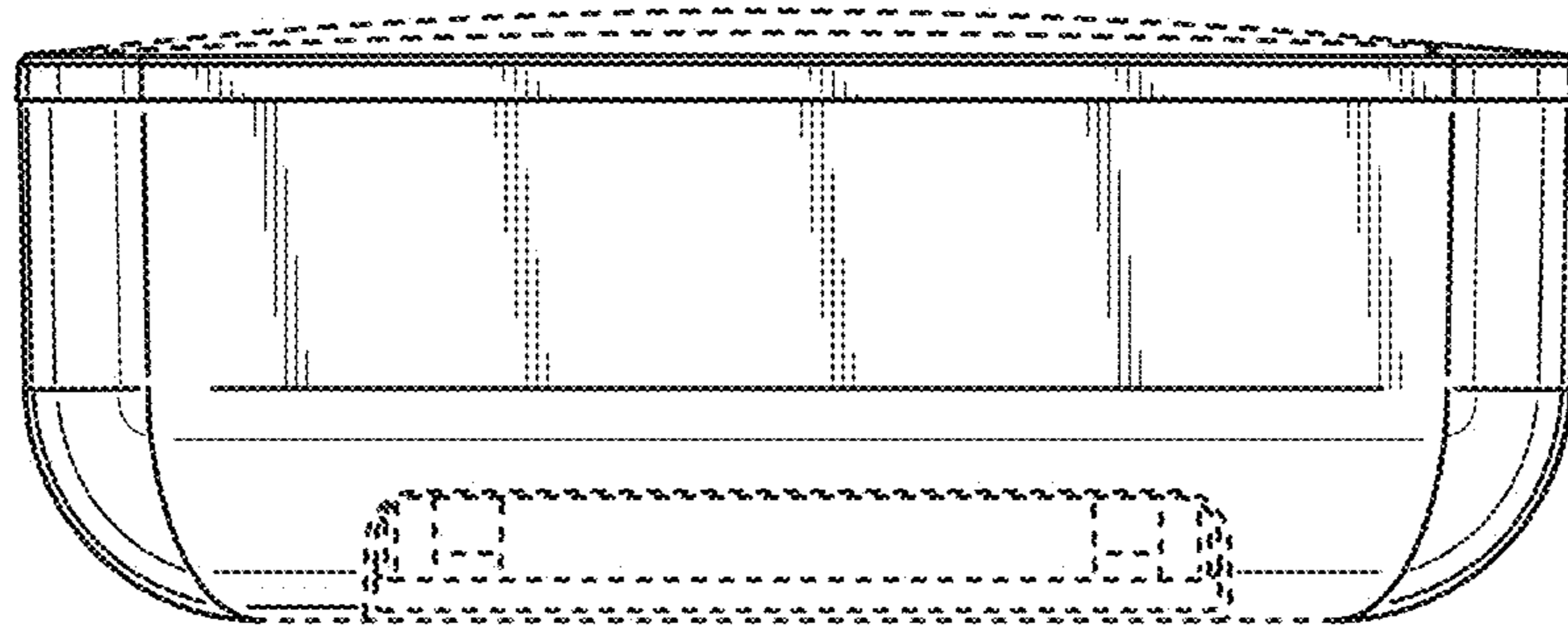


FIGURE 7

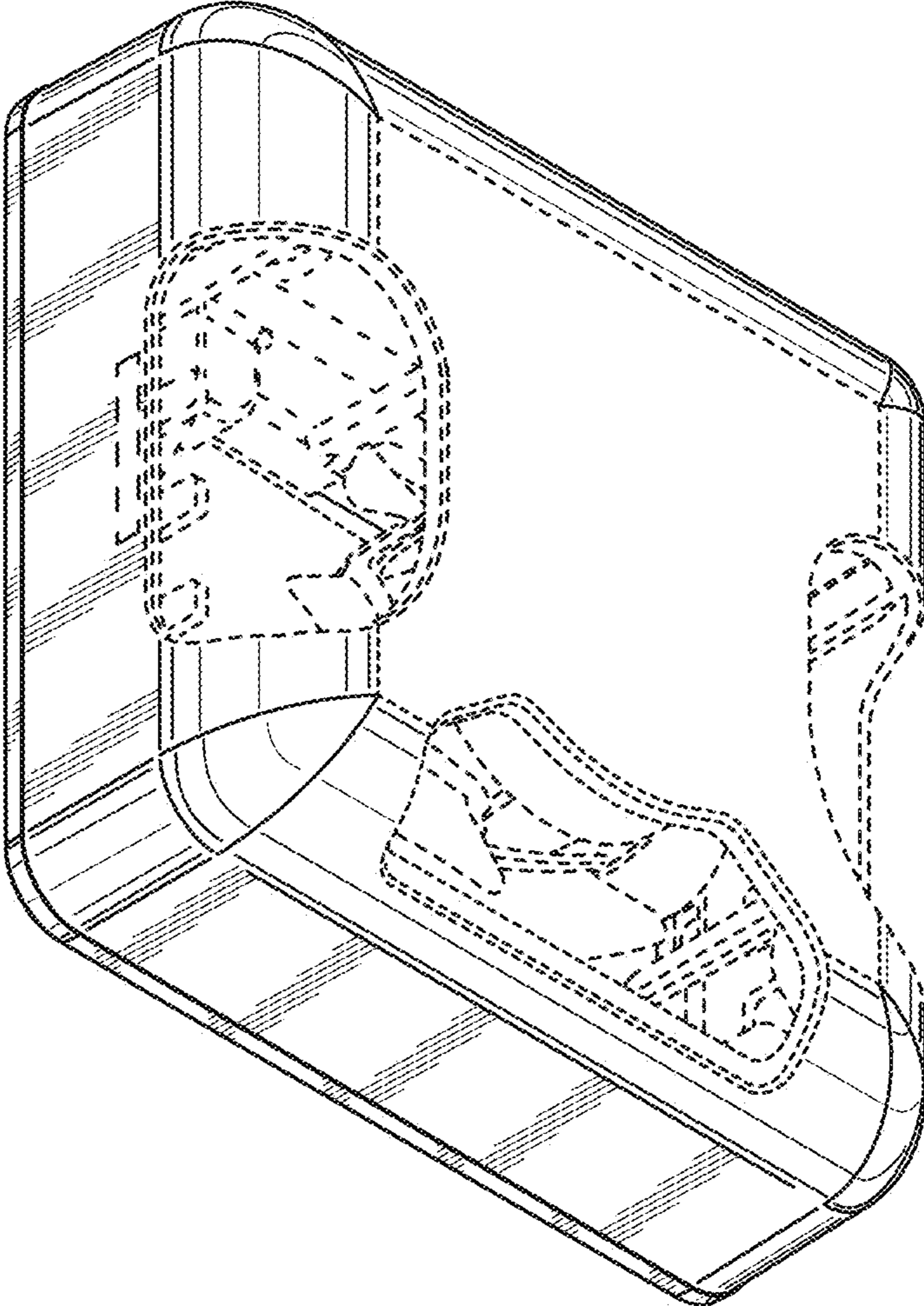


FIGURE 8

UNITED STATES PATENT AND TRADEMARK OFFICE  
**CERTIFICATE OF CORRECTION**

PATENT NO. : D900,291 S  
APPLICATION NO. : 29/659115  
DATED : October 27, 2020  
INVENTOR(S) : Douglas S. Brown et al.

Page 1 of 1

It is certified that error appears in the above-identified patent and that said Letters Patent is hereby corrected as shown below:

On the Title Page

Column 2, Item (57), Lines 1-2, under Description, after “view of” delete “a second embodiment of”.

Signed and Sealed this  
Sixteenth Day of March, 2021



Drew Hirshfeld  
*Performing the Functions and Duties of the  
Under Secretary of Commerce for Intellectual Property and  
Director of the United States Patent and Trademark Office*