

US00D900287S

(12) **United States Design Patent**  
**Perkins**

(10) **Patent No.:** **US D900,287 S**

(45) **Date of Patent:** **\*\* Oct. 27, 2020**

(54) **COLLAPSIBLE TRAVEL POTTY**

D627,009 S \* 11/2010 Lu ..... D21/419  
10,219,659 B1 \* 3/2019 Armstrong ..... A47K 11/06  
10,478,025 B2 \* 11/2019 Dunn ..... A47K 11/06

(71) Applicant: **Constable Group Limited**, Colchester  
(GB)

\* cited by examiner

(72) Inventor: **Anne-Marie Perkins**, Colchester (GB)

*Primary Examiner* — Robert A Delehanty

(73) Assignee: **Constable Group Limited**, Colchester  
Suffolk (GB)

(74) *Attorney, Agent, or Firm* — Faegre Drinker Biddle &  
Reath LLP

(\*\*) Term: **15 Years**

(57) **CLAIM**

(21) Appl. No.: **29/685,280**

I claim the ornamental design for a collapsible travel potty,  
as shown and described.

(22) Filed: **Mar. 27, 2019**

(30) **Foreign Application Priority Data**

**DESCRIPTION**

Sep. 27, 2018 (EM) ..... 005662905

(51) **LOC (12) Cl.** ..... **23-02**

(52) **U.S. Cl.**  
USPC ..... **D23/296**

(58) **Field of Classification Search**  
USPC ..... D23/296, 299, 303, 309, 311  
CPC ..... A47K 13/06  
See application file for complete search history.

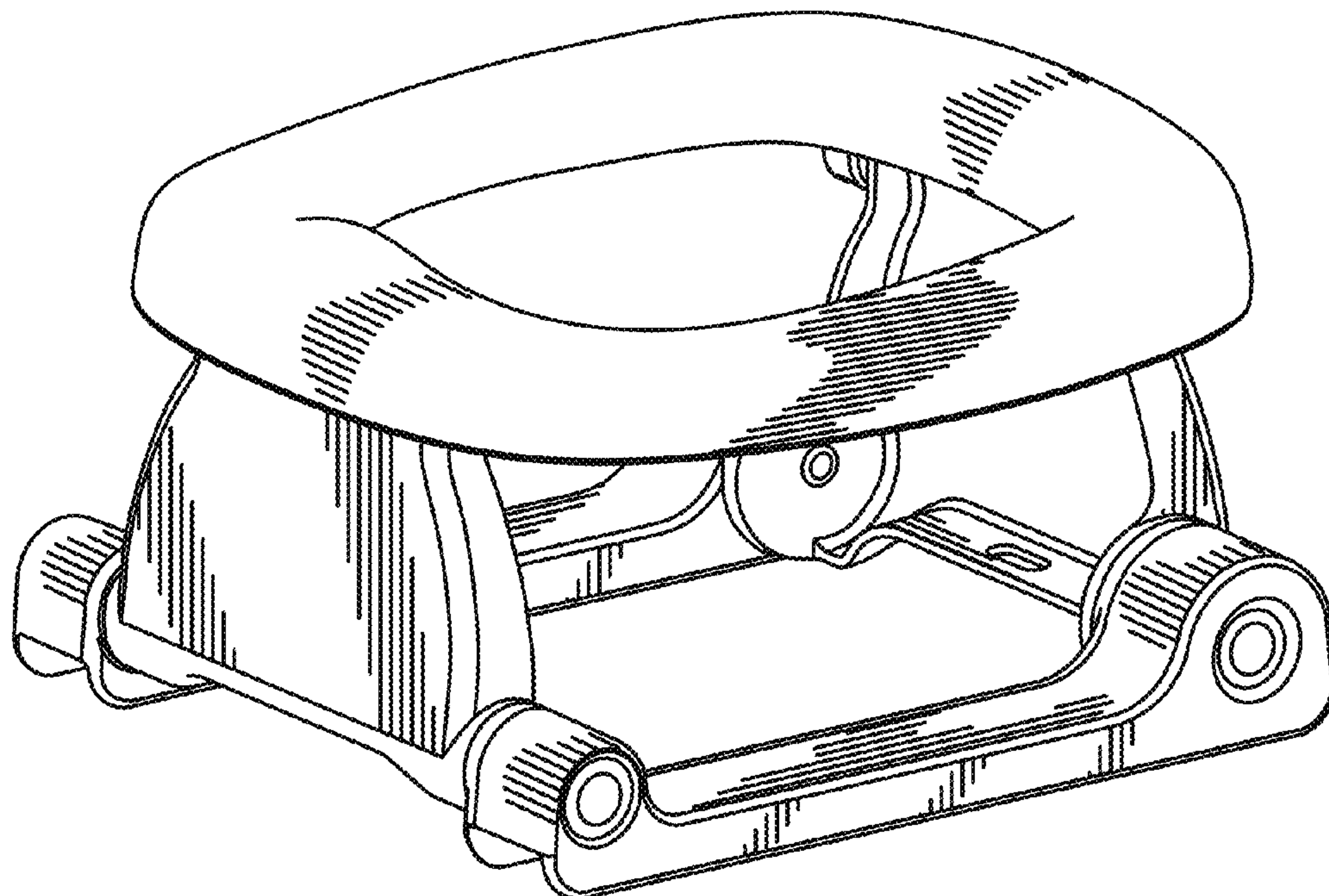
FIG. 1 is a top perspective view of the subject collapsible travel potty in the folded position.  
FIG. 2 is a top perspective view of the subject collapsible travel potty in the deployed position.  
FIG. 3 is a side view of the subject collapsible travel potty in the deployed position.  
FIG. 4 is a top view of the subject collapsible travel potty in the folded position.  
FIG. 5 is a collapsible top view of the subject travel potty in the deployed position.  
FIG. 6 is a front view of the subject collapsible travel potty in the deployed position.  
FIG. 7 is a side view of the subject collapsible travel potty in the folded position.  
FIG. 8 is a front view of the subject collapsible travel potty in the folded position; and,  
FIG. 9 is a front view of the subject collapsible travel potty in the deployed position.

(56) **References Cited**

**U.S. PATENT DOCUMENTS**

2,804,121 A \* 8/1957 Singleton ..... A47K 11/04  
4/483  
5,265,285 A \* 11/1993 Loebbert ..... A47K 11/04  
4/484  
D520,616 S \* 5/2006 Sharp ..... D23/303  
7,334,273 B2 \* 2/2008 Thomas ..... A47K 11/06  
4/483  
D620,089 S \* 7/2010 Elliot ..... D23/299

**1 Claim, 9 Drawing Sheets**



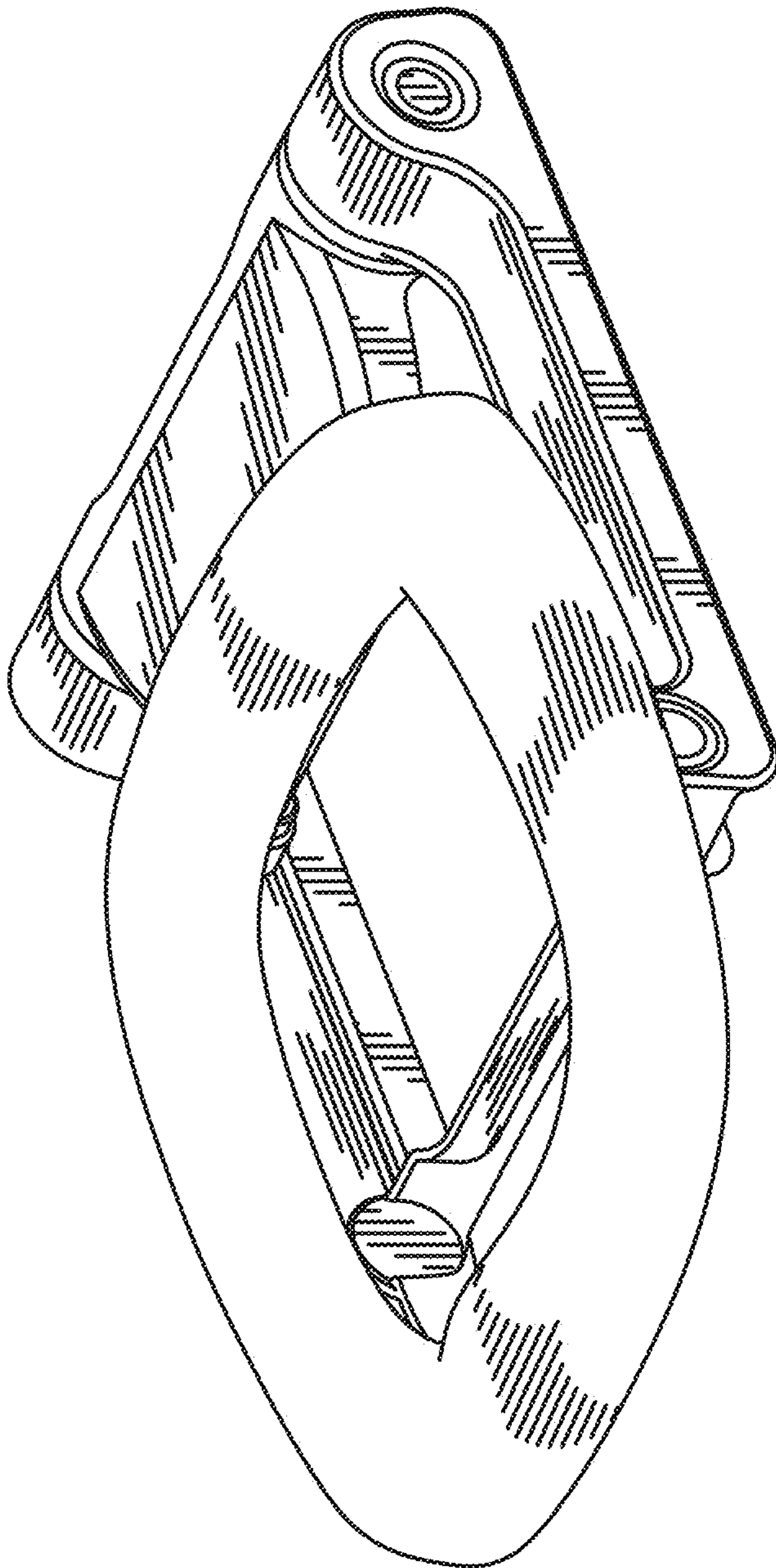


FIG. 1

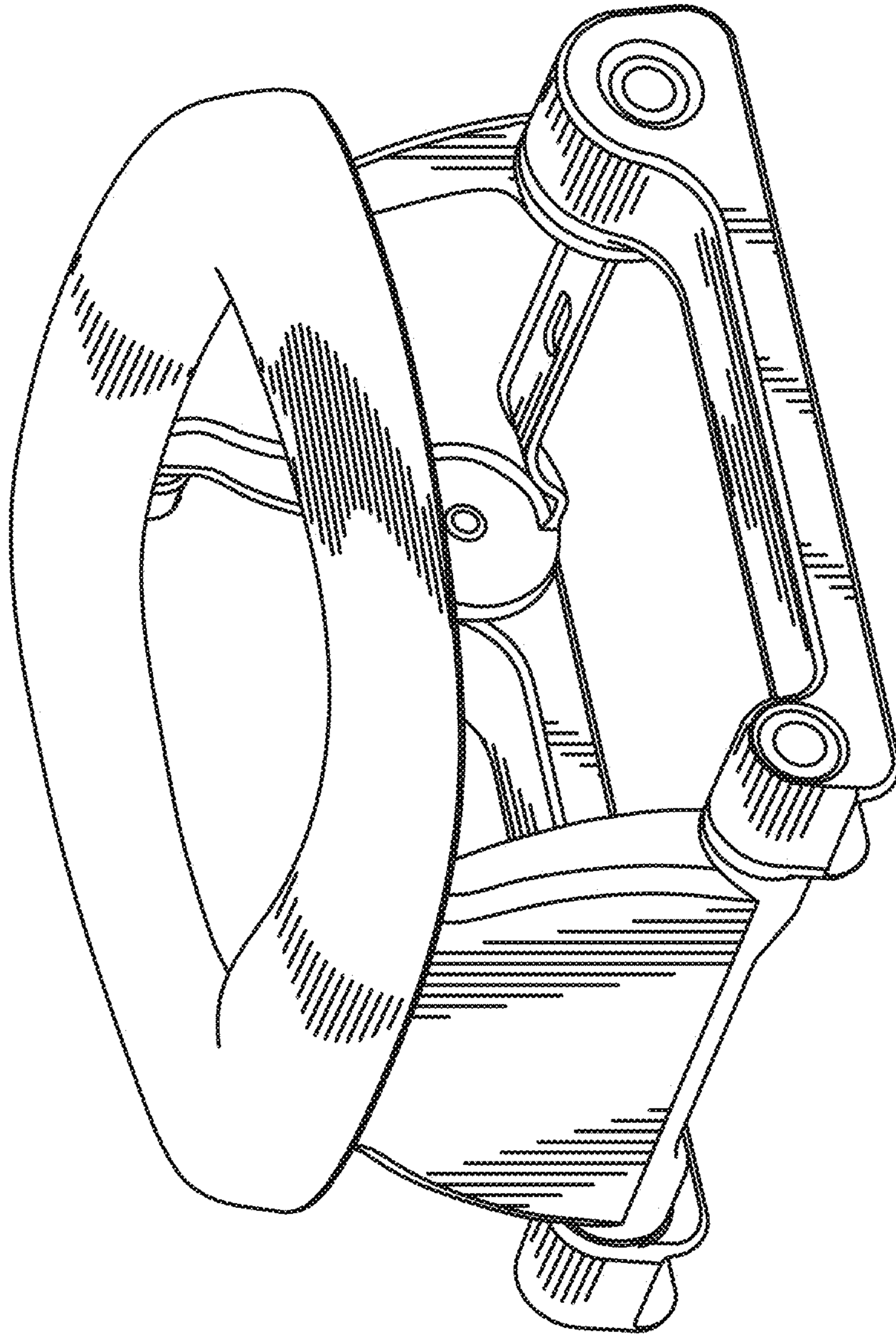


FIG. 2



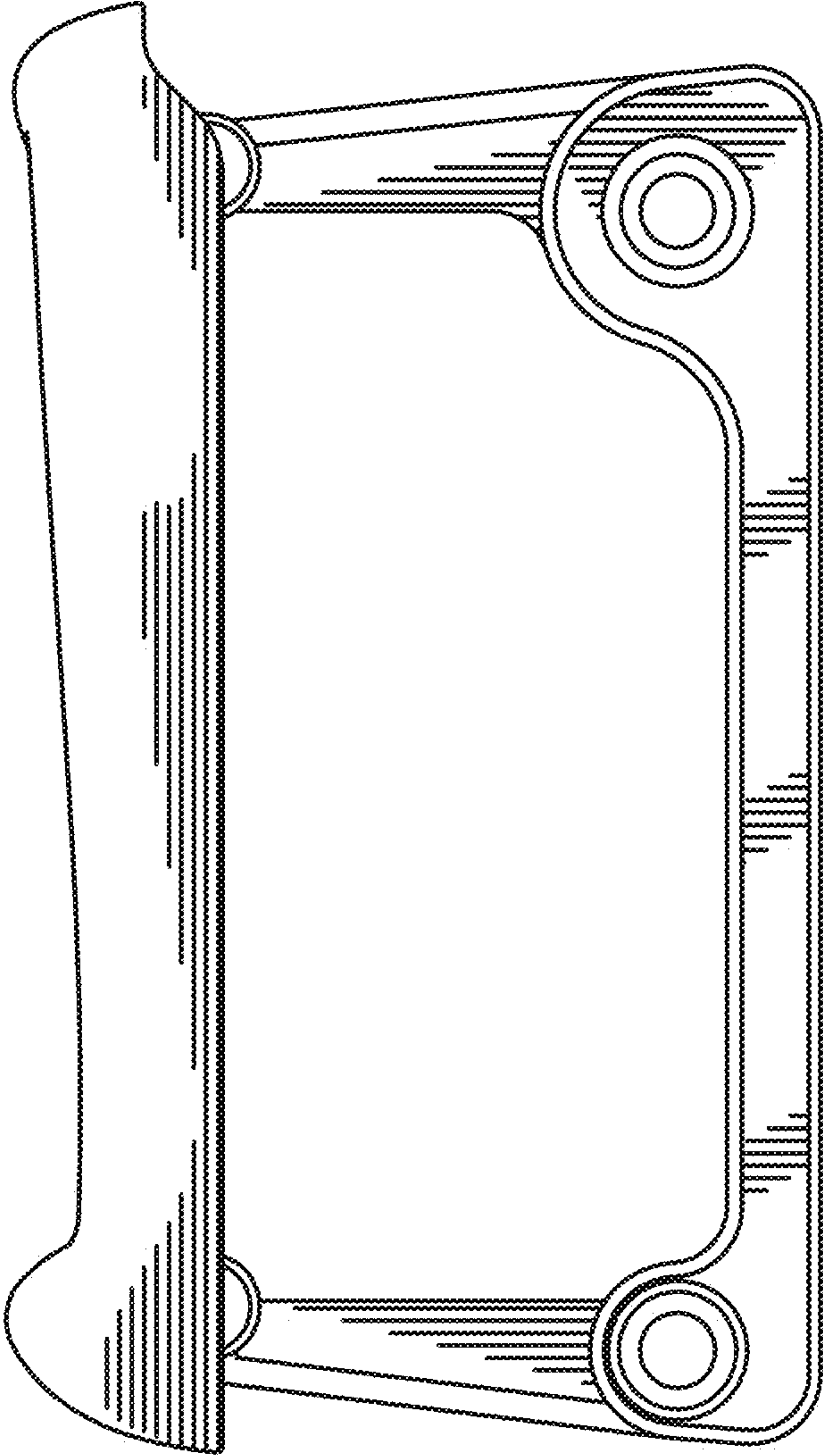


FIG. 3

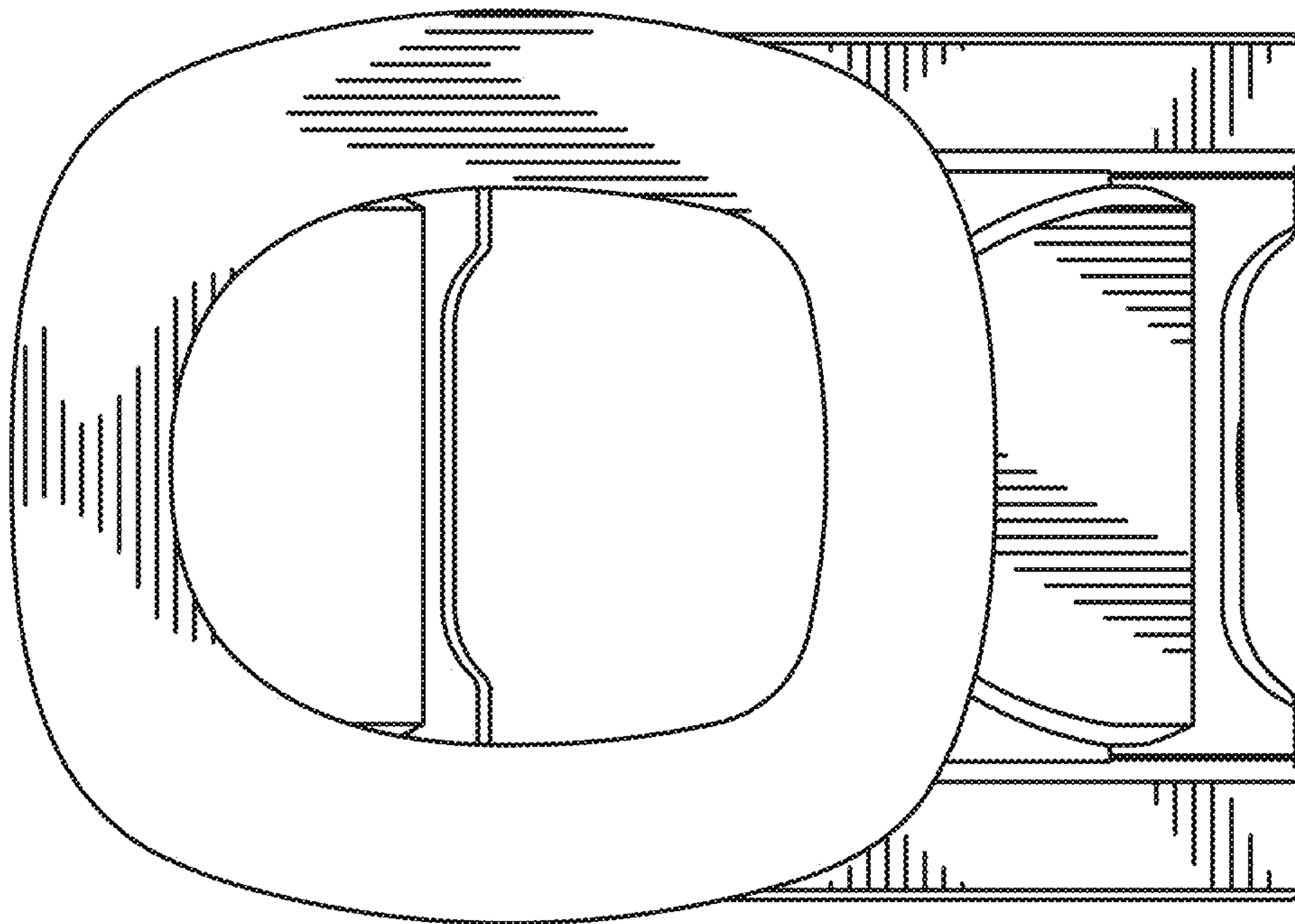


FIG. 4

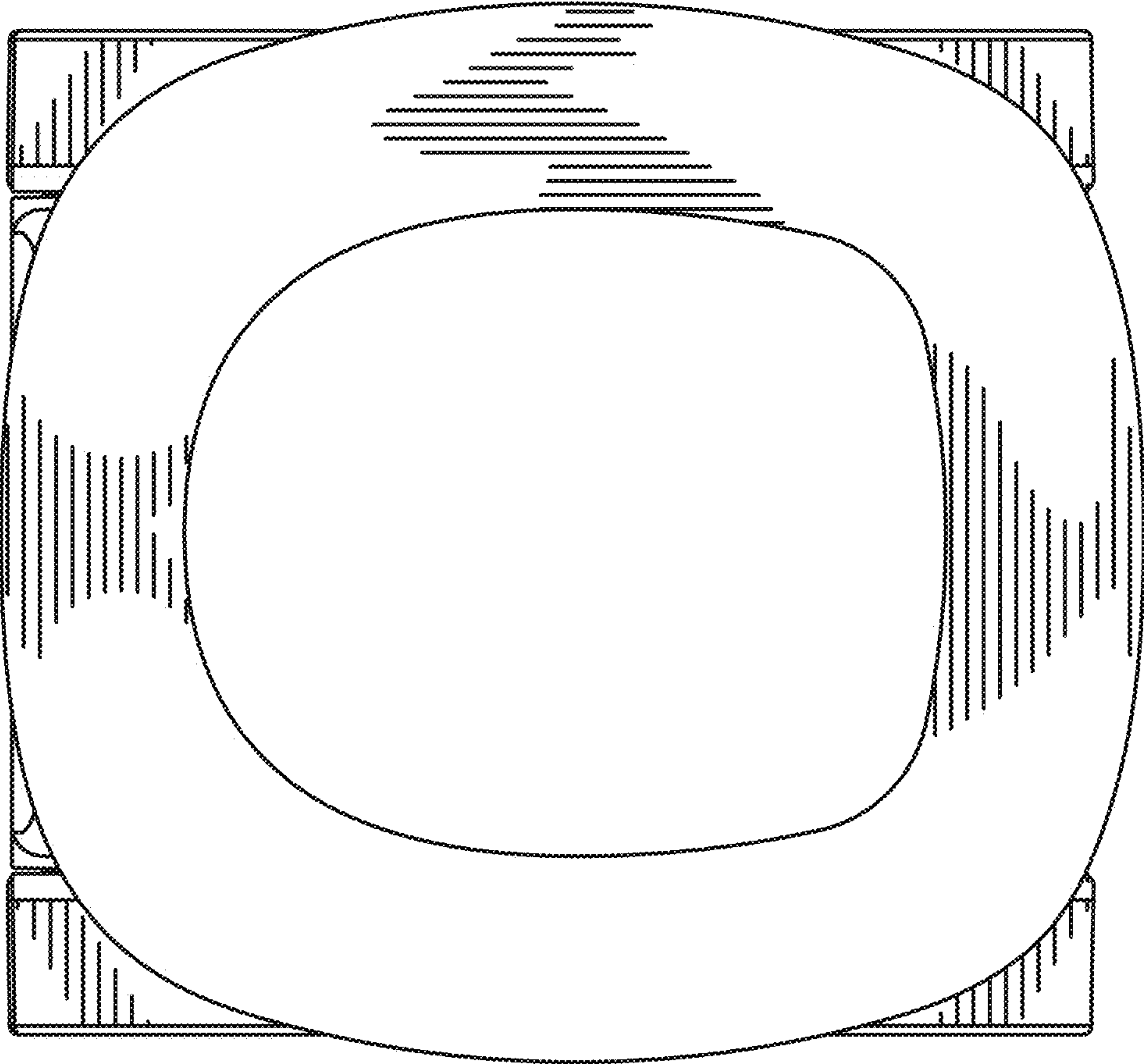


FIG. 5

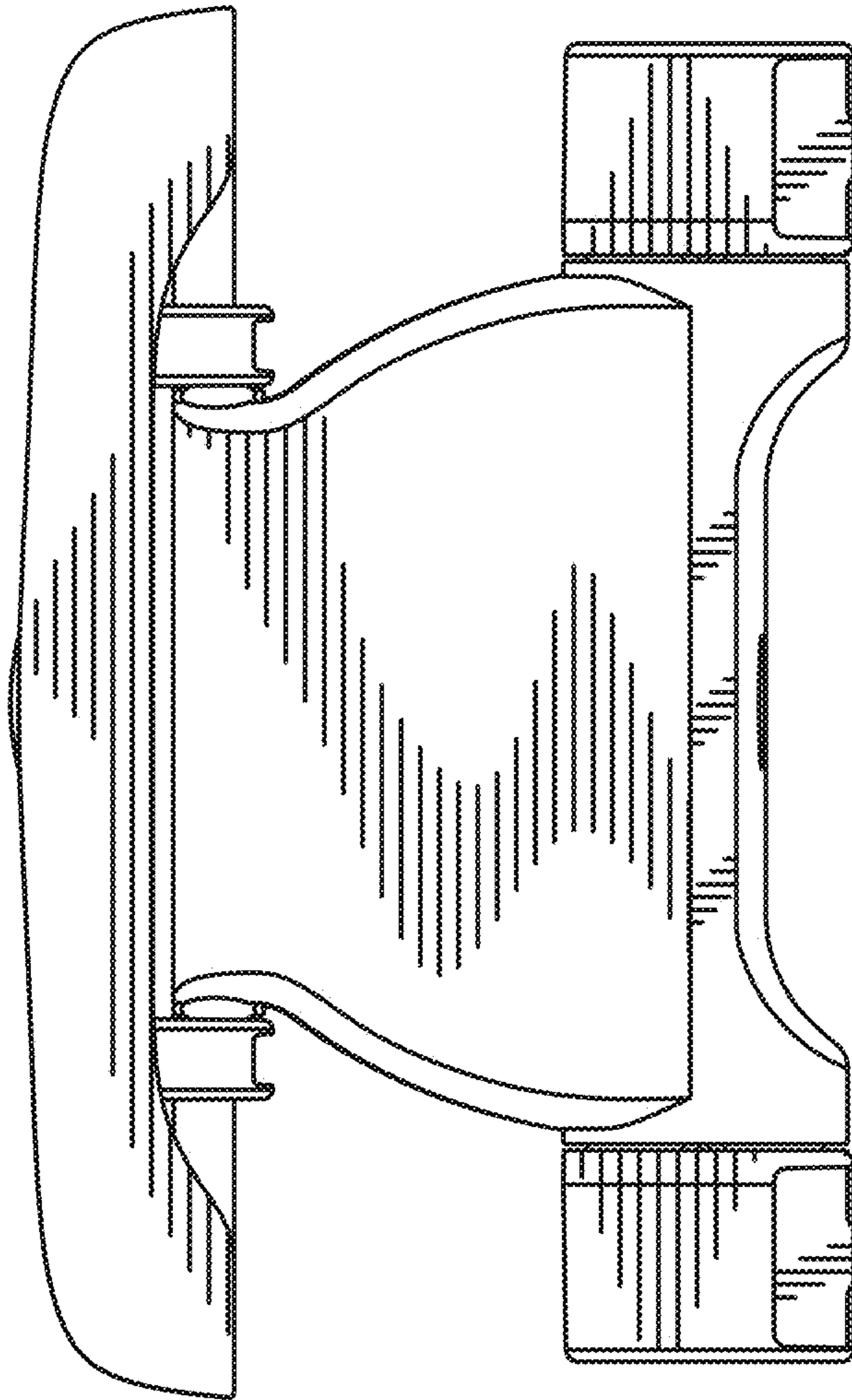


FIG. 6

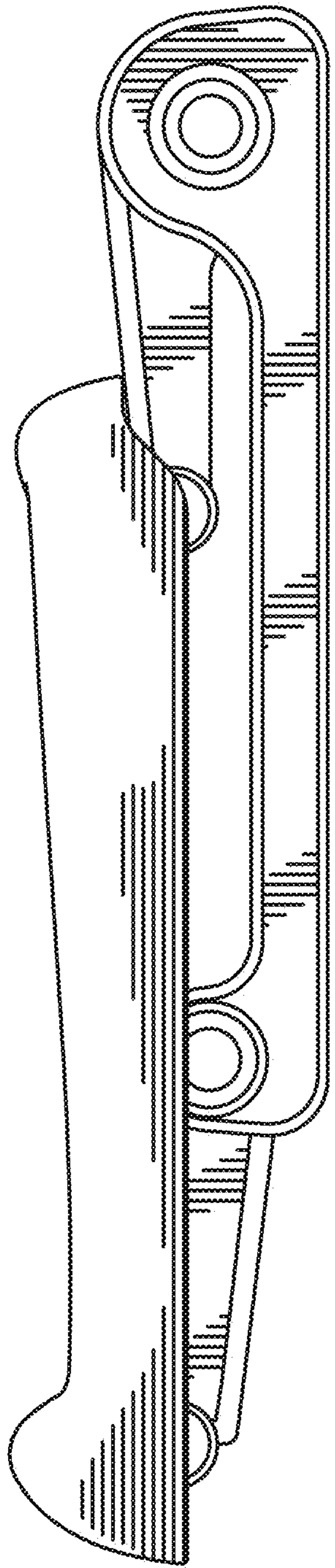


FIG. 7



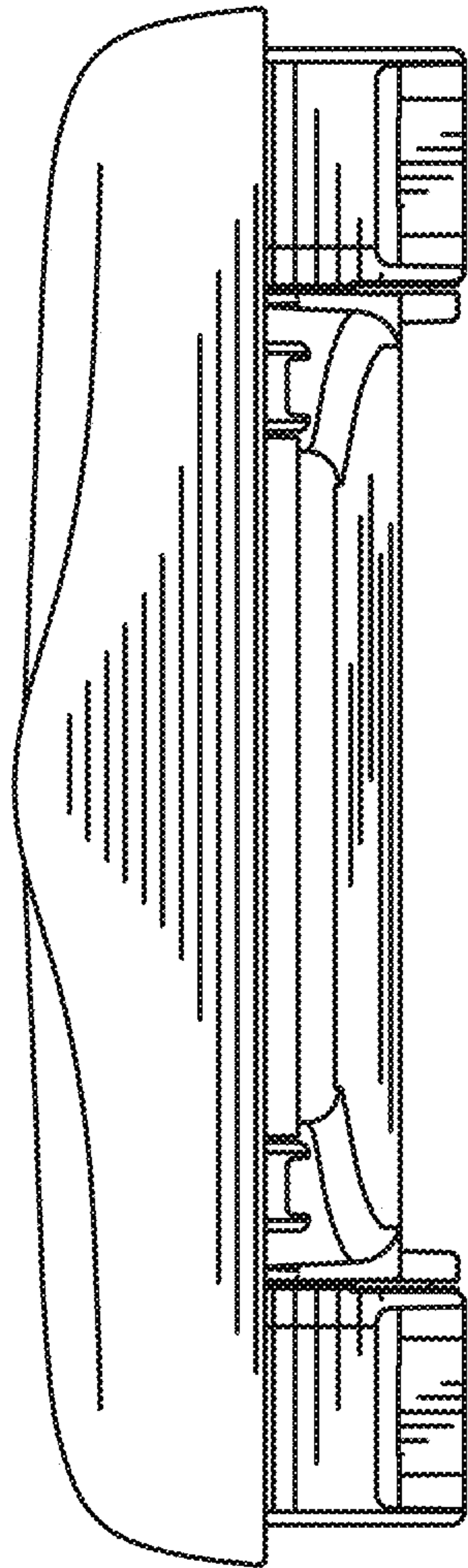


FIG. 8

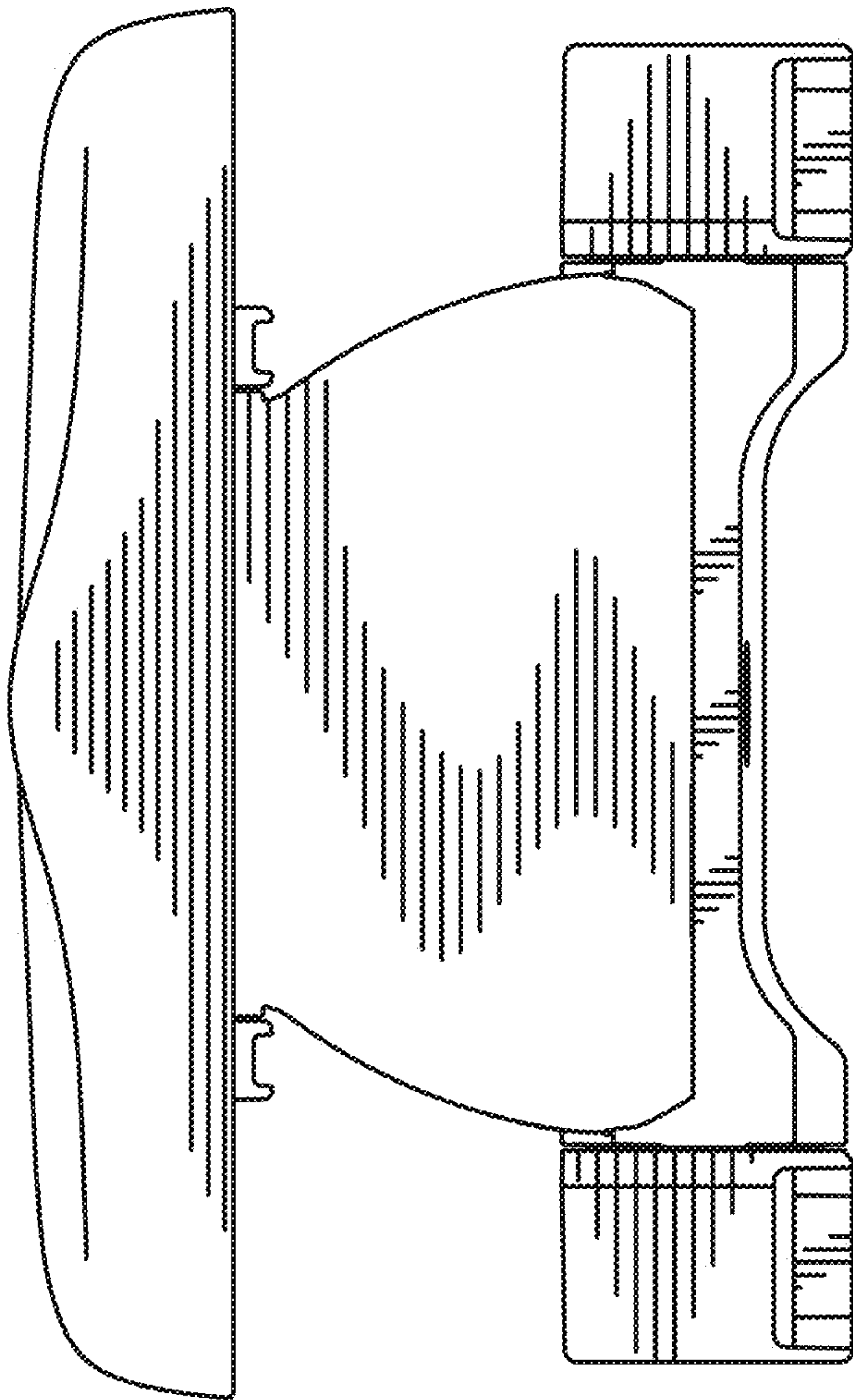


FIG. 9