



US00D900286S

(12) **United States Design Patent**  
**Daughters**

(10) **Patent No.:** **US D900,286 S**

(45) **Date of Patent:** **\*\* Oct. 27, 2020**

- (54) **PIPE FITTING**
- (71) Applicant: **GAMECHANGER FITTINGS, LLC**,  
Geneva, OH (US)
- (72) Inventor: **Dana L. Daughters**, Geneva, OH (US)
- (73) Assignee: **GAMECHANGER FITTINGS, LLC**,  
Geneva, OH (US)
- (\*\*) Term: **15 Years**

D56,439 S	10/1920	Klemme	
1,442,998 A *	1/1923	Blackwood .....	E03C 1/12 285/129.2
1,459,585 A	6/1923	Felton	
1,629,208 A	5/1927	Ernst	
2,121,558 A	6/1938	Coe	
2,128,292 A	8/1938	Finn	
2,316,724 A *	4/1943	Sperry .....	D06F 39/10 4/288
2,567,165 A	9/1951	Buskirk	
3,014,222 A	12/1961	Pope	
3,825,286 A	7/1974	Henry, III	
3,995,888 A *	12/1976	McIlroy .....	E03C 1/284 285/4

(21) Appl. No.: **29/696,347**

(Continued)

(22) Filed: **Jun. 27, 2019**

(51) **LOC (12) Cl.** ..... **23-01**

(52) **U.S. Cl.**  
USPC ..... **D23/263; D23/262**

(58) **Field of Classification Search**  
USPC ..... D23/259, 262-266, 268; 285/179, 179.1,  
285/183, 148.14, 148.19, 148.21, 345,  
285/388, 390, 377, 148.2, 328, 921  
CPC ... F16L 21/00; F16L 9/16; F16L 59/11; F16L  
43/002

See application file for complete search history.

(56) **References Cited**

**U.S. PATENT DOCUMENTS**

RE3,062 E	8/1868	McLeod	
D2,865 S	10/1893	Pierce	
D28,572 S	5/1898	Rose	
D29,983 S	1/1899	Byrnes	
D31,553 S	9/1899	Glauber	
D33,224 S	9/1900	Thompson	
675,090 A	5/1901	Fruin et al.	
794,165 A	7/1905	Dozier et al.	
810,047 A	1/1906	Fruin	
872,331 A *	12/1907	Dreier .....	F16L 41/086 285/142.1
918,137 A	4/1909	Fleming	
1,081,633 A	12/1913	Smith	
1,152,974 A *	9/1915	Rice .....	F16L 41/086 285/142.1

**OTHER PUBLICATIONS**

Gamechanger Fitting Video Frame 1:50/1:59 YouTube; Published Dec. 10 2017; Visited Online Aug. 17, 2020; [https://www.youtube.com/watch?v=B1f1\\_EMhCHU](https://www.youtube.com/watch?v=B1f1_EMhCHU) (Year: 2017).\*

*Primary Examiner* — Amy C Wierenga  
(74) *Attorney, Agent, or Firm* — Rankin, Hill & Clark LLP

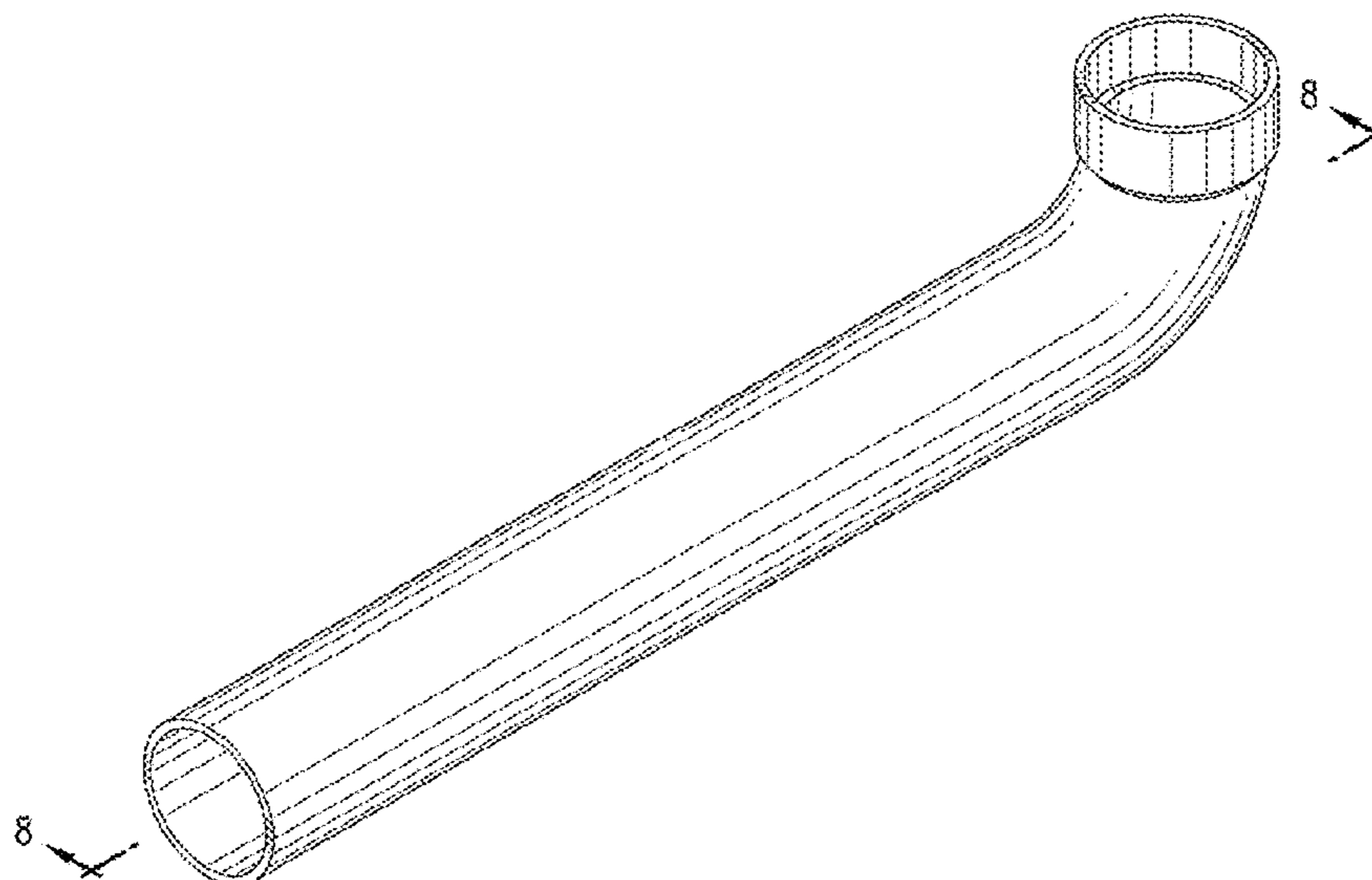
(57) **CLAIM**

The ornamental design for a pipe fitting, as shown and described.

**DESCRIPTION**

FIG. 1 is a front perspective view of a pipe fitting;  
FIG. 2 is a rear perspective view thereof;  
FIG. 3 is a left side elevation view thereof;  
FIG. 4 is a right side elevation view thereof;  
FIG. 5 is a front elevation view thereof, with the rear elevation view being a mirror image;  
FIG. 6 is a top plan view thereof;  
FIG. 7 is a bottom plan view thereof; and,  
FIG. 8 is a front sectional view thereof along line 8-8 of FIG. 1.

**1 Claim, 7 Drawing Sheets**



(56)

References Cited

U.S. PATENT DOCUMENTS

4,031,914 A	6/1977	Neri		D522,616 S	6/2006	Minnick et al.	
D244,937 S	7/1977	Houk		D580,530 S	11/2008	McAlpine	
4,724,858 A	2/1988	Cornwall		D590,481 S	4/2009	Stimpson	
D297,678 S	9/1988	Sisk		D659,809 S	5/2012	Smith	
4,811,431 A	3/1989	Kraverath		D675,290 S	1/2013	Mitchell	
D304,486 S	11/1989	Elder et al.		D676,533 S	2/2013	Clarke	
5,016,923 A *	5/1991	Adamaitis .....	E03C 1/122 285/179	D676,941 S *	2/2013	Kluss .....	D23/262
				D720,048 S	12/2014	Winborn	
5,127,425 A	7/1992	Cornwall		D720,051 S *	12/2014	Dole .....	D23/266
5,183,070 A	2/1993	Cornwall		8,939,471 B2	1/2015	Hawboldt et al.	
D343,889 S	2/1994	Stonecypher		D722,140 S	2/2015	Sisk	
D348,723 S	7/1994	Carroll		D729,357 S *	5/2015	Ball .....	E03C 1/22 D23/263
5,344,193 A	9/1994	Rio					
5,425,600 A	6/1995	Gordon		9,103,560 B2	8/2015	Dempsey et al.	
D431,634 S	10/2000	Mentz		D739,509 S *	9/2015	Bazemore .....	D23/263
D434,478 S *	11/2000	Sanders .....	D23/266	D755,940 S	5/2016	Schulze	
D435,637 S	12/2000	Wales		D770,599 S *	11/2016	Daughters .....	D23/263
D454,940 S	3/2002	Hoenig		D770,600 S *	11/2016	Daughters .....	D23/263
6,422,608 B1	7/2002	Lee et al.		D848,378 S *	5/2019	Gross .....	D13/155
				D857,178 S *	8/2019	Dagdelen .....	D23/259
				2014/0041463 A1	2/2014	Vetthe et al.	
				2016/0363248 A1 *	12/2016	Daughters .....	F16L 41/021

\* cited by examiner

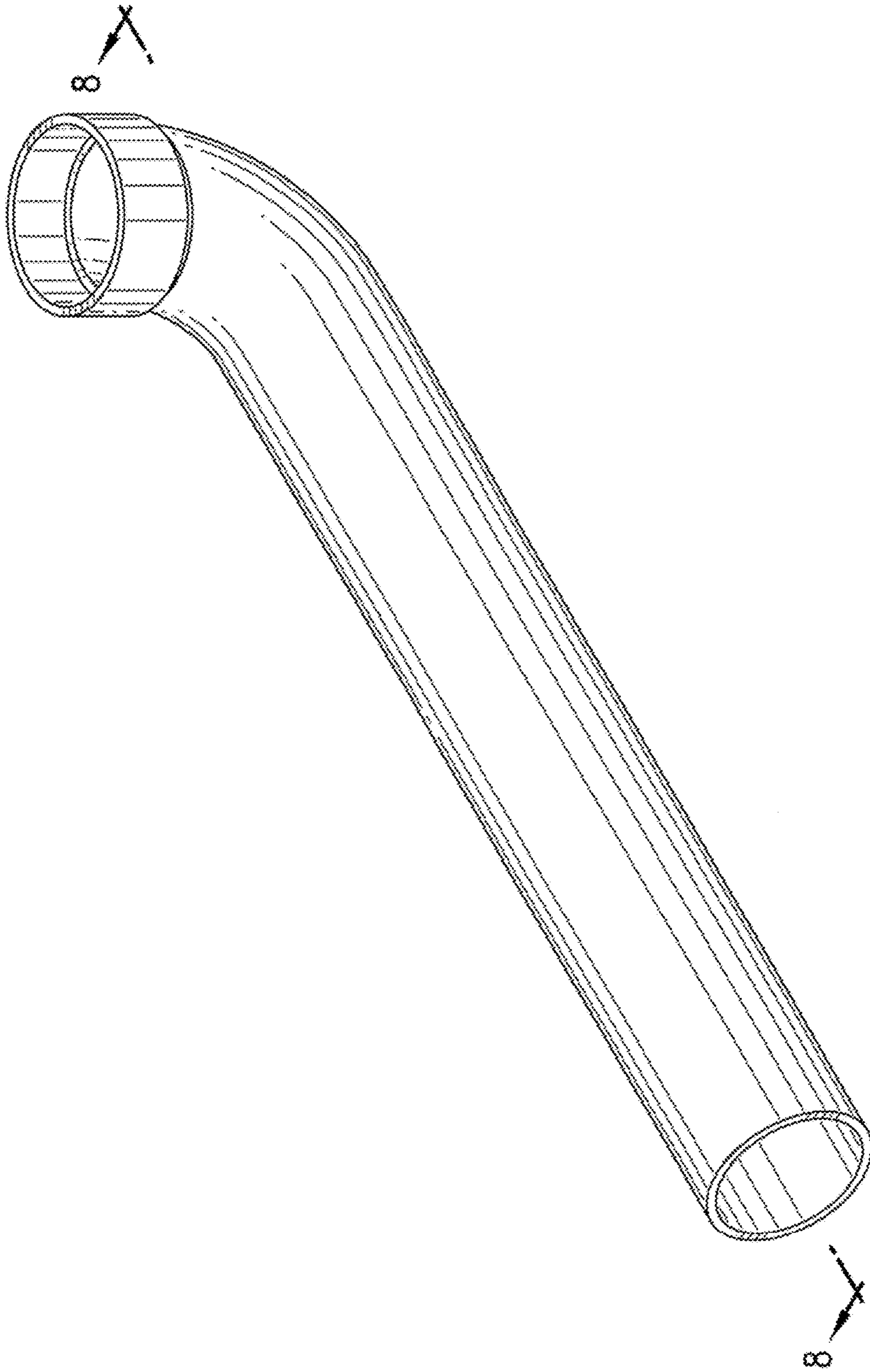


FIG. 1

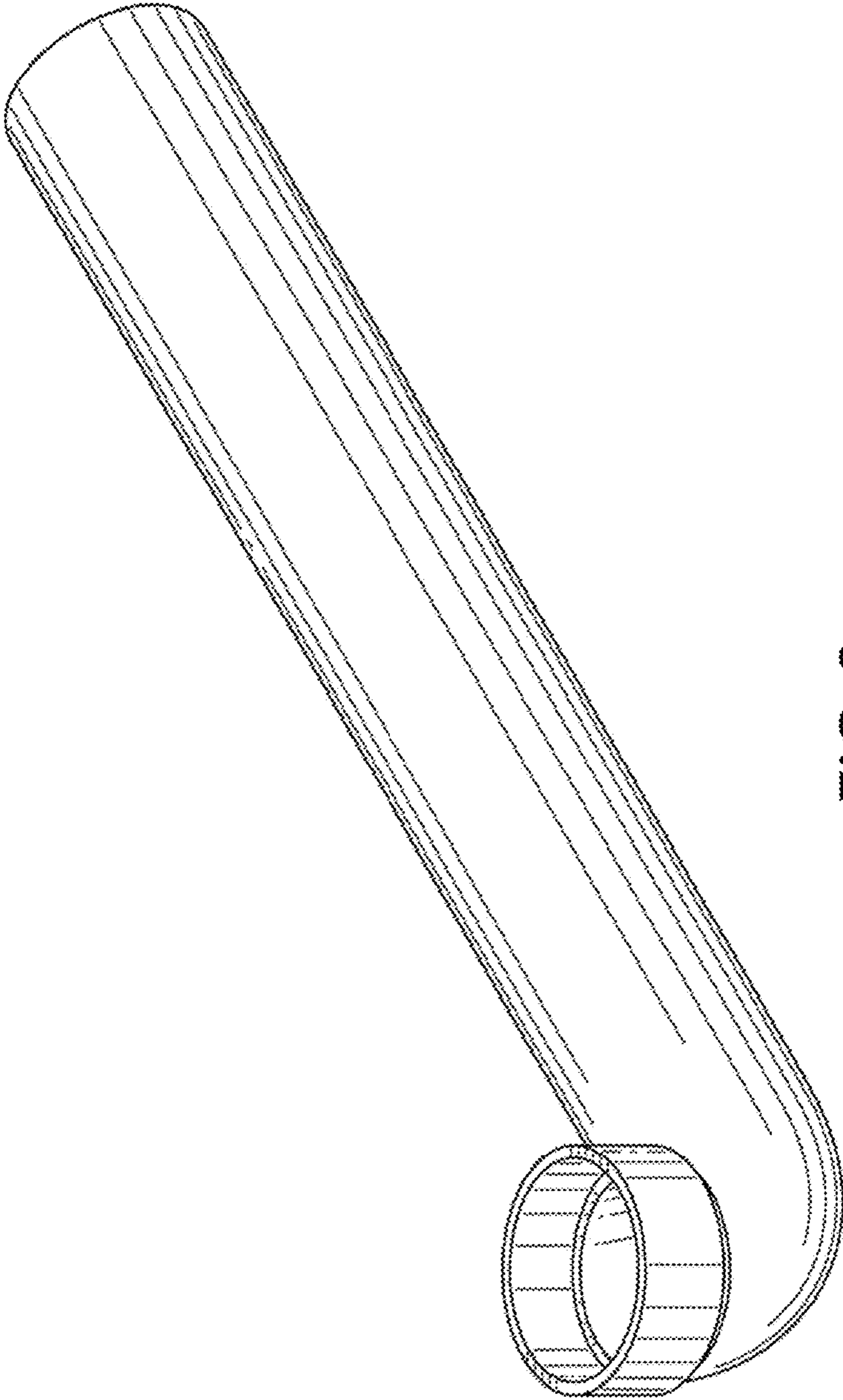


FIG. 2



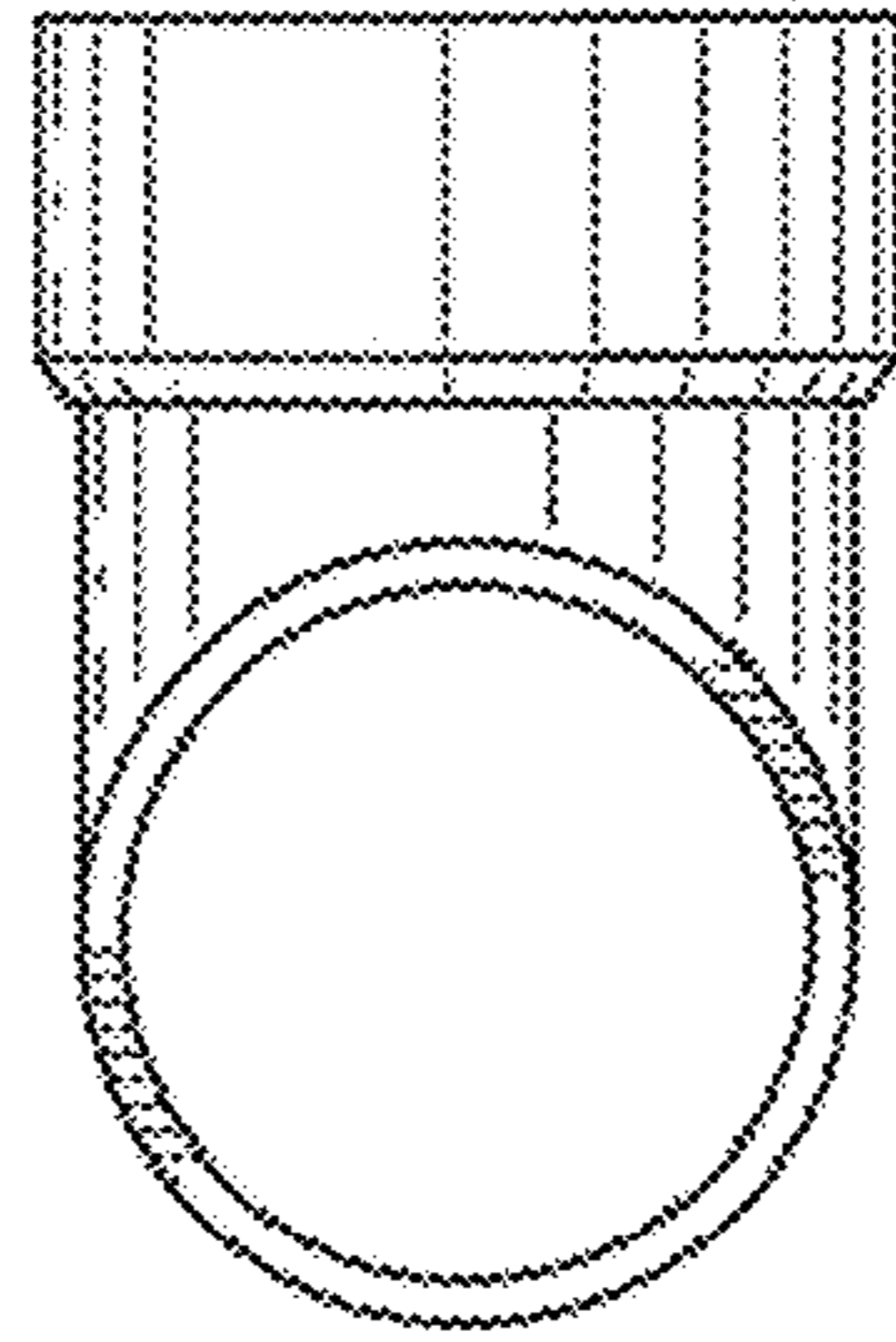


FIG. 3

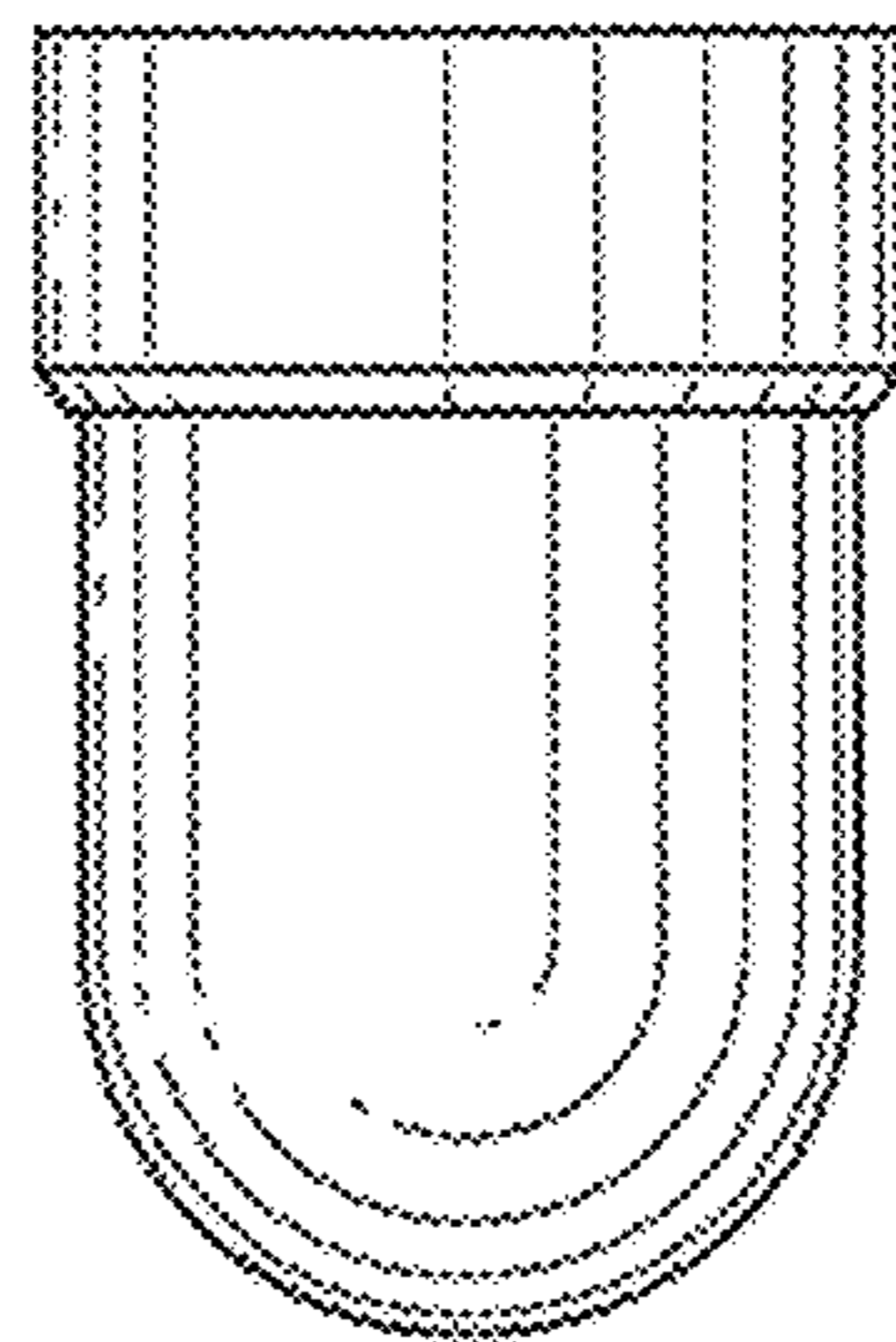


FIG. 4

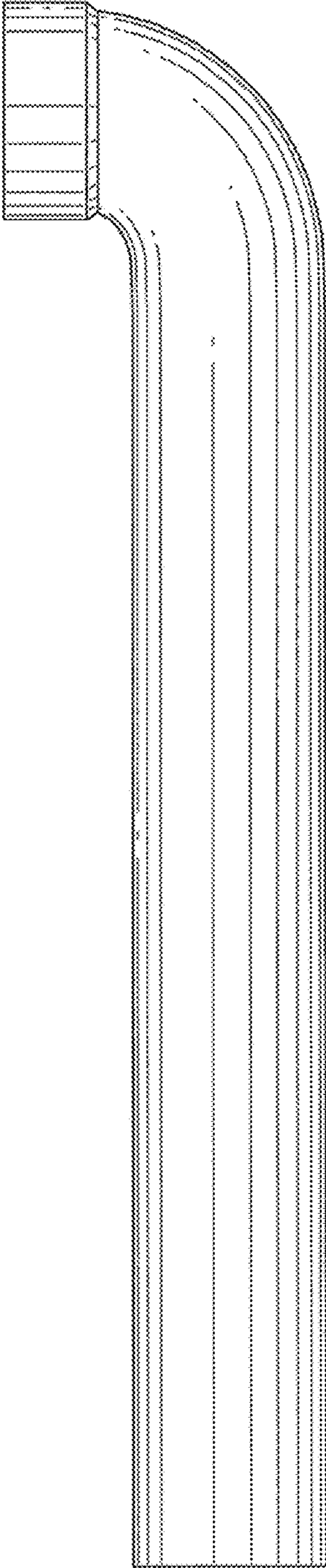


FIG. 5

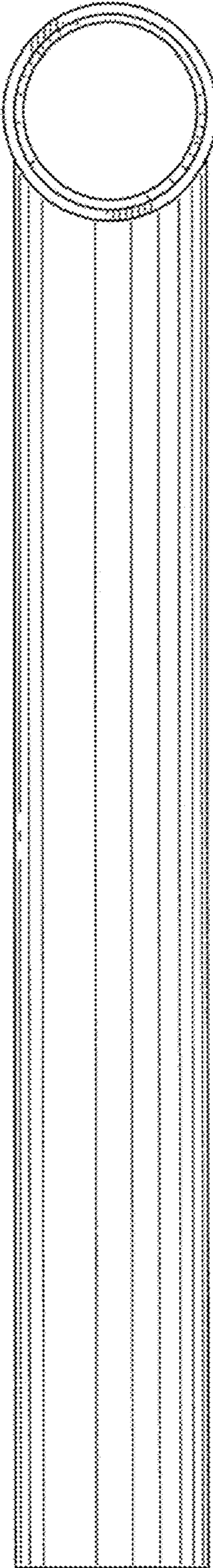


FIG. 6

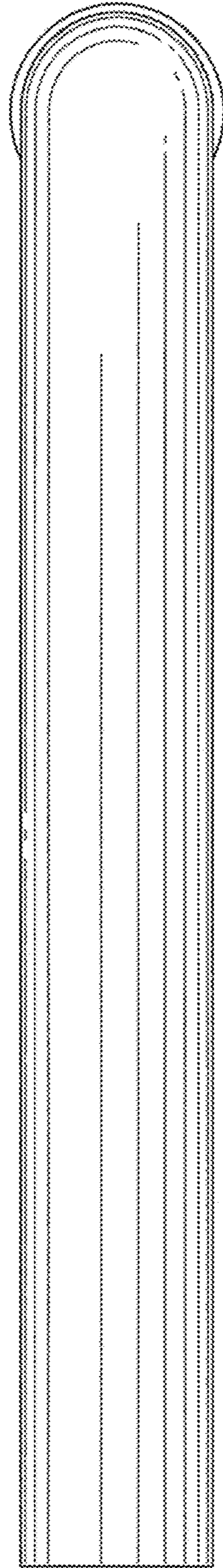


FIG. 7



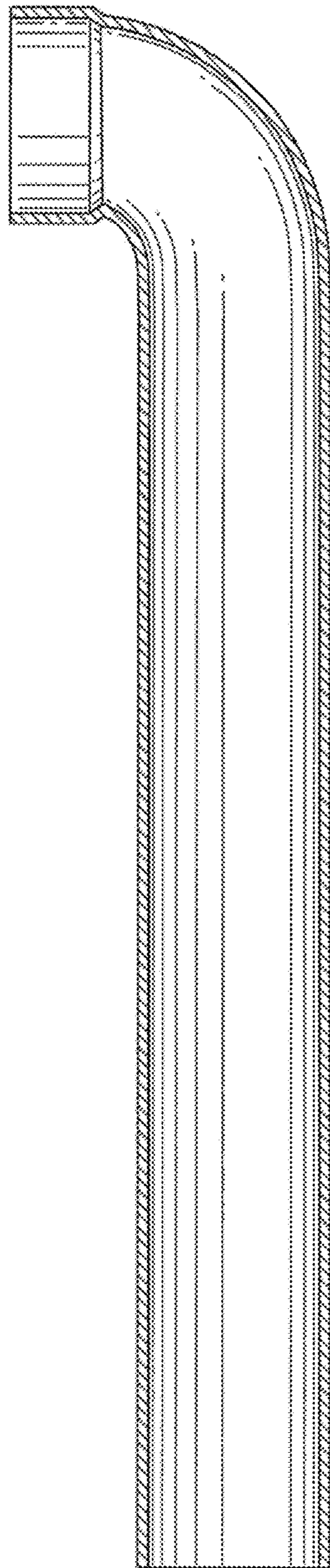


FIG. 8