



US00D900285S

(12) **United States Design Patent** (10) **Patent No.:** **US D900,285 S**
Liu (45) **Date of Patent:** **** Oct. 27, 2020**

(54) **HAIR CATCHER**

(71) Applicant: **Xiaofeng Liu**, Qingliu (CN)

(72) Inventor: **Xiaofeng Liu**, Qingliu (CN)

(**) Term: **15 Years**

(21) Appl. No.: **29/739,535**

(22) Filed: **Jun. 26, 2020**

(51) **LOC (12) Cl.** **23-01**

(52) **U.S. Cl.**
USPC **D23/261**

(58) **Field of Classification Search**
USPC D23/259-262; 210/163-164; 4/286-295,
4/679, 613, 689, 684
CPC E02D 31/02; E03F 3/046
See application file for complete search history.

(56) **References Cited**

U.S. PATENT DOCUMENTS

- 1,494,882 A * 5/1924 Barger E03C 1/264
4/292
- 2,094,286 A * 9/1937 Vogt E03C 1/264
4/292
- D550,819 S * 9/2007 Seehoff D23/261
- D629,591 S 12/2010 Nguyen
- D683,436 S 5/2013 Feliciano
- D730,493 S * 5/2015 Sehl D23/261
- D743,509 S * 11/2015 Traub D23/261
- D777,887 S * 1/2017 Johansen D23/261
- D779,045 S * 2/2017 Johansen D23/261
- D794,759 S * 8/2017 Karnegie D23/261
- D855,160 S * 7/2019 Najimi D23/261
- D886,247 S 6/2020 Nilsen
- 2016/0040410 A1 * 2/2016 Carpenter-Crawford
E03C 1/244
4/652

FOREIGN PATENT DOCUMENTS

- JP 2012207417 A * 10/2012
- JP 2014122543 A * 7/2014
- JP 2016223177 A * 12/2016

OTHER PUBLICATIONS

Lekeye Drain Hair Catcher; Amazon Earliest Review Date Jul. 23, 2019; Visited oNline Sep. 13, 2020; https://www.amazon.com/LEKEYE-Catcher-Strainer-Stainless-Protector/dp/B07TGJYNGZ/ref=cm_cr_ar_p_d_product_top?ie=UTF8 (Year: 2019).*
MFTEK Drain Hair Catcher; Amazon Date First Available May 6, 2020; https://www.amazon.com/MFTEK-Protector-Stainless-Strainer-Bathroom/dp/B08867BF19/ref=sr_1_1?crid=3H96OSWQDH0R8&dchild=1&keywords=mftek+drain+hair+catcher&qid=1600057357&s=home-garden&sprefix=MFTEK+Drain%2Cgarden%2C168&sr=1-1 (Year: 2020).*

* cited by examiner

Primary Examiner — Amy C Wierenga
(74) *Attorney, Agent, or Firm* — KA Filing LLC; Wayne Harper; Cynthia Flanigan

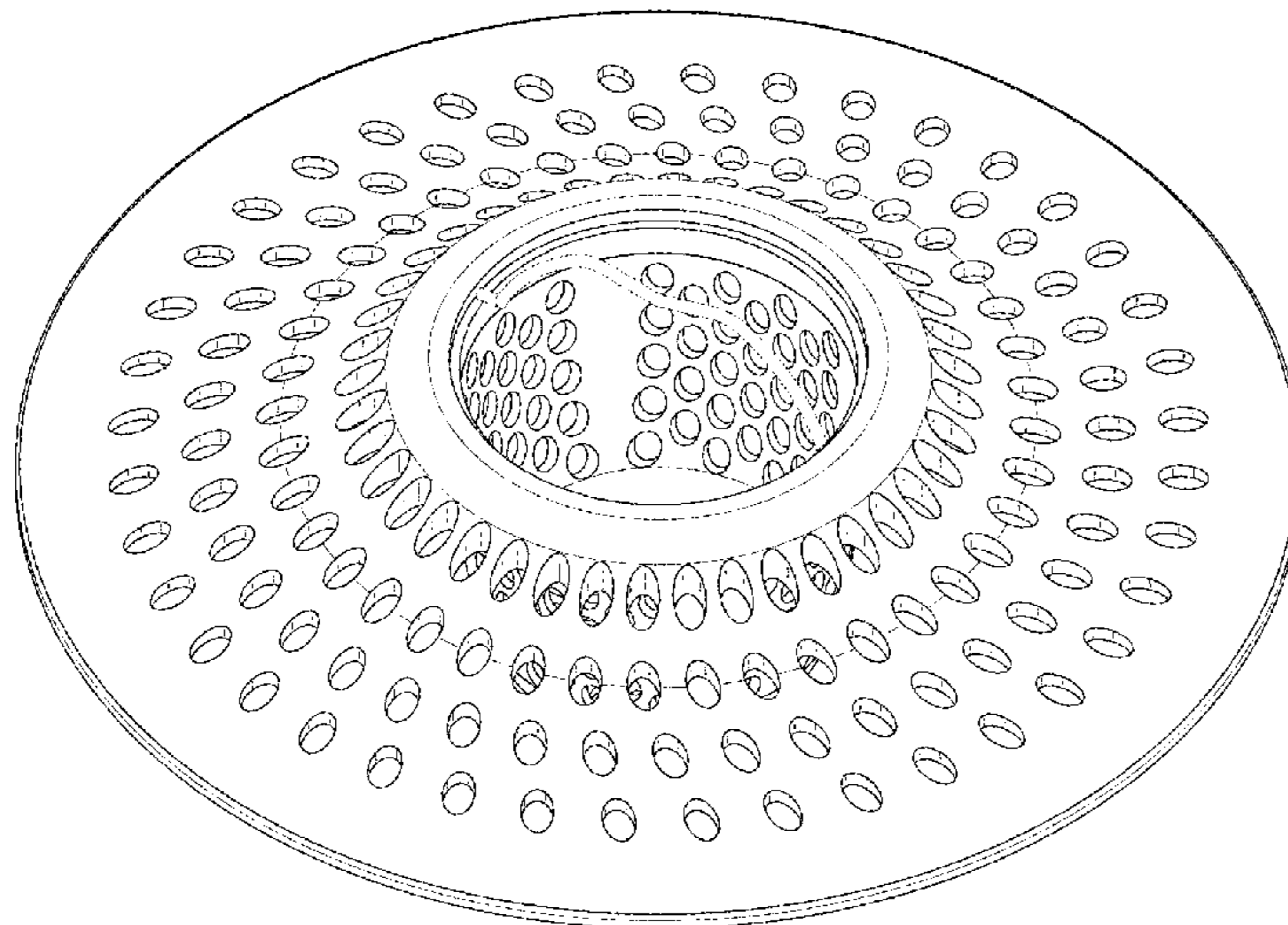
(57) **CLAIM**

I claim the ornamental design for a hair catcher, as shown and described.

DESCRIPTION

FIG. 1 is a Perspective view of a hair catcher showing my new design;
FIG. 2 is a Front view thereof;
FIG. 3 is a Back view thereof;
FIG. 4 is a Right-side view thereof;
FIG. 5 is a Left-side view thereof;
FIG. 6 is a Top view thereof;
FIG. 7 is a Bottom view thereof; and,
FIG. 8 is perspective view of a hair catcher showing in open position.
The broken lines are for the purpose of illustrating portions of the article that form no part of the claim.

1 Claim, 8 Drawing Sheets



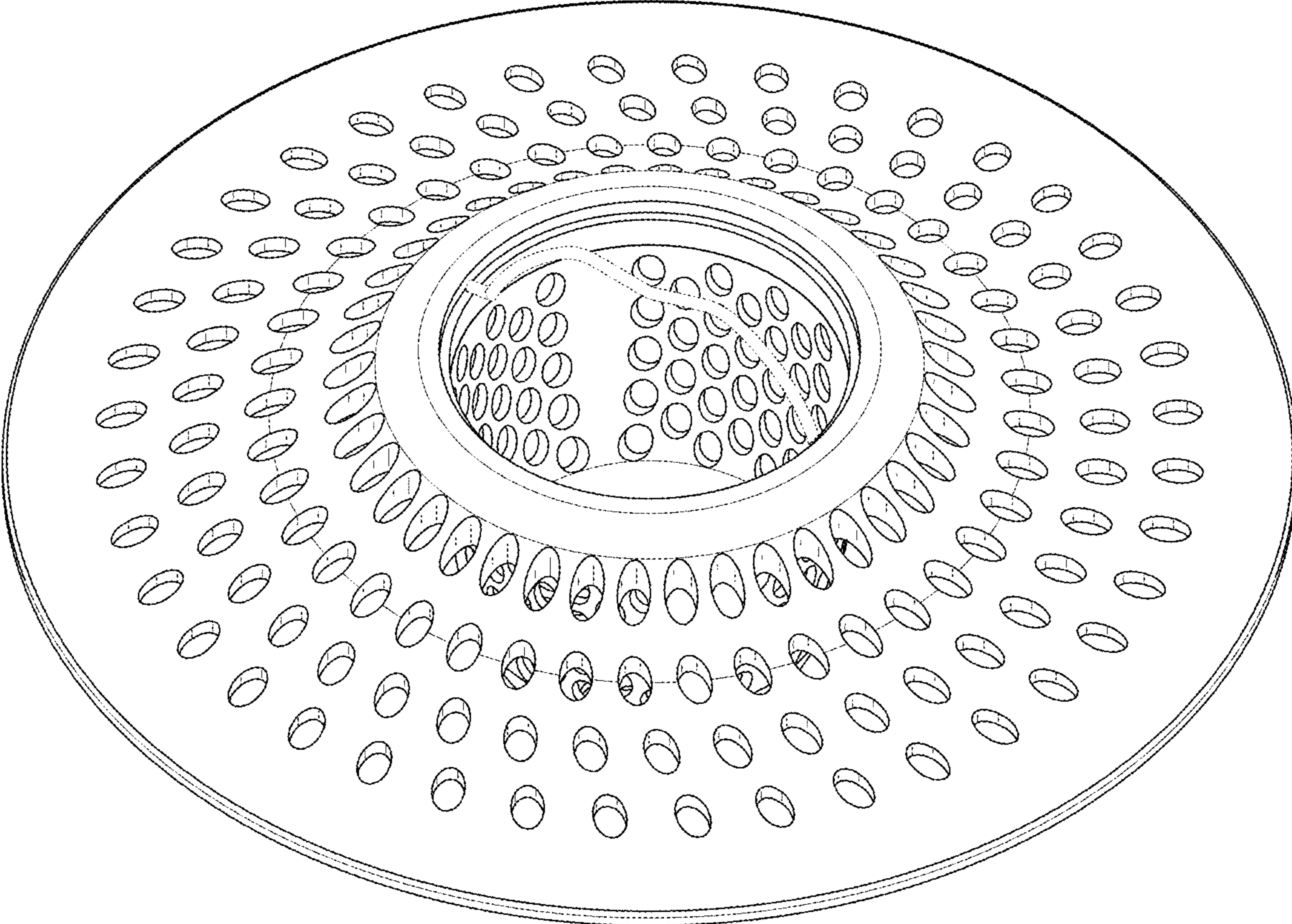


FIG. 1

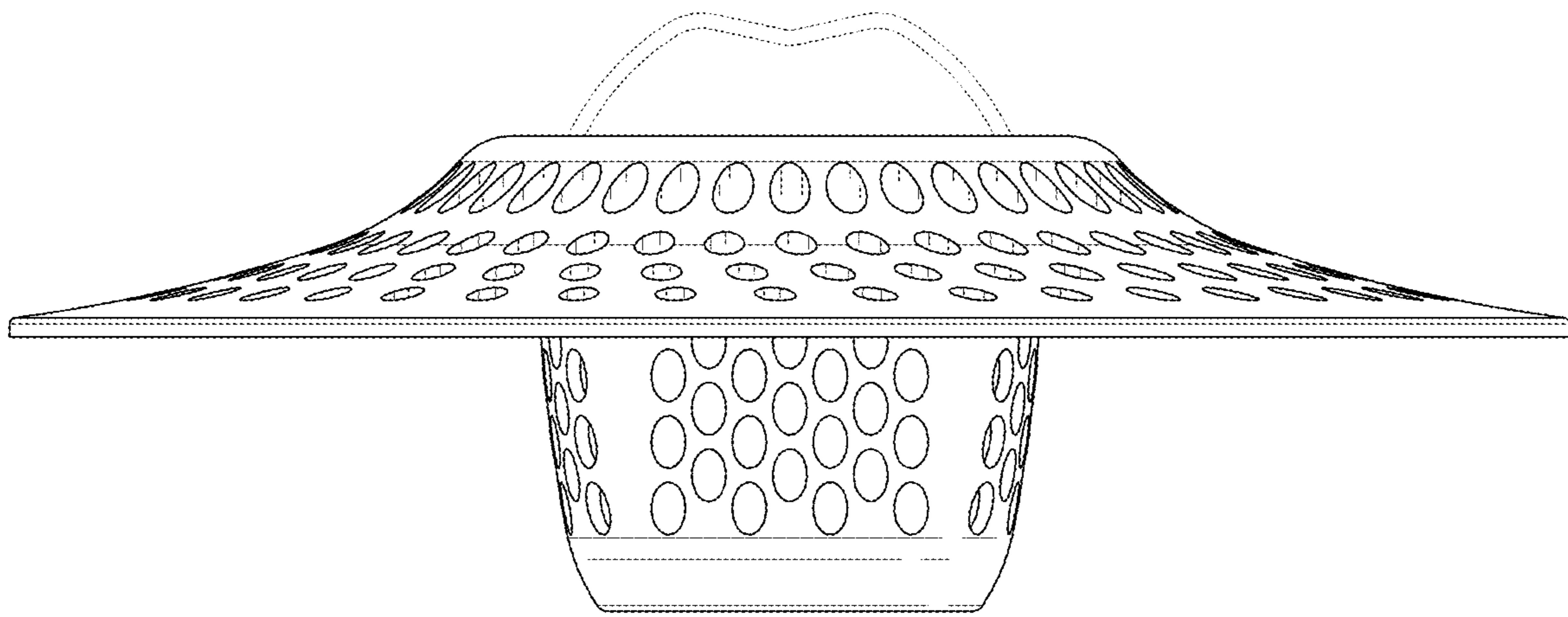


FIG. 2

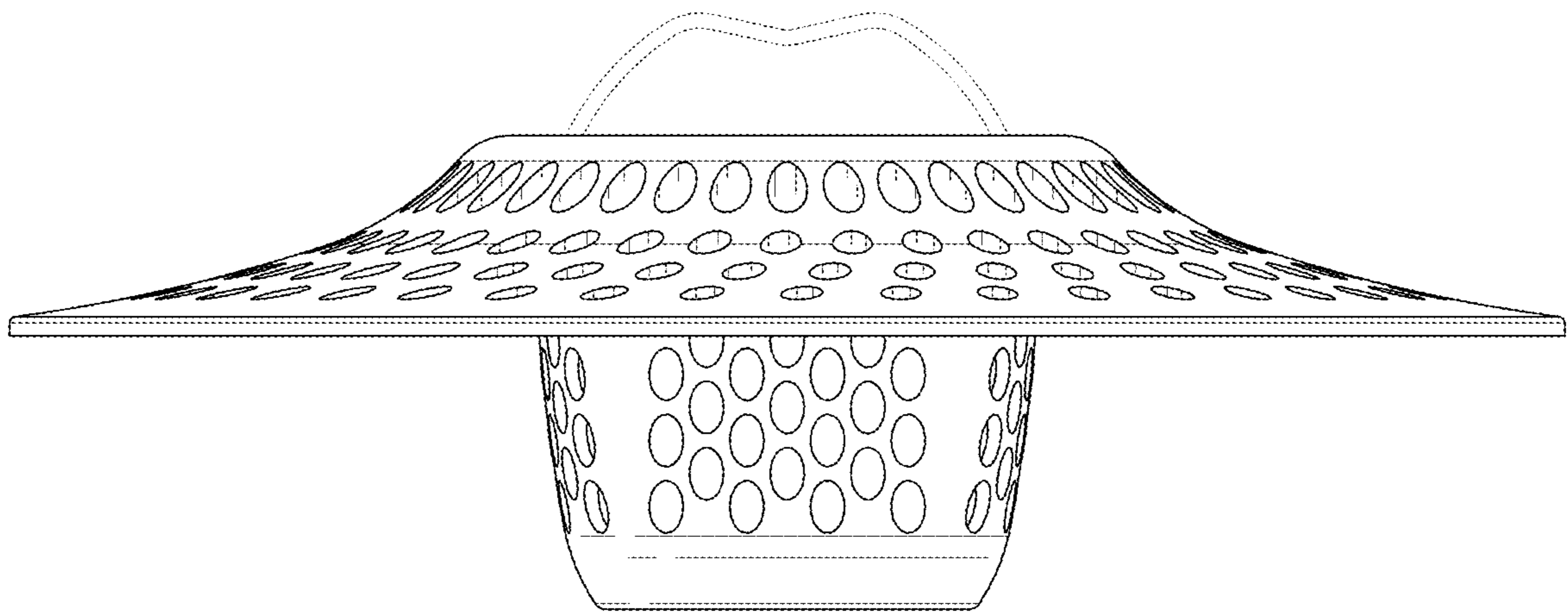


FIG. 3

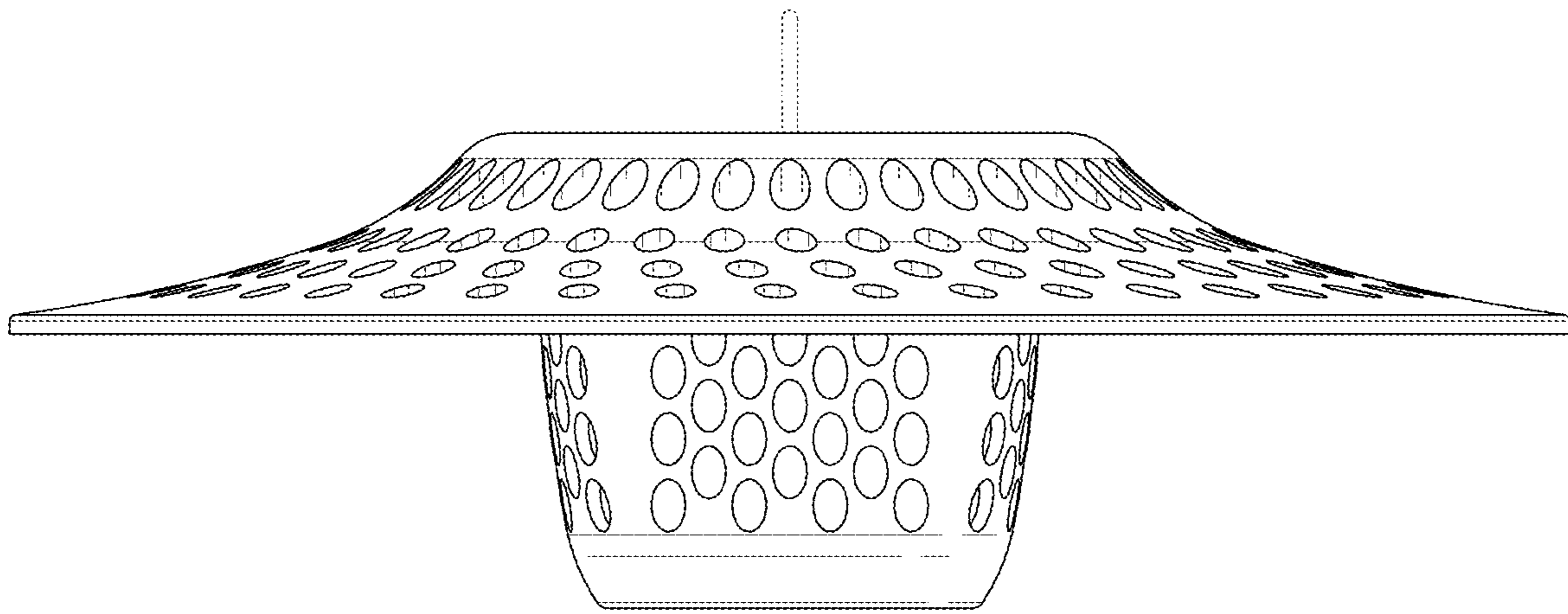


FIG. 4

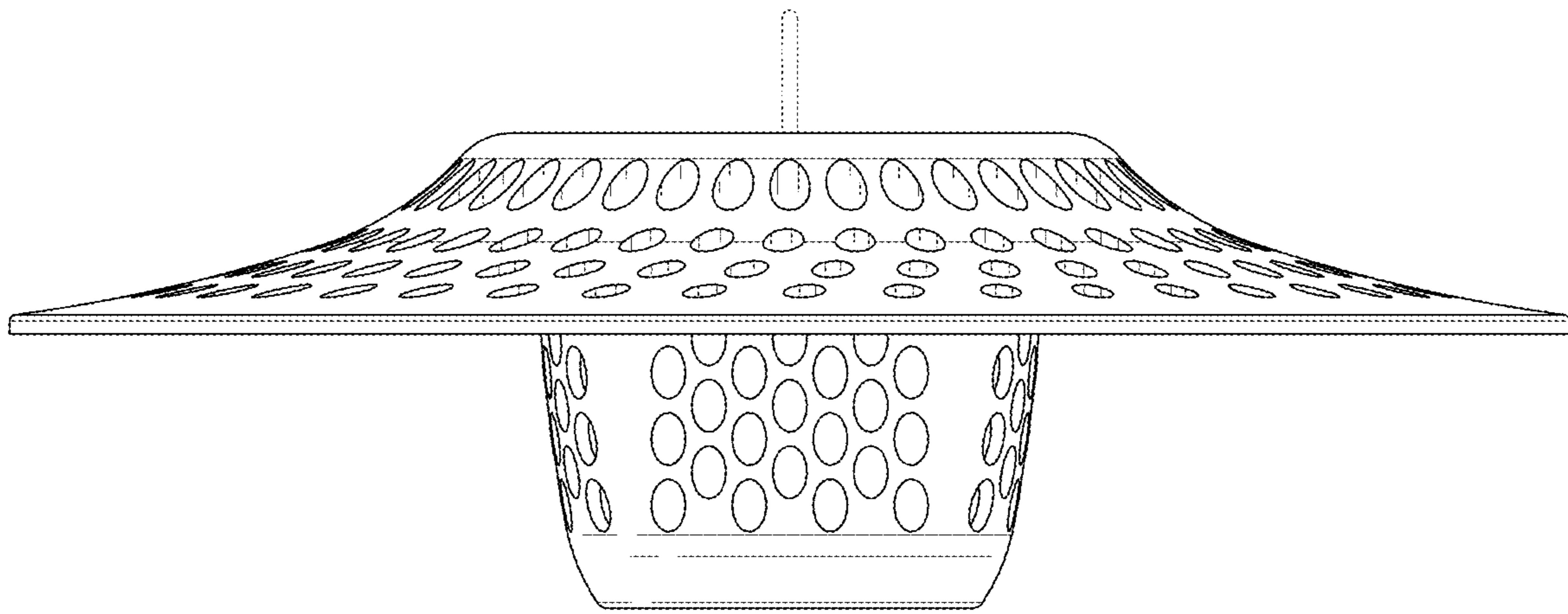


FIG. 5

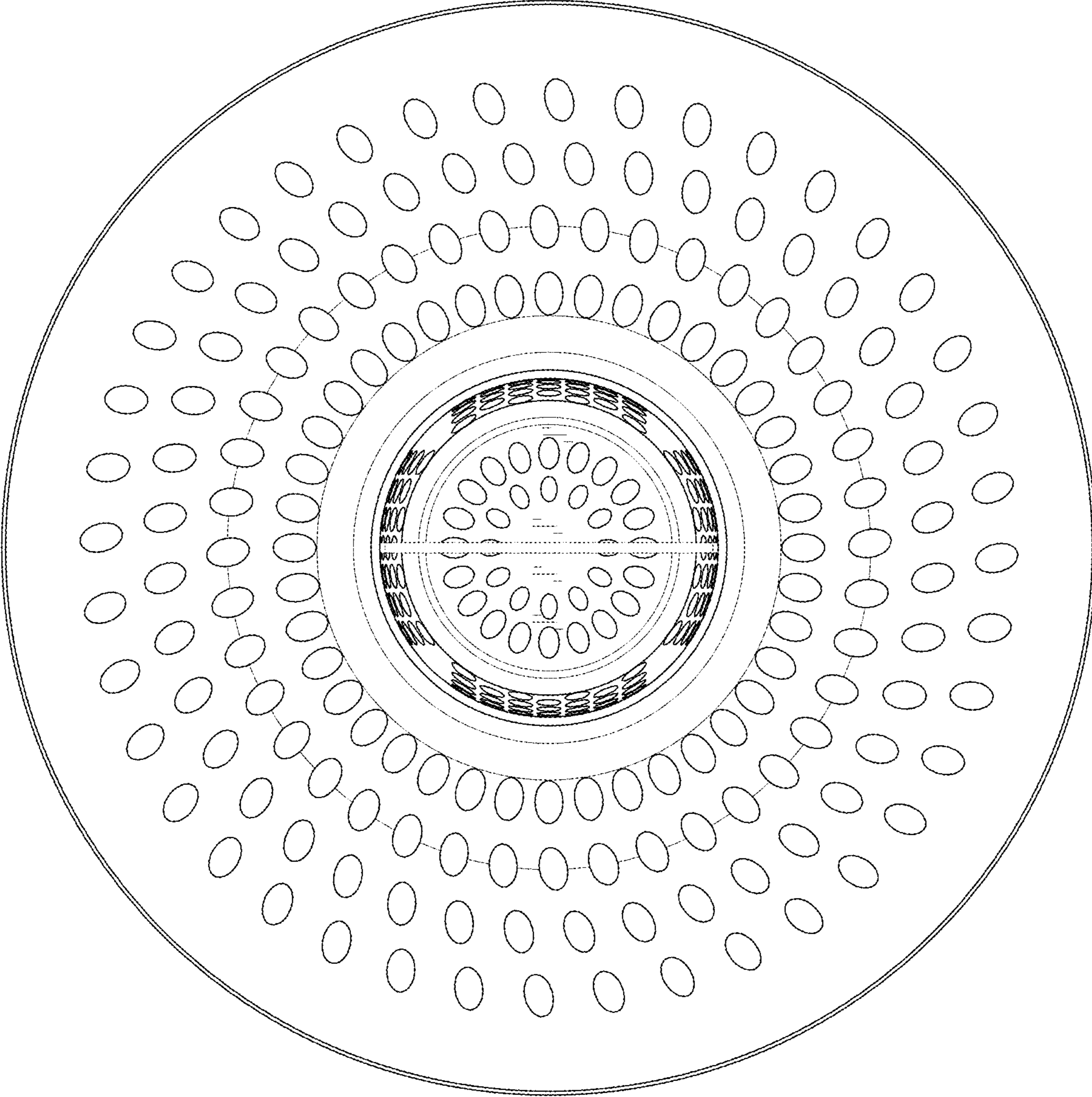


FIG. 6

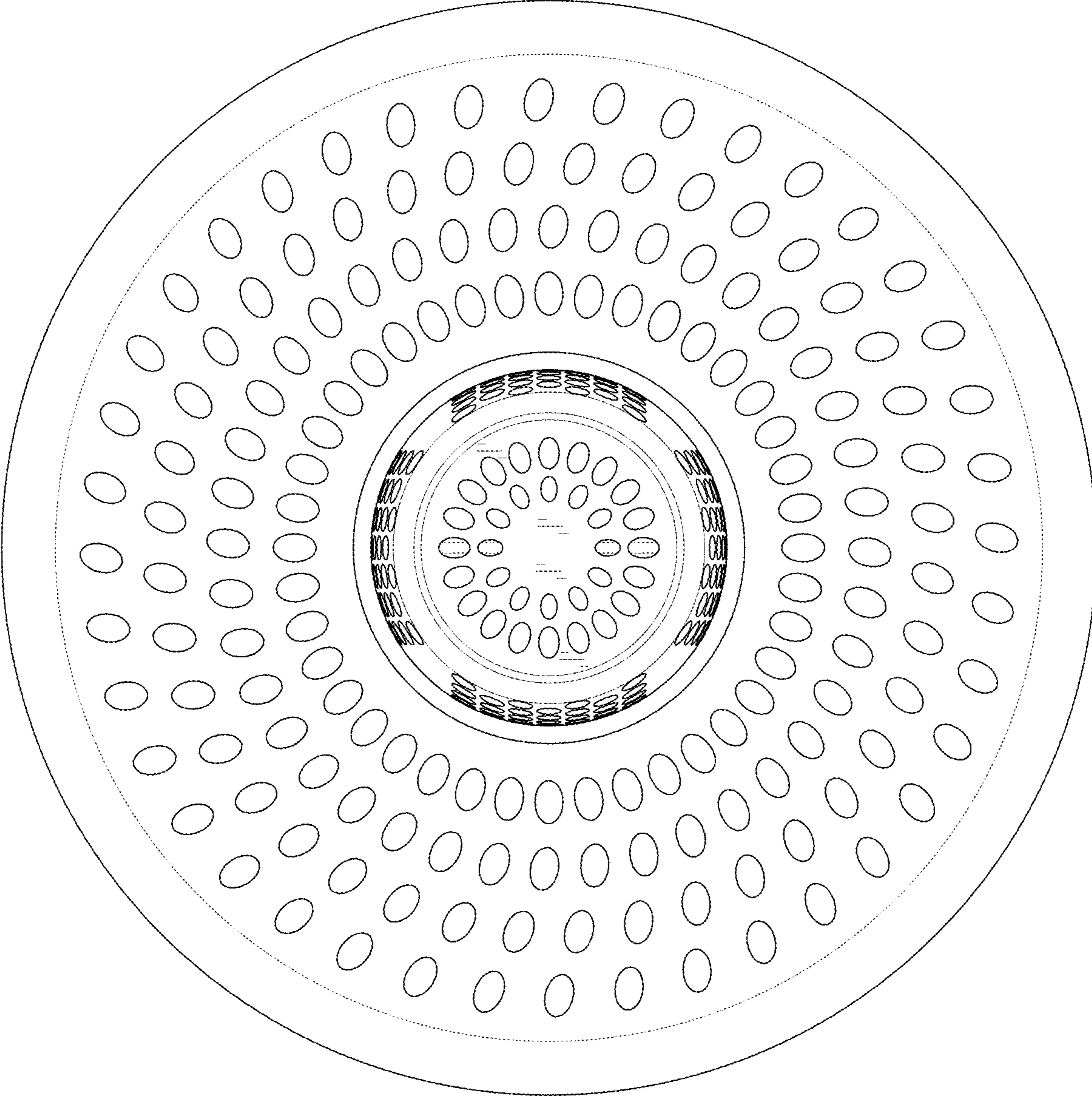


FIG. 7

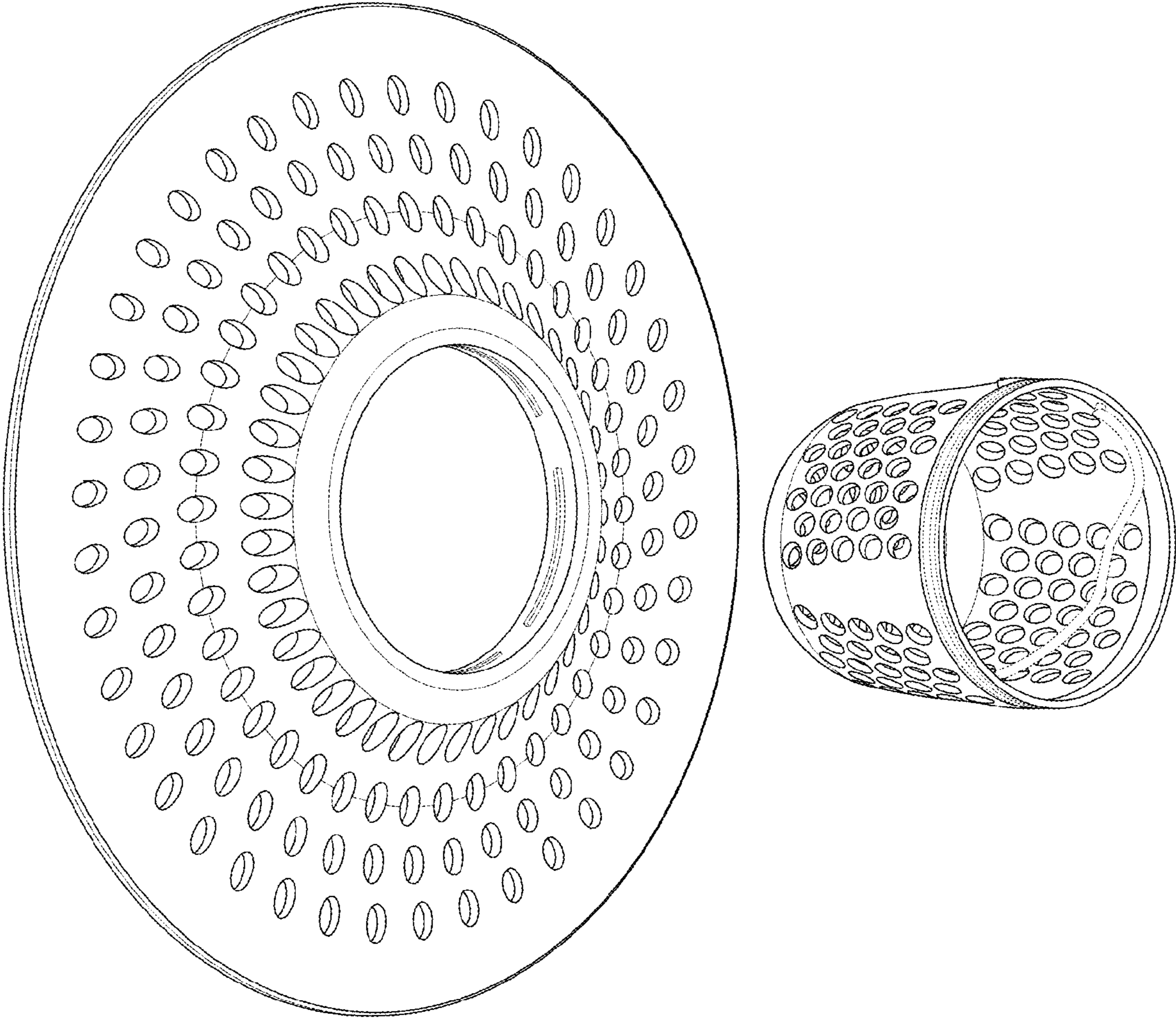


FIG. 8