



US00D900283S

(12) **United States Design Patent**
Deschamps

(10) **Patent No.:** **US D900,283 S**
(45) **Date of Patent:** **** Oct. 27, 2020**

- (54) **ADAPTER FOR A LIQUID SPRAY NOZZLE**
- (71) Applicant: **The Fountainhead Group, Inc.**, New York Mills, NY (US)
- (72) Inventor: **Justin Deschamps**, Boonville, NY (US)
- (73) Assignee: **The Fountainhead Group, Inc.**, Syracuse, NY (US)
- (**) Term: **15 Years**
- (21) Appl. No.: **29/682,477**
- (22) Filed: **Mar. 5, 2019**
- (51) **LOC (12) Cl.** **23-01**
- (52) **U.S. Cl.**
USPC **D23/249**
- (58) **Field of Classification Search**
USPC D23/209, 213, 223, 226, 249, 259, 260, D23/365
CPC .. B01D 35/143; B01D 27/103; B01D 35/306; B01D 35/1475; B01D 2201/304; B01D 27/10; B01D 27/106
See application file for complete search history.

D418,590	S	*	1/2000	Tracy	D23/213
D439,636	S	*	3/2001	Hamilton	D23/213
6,435,567	B2	*	8/2002	Kikumori	F16L 25/0036 285/319
D462,256	S	*	9/2002	Jaynes	D12/160
6,499,771	B1	*	12/2002	Snyder, Sr.	F16L 37/0915 285/319
D574,931	S	*	8/2008	Hughes	D23/262
D595,420	S	*	6/2009	Suzuki	D24/227
D595,421	S	*	6/2009	Suzuki	D24/227
D595,863	S	*	7/2009	Suzuki	D24/227
D627,432	S	*	11/2010	Escoto, Jr.	B05B 7/066 D23/213
D638,104	S	*	5/2011	Govoni	D23/262
D646,762	S	*	10/2011	Terry	D23/259
D670,786	S	*	11/2012	Mauchle	D23/213

(Continued)

OTHER PUBLICATIONS

<https://shop.midsouthag.com/collections/spray-tips-nozzles/products/teejet-25610-1-nyr-quick-teejet-cap-with-gasket-black> (Year: 2020).*

Primary Examiner — Manpreet S Matharu
Assistant Examiner — Keith J Wilson
(74) *Attorney, Agent, or Firm* — Bond Schoeneck & King, PLLC; George McGuire

(57) **CLAIM**

The ornamental design for an adapter for a liquid spray nozzle, as shown and described.

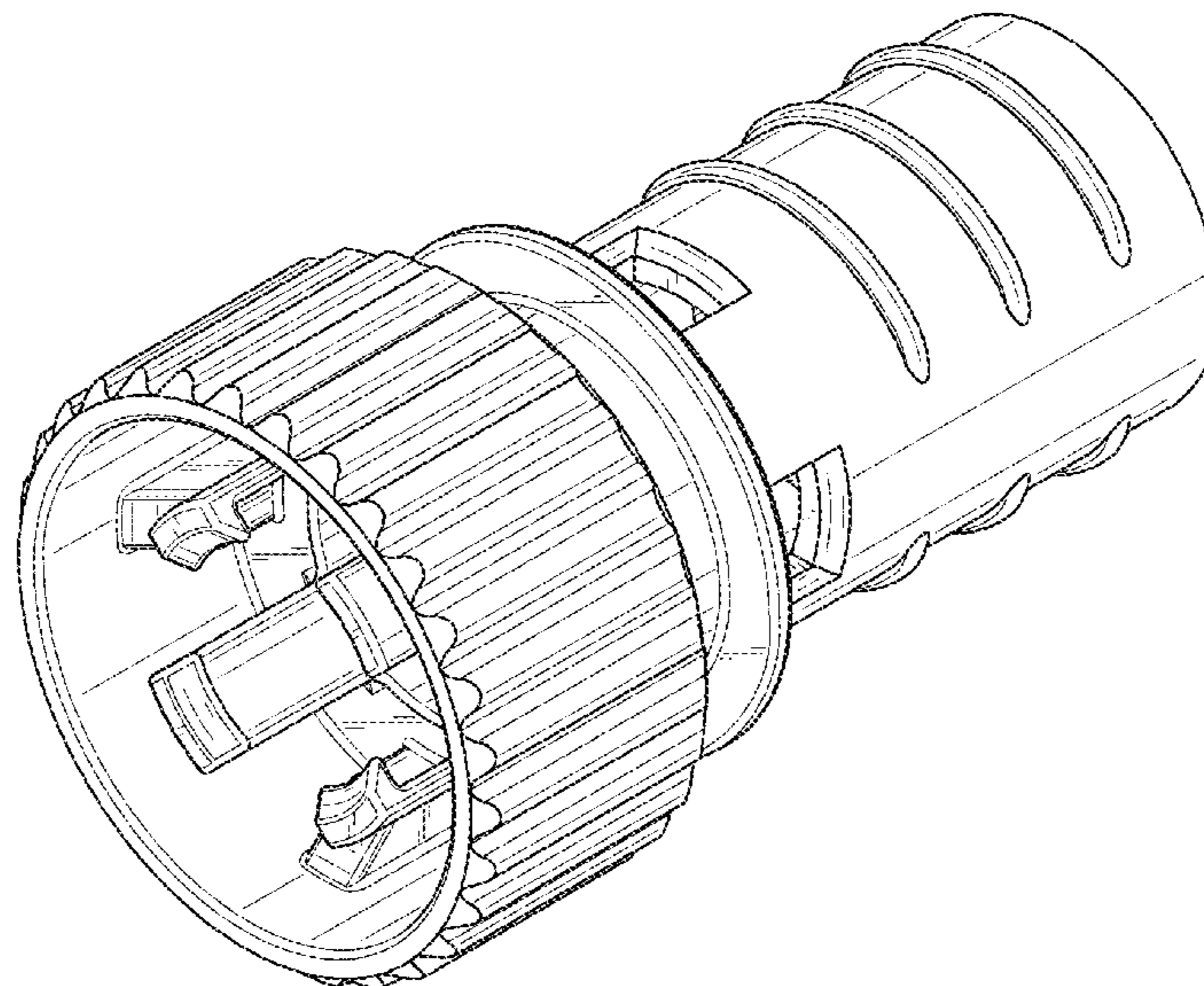
DESCRIPTION

FIG. 1 is a perspective view of a new and ornamental design for an adapter for a liquid spray nozzle;
FIG. 2 is a top plan view thereof;
FIG. 3 is a first side elevation view thereof;
FIG. 4 is a second side elevation view thereof;
FIG. 5 is a front elevation view thereof;
FIG. 6 is an inverted front elevation view thereof; and,
FIG. 7 is a bottom plan view thereof.

1 Claim, 7 Drawing Sheets

(56) **References Cited**
U.S. PATENT DOCUMENTS

D221,651	S	*	8/1971	Napper	D23/259
D229,496	S	*	12/1973	Hand	D23/262
4,827,539	A	*	5/1989	Kiziah	E03D 11/16 285/303
4,899,938	A	*	2/1990	Havrilla, Jr.	B05B 7/0815 239/294
D319,291	S	*	8/1991	Hanzel	D23/212
D349,758	S	*	8/1994	Hallbach	D23/259
D364,916	S	*	12/1995	Hallbach	D23/259
5,799,364	A	*	9/1998	Foisy	A47L 5/24 15/338
D402,354	S	*	12/1998	Strong	D23/259
5,996,134	A	*	12/1999	Senninger	E03D 11/16 138/96 R



(56)

References Cited

U.S. PATENT DOCUMENTS

8,474,878 B2 *	7/2013	Richter	F16B 2/246					
				285/319					
D689,590 S *	9/2013	Brose	D23/213					
D704,312 S *	5/2014	Kuo	D23/259					
D717,405 S *	11/2014	Coronado	D23/259					
D717,406 S *	11/2014	Stanley	D23/259					
8,910,677 B1 *	12/2014	Carpenter	B60K 15/04					
				141/312					
D737,410 S *	8/2015	Wyne	D23/259					
D738,470 S *	9/2015	Eaton	F16L 21/08					
				D23/259					
D782,621 S *	3/2017	Smith	D23/259					
D784,495 S *	4/2017	Pearson	D23/249					
9,623,594 B2 *	4/2017	French	F16L 21/03					
D806,833 S *	1/2018	Pearson	D23/249					
D813,355 S *	3/2018	Weatherby	D23/259					
D815,516 S *	4/2018	Karmarkar	D8/382					
D816,811 S *	5/2018	Dagdelen	D23/259					
D823,443 S *	7/2018	Bancroft	D23/262					
D830,522 S *	10/2018	Di Liberto	D23/259					
D833,581 S *	11/2018	Atwell	D23/259					
D835,756 S *	12/2018	Auxter	D23/249					
D836,755 S *	12/2018	Dale	D23/259					
D844,113 S *	3/2019	Auxter	D23/249					
D847,309 S *	4/2019	Sugatani	D23/259					
D849,890 S *	5/2019	Tempel	D23/233					
D851,220 S *	6/2019	Thompson	D23/259					
D851,738 S *	6/2019	Ghorbani	D23/259					
D852,934 S *	7/2019	Habres	D23/259					
D855,781 S *	8/2019	Delancey	D23/259					
D857,179 S *	8/2019	Thompson	D23/259					
					D859,604 S *	9/2019	Dagdelen	D23/259
					D861,054 S *	9/2019	Avila	D15/199
					D865,919 S *	11/2019	Lippka	D23/262
					D868,112 S *	11/2019	Tsuji	D15/5
					2003/0062428 A1 *	4/2003	Baasch	F02M 25/00
									239/407
					2004/0080160 A1 *	4/2004	Rief	E04H 4/1654
									285/276
					2006/0006651 A1 *	1/2006	Watanabe	F16L 25/0036
									285/247
					2007/0228727 A1 *	10/2007	Matsuno	F16L 37/0985
									285/305
					2012/0325335 A1 *	12/2012	Schalkx	F16L 37/2445
									137/315.01
					2014/0327238 A1 *	11/2014	Bowman	F16L 21/08
									285/112
					2014/0338773 A1 *	11/2014	French	F16L 37/1225
									138/109
					2015/0060577 A1 *	3/2015	Kosovich	B05B 13/0627
									239/587.1
					2015/0176728 A1 *	6/2015	Bowman	F16L 21/065
									285/309
					2015/0353340 A1 *	12/2015	Gammon	B64D 37/00
									141/1
					2017/0328500 A1 *	11/2017	Bowman	F16L 17/04
					2017/0328505 A1 *	11/2017	Sith	F16L 37/0915
					2017/0334705 A1 *	11/2017	Murugo Perez	B67D 7/06
					2018/0156362 A1 *	6/2018	Takeda	B25B 27/10
					2018/0163905 A1 *	6/2018	Ohnemus	F16L 21/005
					2018/0209567 A1 *	7/2018	Brandt	F16L 17/04
					2018/0304179 A1 *	10/2018	Auxter	B01D 27/06
					2018/0326449 A1 *	11/2018	Dale	B05C 17/00513

* cited by examiner

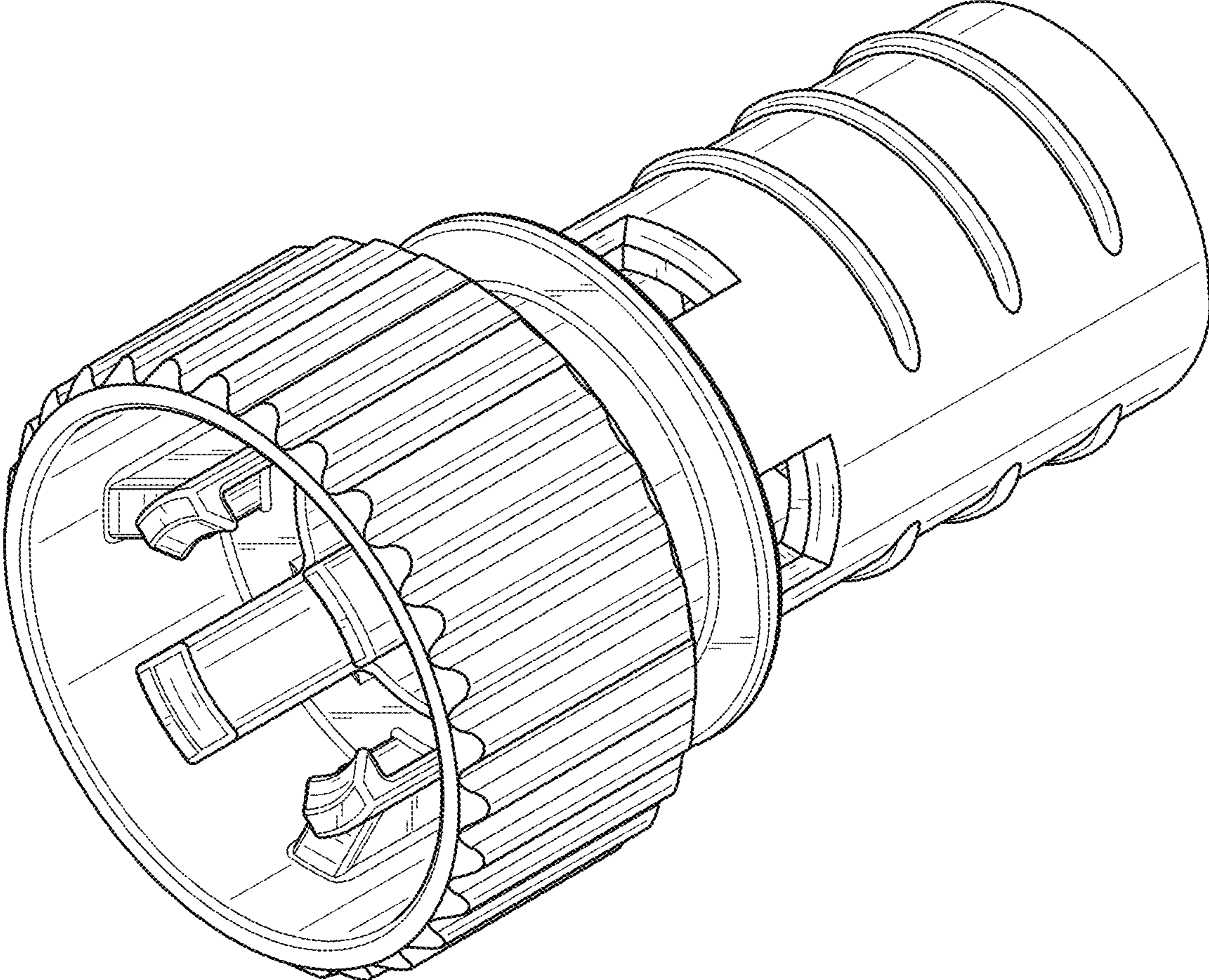


FIG. 1

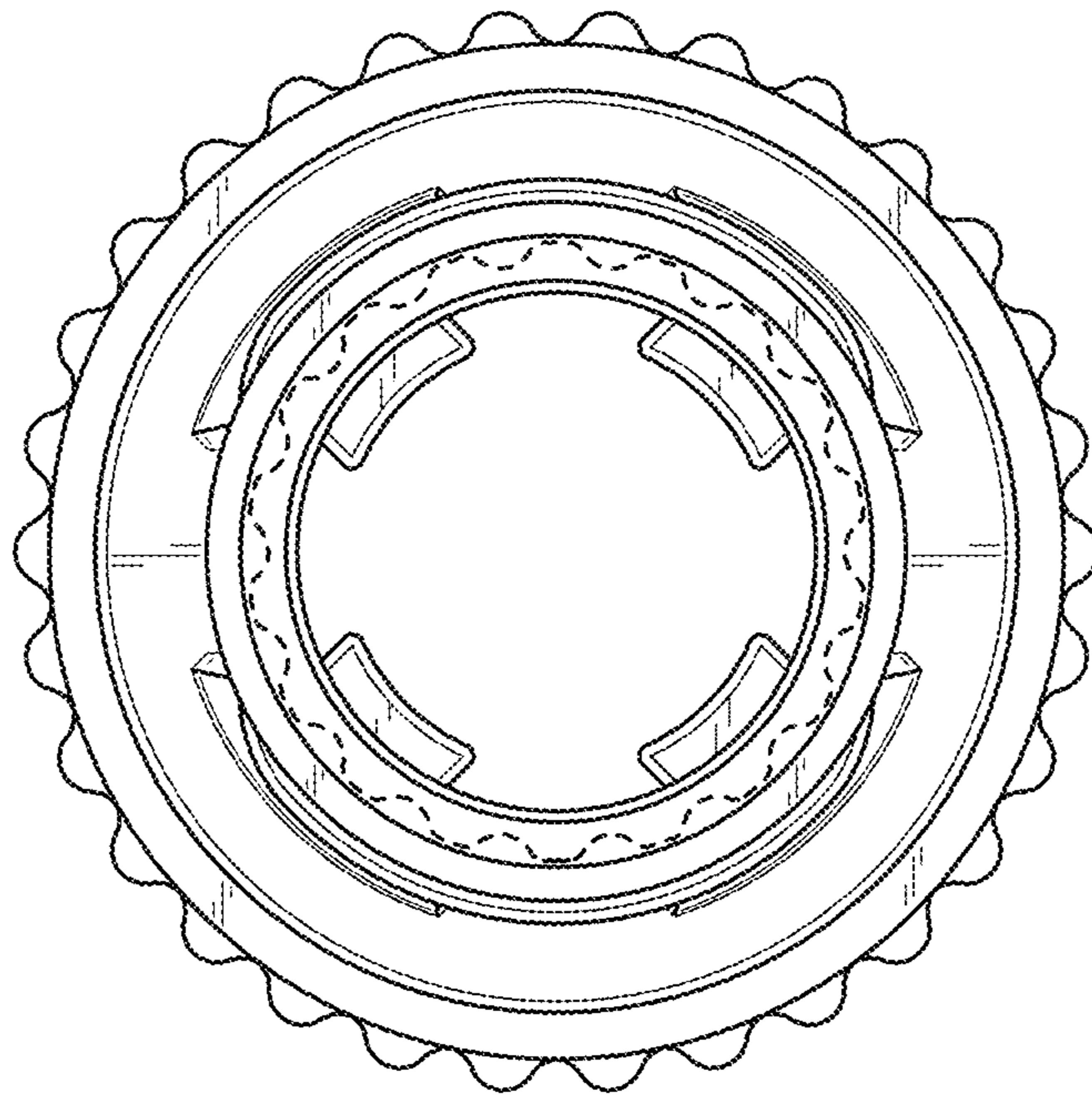


FIG. 2

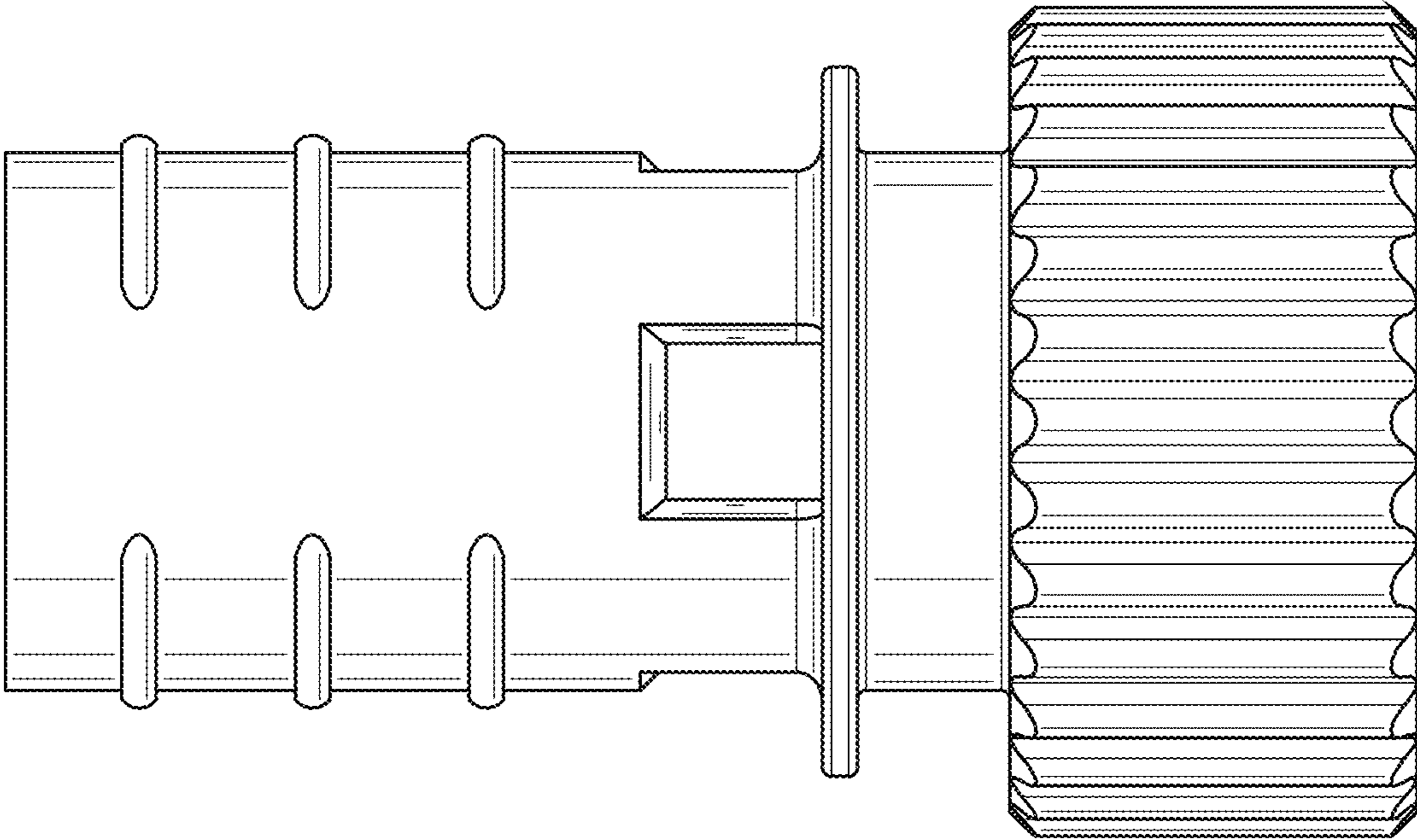


FIG. 3

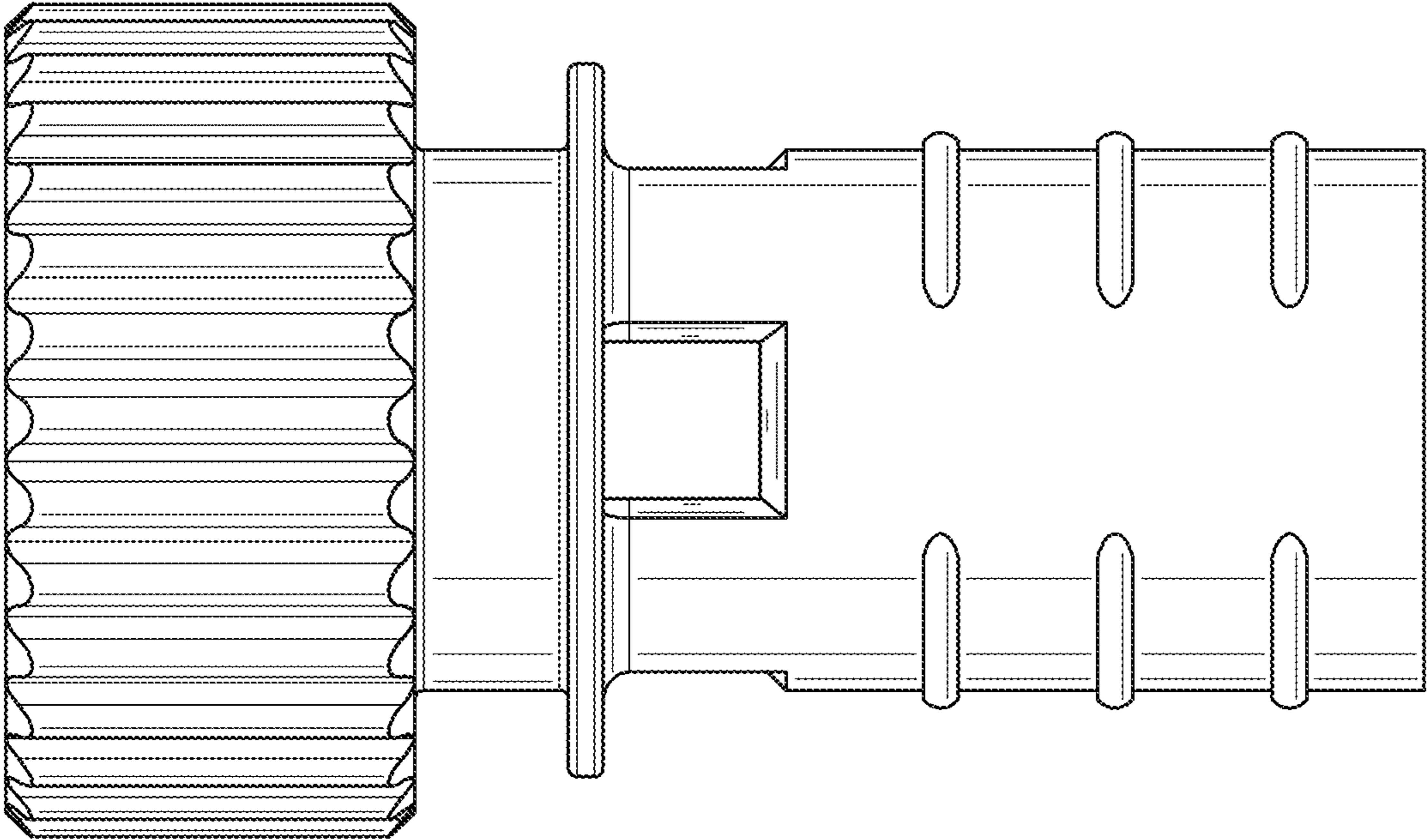


FIG. 4

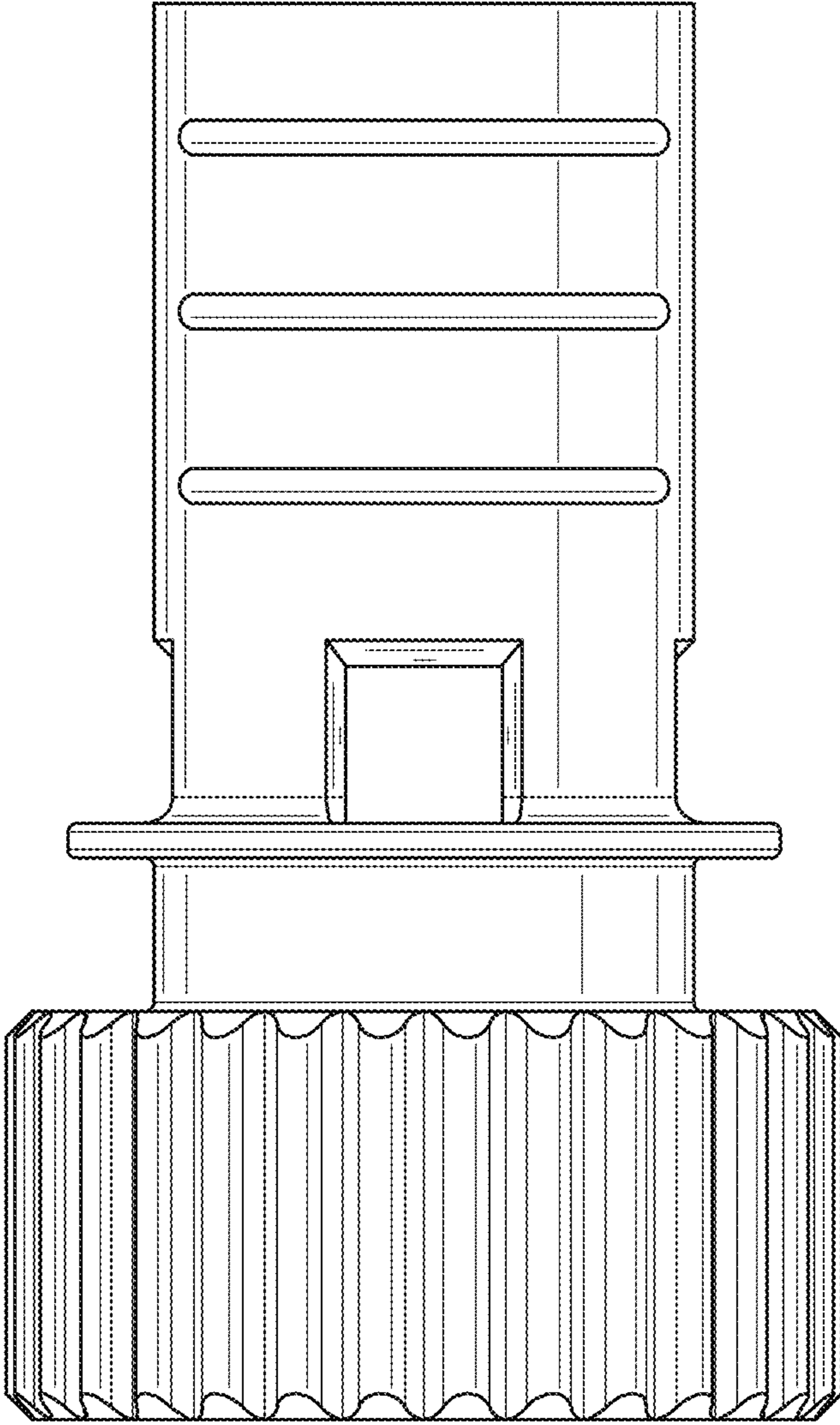


FIG. 5

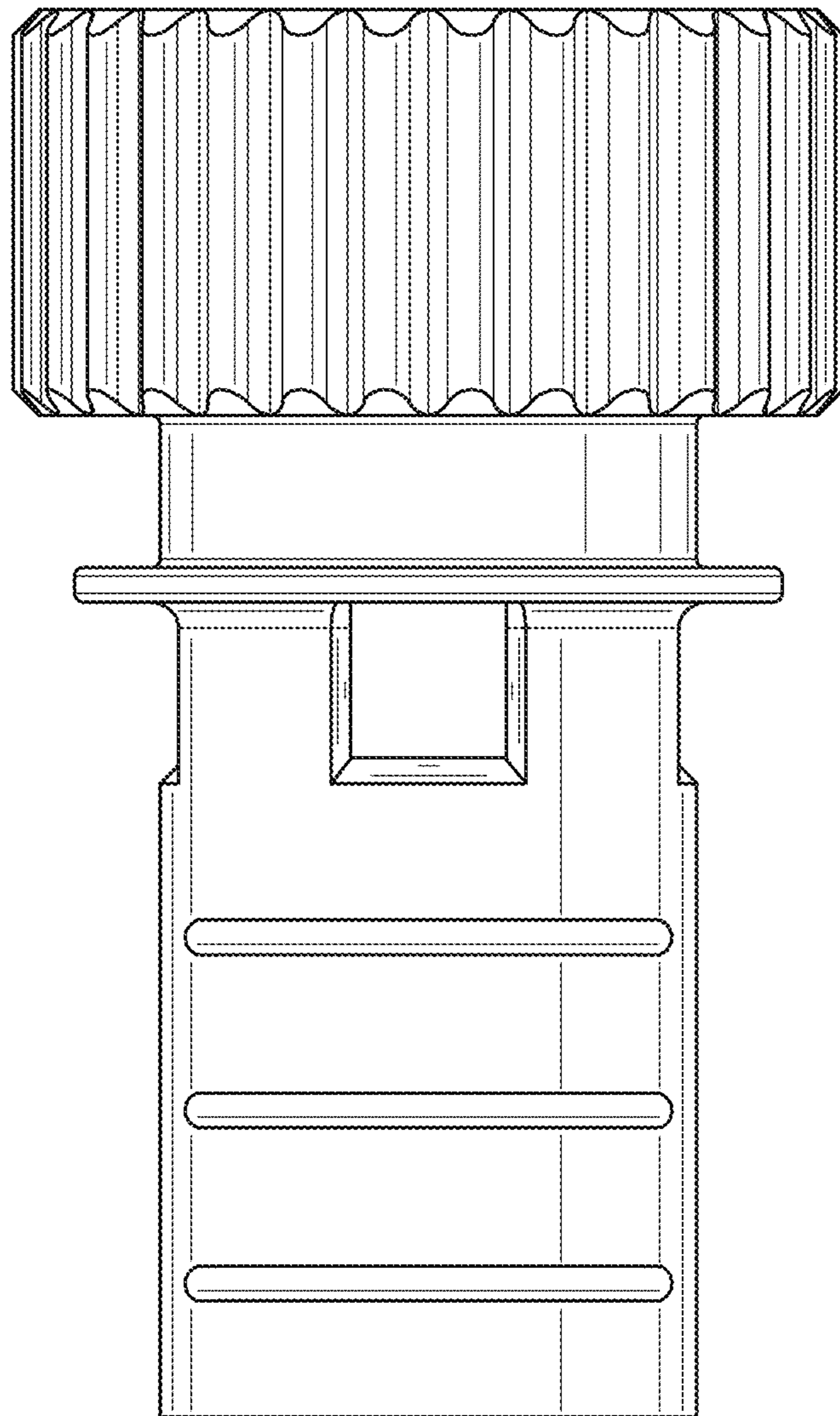


FIG. 6

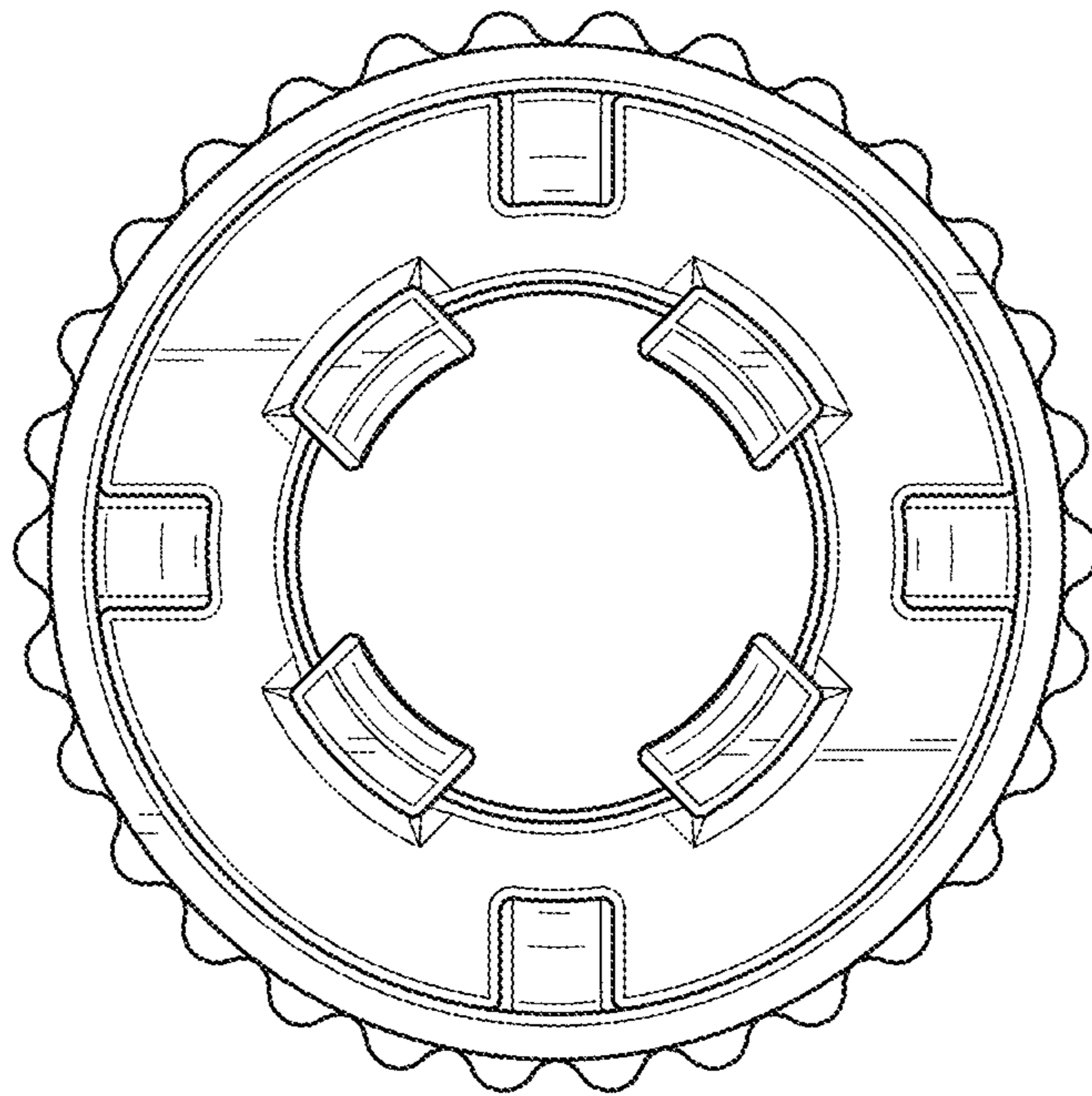


FIG. 7