



US00D900281S

(12) **United States Design Patent** (10) **Patent No.:** **US D900,281 S**
Liu (45) **Date of Patent:** **** Oct. 27, 2020**

- (54) **WALL MIXER**
- (71) Applicant: **Phoenix Industries Pty Ltd,**
Bayswater, Victoria (AU)
- (72) Inventor: **Ban Hsi Liu,** Bayswater (AU)
- (73) Assignee: **Phoenix Industries Pty Ltd,** Bayswater
(AU)
- (**) Term: **15 Years**
- (21) Appl. No.: **29/678,504**
- (22) Filed: **Jan. 29, 2019**

- D617,425 S 6/2010 Lammel
- D618,765 S 6/2010 Wang
- D635,221 S 3/2011 Rubin
- D636,065 S 4/2011 Schoenherr
- D641,072 S 7/2011 Flowers
- (Continued)

FOREIGN PATENT DOCUMENTS

- AU 308198 7/2006
- AU 308199 7/2006
- (Continued)

OTHER PUBLICATIONS

Sink Wall Faucet, Announced Nov. 6, 2018[online], [site visited Jun. 30, 2020]. Available from internet, URL:<<https://www.amazon.com/ZUKKI-Copper-Single-Handle-Bathroom-2314-07A/dp/B07K71TVN4>> (Year: 2018).*

(Continued)

- (30) **Foreign Application Priority Data**
- Jul. 30, 2018 (AU) 201814525
- (51) **LOC (12) Cl.** **23-01**
- (52) **U.S. Cl.**
- USPC **D23/238**
- (58) **Field of Classification Search**
- USPC D23/238-242, 254, 255
- See application file for complete search history.

Primary Examiner — Barbara Fox
Assistant Examiner — Jamaal Rasheed
 (74) *Attorney, Agent, or Firm* — Womble Bond Dickinson
 (US) LLP

(56) **References Cited**
U.S. PATENT DOCUMENTS

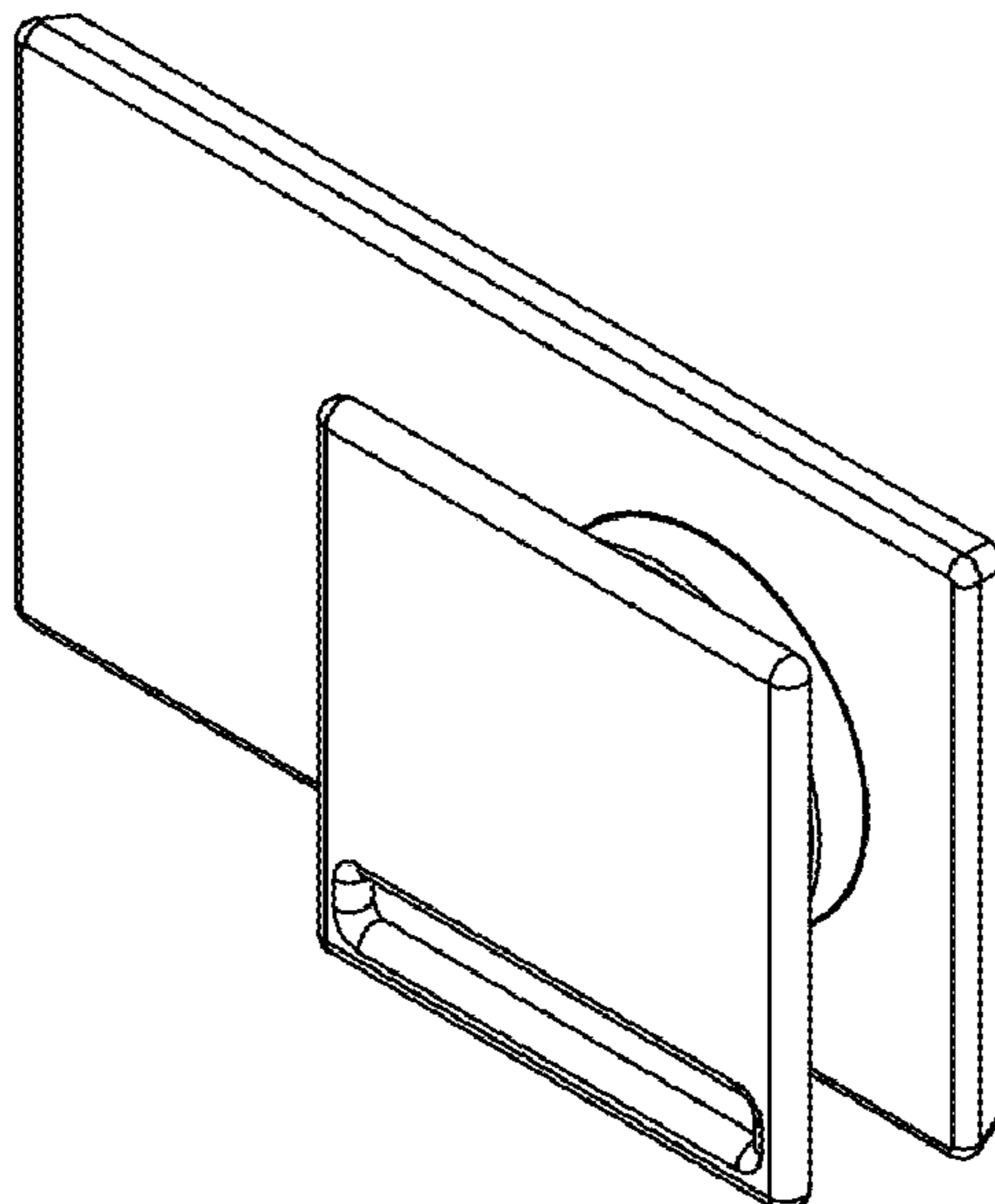
- D441,851 S 5/2001 Starck
- D466,979 S 12/2002 Shulz
- D481,445 S 10/2003 Haug
- D492,011 S 6/2004 Blattner
- D525,342 S 7/2006 Starck
- D527,807 S 9/2006 Haug
- D532,866 S 11/2006 Kirar
- D533,924 S 12/2006 Kirar
- D548,308 S 8/2007 Hoernig
- D575,848 S 8/2008 Kirar
- D577,418 S 9/2008 Lammel
- D580,525 S 11/2008 Citterio
- D582,009 S 12/2008 Citterio
- D601,229 S 9/2009 Schoenherr et al.

(57) **CLAIM**
 The ornamental design for a wall mixer, as shown and described.

DESCRIPTION

FIG. 1 is a perspective view of a wall mixer according to my new design;
 FIG. 2 is a top view thereof;
 FIG. 3 is a bottom view thereof;
 FIG. 4 is a front view thereof;
 FIG. 5 is a left side view thereof; and,
 FIG. 6 is a right side view thereof.

1 Claim, 2 Drawing Sheets



(56)

References Cited

U.S. PATENT DOCUMENTS

D647,176 S 10/2011 Liao
 D647,179 S 10/2011 Flowers
 D647,601 S 10/2011 Liao
 D659,167 S 5/2012 Cocks
 D665,479 S 8/2012 Cocks
 D685,878 S 7/2013 Fritz
 D697,588 S 1/2014 Schoenherr
 D704,304 S * 5/2014 Schoenherr D23/238
 D708,714 S 7/2014 Georgeson
 D713,941 S 9/2014 Hundley
 D737,936 S 9/2015 Pony
 D739,501 S 9/2015 Flowers
 D740,395 S 10/2015 Flowers
 D757,223 S 5/2016 Schoenherr
 D757,225 S 5/2016 Schoenherr
 D757,903 S 5/2016 Schoenherr
 D767,733 S 9/2016 Hong
 D782,013 S 3/2017 Eads
 D787,020 S 5/2017 Ziemann
 D791,919 S 7/2017 Schoenherr
 D799,641 S 10/2017 Sieger
 D799,642 S 10/2017 Sieger
 D800,274 S 10/2017 Andrew
 D802,101 S 11/2017 Kirar
 D810,238 S 2/2018 Schoenherr
 D810,244 S 2/2018 Schoenherr et al.
 D810,890 S 2/2018 Takayama
 D811,528 S * 2/2018 Schoenherr D23/238
 D811,531 S 2/2018 Schoenherr
 D813,986 S 3/2018 Schoenherr
 D813,988 S 3/2018 Schoenherr
 D822,798 S 7/2018 Sieger
 D828,511 S 9/2018 Liu et al.
 D828,512 S 9/2018 Liu et al.
 D828,515 S 9/2018 Seum
 D828,516 S 9/2018 Liu et al.
 D828,909 S 9/2018 Liu et al.
 D831,164 S 10/2018 Garuti
 D834,683 S 11/2018 Schoenherr
 D837,941 S 1/2019 L'Henaff
 D839,997 S 2/2019 Cummings
 D846,077 S 4/2019 Liu
 D846,079 S 4/2019 Garland
 D846,699 S 4/2019 L'Henaff
 D846,701 S 4/2019 Liu
 D846,702 S 4/2019 Liu
 D855,762 S 8/2019 Stuart
 D855,769 S 8/2019 Eads
 D856,490 S 8/2019 Seum
 D859,588 S 9/2019 Meyers

D859,593 S 9/2019 Pan
 D859,602 S 9/2019 Bahler
 D860,397 S 9/2019 Diefenbach
 D860,406 S 9/2019 Vish
 D865,132 S * 10/2019 Hoogendoorn D23/254
 D865,133 S 10/2019 Hoogendoorn et al.
 D866,715 S * 11/2019 Hoogendoorn D23/238
 2016/0265201 A1 9/2016 Hoogendoorn et al.

FOREIGN PATENT DOCUMENTS

AU	308201	7/2006
AU	308202	7/2006
AU	314560	6/2007
AU	314563	6/2007
AU	321286	10/2008
AU	328364	11/2009
AU	328365	11/2009
AU	334096	12/2010
AU	336356	5/2011
AU	336357	5/2011
AU	337781	7/2011
AU	337782	7/2011
AU	344493	9/2012
AU	344494	9/2012
AU	350490	8/2013
AU	355991	6/2014
AU	355992	6/2014
AU	355993	6/2014
AU	355994	6/2014
AU	357542	9/2014
AU	357840	9/2014
AU	357842	9/2014
AU	357843	9/2014

OTHER PUBLICATIONS

Shower/wall mixer, announced Date unavailable[online], [site visited Jun. 30, 2020]. Available from internet, URL:<<https://www.phoenixtapware.com.au/products/zimi-shower-wall-mixer-base-only-6312>> (Year: 2020).*

TOI Basin Mixer, Phoenix Tapware, Showers & Accessories, <http://www.phoenixtapware.com.au/products/toi-basin-mixer>, known at least as early as Oct. 25, 2016, 3 pgs.

TOI Wall Basin/Bath Mixer Set, <http://www.phoenixtapware.com.au/toi-wall-basin-mixer-set180mm>, known at least as early as Oct. 25, 2016, 3 pgs.

TOI Sink Mixer Squareline, Phoenix Tapware, Showers & Accessories, <http://www.phoenixtapware.com.au/toi-sink-mixer-180mm-squareline>, known at least as early as Oct. 25, 2016, 3 pgs.

* cited by examiner

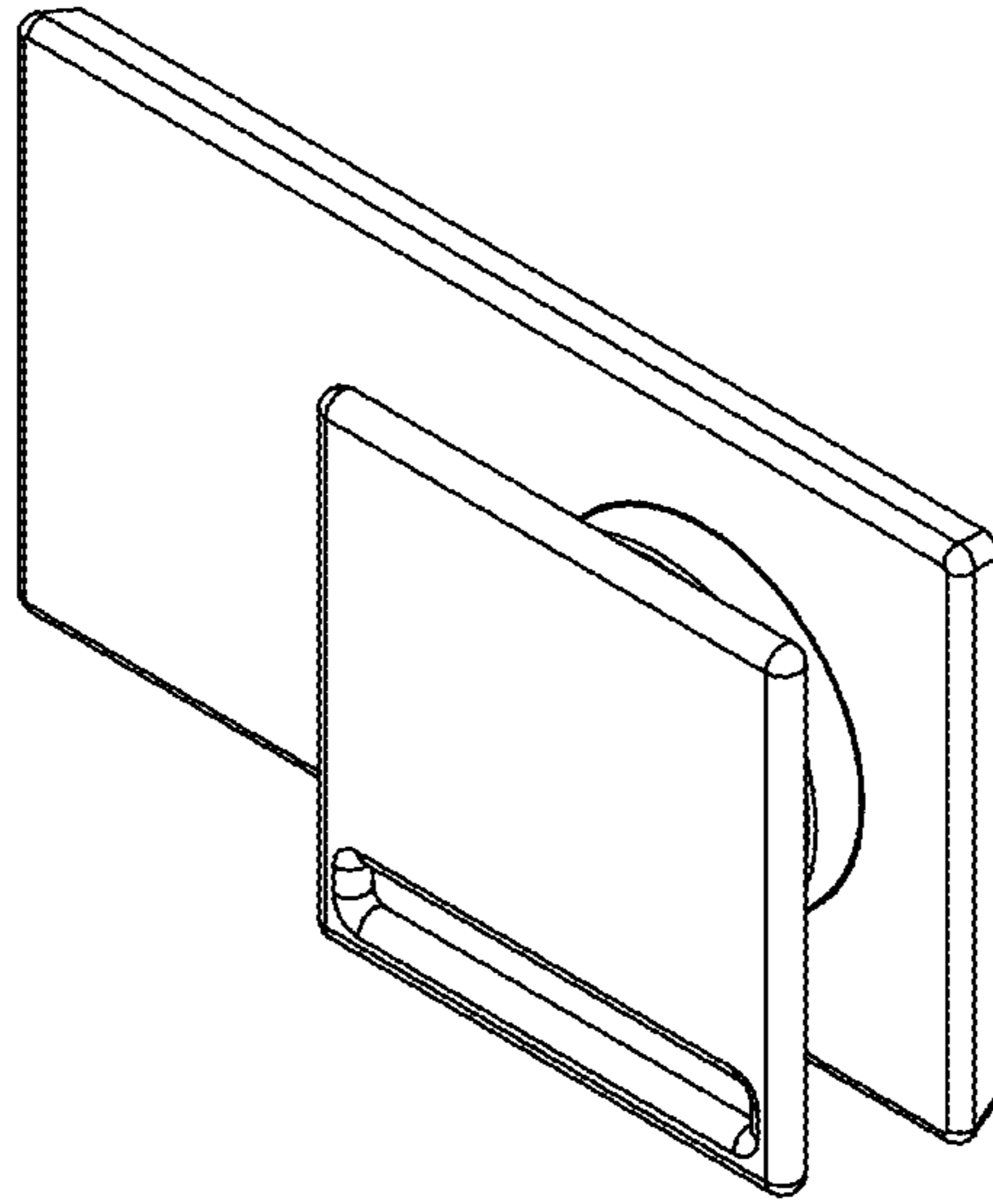


FIG. 1

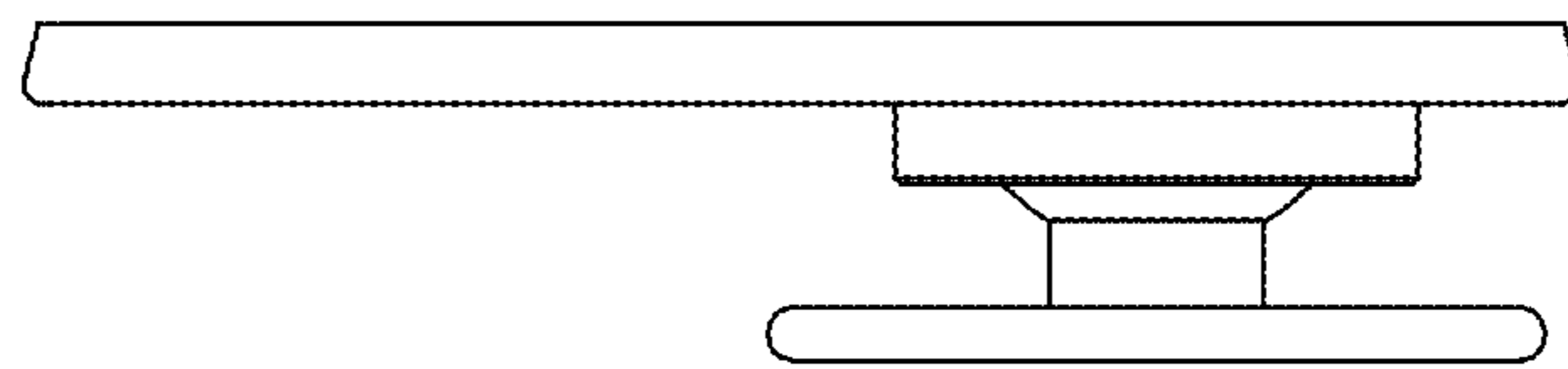


FIG. 2

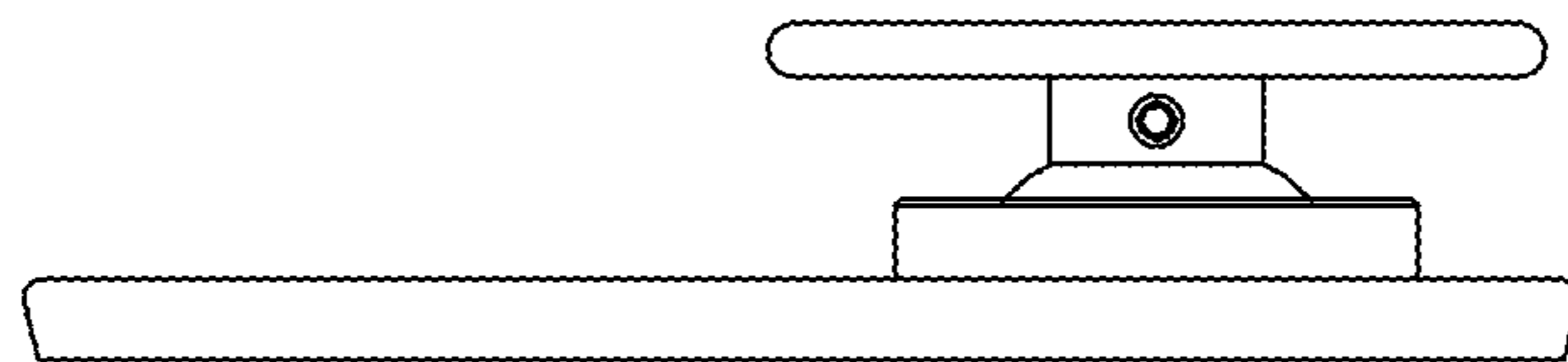


FIG. 3

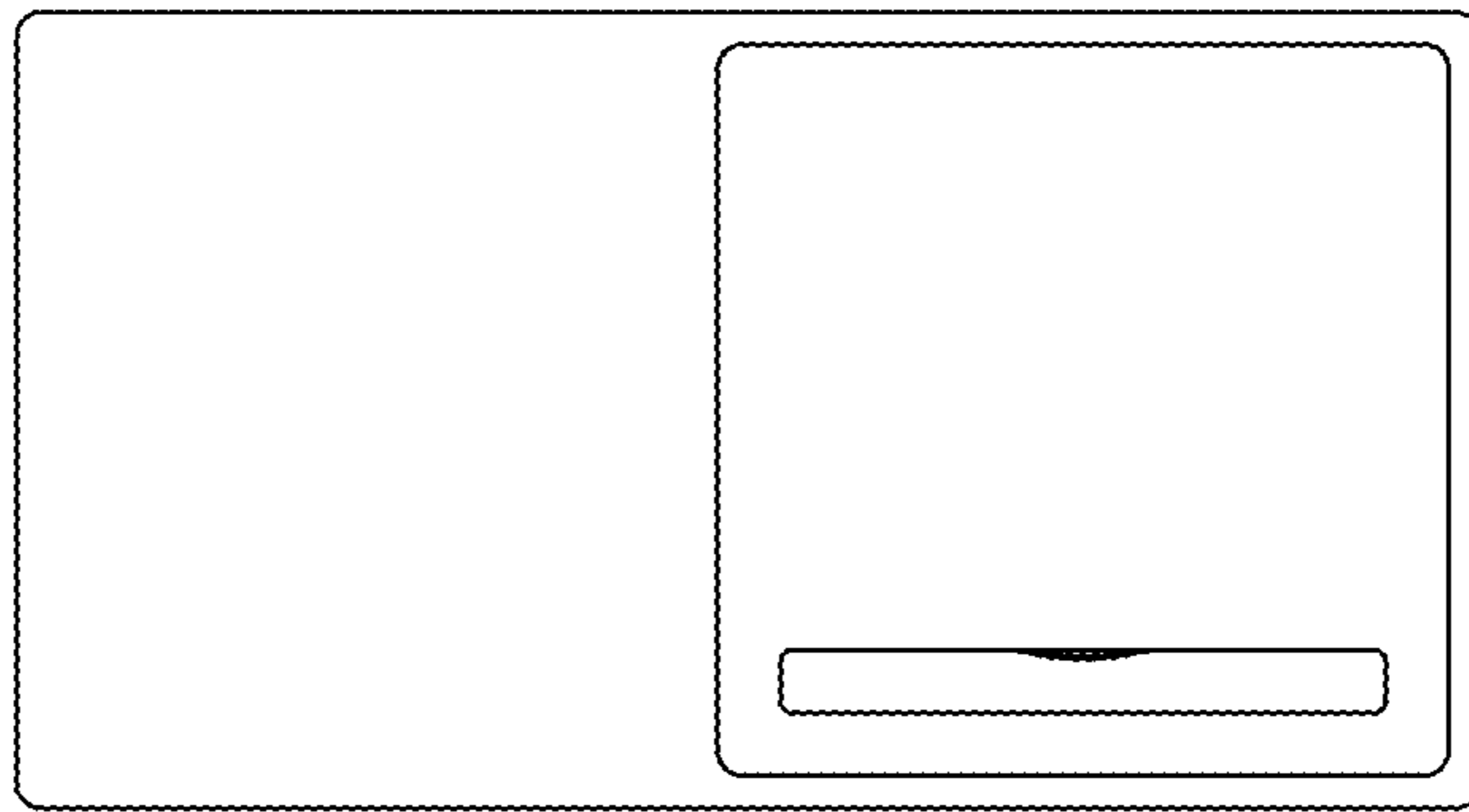


FIG. 4

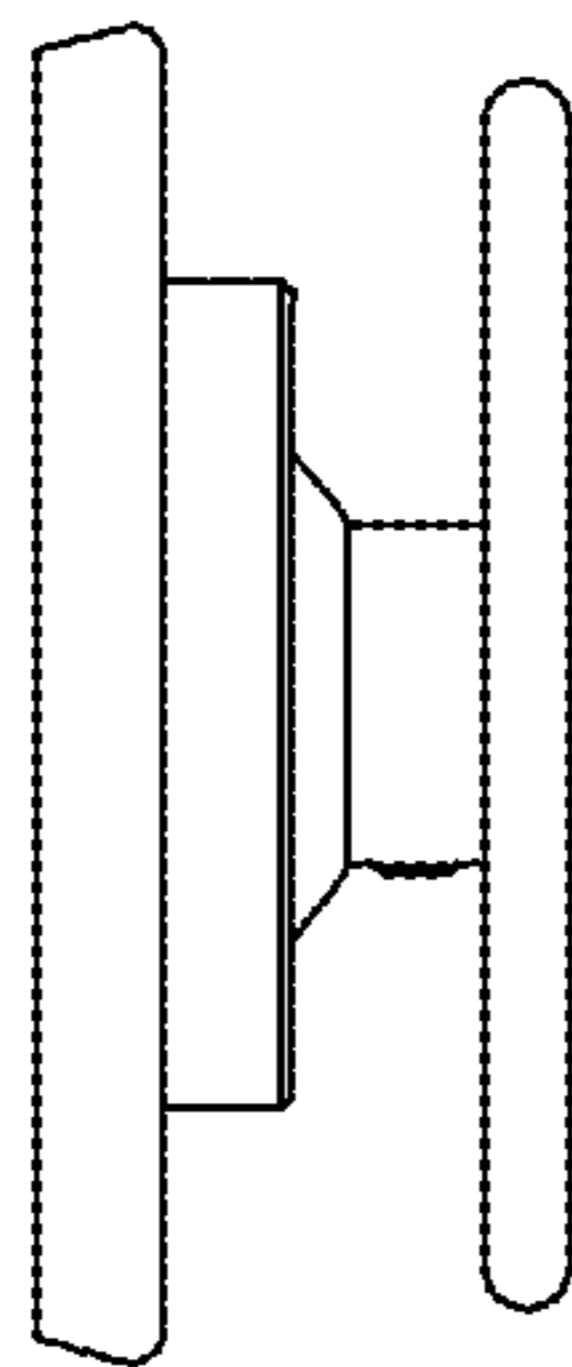


FIG. 5

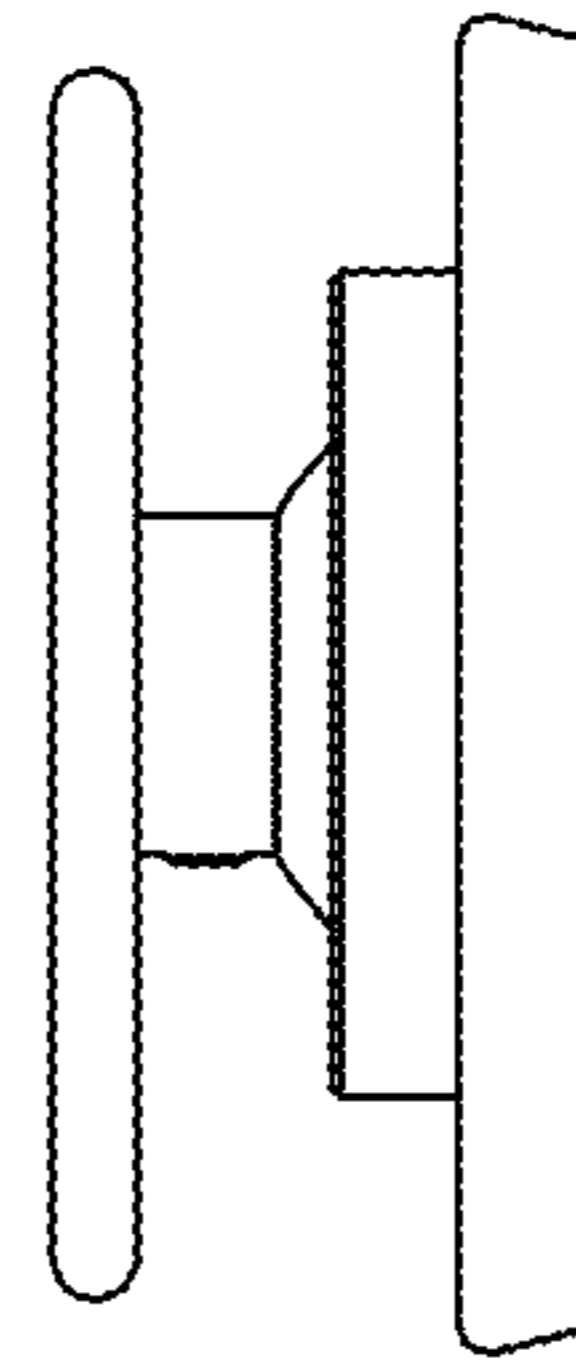


FIG. 6