



US00D900280S

(12) **United States Design Patent** (10) **Patent No.:** **US D900,280 S**  
**Judge** (45) **Date of Patent:** **\*\* Oct. 27, 2020**

(54) **FAUCET**  
(71) Applicant: **DELTA FAUCET COMPANY**,  
Indianapolis, IN (US)  
(72) Inventor: **Jack William Judge**, Indianapolis, IN  
(US)  
(73) Assignee: **DELTA FAUCET COMPANY**,  
Indianapolis, IN (US)  
(\*\*) Term: **15 Years**  
(21) Appl. No.: **29/642,380**  
(22) Filed: **Mar. 29, 2018**  
(51) **LOC (12) Cl.** ..... **23-01**  
(52) **U.S. Cl.**  
USPC ..... **D23/238**  
(58) **Field of Classification Search**  
USPC ..... D23/238, 241–243, 249–250, 252,  
D23/254–255, 257, 226; D8/307–308  
CPC ..... Y10T 137/9464; Y10T 137/6014; Y10T  
137/6017  
See application file for complete search history.

(56) **References Cited**  
U.S. PATENT DOCUMENTS  
D573,696 S \* 7/2008 Eilmus ..... D23/255  
D580,019 S \* 11/2008 Sedwick ..... D23/252  
D580,023 S \* 11/2008 Gilbert ..... D23/255  
D591,835 S \* 5/2009 Williams ..... D23/252

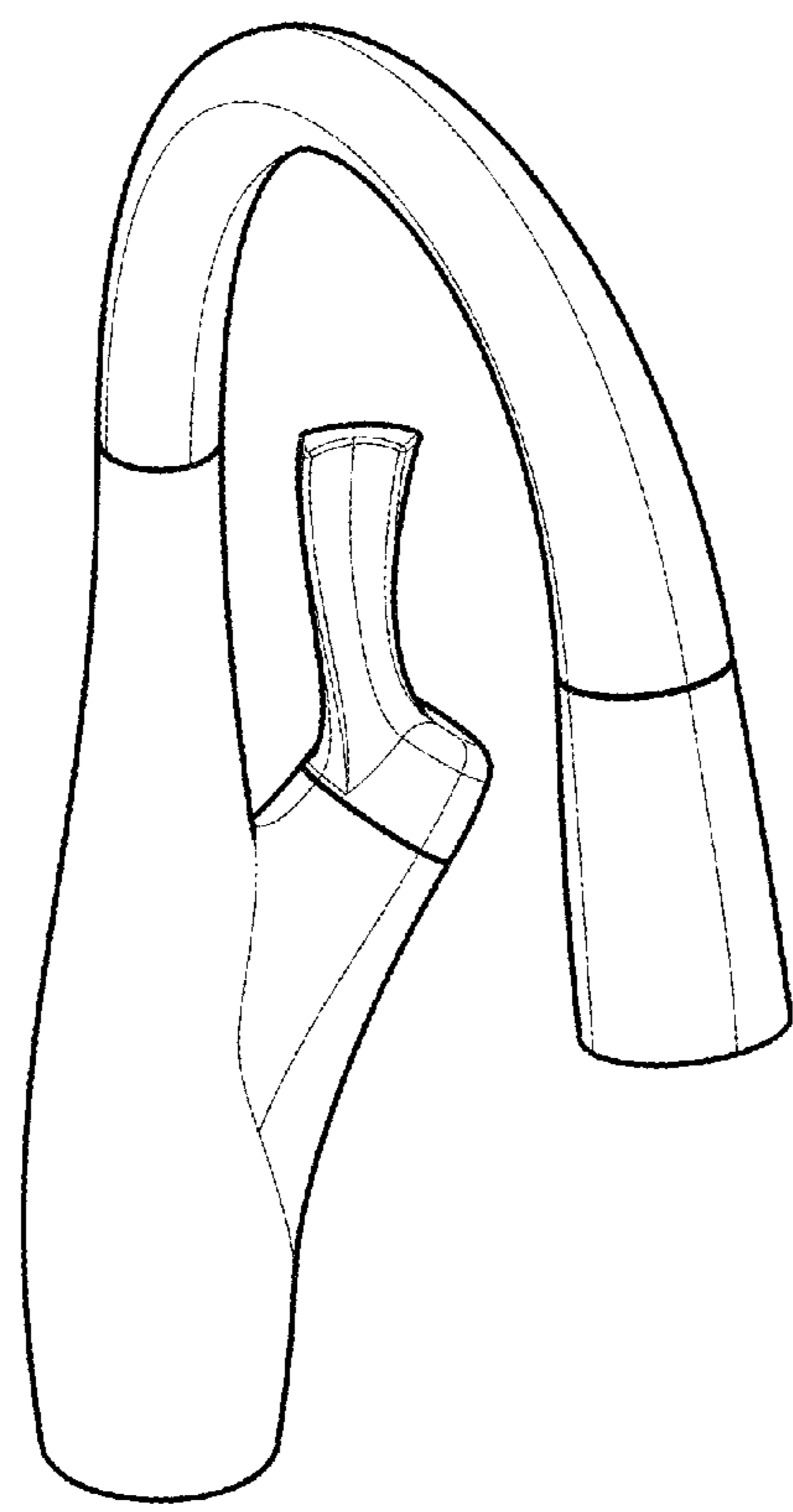
D598,984 S \* 8/2009 Corbett ..... D23/252  
D642,241 S \* 7/2011 Corbett ..... D23/255  
D714,916 S \* 10/2014 Flowers ..... D23/255  
D723,661 S \* 3/2015 Zhang ..... D23/238  
9,057,184 B2 \* 6/2015 Meehan ..... E03C 1/0404  
D746,413 S \* 12/2015 Hanna ..... D23/255  
D769,421 S \* 10/2016 Hanna ..... D23/252  
D809,106 S \* 1/2018 Wang ..... D23/252  
D830,520 S \* 10/2018 Spangler ..... D23/252  
D840,505 S \* 2/2019 Zhang ..... D23/238  
D860,404 S \* 9/2019 Judge ..... D23/252  
D877,296 S \* 3/2020 Tentler ..... D23/238

\* cited by examiner  
*Primary Examiner* — Robert A Delehanty  
(74) *Attorney, Agent, or Firm* — Nirav D. Parikh; Edgar  
A. Zarins

(57) **CLAIM**  
The ornamental design for a faucet, as shown and described.

**DESCRIPTION**  
FIG. 1 is a front perspective view of a faucet showing my  
new design;  
FIG. 2 is a rear perspective view thereof;  
FIG. 3 is a front elevational view thereof;  
FIG. 4 is a left side view thereof;  
FIG. 5 is a rear view thereof;  
FIG. 6 is a right side view thereof;  
FIG. 7 is a top plan view thereof; and,  
FIG. 8 is a bottom view thereof.  
Portions of the article shown in phantom lines form no part  
of the claimed design.

**1 Claim, 4 Drawing Sheets**



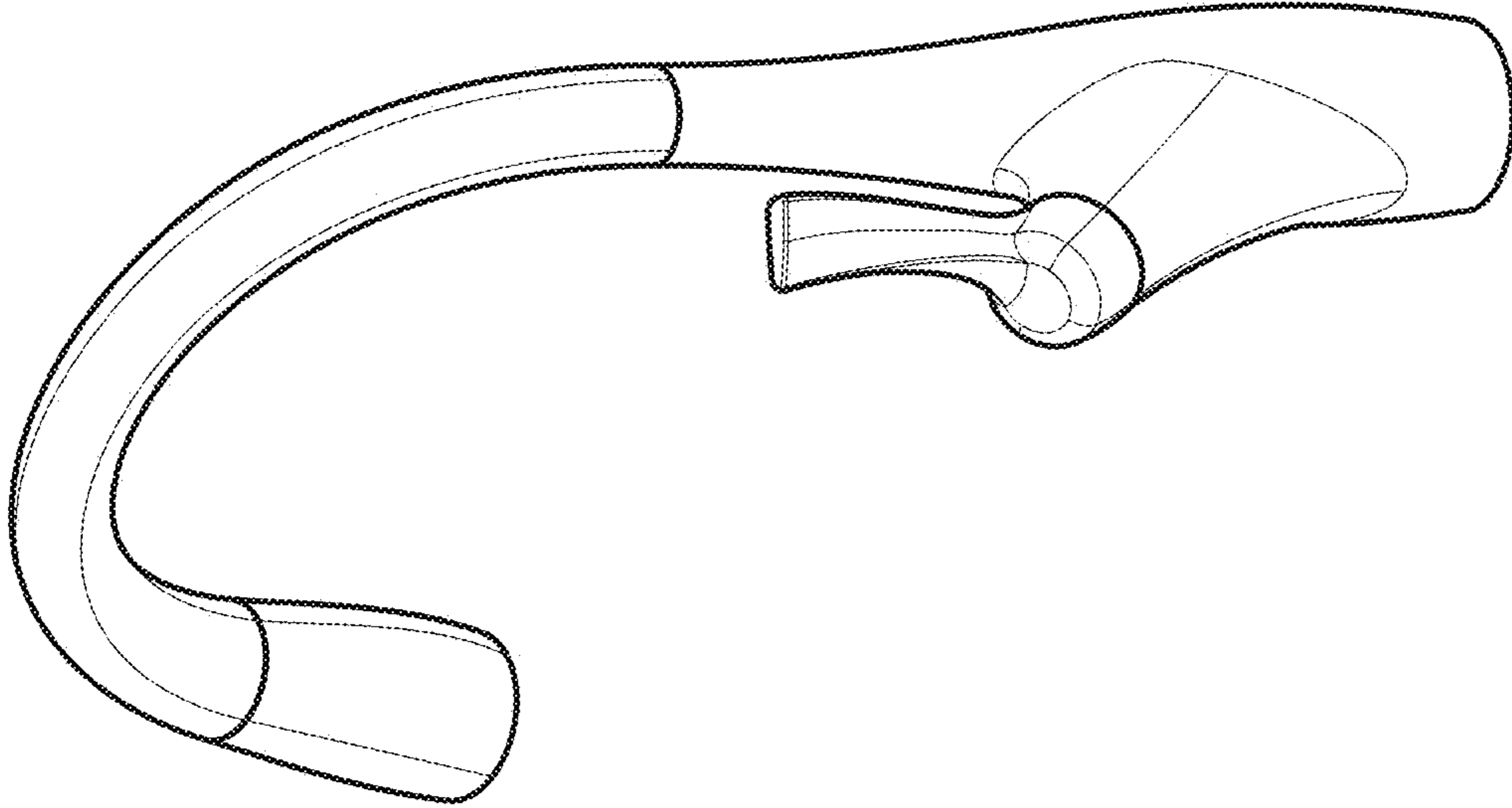


Fig. 1

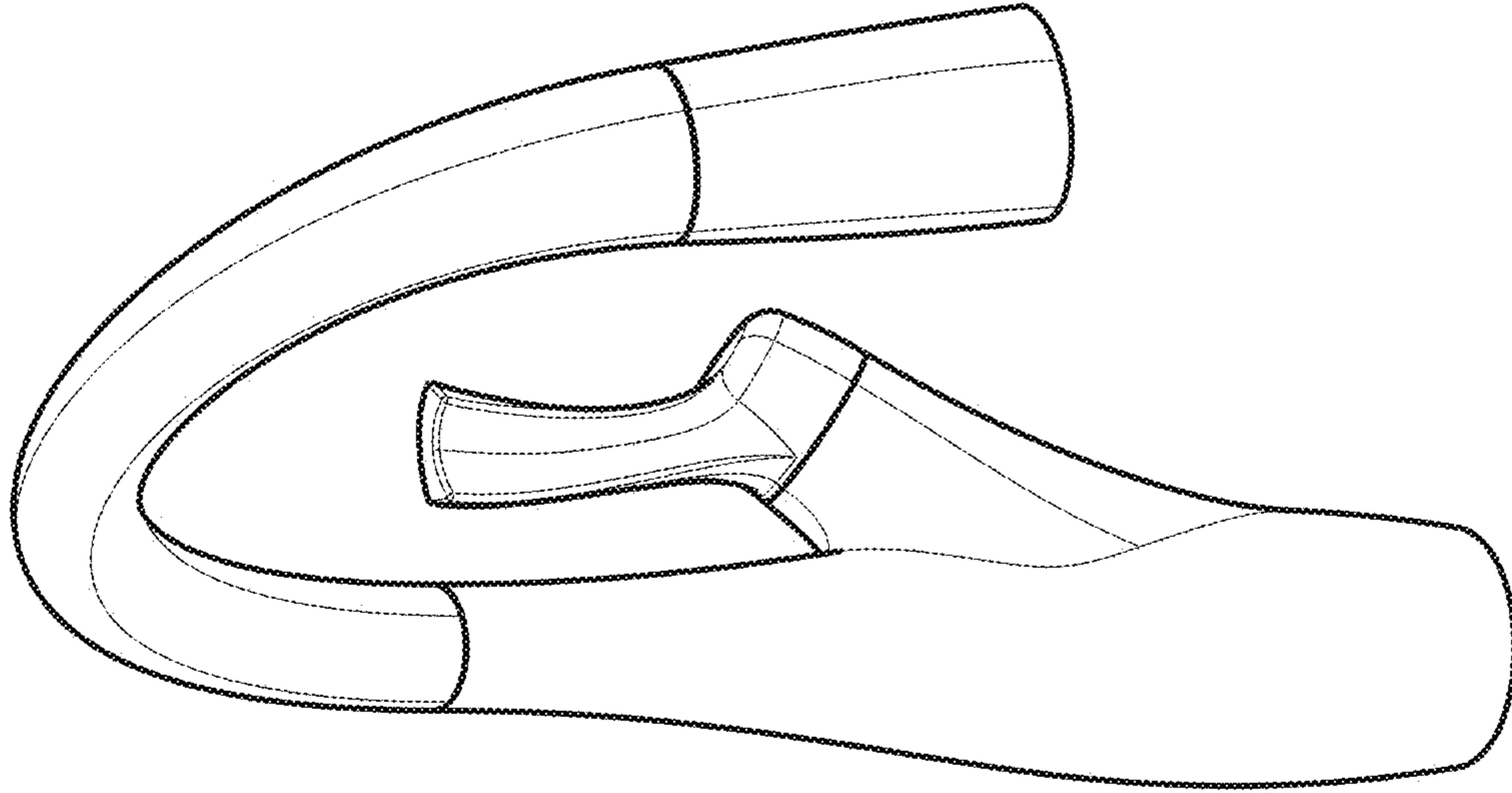


Fig. 2

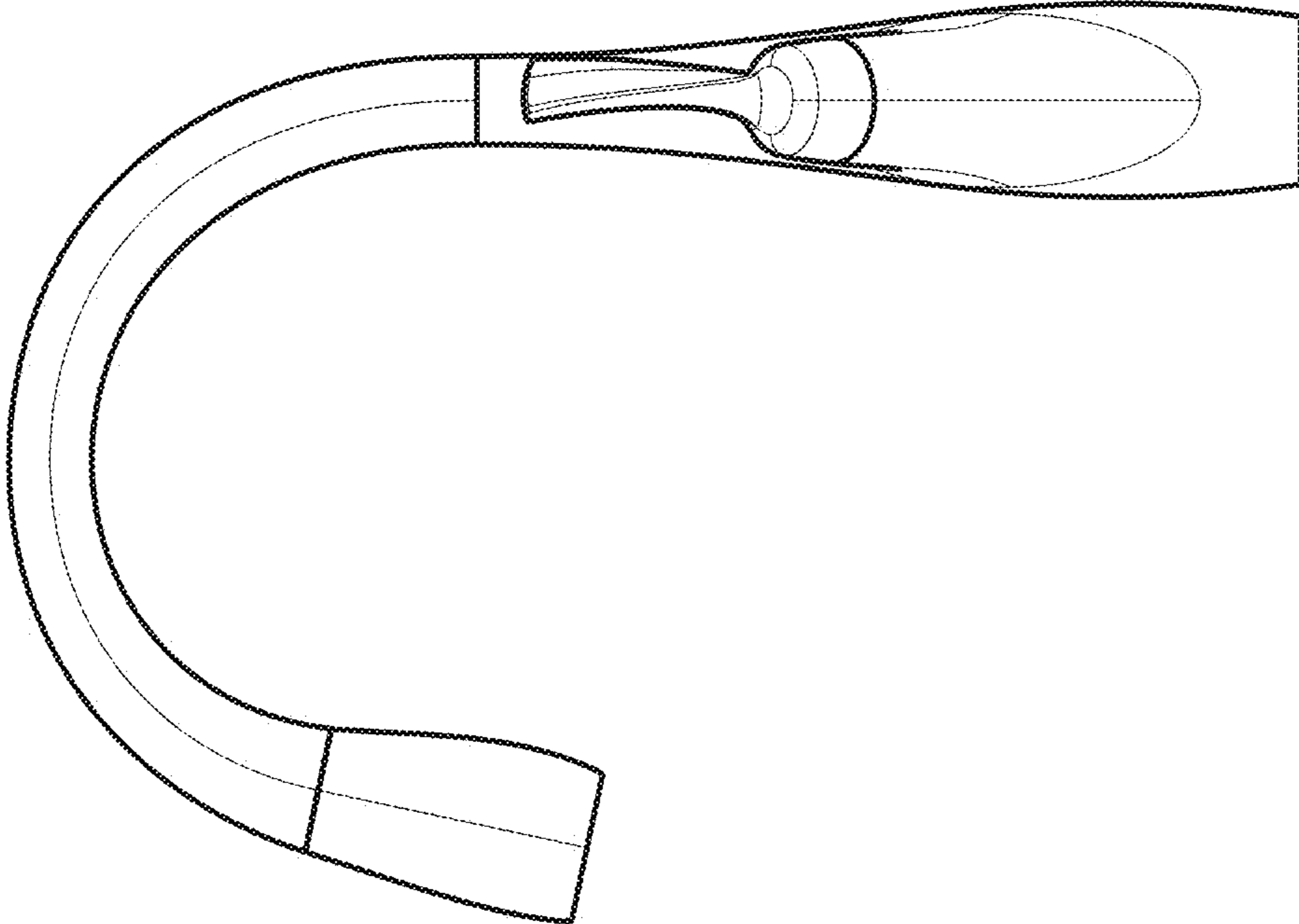


Fig. 4

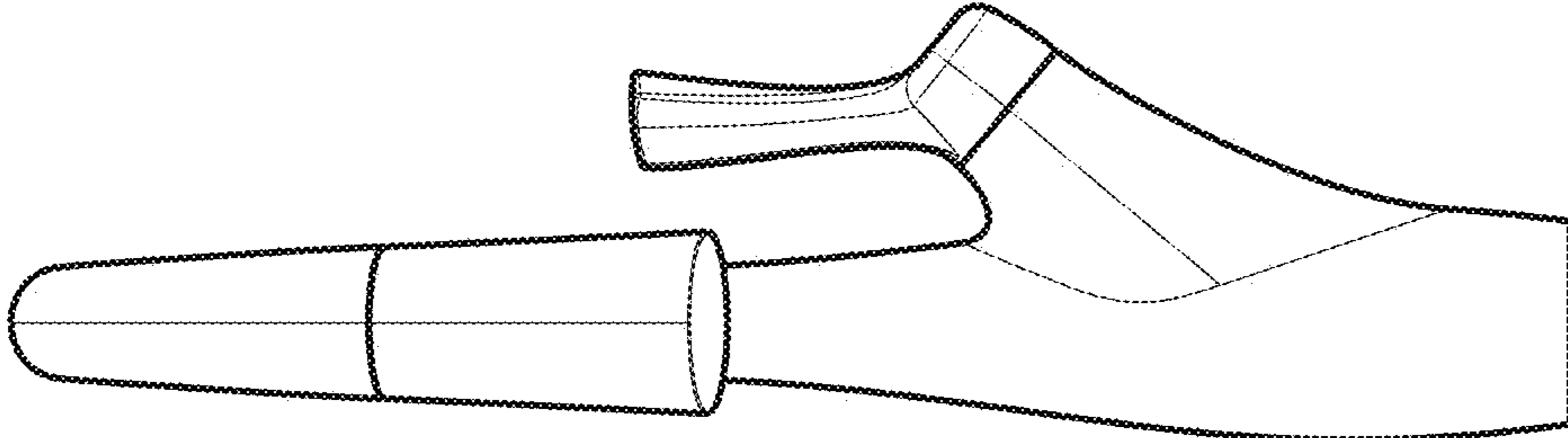


Fig. 3

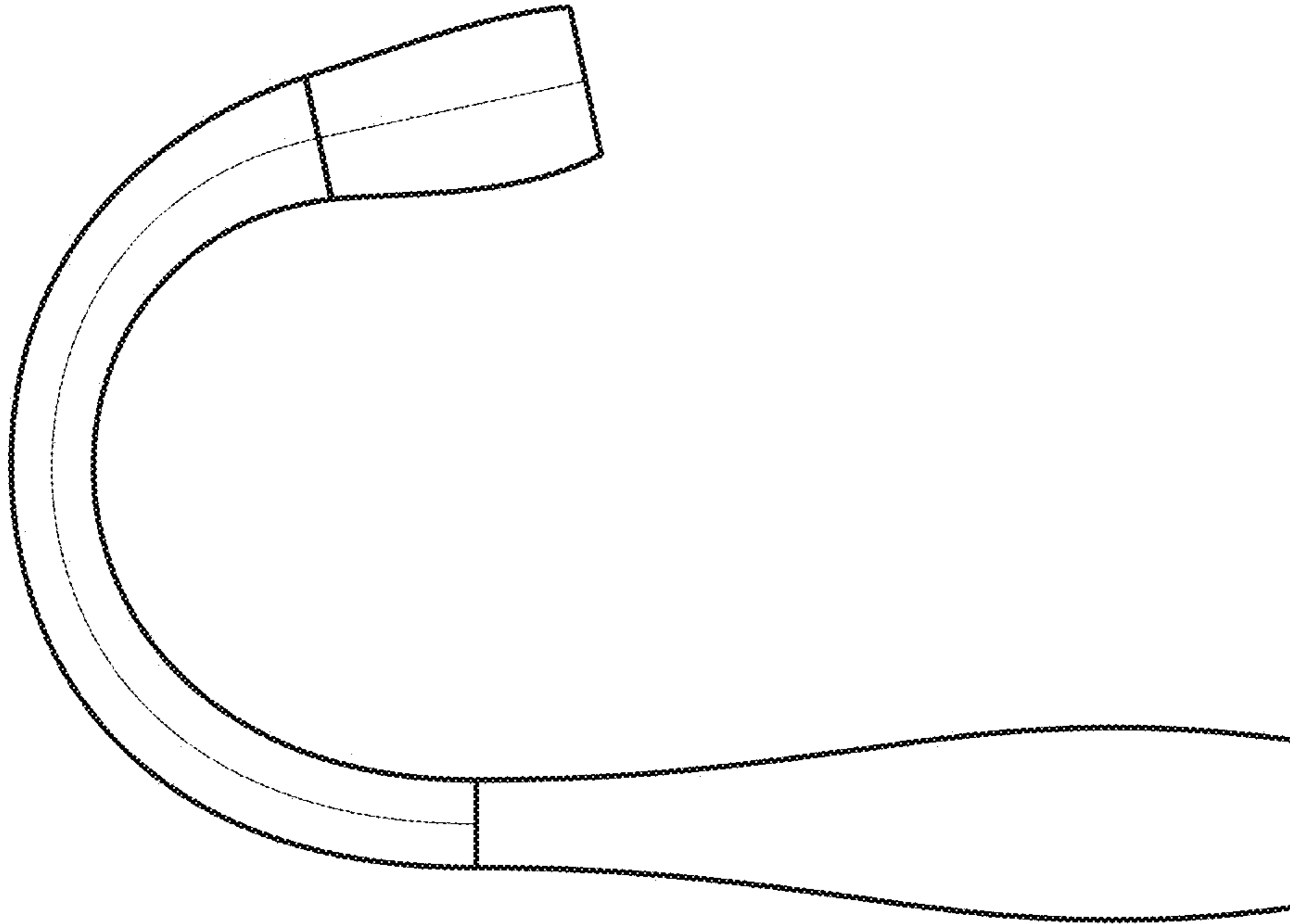


Fig. 6

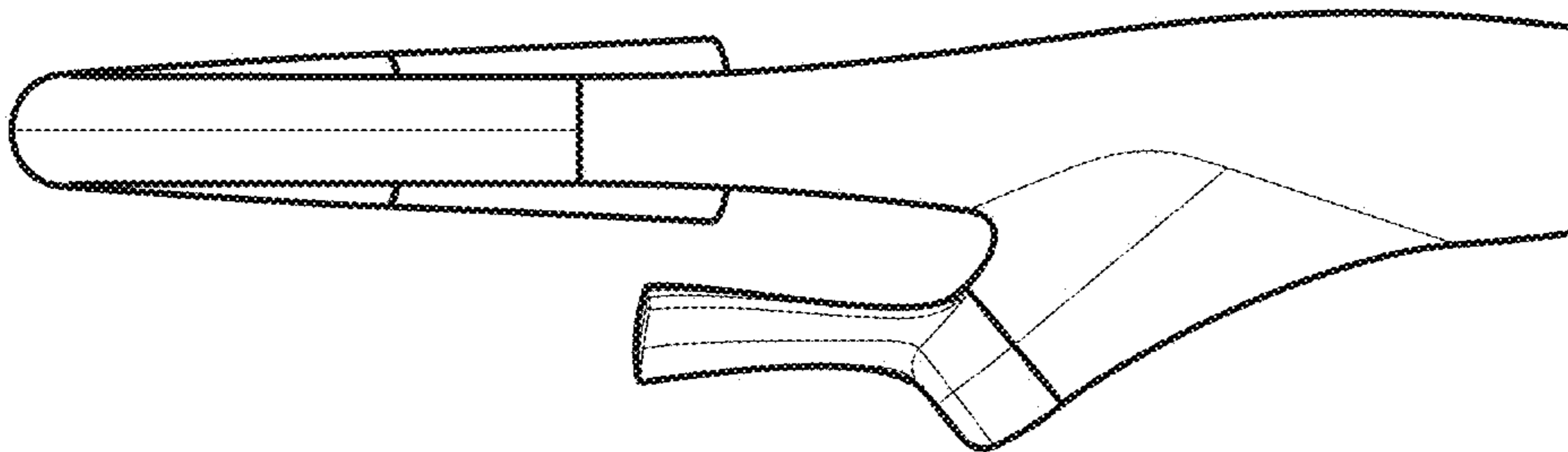


Fig. 5

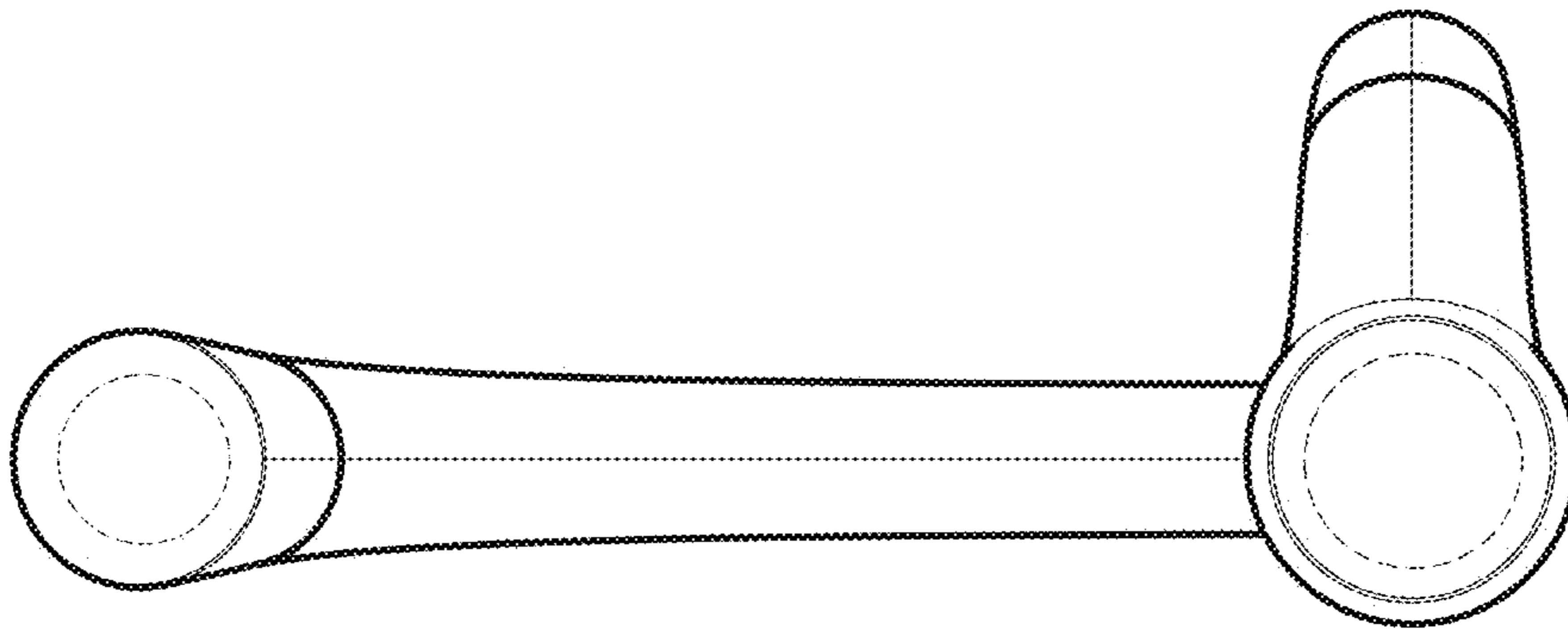


Fig. 8

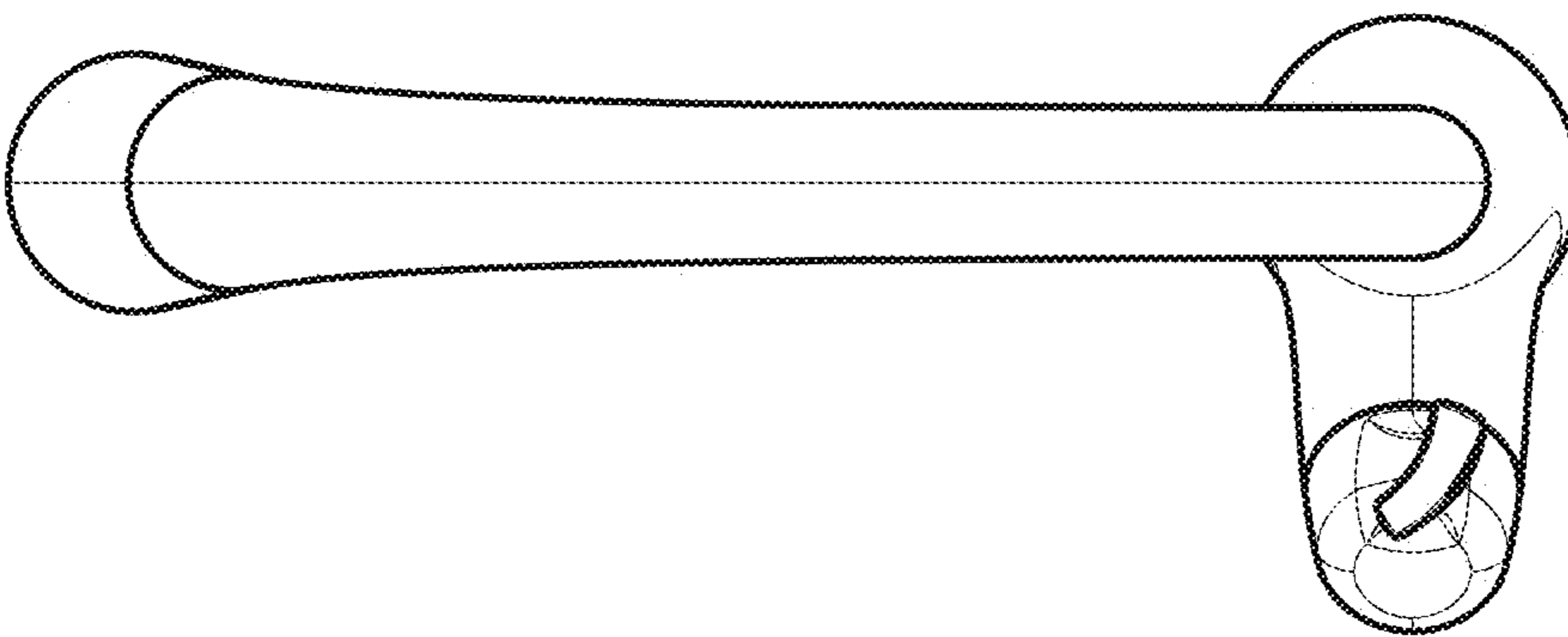


Fig. 7