



US00D900277S

(12) **United States Design Patent** (10) **Patent No.:** **US D900,277 S**
Albino et al. (45) **Date of Patent:** **** Oct. 27, 2020**

(54) **SPEAR WITH CAP**
(71) Applicant: **ECOSPEARS, INC.**, Altamonte Springs, FL (US)
(72) Inventors: **Sergie A. Albino**, Longwood, FL (US); **Phillip Maloney**, Orlando, FL (US)
(73) Assignee: **ECOSPEARS, INC.**, Altamonte Springs, FL (US)
(**) Term: **15 Years**
(21) Appl. No.: **29/677,106**
(22) Filed: **Jan. 17, 2019**
(51) **LOC (12) Cl.** **23-01**
(52) **U.S. Cl.**
USPC **D23/207**
(58) **Field of Classification Search**
USPC D23/200, 202, 207-210; D6/512, 542; D7/306-308; D8/1, 391, 448 B01D 5/006; B01D 35/30; C02F 1/002; C02F 1/003; B09C 2101/00
See application file for complete search history.

(56) **References Cited**
U.S. PATENT DOCUMENTS
3,389,803 A * 6/1968 Barley A47G 21/188 210/266
D338,600 S * 8/1993 Baezzo D8/1
5,447,400 A * 9/1995 Seymour F16B 13/002 411/29
D441,421 S * 5/2001 Aldred D23/209
D444,536 S * 7/2001 Farley A47G 21/188 D23/209
6,422,789 B1 7/2002 Brewer
D497,406 S * 10/2004 King D23/209
7,271,199 B1 9/2007 Quinn et al.
D562,430 S * 2/2008 Slawomir D23/209
D625,990 S * 10/2010 Lin D12/213
9,011,789 B2 4/2015 Quinn et al.
D774,625 S * 12/2016 Boughton D23/217
D799,265 S * 10/2017 Paille D7/409

D817,122 S * 5/2018 Ming F16B 13/002 D8/1
D843,201 S * 3/2019 Morey D8/391
D874,890 S * 2/2020 Lazarov D8/1
* cited by examiner
Primary Examiner — Sheryl Lane
Assistant Examiner — Calvin E Vansant
(74) *Attorney, Agent, or Firm* — Terry M. Sanks, Esq.; Beusse Sanks, PLLC

(57) **CLAIM**
The ornamental design of a spear with cap, as shown and described.

DESCRIPTION
FIG. 1 is a first perspective view of a spear with cap; FIG. 2 is an enlarged view of the spear with cap of FIG. 1 showing a first portion of the spear including the cap; FIG. 3 is an enlarged view of the spear with cap of FIG. 1 showing a second portion of the spear including the tip; FIG. 4 is a second perspective view of the spear with cap of FIG. 1; FIG. 5 is an enlarged view of the spear with cap of FIG. 1 showing the first portion of the spear including the cap; FIG. 6 is a top side view of the spear with cap of FIG. 1; FIG. 7 is a bottom side view thereof; FIG. 8 is a front side view thereof; FIG. 9 is an enlarged front side view of the spear with cap of FIG. 1 showing the first portion of the spear including the cap; FIG. 10 is a rear side view of the spear with cap of FIG. 1; FIG. 11 is an enlarged rear side view of the spear with cap of FIG. 1 showing the first portion of the spear including the cap; FIG. 12 is a right side view of the spear with cap of FIG. 1; FIG. 13 is an enlarged right side view of the spear with cap of FIG. 1 showing the first portion of the spear including the cap; FIG. 14 is a left side view of the spear with cap of FIG. 1;
(Continued)

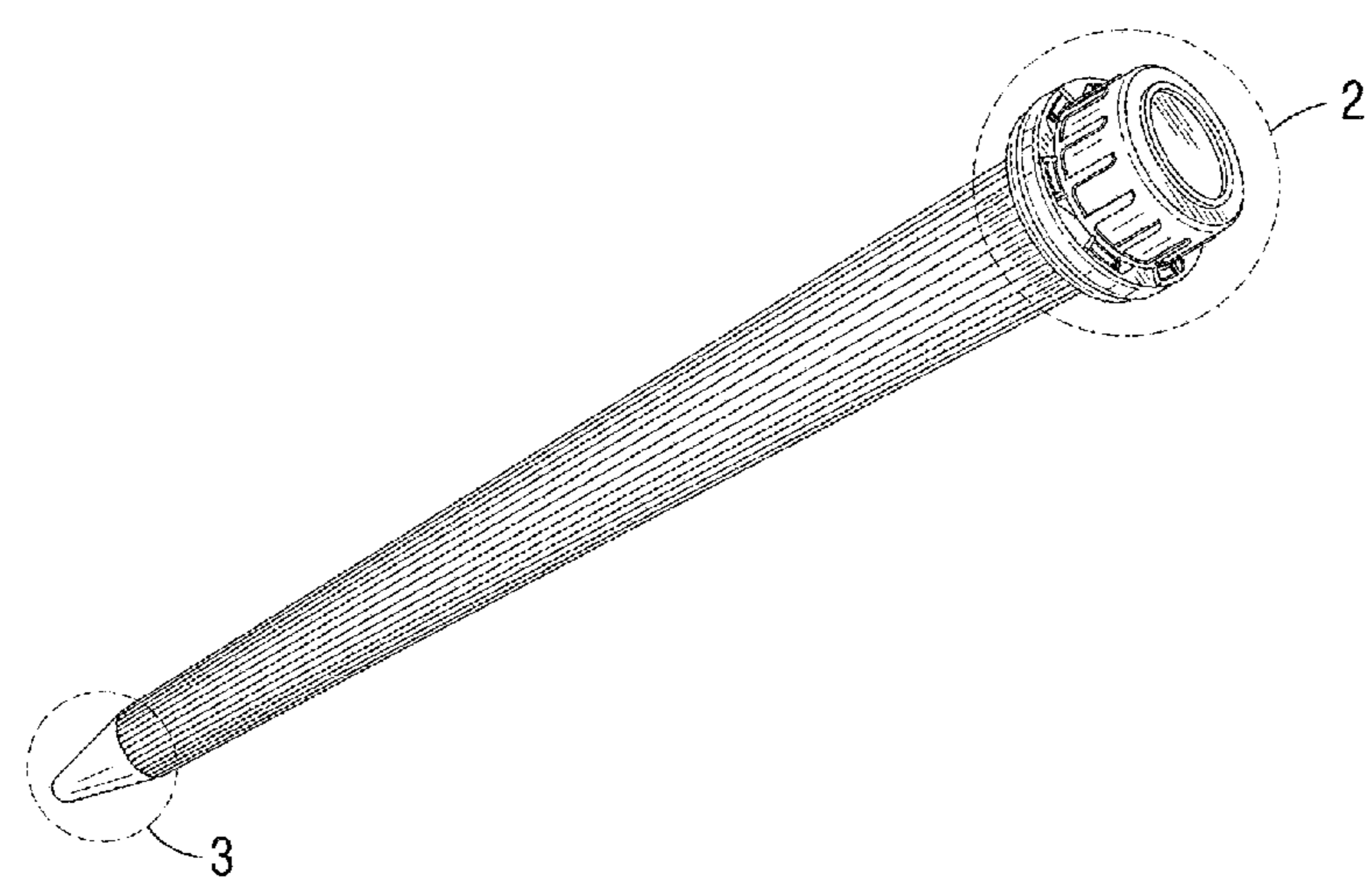


FIG. 15 is an enlarged left side view of the spear with cap of FIG. 1 showing the first portion of the spear including the cap;

FIG. 16 is the first perspective view of the spear with cap of FIG. 1, the only difference being that the cap is removed;

FIG. 17 is an enlarged view of the spear with cap of FIG. 1 showing a first portion of the spear without the cap;

FIG. 18 is an enlarged view of the spear with cap of FIG. 1 showing a second portion of the spear including the tip;

FIG. 19 is the second perspective view of the spear with cap of FIG. 1, the only difference being that the cap is removed;

FIG. 20 is an enlarged view of the spear with cap of FIG. 1 showing the first portion of the spear without the cap;

FIG. 21 is a top side view of the spear with cap of FIG. 1, the only difference being that the cap is removed;

FIG. 22 is a bottom side view thereof;

FIG. 23 is a front side view of the spear with cap of FIG. 1, the only difference being that the cap is removed;

FIG. 24 is an enlarged front side view of the spear with cap of FIG. 1 showing the first portion of the spear without the cap;

FIG. 25 is a rear side view of the spear with cap of FIG. 1, the only difference being that the cap is removed;

FIG. 26 is an enlarged rear side view of the spear with cap of FIG. 1 showing the first portion of the spear without the cap;

FIG. 27 is a right side view of the spear with cap of FIG. 1, the only difference being that the cap is removed;

FIG. 28 is an enlarged right side view of the spear with cap of FIG. 1 showing the first portion of the spear without the cap;

FIG. 29 is a left side view of the spear with cap of FIG. 1, the only difference being that the cap is removed; and,

FIG. 30 is an enlarged left side view of the spear with cap of FIG. 1 showing the first portion of the spear without the cap.

In the drawings, the dashed broken lines define the boundary of the enlarged areas used to show detail, the dashed broken lines form no part of the claim.

1 Claim, 14 Drawing Sheets

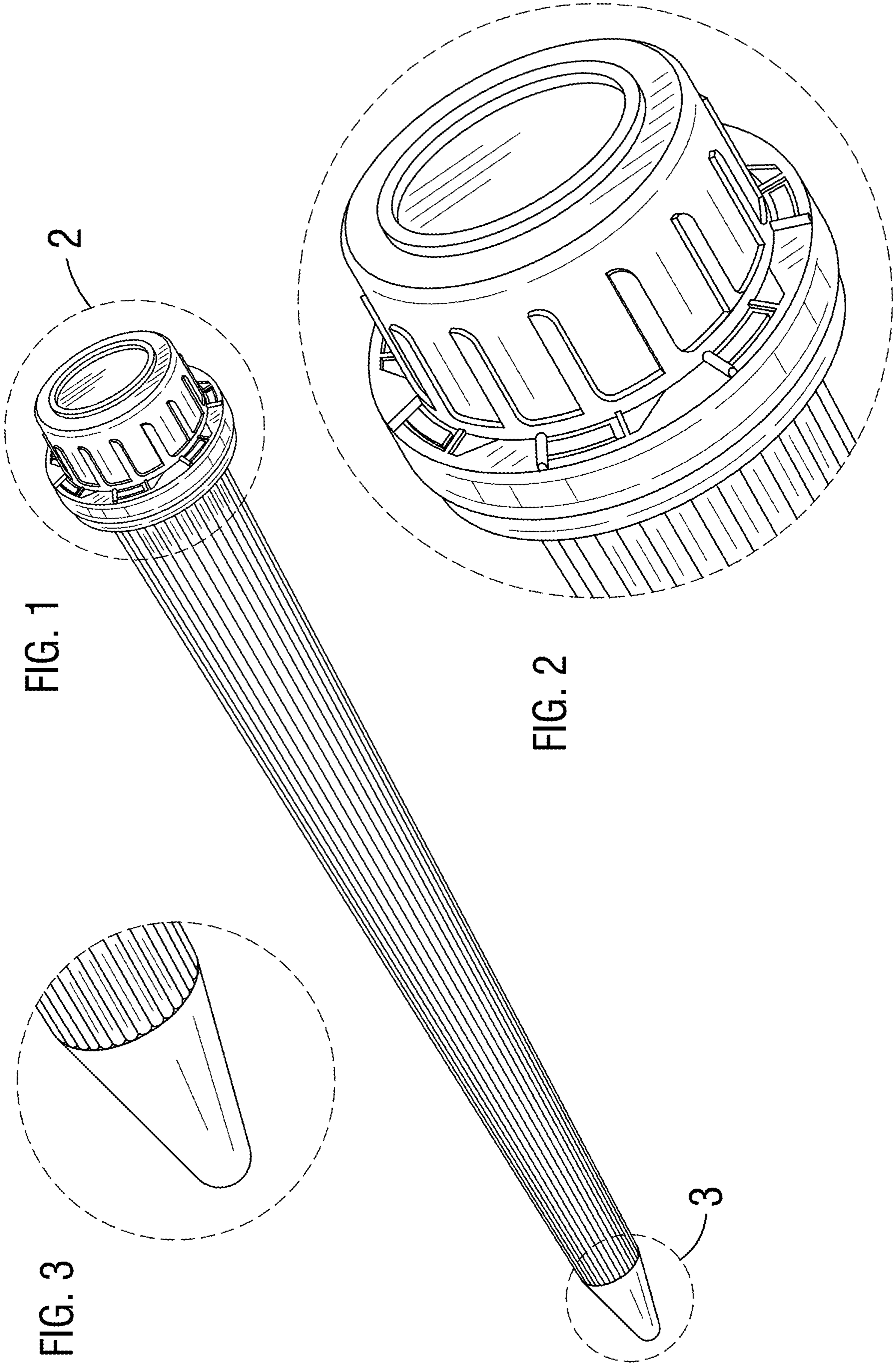


FIG. 1

FIG. 2

FIG. 3

2

3

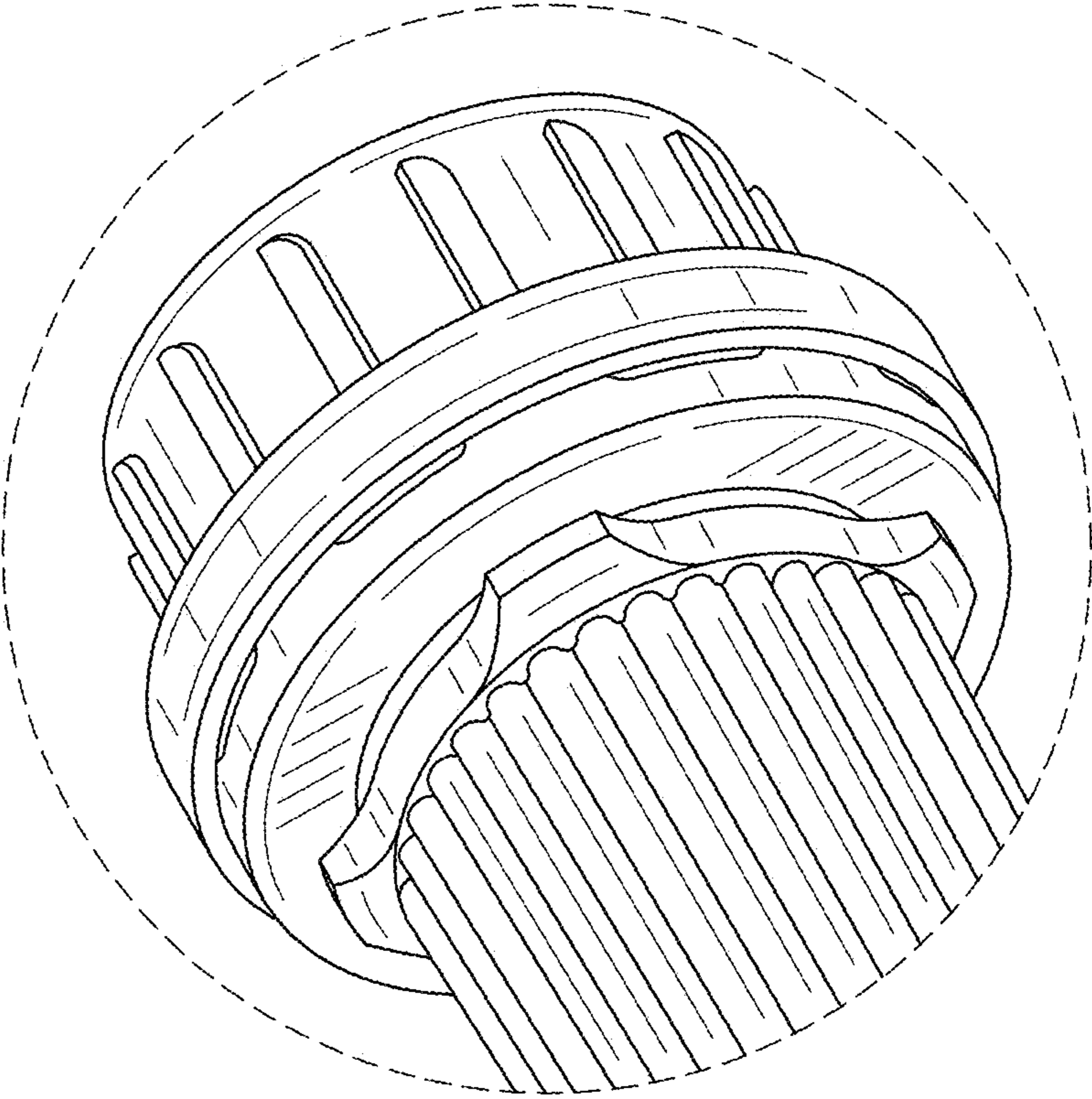
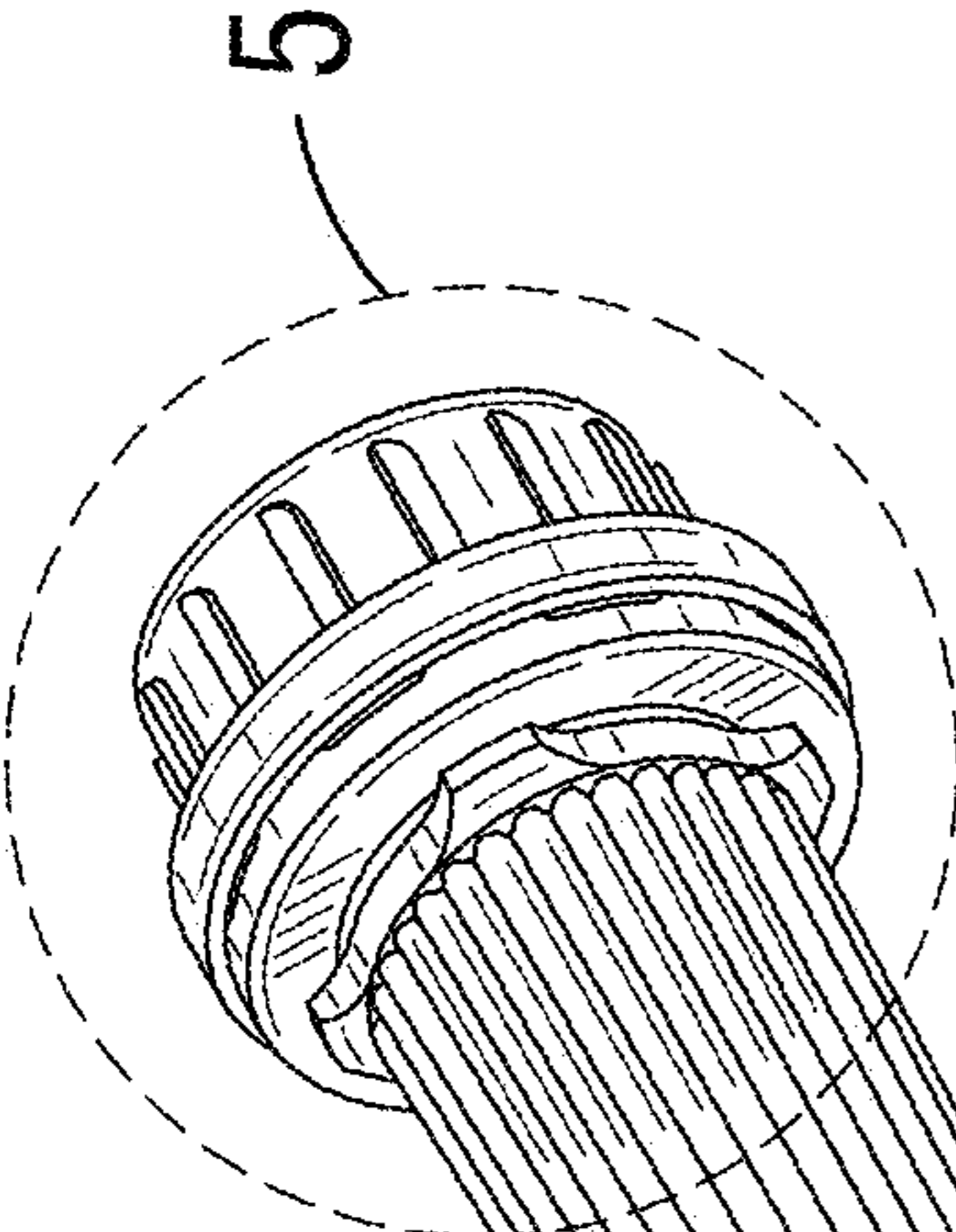


FIG. 4

FIG. 5

FIG. 6

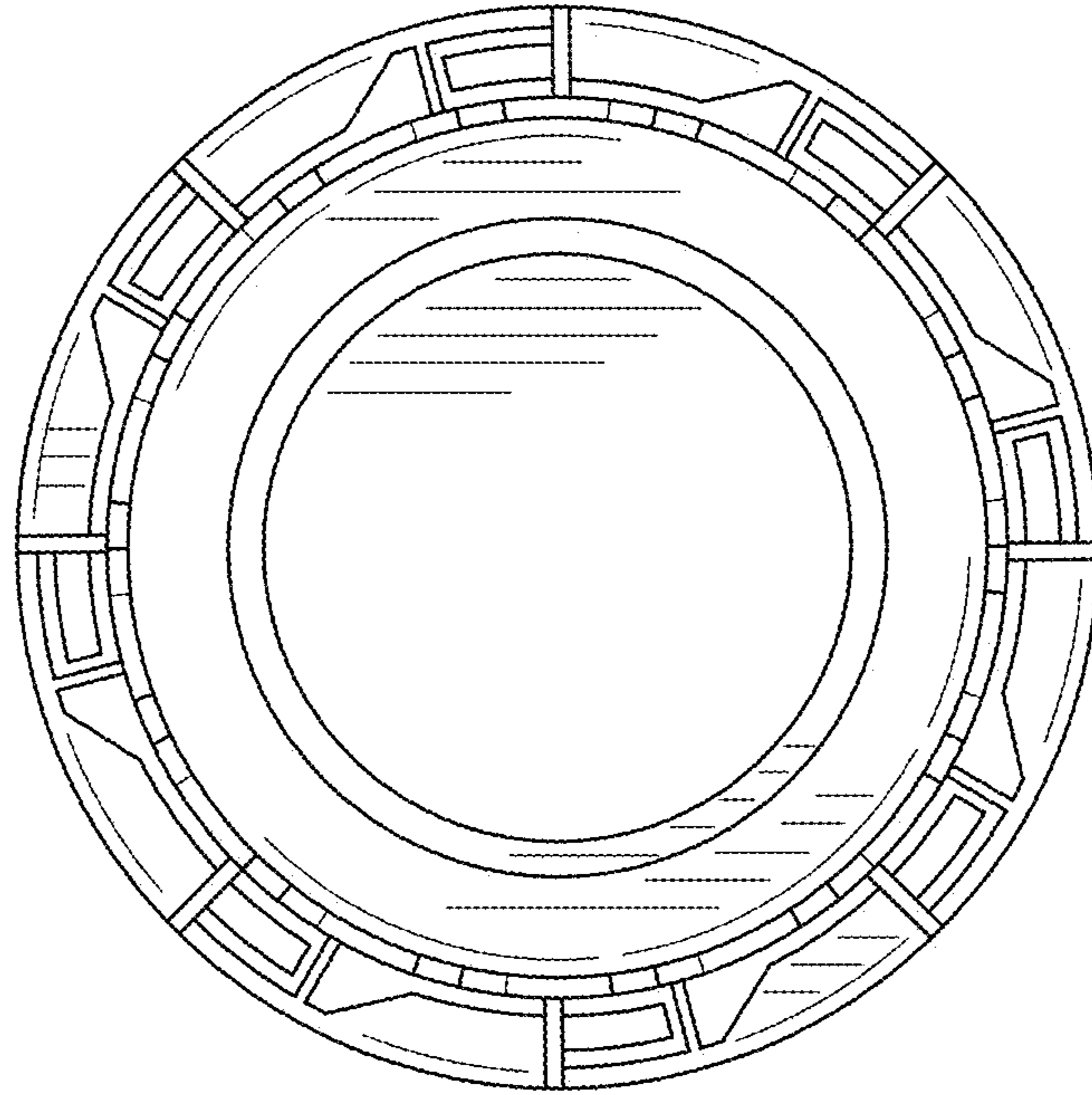
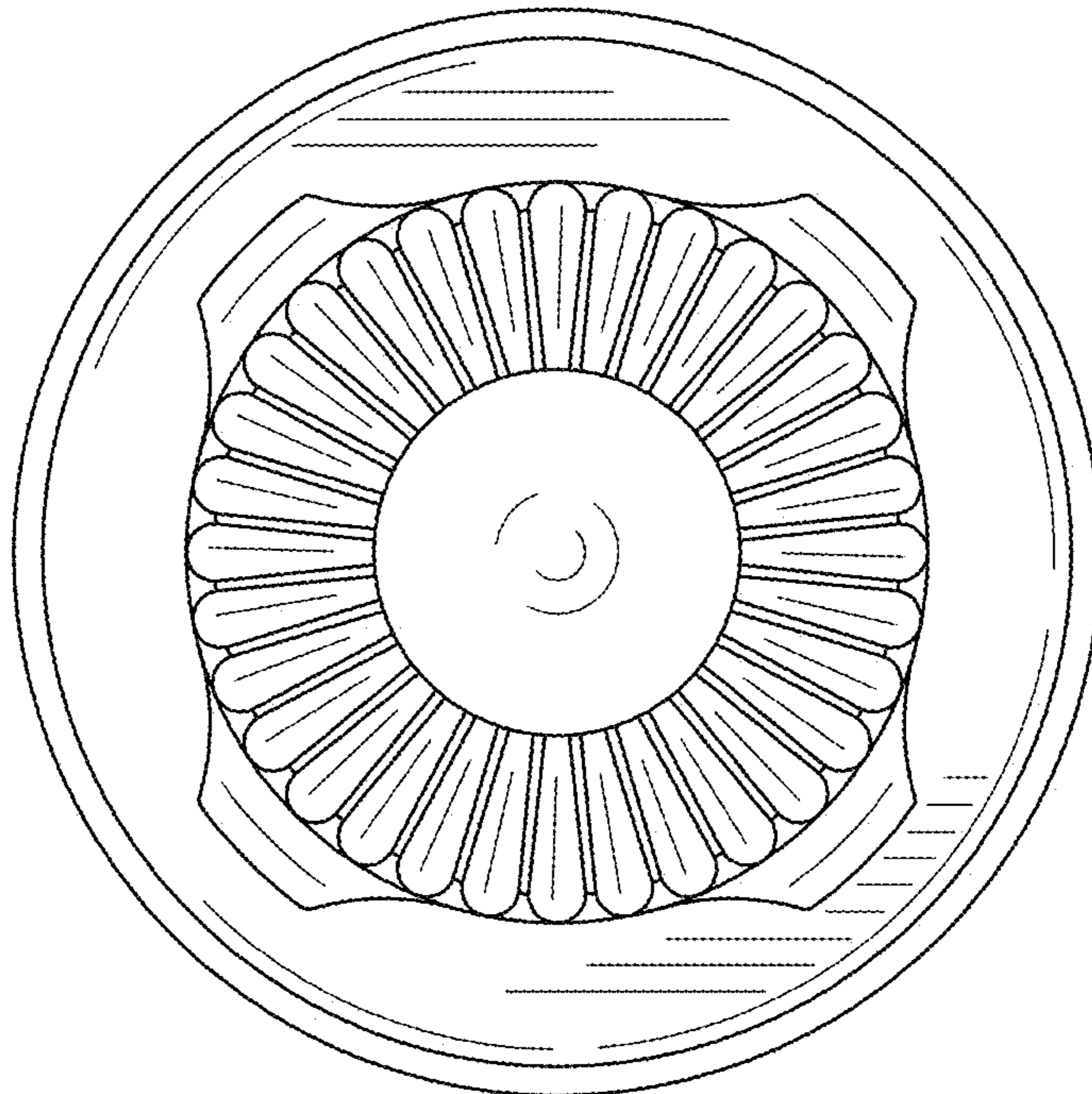


FIG. 7



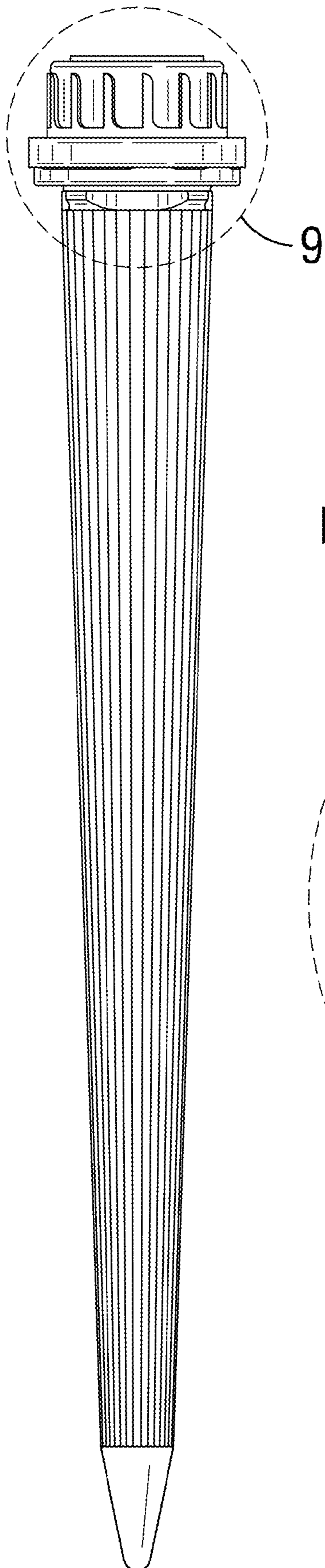
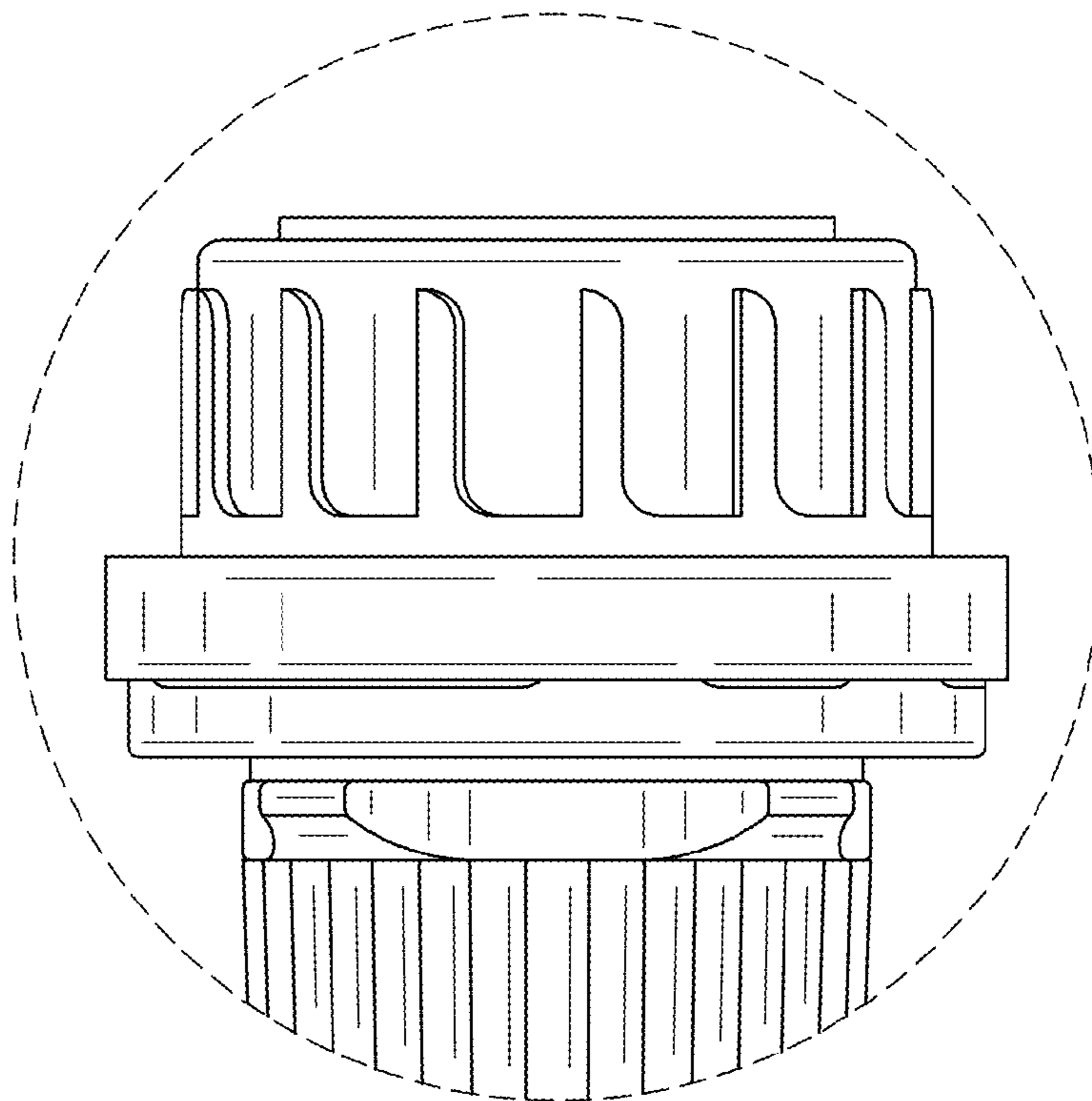


FIG. 9



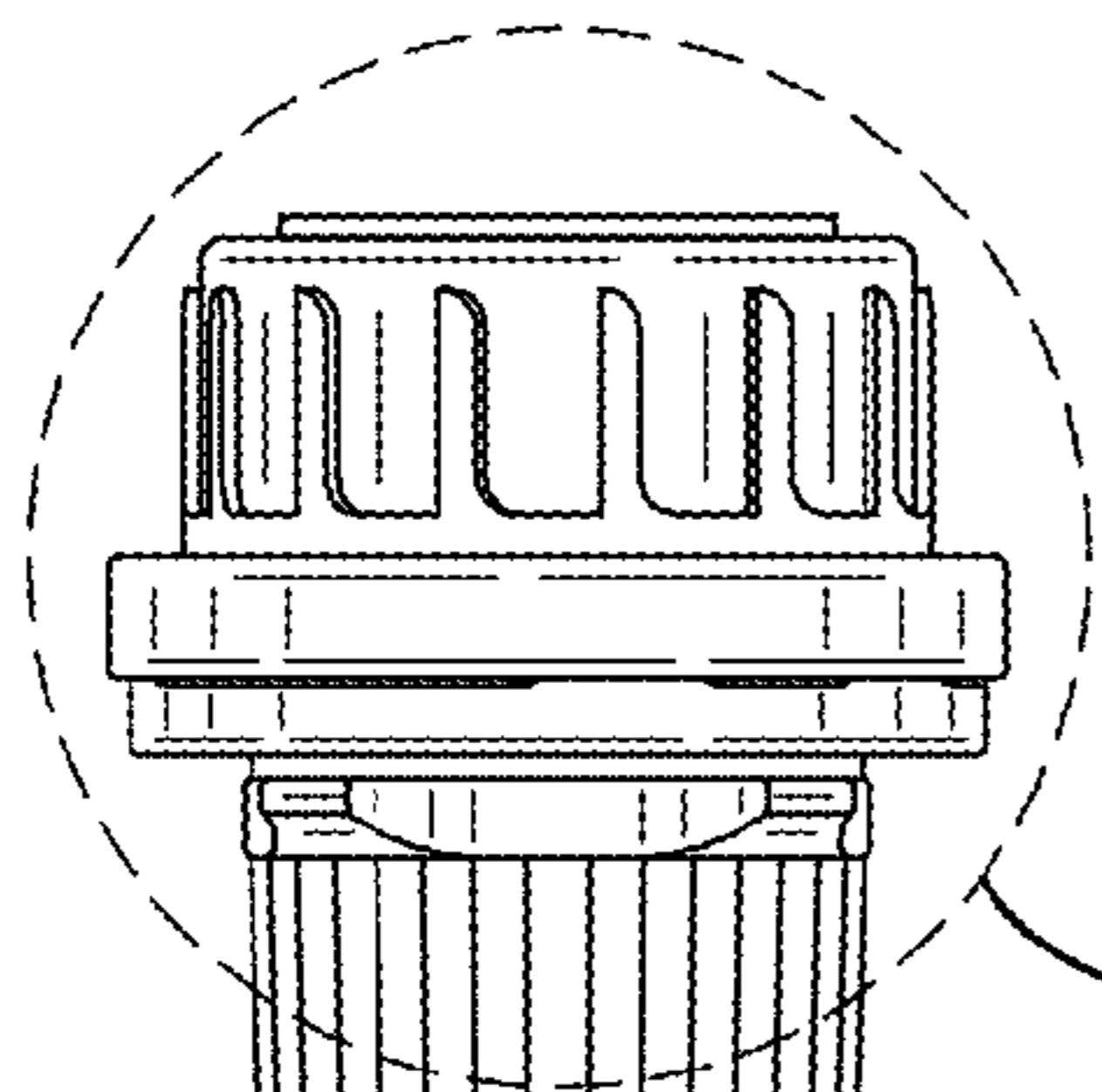
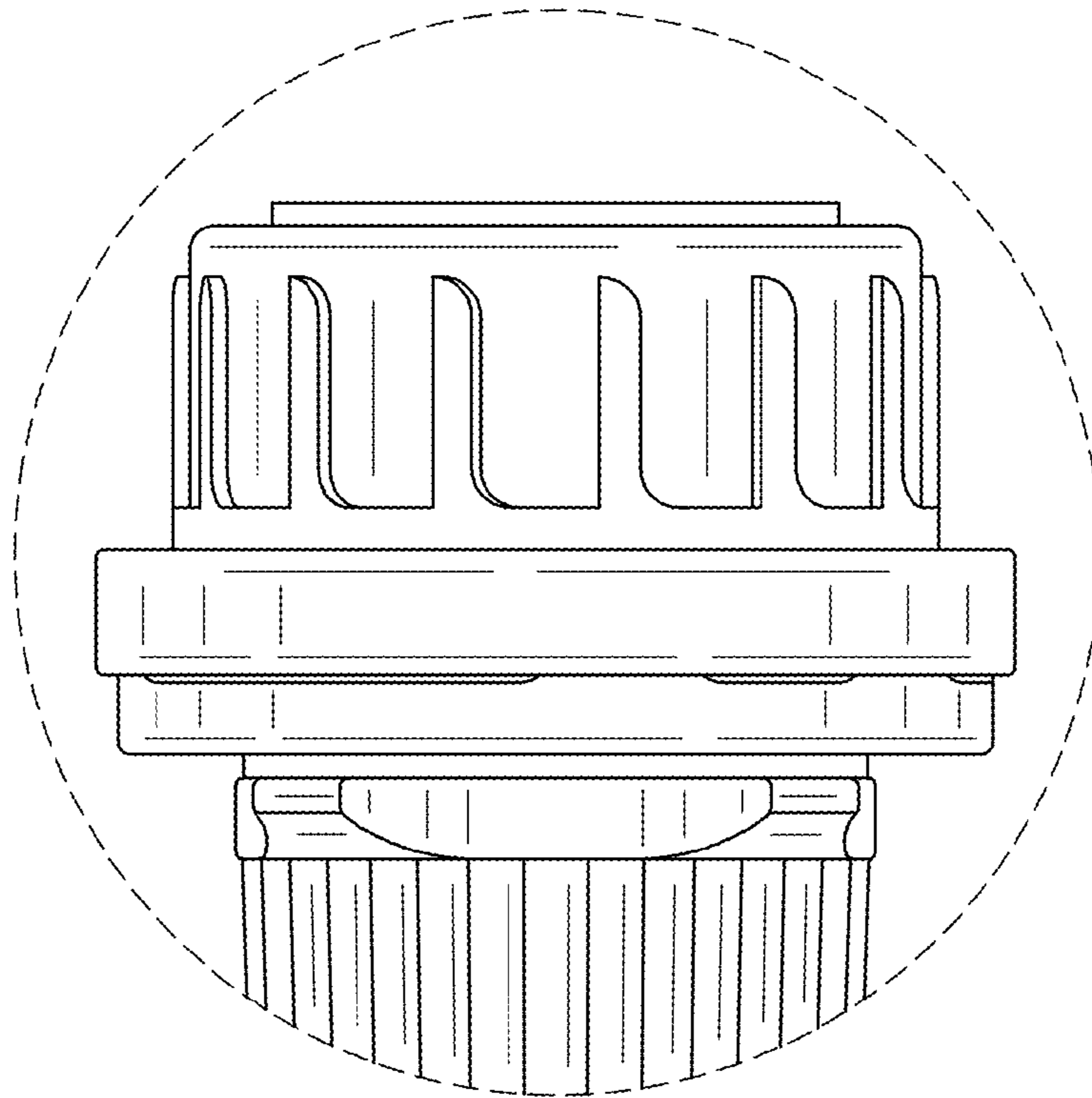


FIG. 10

11

FIG. 11



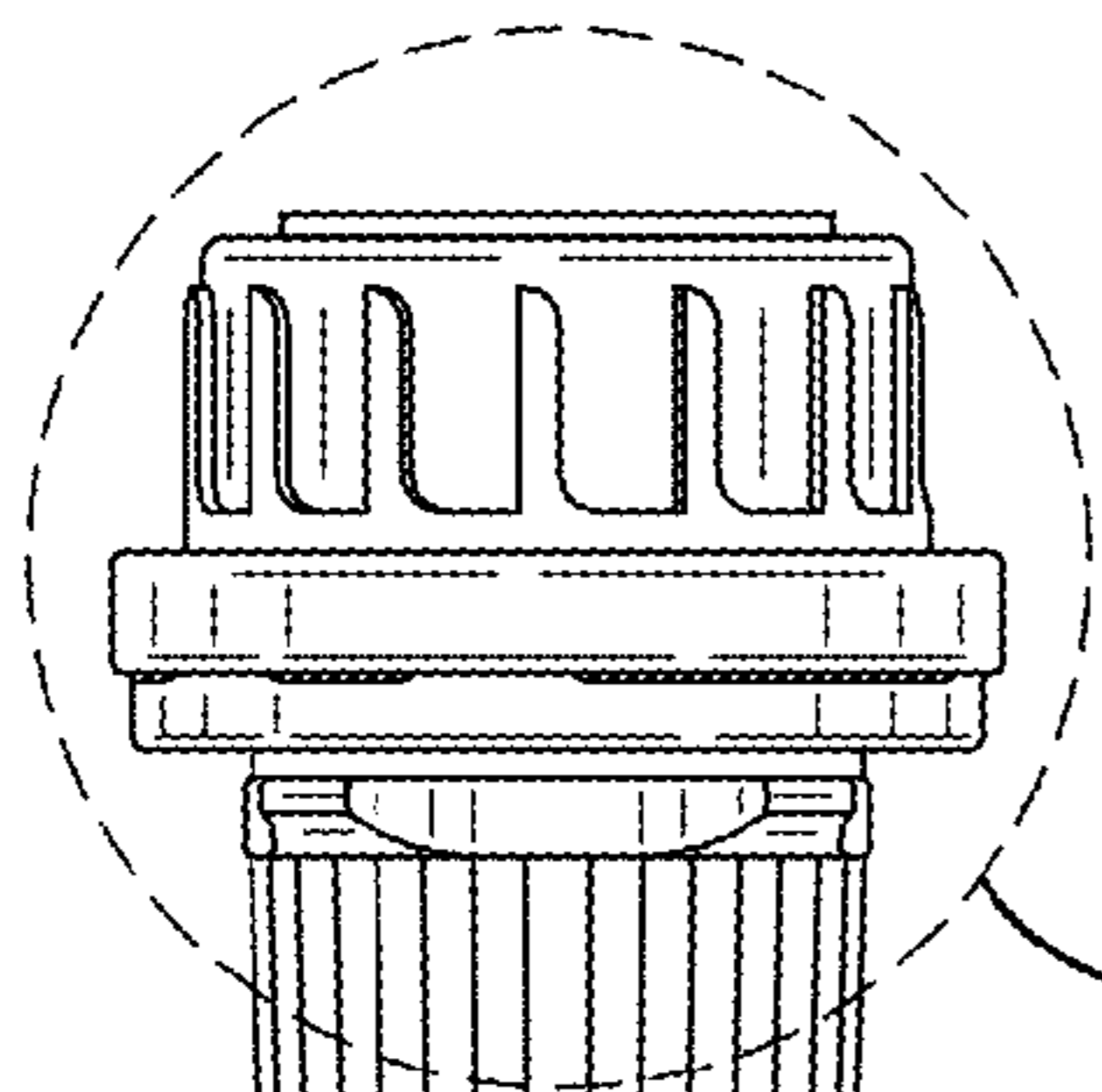
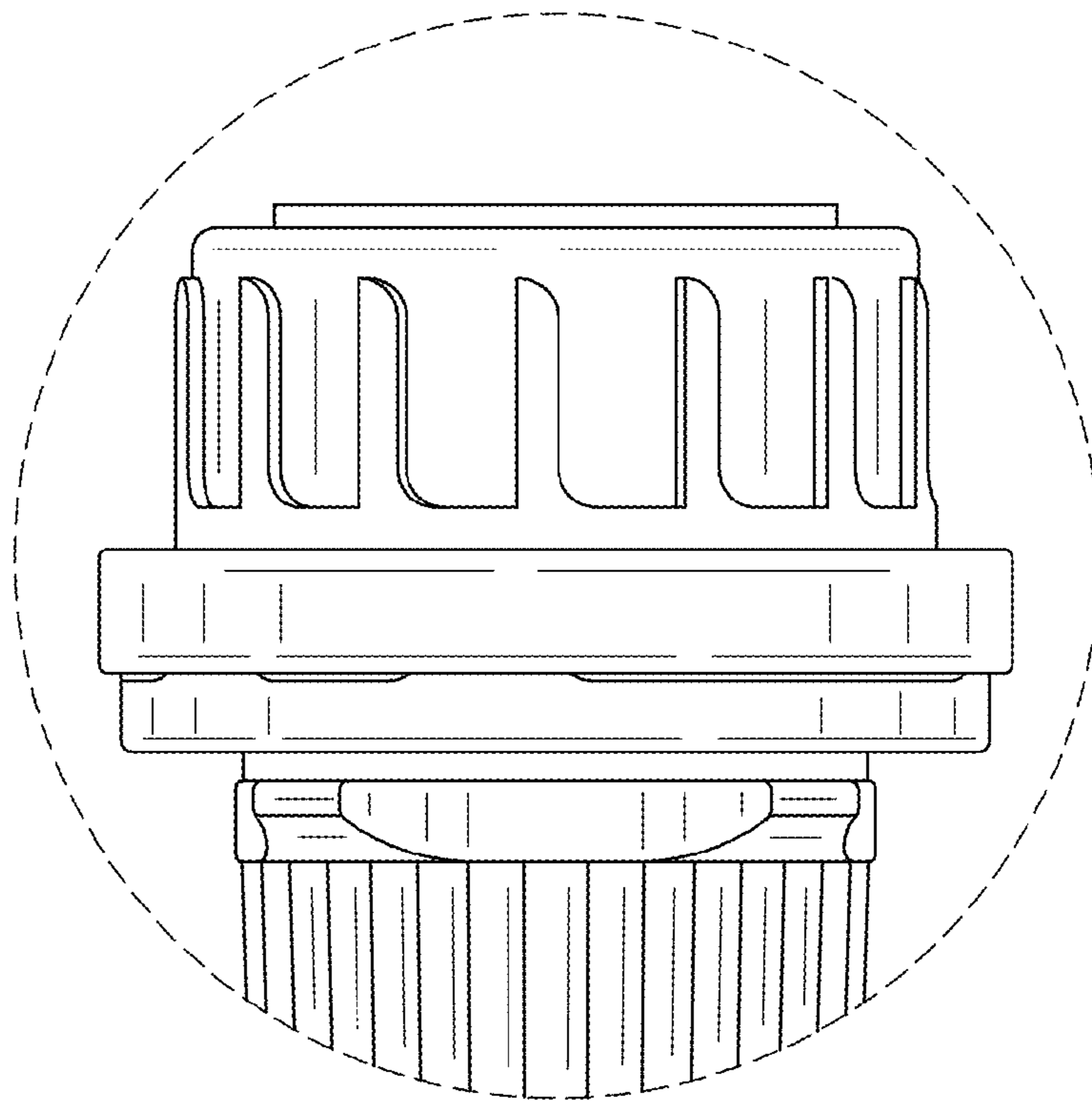


FIG. 12

13

FIG. 13



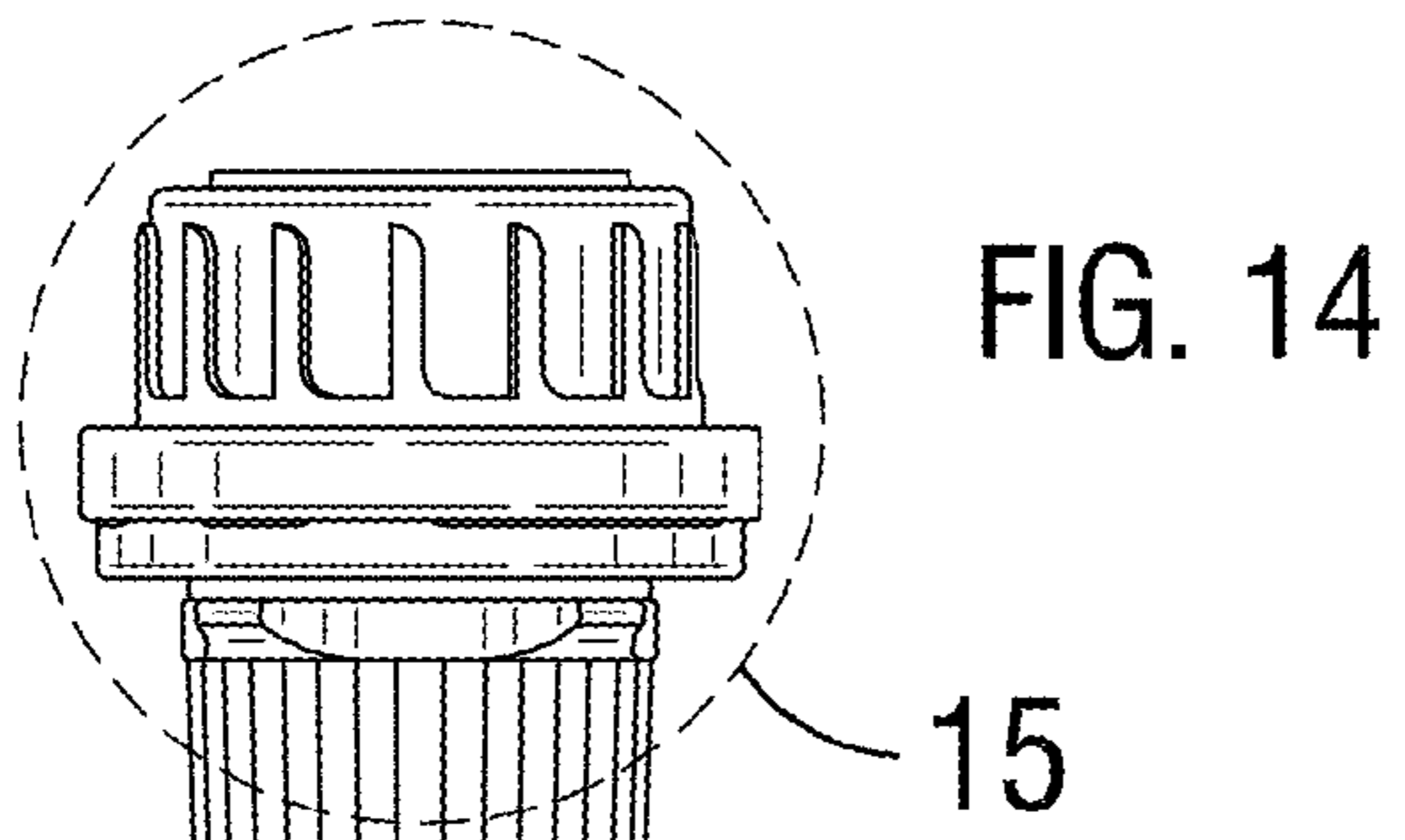
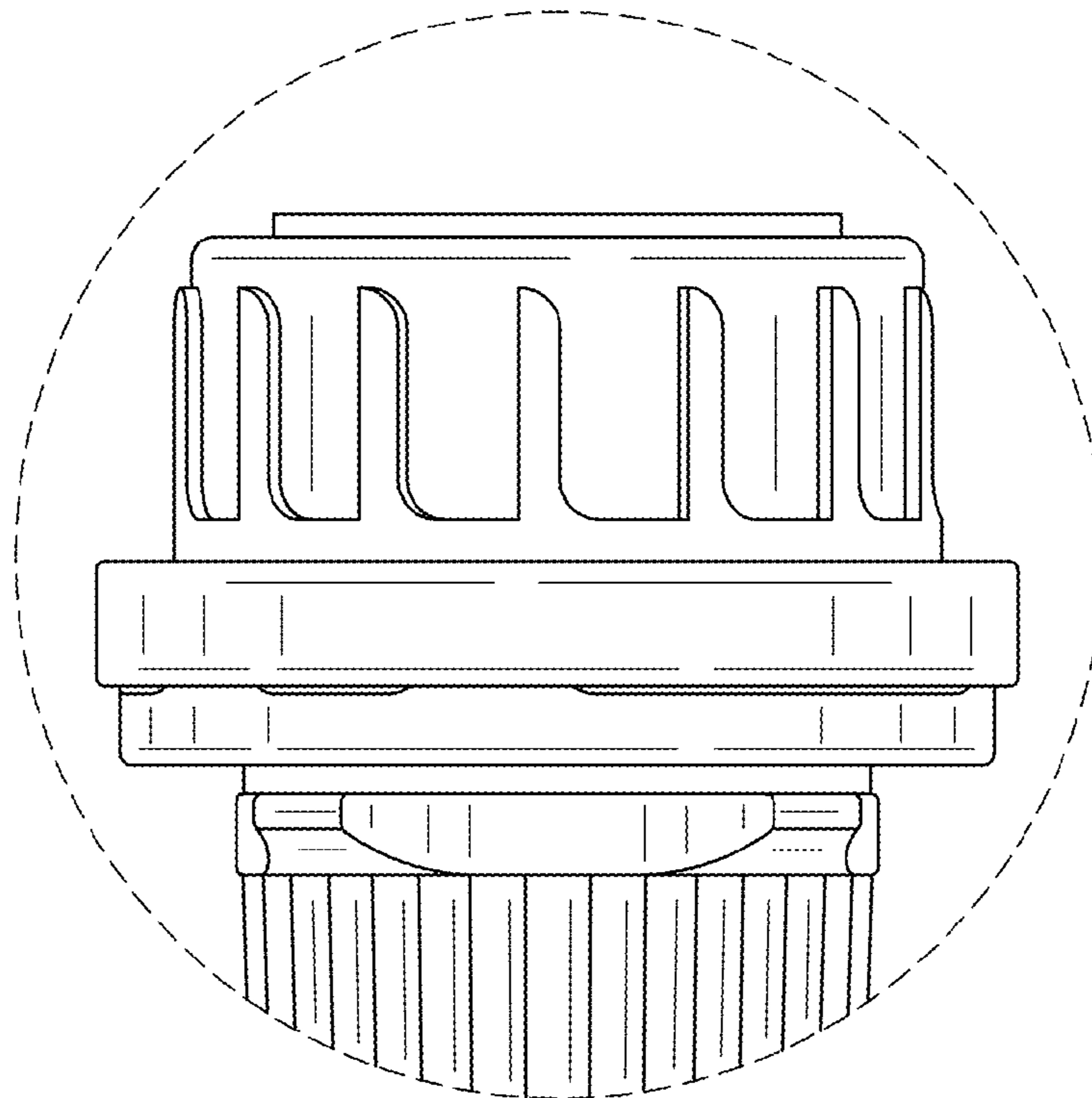


FIG. 15



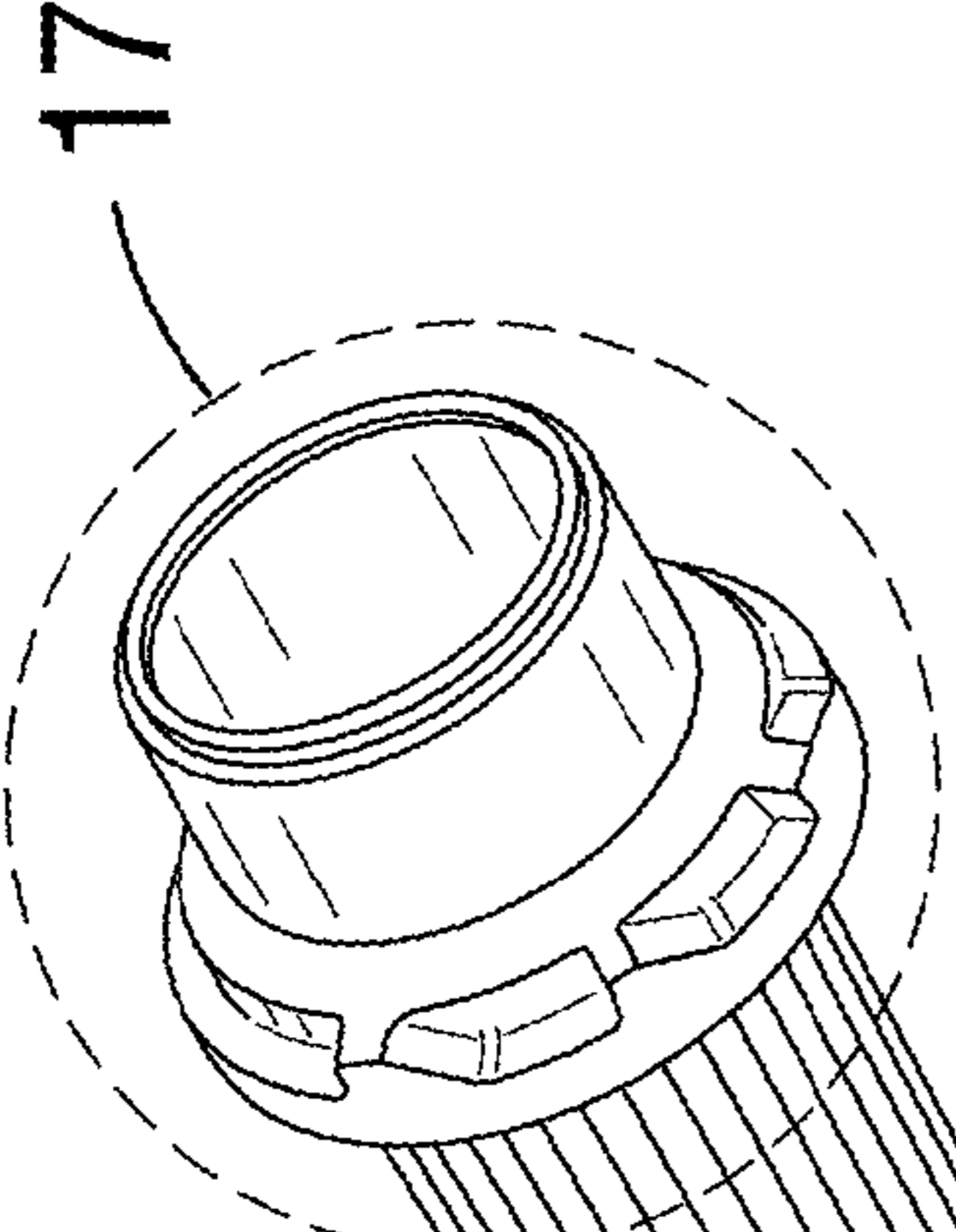


FIG. 16

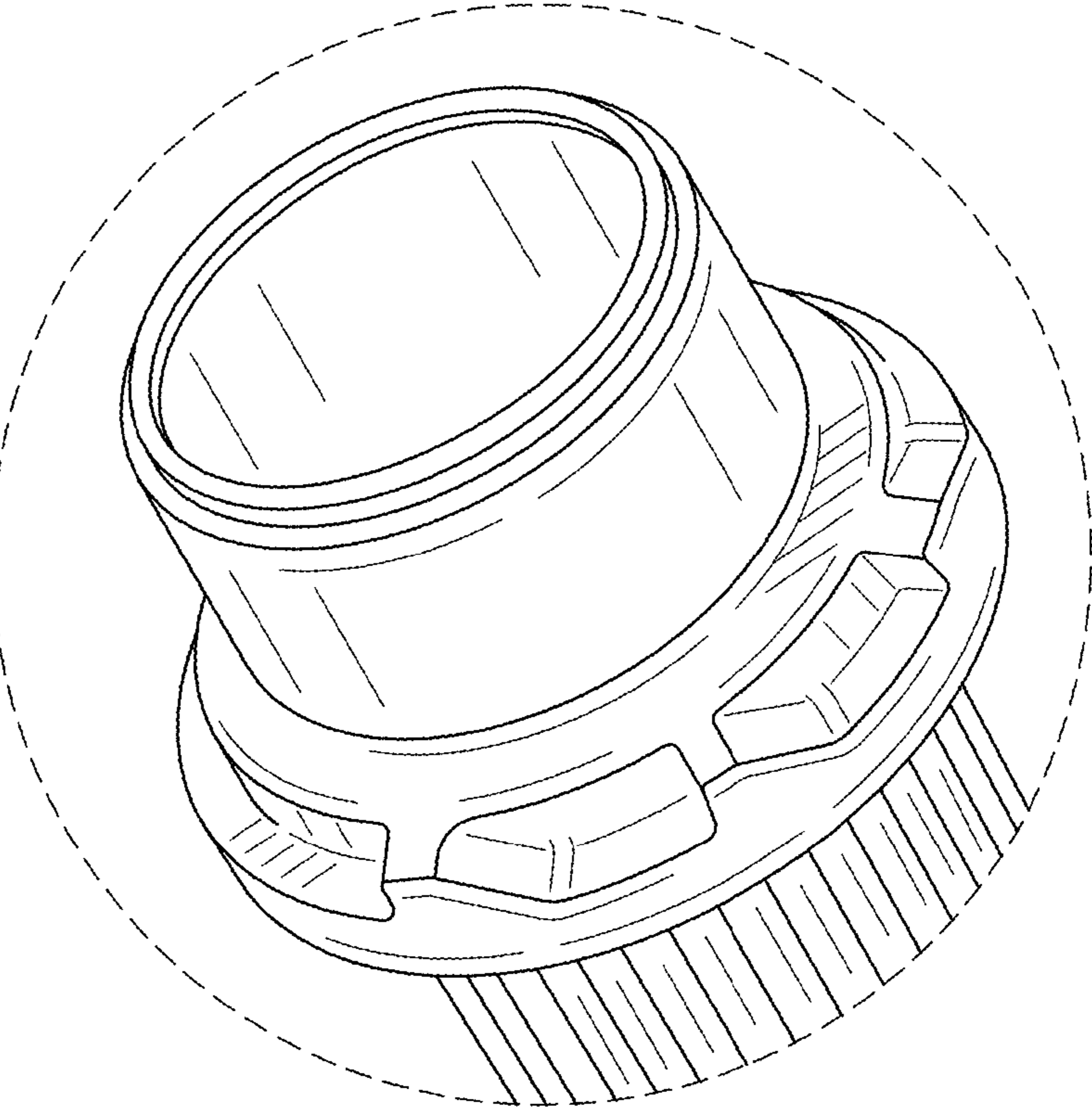


FIG. 17

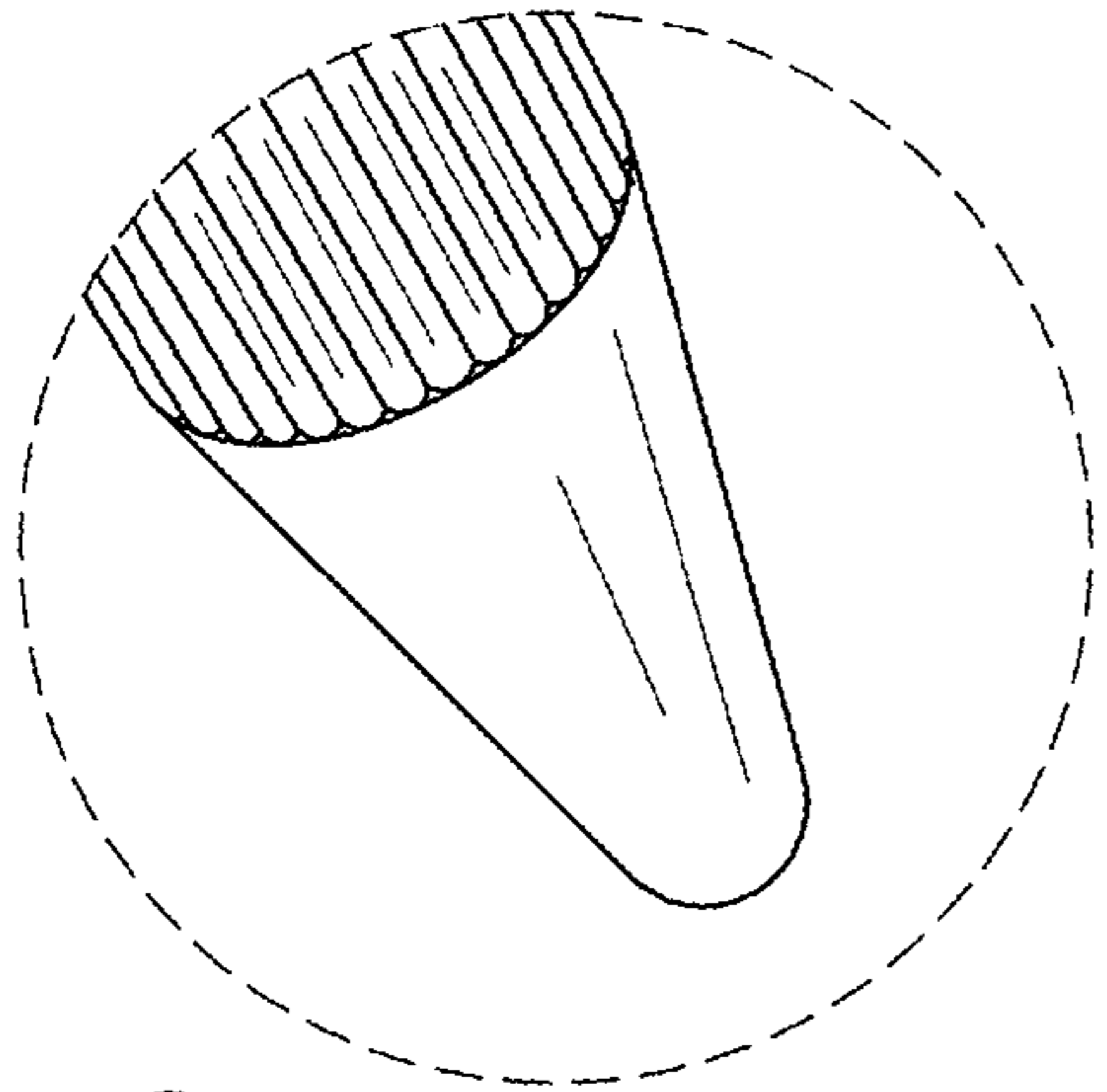
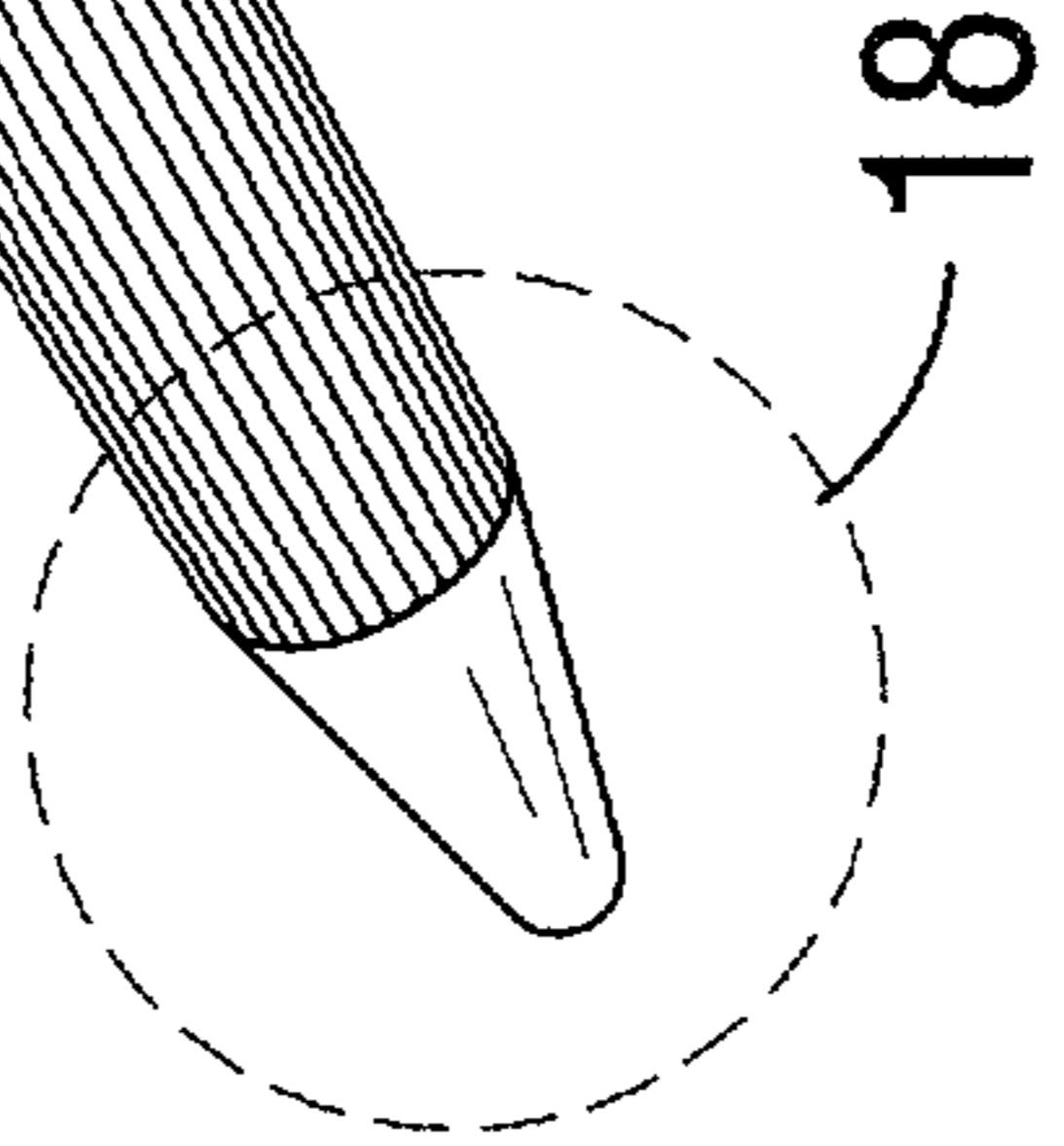


FIG. 18



18

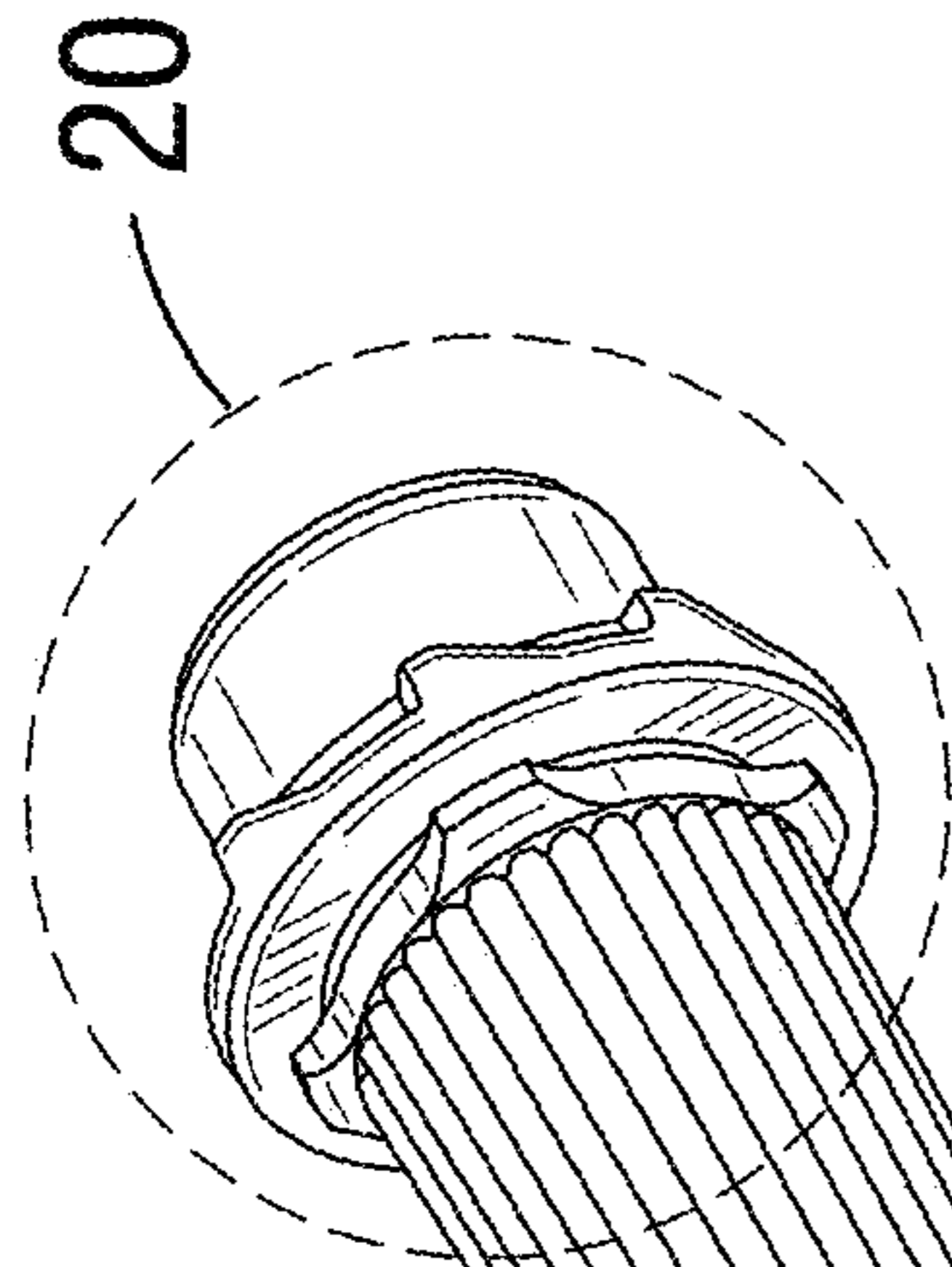


FIG. 19

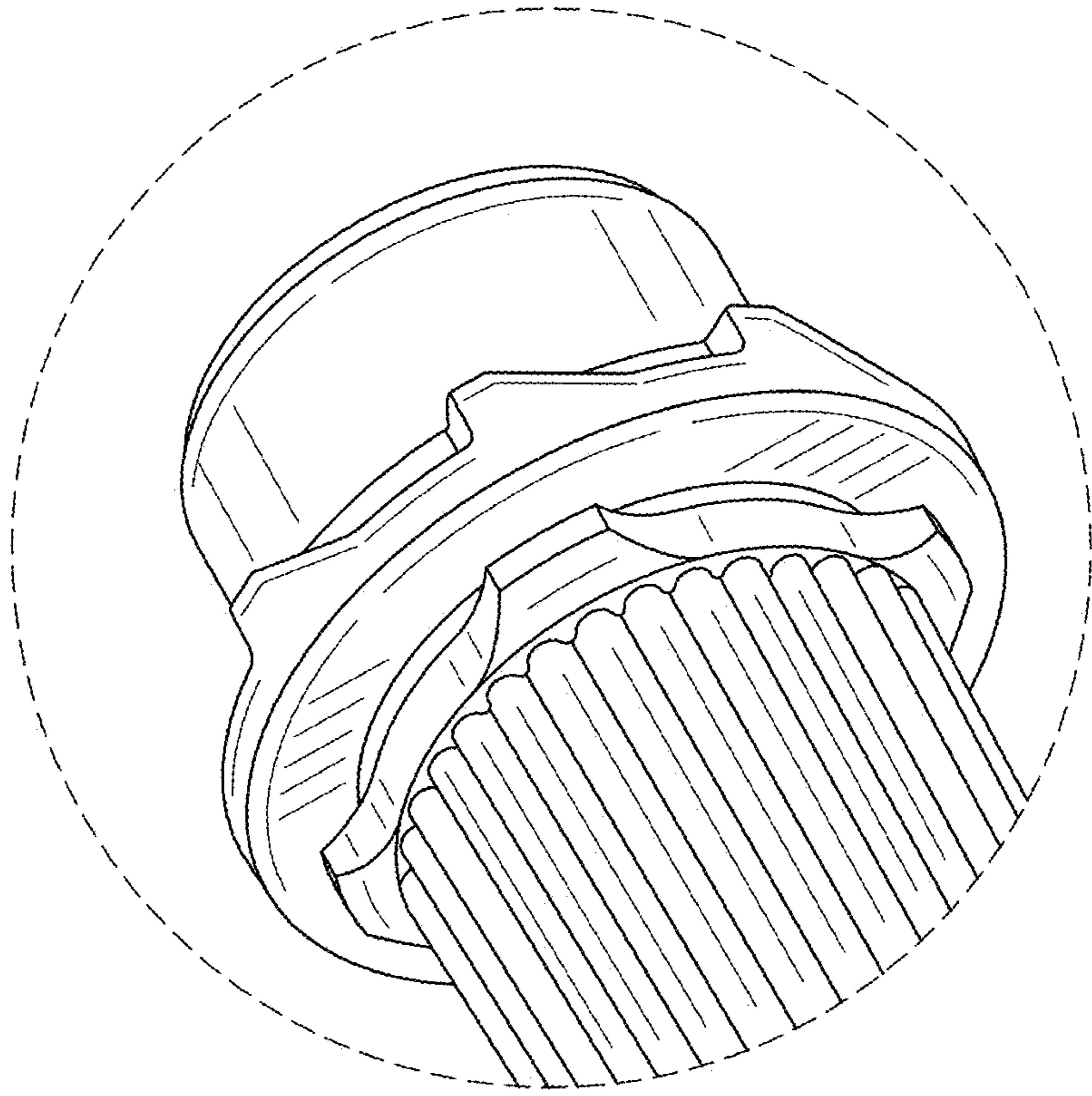


FIG. 20

FIG. 21

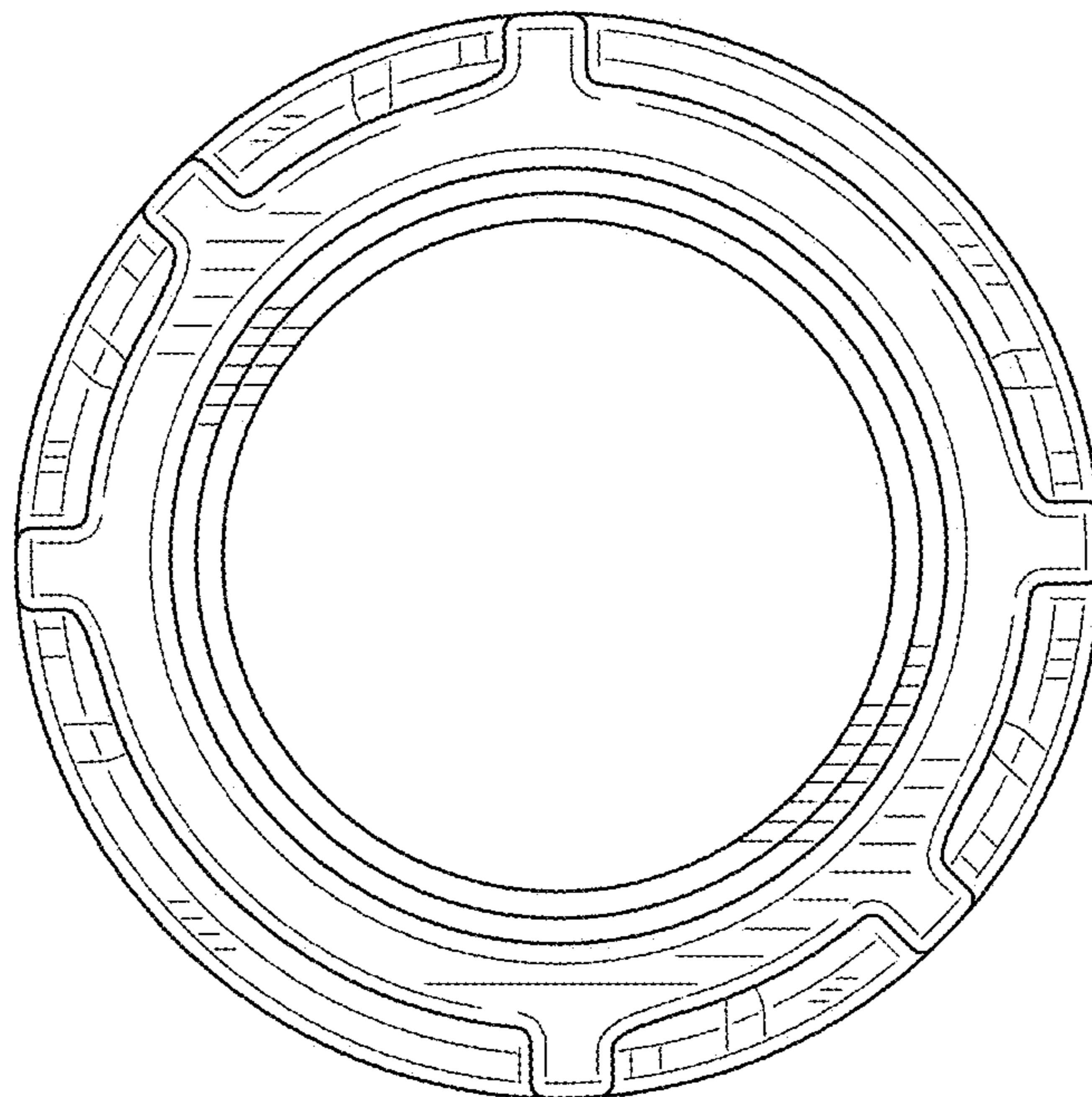
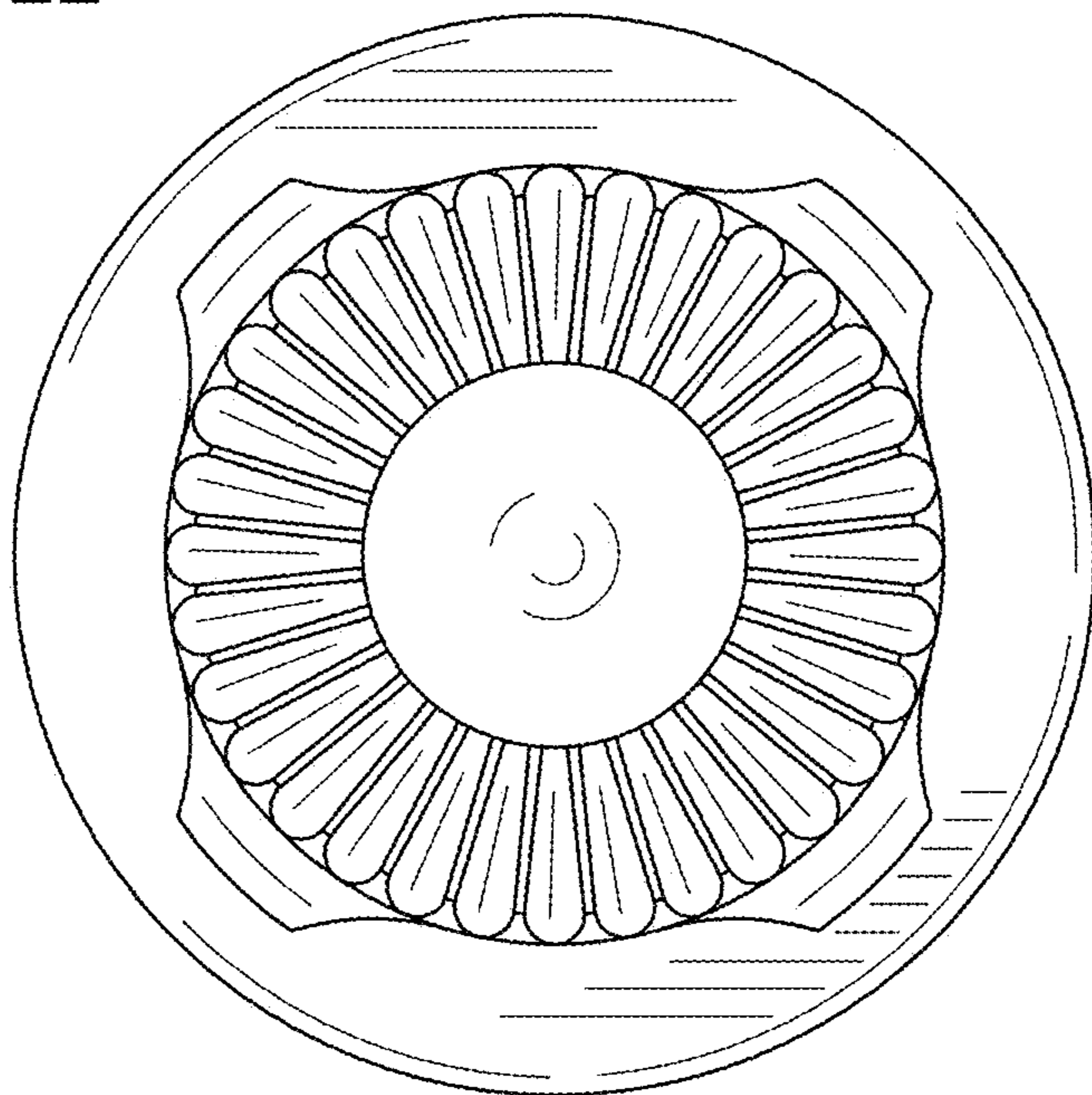


FIG. 22



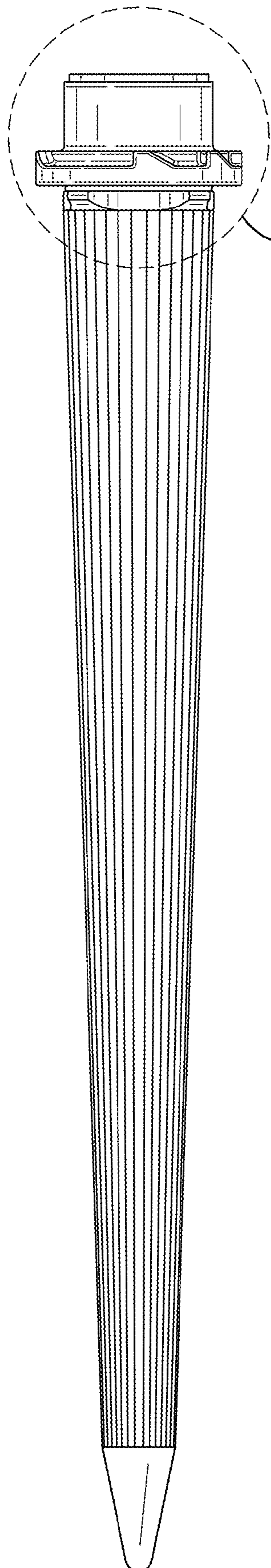
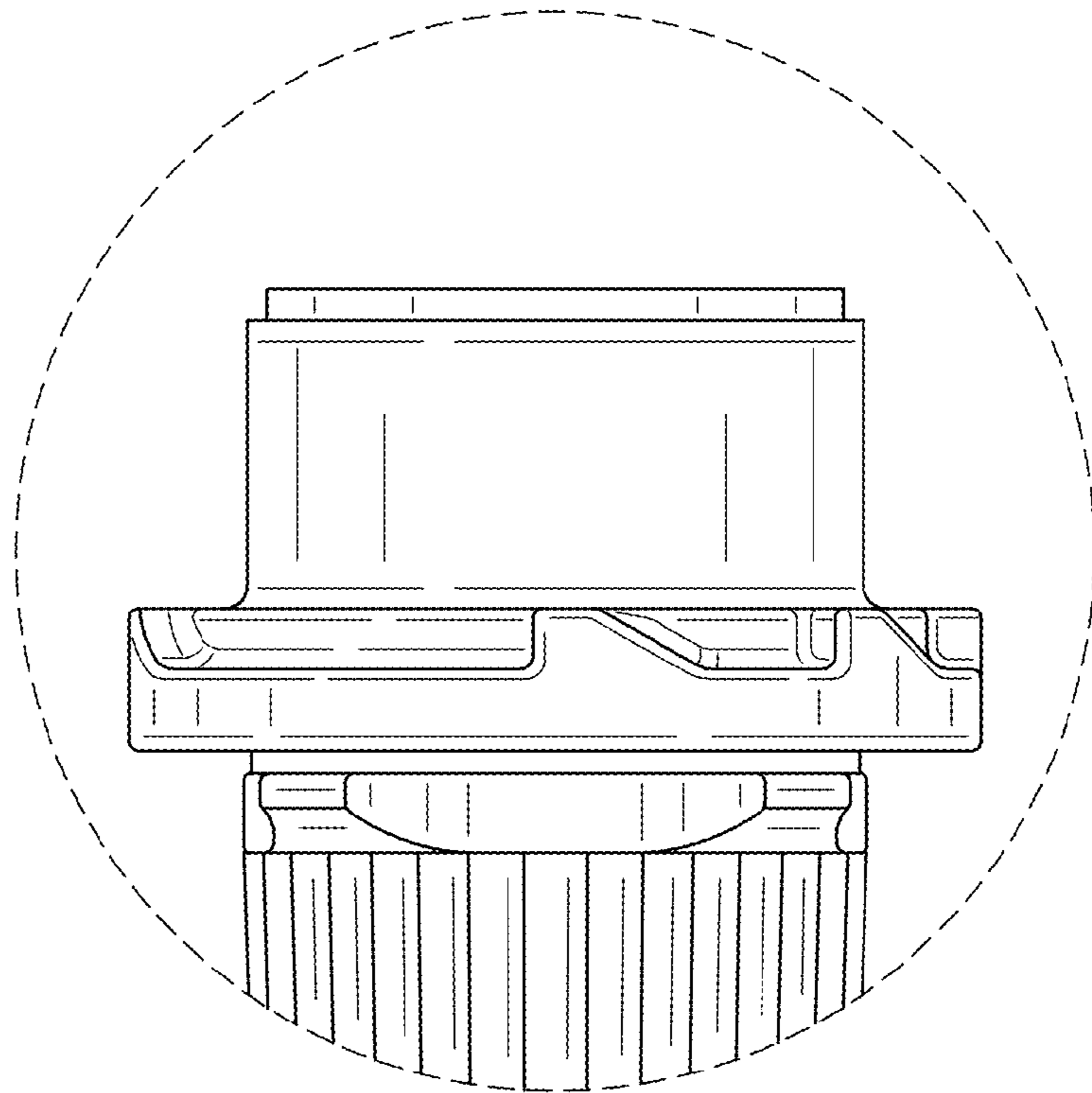


FIG. 23

24

FIG. 24



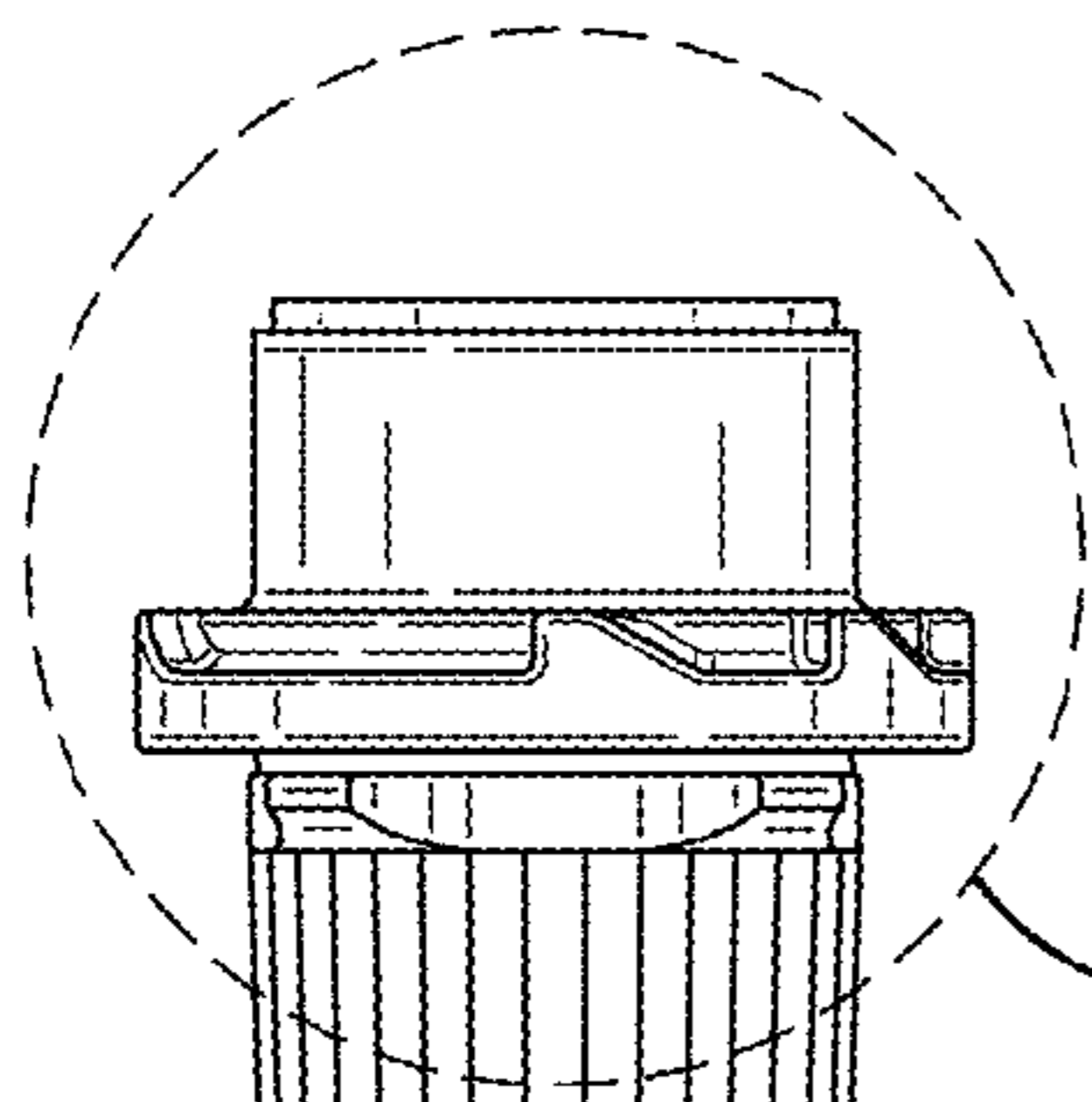
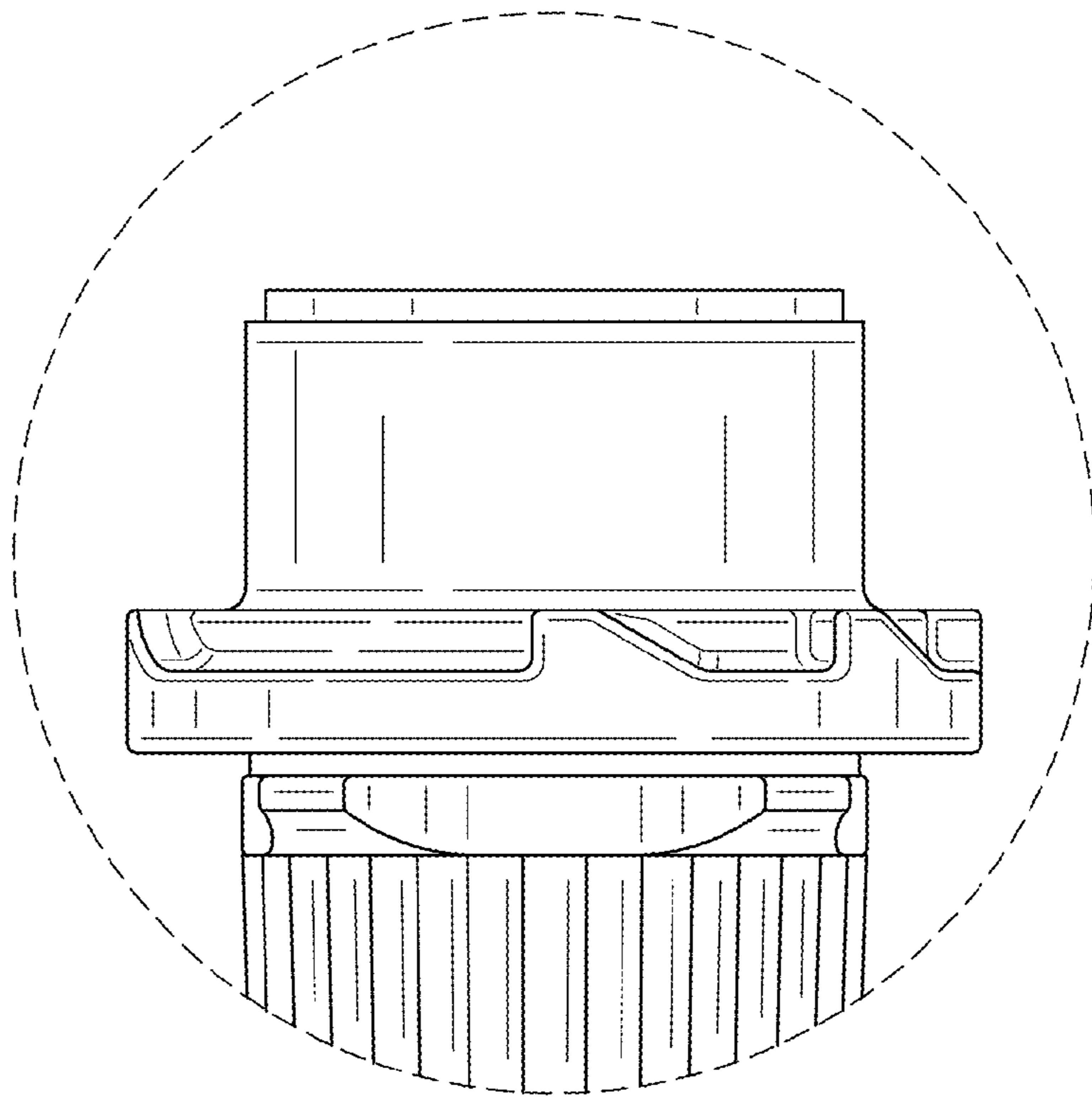


FIG. 25

26

FIG. 26



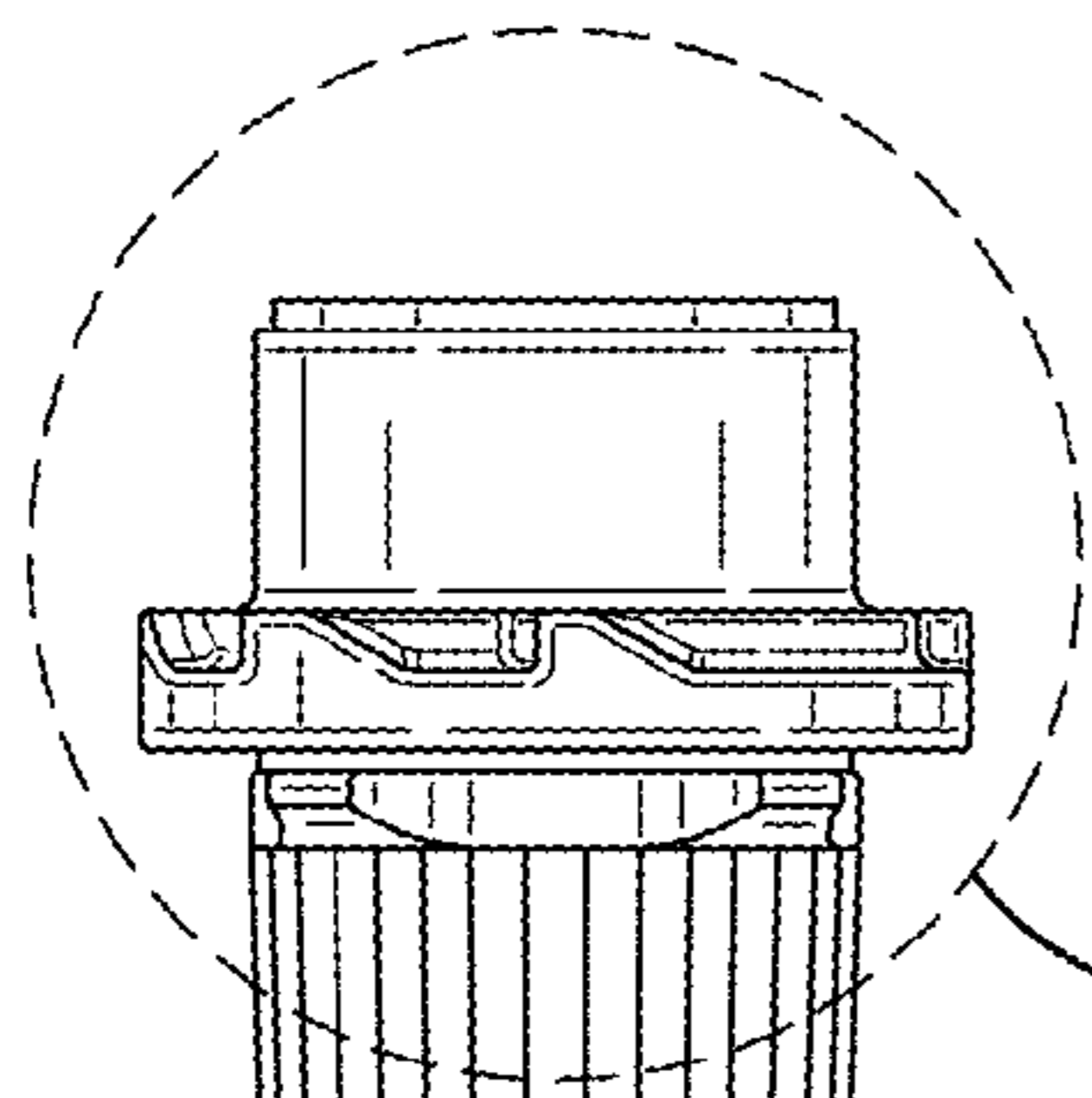
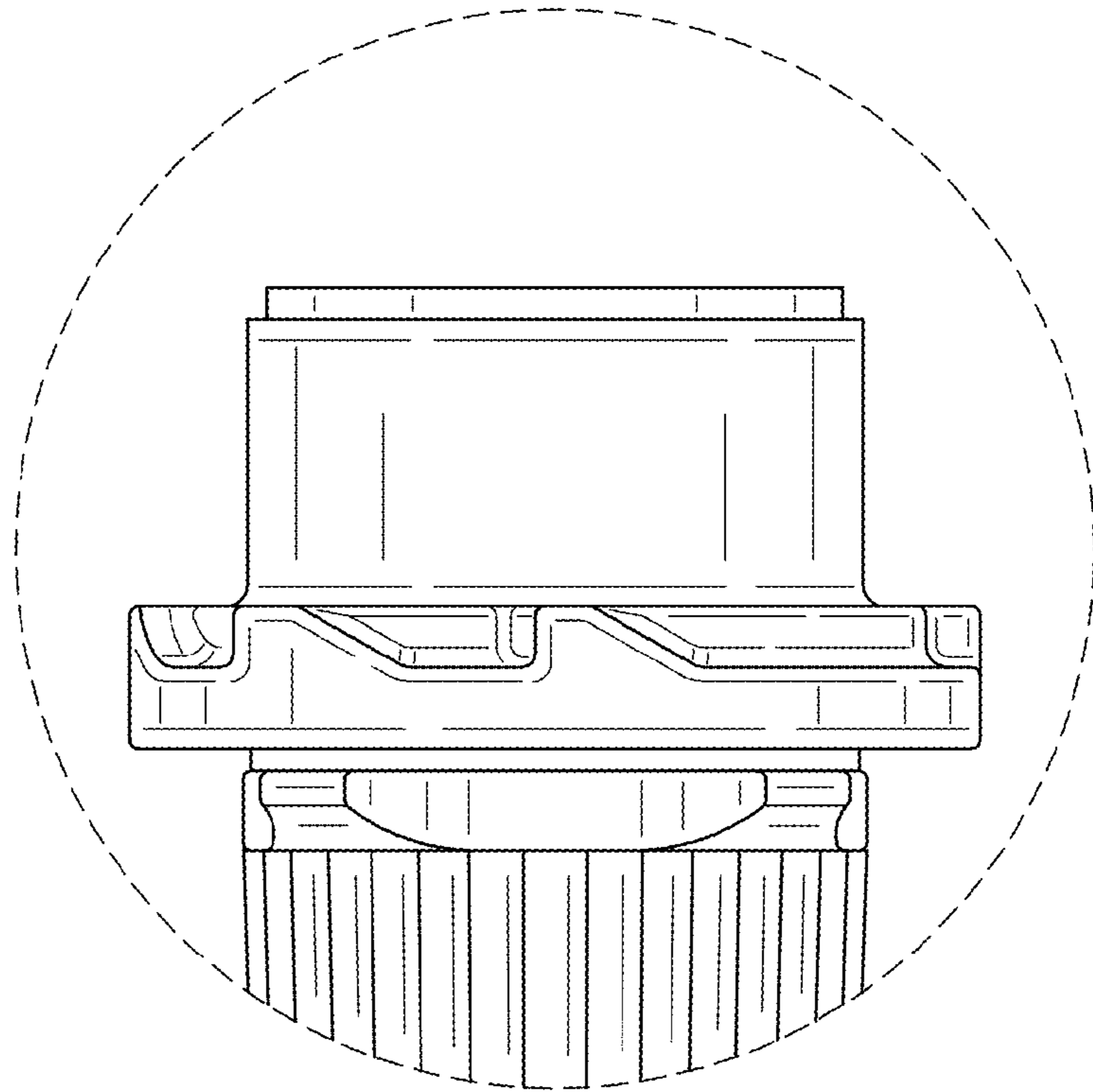


FIG. 27

28

FIG. 28



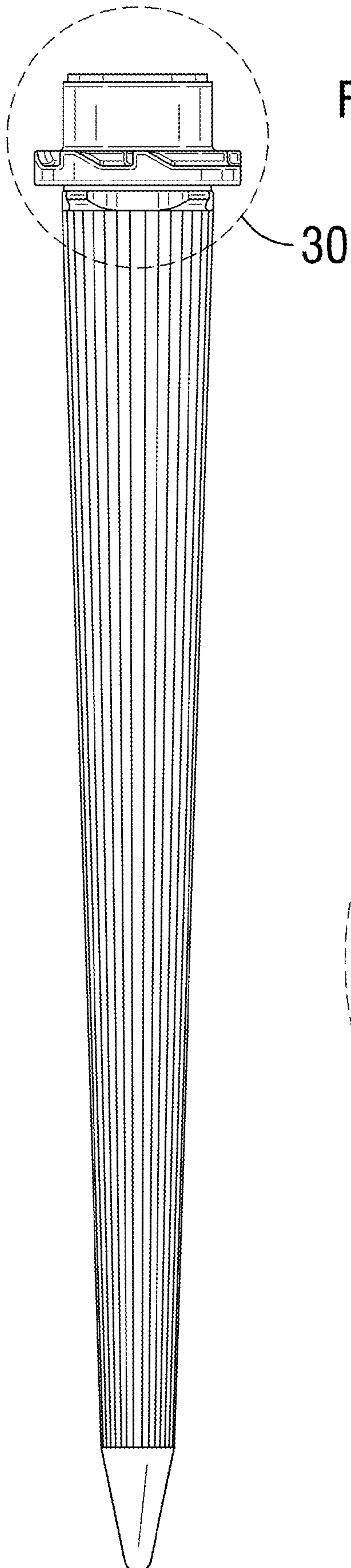


FIG. 30

