



US00D900275S

(12) **United States Design Patent**
Furbush, Jr.

(10) **Patent No.:** **US D900,275 S**
(45) **Date of Patent:** **** Oct. 27, 2020**

- (54) **ORGANIZATIONAL APPARATUS**
- (71) Applicant: **Norman C. Furbush, Jr.**, Elm City, NC (US)
- (72) Inventor: **Norman C. Furbush, Jr.**, Elm City, NC (US)
- (**) Term: **15 Years**
- (21) Appl. No.: **29/721,653**
- (22) Filed: **Jan. 22, 2020**

4,004,328 A	1/1977	Bohn et al.
4,234,998 A	11/1980	McMickle
5,781,972 A	7/1998	Steed
D430,261 S	8/2000	Yong-Set
D536,763 S	2/2007	Friedrichs
D659,385 S	5/2012	Campbell
D760,343 S	6/2016	Kim
D839,382 S	1/2019	Furbush, Jr.
D873,954 S	1/2020	Furbush, Jr.

Primary Examiner — Catherine R Oliver-Garcia
(74) *Attorney, Agent, or Firm* — Scott J. Hawranek; Aspire IP

Related U.S. Application Data

- (62) Division of application No. 29/677,771, filed on Jan. 23, 2019, now Pat. No. Des. 873,954, which is a division of application No. 29/598,646, filed on Mar. 28, 2017, now Pat. No. Des. 839,382.

- (51) **LOC (12) Cl.** **22-05**
- (52) **U.S. Cl.**
USPC **D22/143**
- (58) **Field of Classification Search**
USPC D22/134–150; 24/131 C, 373, 601.3, 24/601.8
CPC A01K 91/04; A01K 91/053; F16B 2/248
See application file for complete search history.

- (56) **References Cited**
U.S. PATENT DOCUMENTS

3,122,803 A	3/1964	Boggess et al.
3,277,549 A	10/1966	Bradshaw

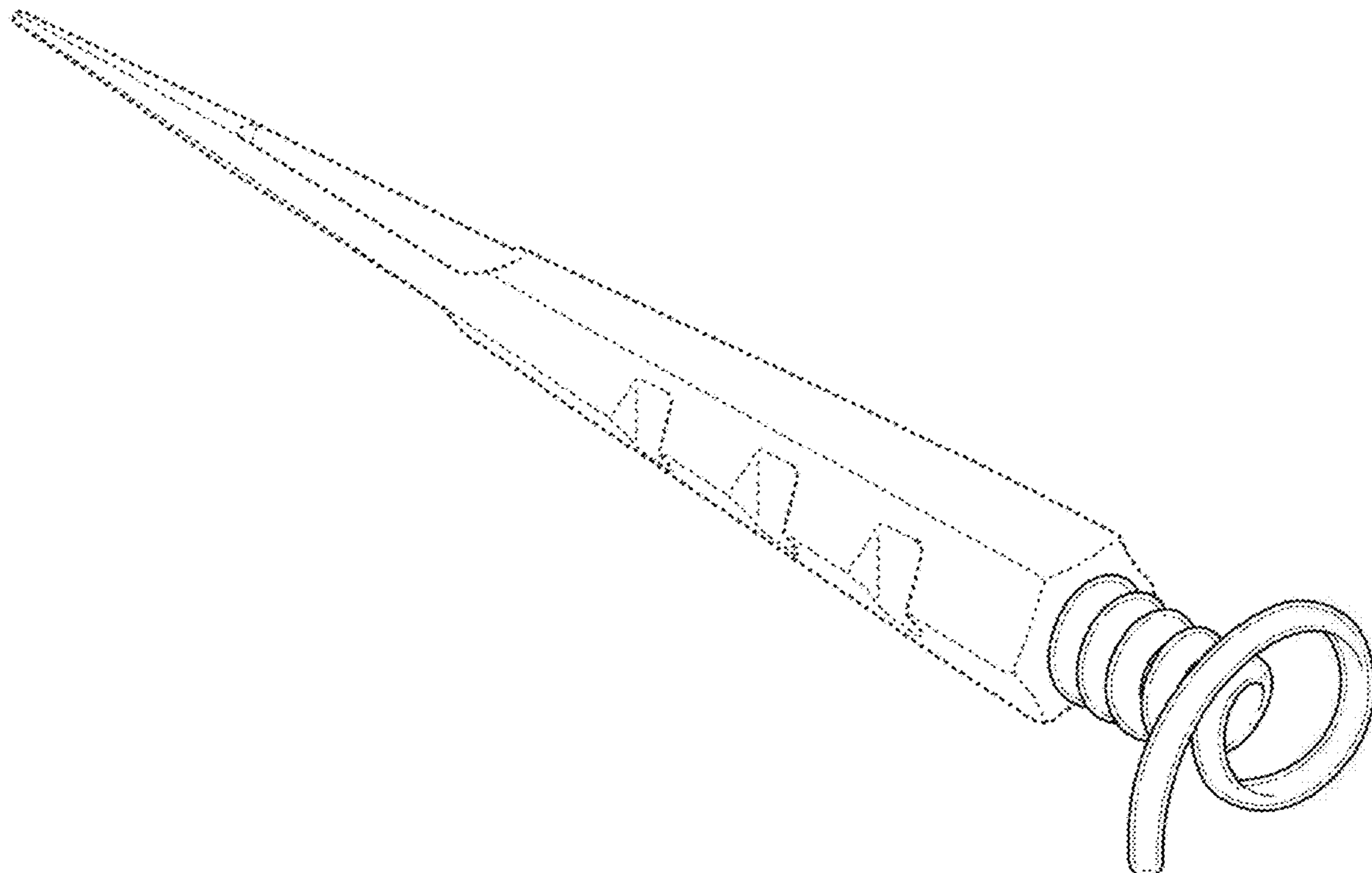
(57) **CLAIM**

I claim the ornamental design for an organizational apparatus, substantially as shown and described.

DESCRIPTION

FIG. 1 is a perspective view of an organizational apparatus in accordance with the present design; FIG. 2 is a right side elevation view thereof; FIG. 3 is a top plan view thereof; FIG. 4 is a left side elevation view thereof; FIG. 5 is a bottom plan view thereof; FIG. 6 is a front elevation view thereof; and, FIG. 7 is a rear elevation view thereof. The features shown in broken or dashed lines in the drawings are included for the purpose of illustrating use and environment and form no part of the claimed design.

1 Claim, 4 Drawing Sheets



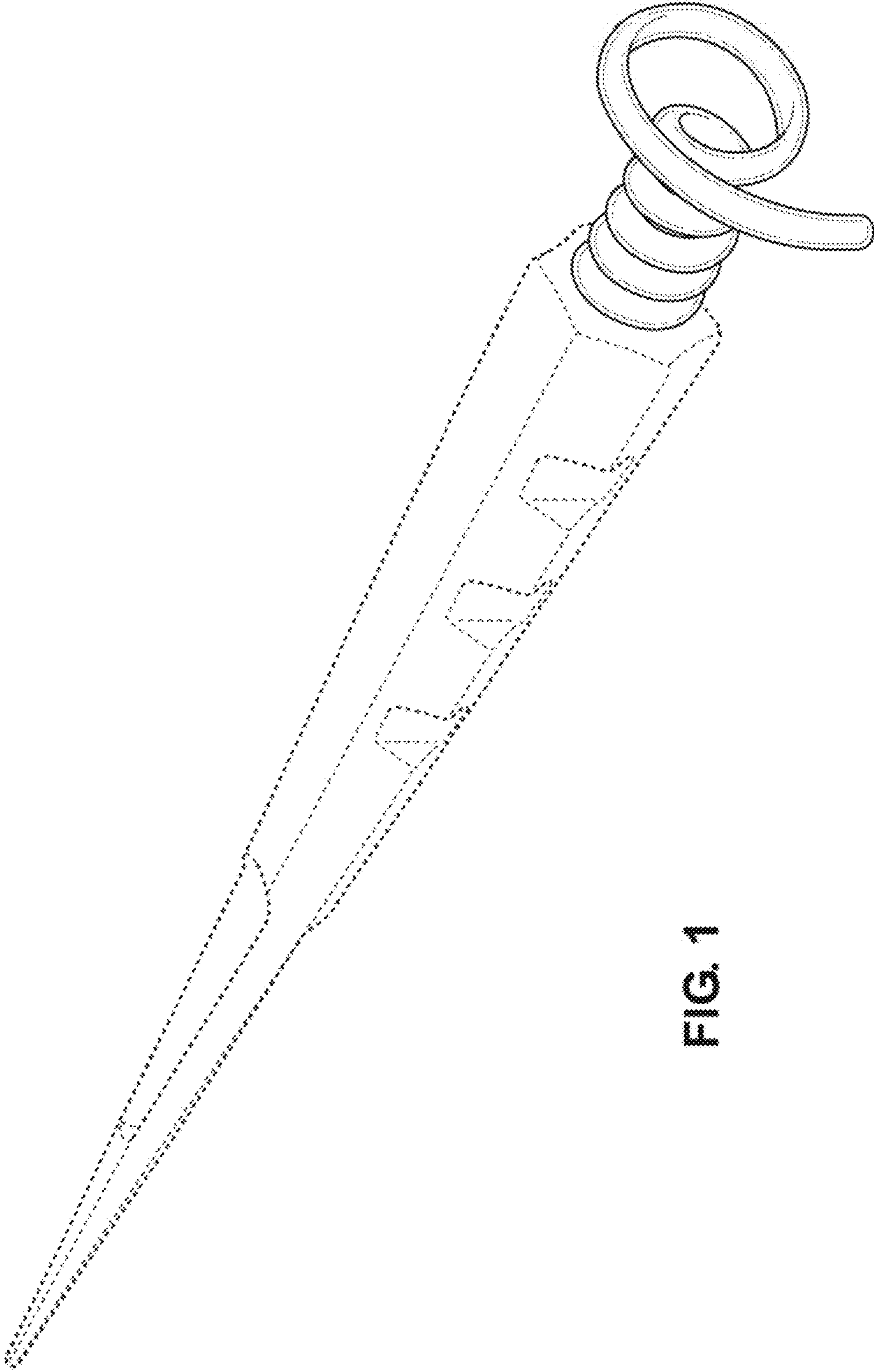


FIG. 1

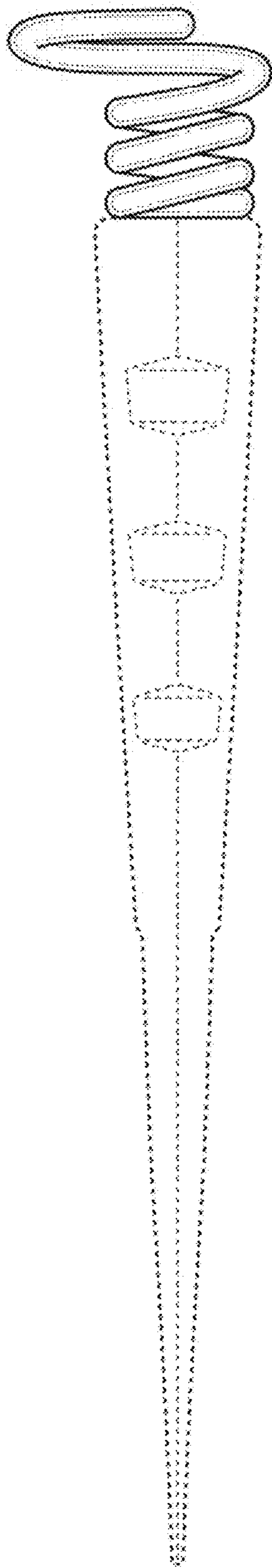


FIG. 2

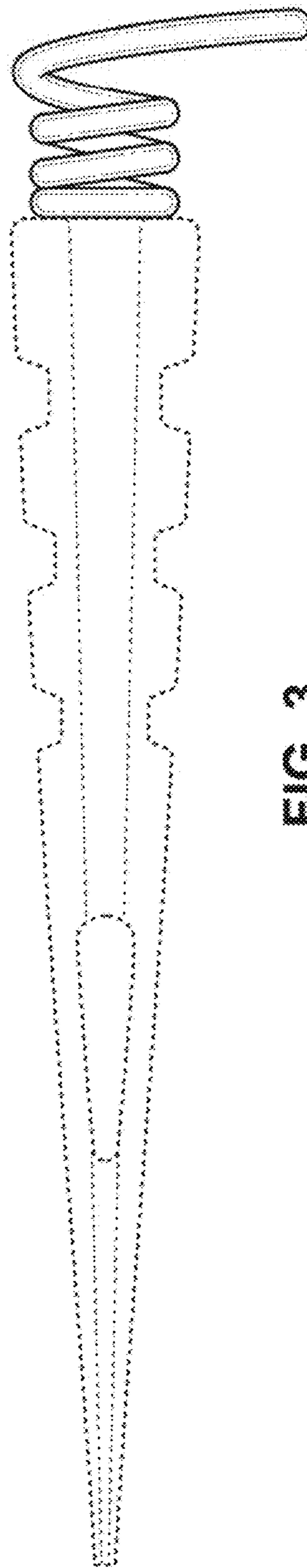


FIG. 3

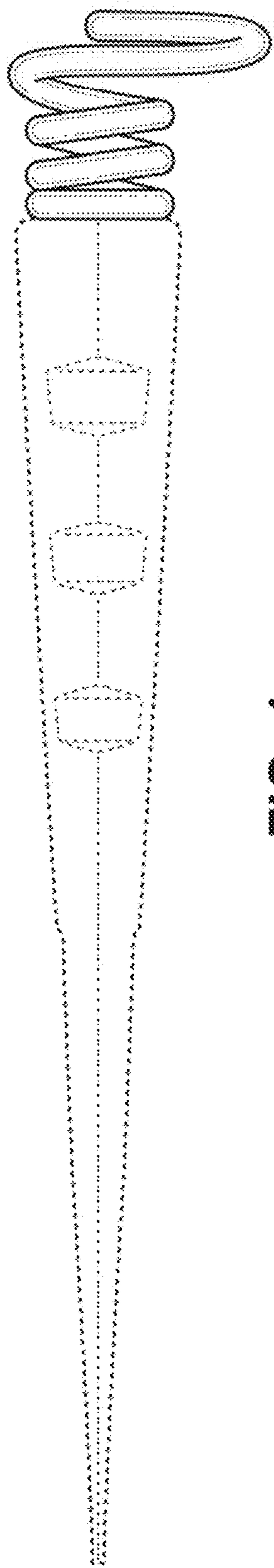


FIG. 4

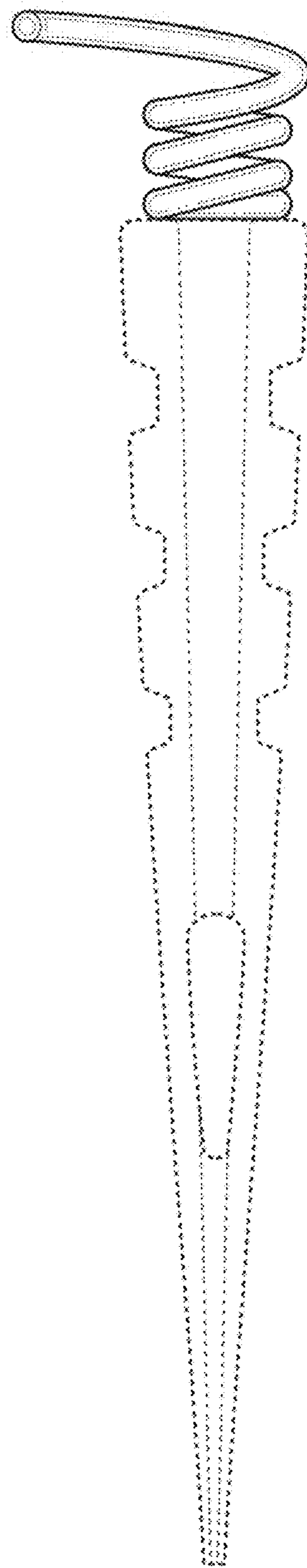


FIG. 5

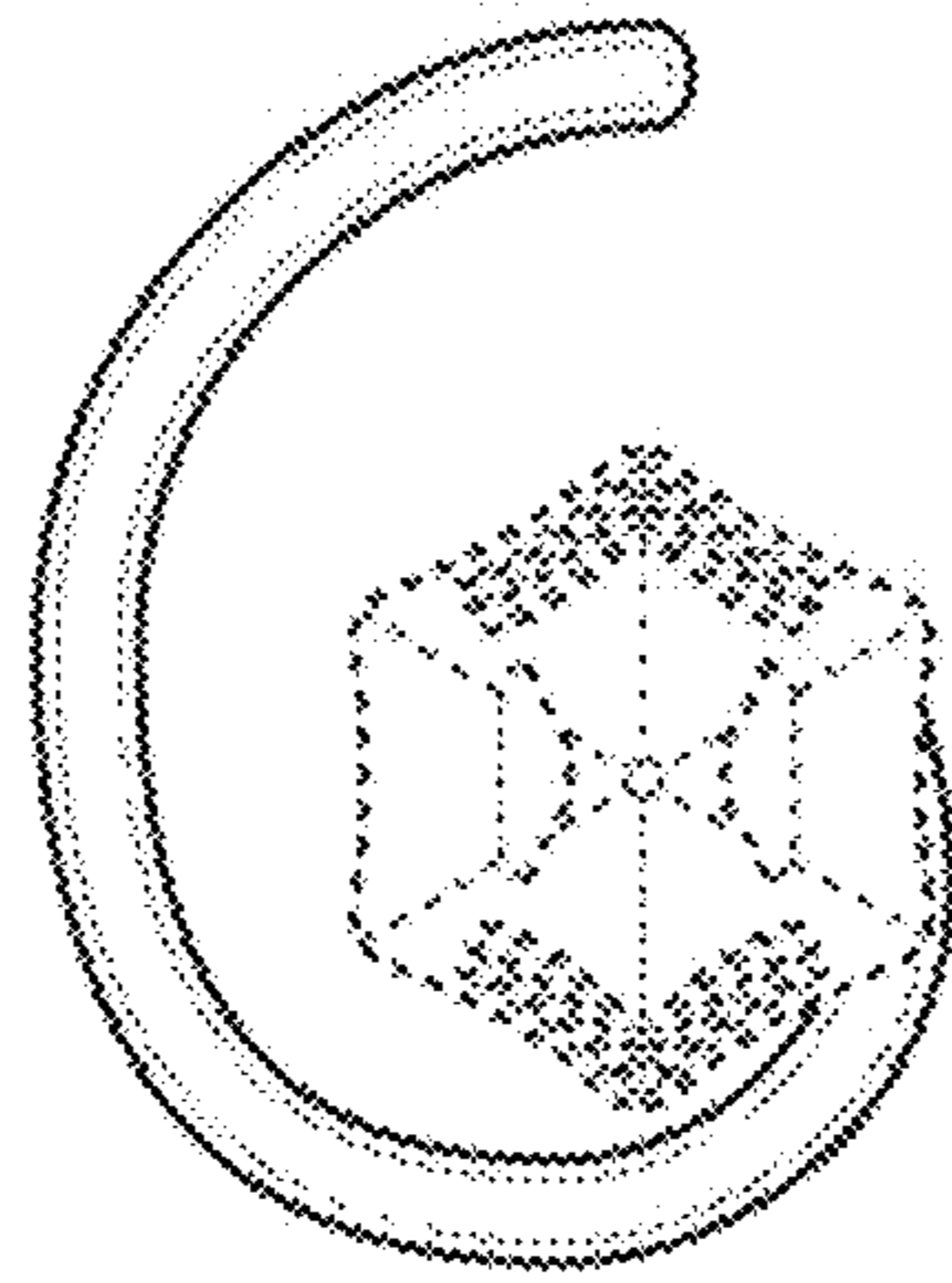


FIG. 6

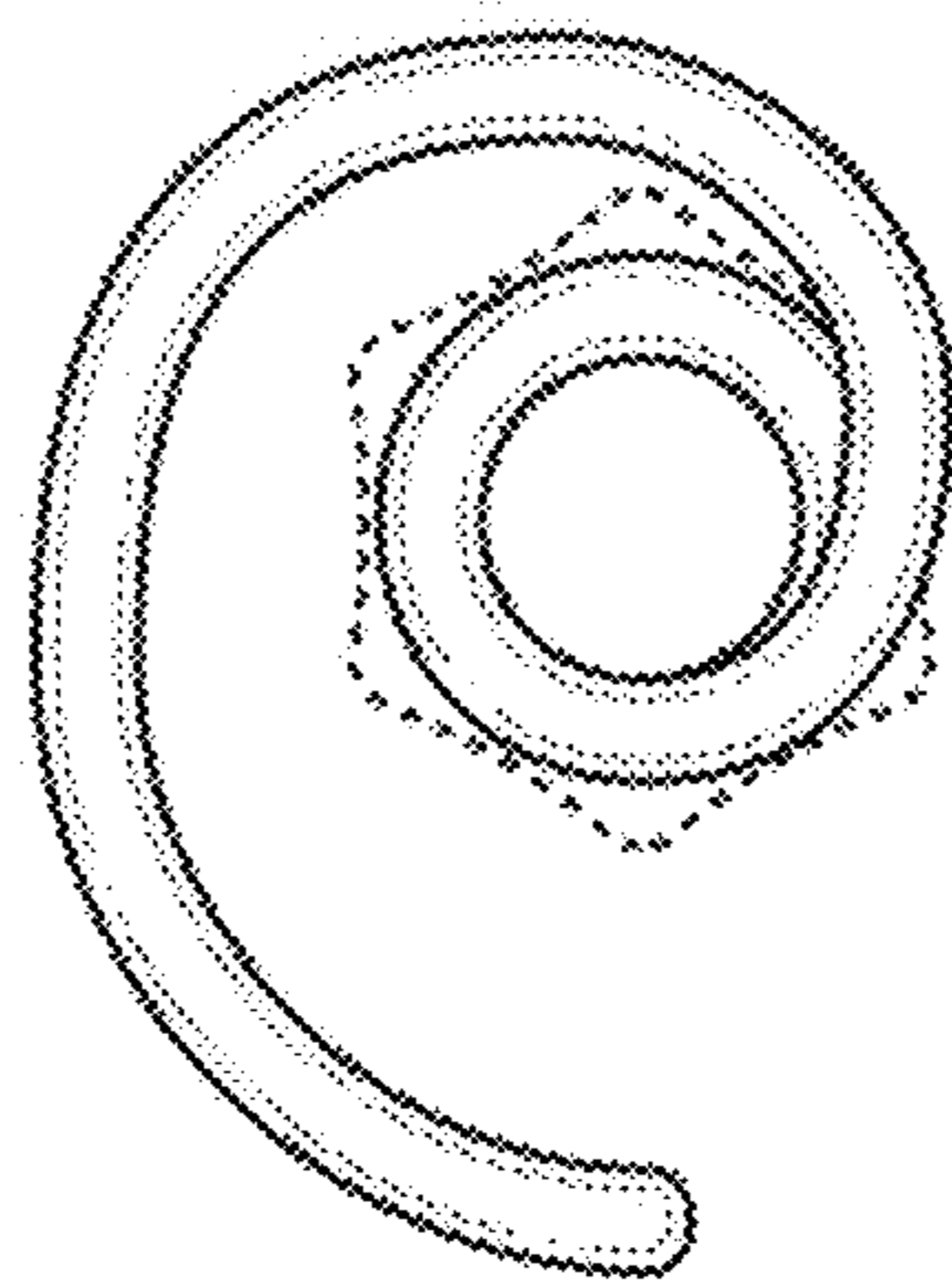


FIG. 7