



US00D900274S

(12) **United States Design Patent**
Kuo-Hsuan

(10) **Patent No.:** **US D900,274 S**

(45) **Date of Patent:** **** *Oct. 27, 2020**

(54) **CLUTCH REEL SEAT**

(71) Applicant: **GLV International LLC**, Bellevue, WA (US)

(72) Inventor: **Huang Kuo-Hsuan**, Taichung (TW)

(*) Notice: This patent is subject to a terminal disclaimer.

(**) Term: **15 Years**

(21) Appl. No.: **29/671,008**

(22) Filed: **Nov. 21, 2018**

(51) **LOC (12) Cl.** **22-05**

(52) **U.S. Cl.**
USPC **D22/142**

(58) **Field of Classification Search**
USPC D22/137-142; 43/22-23, 25-26, 18.1 R
CPC A01K 87/06; A01K 87/08; A01K 91/00;
A01K 91/18; A01K 97/06
See application file for complete search history.

(56) **References Cited**

U.S. PATENT DOCUMENTS

- 2,484,223 A * 10/1949 Henshaw A01K 87/08
43/22
- 2,594,536 A * 4/1952 Beyer A01K 87/08
43/22
- 5,537,773 A * 7/1996 Matsubara A01K 87/08
43/22
- D393,043 S * 3/1998 Grice D22/142

- D418,194 S * 12/1999 Oyama D22/142
- 6,378,238 B1 * 4/2002 Lu A01K 87/06
43/22
- D593,639 S * 6/2009 Akiba D22/142
- D607,533 S * 1/2010 Ezuka D22/142
- D668,737 S * 10/2012 Ito D22/142
- D757,210 S * 5/2016 Kiyota D22/142
- D767,087 S * 9/2016 Lin D22/142

* cited by examiner

Primary Examiner — Catherine R Oliver-Garcia
(74) *Attorney, Agent, or Firm* — Dean Craine; Marisa Whitaker

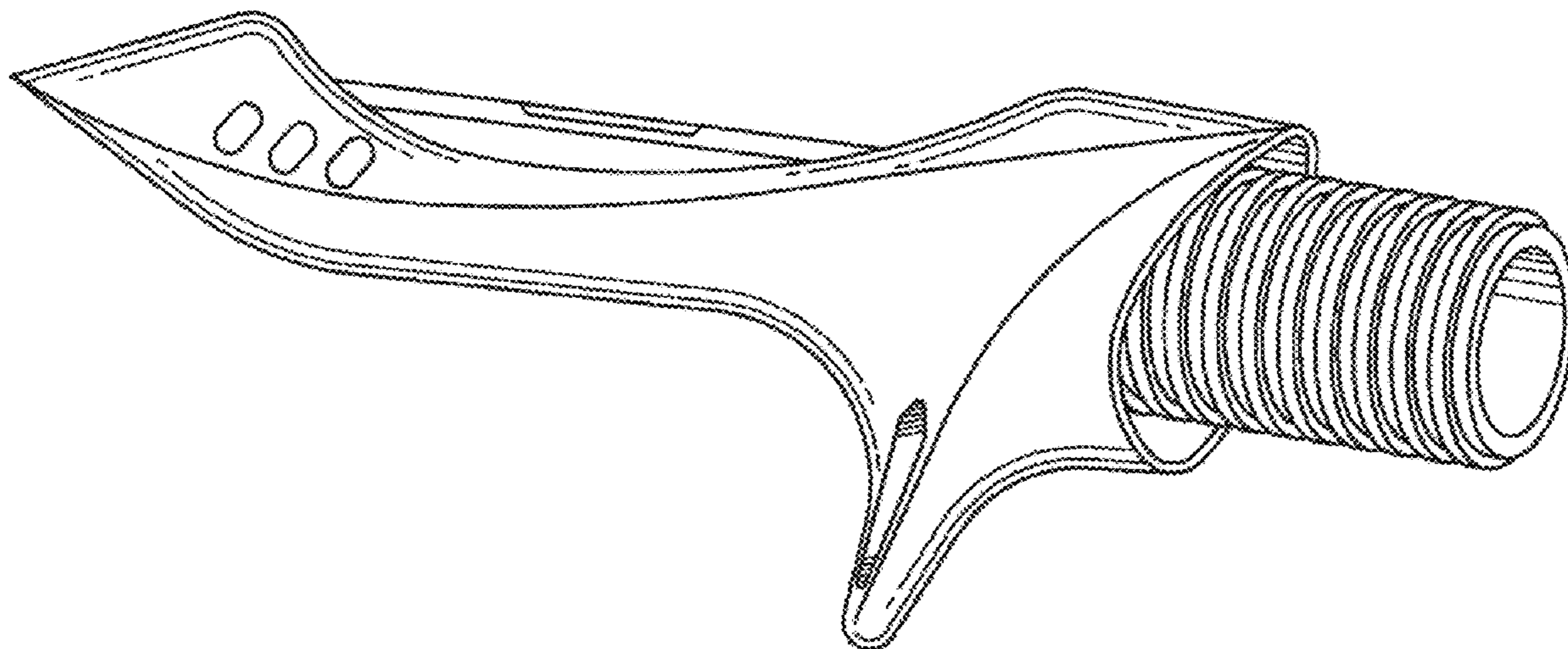
(57) **CLAIM**

The ornamental design for the clutch reel seat, as shown and described.

DESCRIPTION

FIG. 1 is a top perspective view of a clutch reel seat showing my new design.
FIG. 2 is a top plan view of the invention.
FIG. 3 is a left side elevational view thereof.
FIG. 4 is a right side elevational thereof.
FIG. 5 is a bottom plan view thereof.
FIG. 6 is a front elevational view thereof.
FIG. 7 is a rear elevational thereof; and,
FIG. 8 is a sectional left side elevational view taken along line 8-8 in FIG. 2.

1 Claim, 2 Drawing Sheets



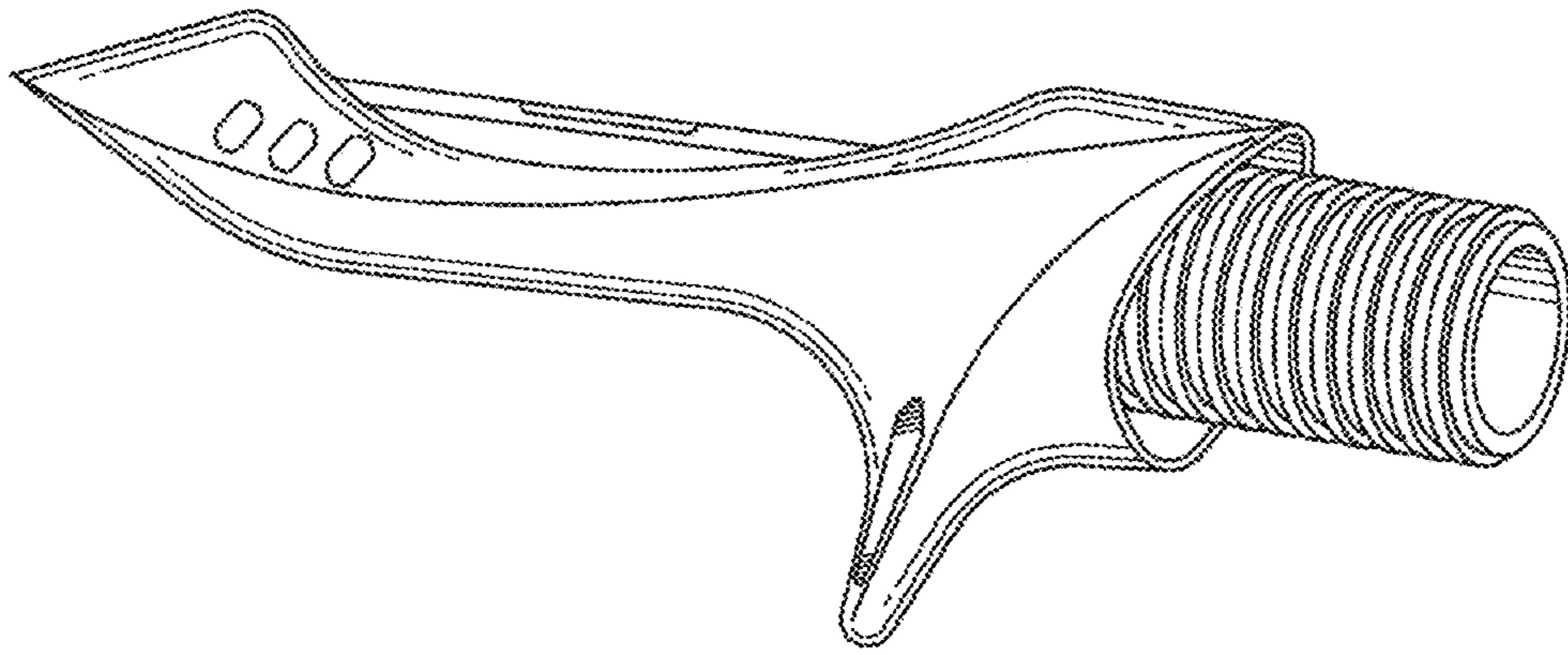


Fig. 1

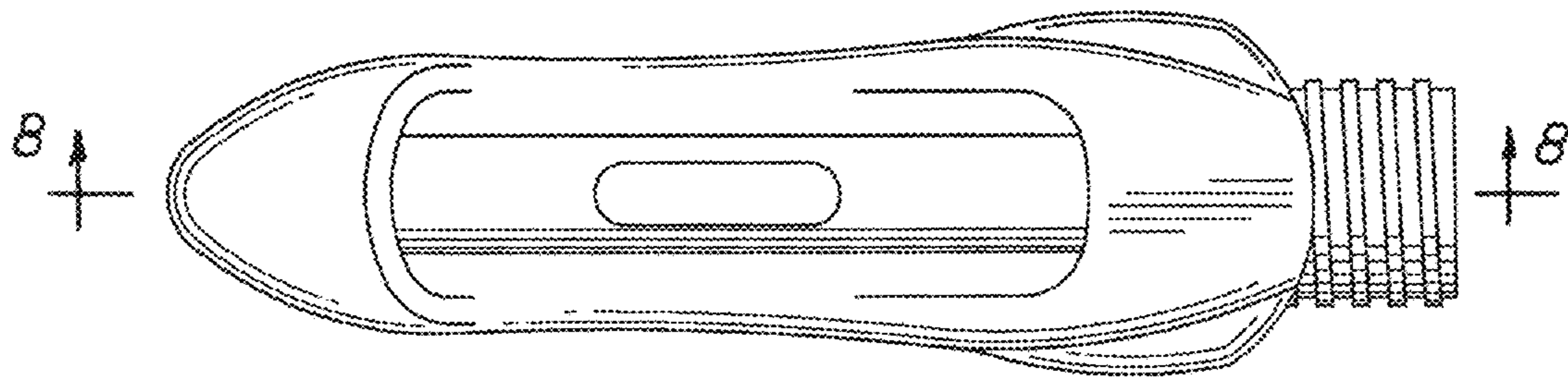


Fig. 2

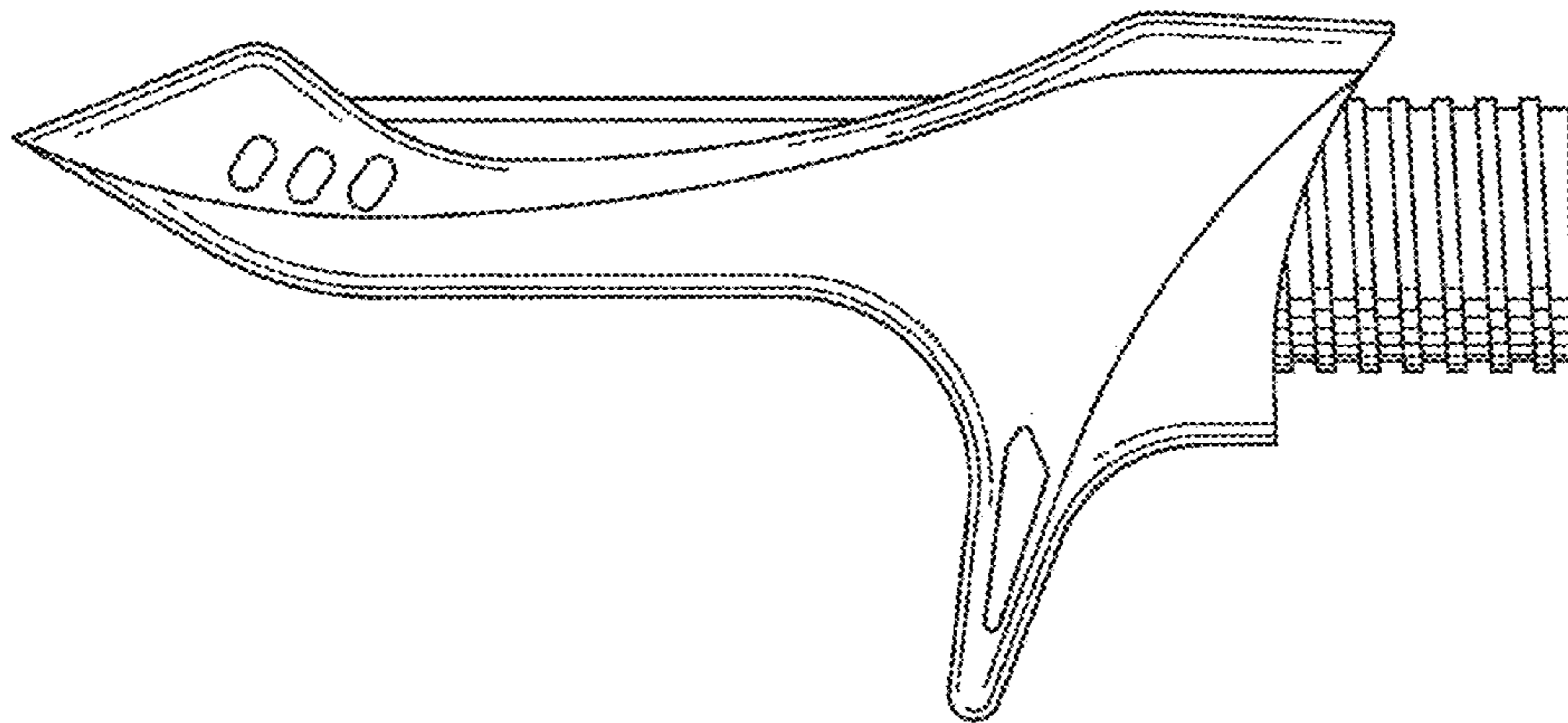


Fig. 3

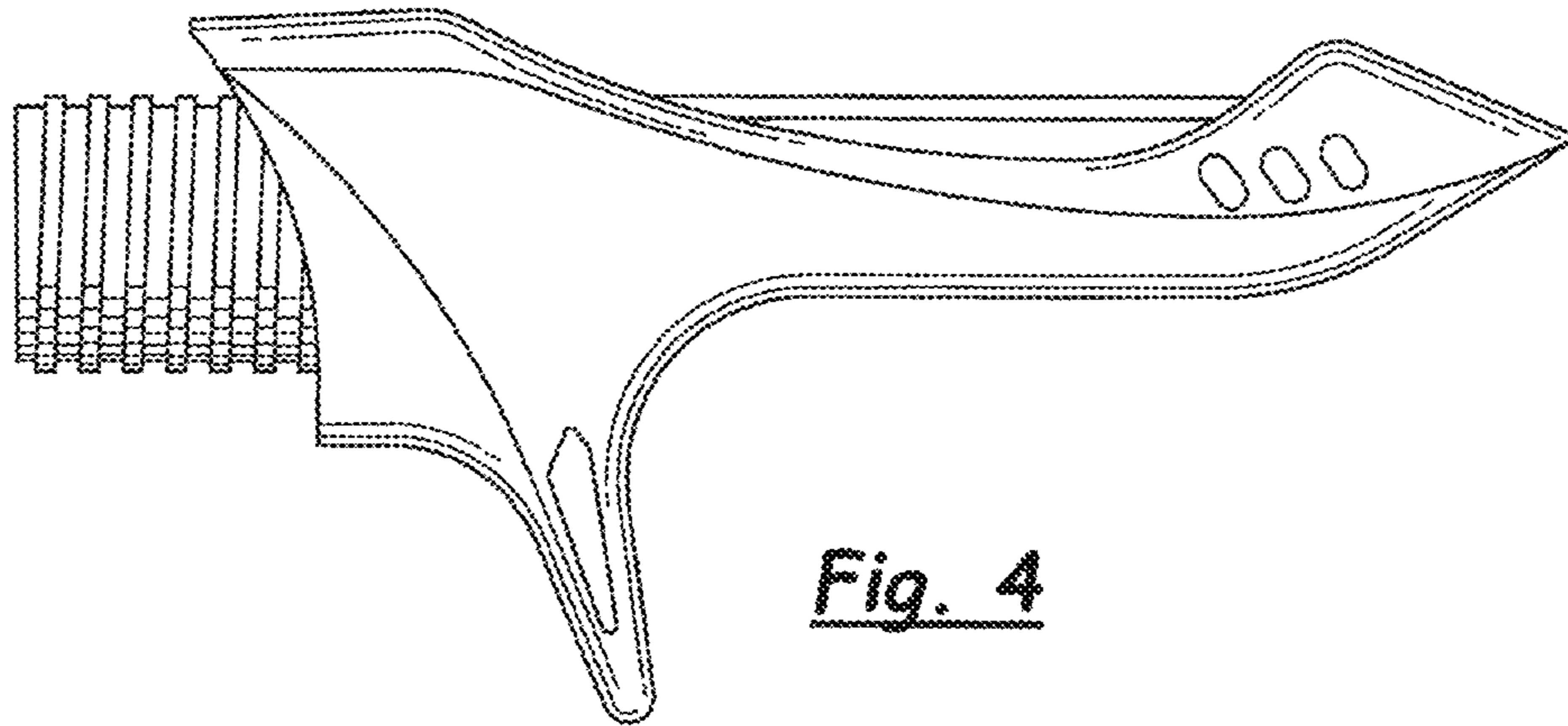


Fig. 4

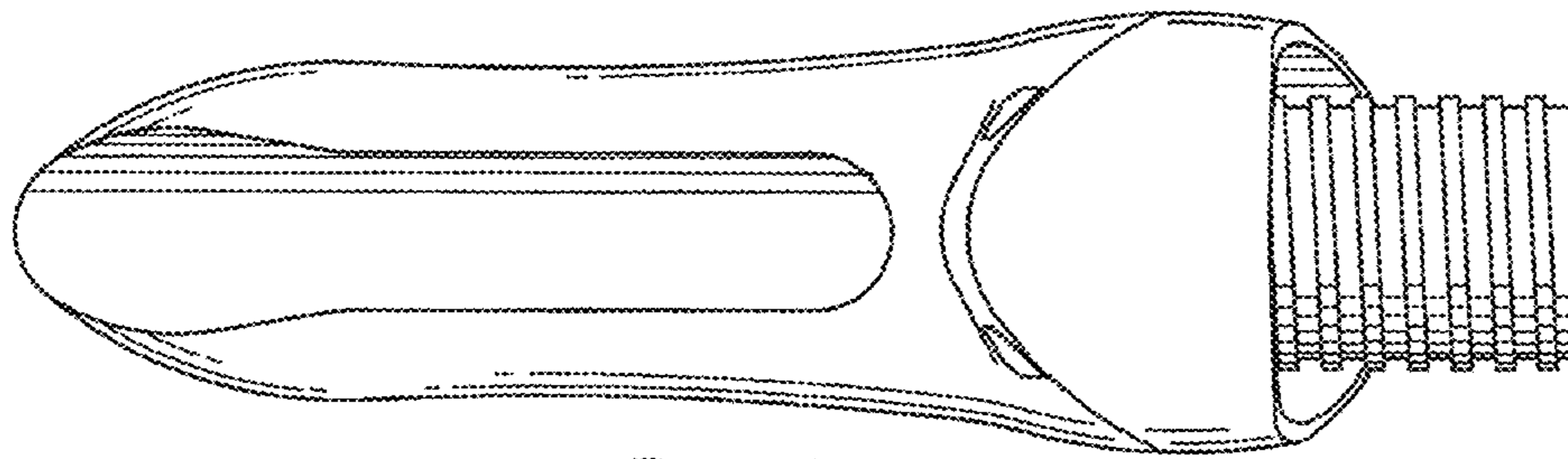


Fig. 5

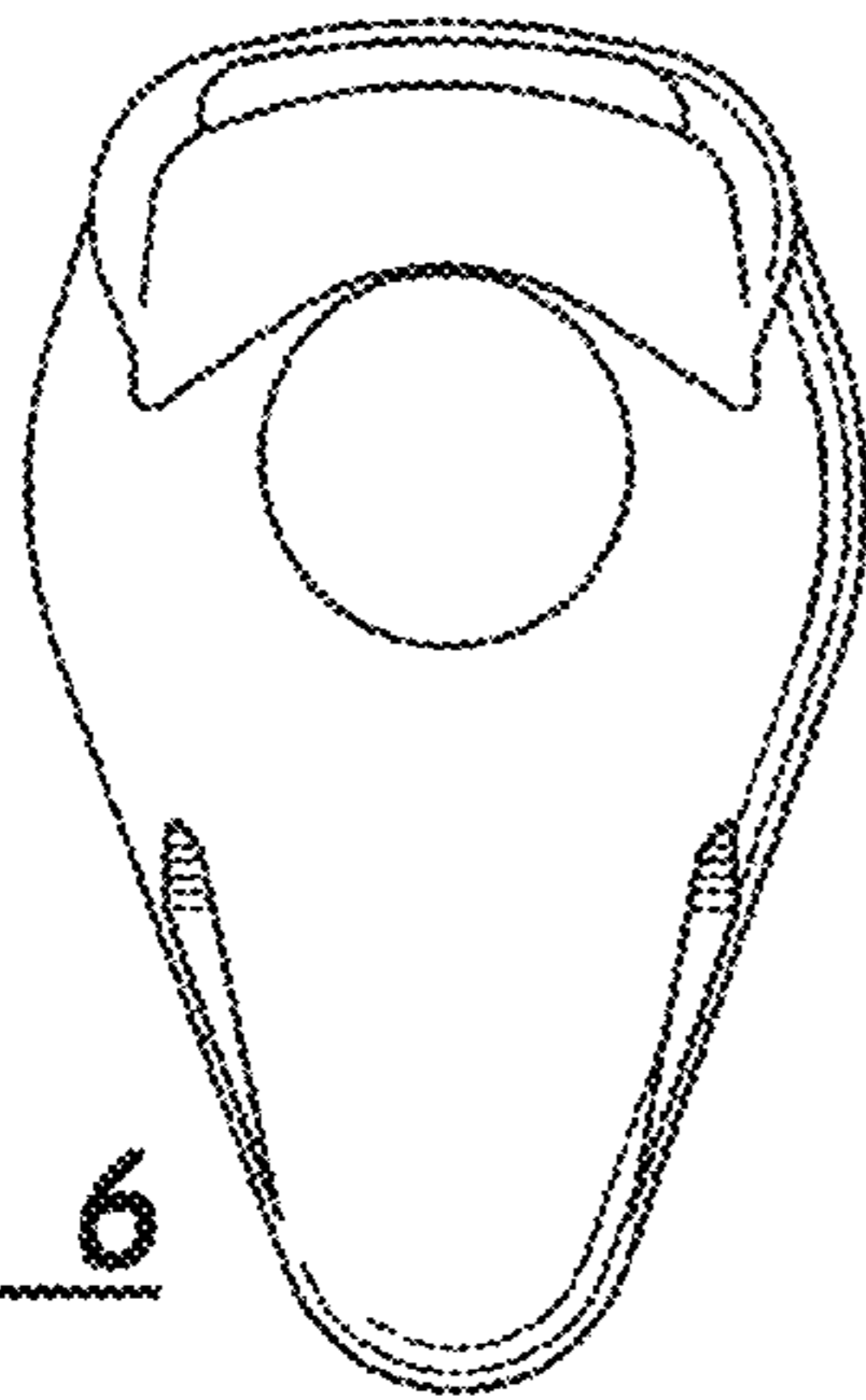


Fig. 6

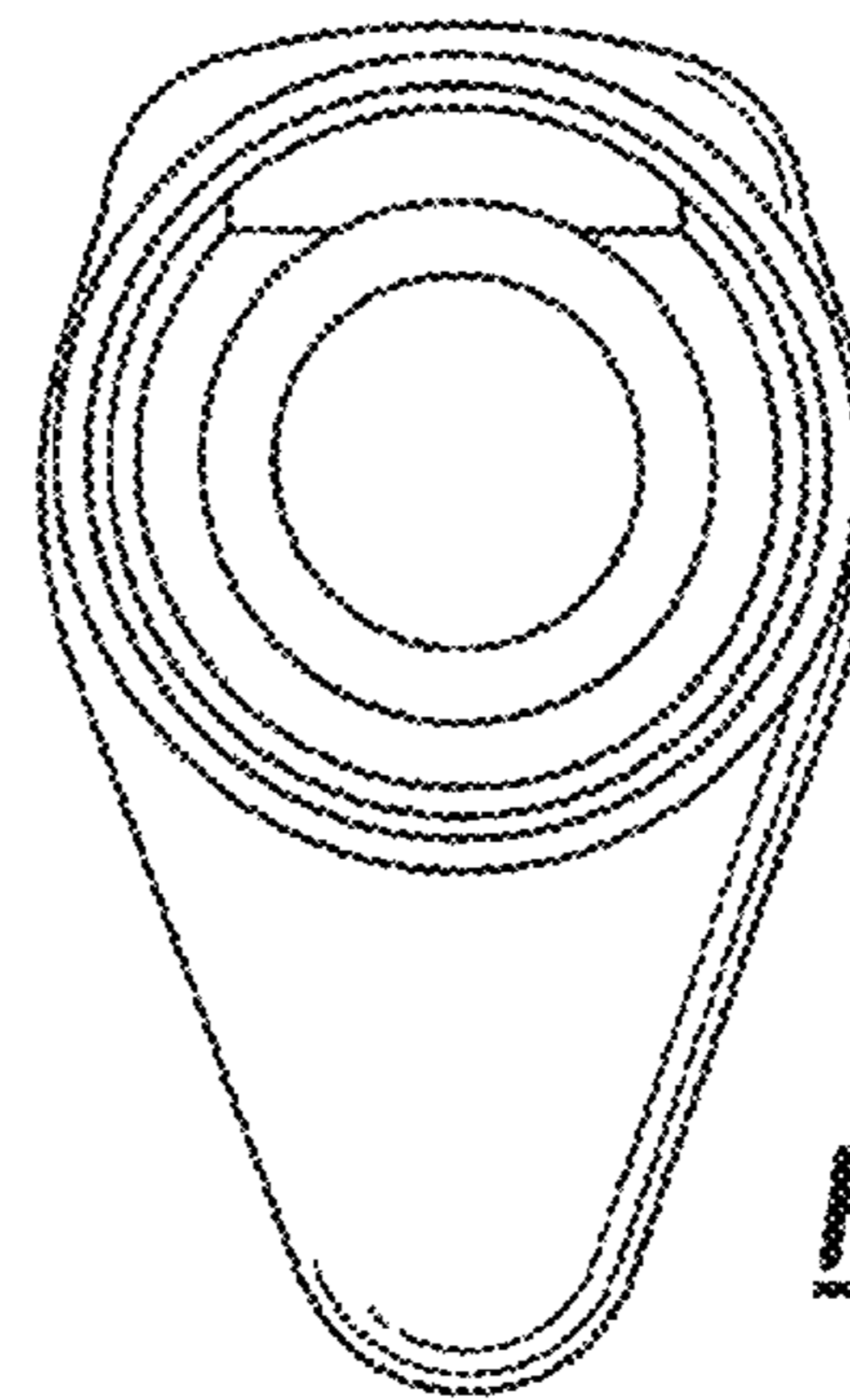


Fig. 7

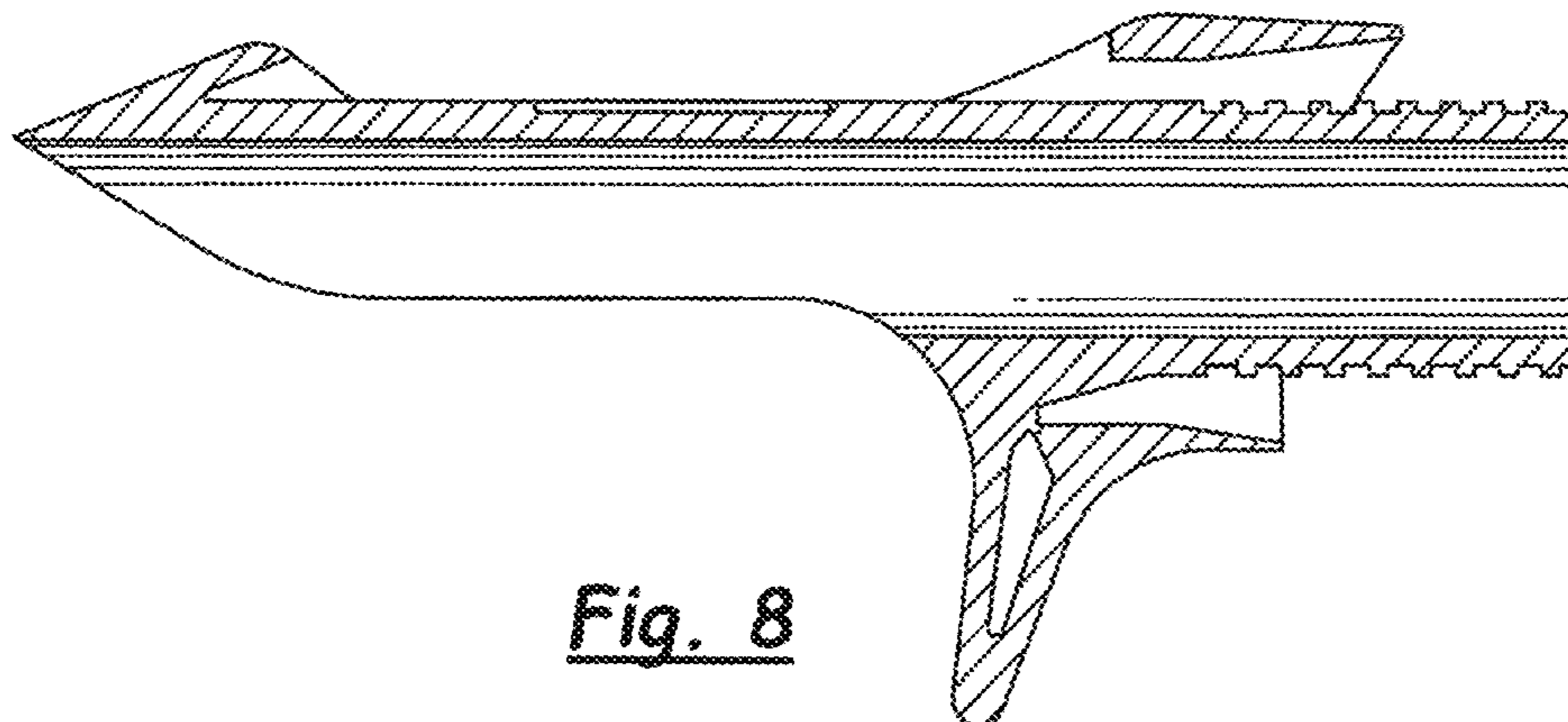


Fig. 8