



US00D900273S

(12) **United States Design Patent**  
**Cheng et al.**

(10) **Patent No.:** **US D900,273 S**  
(45) **Date of Patent:** **\*\* Oct. 27, 2020**

(54) **REFLEX SIGHT**

(71) Applicants: **Carson Cheng**, City of Industry, CA (US); **Changan Tian**, City of Industry, CA (US); **Michael Cheng**, City of Industry, CA (US)

(72) Inventors: **Carson Cheng**, City of Industry, CA (US); **Changan Tian**, City of Industry, CA (US); **Michael Cheng**, City of Industry, CA (US)

(73) Assignee: **NcSTAR Inc.**, City of Industry, CA (US)

(\*\*) Term: **15 Years**

(21) Appl. No.: **29/705,063**

(22) Filed: **Sep. 9, 2019**

(51) **LOC (12) Cl.** ..... **22-01**

(52) **U.S. Cl.**  
USPC ..... **D22/109**

(58) **Field of Classification Search**  
USPC ..... D22/100, 101, 103, 104, 108, 109, 110,  
D22/111, 115, 116, 199; D21/567, 573,  
D21/574

(Continued)

(56) **References Cited**

**U.S. PATENT DOCUMENTS**

D365,858 S \* 1/1996 Tomita ..... D16/132  
D616,956 S \* 6/2010 Hamilton ..... D22/108

(Continued)

**OTHER PUBLICATIONS**

“Holosun®—HS515GM Red Dot Sight” [online]. recreationid.com. [Retrieved on Jun. 4, 2020]. Retrieved from the Internet: <<https://www.recreationid.com/holosun/holosun-hs515gm-classic-micro-reflex-sight-2051497111.html>>.\*

(Continued)

*Primary Examiner* — Khawaja Anwar  
*Assistant Examiner* — Mojtaba Tehrani

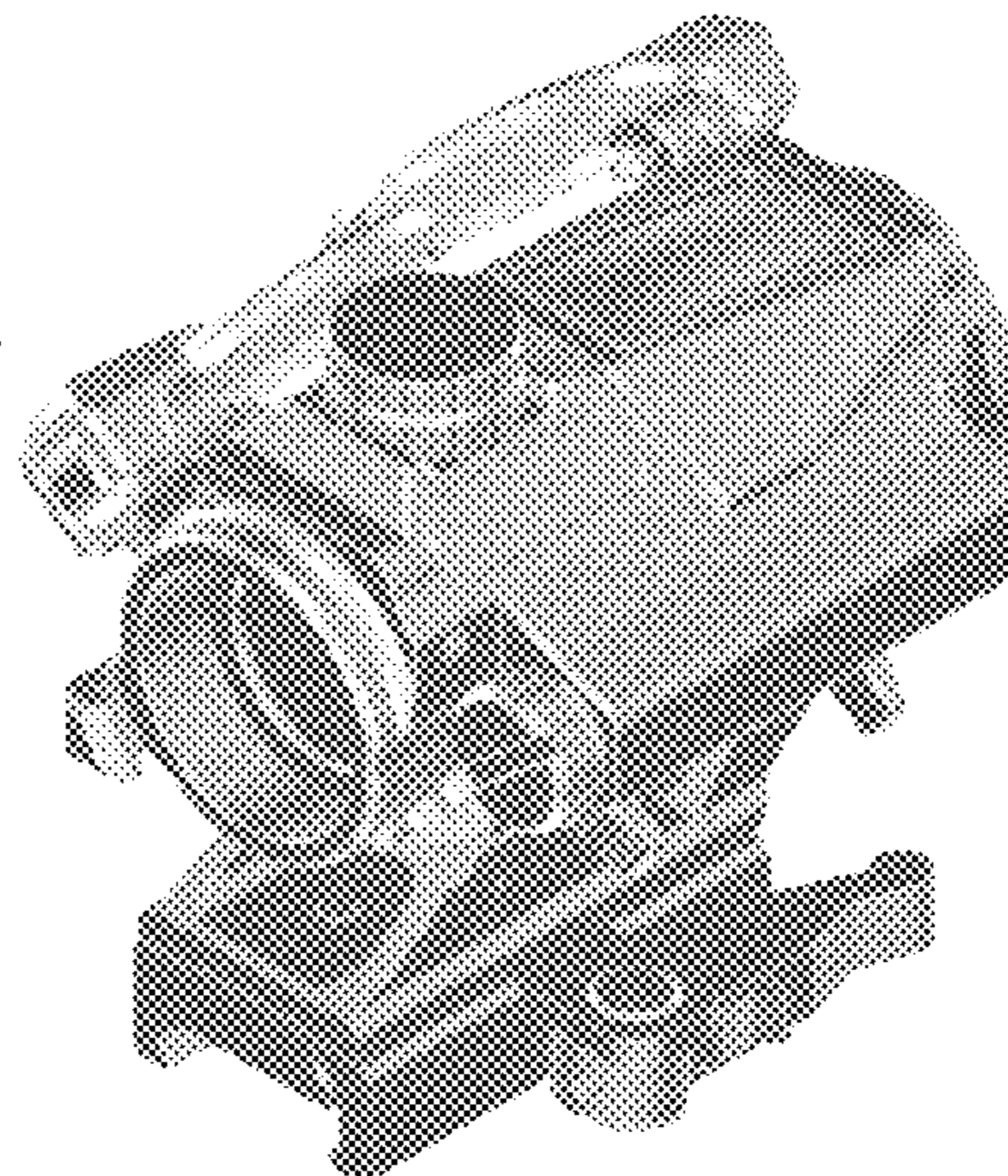
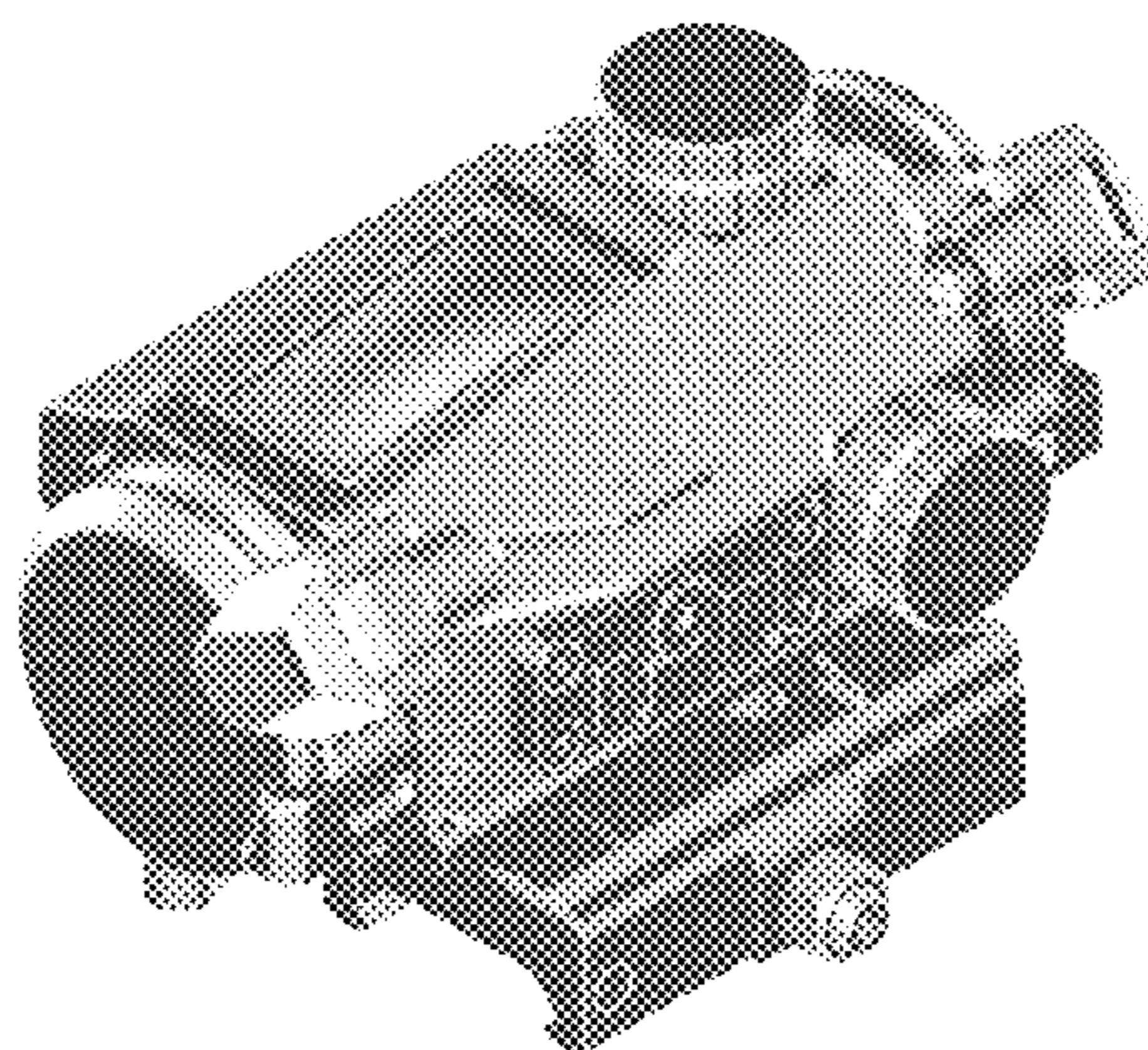
(57) **CLAIM**

The ornamental design for a reflex sight, as shown and described.

**DESCRIPTION**

FIG. 1 is a front view of the reflex sight of our new design; FIG. 2 is a rear view thereof; FIG. 3 is a left view thereof; FIG. 4 is a right view thereof; FIG. 5 is a top view thereof; FIG. 6 is a bottom view thereof; FIG. 7 is a top, front and left perspective view thereof; FIG. 8 is a bottom, front and right perspective view thereof; FIG. 9 is a top, rear and right perspective view thereof; FIG. 10 is a bottom, rear and left perspective view thereof. FIG. 11 is a front view, showing the lens cover of the reflex sight being unfolded thereof; FIG. 12 is a rear view, showing the lens cover of the reflex sight being unfolded thereof; FIG. 13 is a left view, showing the lens cover of the reflex sight being unfolded thereof; FIG. 14 is a right view, showing the lens cover of the reflex sight being unfolded thereof; FIG. 15 is a top view, showing the lens cover of the reflex sight being unfolded thereof; FIG. 16 is a bottom view, showing the lens cover of the reflex sight being unfolded thereof; FIG. 17 is a top, front and left perspective view, showing the lens cover of the reflex sight being unfolded thereof; FIG. 18 is a bottom, front and right perspective view, showing the lens cover of the reflex sight being unfolded thereof; FIG. 19 is a top, rear and right perspective view, showing the lens cover of the reflex sight being unfolded thereof; and, FIG. 20 is a bottom, rear and left perspective view showing the lens cover of the reflex sight being unfolded thereof.

**1 Claim, 20 Drawing Sheets**



(58) **Field of Classification Search**

CPC ... F41G 1/30; F41G 1/42; F41G 11/00; F41G  
11/001; F41C 7/00; F41C 3/005; F41C  
23/04; F41C 23/10

See application file for complete search history.

(56) **References Cited**

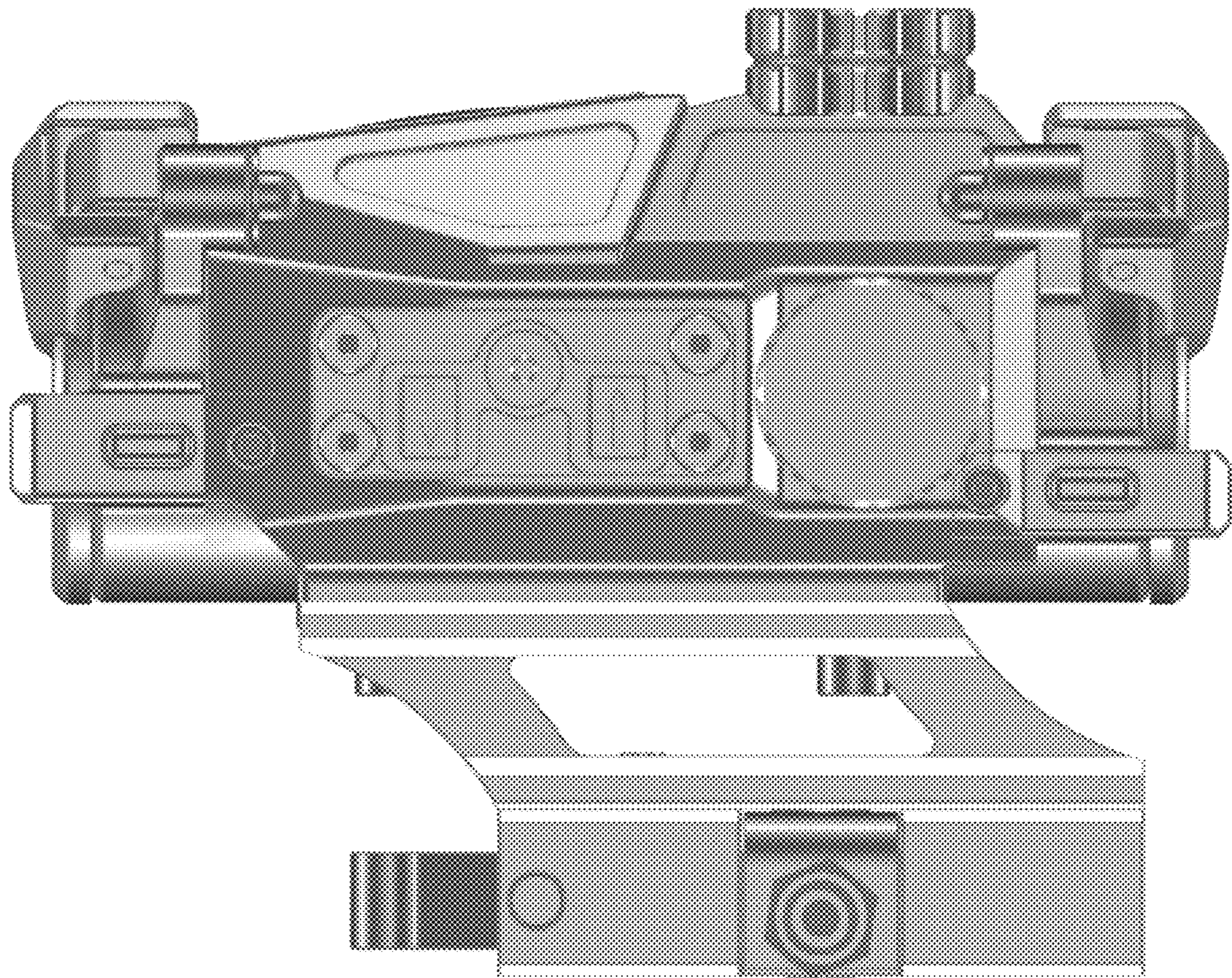
U.S. PATENT DOCUMENTS

D679,775	S	*	4/2013	Cheng	.....	D22/109
D728,062	S	*	4/2015	Hamilton	.....	D22/109
D732,137	S	*	6/2015	Hamilton	.....	D22/109
D752,701	S	*	3/2016	Bengtsson	.....	D22/109
D765,212	S	*	8/2016	Cheng	.....	D22/109
D787,627	S	*	5/2017	Horton	.....	D22/109
D795,989	S	*	8/2017	Horton	.....	D22/109
D806,820	S	*	1/2018	Larsson	.....	D22/109
D819,160	S	*	5/2018	Hamilton	.....	D22/109
D846,691	S	*	4/2019	Cheng	.....	D22/109
D856,458	S	*	8/2019	Cheng	.....	D22/109
2017/0363387	A1	*	12/2017	Sun	.....	G02B 27/32

OTHER PUBLICATIONS

“Barska AR-X HQ 1x30 Red Dot Sight (1 MOA Red Dot Reticle, Matte Black)” [online]. bhphotovideo.com. [Retrieved on Jun. 4, 2020]. Retrieved from the Internet<[https://www.bhphotovideo.com/c/product/1389514-REG/barska\\_ac13160\\_ar\\_x\\_1x30mm\\_hq\\_red.html](https://www.bhphotovideo.com/c/product/1389514-REG/barska_ac13160_ar_x_1x30mm_hq_red.html)>.\*

\* cited by examiner



**FIG. 1**

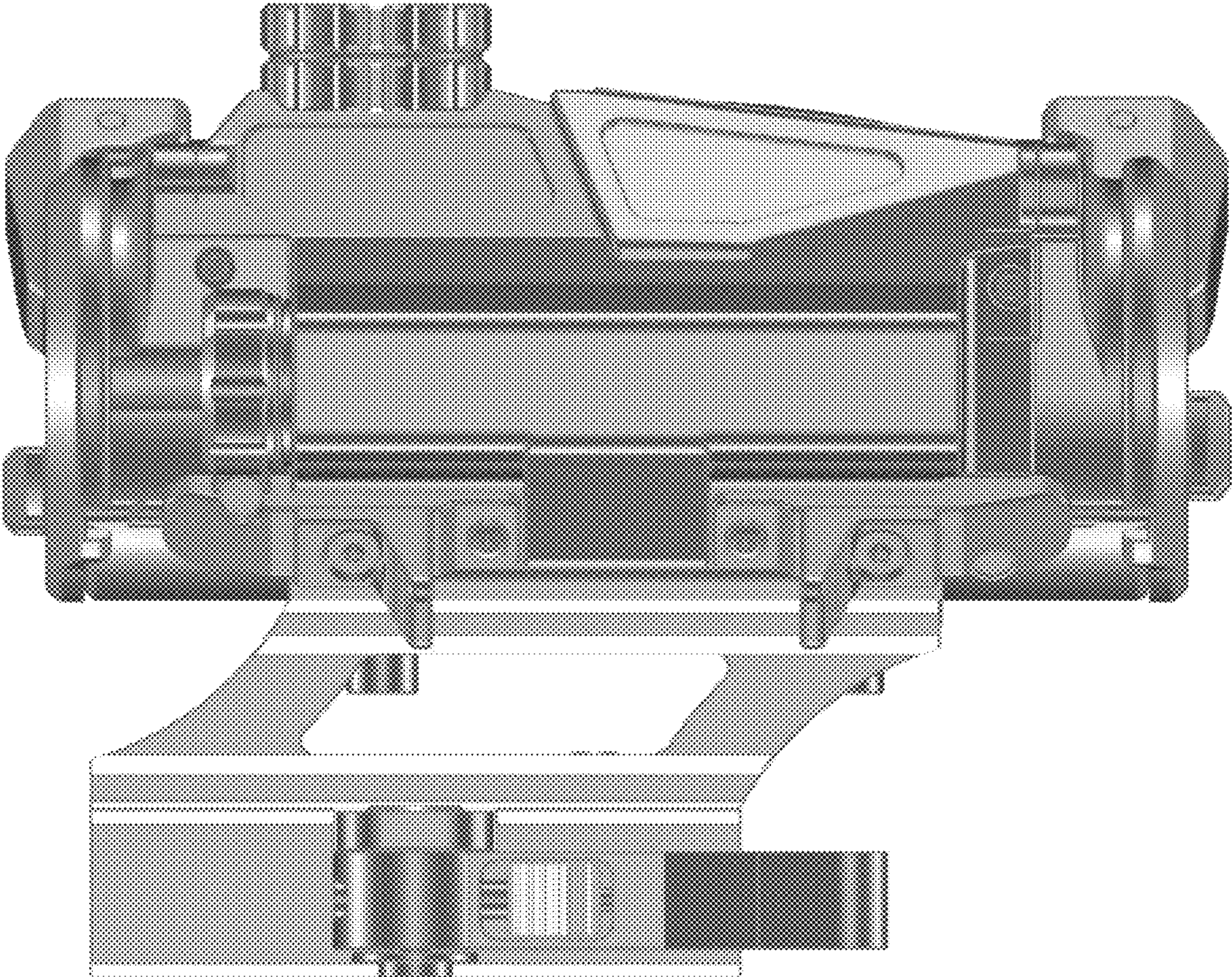
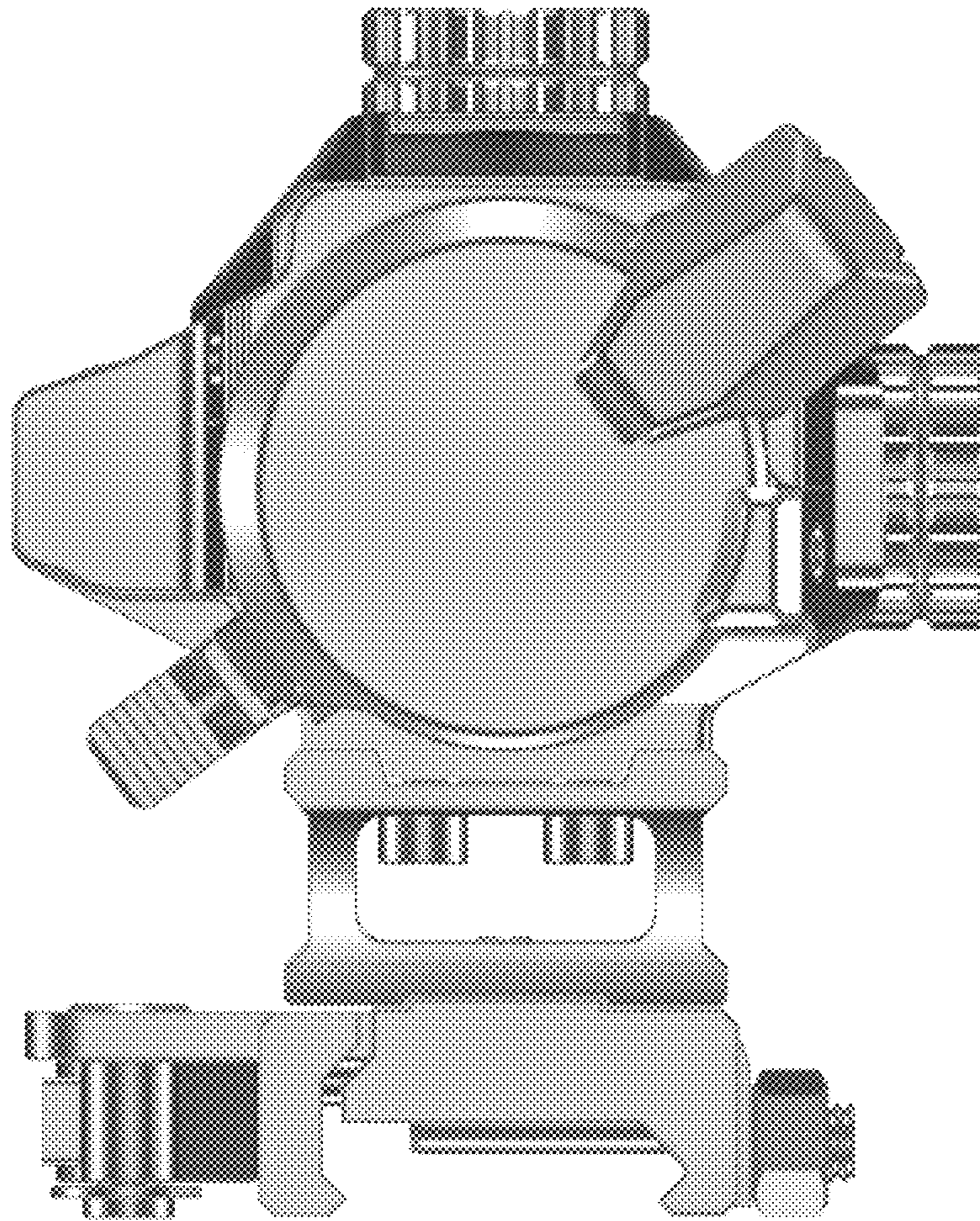
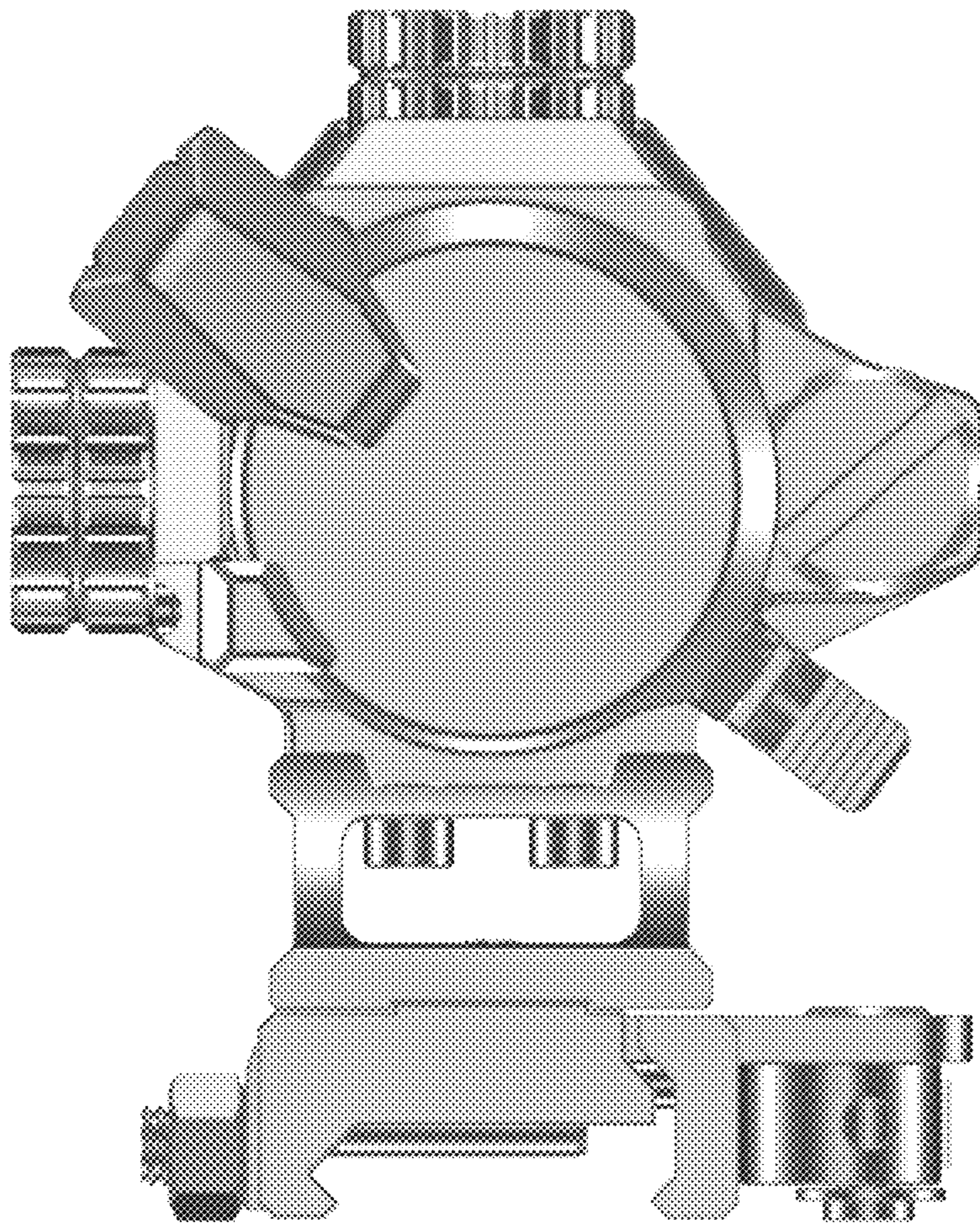


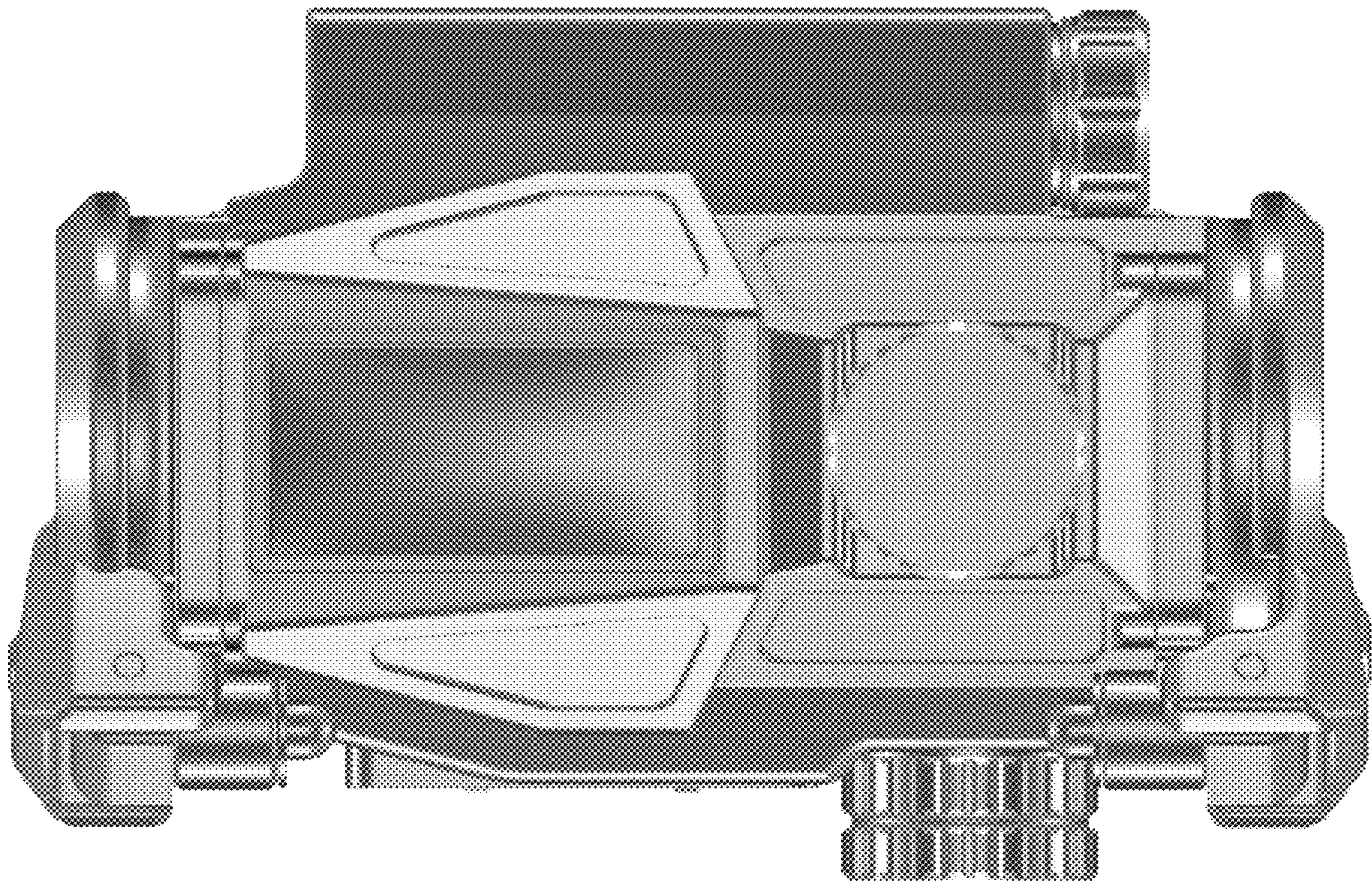
FIG. 2



**FIG. 3**



**FIG. 4**



**FIG. 5**

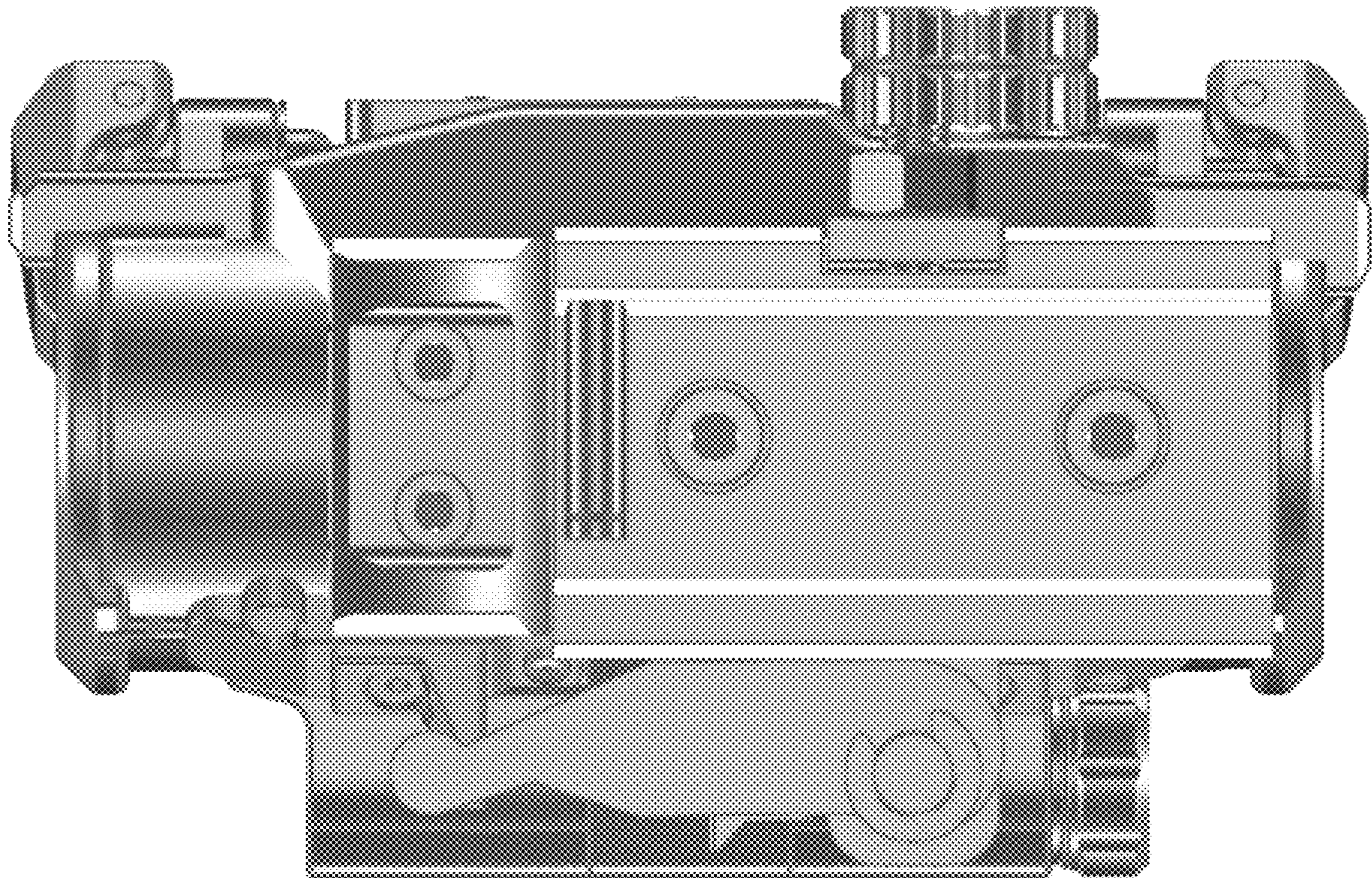


FIG. 6



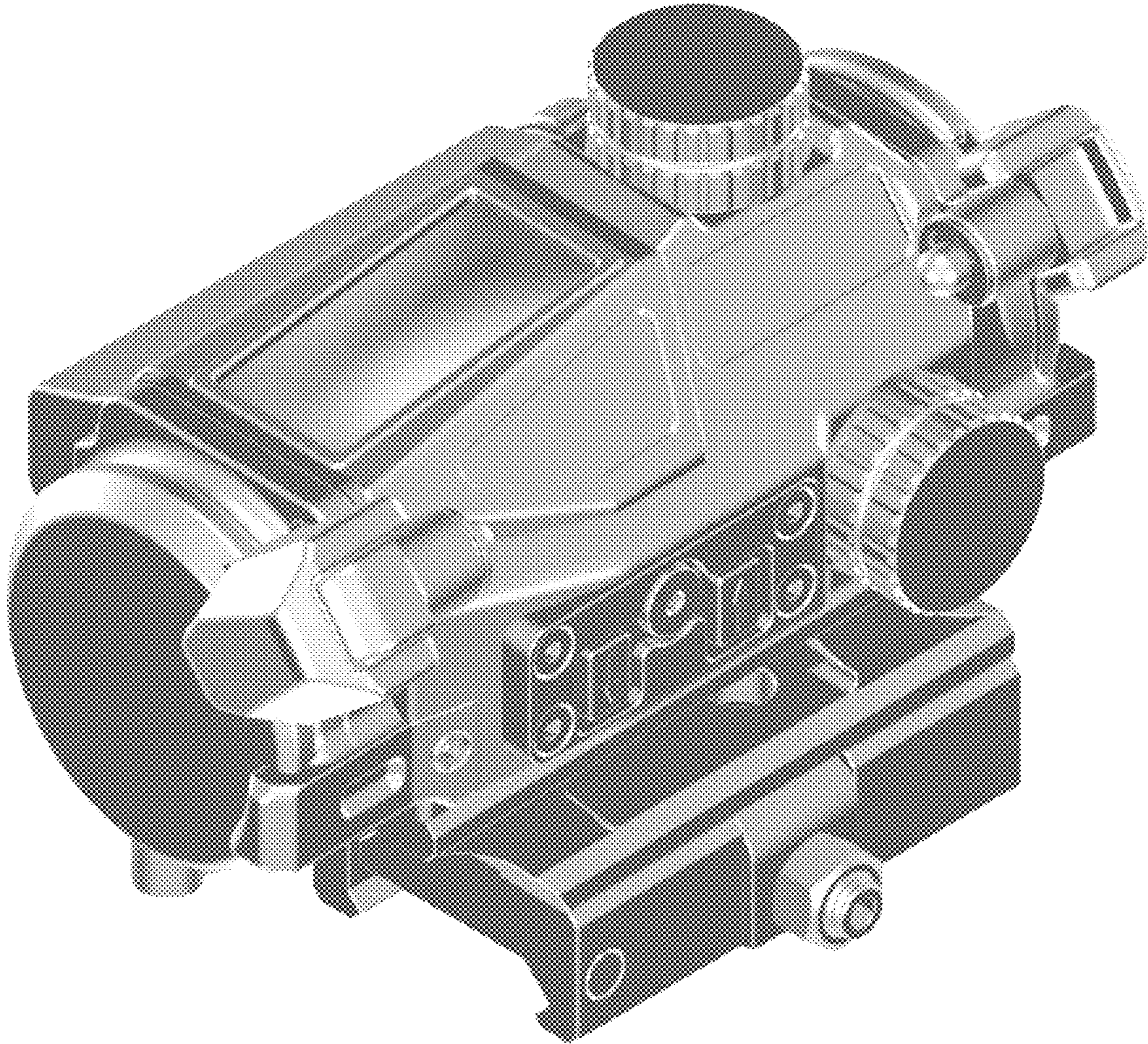


FIG. 7

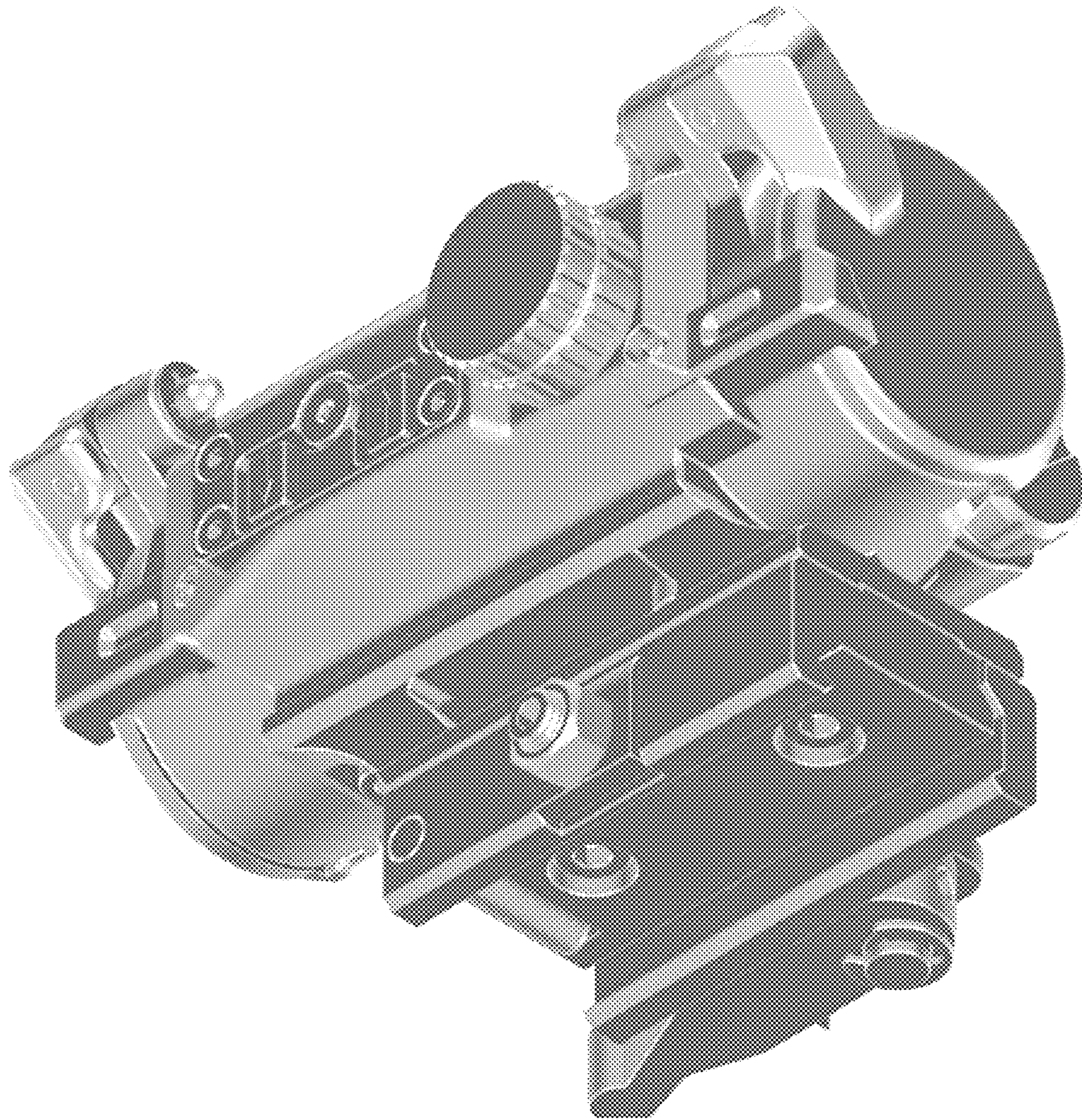
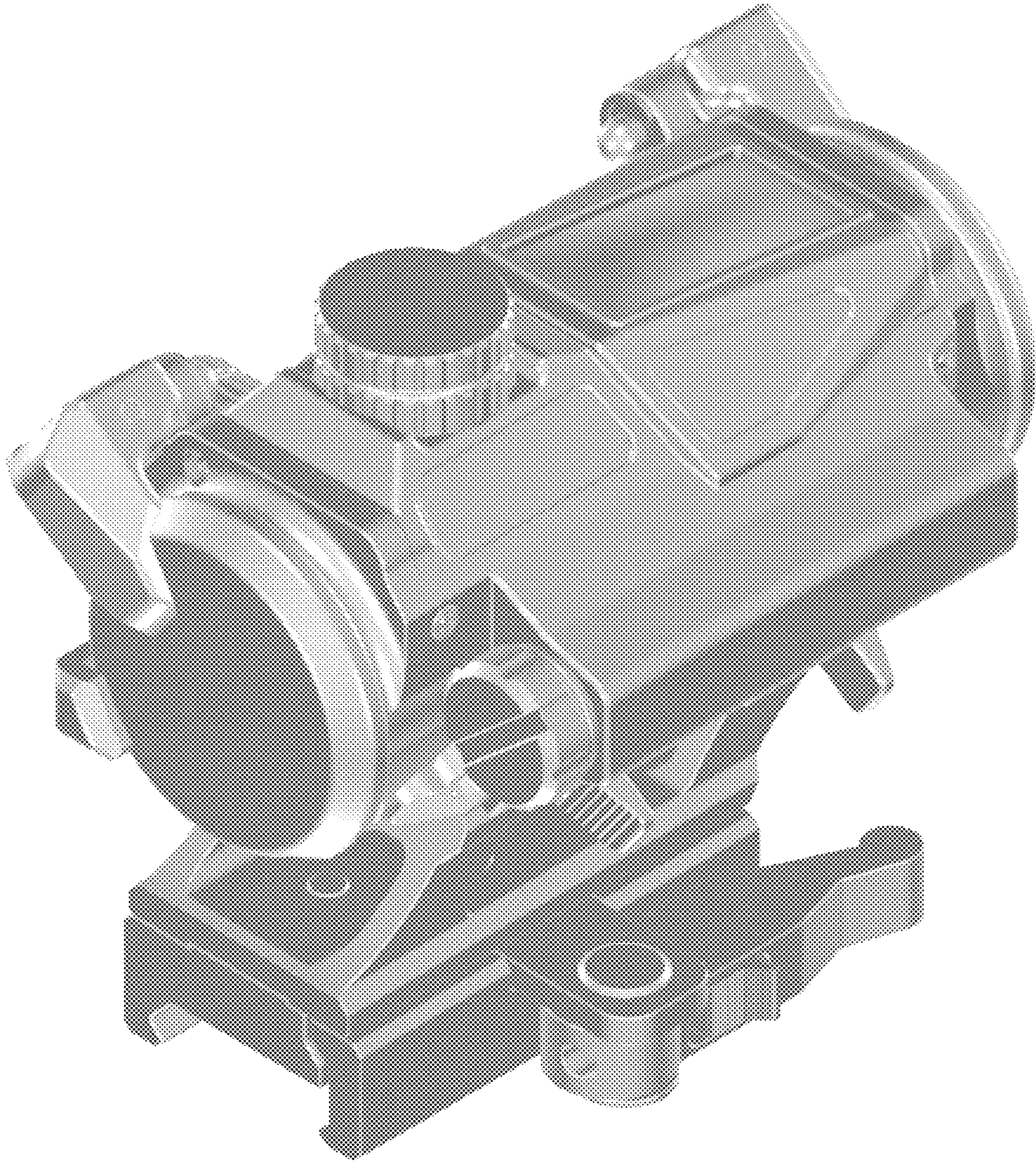
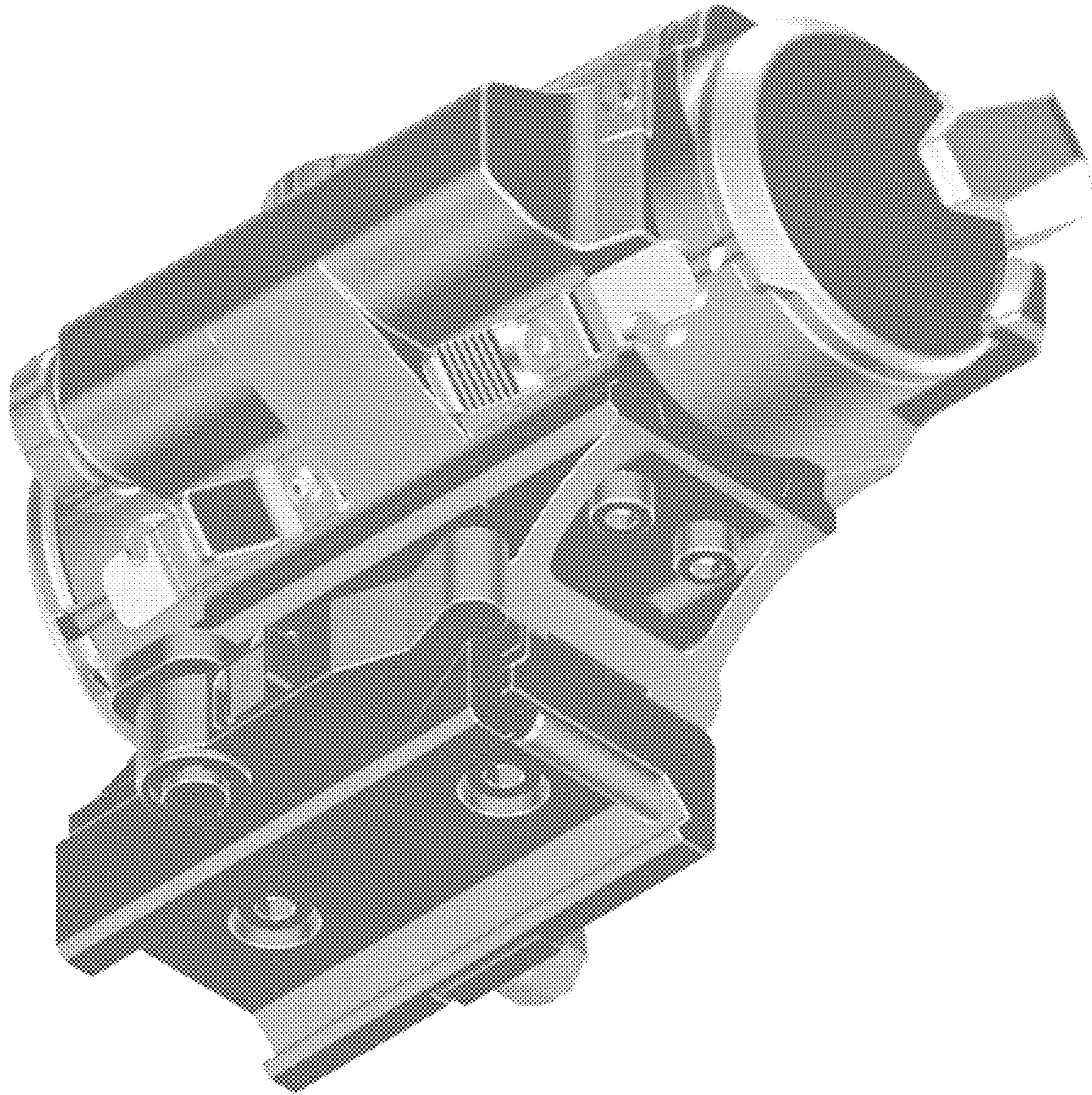


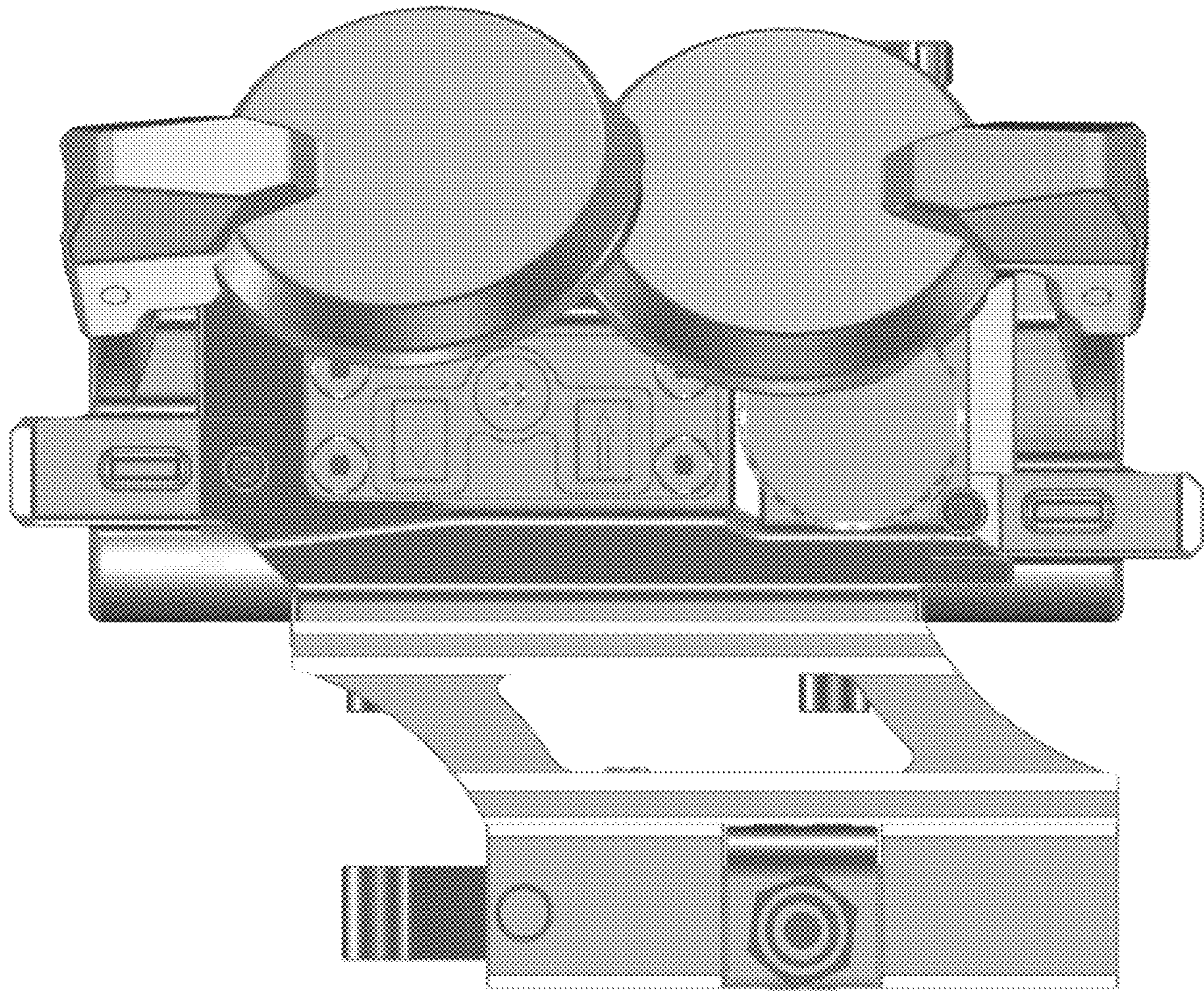
FIG. 8



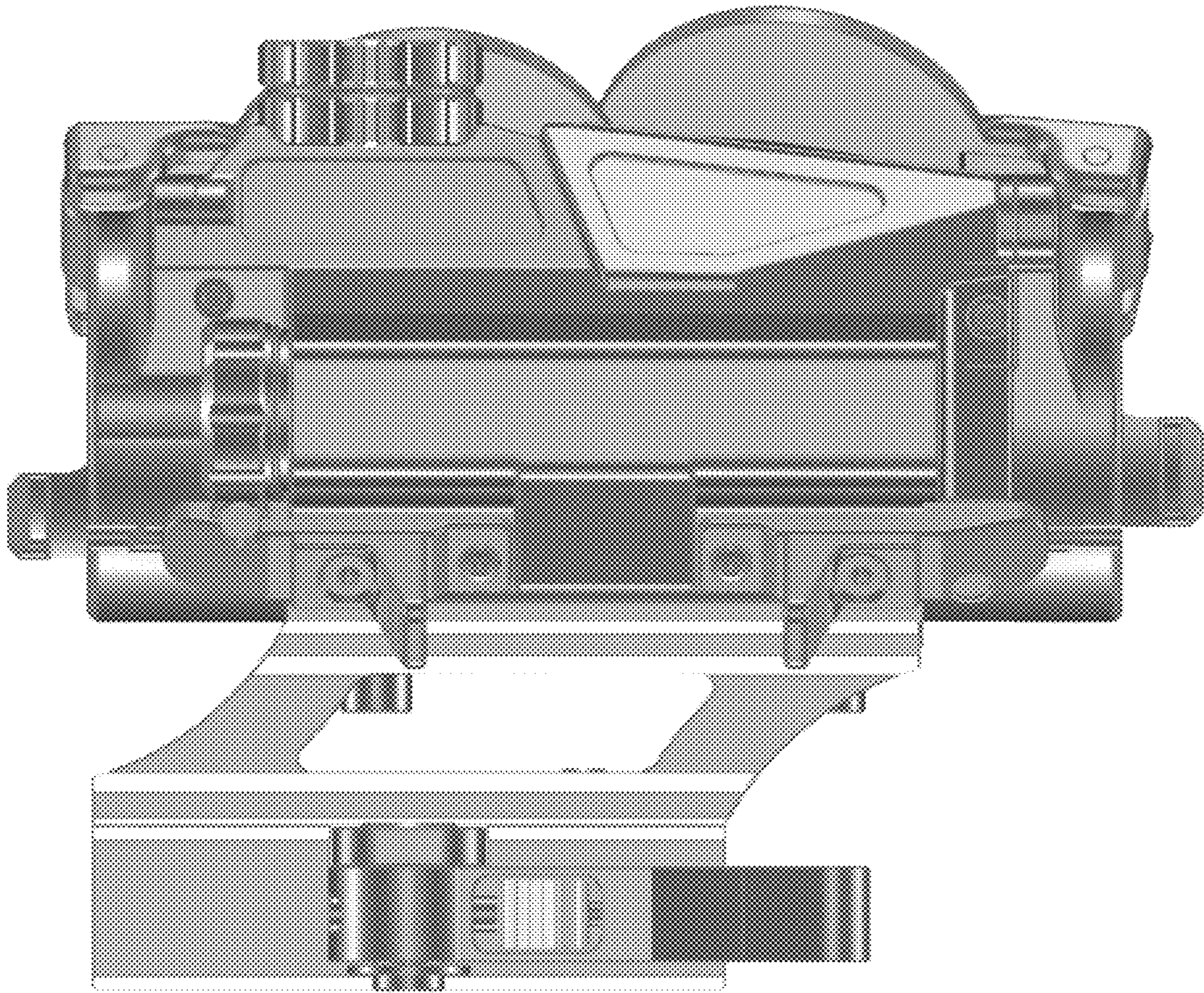
**FIG. 9**



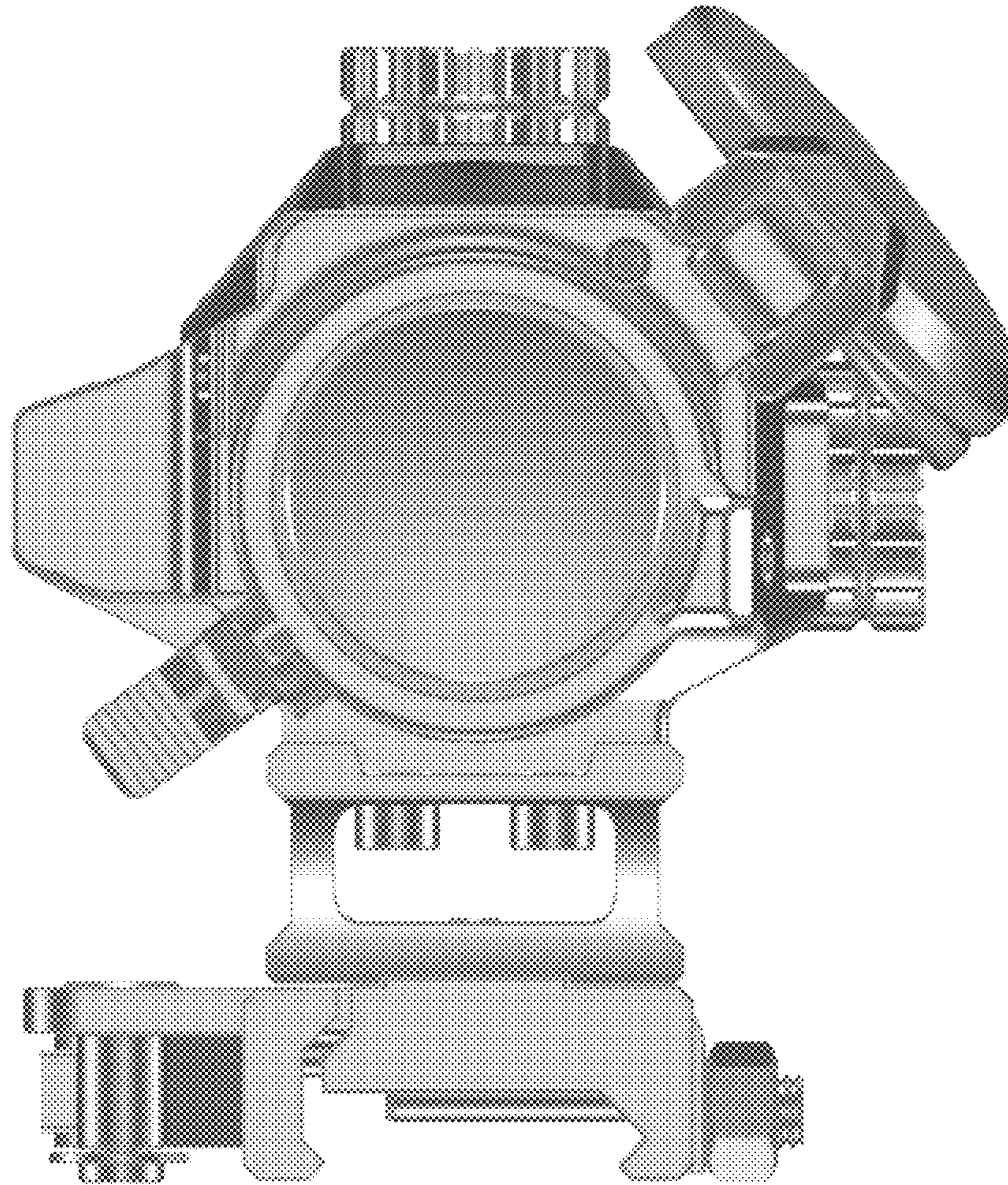
**FIG. 10**



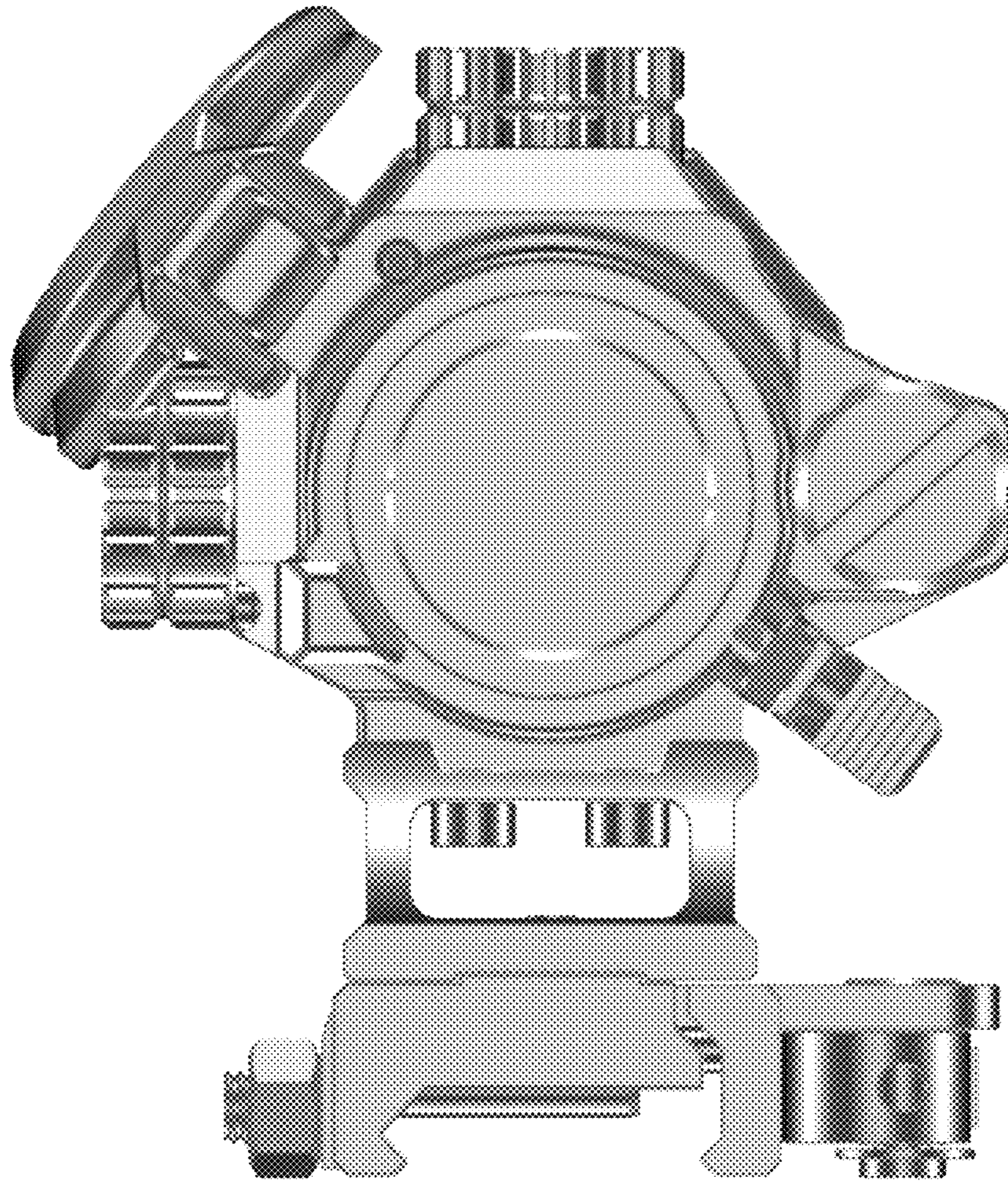
**FIG. 11**



**FIG. 12**

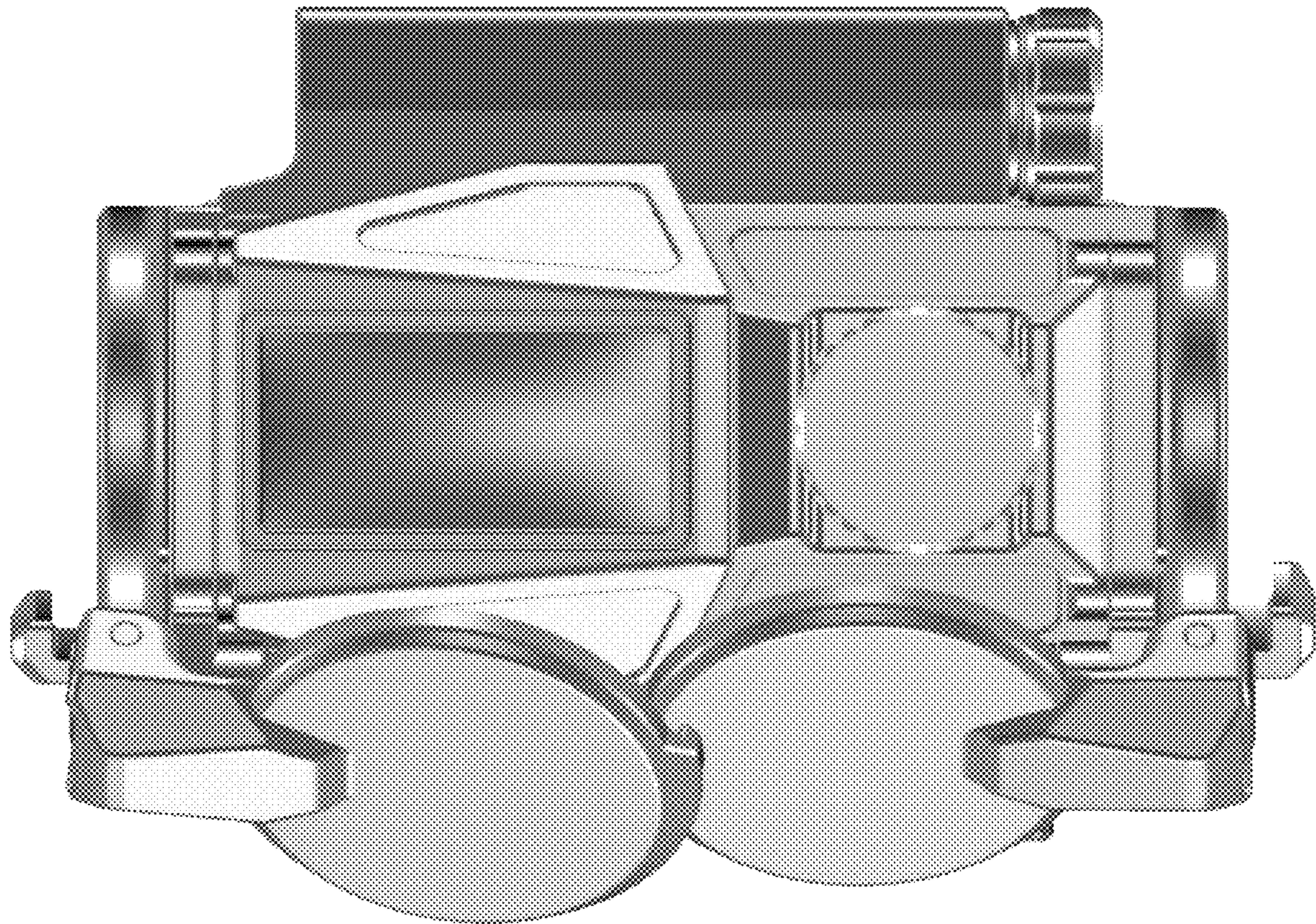


**FIG. 13**



**FIG. 14**





**FIG. 15**

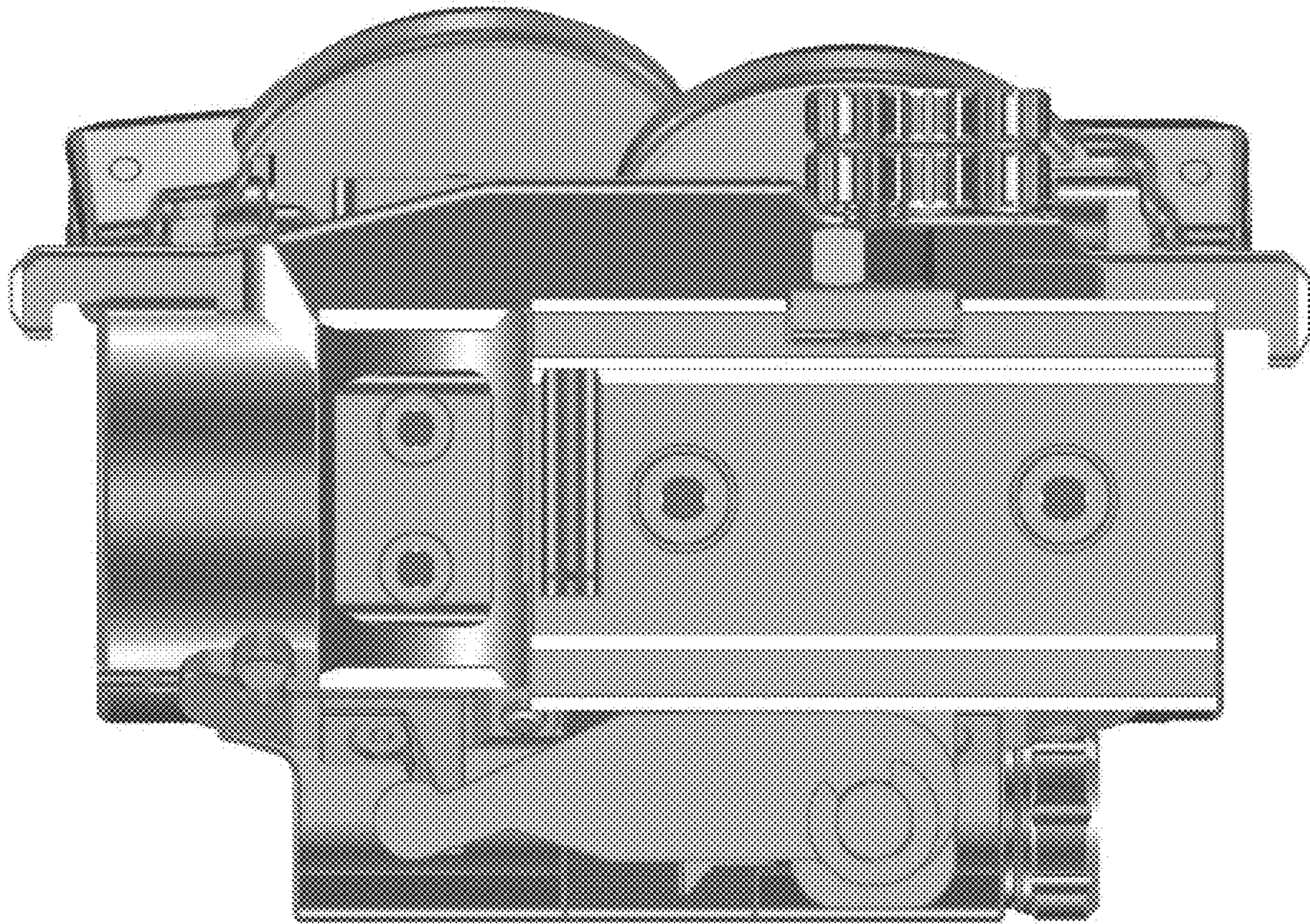
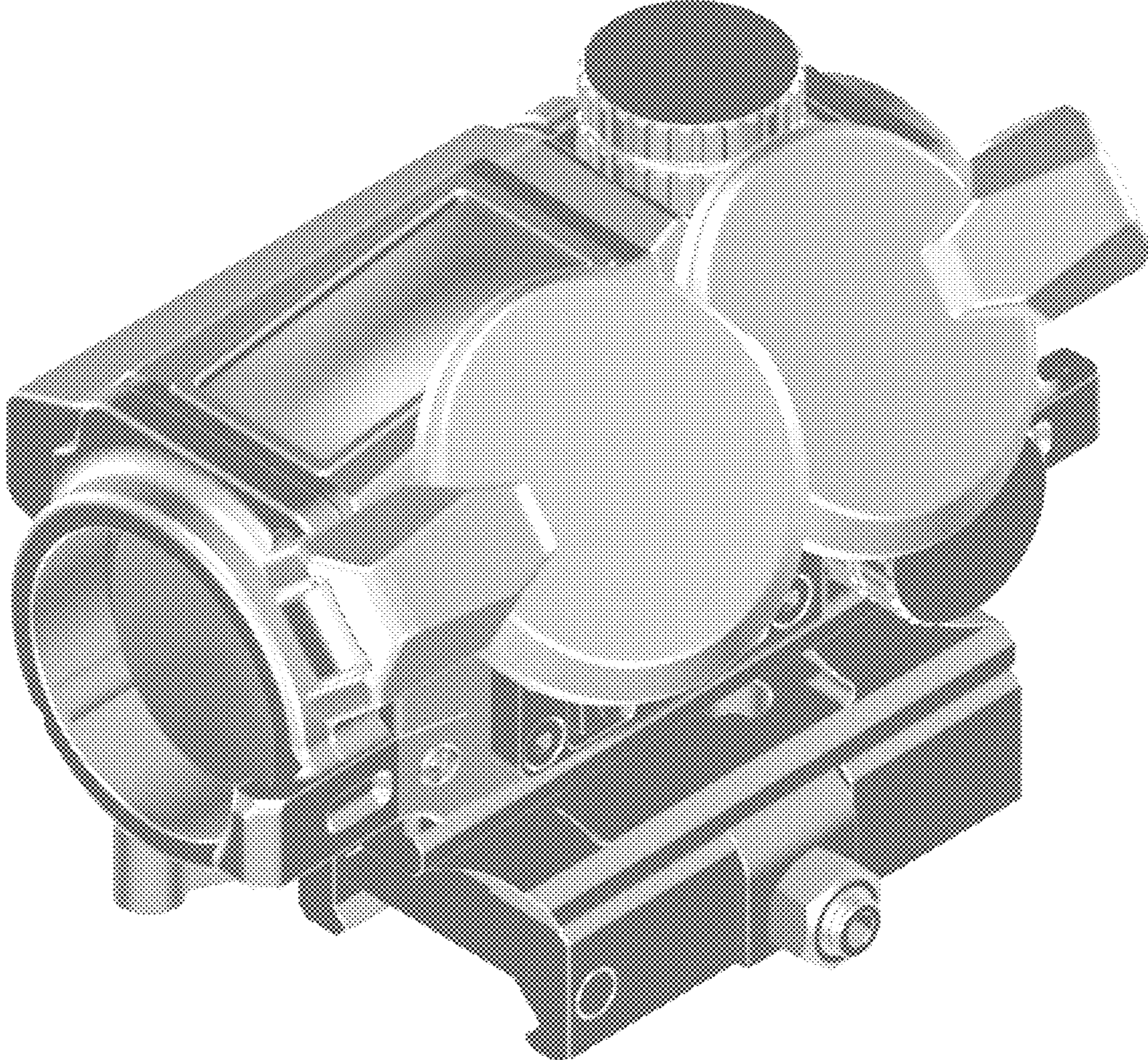
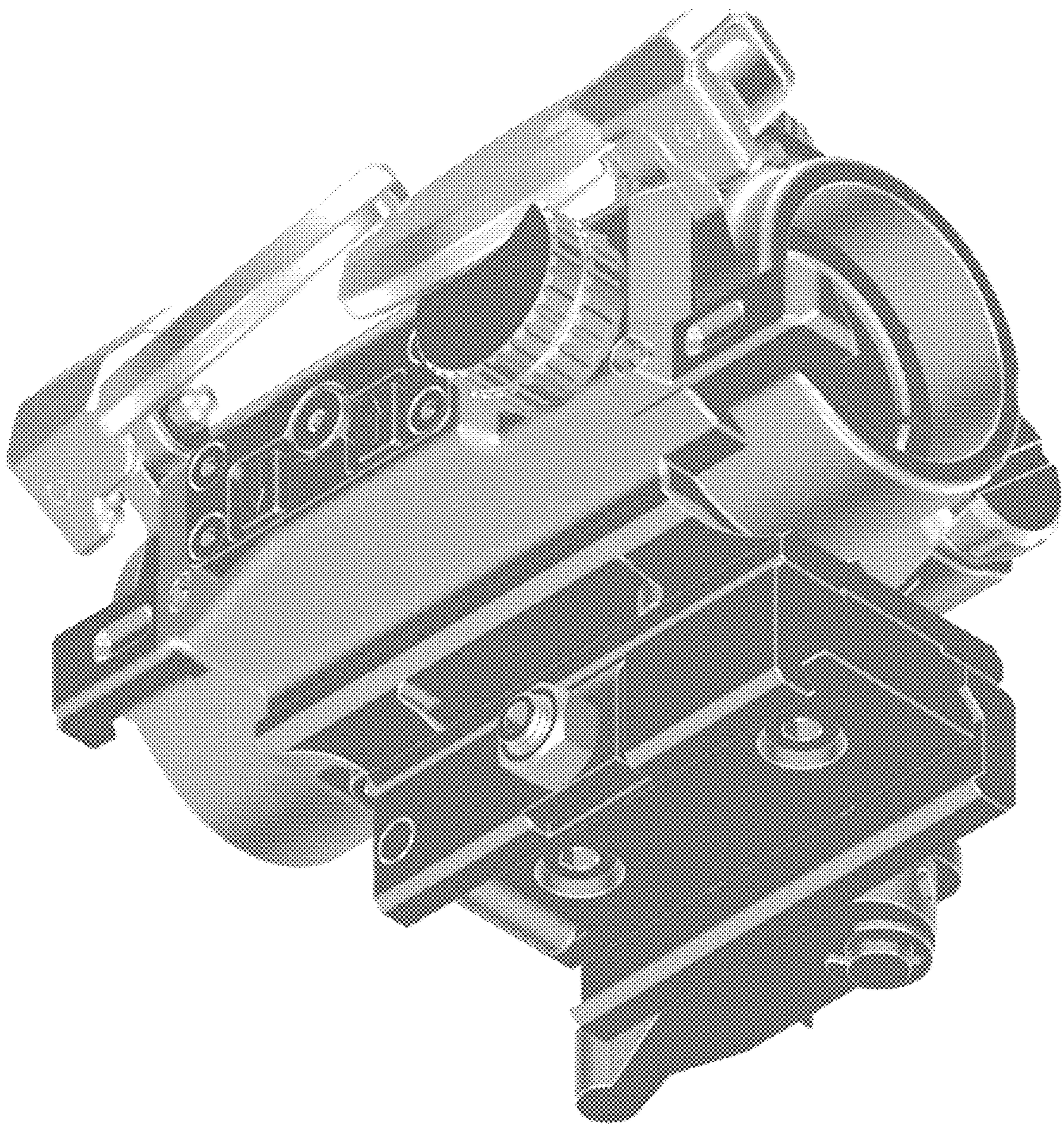


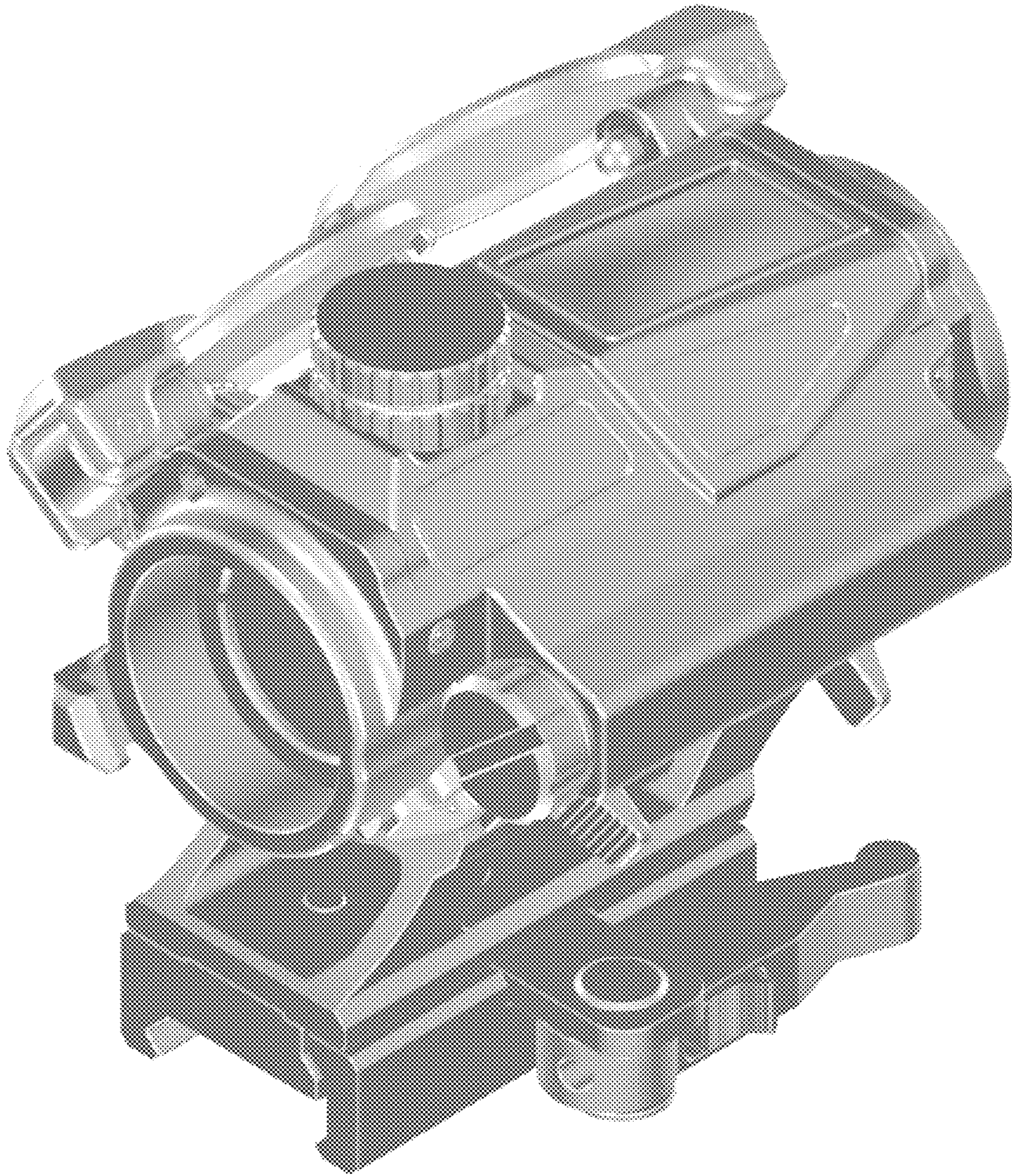
FIG. 16



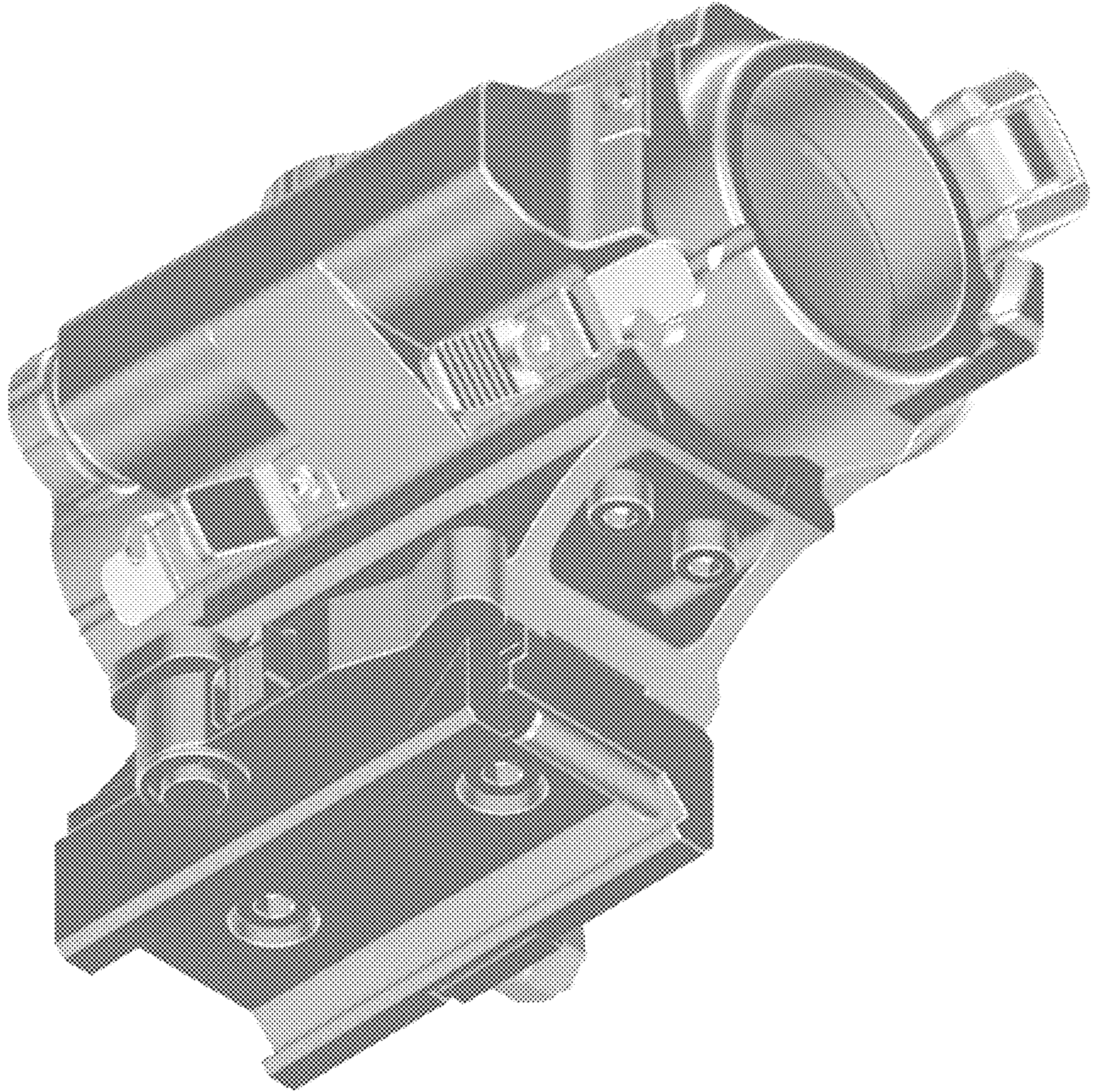
**FIG. 17**



**FIG. 18**



**FIG. 19**



**FIG. 20**