



US00D900272S

(12) **United States Design Patent**  
**Vachon**

(10) **Patent No.:** **US D900,272 S**

(45) **Date of Patent:** **\*\* Oct. 27, 2020**

(54) **FIREARM BRACE**

D313,886 S \* 1/1991 Southard ..... 211/163  
D406,629 S \* 3/1999 Banfill ..... D22/100  
D748,205 S \* 1/2016 Selph ..... D21/573

(71) Applicant: **FLATLAND MACHINE WORKS, LLC**, Pelzer, SC (US)

\* cited by examiner

(72) Inventor: **Josh Vachon**, Pelzer, SC (US)

*Primary Examiner* — Michael A. Pratt

(73) Assignee: **FLATLAND MACHINE WORKS, LLC**, Pelzer, SC (US)

(74) *Attorney, Agent, or Firm* — J. Bennett Mullinax, LLC

(\*\*) Term: **15 Years**

(57) **CLAIM**

(21) Appl. No.: **29/698,607**

The ornamental design for a firearm brace, as shown and described.

(22) Filed: **Jul. 18, 2019**

(51) **LOC (12) Cl.** ..... **22-01**

(52) **U.S. Cl.**  
USPC ..... **D22/108; D6/552**

**DESCRIPTION**

(58) **Field of Classification Search**  
USPC ..... D22/108  
CPC ..... F41C 27/22; F41C 23/12; F41C 23/14  
See application file for complete search history.

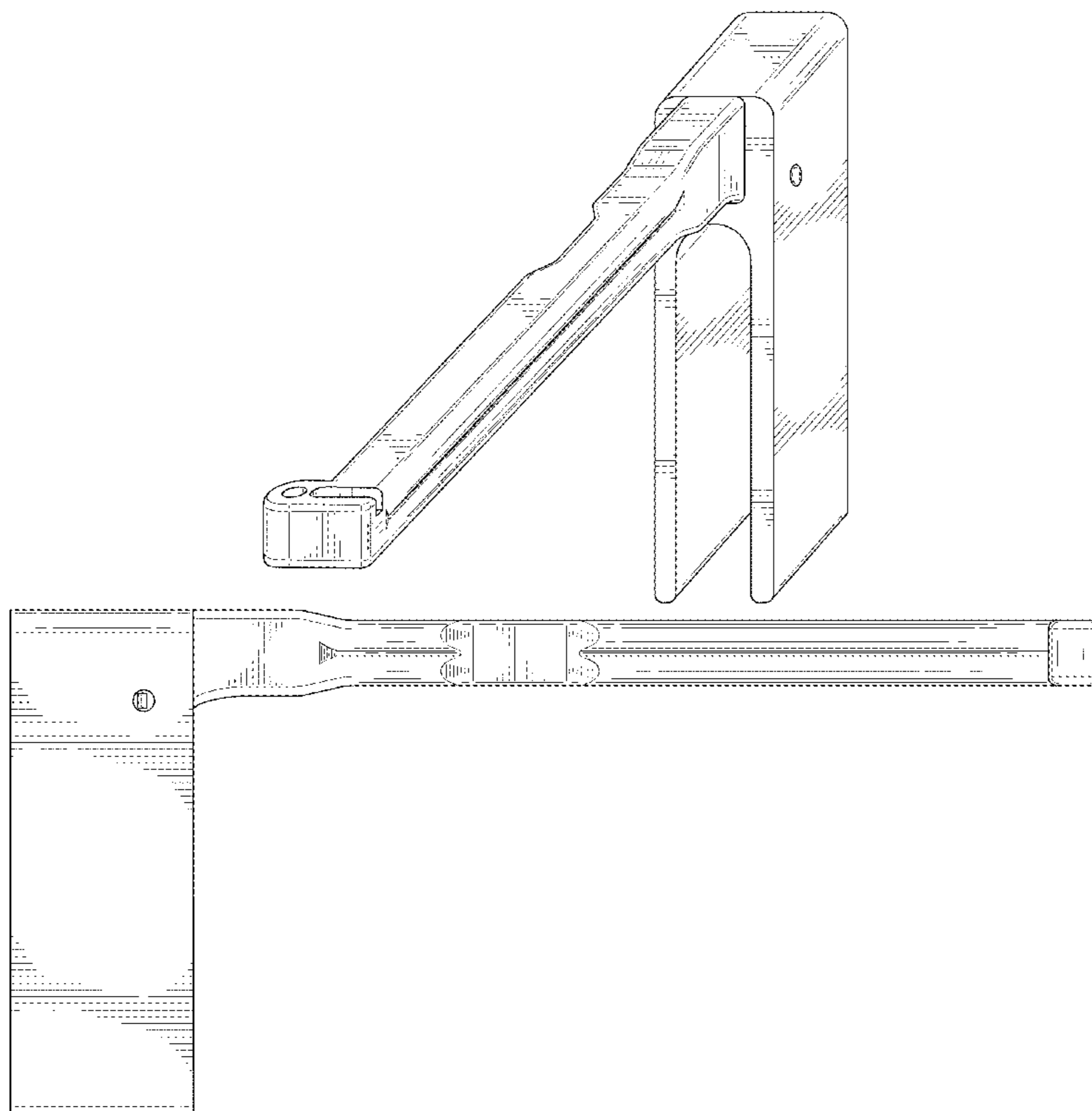
FIG. 1 is a front perspective view of the firearm brace as shown in FIG. 1;  
FIG. 2 is a front view of the firearm brace as shown in FIG. 1;  
FIG. 3 is a rear view of the firearm brace as shown in FIG. 1;  
FIG. 4 is a right side view of the firearm brace as shown in FIG. 1;  
FIG. 5 is a left side view of the firearm brace as shown in FIG. 1;  
FIG. 6 is a top view of the firearm brace as shown in FIG. 1; and,  
FIG. 7 is a bottom view of the firearm brace as shown in FIG. 1.

(56) **References Cited**

**U.S. PATENT DOCUMENTS**

2,774,563 A \* 12/1956 Pribis ..... A47B 81/007  
206/317  
2,877,689 A \* 3/1959 Pribis ..... F41A 23/00  
206/317  
4,449,314 A \* 5/1984 Sorensen ..... F41A 23/00  
211/64  
4,873,777 A \* 10/1989 Southard ..... F41A 23/18  
211/64

**1 Claim, 5 Drawing Sheets**



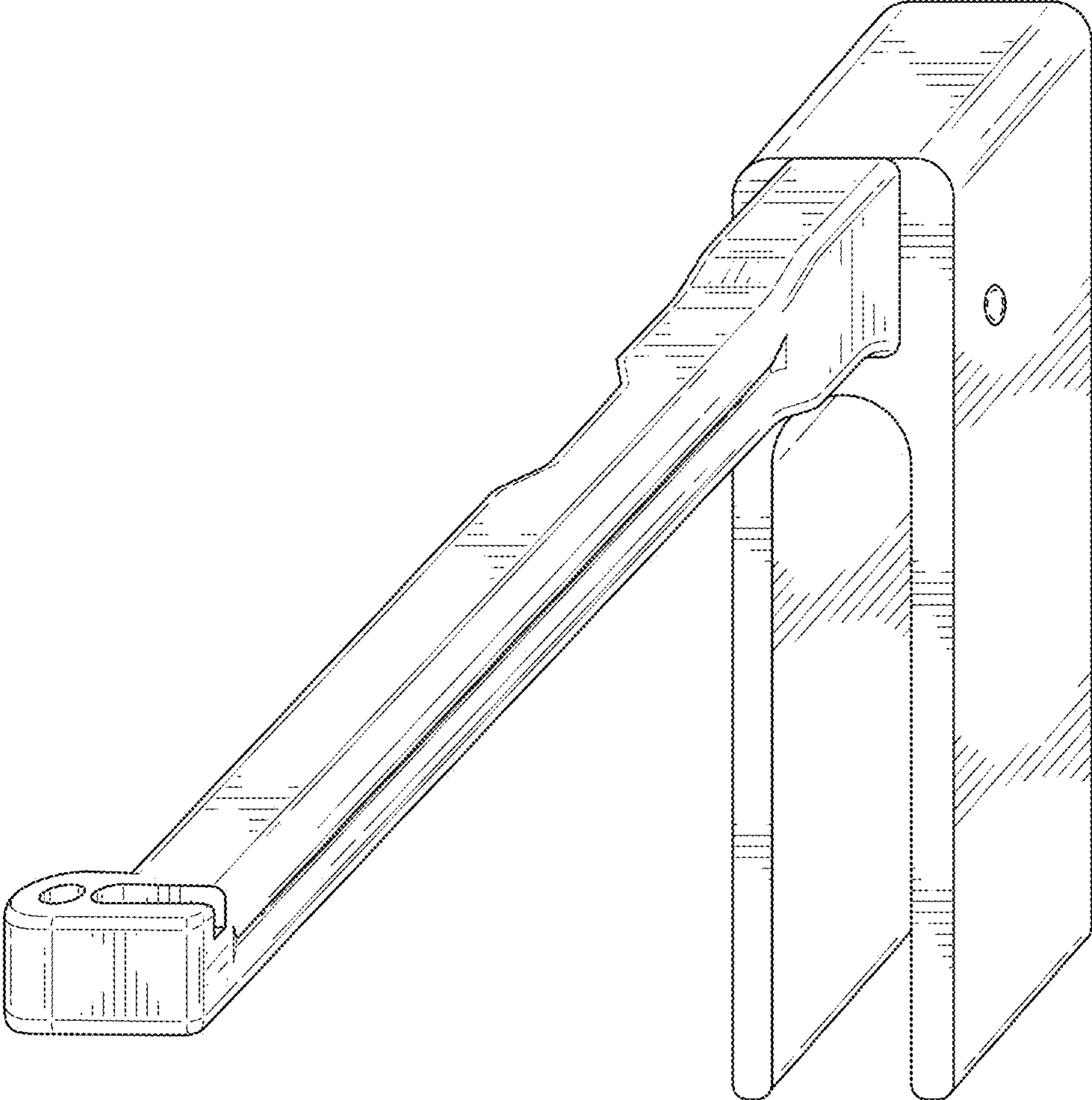


FIG. 1

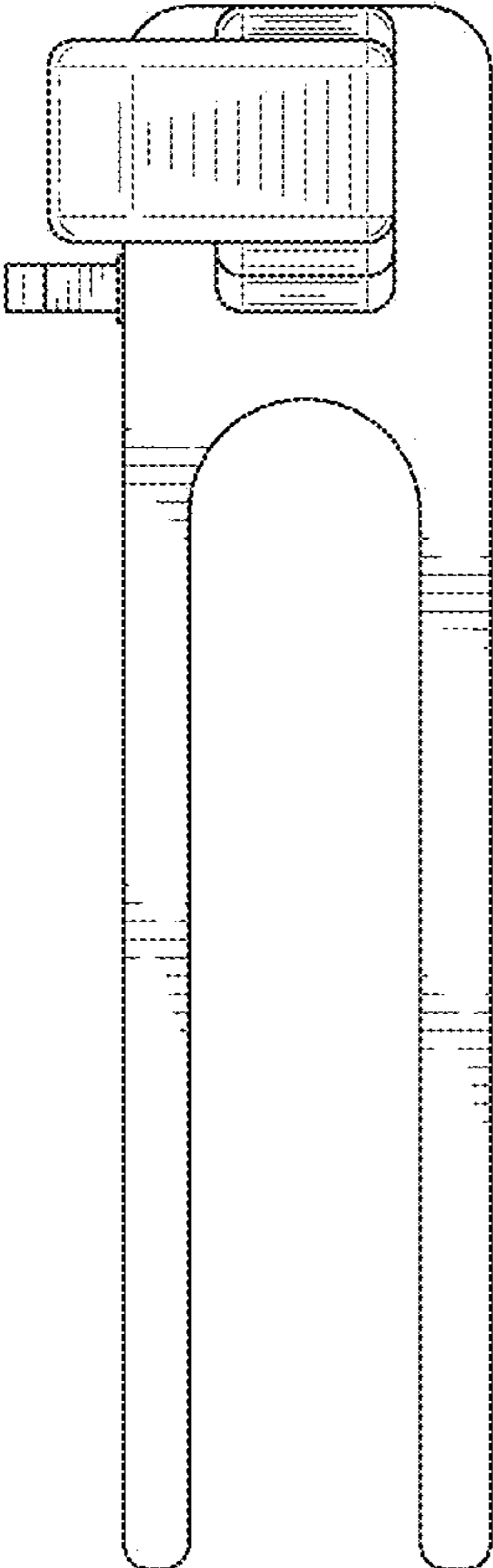


FIG. 2

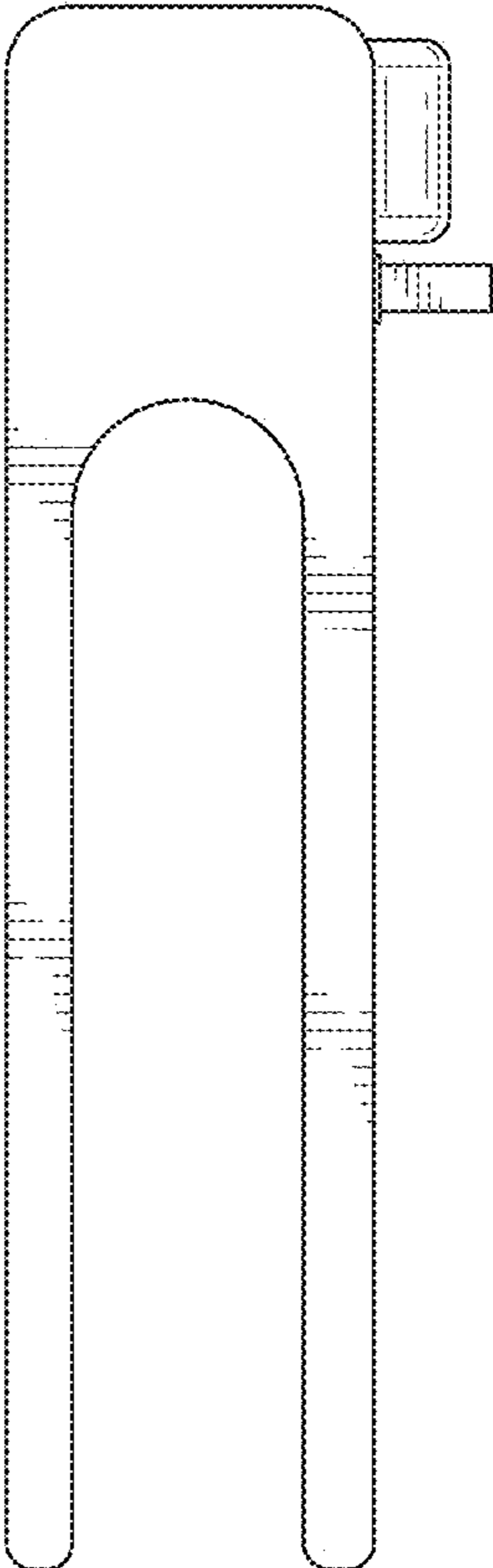


FIG. 3

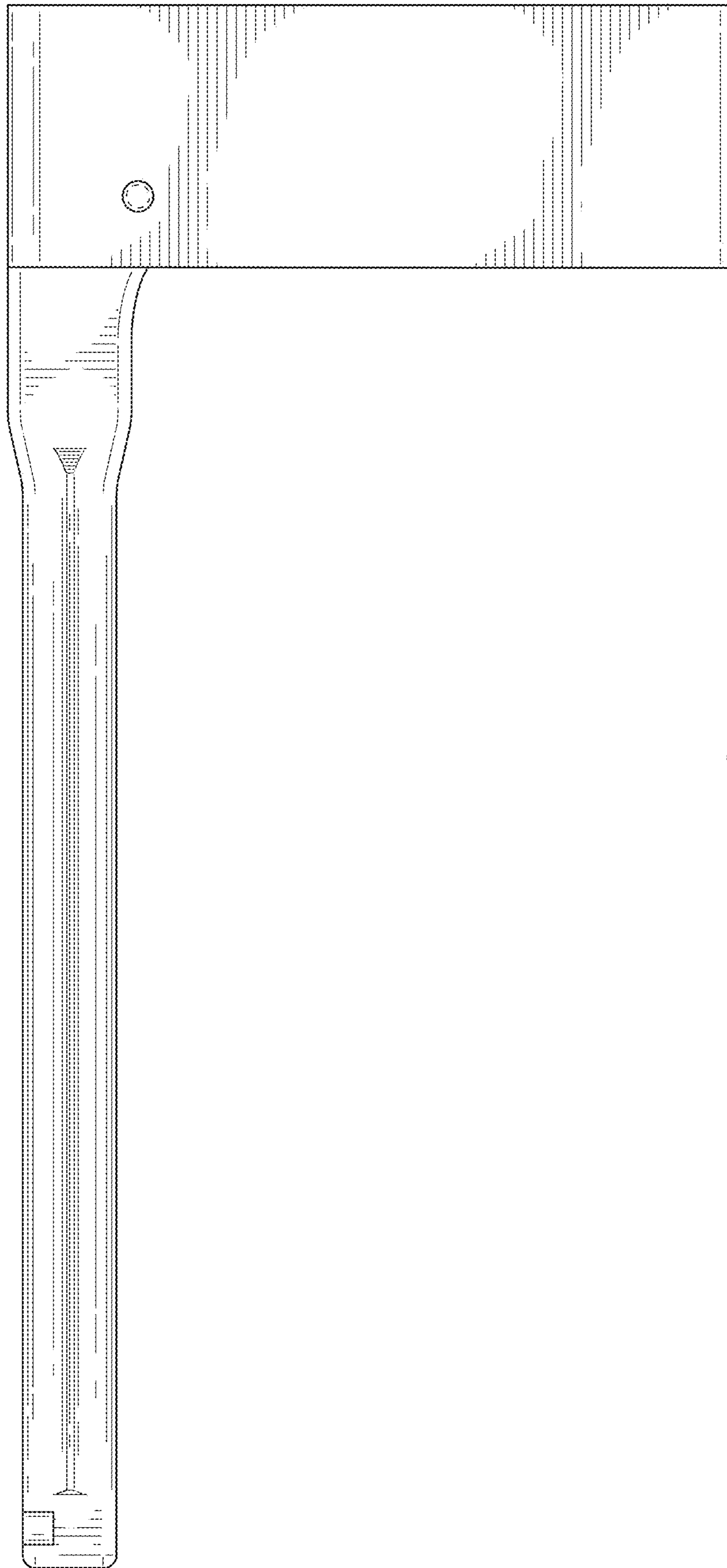


FIG. 4

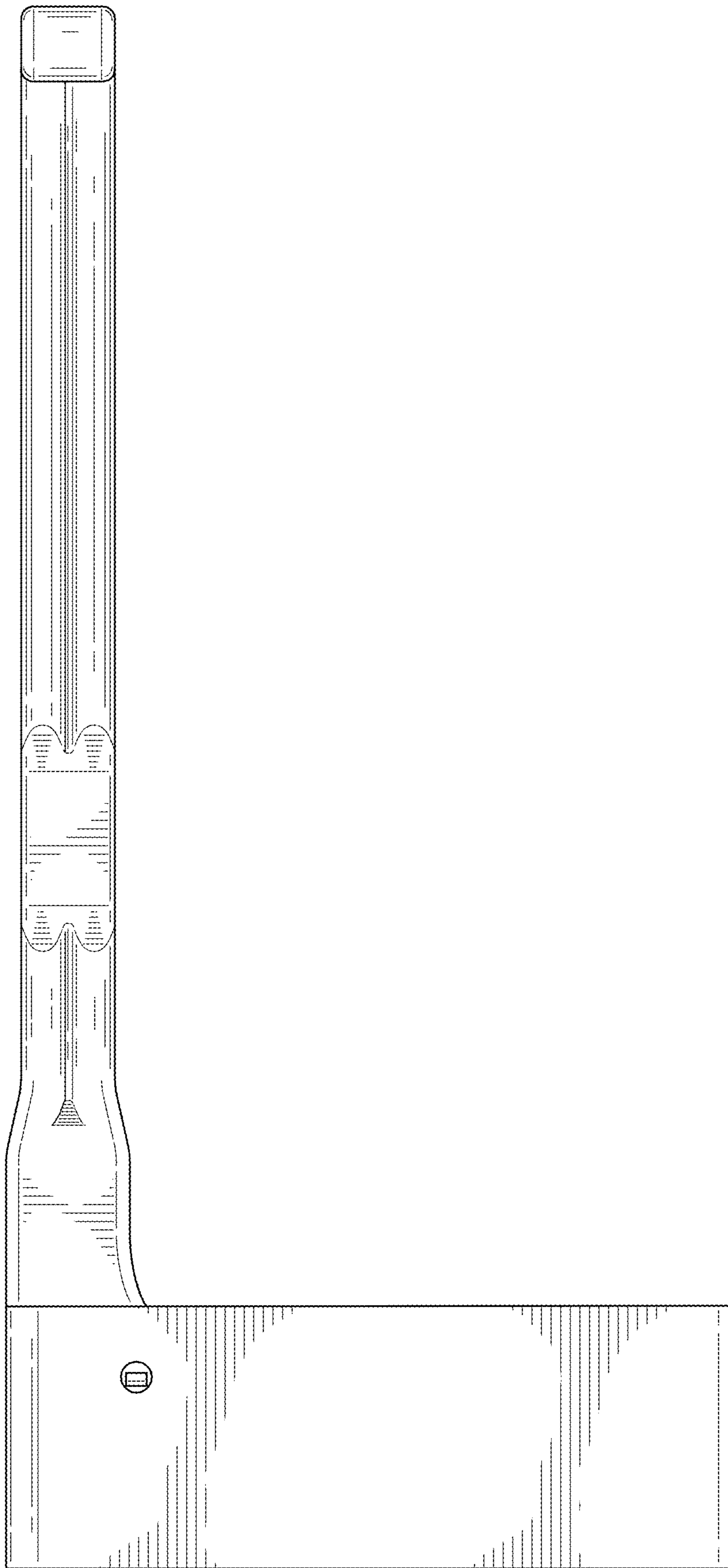


FIG. 5

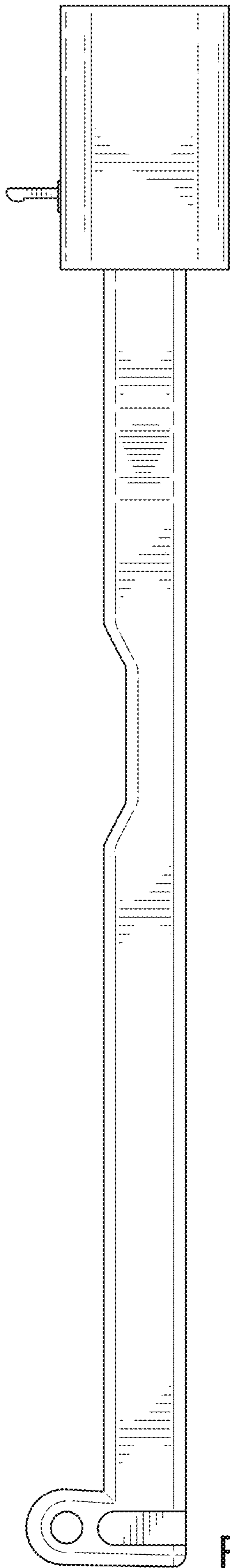


FIG. 6

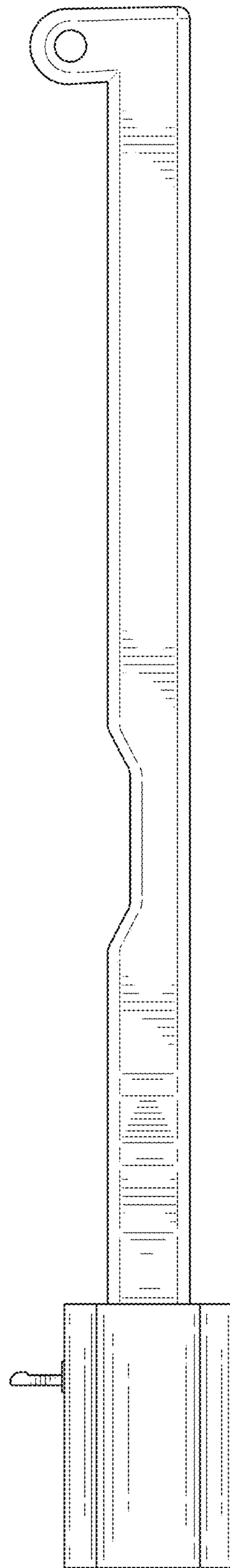


FIG. 7