



US00D900271S

(12) **United States Design Patent**  
**Faifer**

(10) **Patent No.:** **US D900,271 S**

(45) **Date of Patent:** **\*\* Oct. 27, 2020**

(54) **FOLDING GUN STOCK**

1,016,695 A 2/1912 Kimmel  
1,027,556 A 5/1912 Marshall  
1,111,905 A 9/1914 Keeran

(Continued)

(71) Applicant: **Sagi Faifer**, Mishmar Hashiva (IL)

(72) Inventor: **Sagi Faifer**, Mishmar Hashiva (IL)

*Primary Examiner* — Michael A. Pratt

(\*\*) Term: **15 Years**

(74) *Attorney, Agent, or Firm* — Law Office of Arthur M. Antonelli, PLLC

(21) Appl. No.: **29/677,436**

(57) **CLAIM**

The ornamental design for a folding gun stock, as shown and described.

(22) Filed: **Jan. 21, 2019**

(51) **LOC (12) Cl.** ..... **22-01**

**DESCRIPTION**

(52) **U.S. Cl.**

USPC ..... **D22/108**

(58) **Field of Classification Search**

USPC ..... D22/108; D21/572–573

CPC ..... F41C 23/04; F41C 23/14; F41C 23/06;

F41C 23/22; F41C 33/007

See application file for complete search history.

FIG. 1 is a perspective view of a folding gun stock in accordance with my new design, the folding gun stock being in a folded configuration;

FIG. 2 is a front, right, top perspective view thereof;

FIG. 3 is a rear, right bottom perspective view thereof;

FIG. 4 is a left side view thereof;

FIG. 5 is a front view thereof;

FIG. 6 is a rear view thereof;

FIG. 7 is a right side view thereof;

FIG. 8 is a top view thereof;

FIG. 9 is a bottom view thereof;

FIG. 10 is a perspective view of the folding gun stock in accordance with my new design, the folding gun stock being in a deployed configuration;

FIG. 11 is a front, right, top perspective view thereof;

FIG. 12 is a rear, right bottom perspective view thereof;

FIG. 13 is a left side view thereof;

FIG. 14 is a front view thereof;

FIG. 15 is a rear view thereof;

FIG. 16 is a right side view thereof;

FIG. 17 is a top view thereof; and,

FIG. 18 is a bottom view thereof.

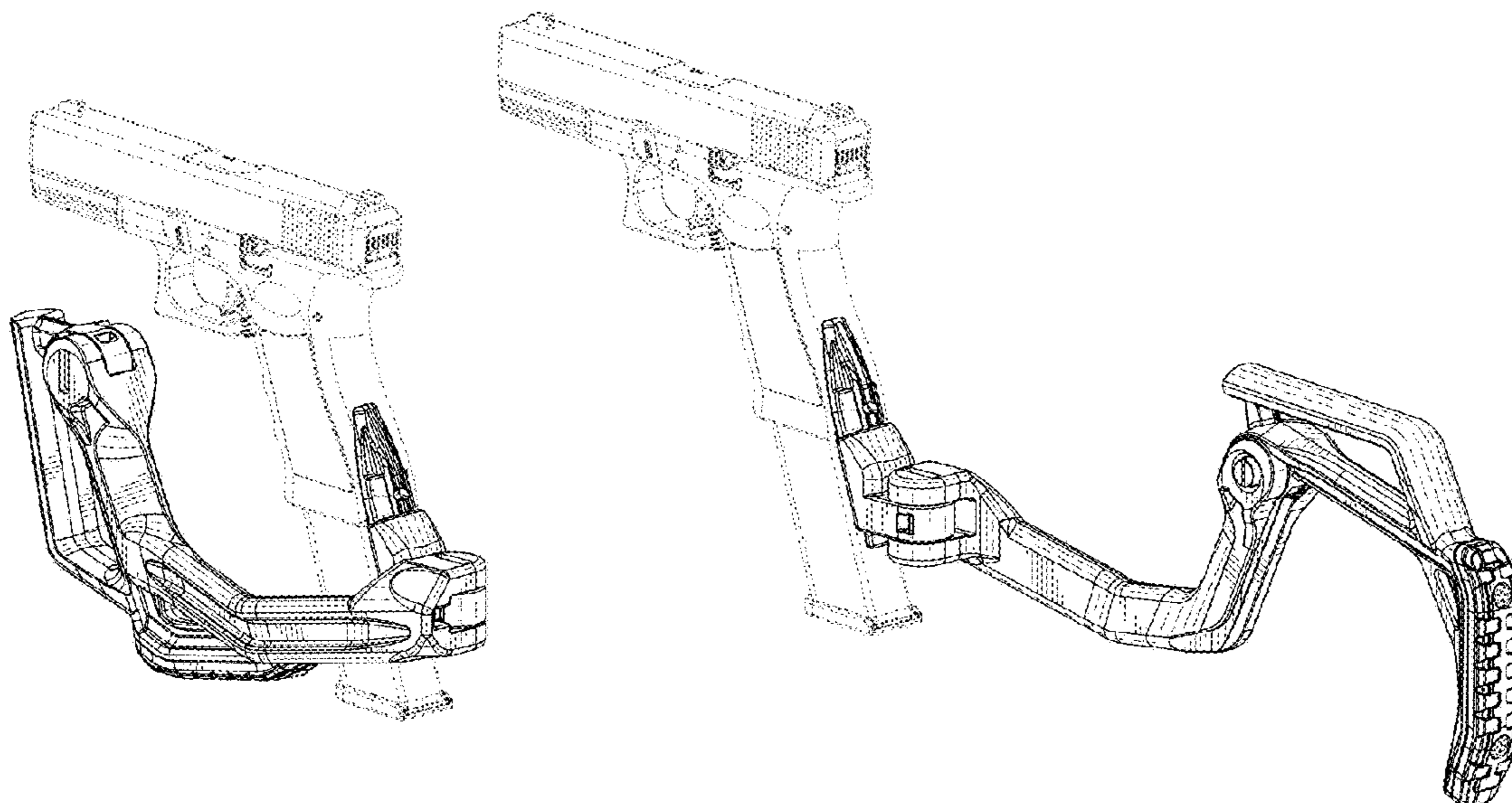
The broken lines immediately adjacent the shaded areas represent the bounds of the claimed design. All broken lines are directed to environment and are for illustrative purposes only and form no part of the claimed design.

(56) **References Cited**

**U.S. PATENT DOCUMENTS**

28,433 A	5/1860	Alsop
32,003 A	4/1861	Savage
46,365 A	2/1865	Kinman
202,946 A	4/1878	Johnson
223,926 A	1/1880	Kinney
287,741 A	10/1883	Vickers, Jr.
305,537 A	9/1884	Schwatka
461,480 A	10/1891	Kellar
517,555 A	4/1894	Reed
562,487 A	6/1896	Quackenbush
570,145 A	10/1896	Pittavino
593,890 A	11/1896	Houston
632,098 A	8/1899	Capps
681,392 A	8/1901	Fugate
723,545 A	3/1903	Phillips
815,609 A	3/1906	Martin
816,074 A	3/1906	Cole
899,617 A	9/1908	Renfors et al.
914,675 A	3/1909	Renfors
931,328 A	8/1909	Marble

**1 Claim, 10 Drawing Sheets**



(56)

References Cited

U.S. PATENT DOCUMENTS

1,150,763 A	8/1915	High	4,674,472 A	6/1987	Reis
1,195,055 A	8/1916	McNeal	4,735,007 A	4/1988	Gal
1,206,234 A	11/1916	Lovell	4,735,008 A	4/1988	Williams
1,222,264 A	4/1917	Cabanne	4,788,785 A	12/1988	White
1,260,285 A	3/1918	Cordell	4,790,095 A	12/1988	Campos
1,266,632 A	5/1918	Sachs	4,833,970 A	5/1989	Wilhelm
1,266,633 A	5/1918	Sachs	4,843,749 A	7/1989	Griffith
1,276,572 A	8/1918	Rodgers	4,858,359 A	8/1989	Danz
1,283,015 A	10/1918	Yung	4,989,358 A	2/1991	Aronson et al.
1,315,215 A	9/1919	Davidson	5,004,444 A	4/1991	Chih
1,340,127 A	5/1920	Welch	5,018,294 A	5/1991	McGuffee
1,367,996 A	2/1921	Sussman	5,056,253 A	10/1991	Willumsen
1,371,899 A	3/1921	Jenks et al.	5,092,070 A	3/1992	Perkins
1,452,123 A	4/1923	McCrudden	5,180,874 A	1/1993	Troncoso, Jr.
1,477,445 A	12/1923	Petritsch	5,351,428 A	10/1994	Graham
1,497,794 A	6/1924	Saunders	5,379,179 A	1/1995	Graves
1,519,123 A	12/1924	Edwards	5,445,479 A	8/1995	Hillinger
1,554,556 A	9/1925	Camus	5,479,736 A	1/1996	Forrester
1,557,865 A	10/1925	Neel et al.	5,528,846 A	6/1996	Baggett
1,569,901 A	1/1926	Viridin	5,761,842 A	6/1998	Mantymaa
1,606,609 A	11/1926	Wheeler, Jr.	5,778,588 A	7/1998	Allen, III et al.
1,680,186 A	8/1928	Von Frommer	5,778,589 A	7/1998	Teague
1,877,016 A	9/1932	Munson	5,819,461 A	10/1998	Killian
2,139,691 A	12/1938	Michal, Jr.	D400,954 S	11/1998	Ealovega
2,293,128 A	8/1942	Fortin	5,852,253 A	12/1998	Baricos et al.
2,424,194 A	7/1947	Sampson et al.	D411,280 S	6/1999	Van Ek et al.
2,433,151 A	12/1947	Parsons	5,924,233 A	7/1999	Strobel
2,439,137 A	4/1948	Keller	5,930,931 A	8/1999	Watson
2,441,487 A	5/1948	Howard	6,016,620 A	1/2000	Morgan
2,456,280 A	12/1948	Humeston	6,055,760 A	5/2000	Cuson et al.
2,495,977 A	1/1950	Madsen	6,070,809 A	6/2000	Price
2,539,008 A	1/1951	Brookhyser	6,112,448 A	9/2000	Gray et al.
2,611,204 A	9/1952	Robinson, Jr.	6,161,741 A	12/2000	French
2,683,948 A	7/1954	Catron	6,250,009 B1	6/2001	Leontuk
2,789,742 A	4/1957	De Salvo	6,267,335 B1	7/2001	Barrett
2,873,902 A	2/1959	Decker	6,318,014 B1	11/2001	Porter
3,011,283 A	12/1961	Lunn et al.	6,324,728 B1	12/2001	Blankenheim
3,029,539 A	4/1962	Glass et al.	6,367,187 B2	4/2002	Bubits
3,100,357 A	8/1963	Tellie	6,560,911 B2	5/2003	Sharp
3,162,966 A	10/1964	La Coss	6,634,128 B1	10/2003	Vastag
3,184,877 A	5/1965	Andrews	6,678,986 B2	1/2004	Roush
3,200,528 A	8/1965	Christensen	6,729,061 B1	5/2004	DeJarnette, Jr.
3,209,481 A	10/1965	Gilbert	6,789,344 B2	9/2004	Cain
3,369,316 A	2/1968	Miller	6,829,856 B1	12/2004	Moorman
3,388,494 A	6/1968	Kimball	6,920,713 B1	7/2005	Love
D212,219 S	9/1968	Crouch	7,028,427 B2	4/2006	Crawford
D212,220 S	11/1968	Crouch	7,059,502 B2	6/2006	Johnson
3,442,042 A	5/1969	Gilbert	7,065,914 B1	6/2006	Wagner, II
3,553,878 A	1/1971	Canon	D537,900 S *	3/2007	Orvis ..... D22/108
3,609,902 A	10/1971	Casull	7,197,844 B2	4/2007	Benson
3,641,694 A	2/1972	Seidel et al.	7,398,616 B1	7/2008	Weir
3,648,396 A	3/1972	Smith	7,437,847 B1	10/2008	Mabry
3,685,194 A	8/1972	Coon	7,552,557 B1	6/2009	Mabry
3,740,886 A	6/1973	Canon	7,637,882 B2	12/2009	Carman, Jr. et al.
3,782,019 A	1/1974	Venturini	7,698,848 B1	4/2010	Bentley
3,793,759 A	2/1974	Deckard	D622,802 S	8/2010	Fitzpatrick et al.
3,798,818 A	3/1974	Casul	7,849,626 B2	12/2010	Fluhr
D231,828 S	6/1974	Canon	D631,122 S	1/2011	Domagtoy
3,857,323 A	12/1974	Ruger et al.	7,909,301 B2	3/2011	Faifer
3,861,273 A	1/1975	Seidel et al.	D641,062 S	7/2011	Faifer
3,977,297 A	8/1976	Orozco	7,992,336 B2	8/2011	Phillips
3,987,571 A	10/1976	Orozco	8,051,596 B1	11/2011	Thomas et al.
4,196,742 A	4/1980	Owen	8,061,072 B1	11/2011	Croze
4,271,623 A	6/1981	Beretta	8,091,264 B2	1/2012	Goertz
4,291,482 A	9/1981	Bresan	8,109,026 B1	2/2012	Bentley et al.
4,296,566 A	10/1981	Campos	8,191,301 B2	6/2012	Hatfield
D262,478 S	12/1981	Beuchat	8,205,374 B2	6/2012	Lamm
4,321,765 A	5/1982	Gillum	8,438,771 B1	5/2013	Boone
4,398,365 A	8/1983	Pokhis	8,448,366 B2	5/2013	Faifer
4,513,523 A	4/1985	Gal	D683,808 S	6/2013	Elkaim
4,515,301 A	5/1985	A'Costa	8,549,783 B2	10/2013	Marquez
4,579,037 A	4/1986	Gillum	D696,374 S	12/2013	Faifer
4,601,123 A	7/1986	Swearengen et al.	8,677,669 B1	3/2014	Vesligaj
4,640,036 A	2/1987	Gal	D706,896 S	6/2014	Bosco
4,660,311 A	4/1987	Breitfeld et al.	8,776,421 B1	7/2014	Vesligaj
			D716,406 S	10/2014	Storey
			8,869,444 B2	10/2014	Bosco
			8,887,432 B2	11/2014	Oz
			8,910,407 B2	12/2014	Singh

(56)

References Cited

U.S. PATENT DOCUMENTS

8,943,729 B2	2/2015	Williams	10,161,709 B1	12/2018	Wright
D728,724 S	5/2015	Bosco	10,627,189 B2	4/2020	Faifer
9,097,490 B2	8/2015	Tseng	2002/0007579 A1	1/2002	Bubits
9,188,406 B2	11/2015	Denbleyker	2005/0115140 A1	6/2005	Little
9,194,651 B2	11/2015	Nierenberg	2005/0235546 A1	10/2005	Wonisch et al.
D745,941 S	12/2015	Bosco et al.	2005/0262753 A1	12/2005	Lahti
9,297,613 B2	3/2016	Maentymaa	2007/0017138 A1	1/2007	Young
D753,782 S	4/2016	Vazquez et al.	2008/0060247 A1	3/2008	Thomele et al.
9,310,159 B1	4/2016	Lemoine	2009/0049731 A1	2/2009	Seuk
9,354,012 B2	5/2016	Faifer et al.	2009/0282718 A1	11/2009	Bartley
9,354,021 B2	5/2016	Bosco	2009/0277066 A1	12/2009	Burt et al.
9,395,150 B2	7/2016	Park	2010/0154272 A1	6/2010	Lamm
D764,622 S	8/2016	Bosco et al.	2011/0030258 A1	2/2011	Fiatikchi et al.
9,423,207 B2	8/2016	Hunkley	2011/0107644 A1*	5/2011	Faifer ..... F41C 23/12 42/75.02
9,441,898 B2	9/2016	Istvanovics et al.	2011/0154710 A1	6/2011	Hatfield
9,453,699 B1	9/2016	Barnett	2012/0131829 A1	5/2012	Fistikchi et al.
9,459,073 B1	10/2016	Kloeppe	2013/0167424 A1	7/2013	Nail et al.
9,500,439 B1	11/2016	Dietrich et al.	2013/0185975 A1	7/2013	Johnson
D774,618 S	12/2016	Bosco et al.	2014/0053447 A1	2/2014	Singh
9,546,843 B2	1/2017	Sroufe et al.	2014/0144061 A1	5/2014	Bosco
D780,279 S	2/2017	Bosco et al.	2014/0182181 A1	7/2014	Bosco
9,631,893 B2	4/2017	Glimer	2015/0068097 A1	3/2015	DenBleyker
D785,744 S	5/2017	Bosco et al.	2015/0247698 A1	9/2015	Bosco
9,651,335 B2	5/2017	Denbleyker	2015/0316346 A1	11/2015	Brandt
9,664,477 B1	5/2017	Reavis, III	2016/0018184 A1	1/2016	Park
D792,936 S	7/2017	Eitan et al.	2016/0146558 A1	5/2016	Kada
D792,937 S	7/2017	Eitan et al.	2016/0178315 A9	6/2016	Bosco
9,696,110 B2	7/2017	Hollis	2016/0265872 A1	9/2016	Tarazi
9,746,283 B2	8/2017	Braun	2016/0282084 A1	9/2016	Hollis
D801,467 S	10/2017	Rodgers et al.	2017/0153084 A1	6/2017	Tarazi
9,927,207 B1*	3/2018	Haugland ..... F41C 23/12	2017/0153085 A1*	6/2017	Thordsen ..... F41C 23/14
D818,556 S*	5/2018	Kedairy ..... D22/108	2017/0205189 A1	7/2017	Rodgers et al.
10,054,393 B2*	8/2018	Kedairy ..... F41C 23/04	2018/0299217 A1*	10/2018	Hedeen ..... F41A 9/62
			2019/0154397 A1*	5/2019	Holloway, II ..... F41C 23/10
			2019/0323795 A1*	10/2019	Zimmer ..... F41C 23/12

\* cited by examiner

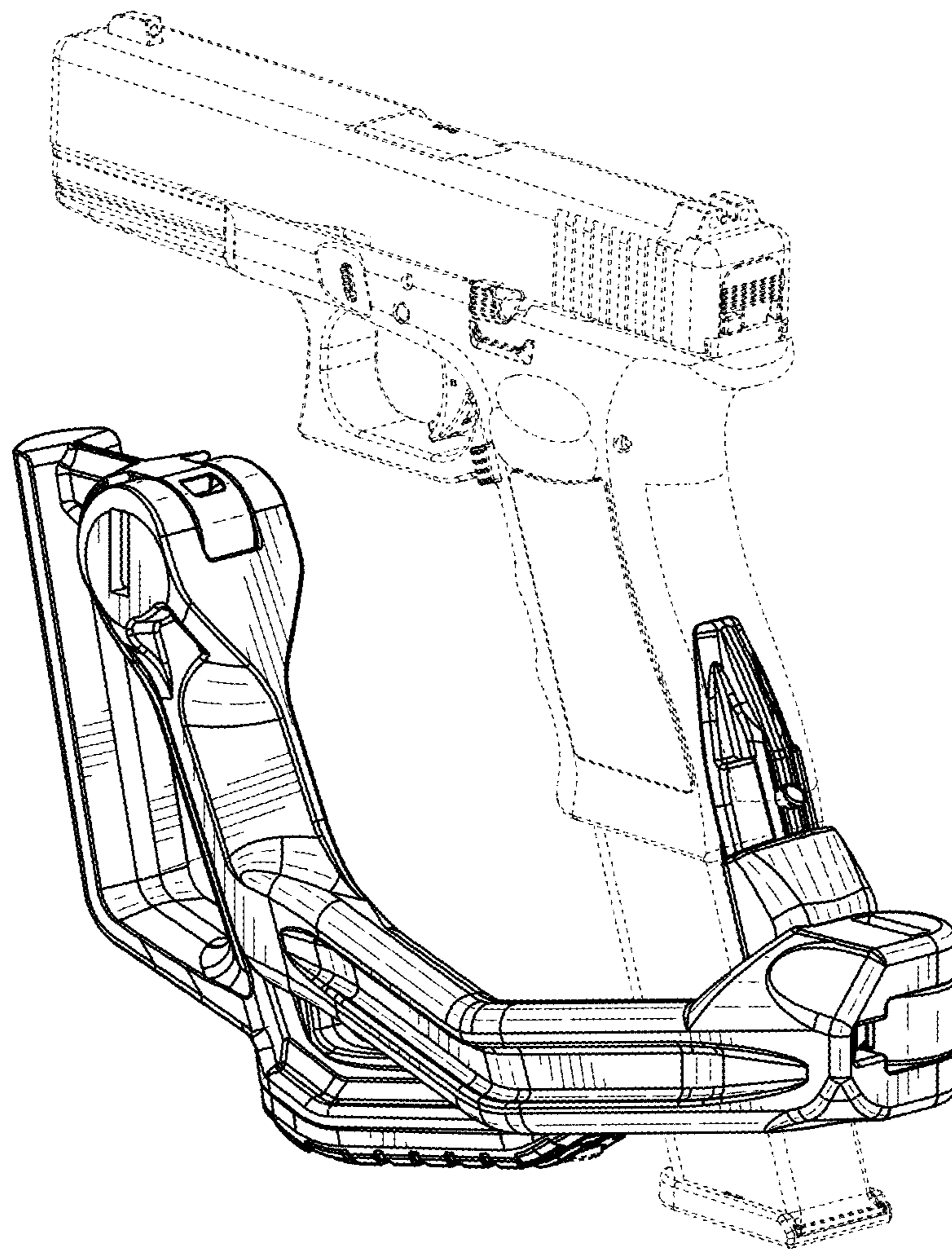


FIG. 1

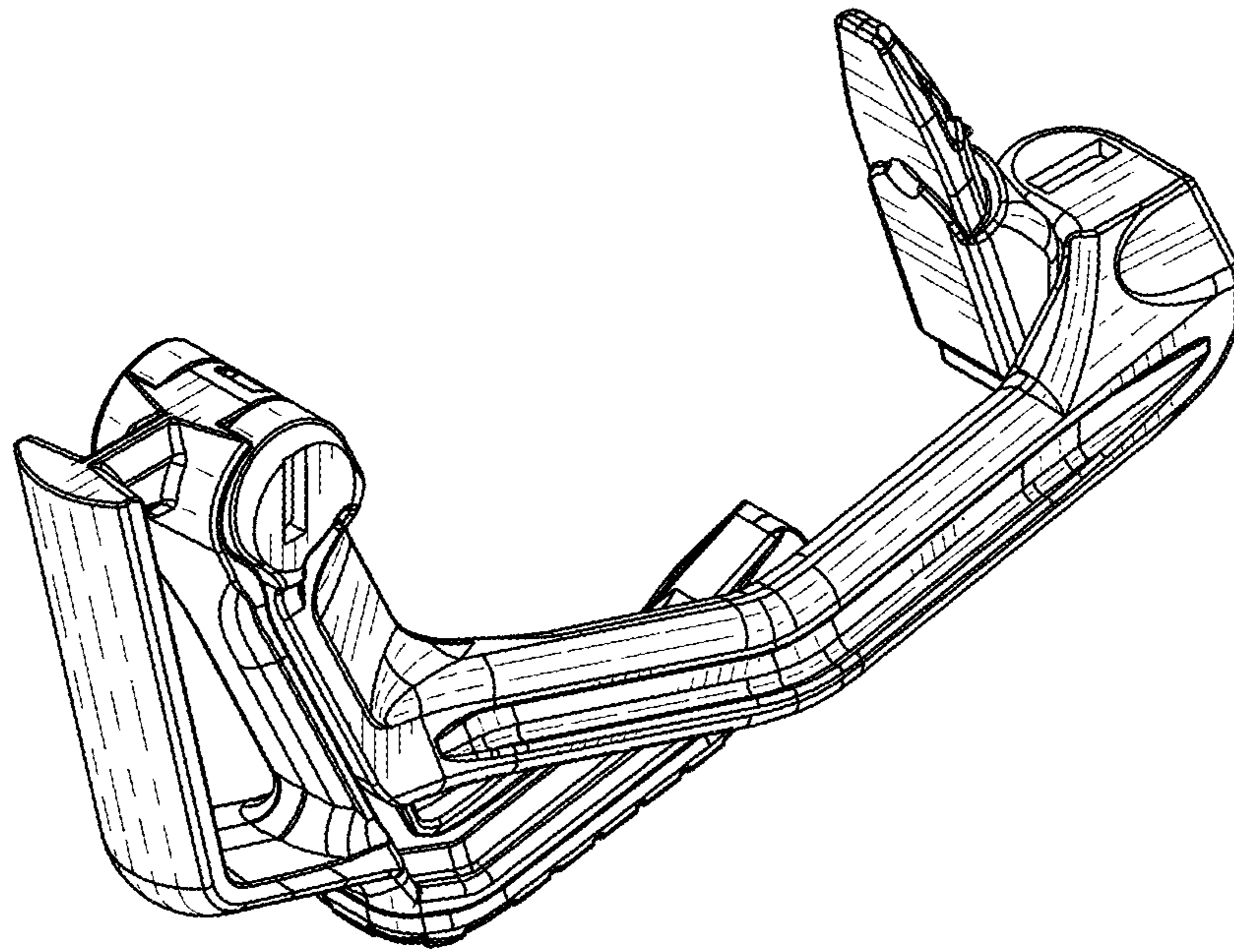


FIG. 2

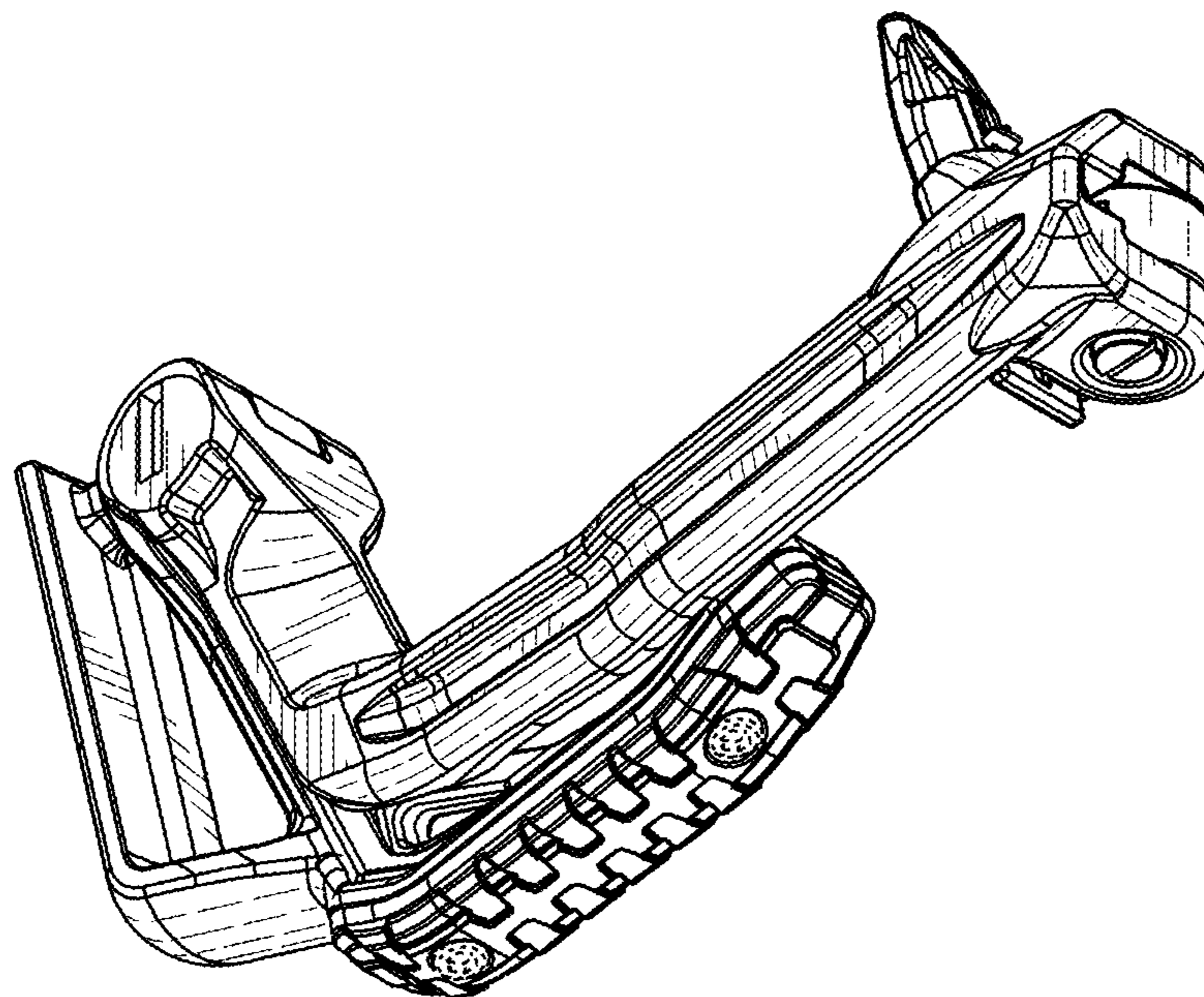


FIG. 3

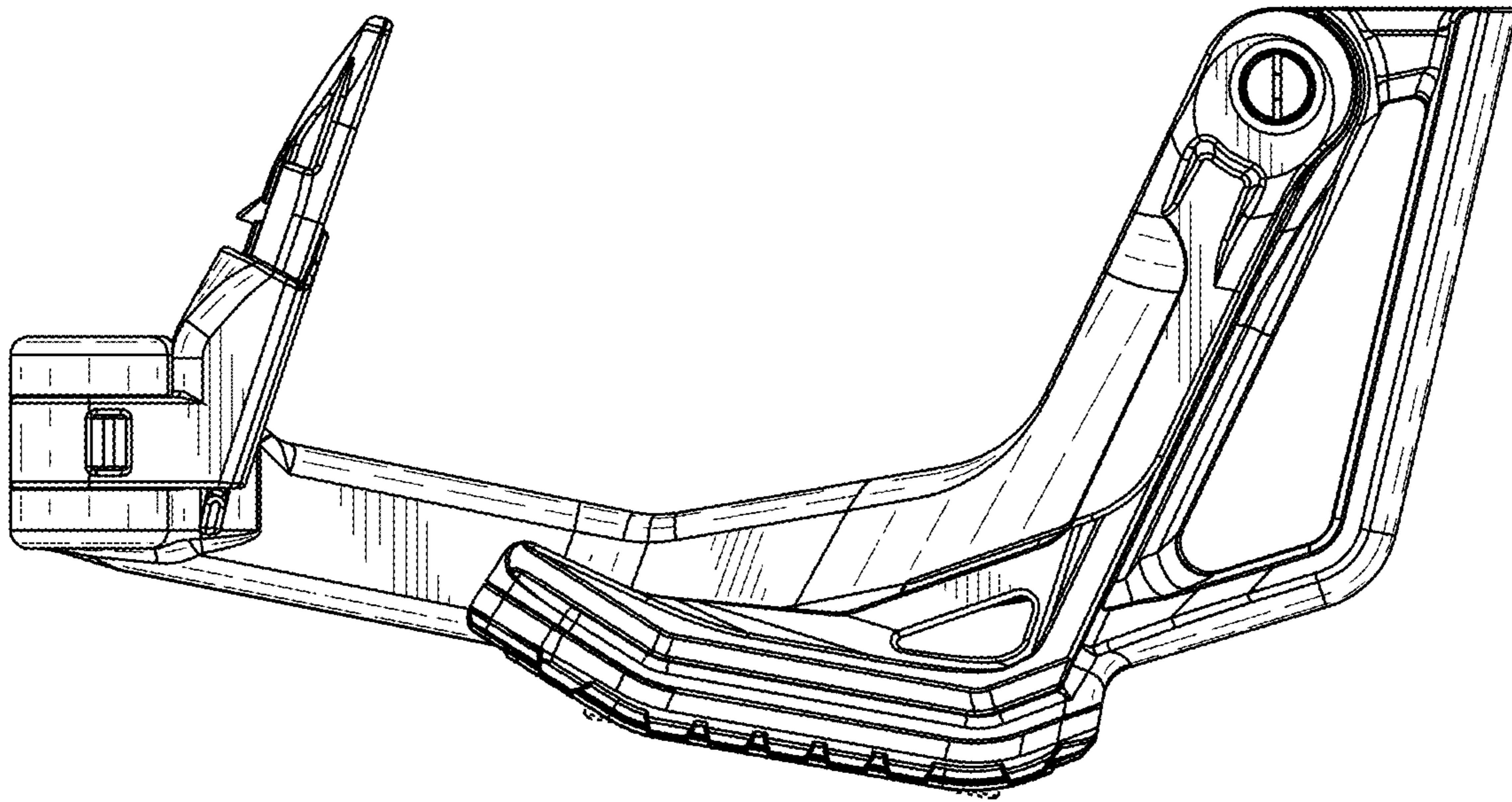


FIG. 4

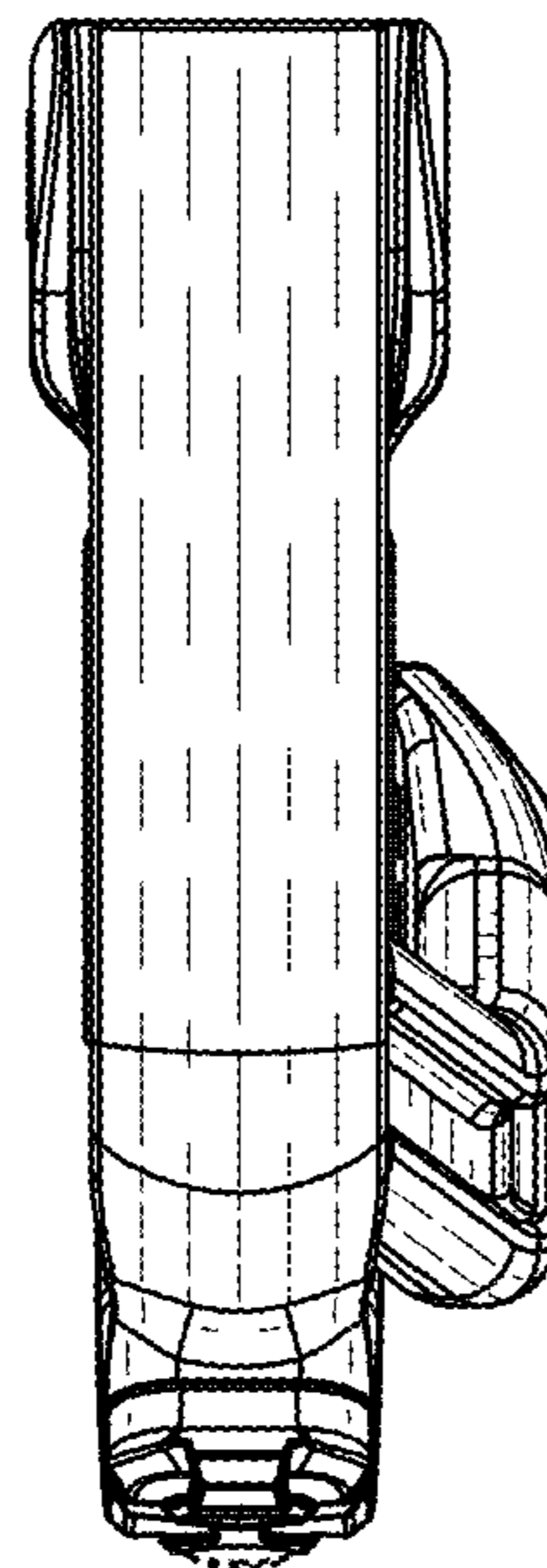


FIG. 5

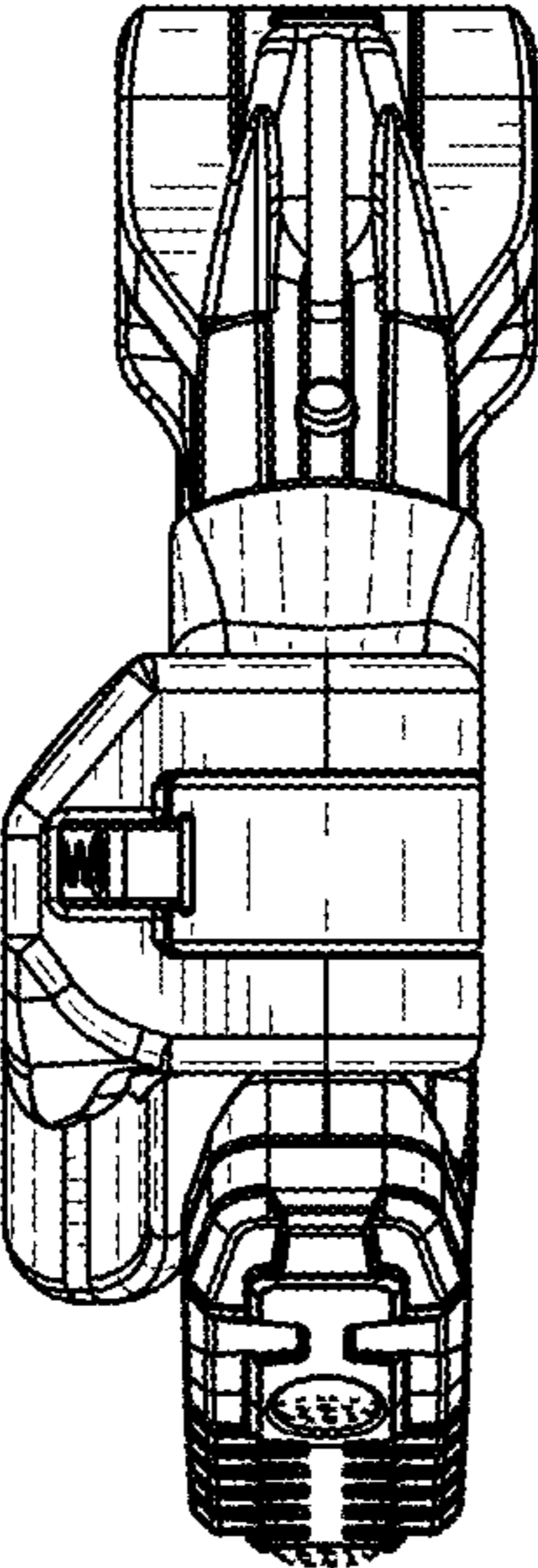


FIG. 6

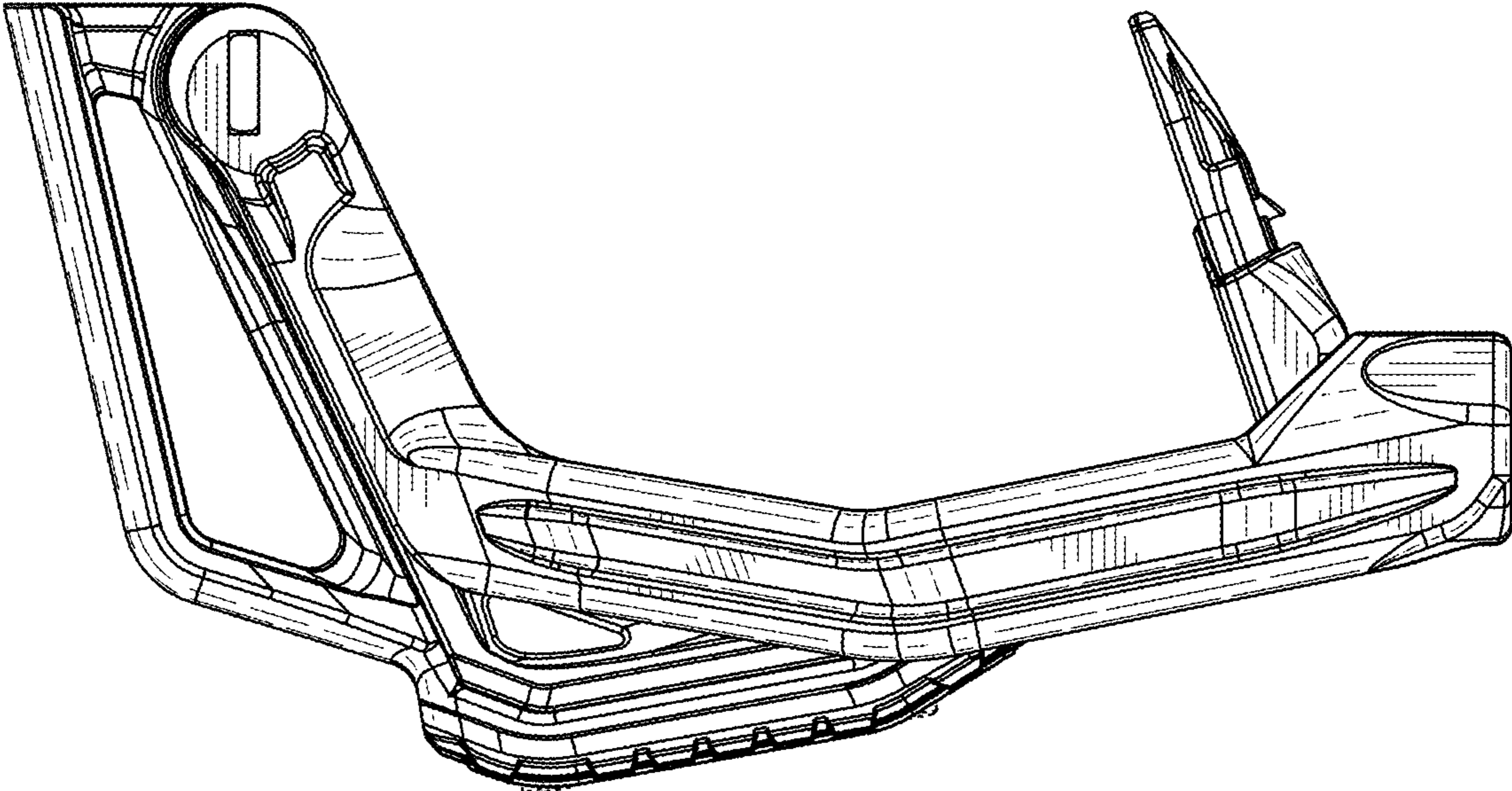


FIG. 7

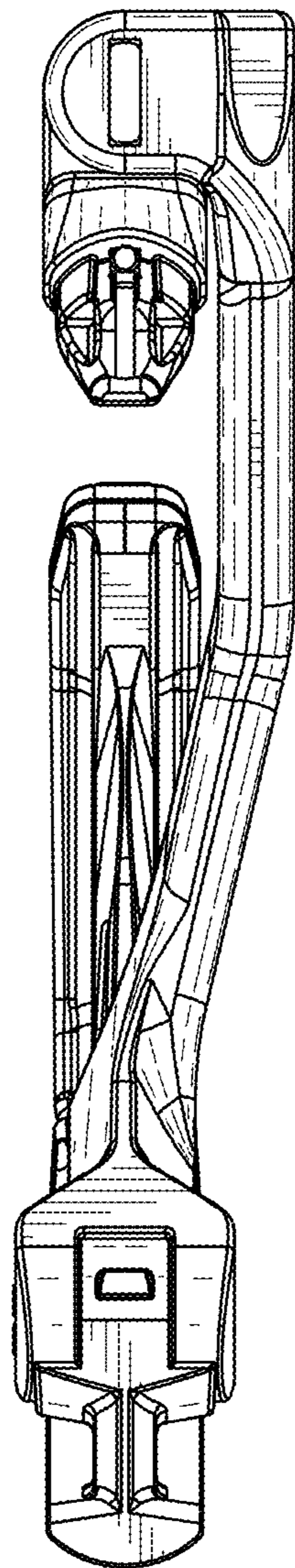


FIG. 8

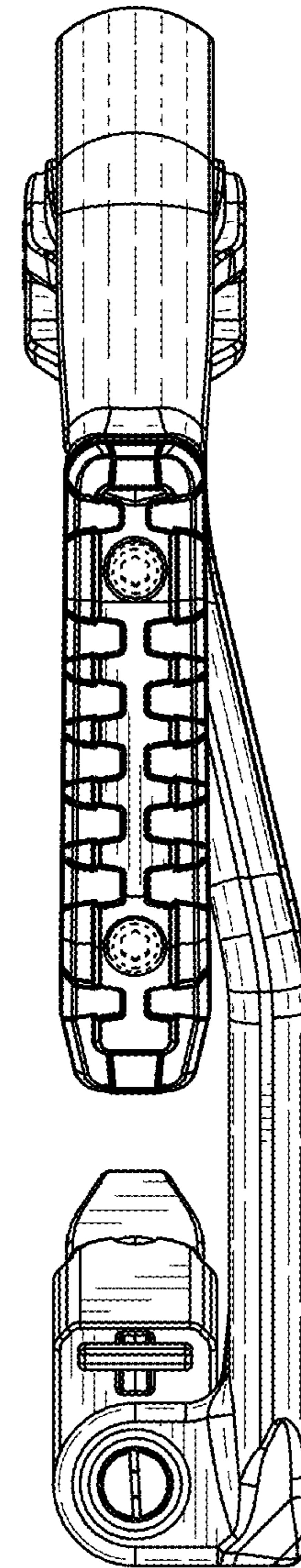


FIG. 9



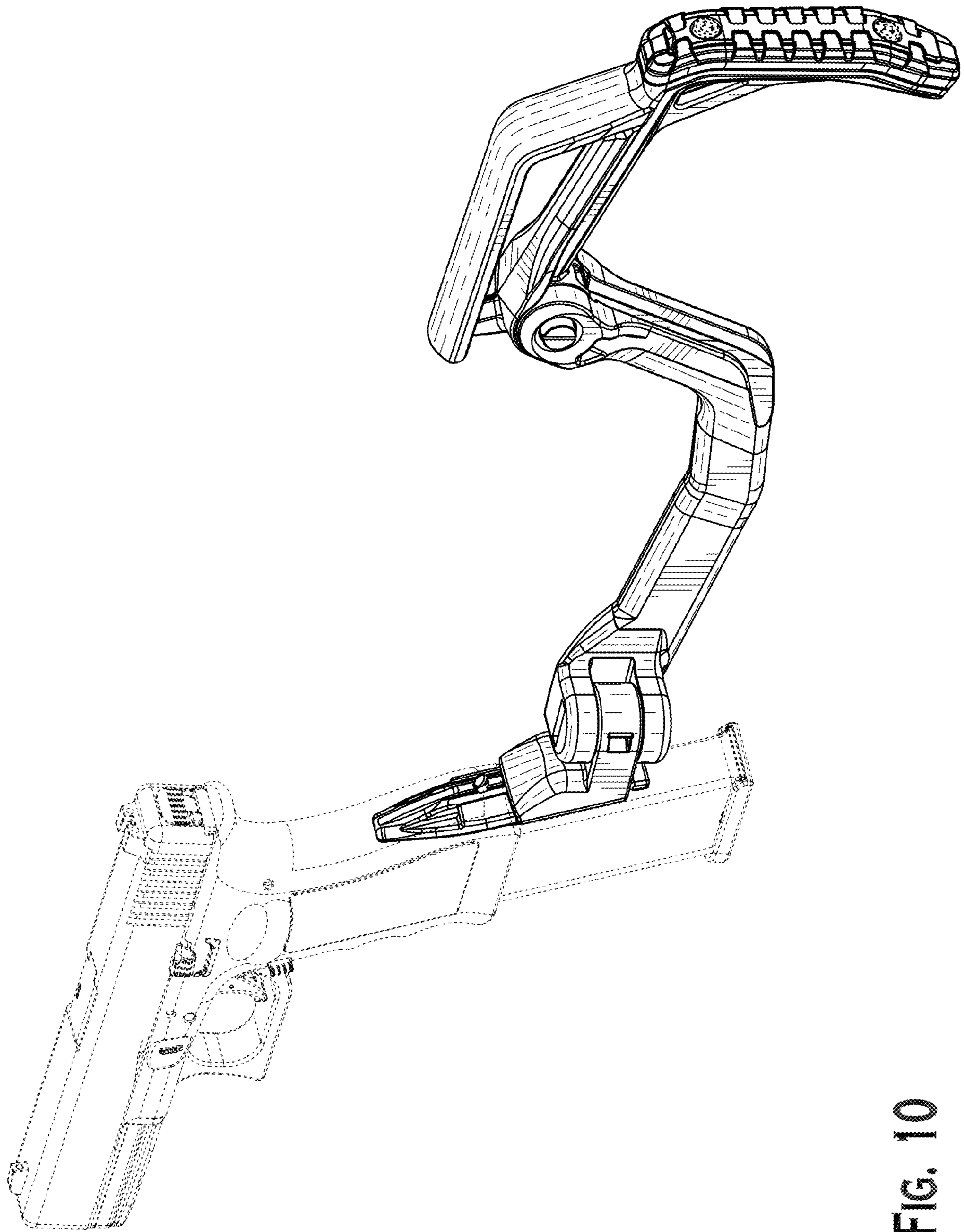


FIG. 10

FIG. 11

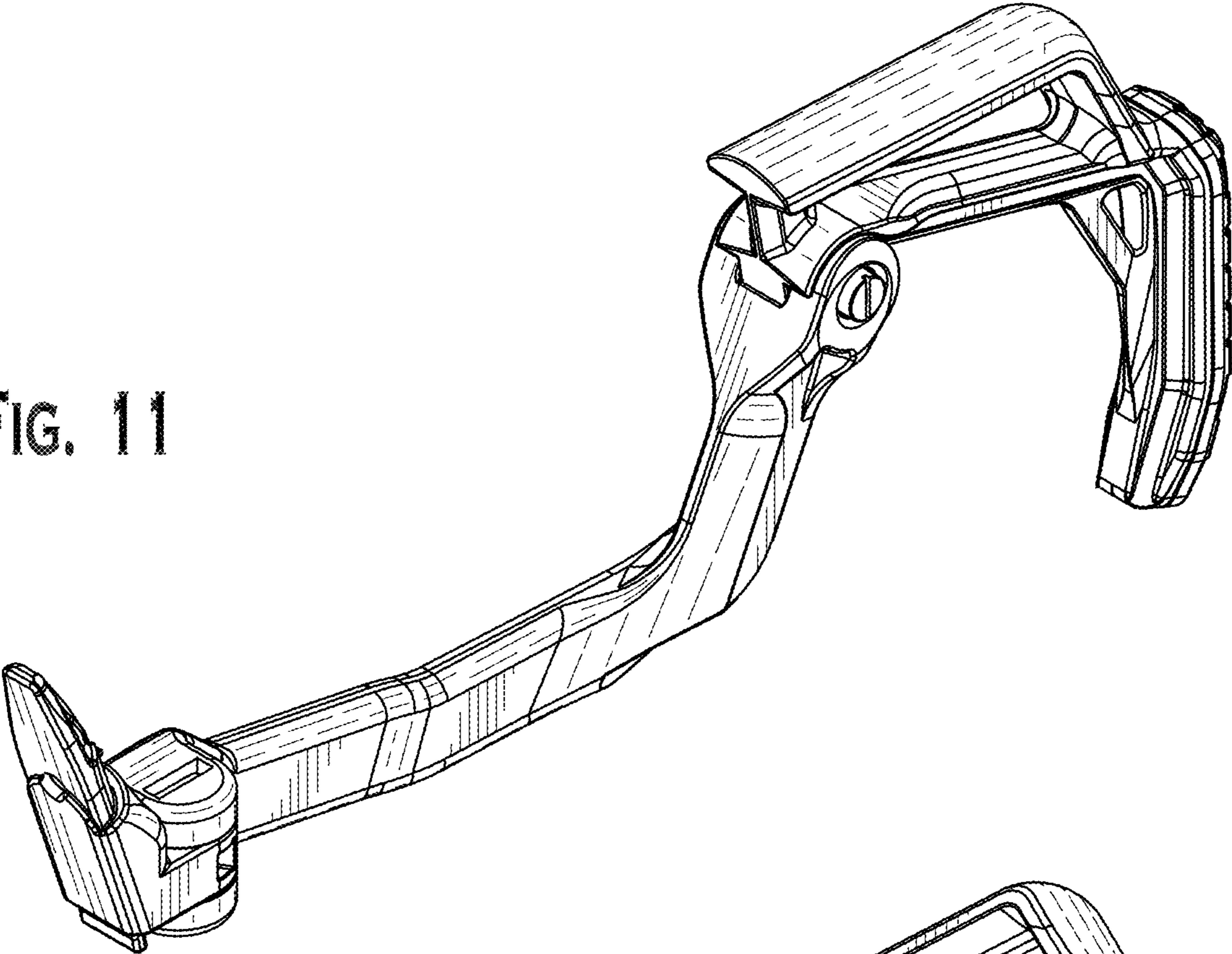
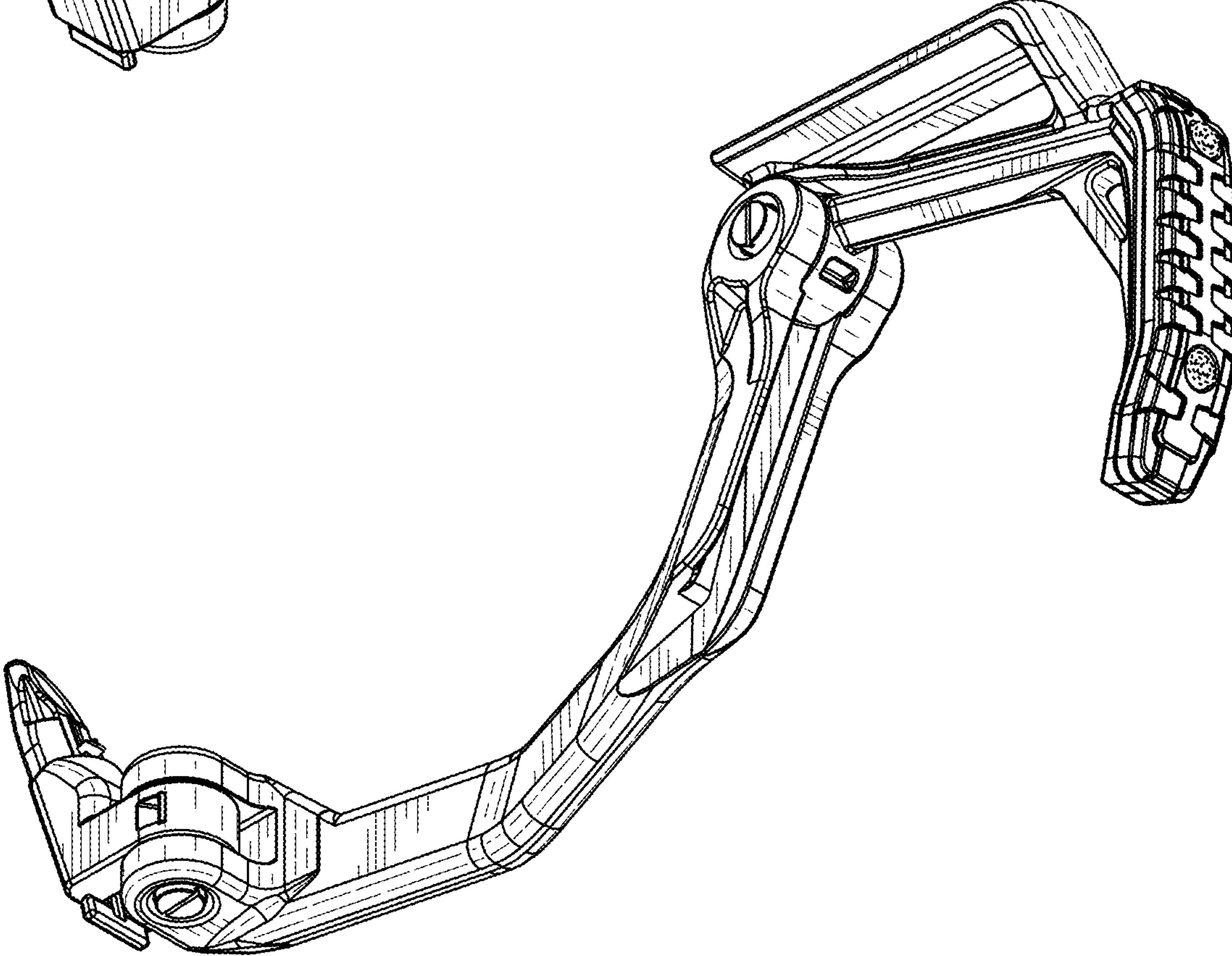


FIG. 12



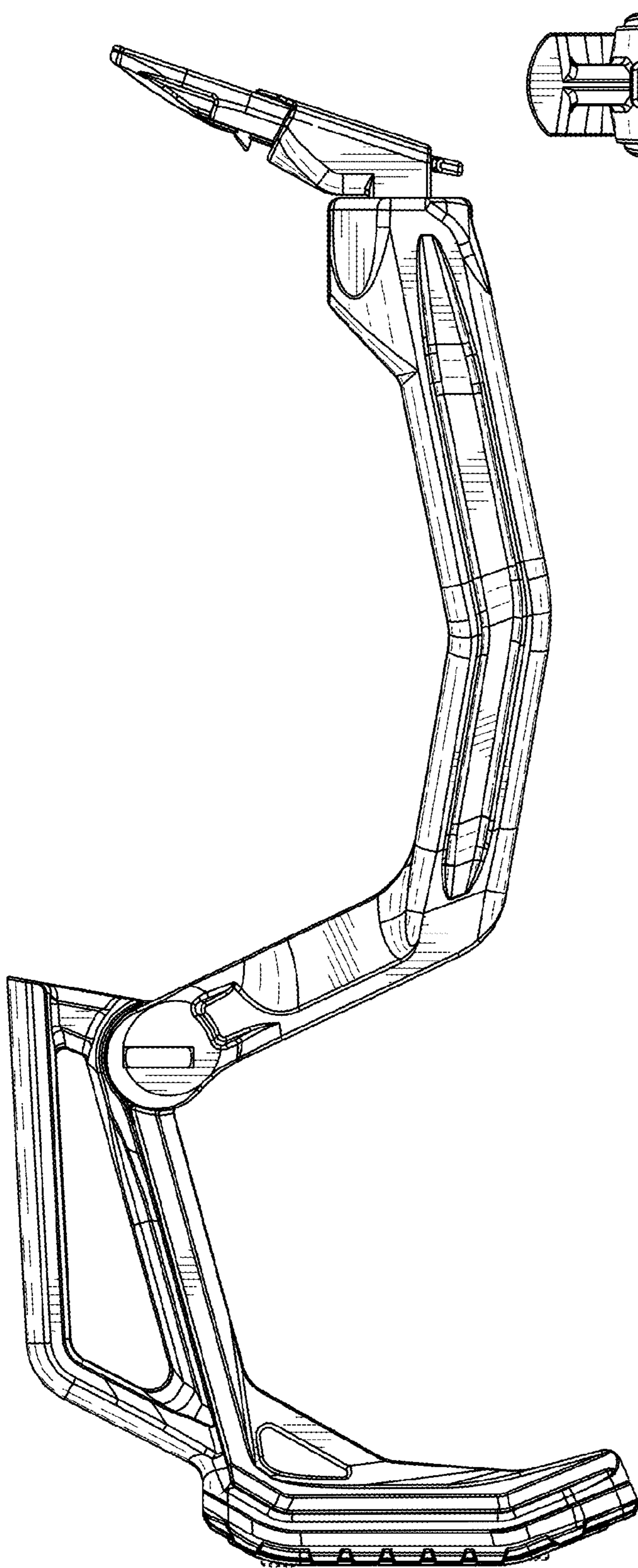


FIG. 13

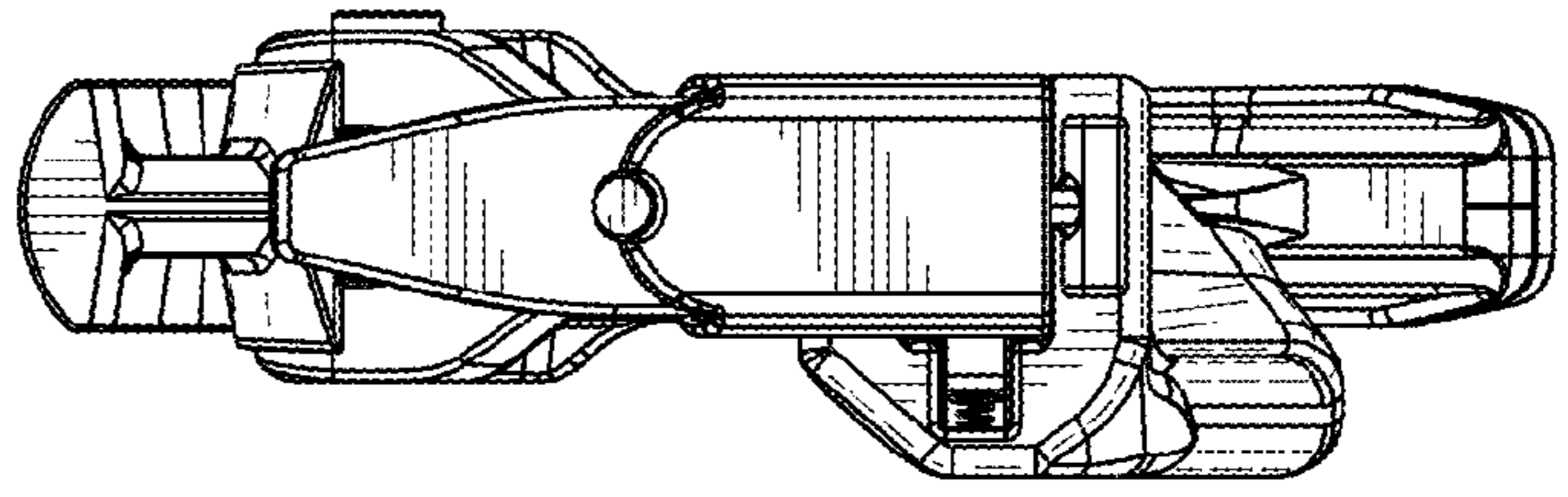


FIG. 14

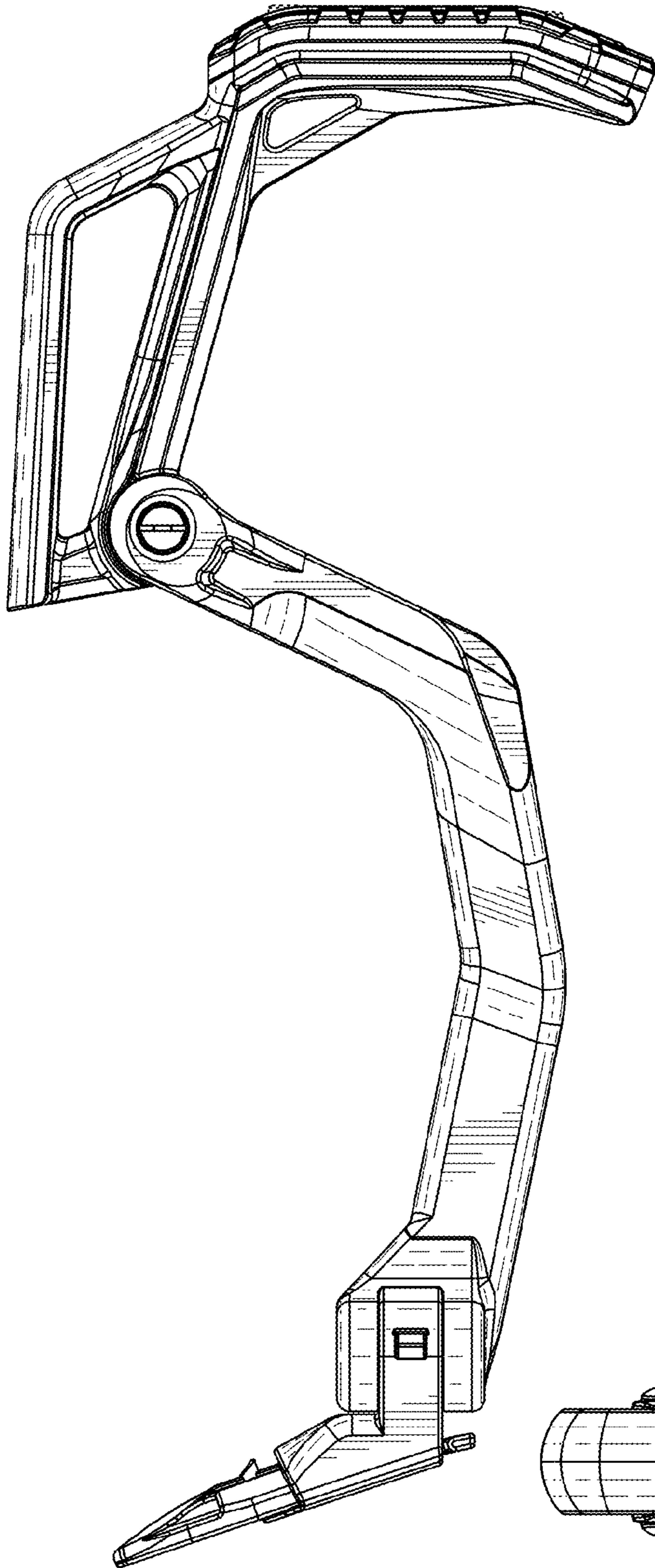


FIG. 15

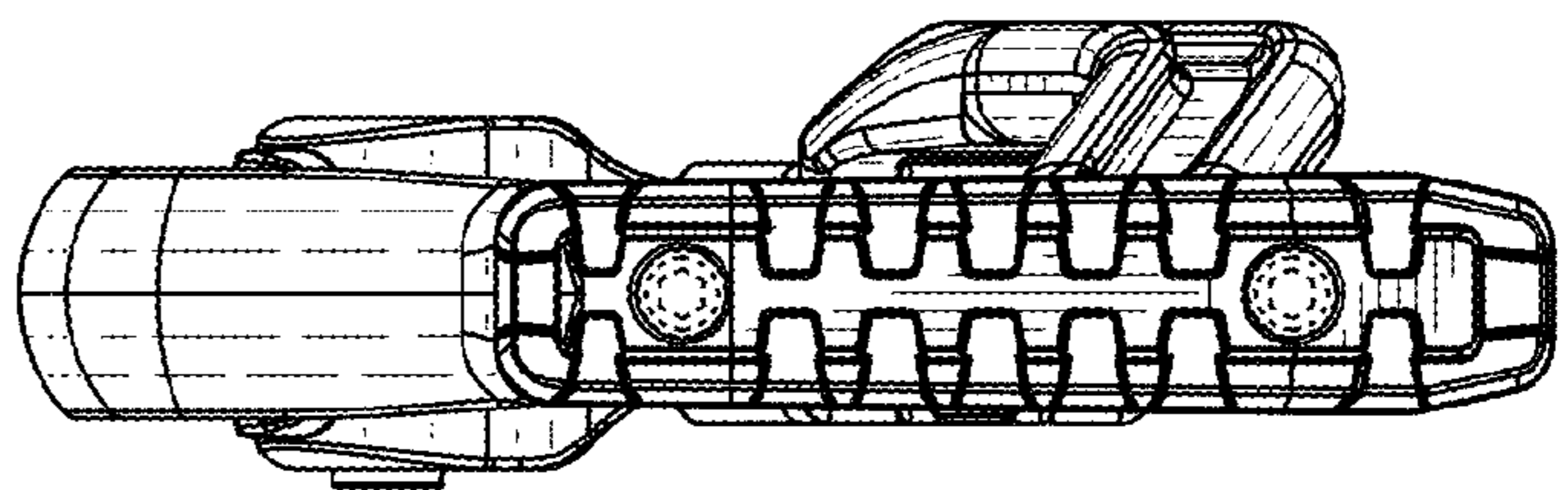


FIG. 16

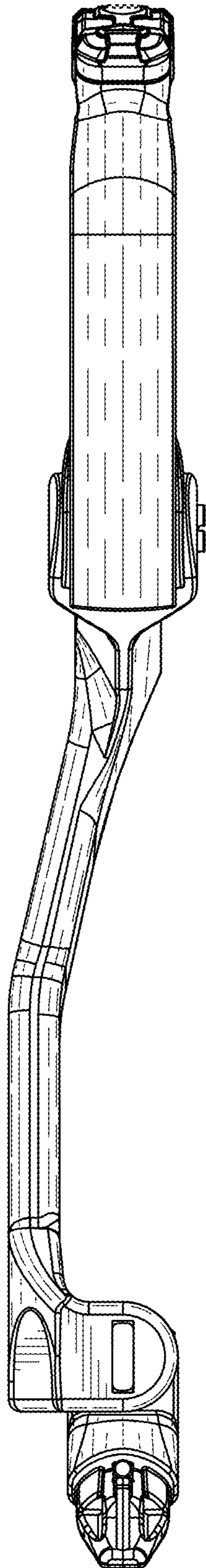


FIG. 17

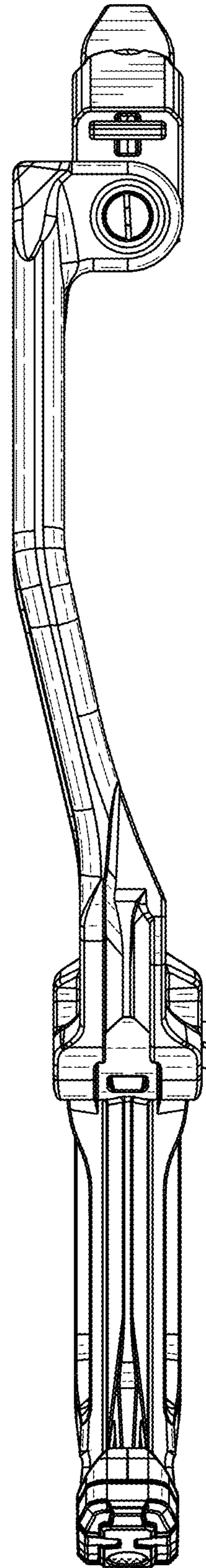


FIG. 18