



US00D900270S

(12) **United States Design Patent**
Hefer et al.

(10) **Patent No.:** **US D900,270 S**

(45) **Date of Patent:** **** Oct. 27, 2020**

(54) **KINETIC MAGAZINE LOADER**

CPC F41A 9/83; F41A 9/82
See application file for complete search history.

(71) Applicant: **Vista Outdoor Operations LLC**,
Farmington, UT (US)

(56) **References Cited**

(72) Inventors: **Brandon Thomas Hefer**, St. Louis,
MO (US); **Brandon Karl Trostrud**, St.
Louis, MO (US); **Sean Higgs**, St.
Louis, MO (US)

U.S. PATENT DOCUMENTS

(73) Assignee: **VISTA OUTDOOR OPERATIONS
LLC**, Anoka, MN (US)

D824,477 S *	7/2018	Hefer	D22/108
D836,178 S *	12/2018	Hefer	D22/108
D839,985 S *	2/2019	Sealing	D22/108
D845,424 S *	4/2019	Hefer	D22/108
D846,056 S *	4/2019	Hefer	D22/108
D851,722 S *	6/2019	Hefer	D22/108

(**) Term: **15 Years**

* cited by examiner

(21) Appl. No.: **29/673,824**

Primary Examiner — Michael A. Pratt

(22) Filed: **Dec. 18, 2018**

(74) *Attorney, Agent, or Firm* — Walter M. Egbert, III;
Gerard M. Donovan; Reed Smith LLP

Related U.S. Application Data

(57) **CLAIM**

(63) Continuation of application No. 15/983,881, filed on
May 18, 2018, now Pat. No. 10,240,878, which is a
continuation of application No. 15/685,704, filed on
Aug. 24, 2017, now Pat. No. 9,976,826, and a
continuation of application No. 29/591,048, filed on
Jan. 16, 2017, now Pat. No. Des. 851,722, and a
continuation of application No. 29/576,915, filed on
Sep. 8, 2016, now Pat. No. Des. 836,178.

We claim the ornamental design for a kinetic magazine
loader, as shown and described.

(51) **LOC (12) Cl.** **22-01**

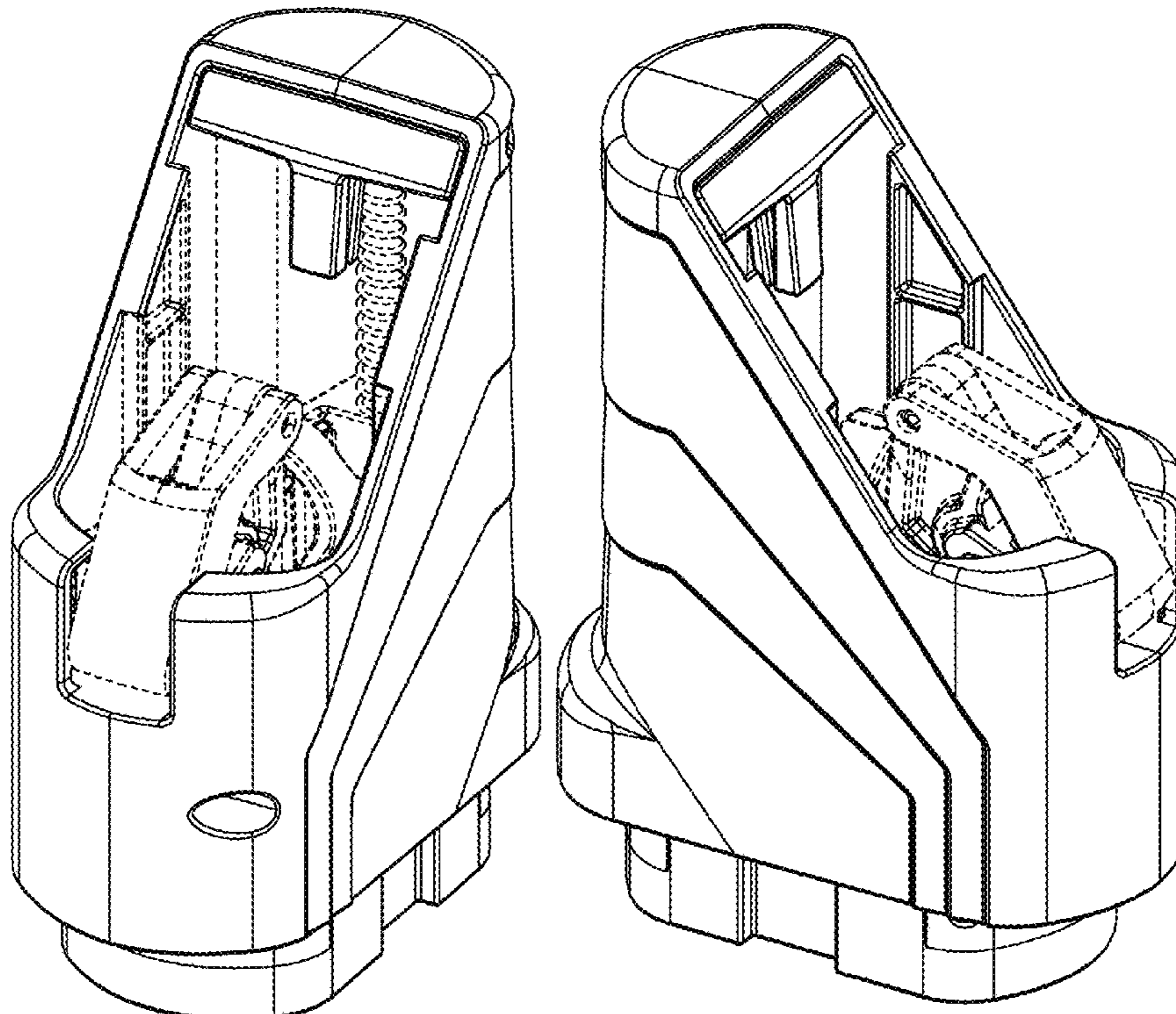
DESCRIPTION

(52) **U.S. Cl.**
USPC **D22/108**

FIG. 1 is a front, right, top perspective view of a kinetic
magazine loader showing our new design;
FIG. 2 is a rear, left side, top perspective view thereof;
FIG. 3 is a front, right, top perspective view of; and,
FIG. 4 is a rear, left side, top perspective view thereof.
The bottom of the kinetic magazine loader is not shown in
the drawing and forms no part of the claimed design.
Broken lines shown in the drawings illustrate structure or
features which form no part of the claimed design.

(58) **Field of Classification Search**
USPC D22/108

1 Claim, 4 Drawing Sheets



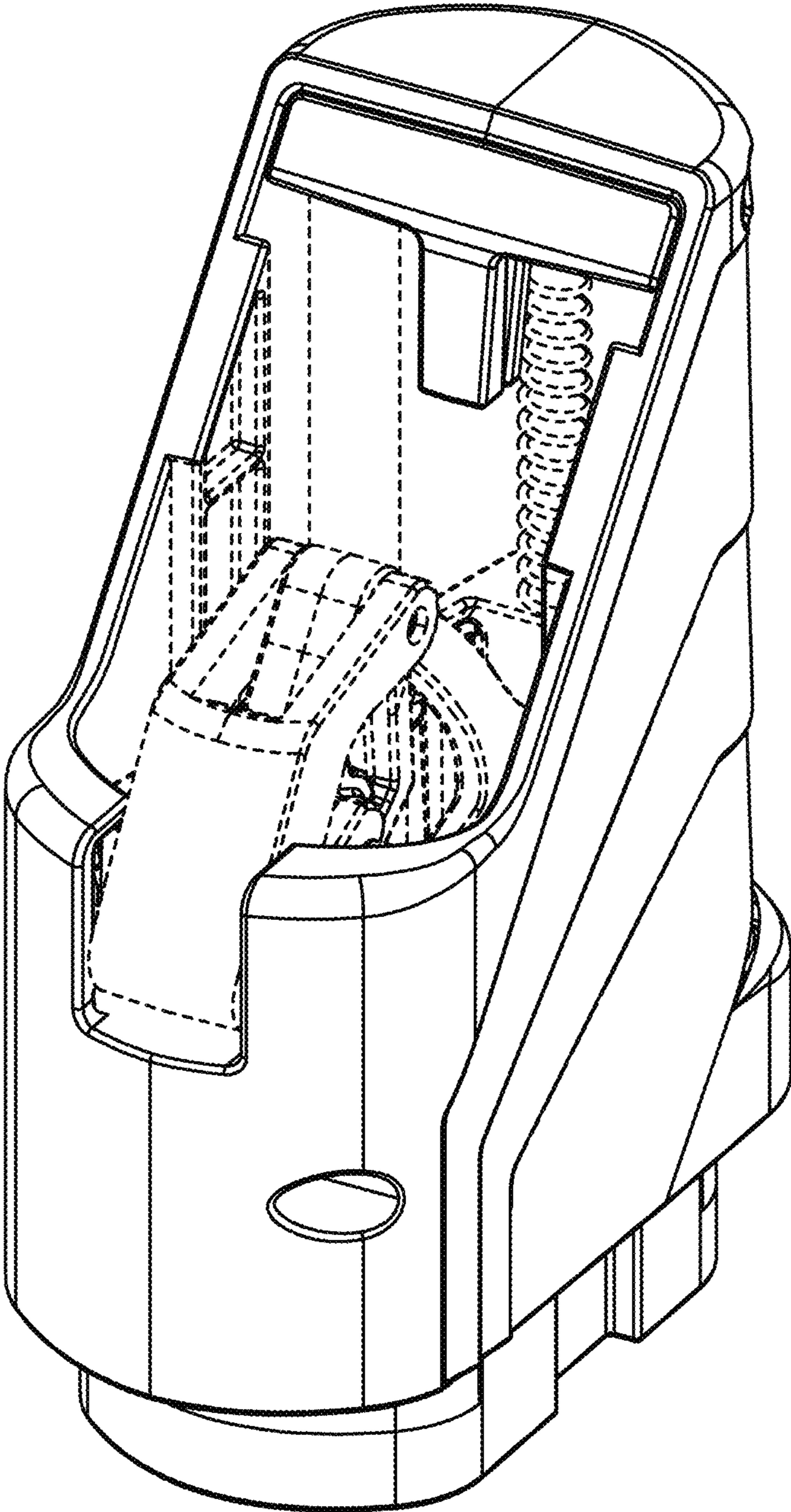


FIG. 1

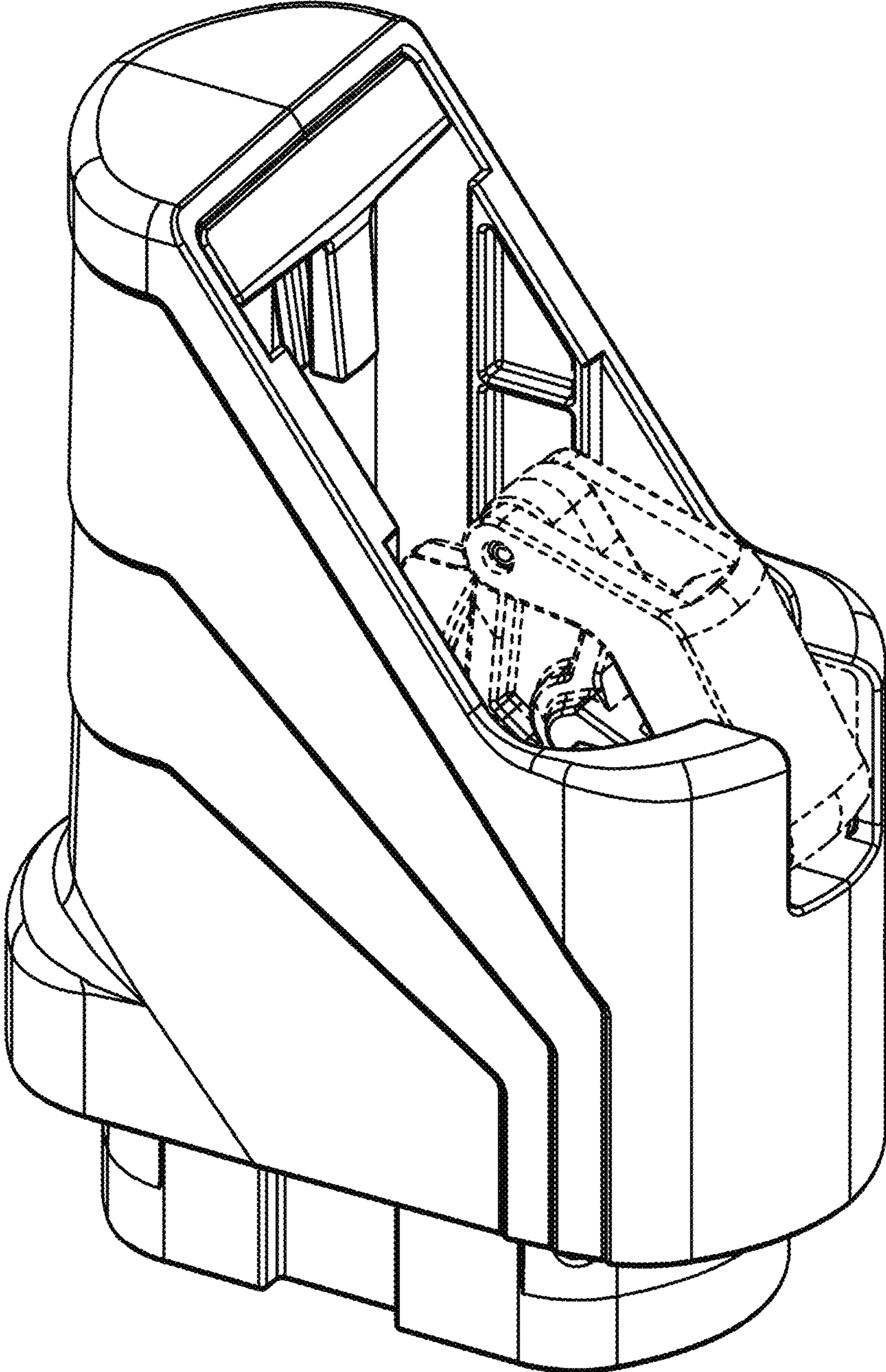


FIG. 2

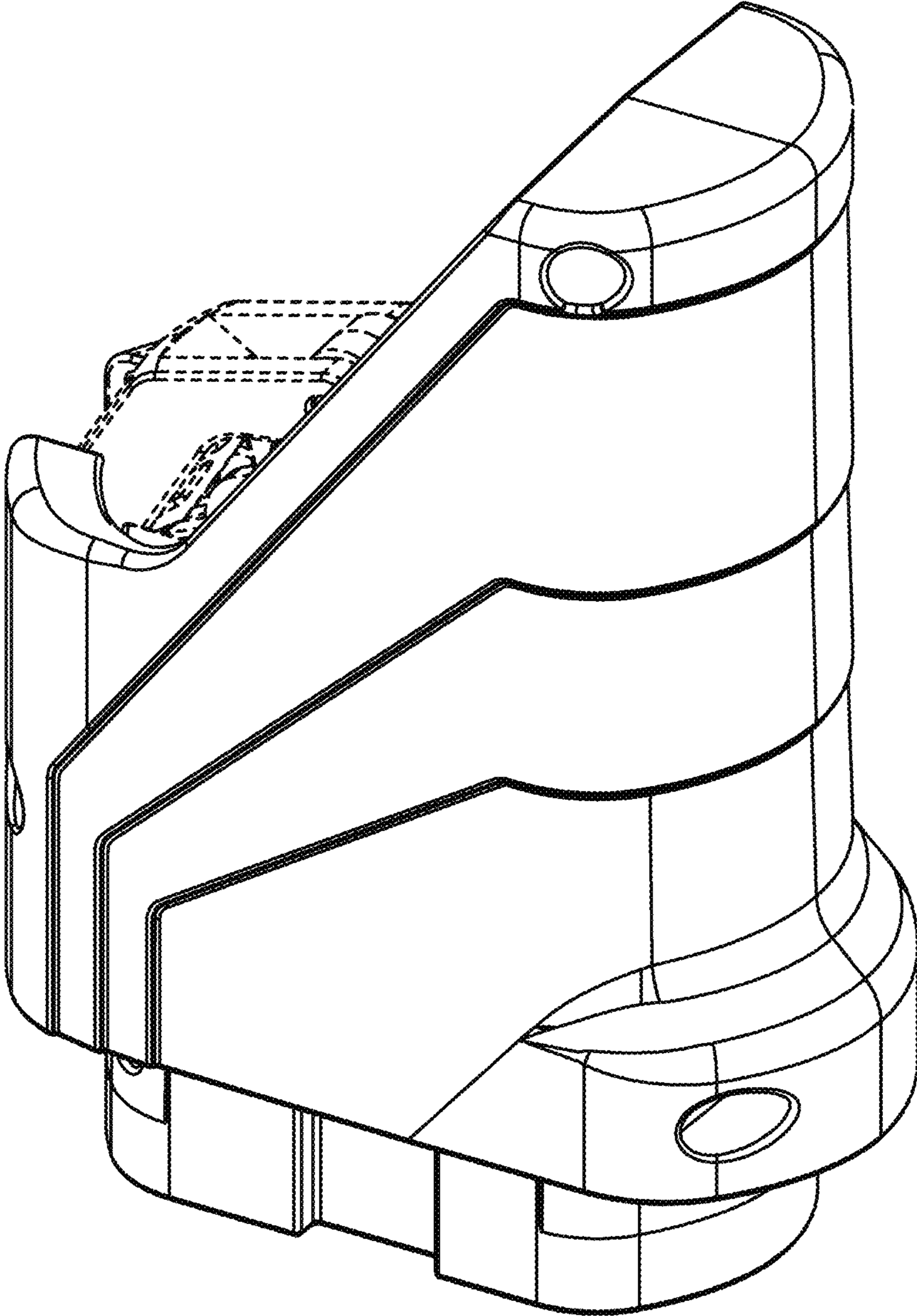


FIG. 3

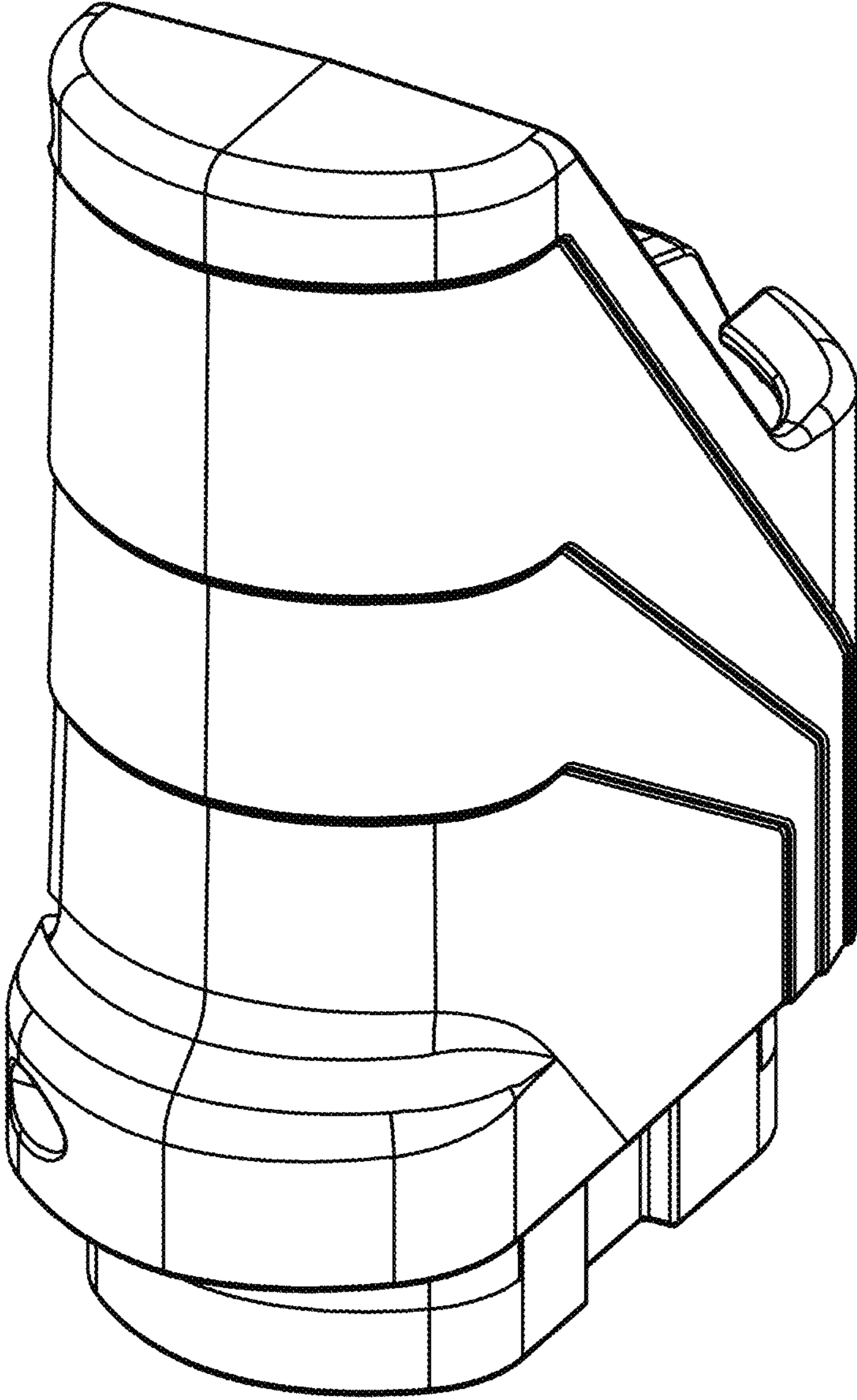


FIG. 4