



US00D900268S

(12) **United States Design Patent**
Zheng

(10) **Patent No.:** **US D900,268 S**

(45) **Date of Patent:** **** Oct. 27, 2020**

(54) **SHARK SPRINKLER TOY**

(71) Applicant: **ALIZON TECH CORP LIMITED**,
Hong Kong (CN)

(72) Inventor: **Canxiao Zheng**, Shantou (CN)

(**) Term: **15 Years**

(21) Appl. No.: **29/737,738**

(22) Filed: **Jun. 11, 2020**

(51) **LOC (12) Cl.** **21-03**

(52) **U.S. Cl.**
USPC **D21/820; D21/835**

(58) **Field of Classification Search**
USPC D21/811, 814, 818–820, 835
CPC ... A63G 21/00–22; A63G 31/00; A63G 31/12
See application file for complete search history.

(56) **References Cited**

U.S. PATENT DOCUMENTS

D441,416 S *	5/2001	Gourchounian	D21/820
D522,082 S *	5/2006	Peterson	D21/818
D556,287 S *	11/2007	Robinson	D21/819
D557,368 S *	12/2007	Berenson	D21/818
D562,929 S *	2/2008	Fitzgerald	D21/819
7,361,096 B2 *	4/2008	Sanchez	A63G 21/18 472/117
D607,064 S	12/2009	Thorsen		
D651,662 S	1/2012	Monahan		
D736,335 S	8/2015	Liberatore		
9,409,094 B1 *	8/2016	Wulf	A63G 21/18
D776,765 S	1/2017	Zafira et al.		
D787,617 S	5/2017	Krepack		
D872,195 S	1/2020	Hui et al.		

OTHER PUBLICATIONS

https://www.amazon.com/Anpro-Giant-Shark-Sprinkler-Kids/dp/B083DR229C/ref=cm_cr_ar_p_d_product_top?ie=UTF8; Sep. 2020.*
https://www.amazon.com/s?k=shark+sprinkler+toy&ref=nb_sb_noss; Sep. 2020.*
Anpro Giant Shark Sprinkler for Kids—Summer Inflatable Water Toys Outdoor Arch Sprinkler for Boys Girls, Outside Water Games for Kids Party, <https://www.amazon.com/dp/B083DR229C>, May 9, 2020.

* cited by examiner

Primary Examiner — Mitchell I. Siegel

(74) *Attorney, Agent, or Firm* — KA Filing LLC; Wayne V. Harper; Cynthia Ward Flanigan

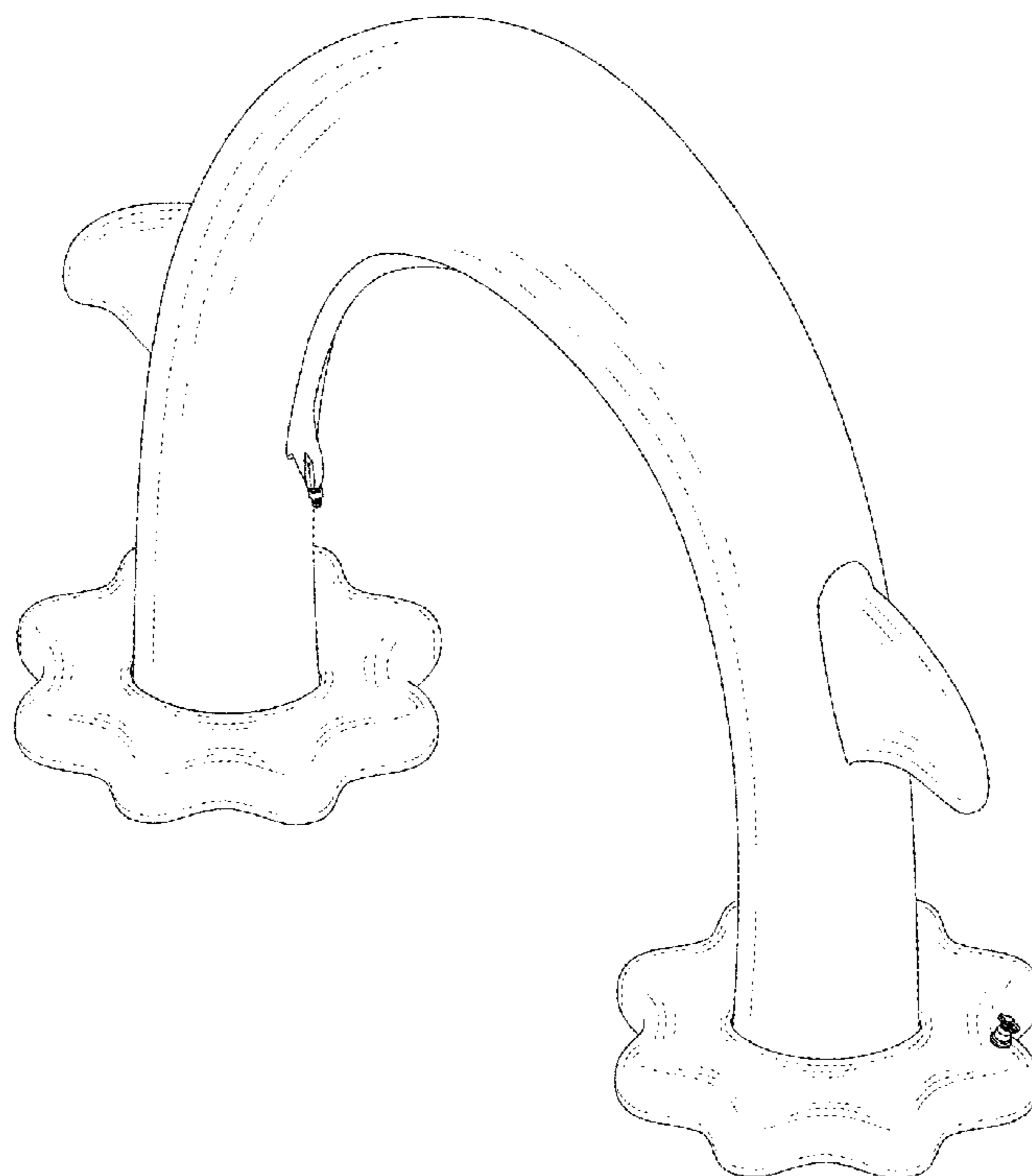
(57) **CLAIM**

The ornamental design for a shark sprinkler toy, as shown and described.

DESCRIPTION

FIG. 1 is a perspective view of a shark sprinkler toy showing my new design;
FIG. 2 is a front elevational view thereof;
FIG. 3 is a rear elevational view thereof;
FIG. 4 is a left side view thereof;
FIG. 5 is a right side view thereof;
FIG. 6 is a top plan view thereof; and,
FIG. 7 is a bottom plan view thereof.

1 Claim, 7 Drawing Sheets



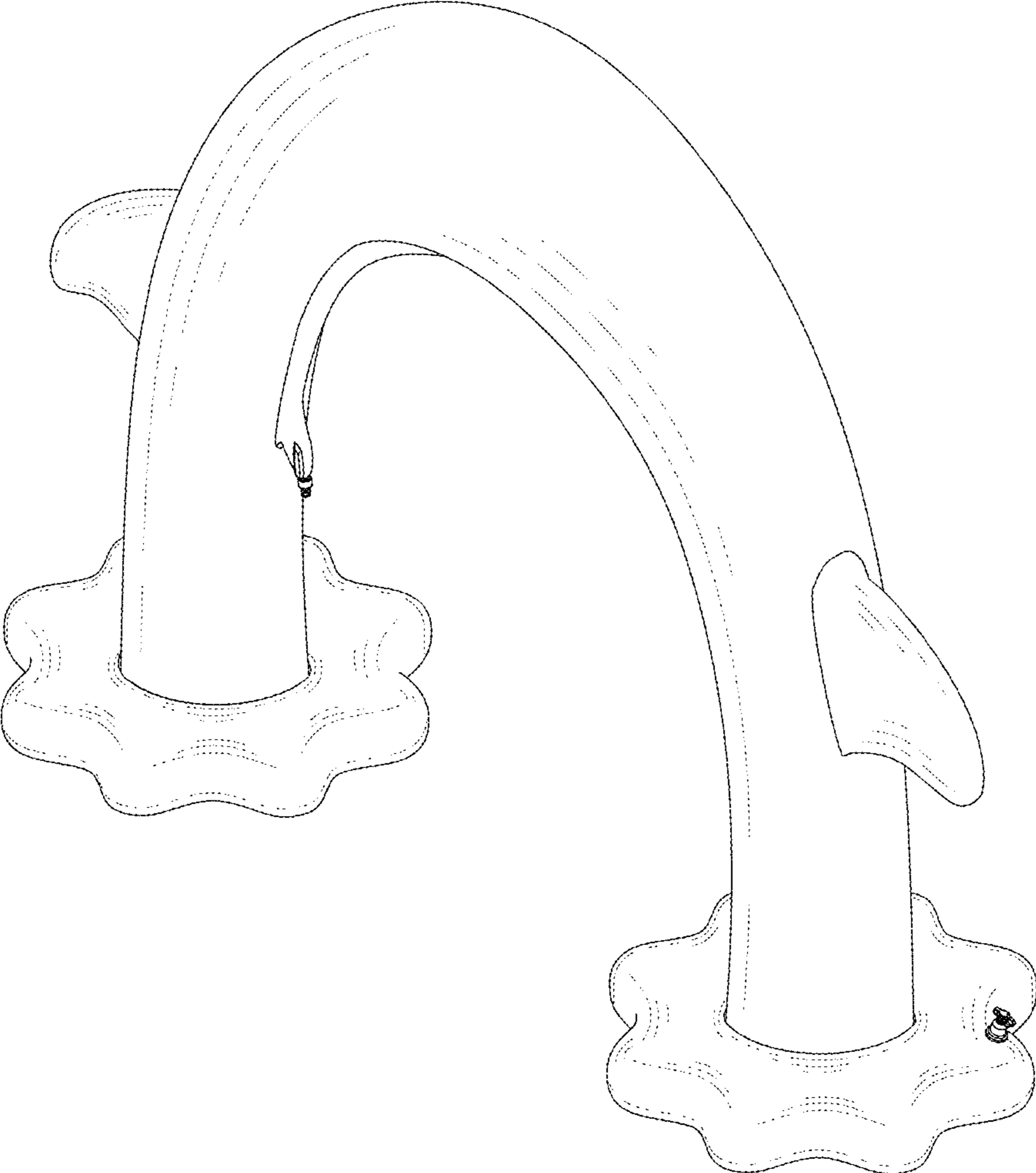


FIG.1

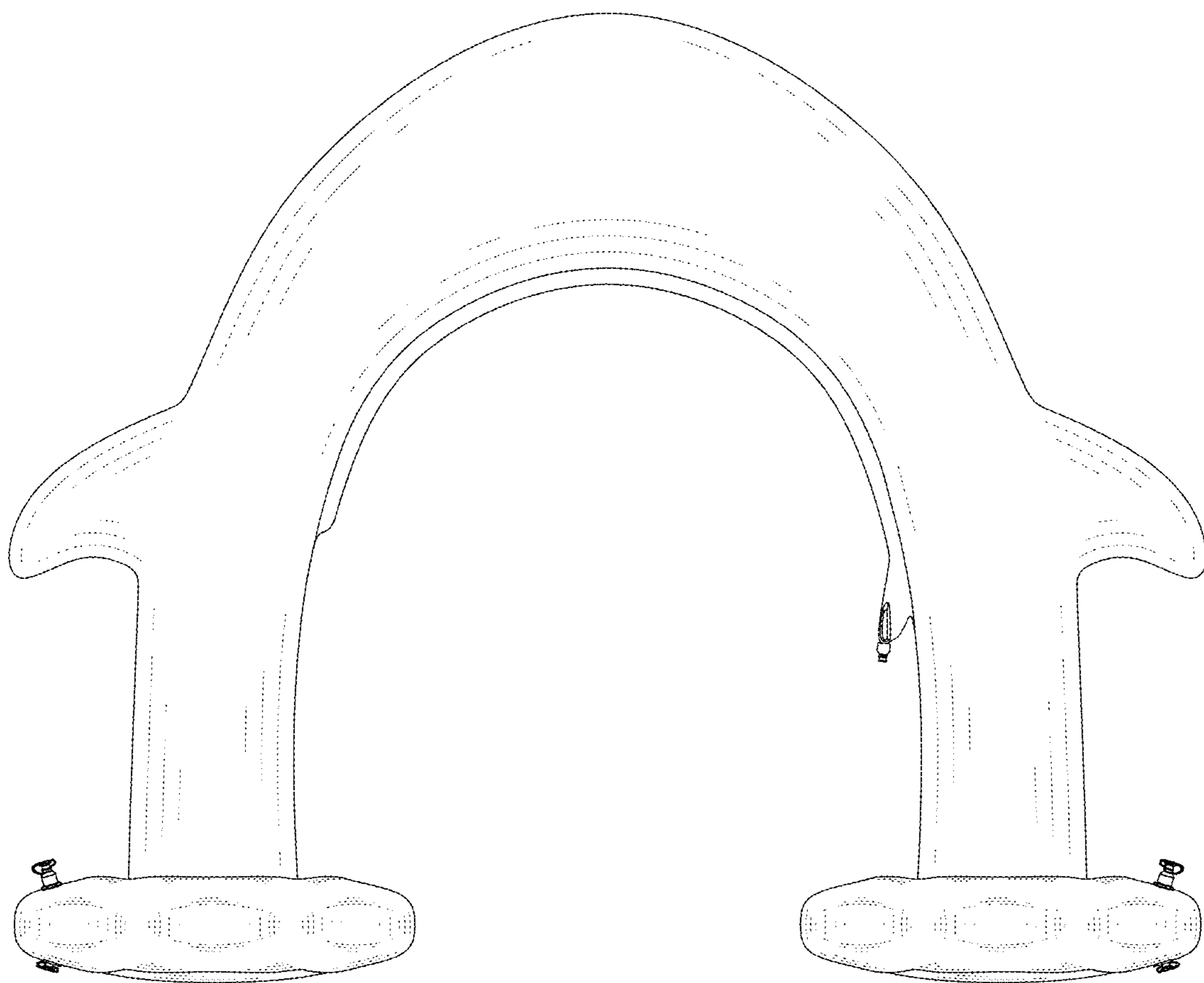


FIG.2

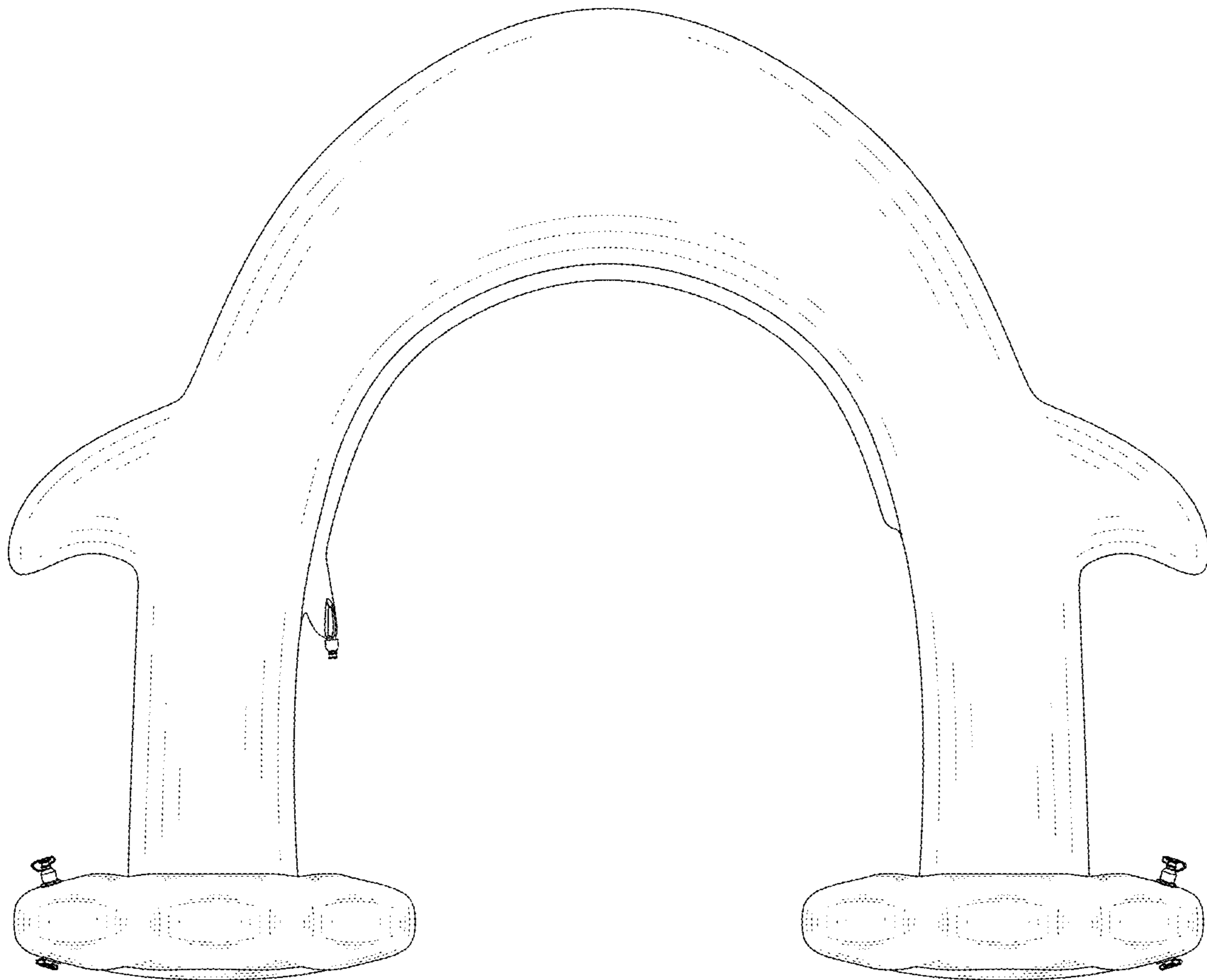


FIG.3

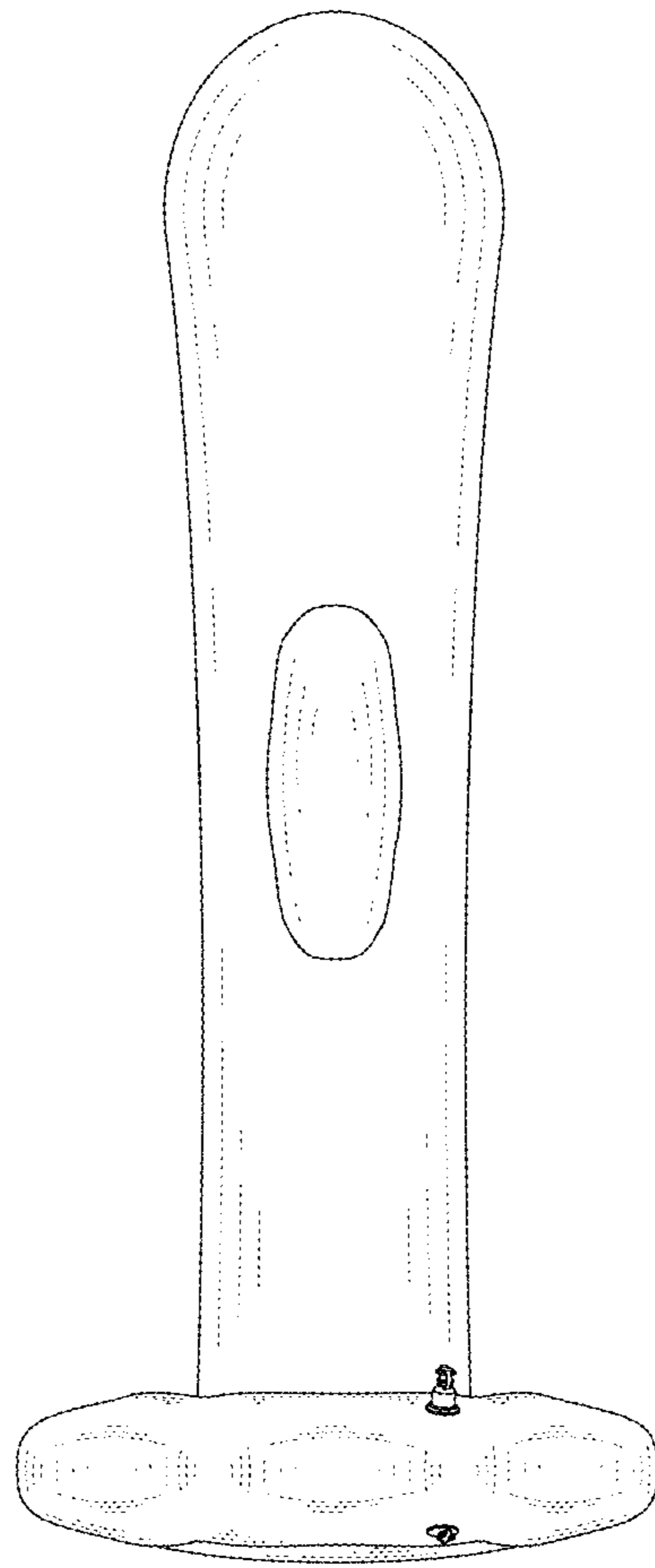


FIG. 4

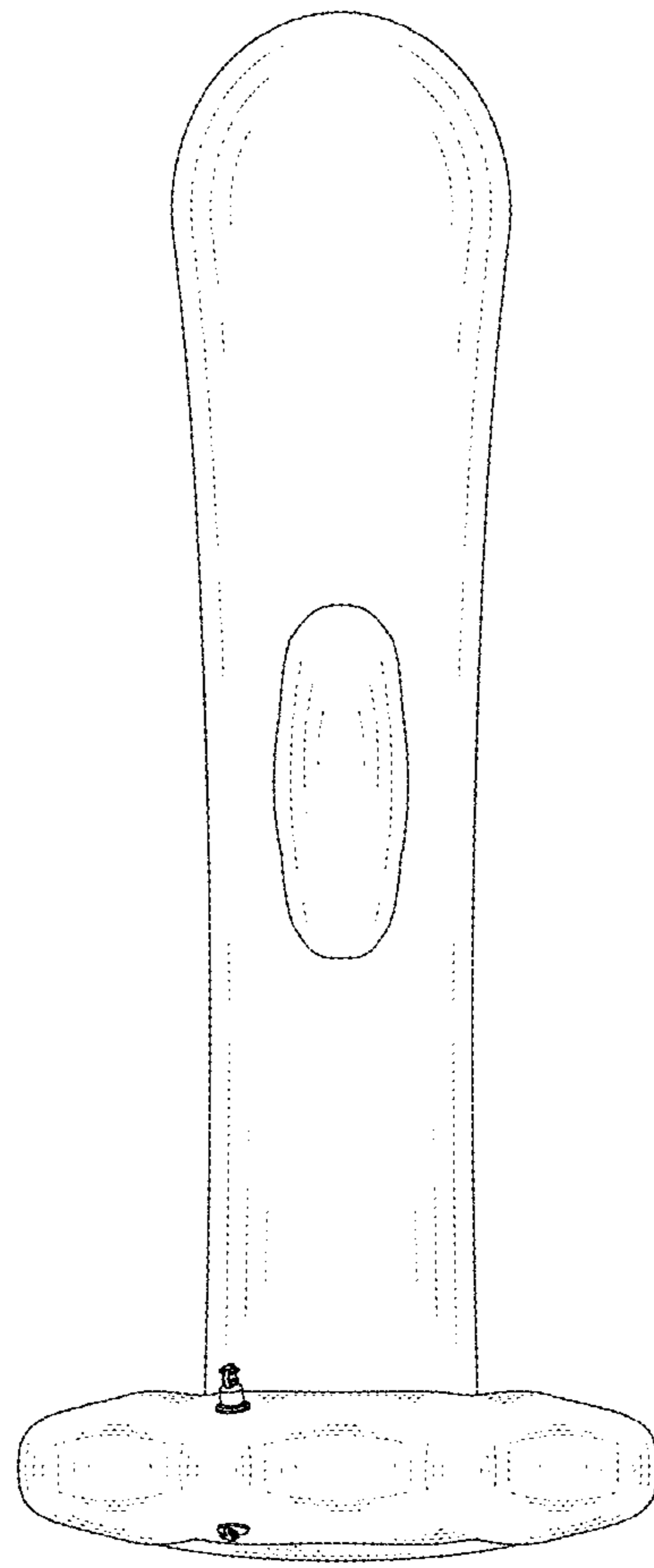


FIG. 5

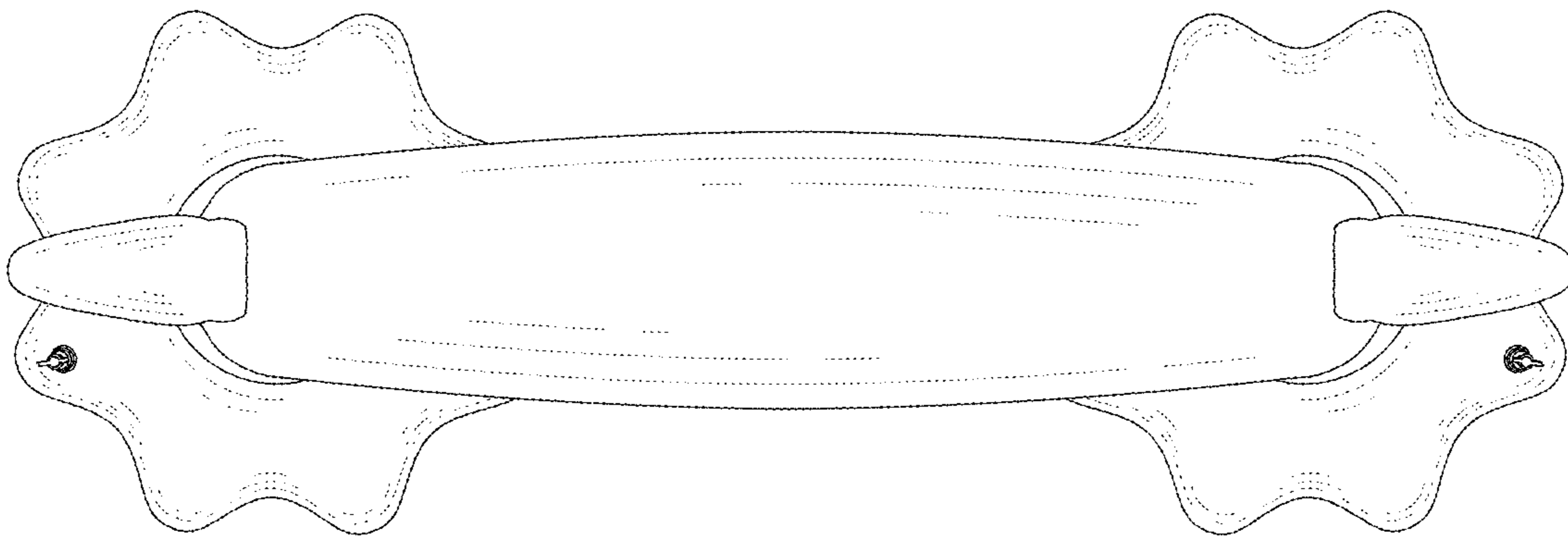


FIG.6

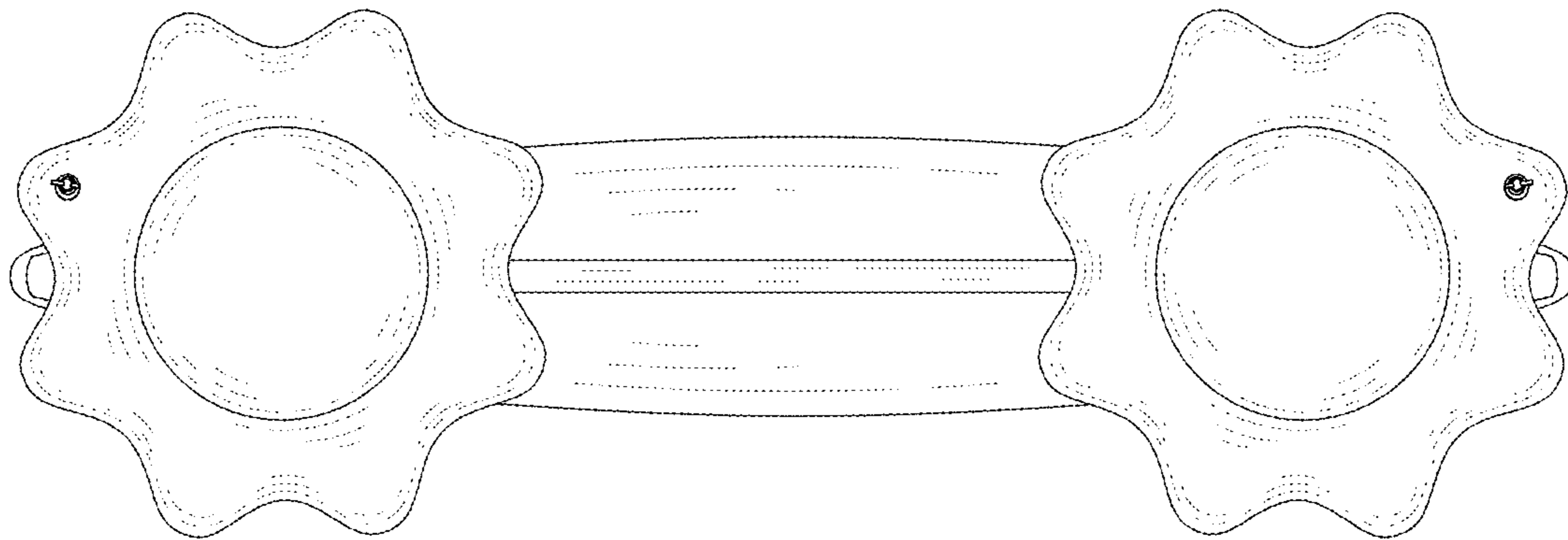


FIG. 7