



US00D900267S

(12) **United States Design Patent**
Zhang

(10) **Patent No.:** **US D900,267 S**

(45) **Date of Patent:** **** Oct. 27, 2020**

- (54) **INFLATABLE SWIMMING POOL**
- (71) Applicant: **Jing Zhang**, Kunming (CN)
- (72) Inventor: **Jing Zhang**, Kunming (CN)
- (**) Term: **15 Years**
- (21) Appl. No.: **29/739,268**
- (22) Filed: **Jun. 24, 2020**
- (51) **LOC (12) Cl.** **21-03**
- (52) **U.S. Cl.**
USPC **D21/815**
- (58) **Field of Classification Search**
USPC D21/815, 816, 835; D25/2
CPC A63H 33/32; A63H 31/12; A63H 2225/62;
E04H 4/00; E04H 4/0025; A47K 3/06
See application file for complete search history.

- D370,748 S * 6/1996 Janis D21/816
- 5,575,738 A * 11/1996 Millington A63B 5/11
472/135
- D404,457 S * 1/1999 Peterson D21/815
- D409,707 S * 5/1999 Peterson D21/815
- 5,924,144 A * 7/1999 Peterson E04H 4/10
4/488
- 5,946,744 A * 9/1999 Peterson E04H 4/0025
4/506
- 5,987,661 A * 11/1999 Peterson E04H 4/10
4/488
- D425,165 S * 5/2000 Klimenko D21/815
- D434,826 S * 12/2000 Hsu D21/815
- 6,408,453 B1 * 6/2002 Song E04H 4/0025
4/499
- 6,595,861 B1 * 7/2003 Morrow E04H 4/0025
4/488
- D478,956 S * 8/2003 Feuer D21/815

(Continued)

Primary Examiner — Mitchell I. Siegel

(57) **CLAIM**

The ornamental design for an inflatable swimming pool, as shown and described.

DESCRIPTION

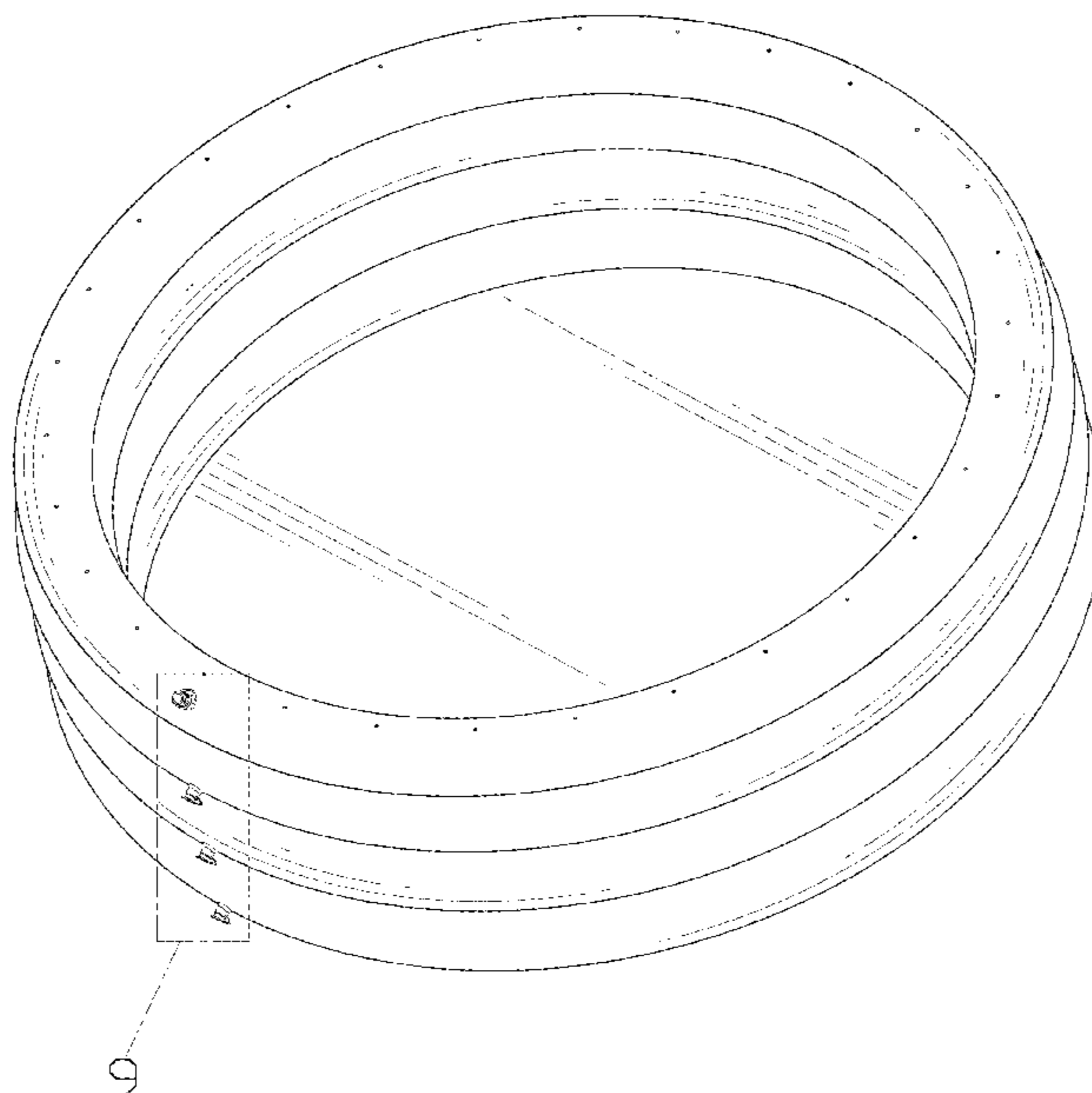
FIG. 1 is a perspective view of an inflatable swimming pool showing my new design;
 FIG. 2 is another perspective view thereof;
 FIG. 3 is a front elevational view thereof;
 FIG. 4 is a rear elevational view thereof;
 FIG. 5 is a left side elevational view thereof;
 FIG. 6 is a right side elevational view thereof;
 FIG. 7 is a top plan view thereof;
 FIG. 8 is a bottom plan view thereof; and,
 FIG. 9 is an enlarged view of portion 9 shown in FIG. 1.
 The broken lines in the drawings depict portions of the inflatable swimming pool that form no part of the claimed design.

1 Claim, 9 Drawing Sheets

(56) **References Cited**

U.S. PATENT DOCUMENTS

- 2,689,812 A * 9/1954 Mollica B29D 22/02
156/281
- D177,219 S * 3/1956 Crupi D21/815
- 2,838,768 A * 6/1958 Fischett A47K 1/14
4/507
- 3,363,268 A * 1/1968 Friedlander E04H 4/0025
4/506
- 3,631,544 A * 1/1972 Tytel E04H 4/0025
4/506
- D224,241 S * 7/1972 Tytel D21/815
- D224,306 S * 7/1972 Anderson D23/278
- 3,710,791 A * 1/1973 Deaton A61G 11/00
128/205.26
- D293,363 S * 12/1987 Everard D21/815
- D293,364 S * 12/1987 Everard D21/815
- 4,754,502 A * 7/1988 Bowen A47K 3/06
4/487
- 4,935,970 A * 6/1990 Aristone E04H 4/0025
4/488



(56)

References Cited

U.S. PATENT DOCUMENTS

6,606,752 B2 * 8/2003 Marbach E04H 4/10
4/498
D554,729 S * 11/2007 Peterson D21/815
D725,210 S * 3/2015 Anastasia D21/815
D732,133 S * 6/2015 Goldmeier D21/815
D741,436 S * 10/2015 Lin D21/815
9,217,259 B1 * 12/2015 Perrotta E04H 4/0025
D771,221 S * 11/2016 Lin D23/204
D772,421 S * 11/2016 Lin D24/205
D773,063 S * 11/2016 Lin D24/205
9,506,260 B2 * 11/2016 Mussa E04H 4/00
D786,382 S * 5/2017 Lin D21/815
D788,247 S * 5/2017 Lin D21/815
D824,469 S * 7/2018 Mussa D21/815
10,472,841 B2 * 11/2019 Tong E04H 4/148
2006/0162062 A1 * 7/2006 Liu E04H 4/0025
4/506
2010/0229296 A1 * 9/2010 Samuel E04H 4/0025
4/506

* cited by examiner

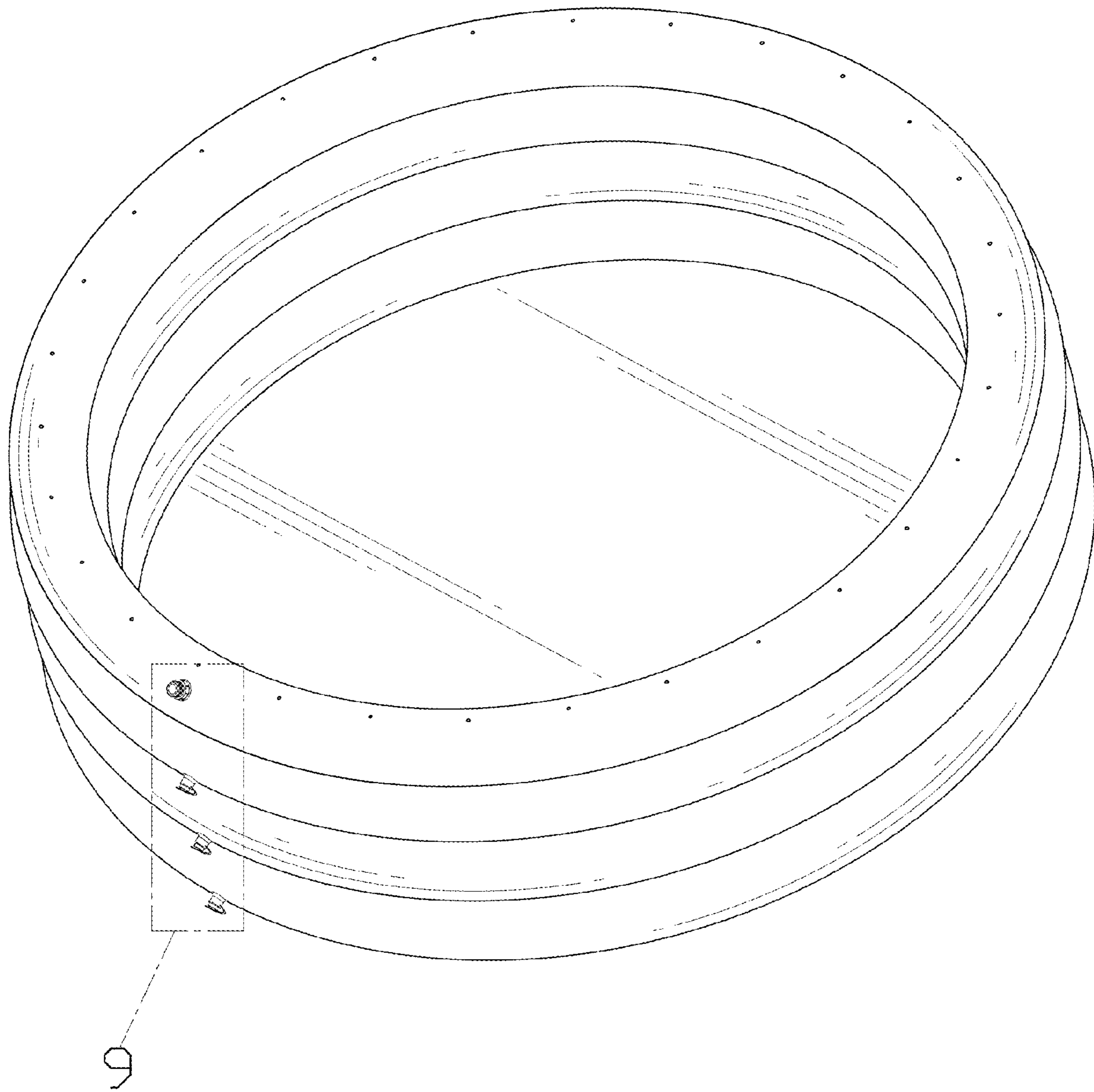


FIG. 1

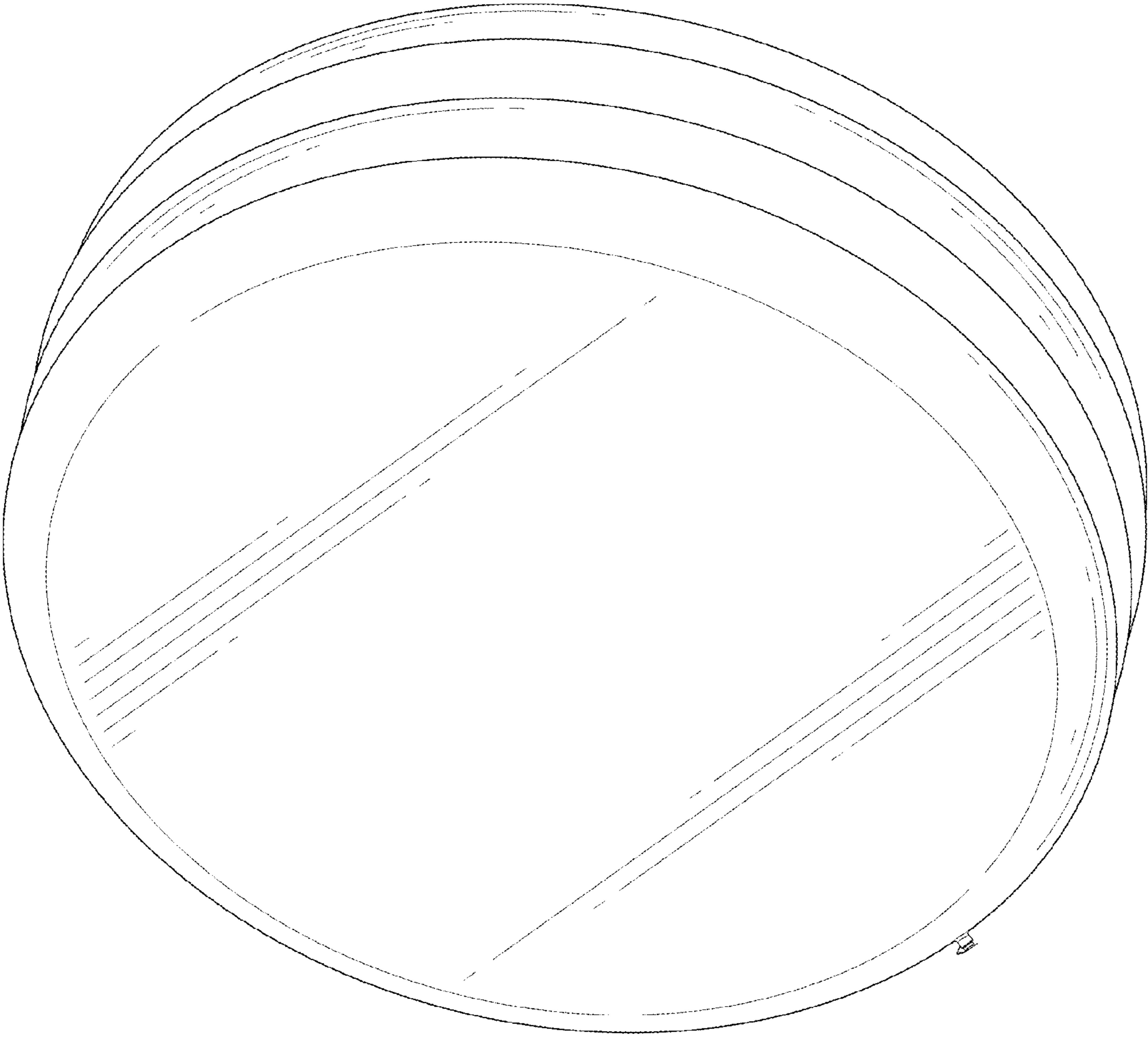


FIG. 2

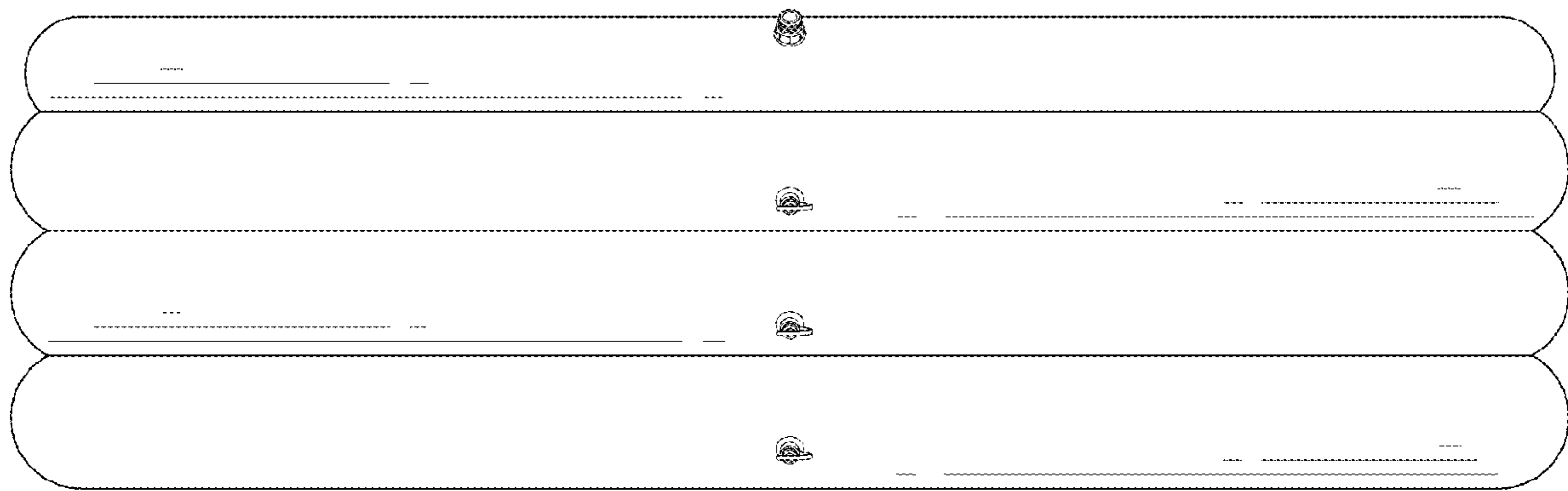


FIG. 3

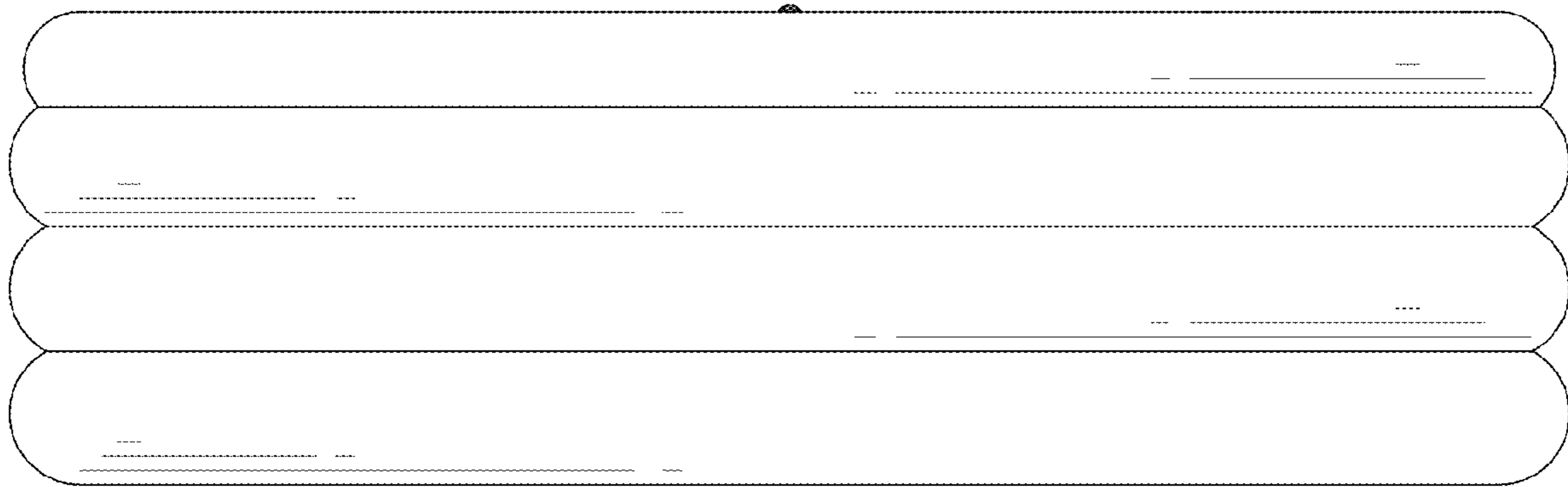


FIG. 4

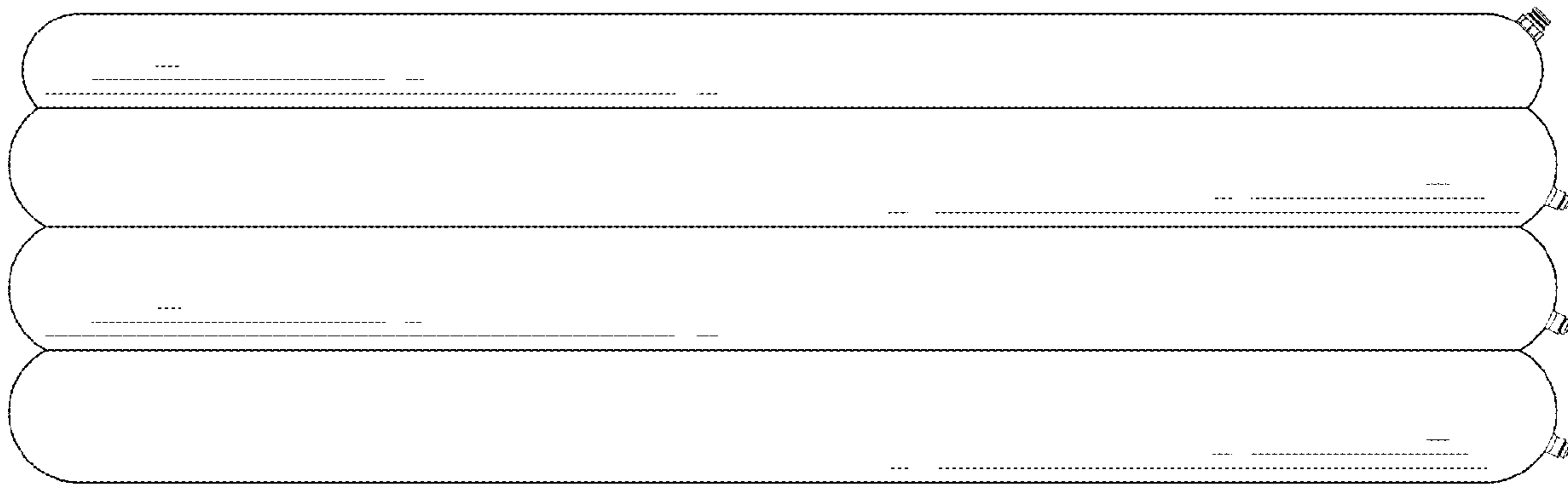


FIG. 5

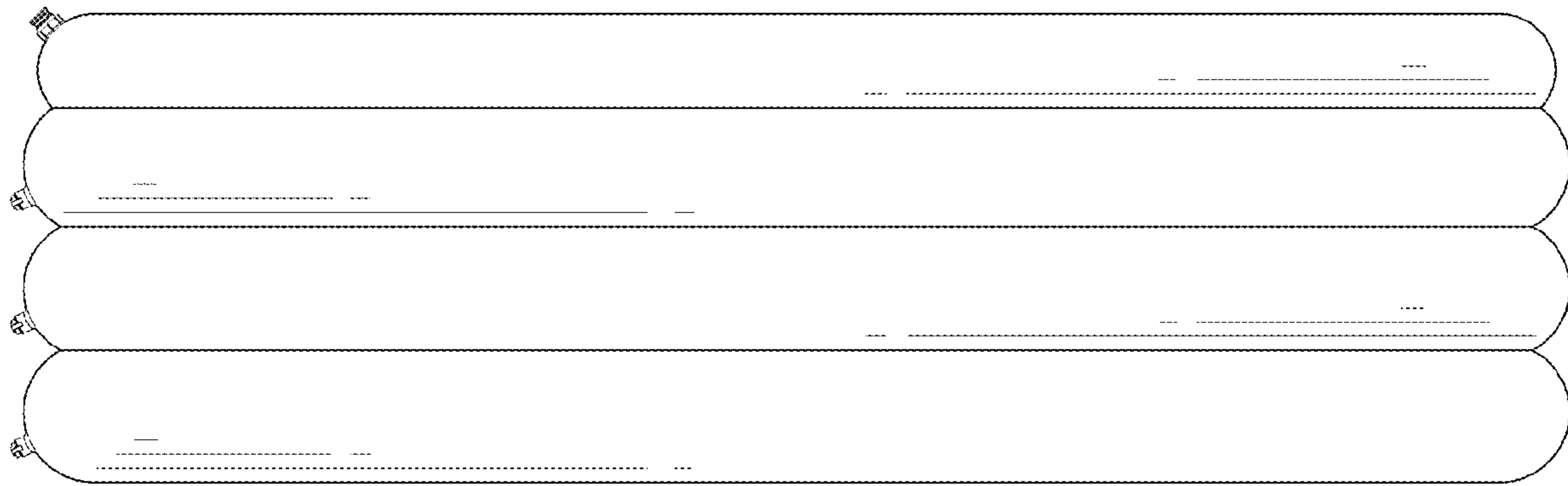


FIG. 6

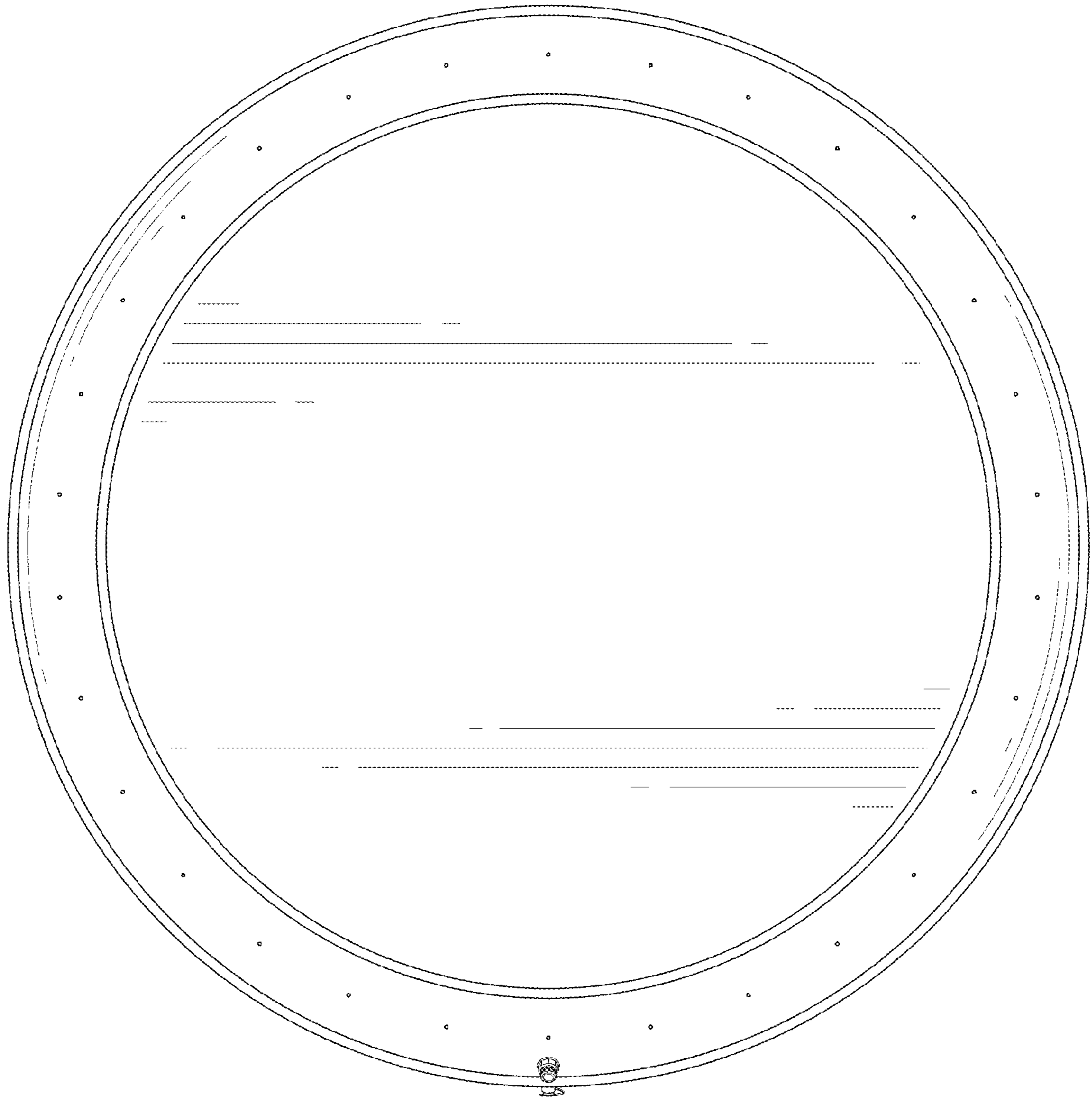


FIG. 7

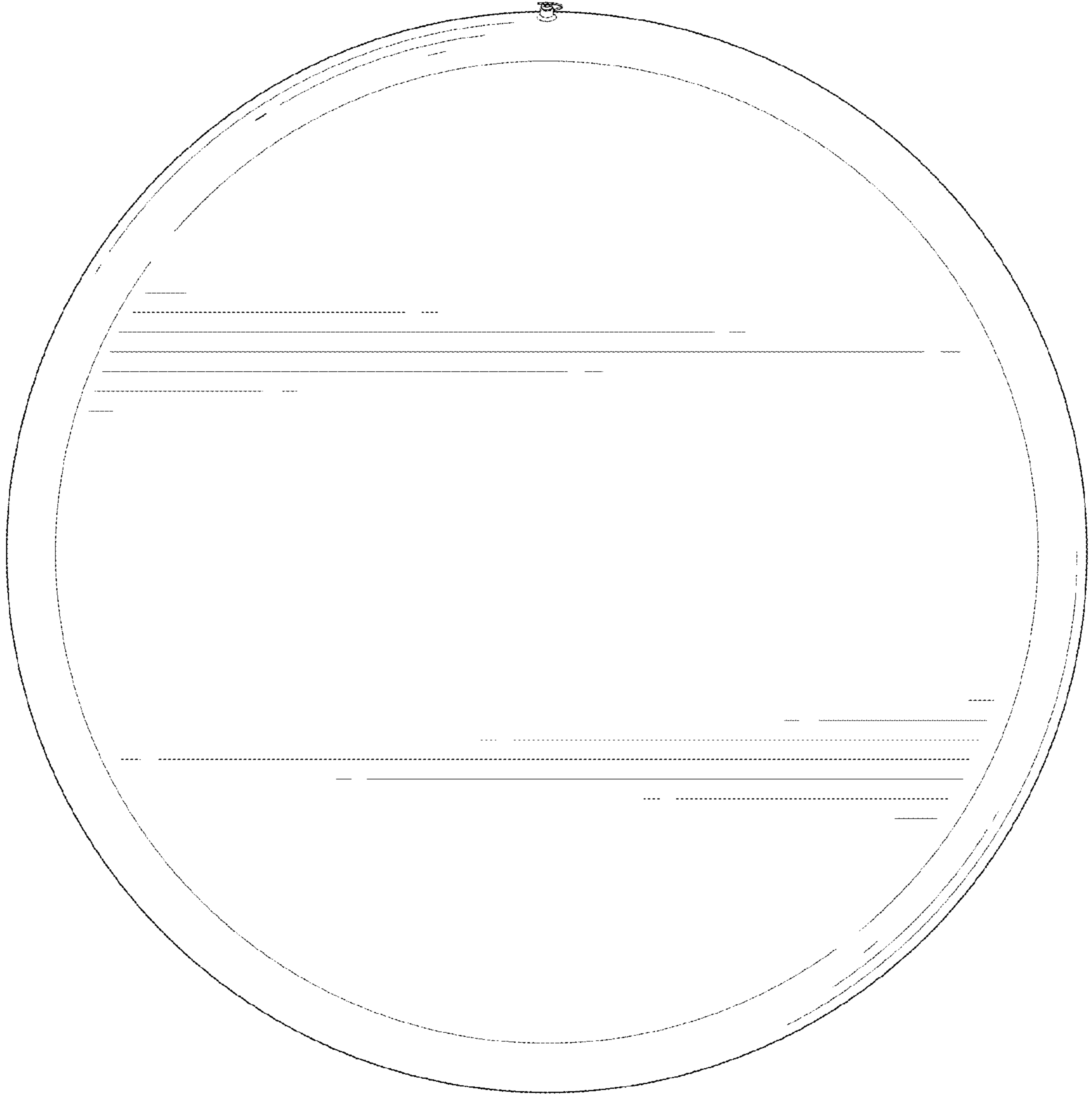


FIG. 8

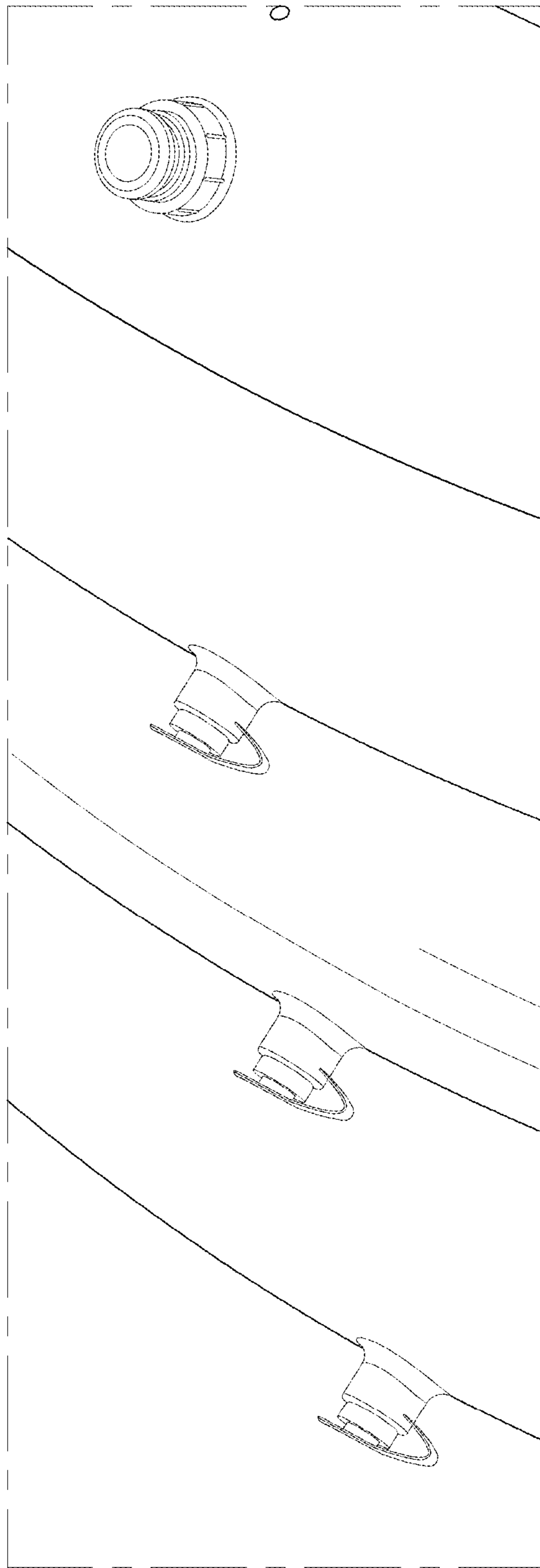


FIG. 9