



US00D900266S

(12) **United States Design Patent** (10) **Patent No.:** **US D900,266 S**
Stoter (45) **Date of Patent:** **** Oct. 27, 2020**

(54) **POOL FLOAT**

(71) Applicant: **VIVERE LTD.**, Guelph (CA)

(72) Inventor: **Jason Stoter**, Guelph (CA)

(73) Assignee: **VIVERE LTD.**, Guelph (CA)

(**) Term: **15 Years**

(21) Appl. No.: **29/722,743**

(22) Filed: **Jan. 31, 2020**

(51) **LOC (12) Cl.** **21-02**

(52) **U.S. Cl.**
USPC **D21/809**

(58) **Field of Classification Search**
USPC D21/769-770, 801, 803, 809; D6/392,
D6/595, 596, 601, 604, 605

(Continued)

(56) **References Cited**

U.S. PATENT DOCUMENTS

D190,794 S 7/1961 Anson
D310,313 S 9/1990 Afeyan

(Continued)

FOREIGN PATENT DOCUMENTS

DE 102014215425 2/2016

Primary Examiner — Zenia I Bennett

(74) *Attorney, Agent, or Firm* — Hodgson Russ LLP

(57) **CLAIM**

The ornamental design for a pool float, as shown and described.

DESCRIPTION

FIG. 1 is a perspective view of a first embodiment of a pool float, showing my new design;

FIG. 2 is a front elevation view thereof;

FIG. 3 is a rear elevation view thereof;

FIG. 4 is a right side elevation view thereof;

FIG. 5 is a left side elevation view thereof;

FIG. 6 is a top plan view thereof;

FIG. 7 is a bottom plan view thereof;

FIG. 8 is a perspective view thereof, showing the pool float in a partially opened position with exemplary pool noodles disposed therein;

FIG. 9 is a detail view thereof;

FIG. 10 is a cross-sectional view taken along 10-10 of FIG. 6;

FIG. 11 is a perspective view of a second embodiment of a pool float;

FIG. 12 is a front elevation view thereof;

FIG. 13 is a rear elevation view thereof;

FIG. 14 is a right side elevation view thereof;

FIG. 15 is a left side elevation view thereof;

FIG. 16 is a top plan view thereof;

FIG. 17 is a bottom plan view thereof;

FIG. 18 is a perspective view thereof, showing the pool float in a partially opened position with exemplary pool noodles disposed therein;

FIG. 19 is a detail view thereof;

FIG. 20 is a cross-sectional view taken along 20-20 of FIG. 16;

FIG. 21 is a perspective view of a third embodiment of a pool float;

FIG. 22 is a front elevation view thereof;

FIG. 23 is a rear elevation view thereof;

FIG. 24 is a right side elevation view thereof;

FIG. 25 is a left side elevation view thereof;

FIG. 26 is a top plan view thereof;

FIG. 27 is a bottom plan view thereof;

FIG. 28 is a perspective view thereof, showing the pool float in a partially opened position with exemplary pool noodles disposed therein;

FIG. 29 is a detail view thereof;

FIG. 30 is a cross-sectional view taken along 30-30 of FIG. 26;

FIG. 31 is a perspective view of a fourth embodiment of a pool float;

FIG. 32 is a front elevation view thereof;

FIG. 33 is a rear elevation view thereof;

(Continued)

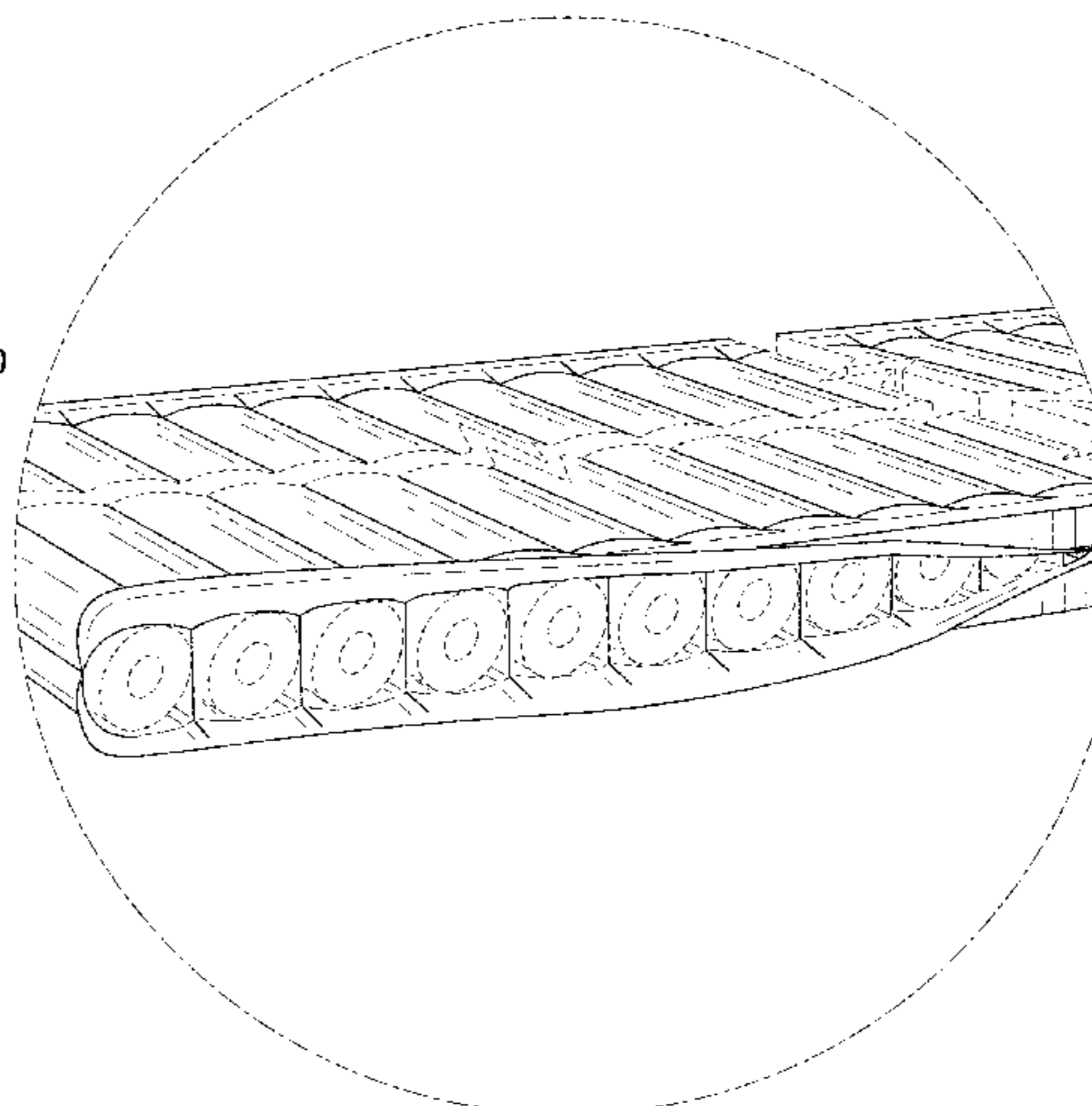
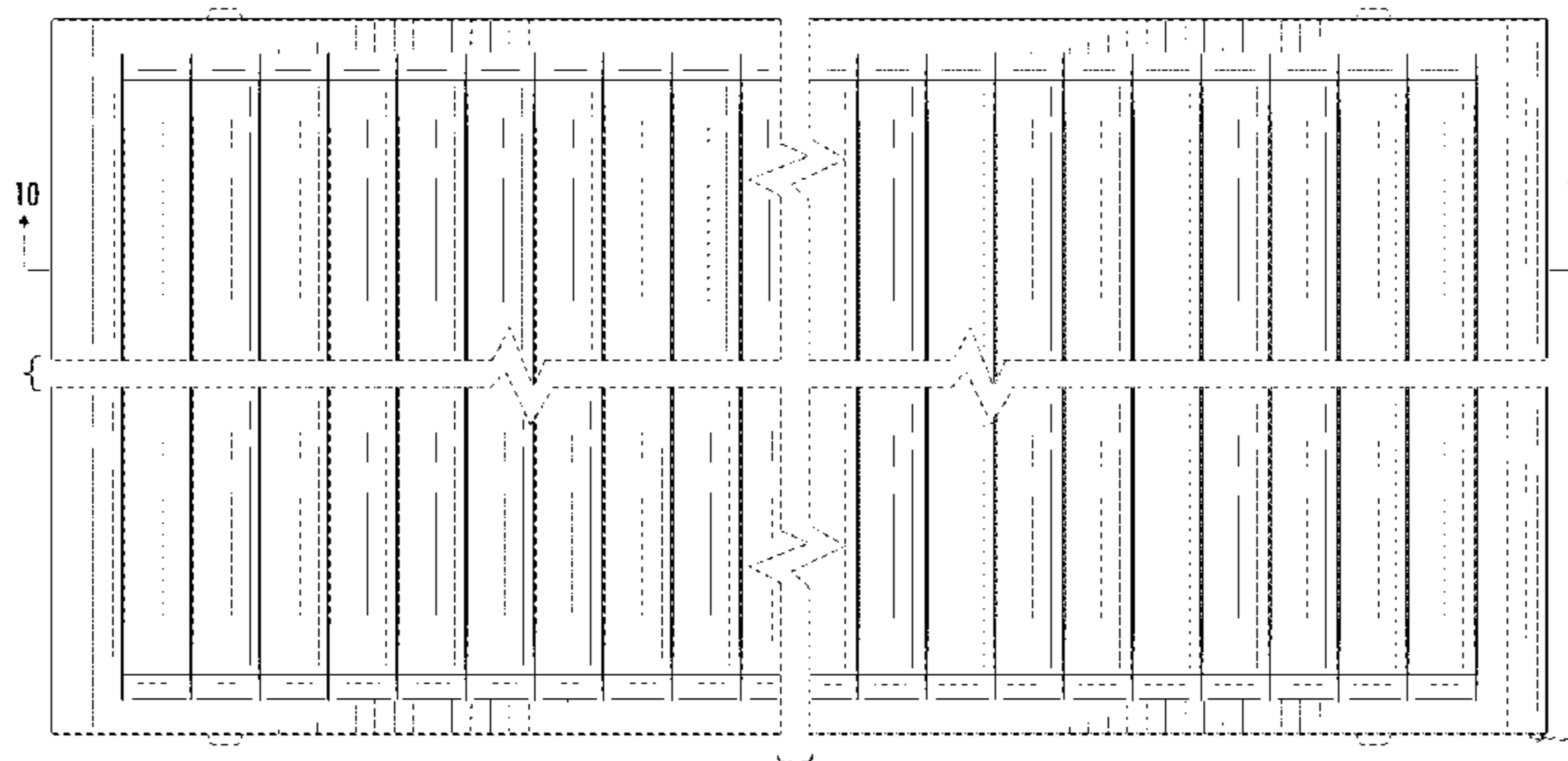


FIG. 34 is a right side elevation view thereof;
 FIG. 35 is a left side elevation view thereof;
 FIG. 36 is a top plan view thereof;
 FIG. 37 is a bottom plan view thereof;
 FIG. 38 is a perspective view thereof, showing the pool float in a partially opened position with exemplary pool noodles disposed therein;
 FIG. 39 is a detail view thereof;
 FIG. 40 is a cross-sectional view taken along 40-40 of FIG. 36;
 FIG. 41 is a perspective view of a fifth embodiment of a pool float;
 FIG. 42 is a front elevation view thereof;
 FIG. 43 is a rear elevation view thereof;
 FIG. 44 is a right side elevation view thereof;
 FIG. 45 is a left side elevation view thereof;
 FIG. 46 is a top plan view thereof;
 FIG. 47 is a bottom plan view thereof;
 FIG. 48 is a perspective view thereof, showing the pool float in a partially opened position with exemplary pool noodles disposed therein;
 FIG. 49 is a detail view thereof; and,
 FIG. 50 is a cross-sectional view taken along 50-50 of FIG. 46.

The broken lines in the figures illustrate portions of the pool float that form no part of the claimed design. The drawings contain symbolic breaks. The portion between break lines forms no part of the claimed design.

1 Claim, 40 Drawing Sheets

(58) **Field of Classification Search**

CPC B63B 35/00; B63B 35/58; B63B 35/613;
 B63B 35/62

See application file for complete search history.

(56) **References Cited**

U.S. PATENT DOCUMENTS

D315,187 S 3/1991 Thomas
 5,044,030 A * 9/1991 Balaton A47C 27/081
 297/DIG. 3

D341,981 S * 12/1993 Harris D6/601
 D349,145 S 7/1994 Haughey
 D370,956 S 6/1996 Pery
 5,885,123 A 3/1999 Clifford
 D414,365 S 9/1999 Hsu
 D414,644 S 10/1999 Hsu
 D422,331 S 4/2000 Ponce de Leon
 6,058,536 A * 5/2000 Henry A47C 27/12
 5/691
 D443,686 S * 6/2001 Gonzalez D23/304
 D446,674 S 8/2001 Chapman
 D484,560 S 12/2003 Lin
 D528,622 S 9/2006 Peterson
 D560,947 S * 2/2008 Kreucher D6/601
 D569,160 S 5/2008 Mossbeck
 D571,429 S 6/2008 Roberts
 D583,005 S 12/2008 Grymonprez
 D584,911 S 1/2009 Hisey
 D624,622 S 9/2010 Vick
 7,914,352 B2 3/2011 Williams
 D636,452 S 4/2011 Majors
 D650,031 S 12/2011 Vick
 D688,344 S 8/2013 Cheung
 D708,689 S 7/2014 Cheung
 D725,734 S 3/2015 Sosnowski
 D737,073 S 8/2015 Hawkins
 D740,385 S 10/2015 Bartow
 D740,386 S 10/2015 Herter
 9,540,078 B2 1/2017 Bartow
 D781,977 S 3/2017 Lin
 D802,074 S 11/2017 Osimo
 9,861,857 B1 1/2018 Godfrey
 D811,510 S 2/2018 Rademacher
 D834,671 S 11/2018 McCarthy
 D857,829 S 8/2019 Peterson
 D862,623 S 10/2019 Hsu
 D870,833 S 12/2019 Liu
 2009/0156086 A1 6/2009 Hartings
 2009/0184225 A1 7/2009 Gleick
 2014/0290022 A1 10/2014 Gratch
 2018/0028867 A1 2/2018 Podergois
 2019/0001235 A1 1/2019 Kremmer
 2019/0217174 A1 7/2019 Bair

* cited by examiner

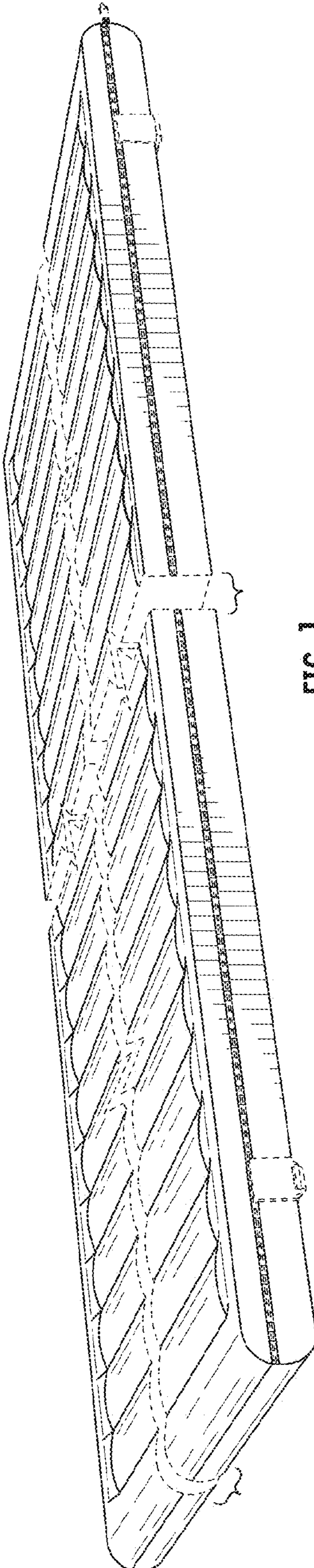


FIG. 1



FIG. 2

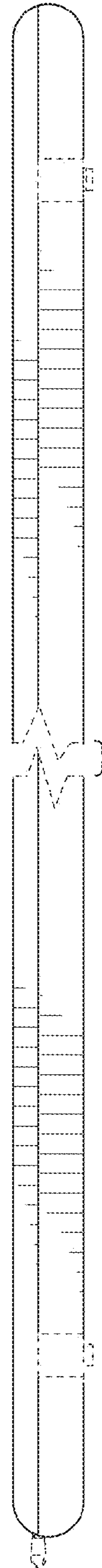


FIG. 3

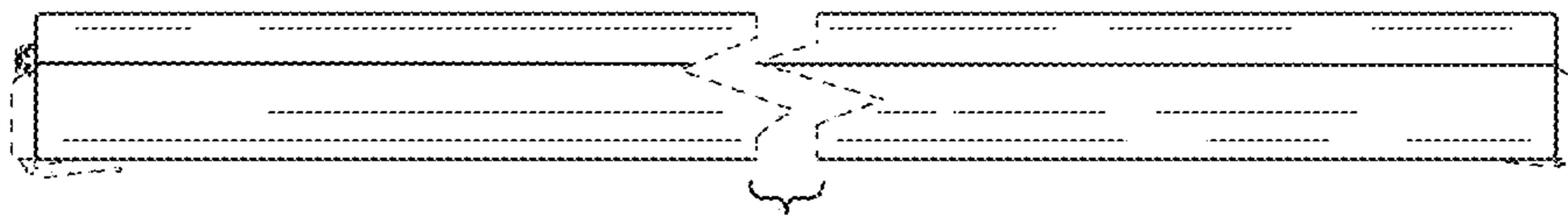


FIG. 4

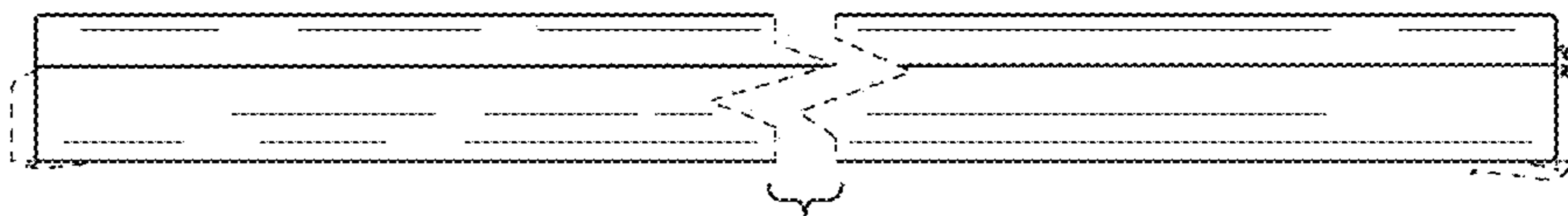


FIG. 5

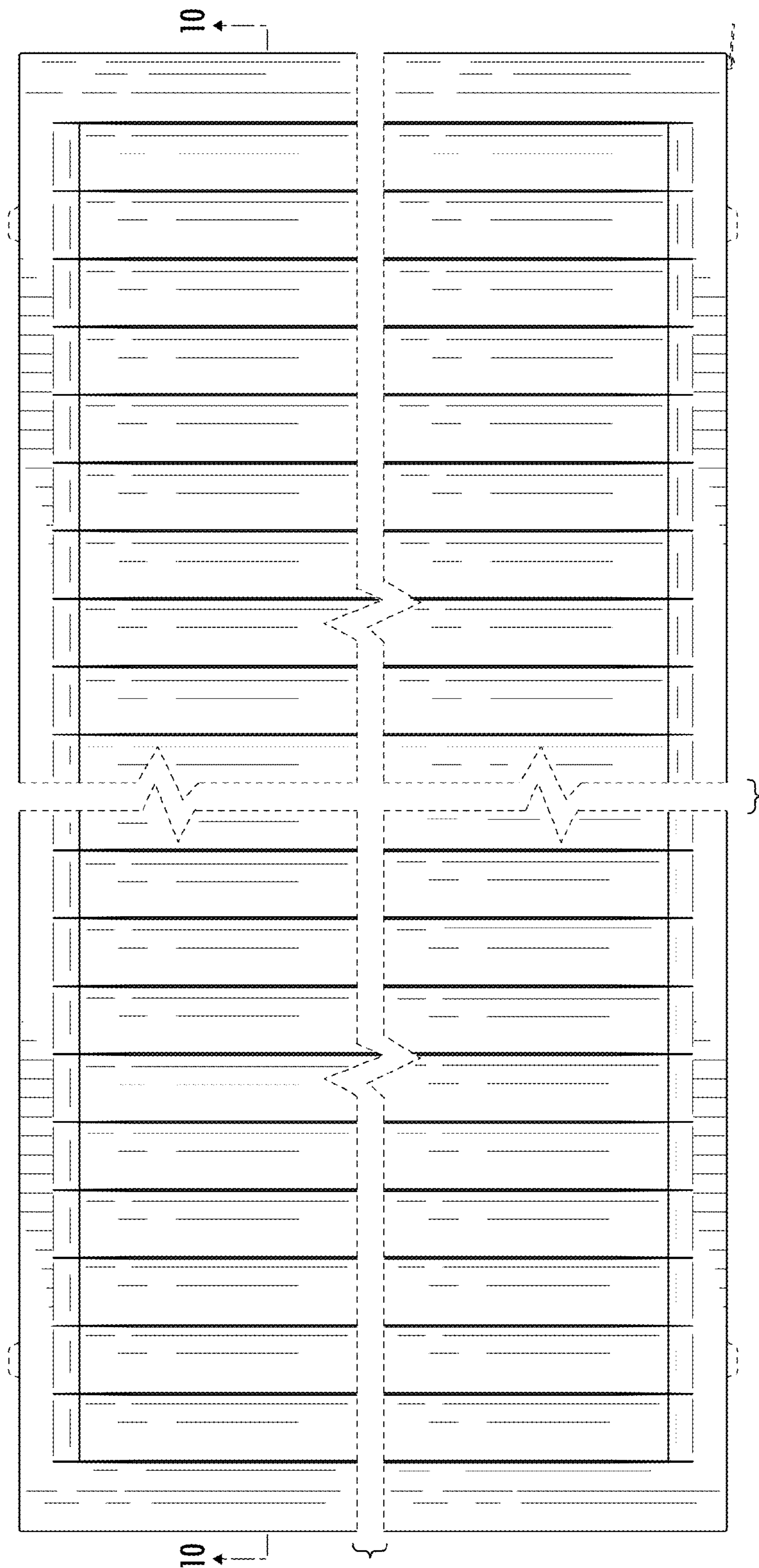


FIG. 6

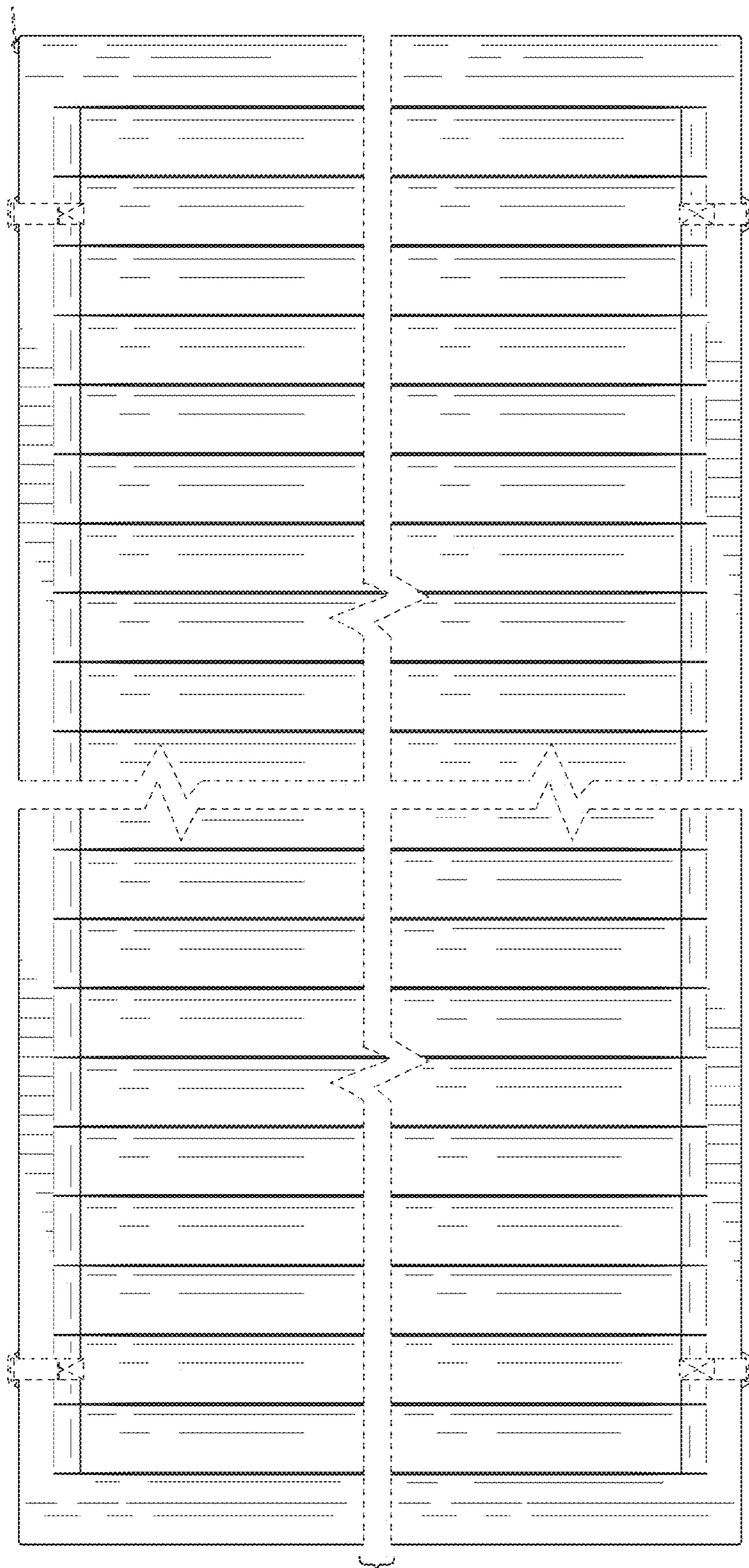


FIG. 7

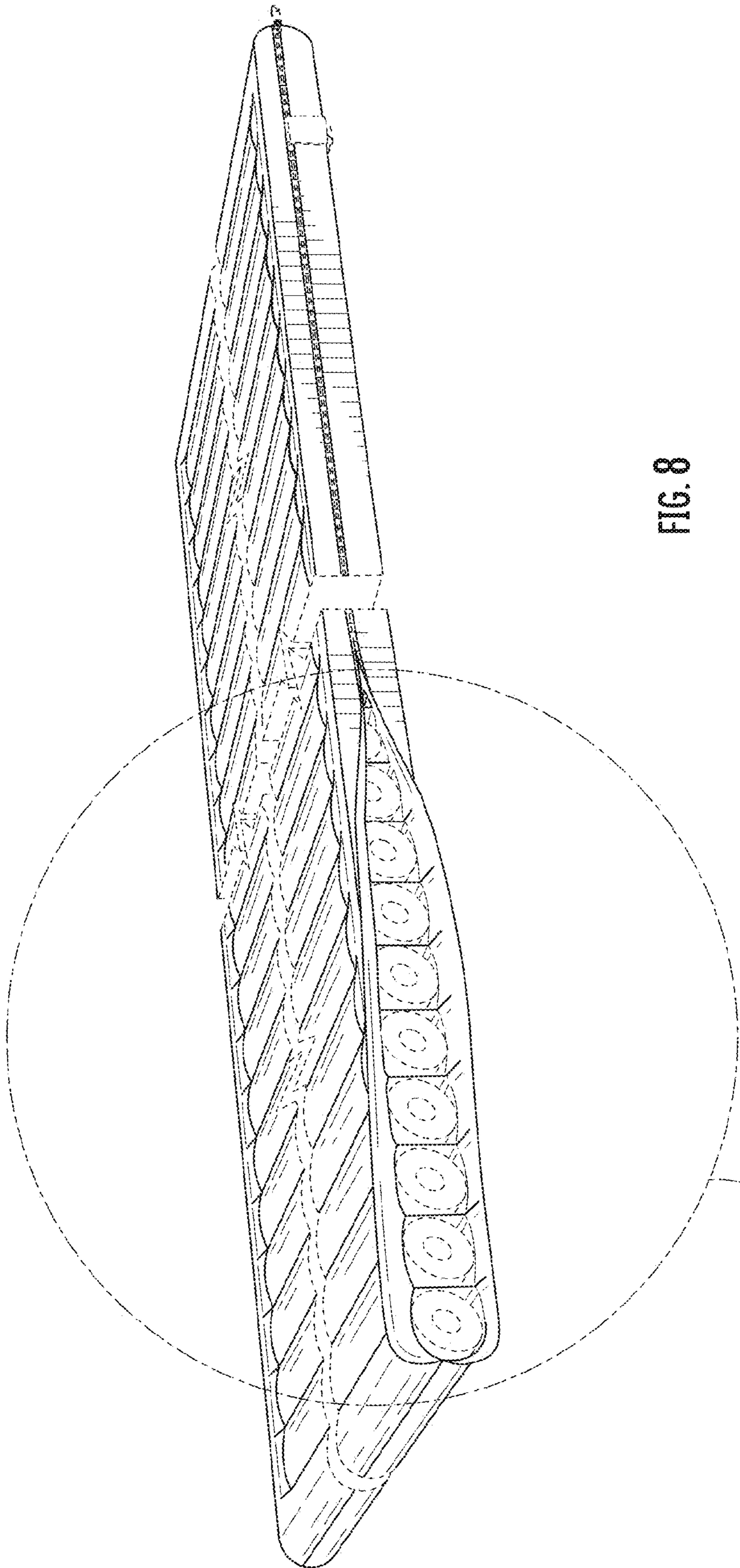


FIG. 8

FIG. 9

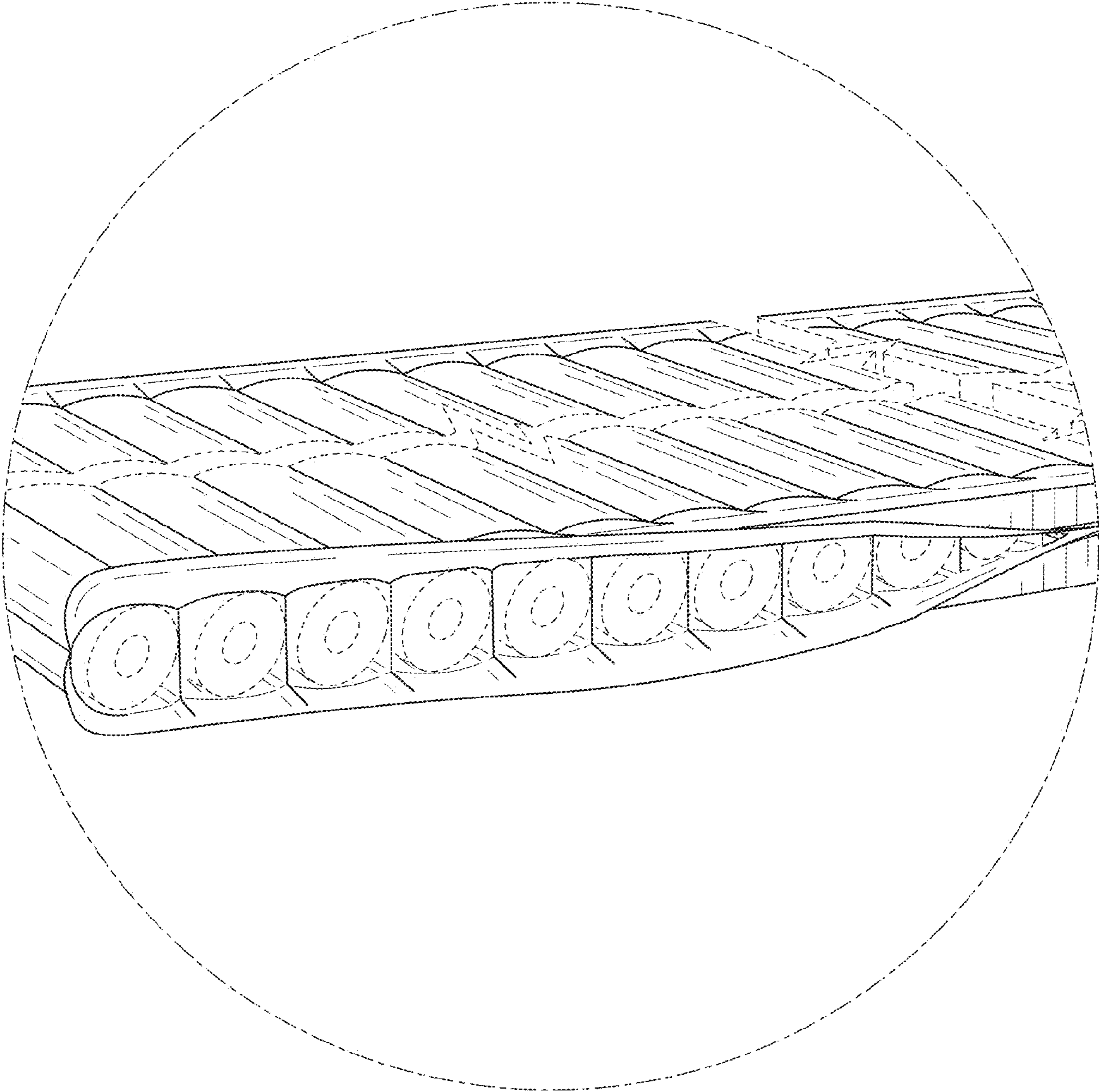


FIG. 9



FIG. 10

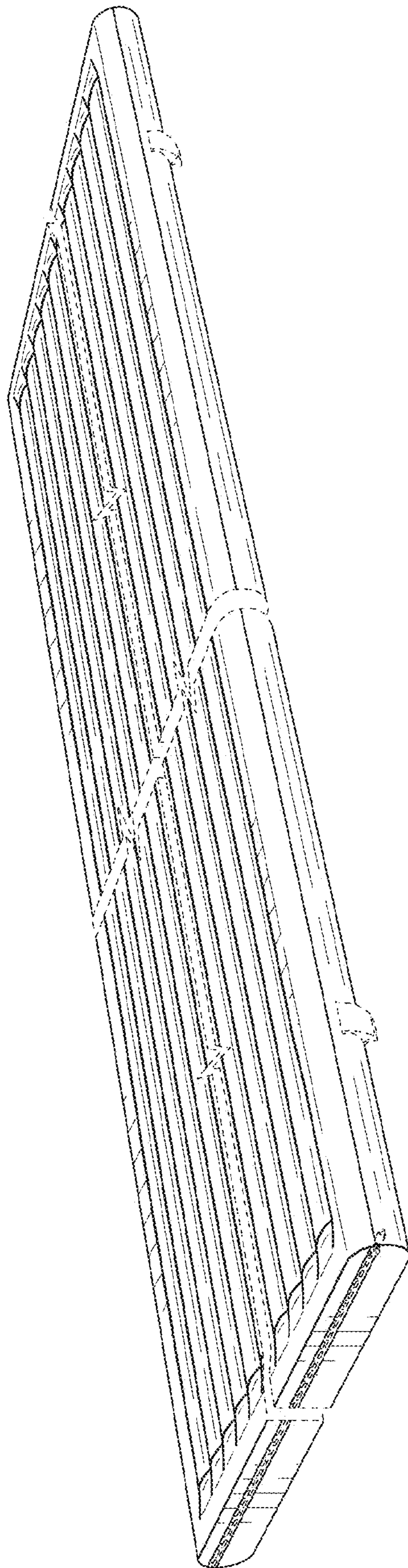


FIG. 11



FIG. 12



FIG. 13

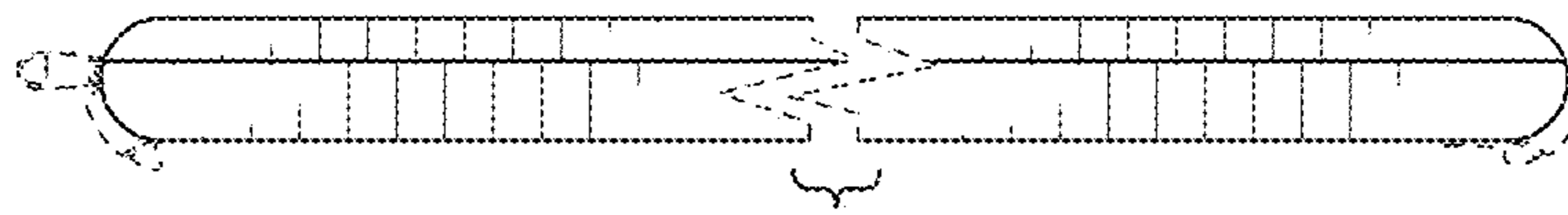


FIG. 14



FIG. 15

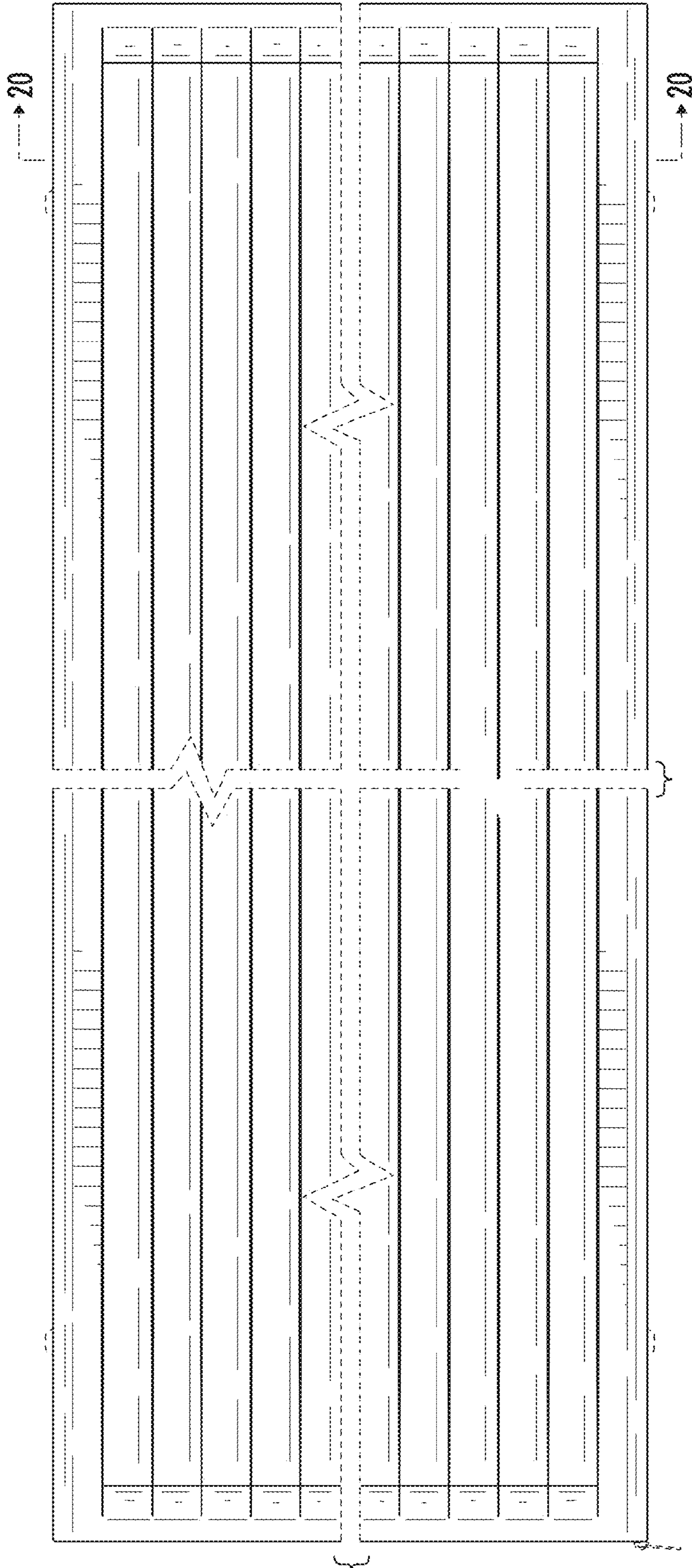


FIG. 16

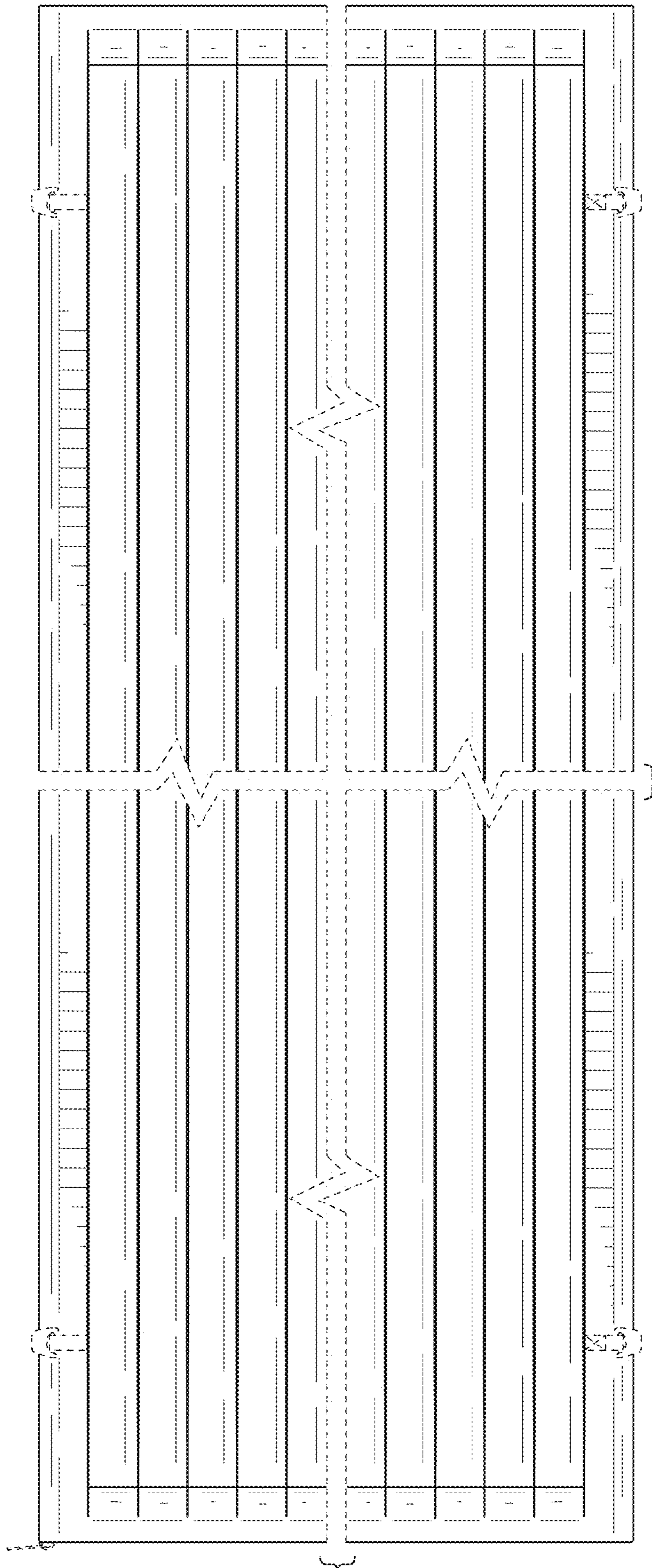


FIG. 17

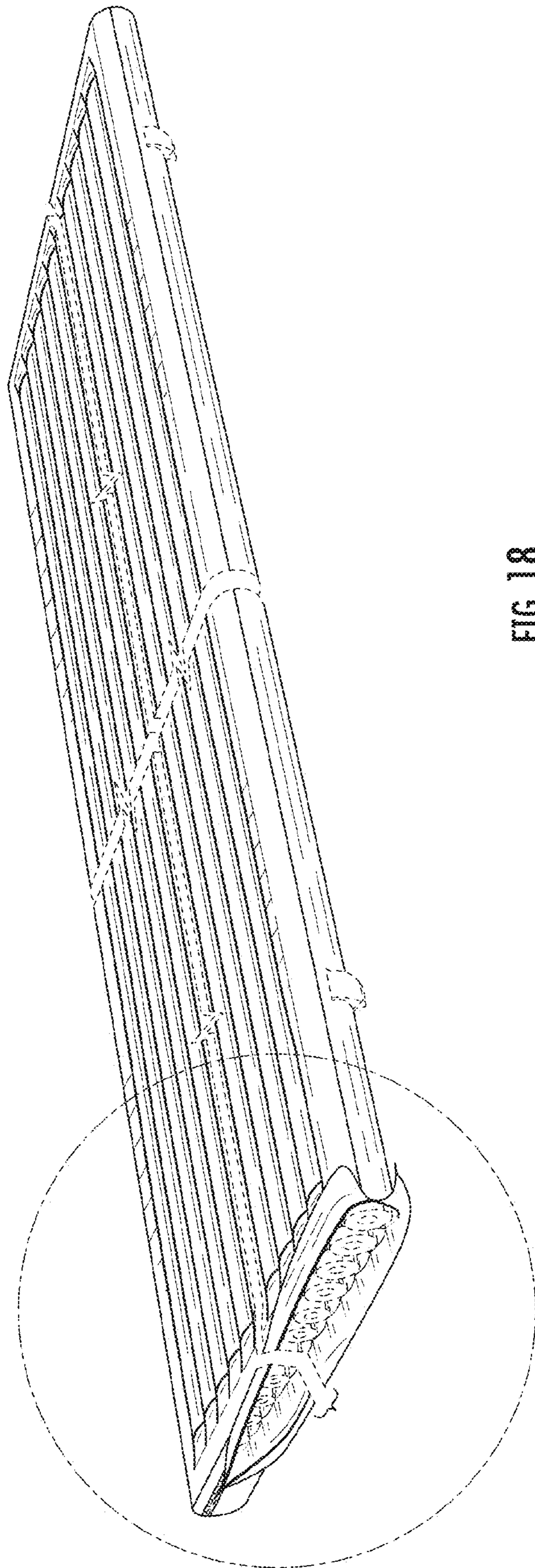


FIG. 18

FIG. 19

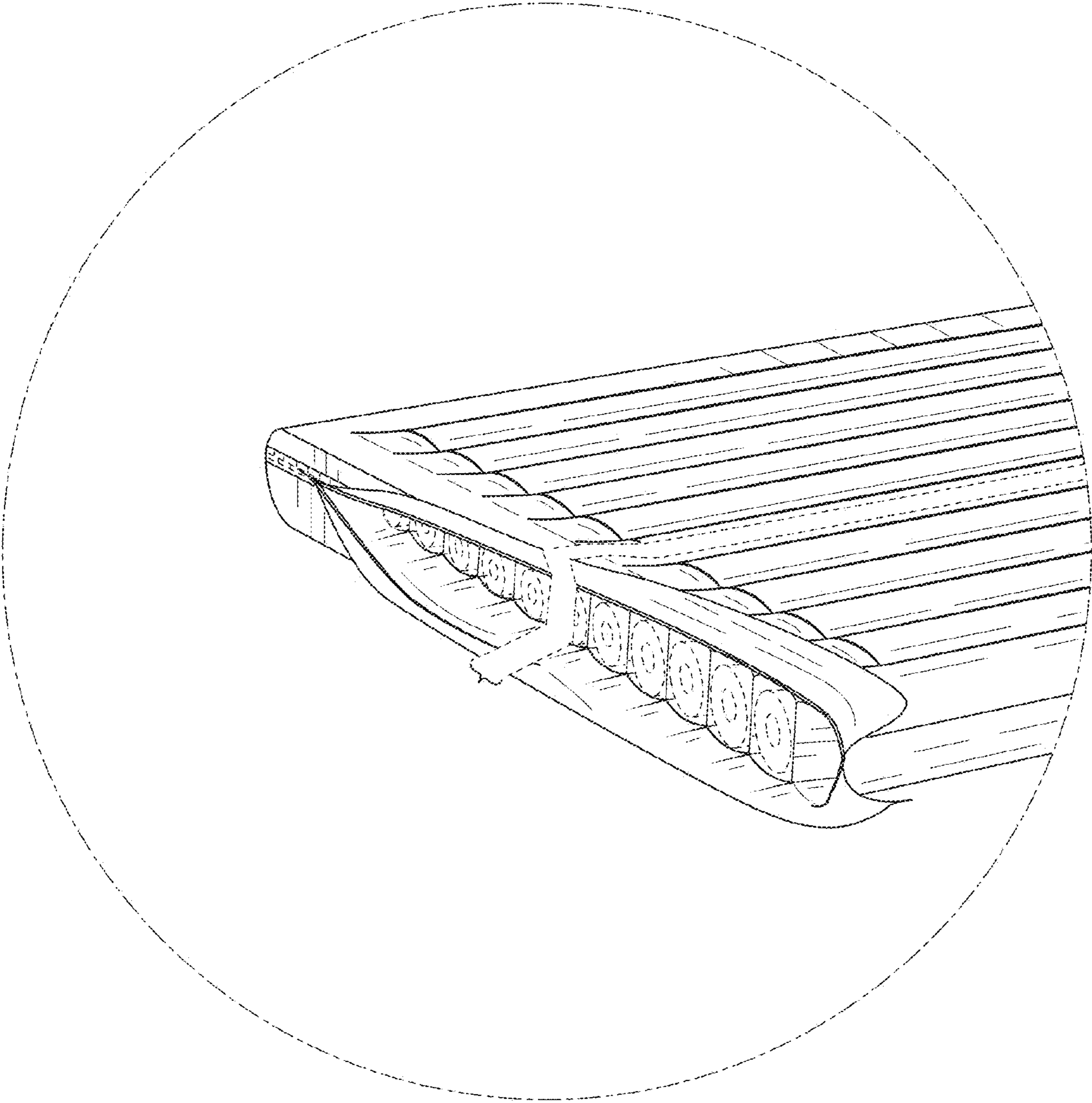


FIG. 19

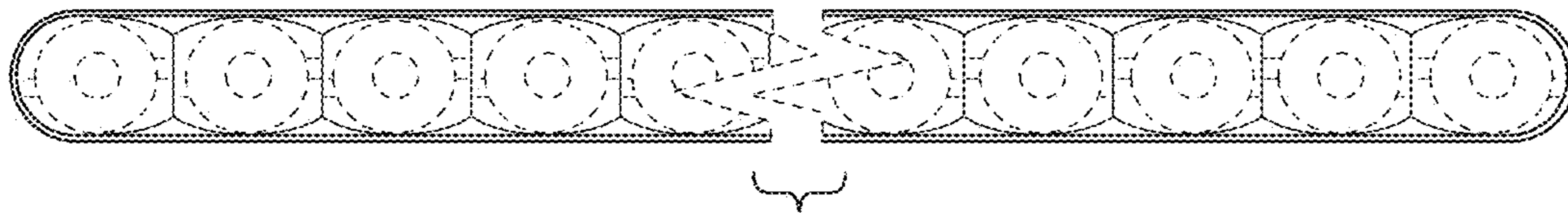


FIG. 20

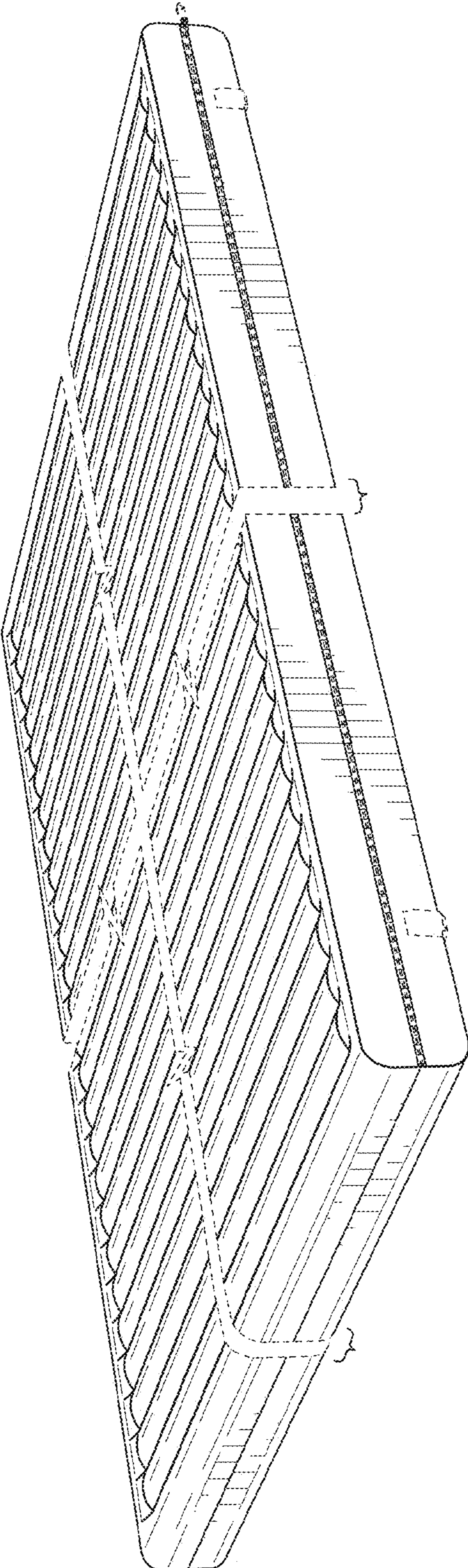


FIG. 21

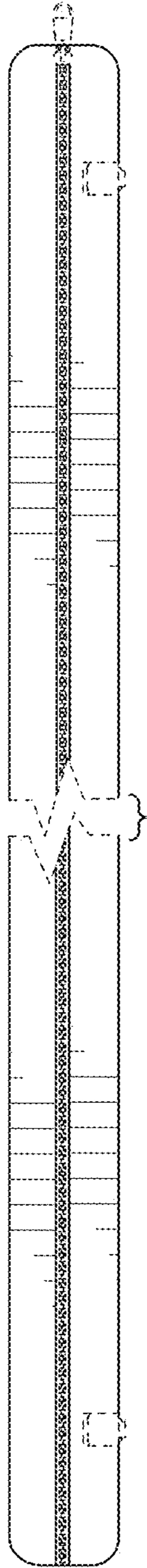


FIG. 22

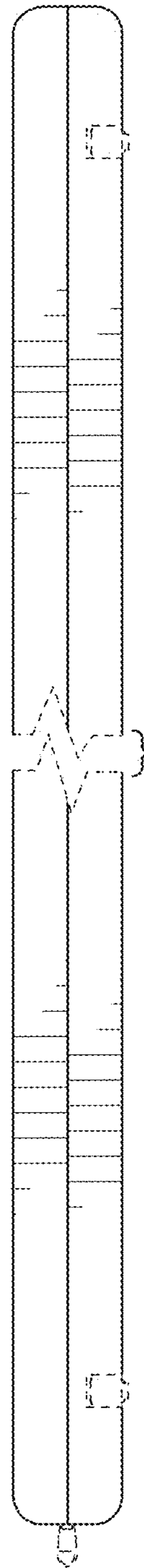


FIG. 23

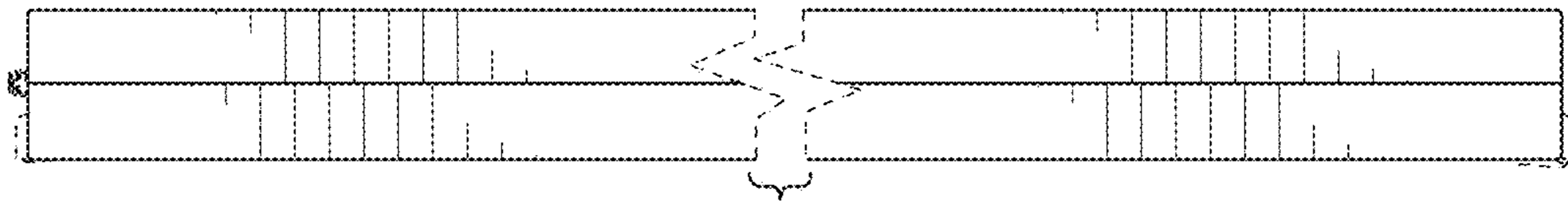


FIG. 24

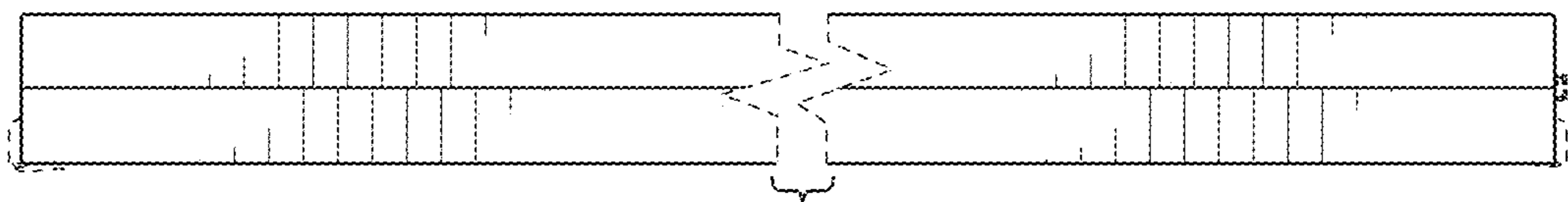


FIG. 25

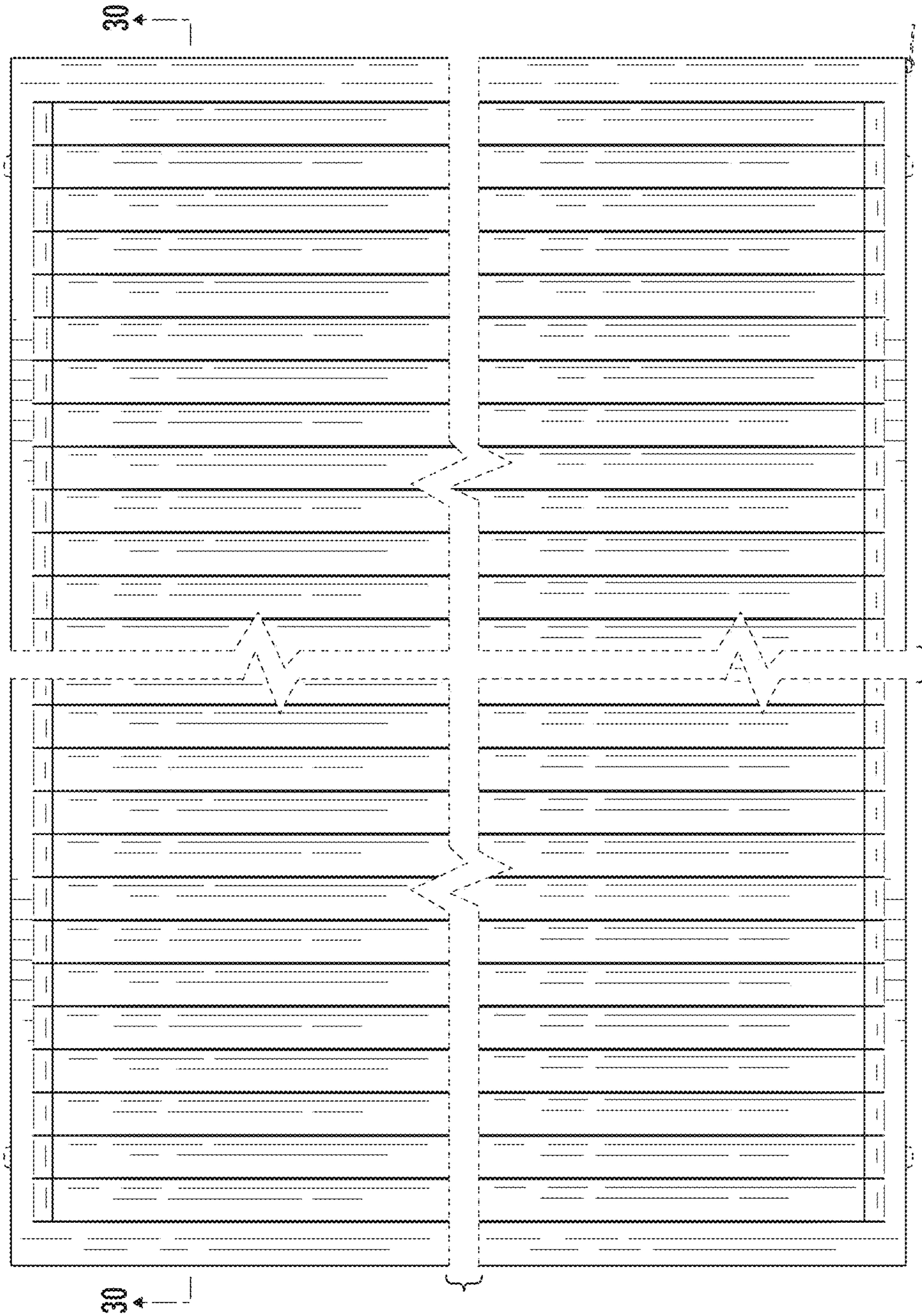


FIG. 26

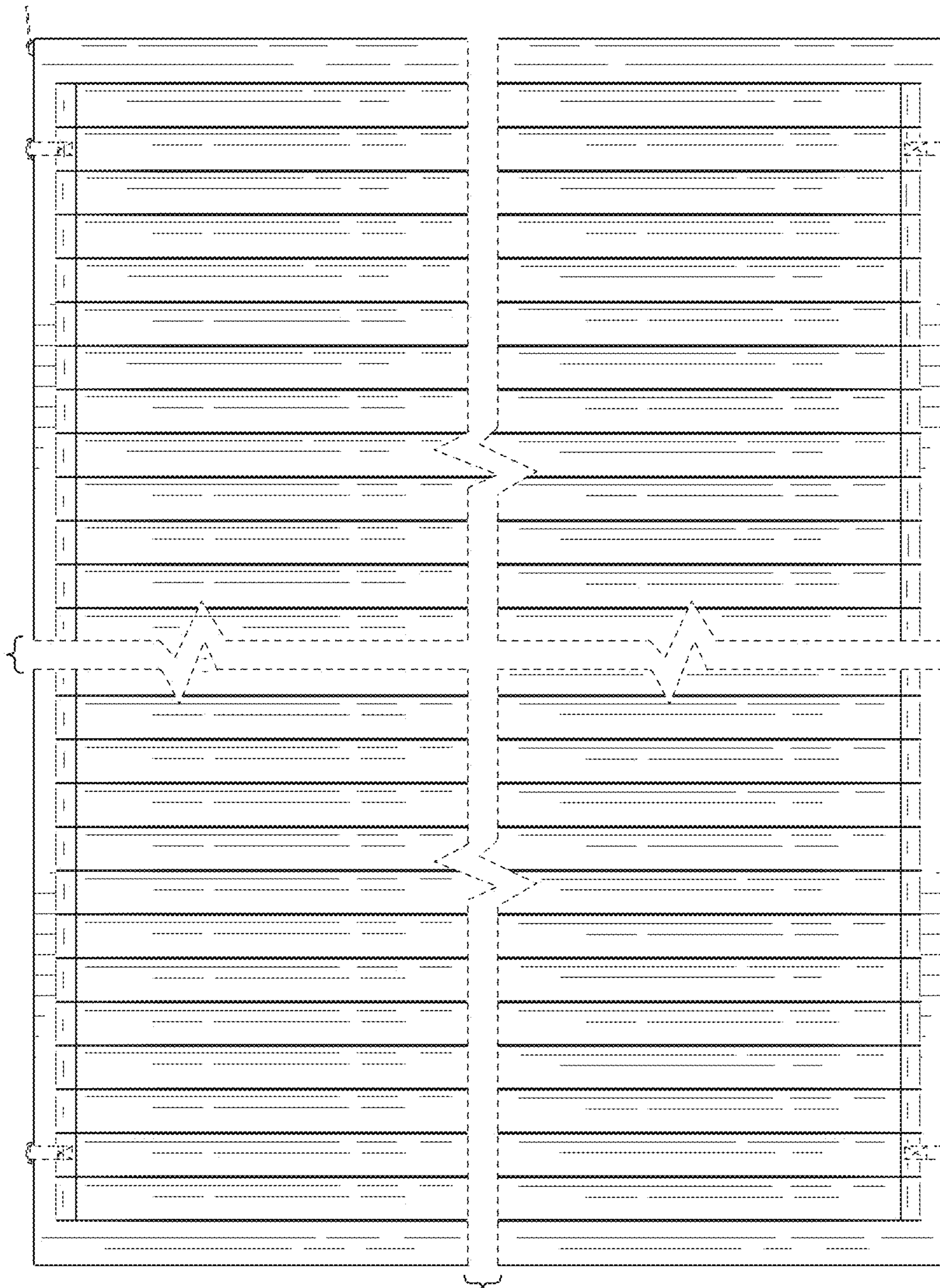


FIG. 27

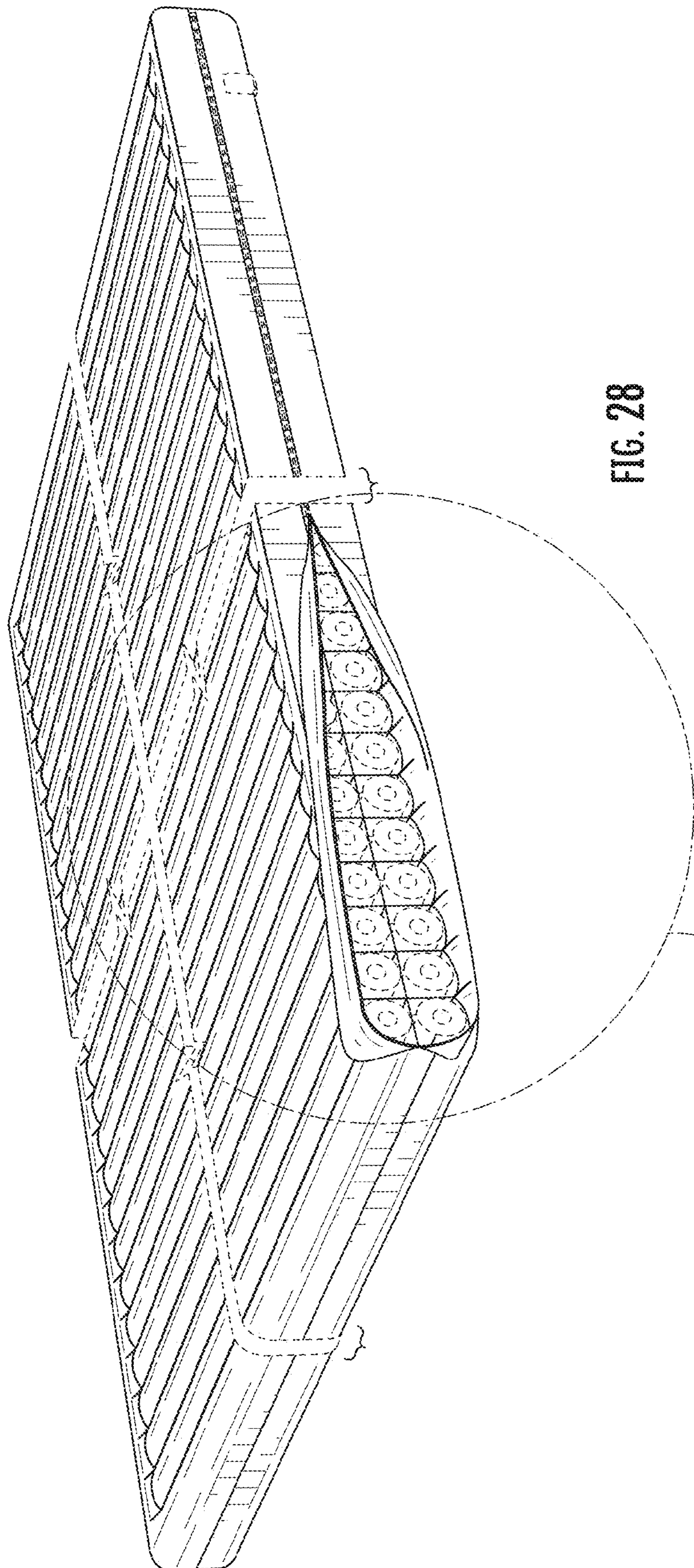


FIG. 28

FIG. 29

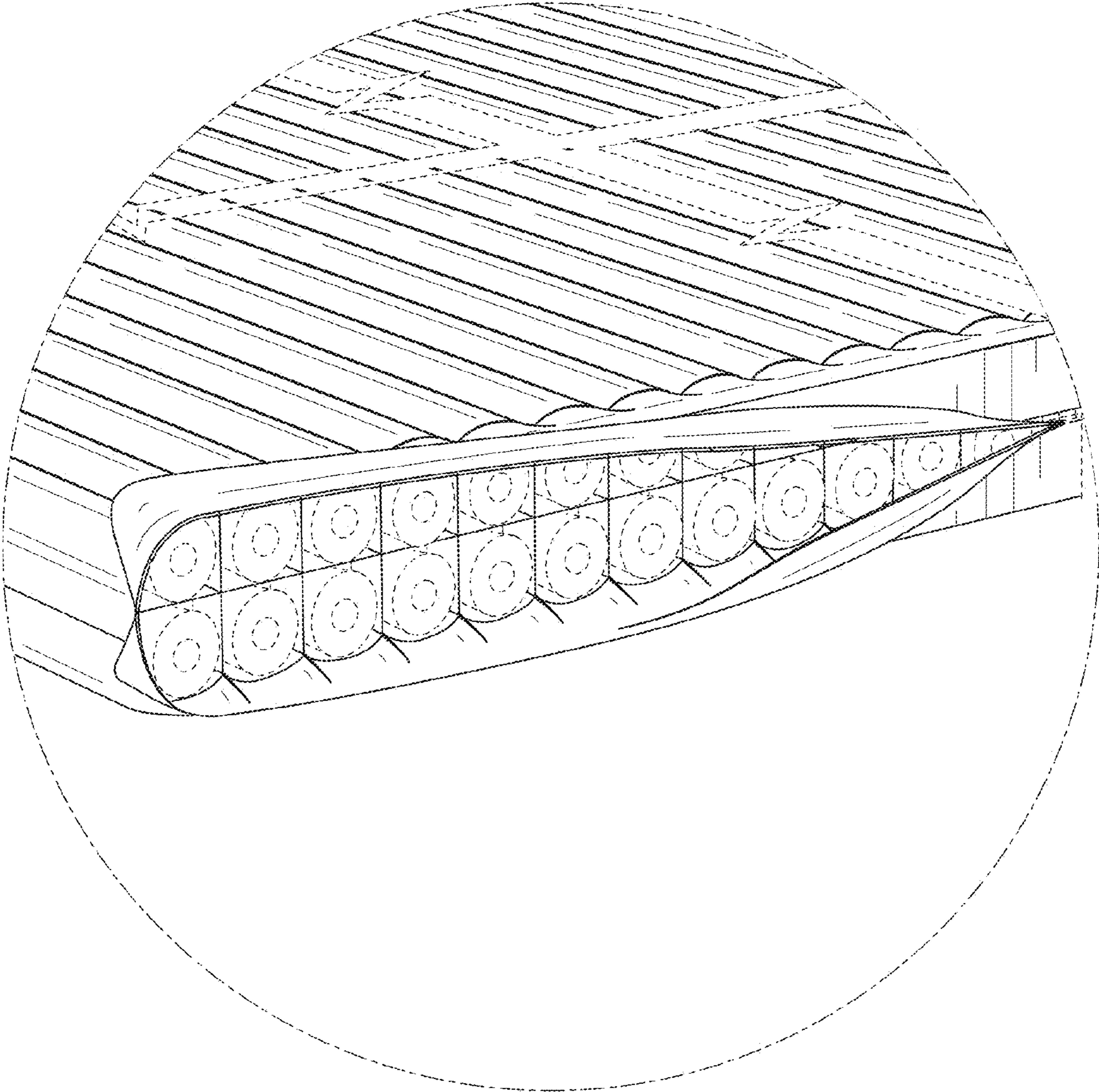


FIG. 29

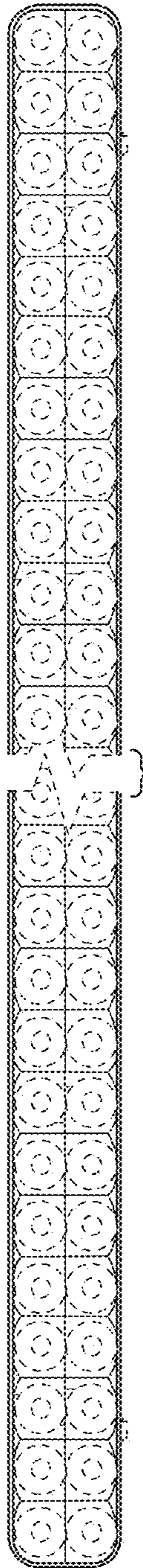


FIG. 30

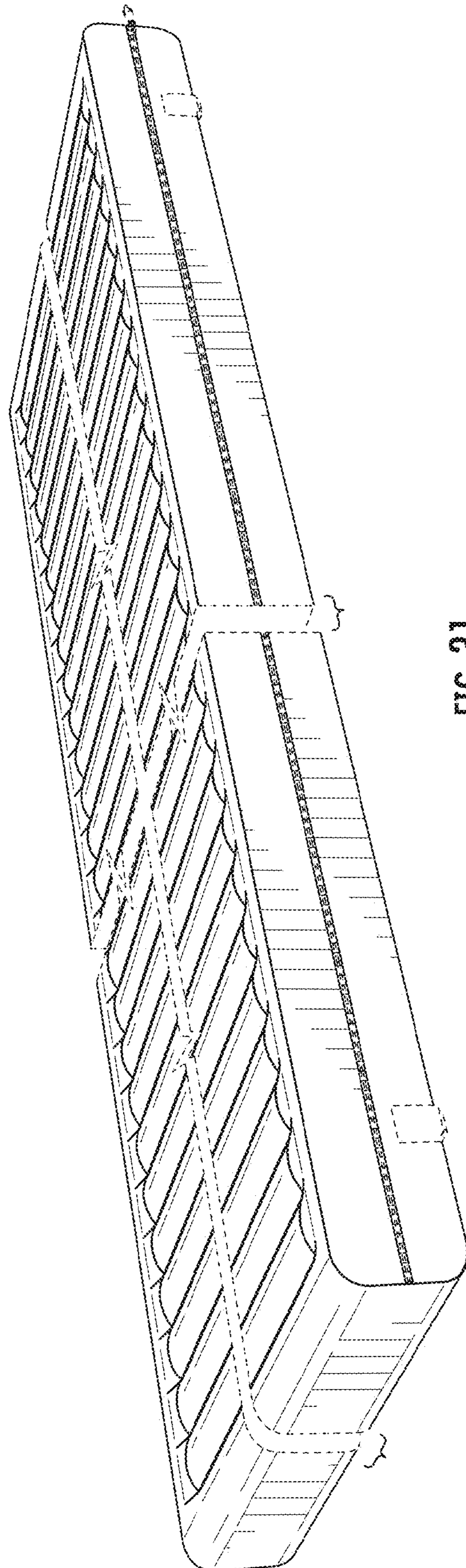


FIG. 31

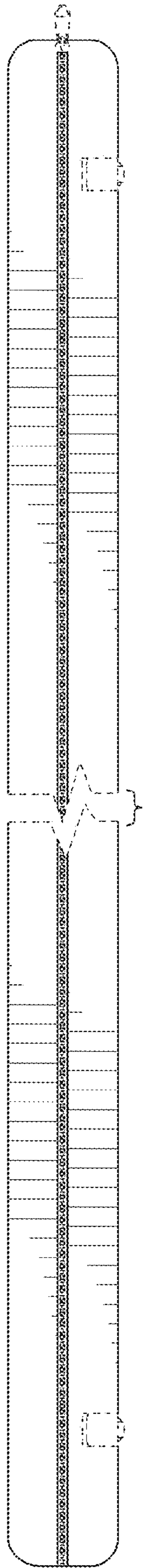


FIG. 32

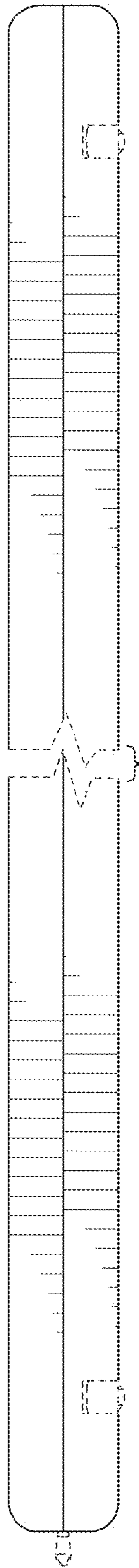


FIG. 33

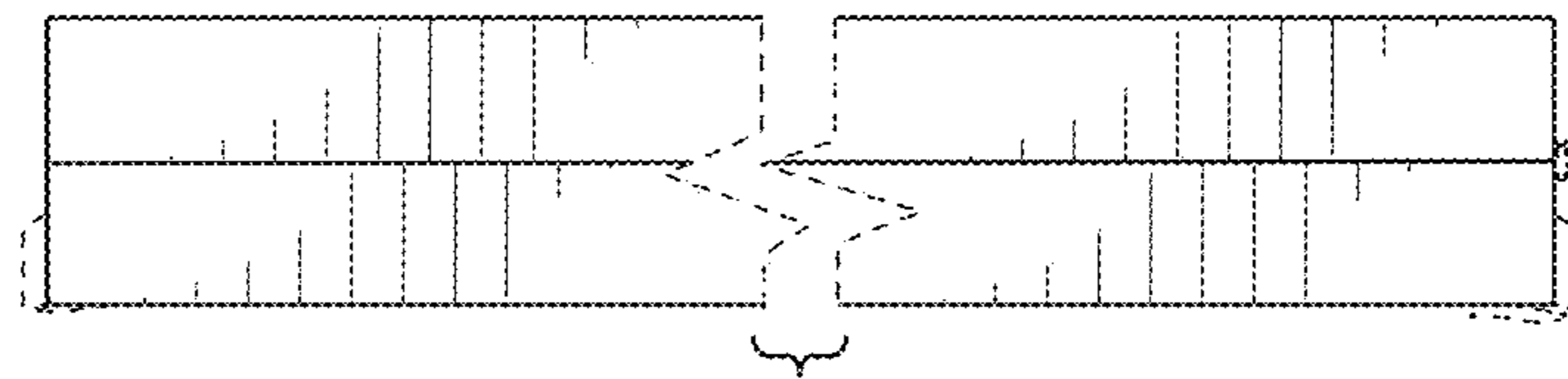


FIG. 34

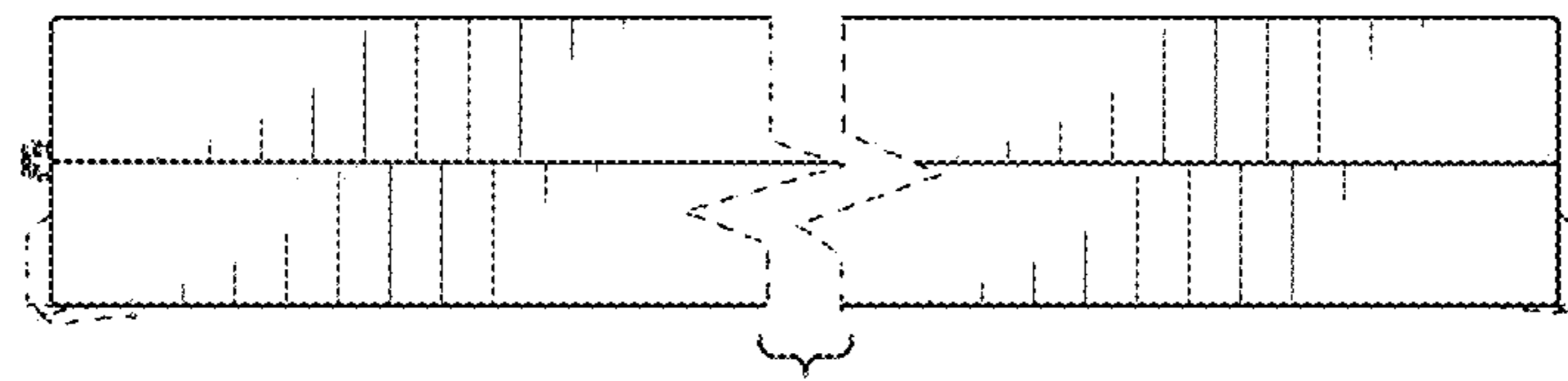


FIG. 35

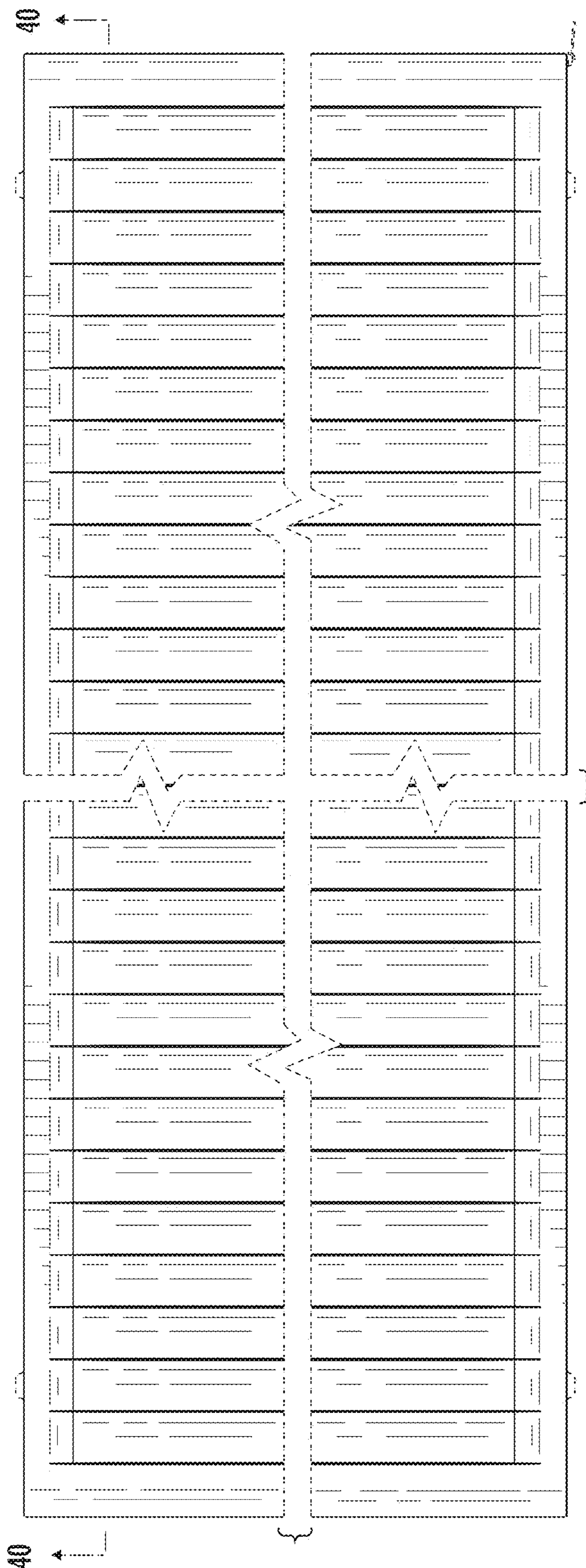


FIG. 36

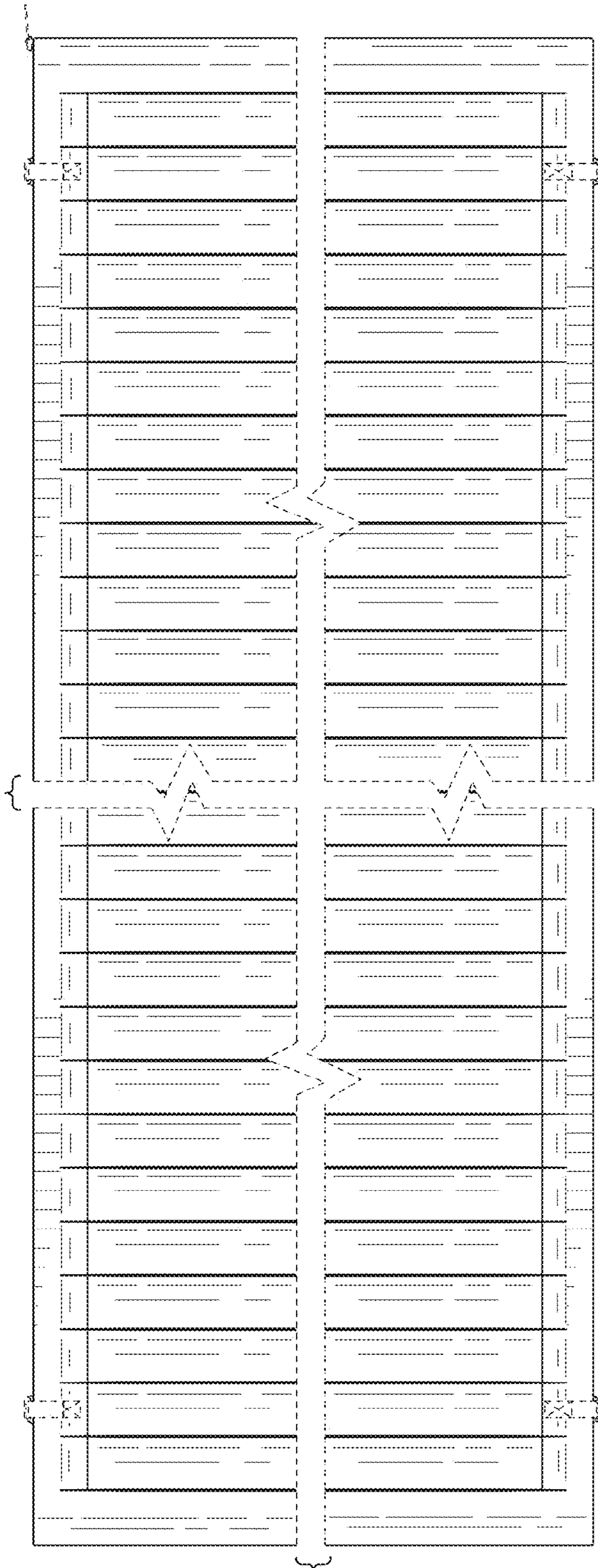


FIG. 37

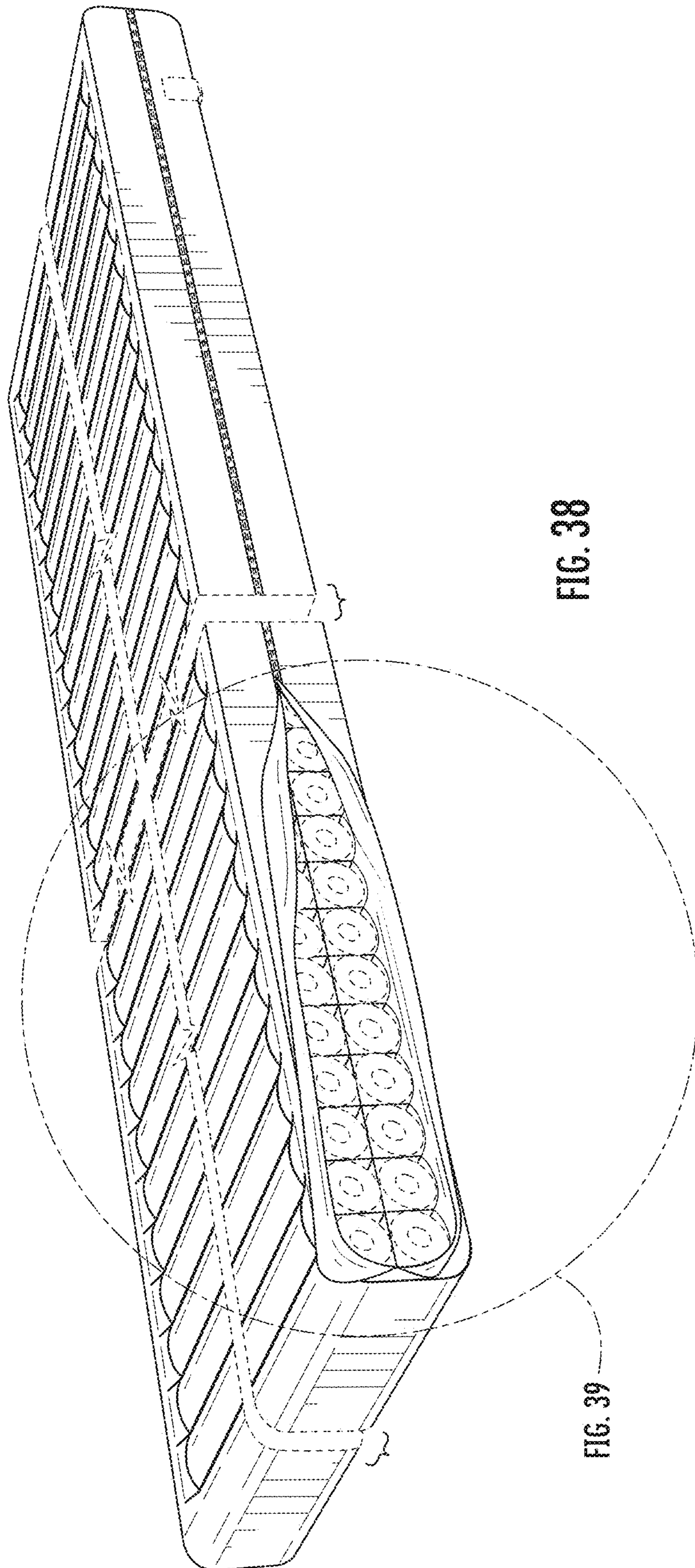


FIG. 38

FIG. 39

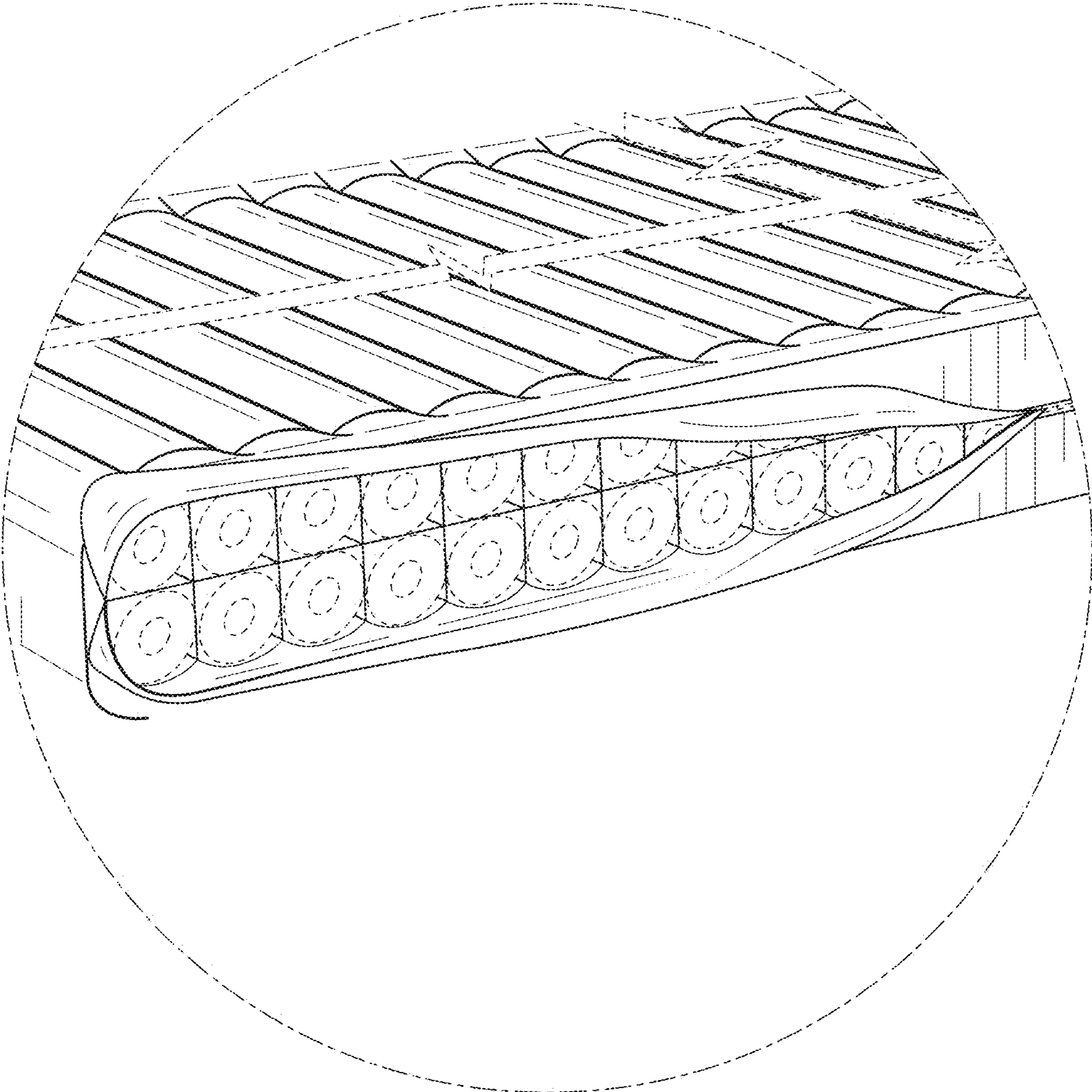


FIG. 39

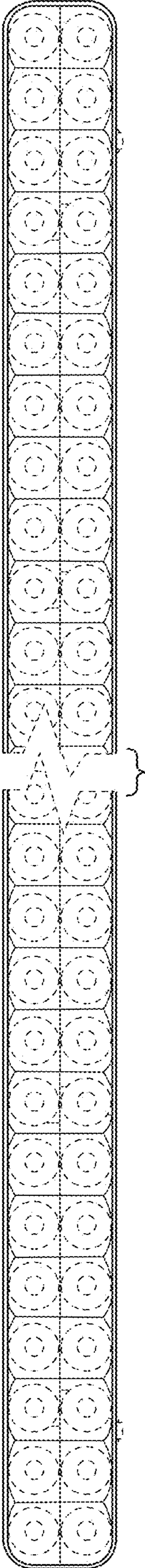


FIG. 40

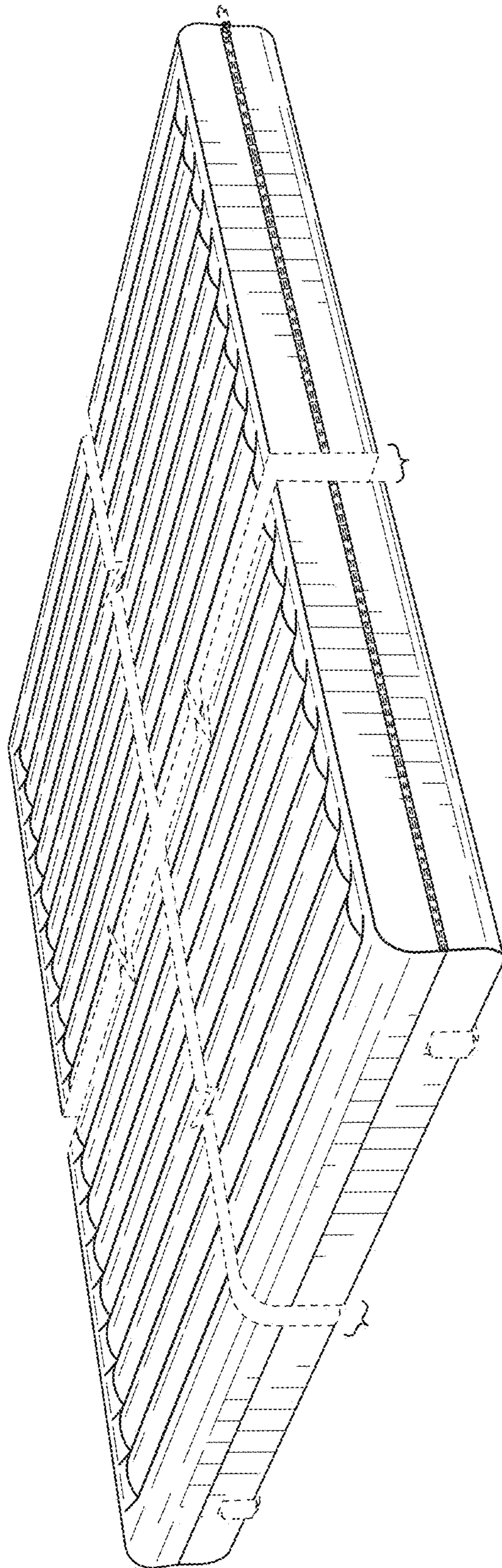


FIG. 41

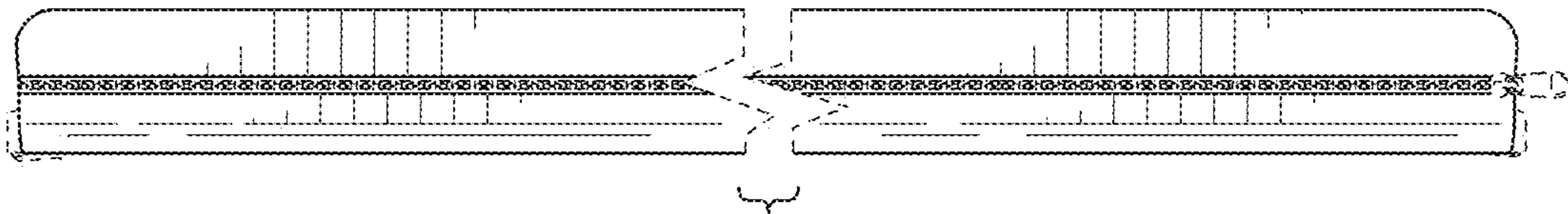


FIG. 42

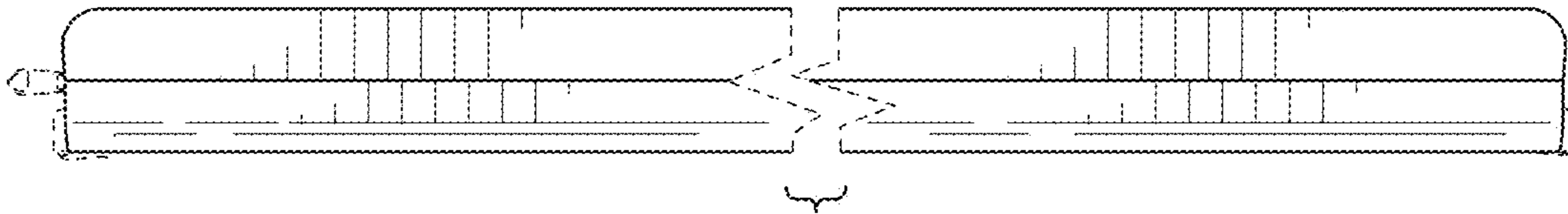


FIG. 43

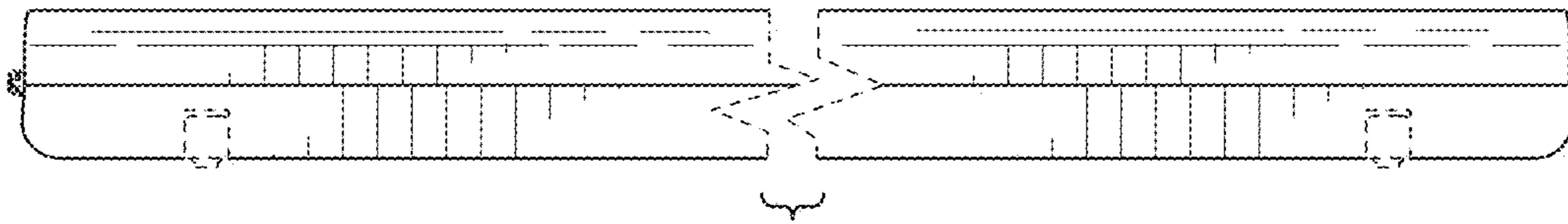


FIG. 44

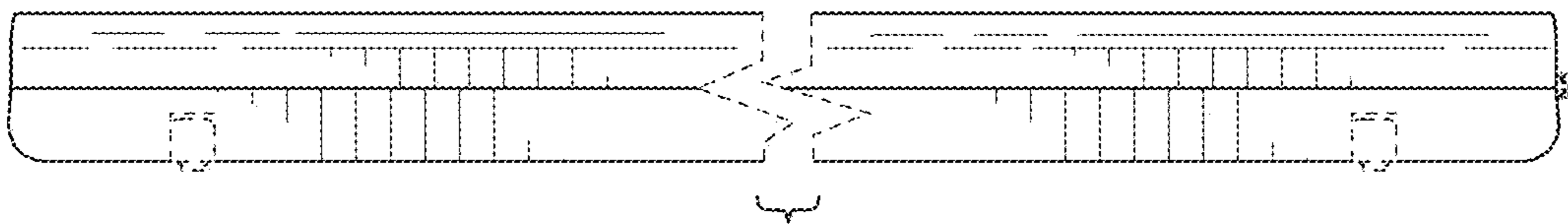


FIG. 45

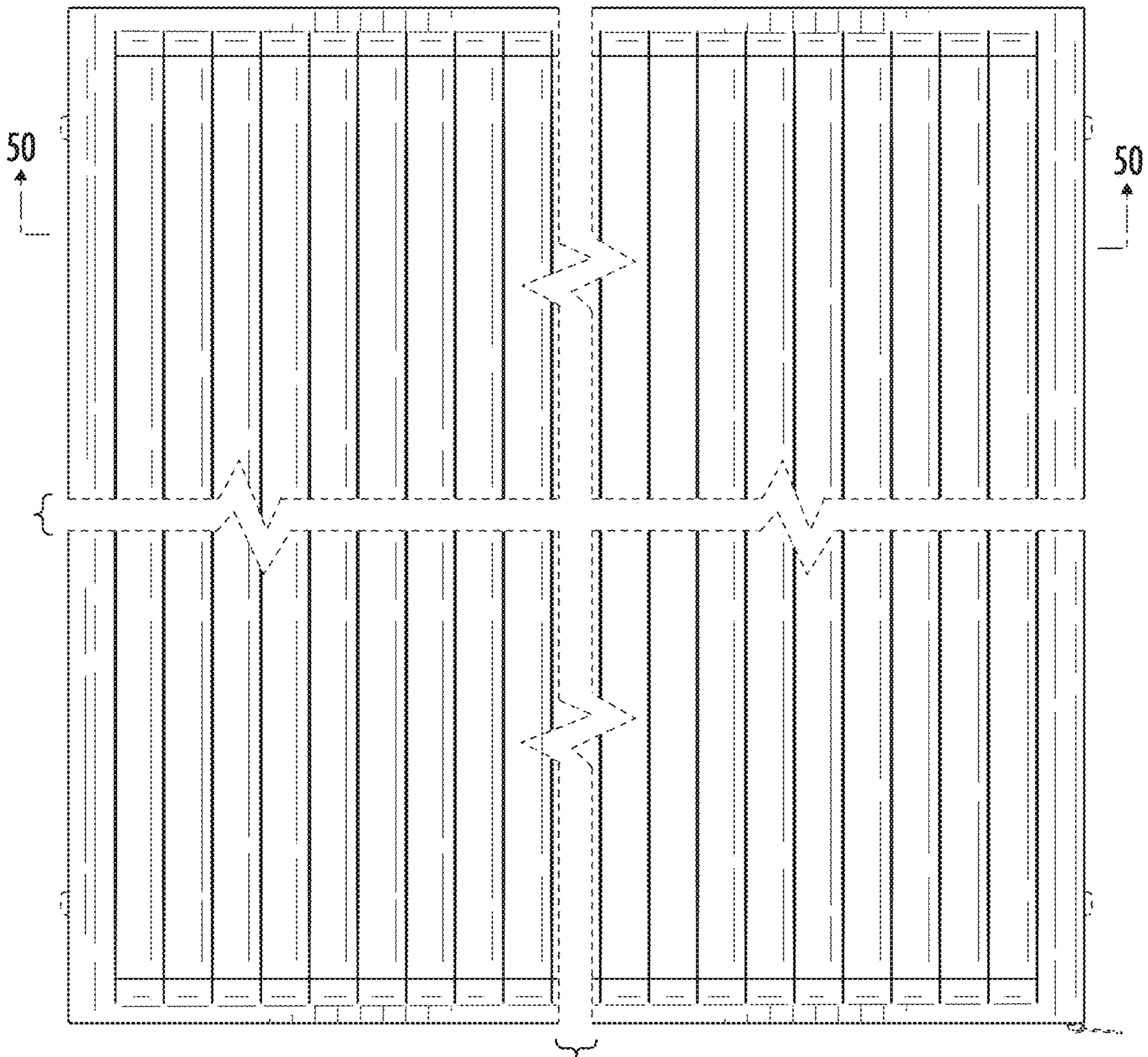


FIG. 46

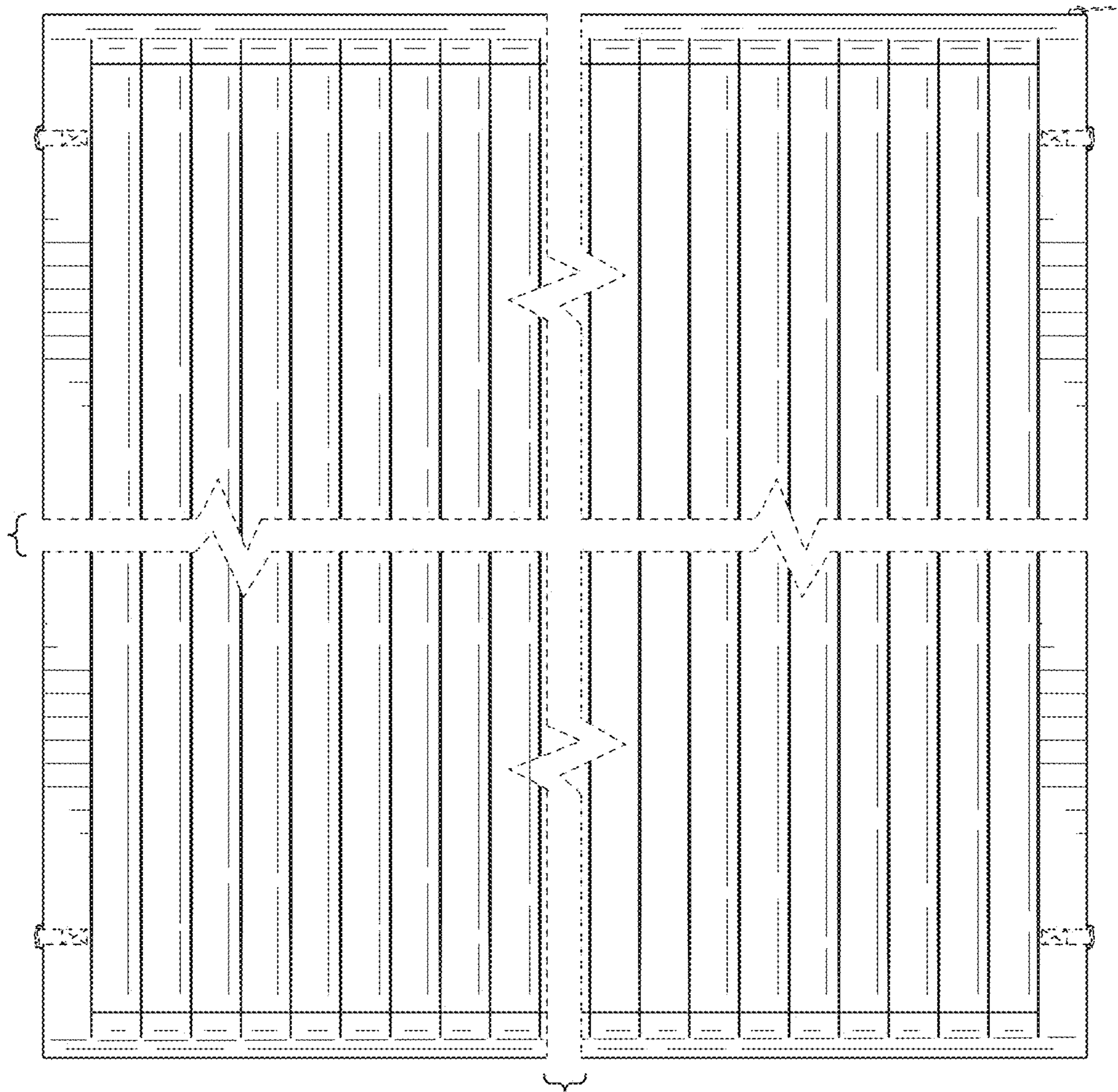


FIG. 47

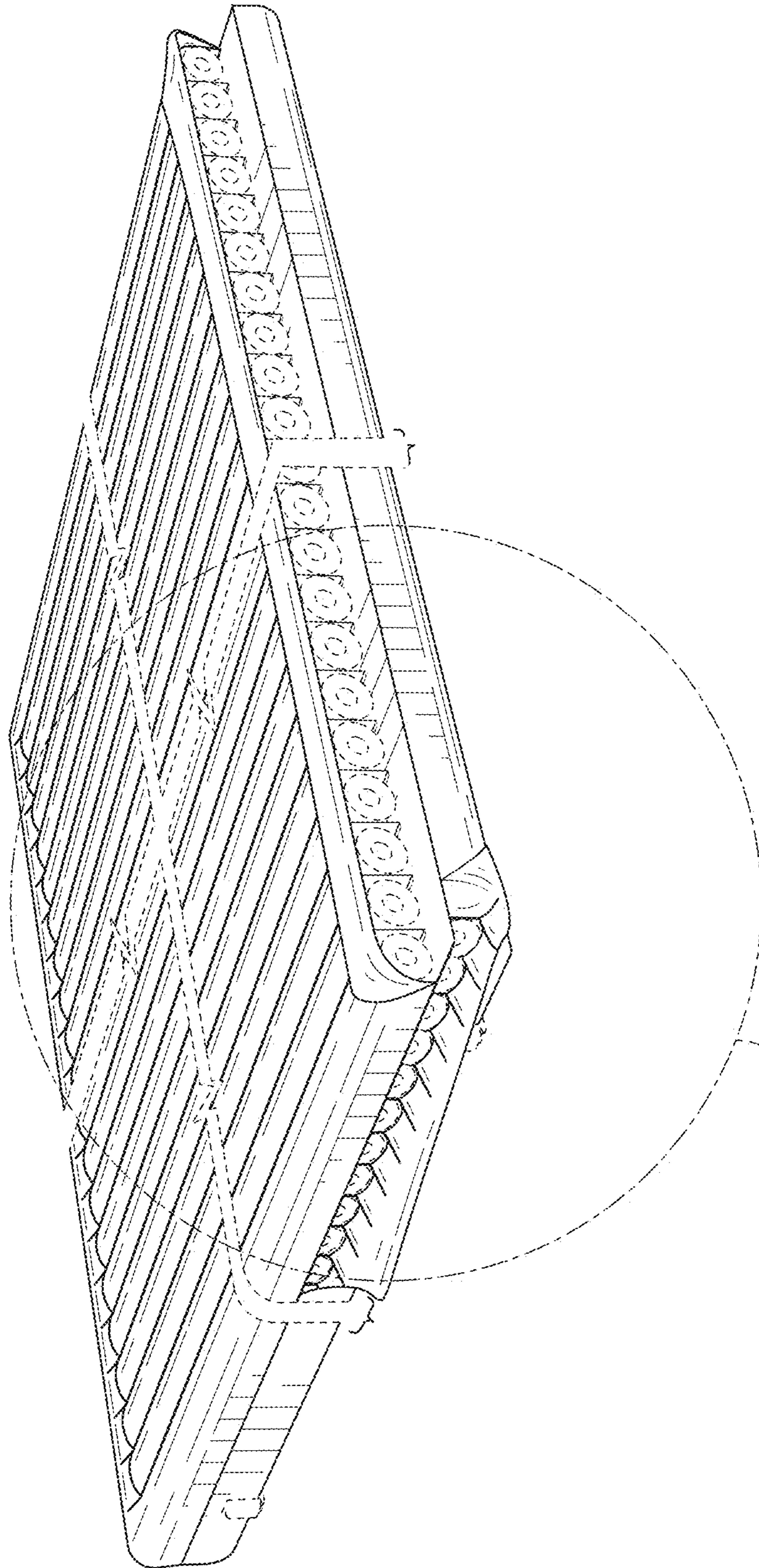


FIG. 48

FIG. 49

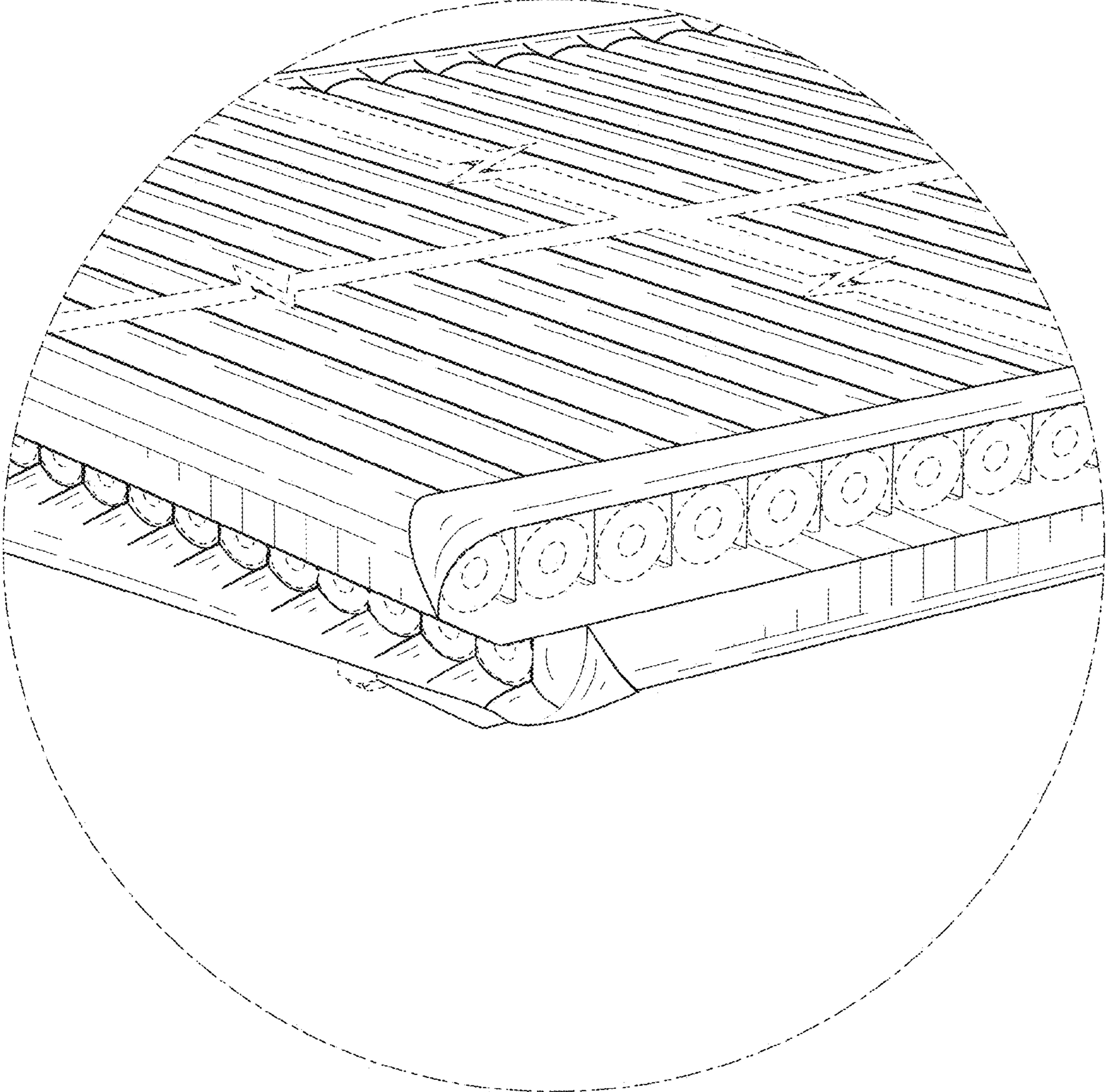


FIG. 49

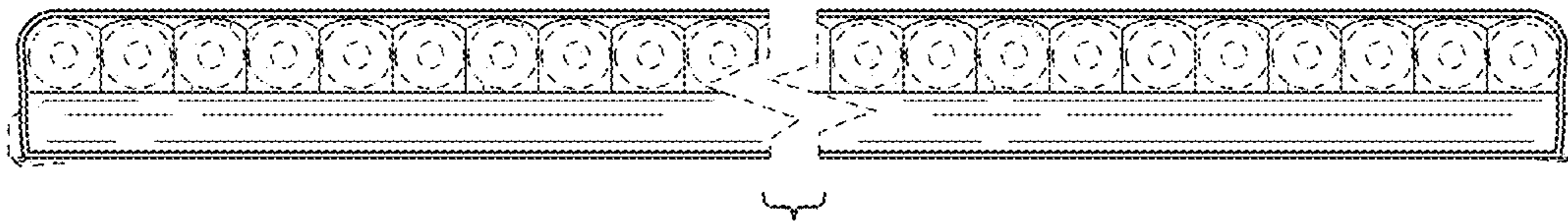


FIG. 50