



US00D900265S

(12) **United States Design Patent**  
**Cameron**

(10) **Patent No.:** **US D900,265 S**

(45) **Date of Patent:** **\*\* Oct. 27, 2020**

(54) **PUTTER GOLF CLUB HEAD**

(71) Applicant: **Acushnet Company**, Fairhaven, MA (US)

(72) Inventor: **Don T. Cameron**, Carlsbad, CA (US)

(73) Assignee: **Acushnet Company**, Fairhaven, MA (US)

(\*\*) Term: **15 Years**

(21) Appl. No.: **29/695,635**

(22) Filed: **Jun. 20, 2019**

(51) **LOC (12) Cl.** ..... **21-02**

(52) **U.S. Cl.**  
USPC ..... **D21/759**

(58) **Field of Classification Search**  
USPC ..... D21/736-746, 759  
CPC ..... A63B 53/00; A63B 53/04; A63B 53/007;  
A63B 53/065; A63B 53/0487; A63B  
60/00; A63B 60/46  
See application file for complete search history.

(56) **References Cited**

**U.S. PATENT DOCUMENTS**

873,423	A *	12/1907	Govan	.....	A63B 53/047 473/330
922,444	A *	5/1909	Youds	.....	A63B 53/047 473/342
RE19,178	E *	5/1934	Spiker	.....	A63B 53/0487 473/251
D385,609	S *	10/1997	Cameron	.....	D21/742
D389,207	S *	1/1998	Cameron	.....	D21/742
5,839,974	A *	11/1998	McAllister	.....	A63B 53/0487 473/337
D431,854	S *	10/2000	Cameron	.....	D21/759
D437,374	S *	2/2001	Cameron	.....	D21/759
D441,820	S *	5/2001	Nicolette	.....	D21/738
D450,799	S *	11/2001	Nicolette	.....	D21/736

(Continued)

**OTHER PUBLICATIONS**

U.S. Appl. No. 29/695,639, filed Jun. 20, 2019, Don T. Cameron.  
(Continued)

*Primary Examiner* — Mitchell I. Siegel

(74) *Attorney, Agent, or Firm* — Randy K. Chang

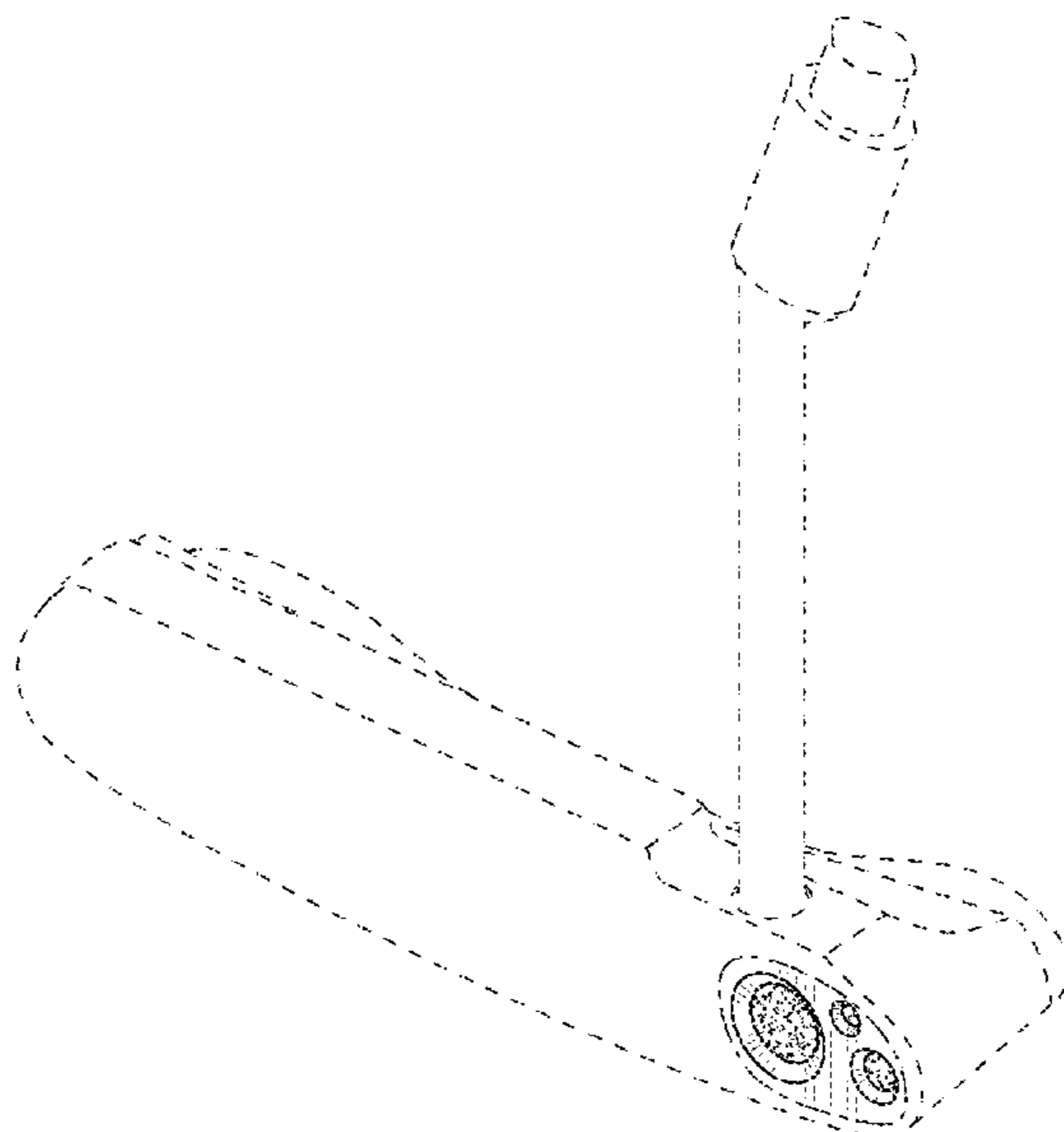
(57) **CLAIM**

The ornamental design for putter golf club head, as shown and described.

**DESCRIPTION**

FIG. 1 is a front perspective view of a putter golf club head in accordance with my invention showing my design;  
 FIG. 2 is a top plan view thereof;  
 FIG. 3 is a bottom plan view thereof;  
 FIG. 4 is front elevation view a thereof;  
 FIG. 5 is a heel end view thereof;  
 FIG. 6 is a rear elevational view thereof;  
 FIG. 7 is a toe end view thereof;  
 FIG. 8 is a rear perspective view showing the design in an alternate position in its environment;  
 FIG. 9 is a top plan view of FIG. 8;  
 FIG. 10 is a bottom plan view of FIG. 8;  
 FIG. 11 is front elevation view of FIG. 8;  
 FIG. 12 is a heel end view of FIG. 8;  
 FIG. 13 is a rear elevational view of FIG. 8;  
 FIG. 14 is a toe end view of FIG. 8;  
 FIG. 15 is a rear perspective view showing the design in an another alternate position in its environment;  
 FIG. 16 is a top plan view of FIG. 15;  
 FIG. 17 is a bottom plan view of FIG. 15;  
 FIG. 18 is front elevation view of FIG. 15;  
 FIG. 19 is a heel end view of FIG. 15;  
 FIG. 20 is a rear elevational view of FIG. 15; and,  
 FIG. 21 is a toe end view of FIG. 15.  
 The broken lines in the figures show environment for the putter club head that forms no part of the claimed design.

**1 Claim, 9 Drawing Sheets**



(56)

**References Cited**

U.S. PATENT DOCUMENTS

D482,088	S	*	11/2003	DeLaCruz	.....	D21/743
D512,116	S	*	11/2005	Miraflor	.....	D21/759
D536,401	S	*	2/2007	Kawami	.....	D21/759
D536,403	S	*	2/2007	Kawami	.....	D21/759
D538,371	S	*	3/2007	Kawami	.....	D21/759
D543,601	S	*	5/2007	Kawami	.....	D21/759
D555,219	S	*	11/2007	Lin	.....	D21/759
D576,698	S	*	9/2008	Cameron	.....	D21/759
D600,763	S	*	9/2009	Cameron	.....	D21/759
D661,753	S	*	6/2012	Cameron	.....	D21/759
D726,846	S	*	4/2015	Schweigert	.....	D21/743
D739,487	S	*	9/2015	Schweigert	.....	D21/759
D741,426	S	*	10/2015	Schweigert	.....	D21/736
D751,660	S	*	3/2016	Greenlaw	.....	D21/759
D753,252	S	*	4/2016	Schweigert	.....	D21/759
9,364,727	B2	*	6/2016	Parsons	.....	A63B 53/0475
D765,809	S	*	9/2016	Peterson	.....	D21/759
D767,057	S	*	9/2016	Mickelson	.....	D21/747
D769,386	S	*	10/2016	Schweigert	.....	D21/759
D791,891	S	*	7/2017	Davis	.....	D21/736
D794,146	S	*	8/2017	Davis	.....	D21/736
D799,615	S	*	10/2017	Kroloff	.....	D21/736
D834,120	S	*	11/2018	Cameron	.....	D21/759
D834,121	S	*	11/2018	Cameron, Jr.	.....	D21/759
D864,326	S	*	10/2019	Mickelson	.....	D21/747
10,441,858	B2	*	10/2019	Schweigert	.....	A63B 53/065

OTHER PUBLICATIONS

- U.S. Appl. No. 29/695,642, filed Jun. 20, 2019, Don T. Cameron.
- U.S. Appl. No. 29/695,649, filed Jun. 20, 2019, Don T. Cameron.
- U.S. Appl. No. 29/695,653, filed Jun. 20, 2019, Don T. Cameron.

\* cited by examiner

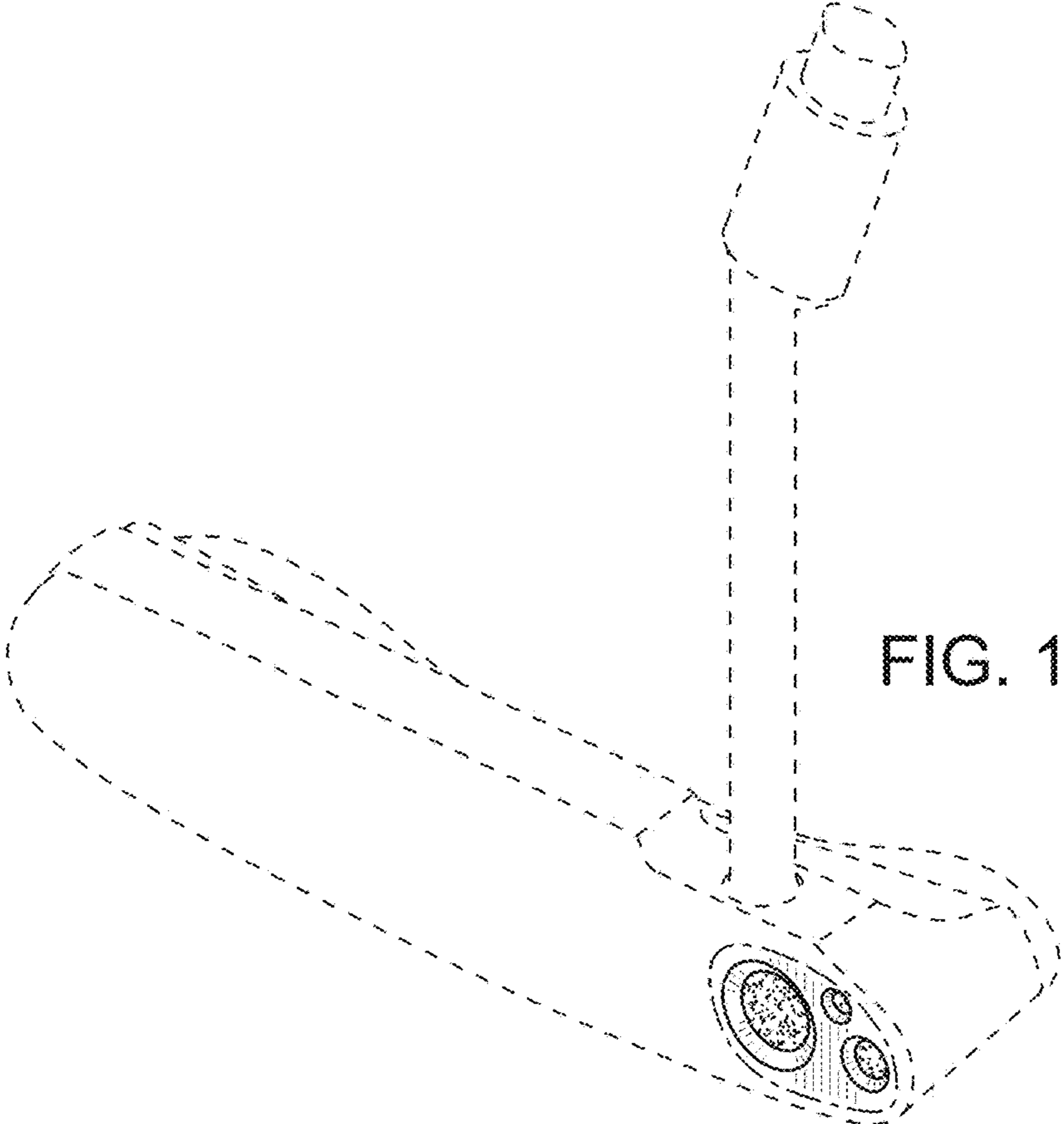


FIG. 1



FIG. 2

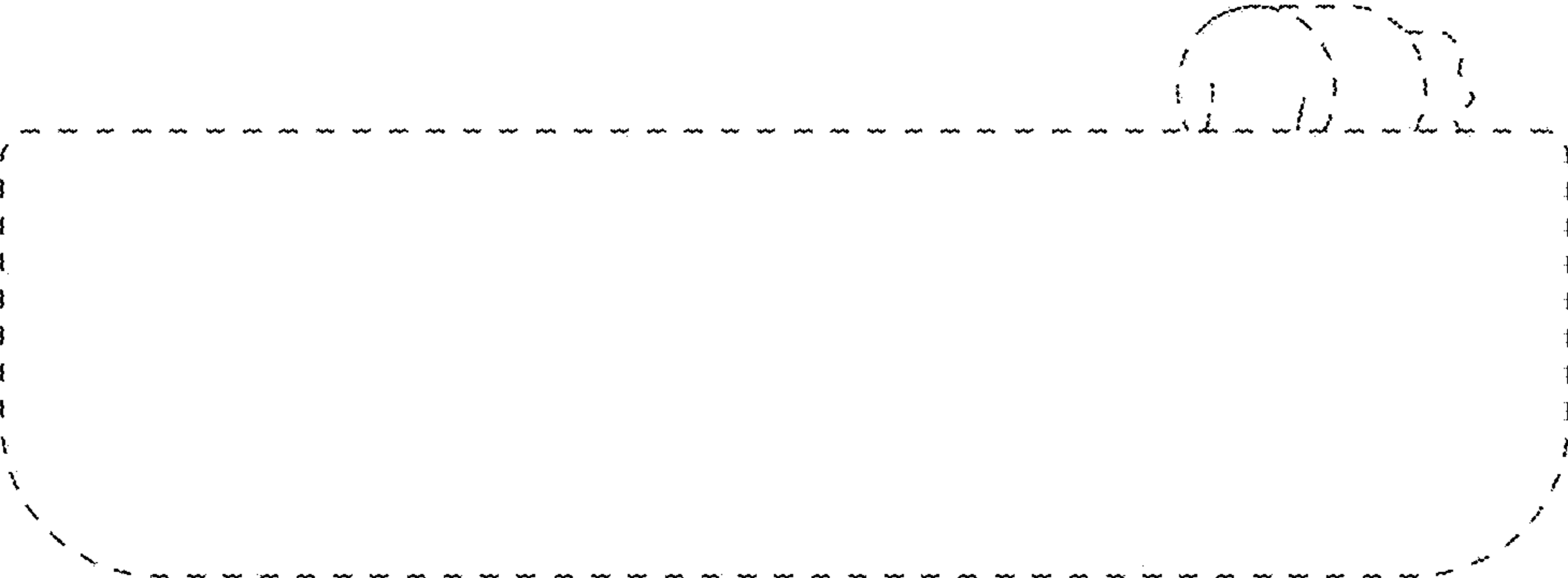
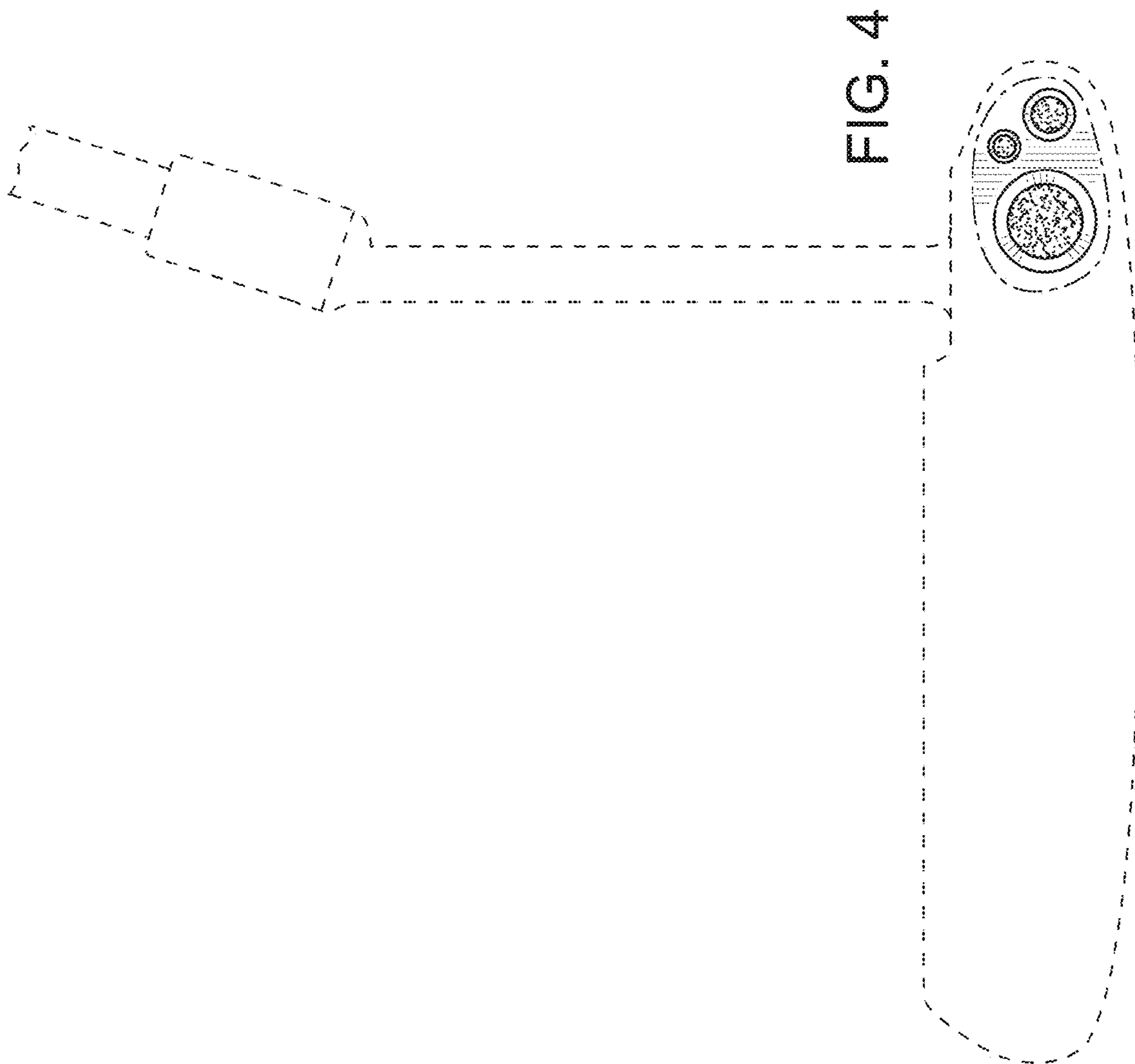
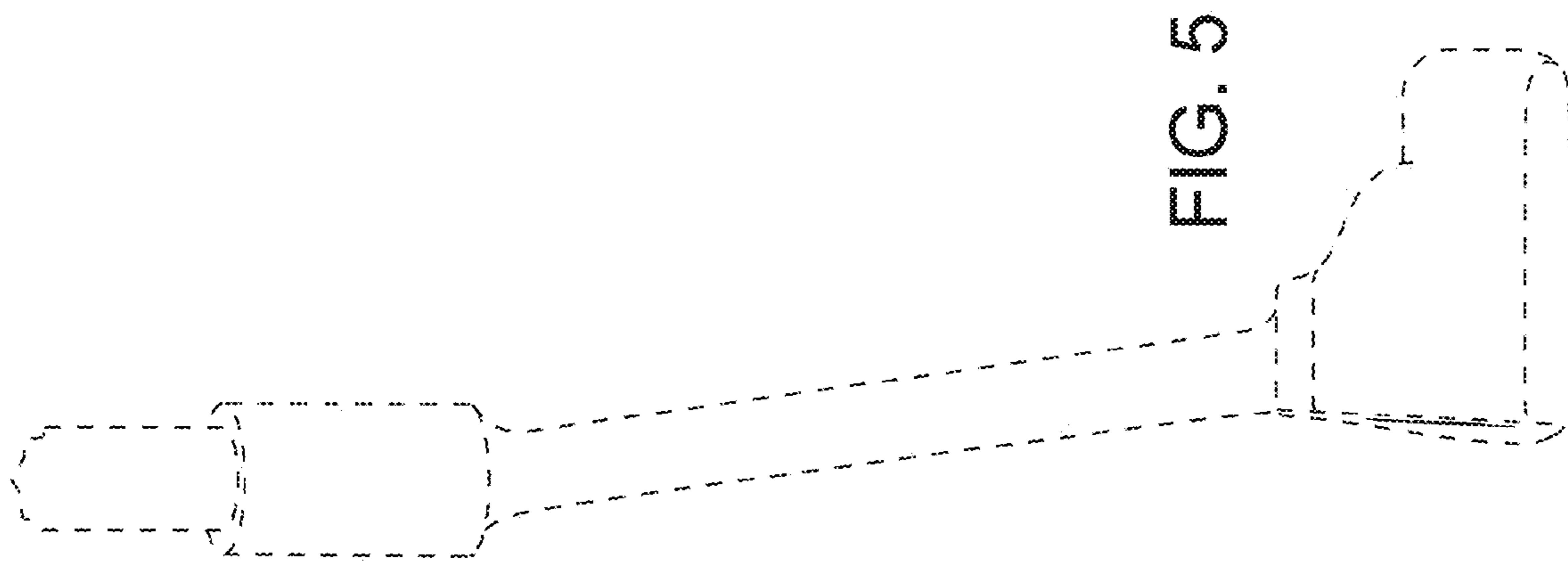


FIG. 3



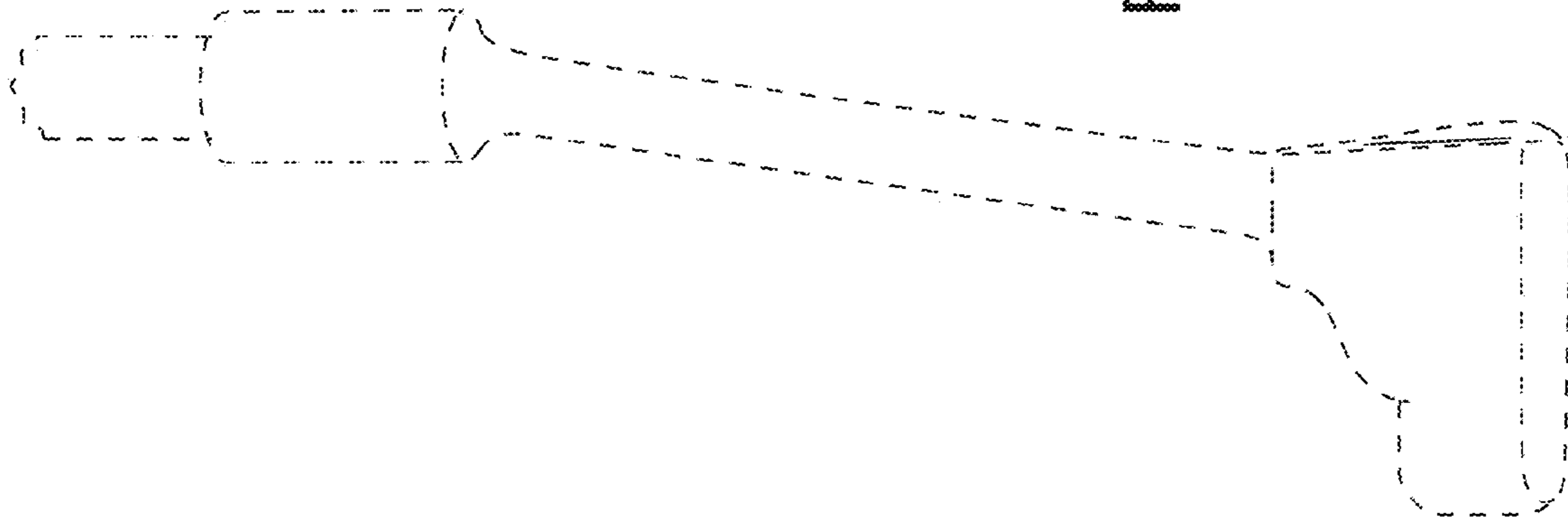


FIG. 7

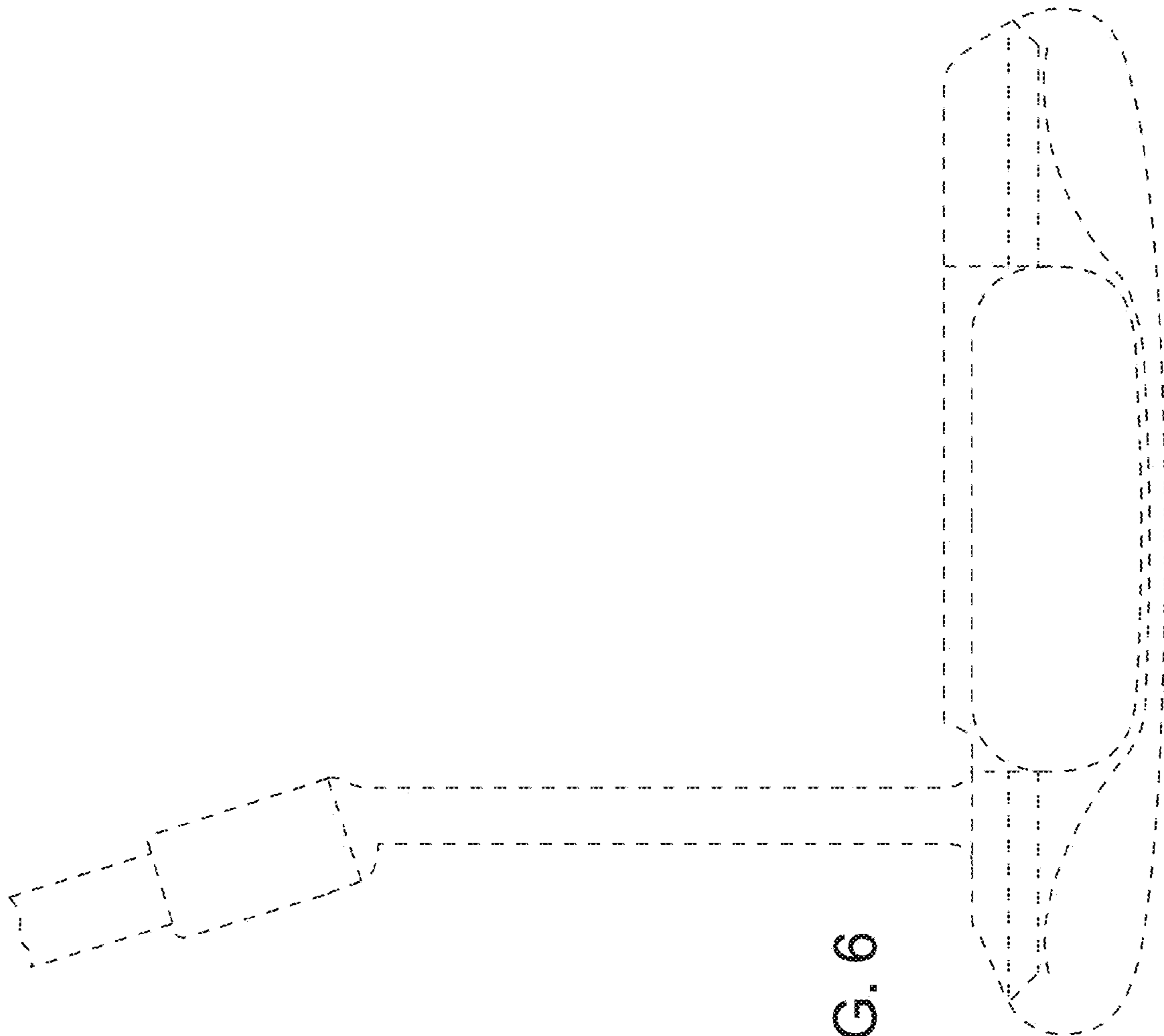


FIG. 6

FIG. 8

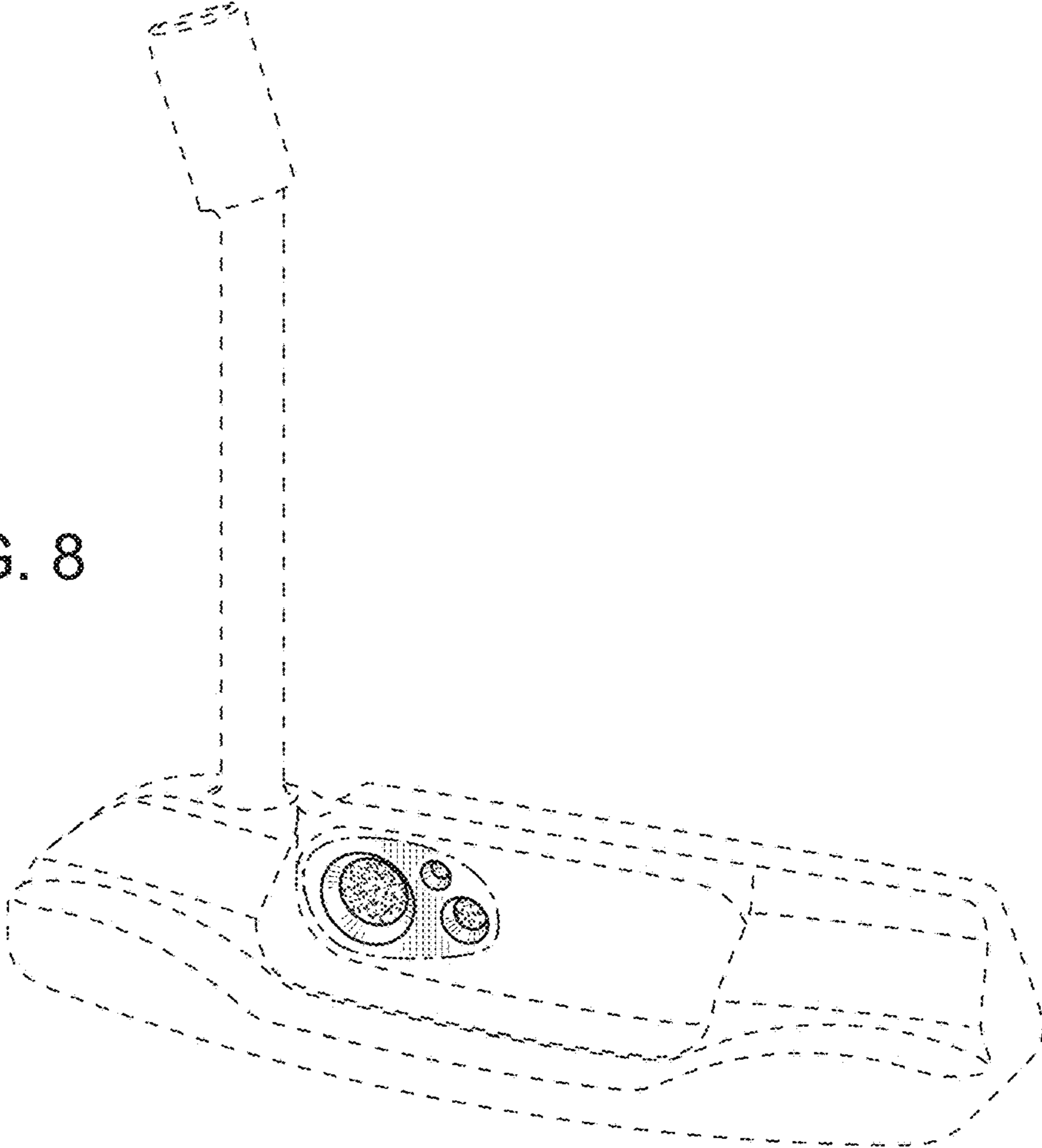


FIG. 9

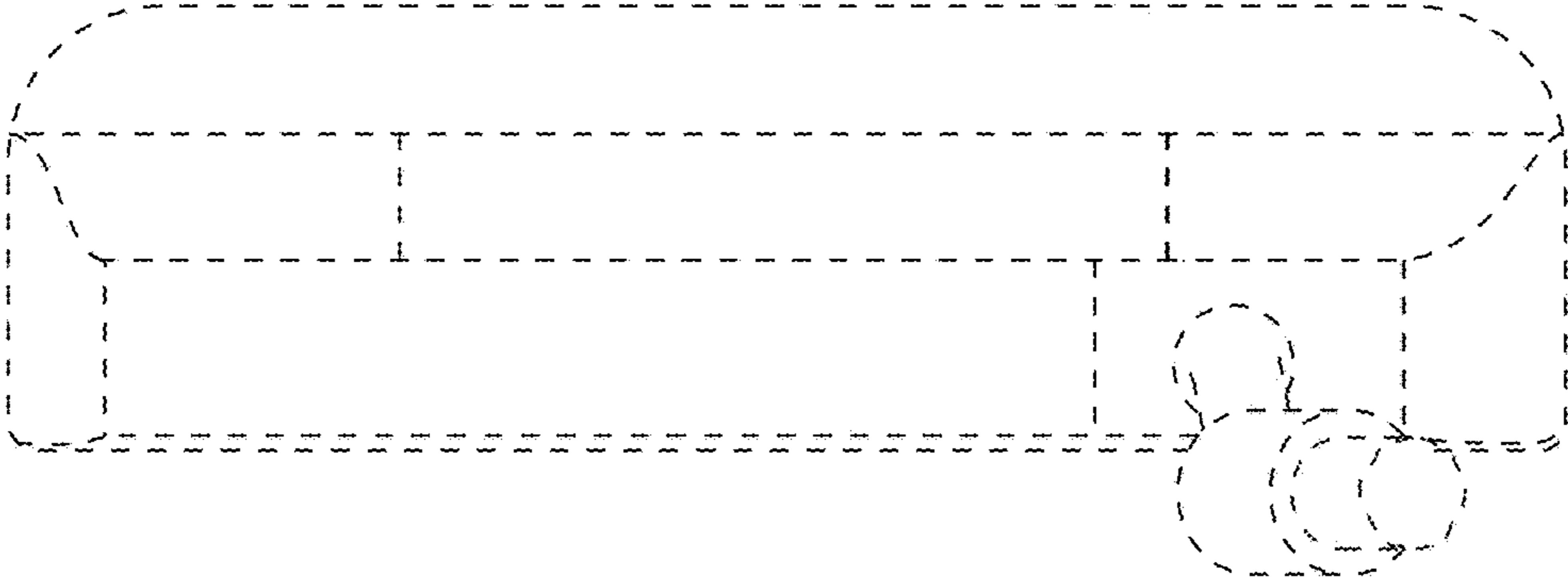
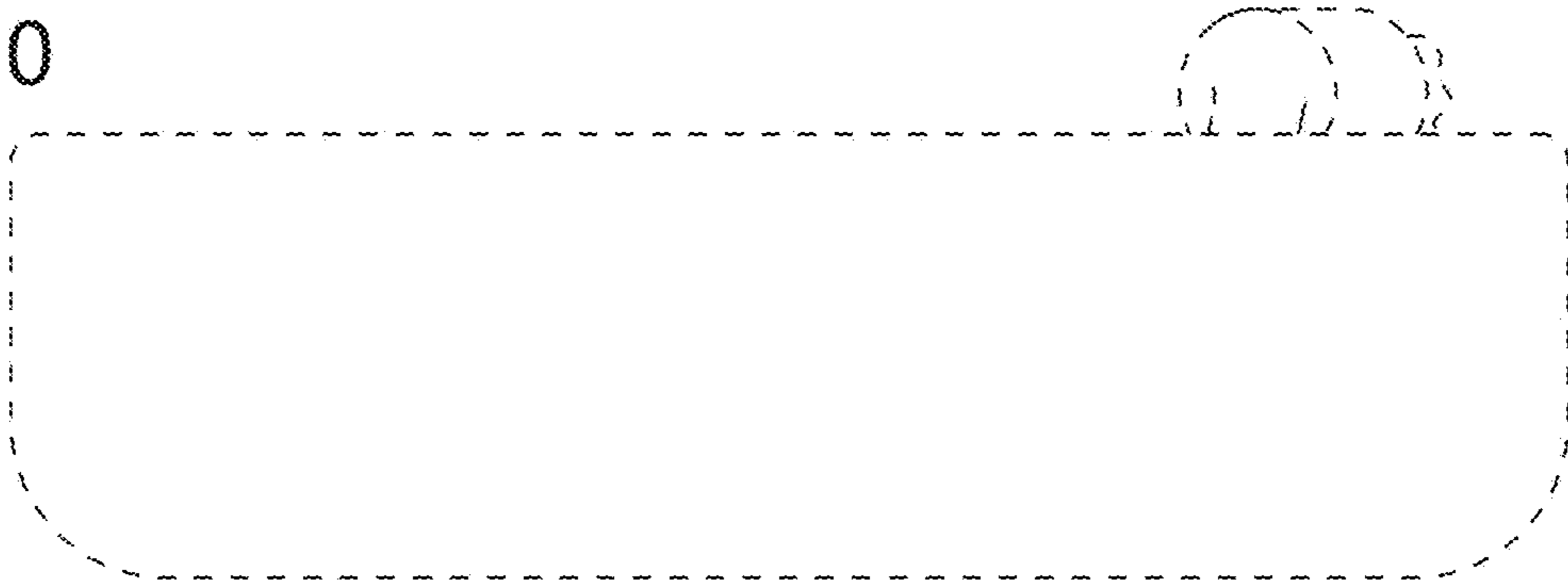


FIG. 10





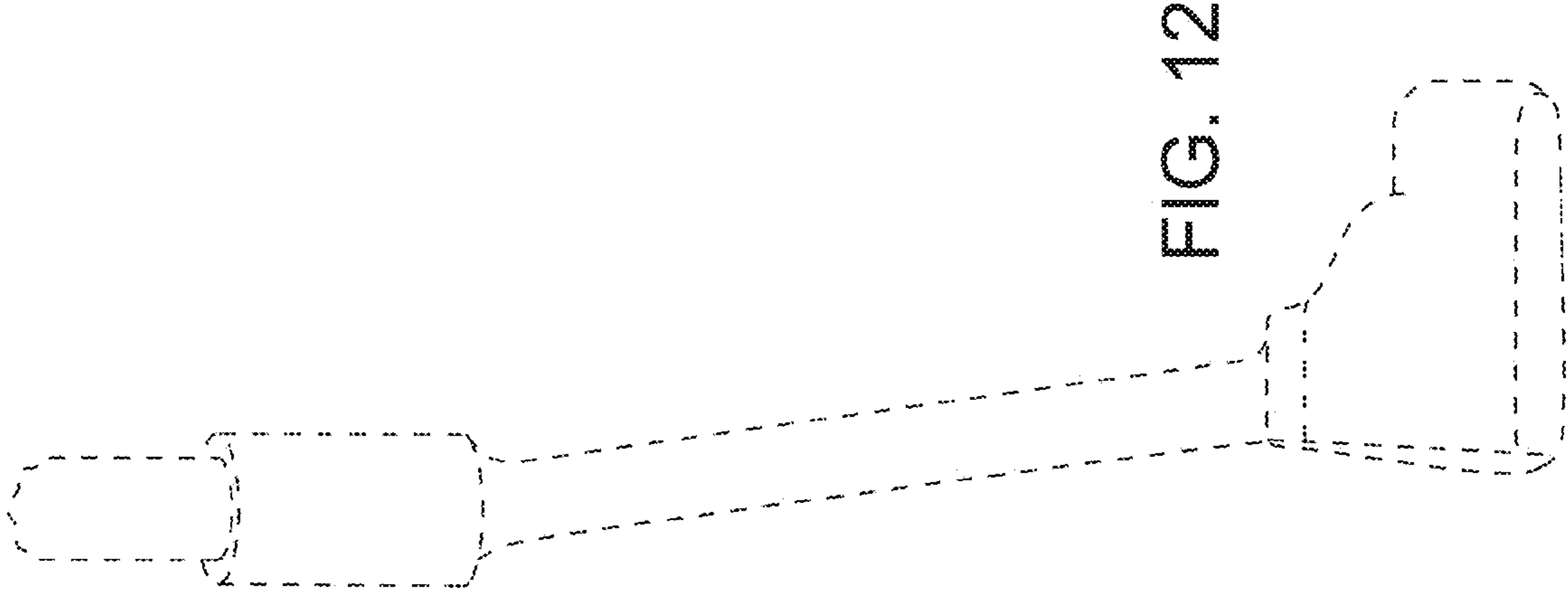


FIG. 12

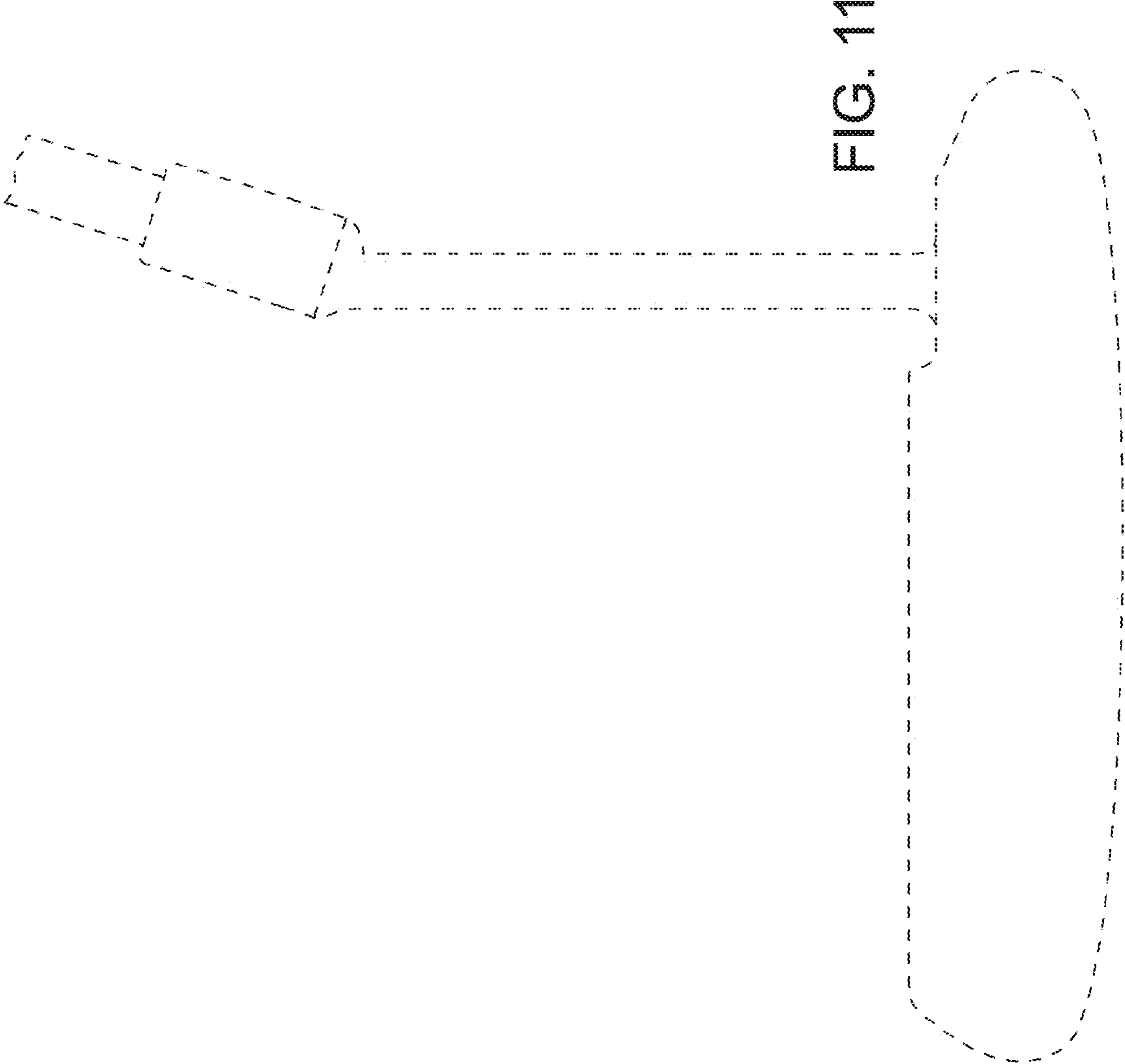


FIG. 11

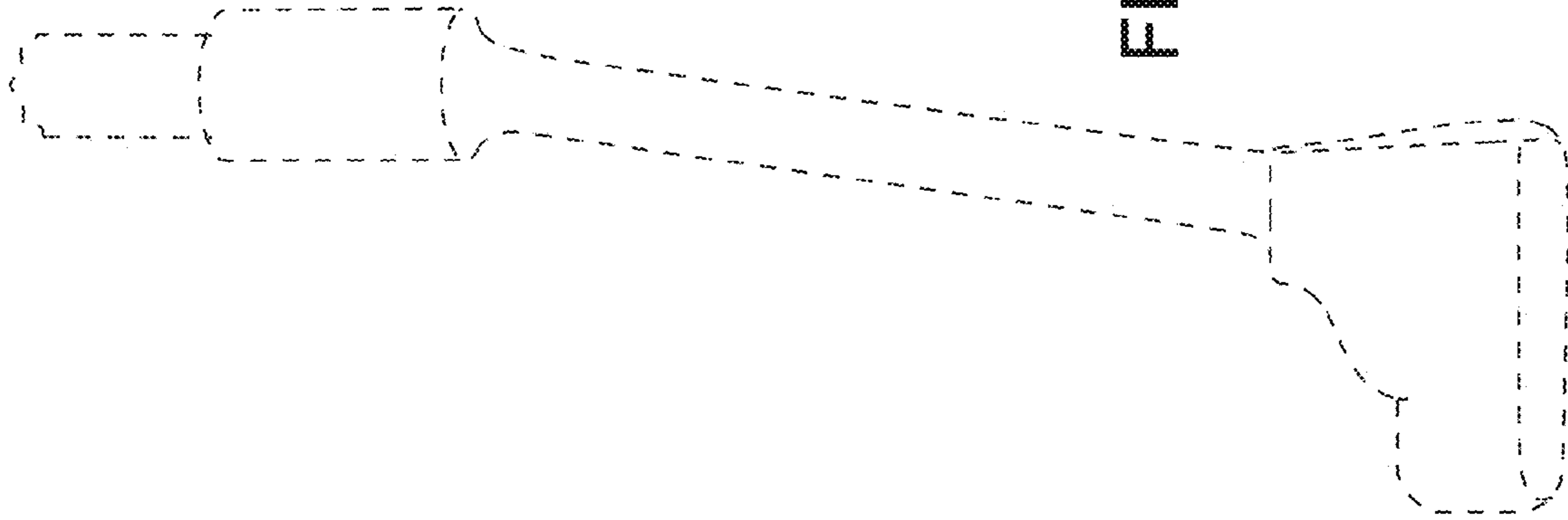


FIG. 14

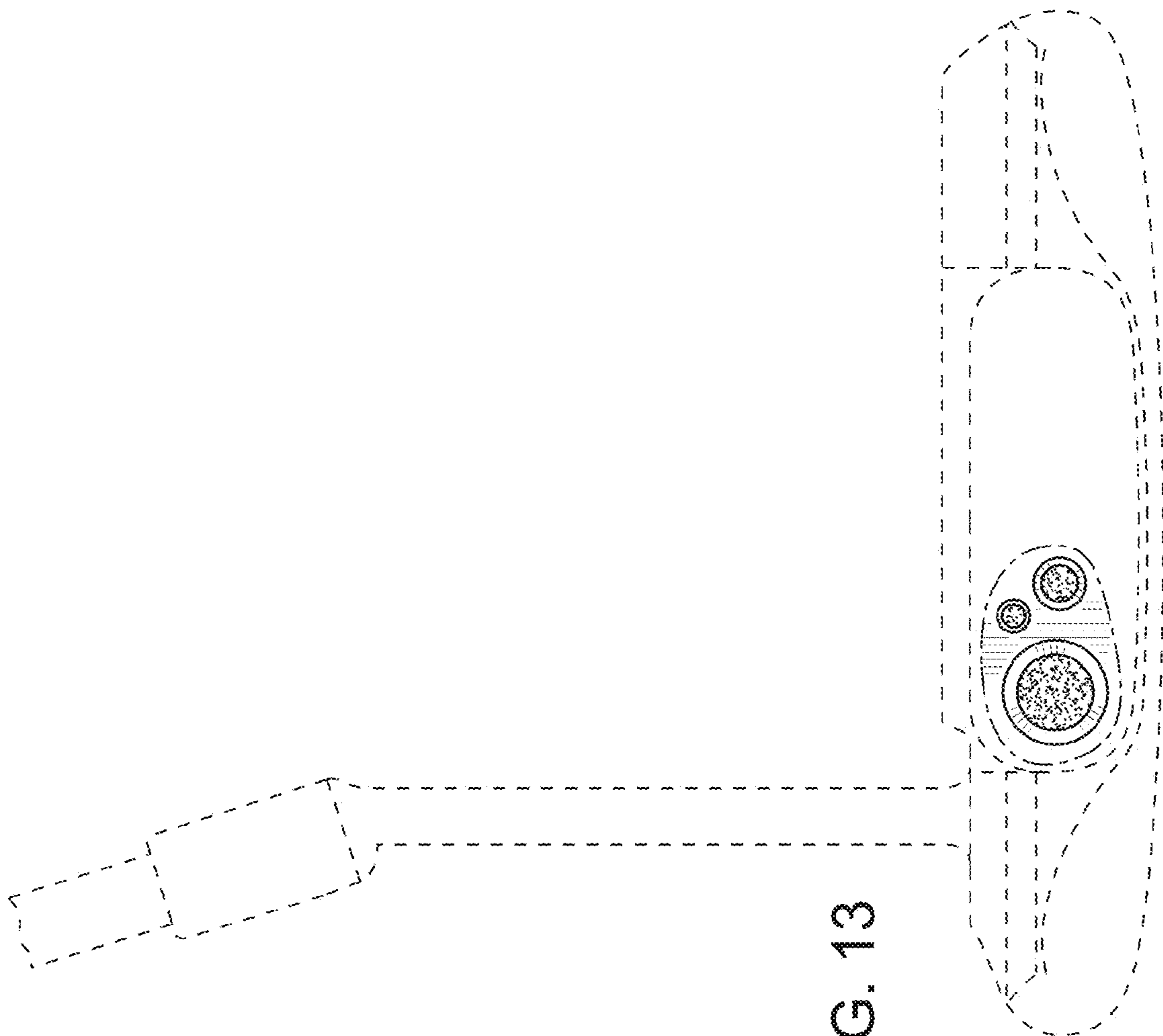


FIG. 13



FIG. 15

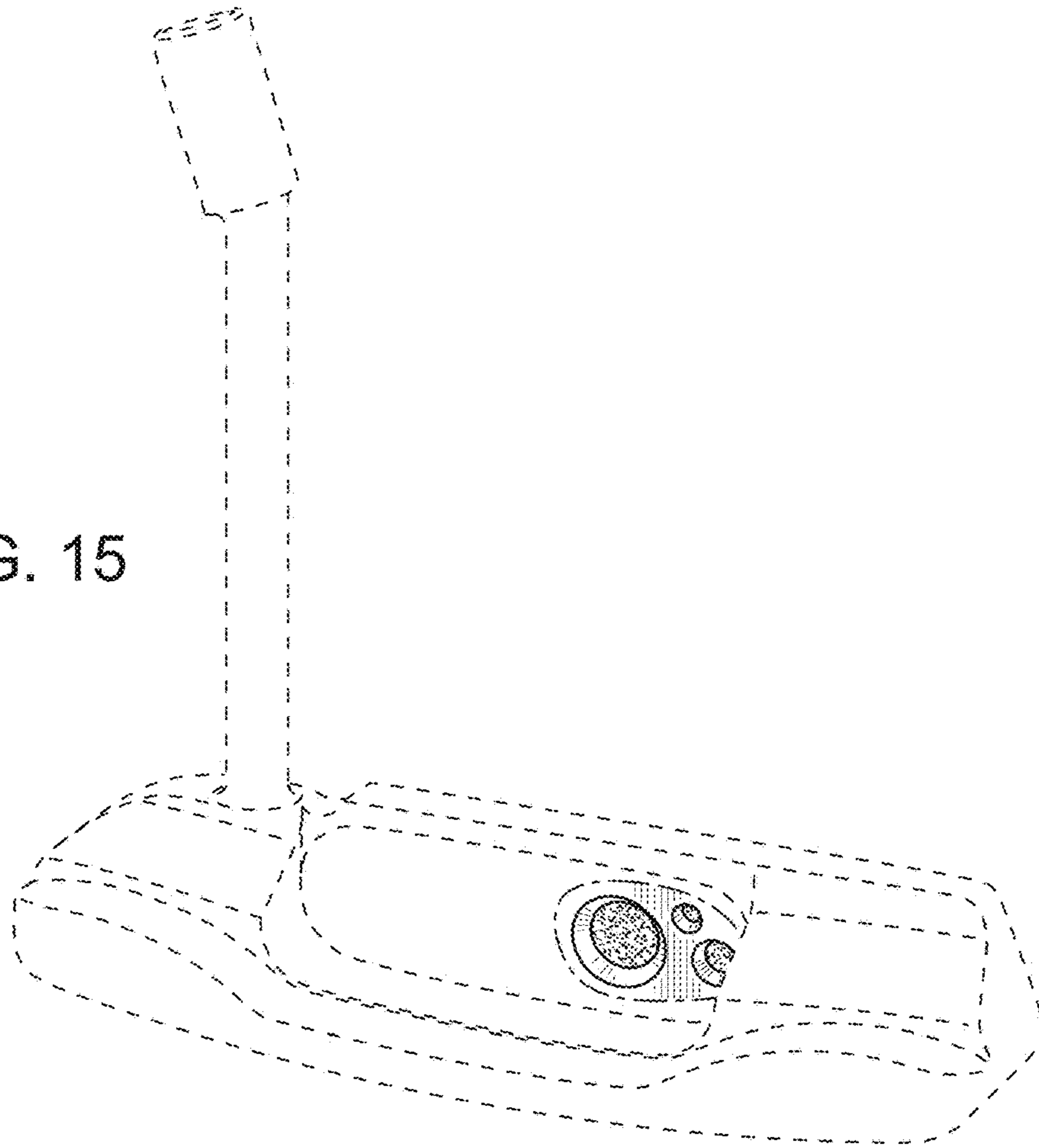


FIG. 16

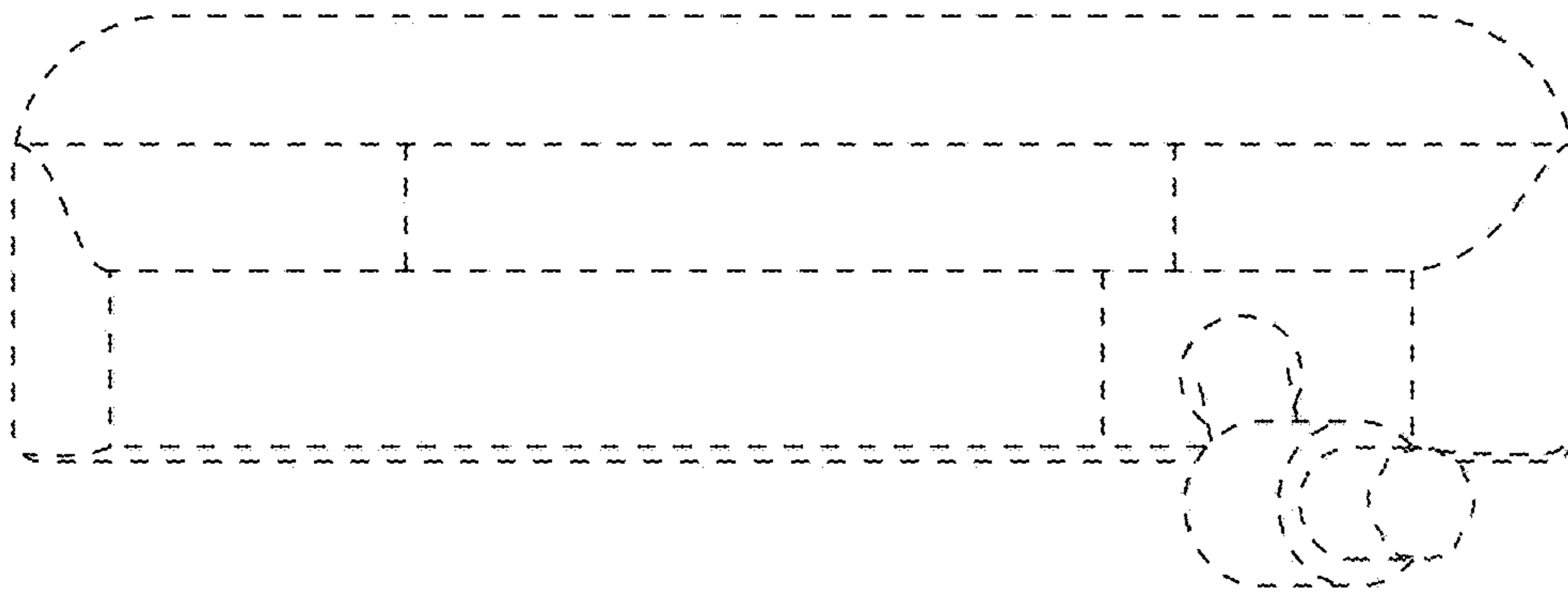
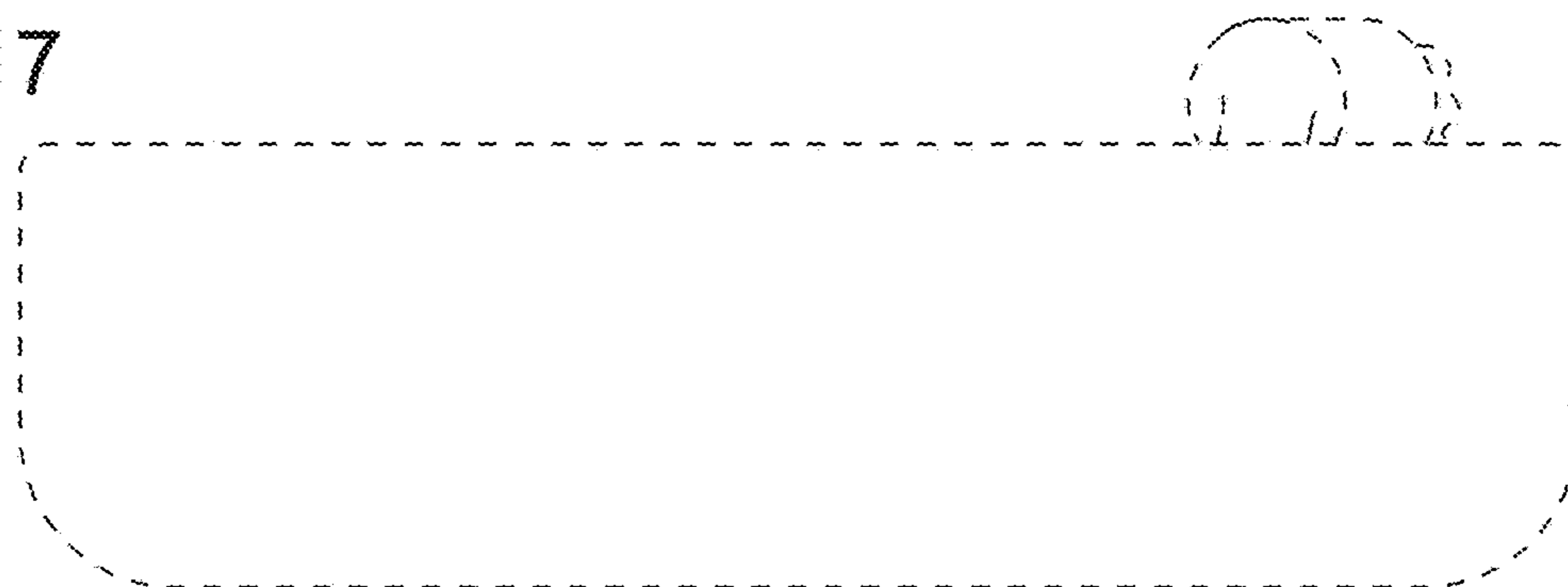


FIG. 17



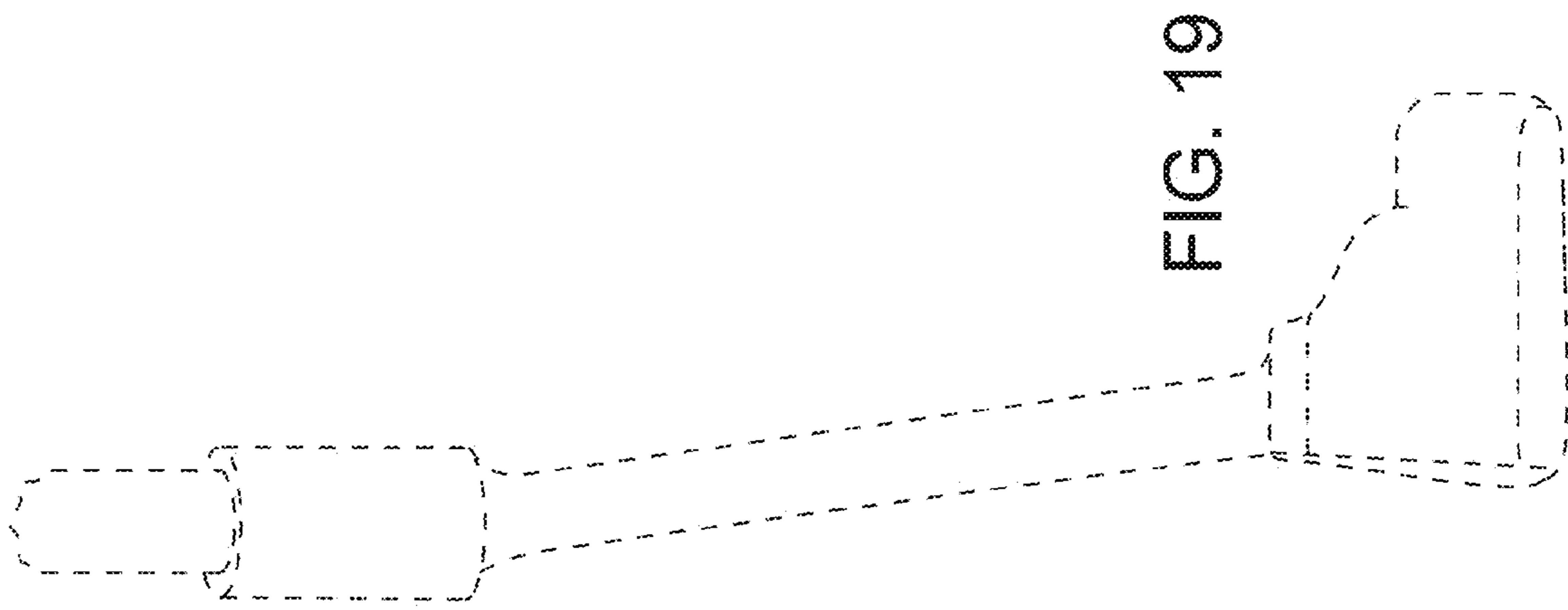


FIG. 19

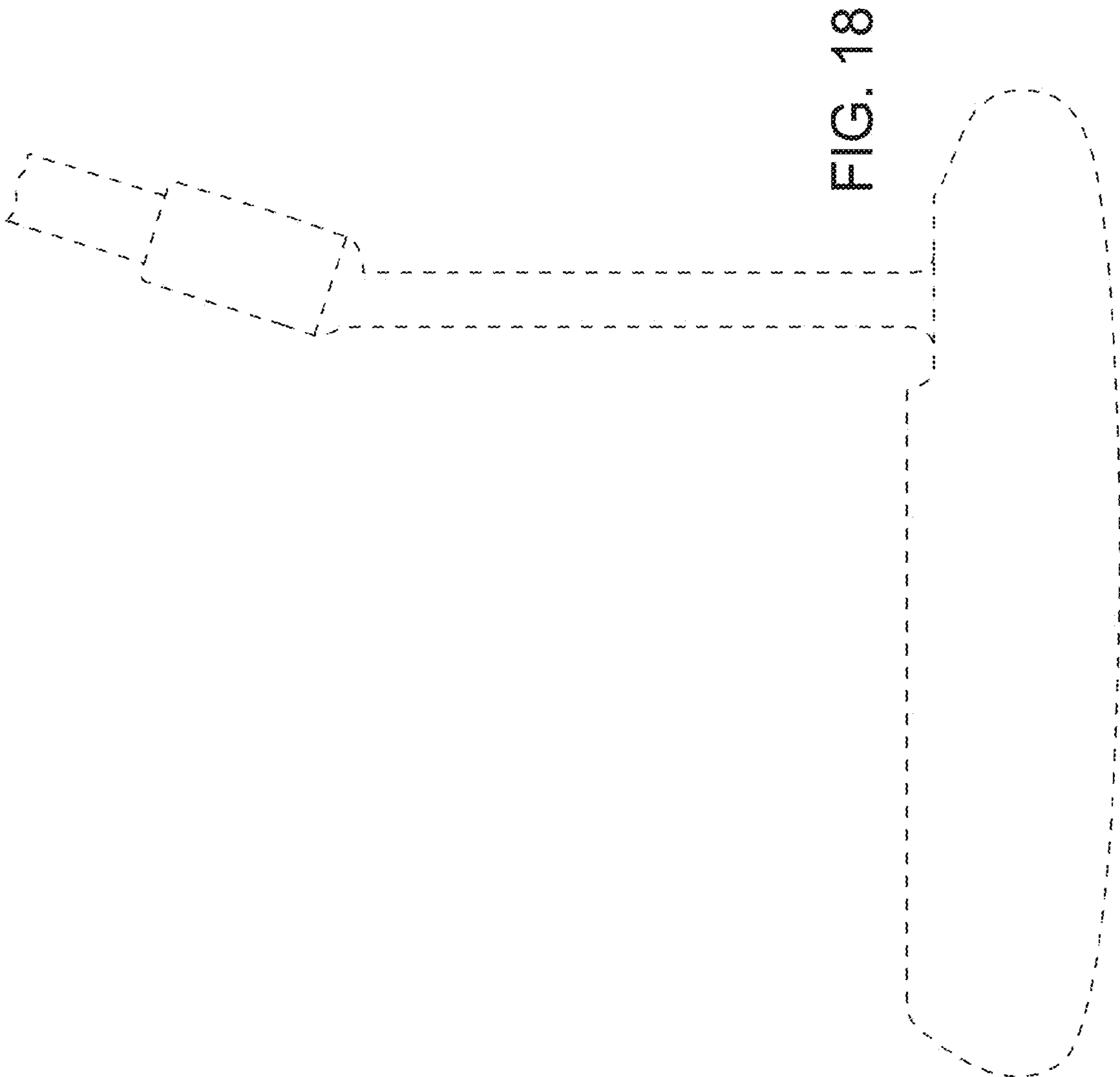


FIG. 18

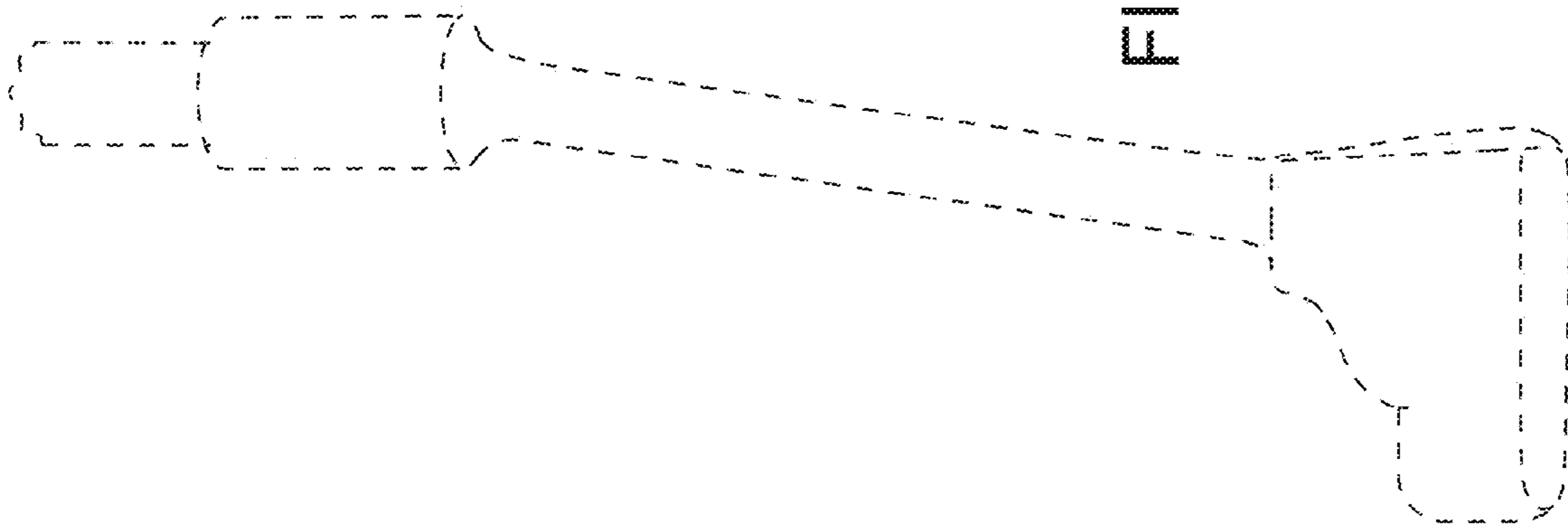


FIG. 21

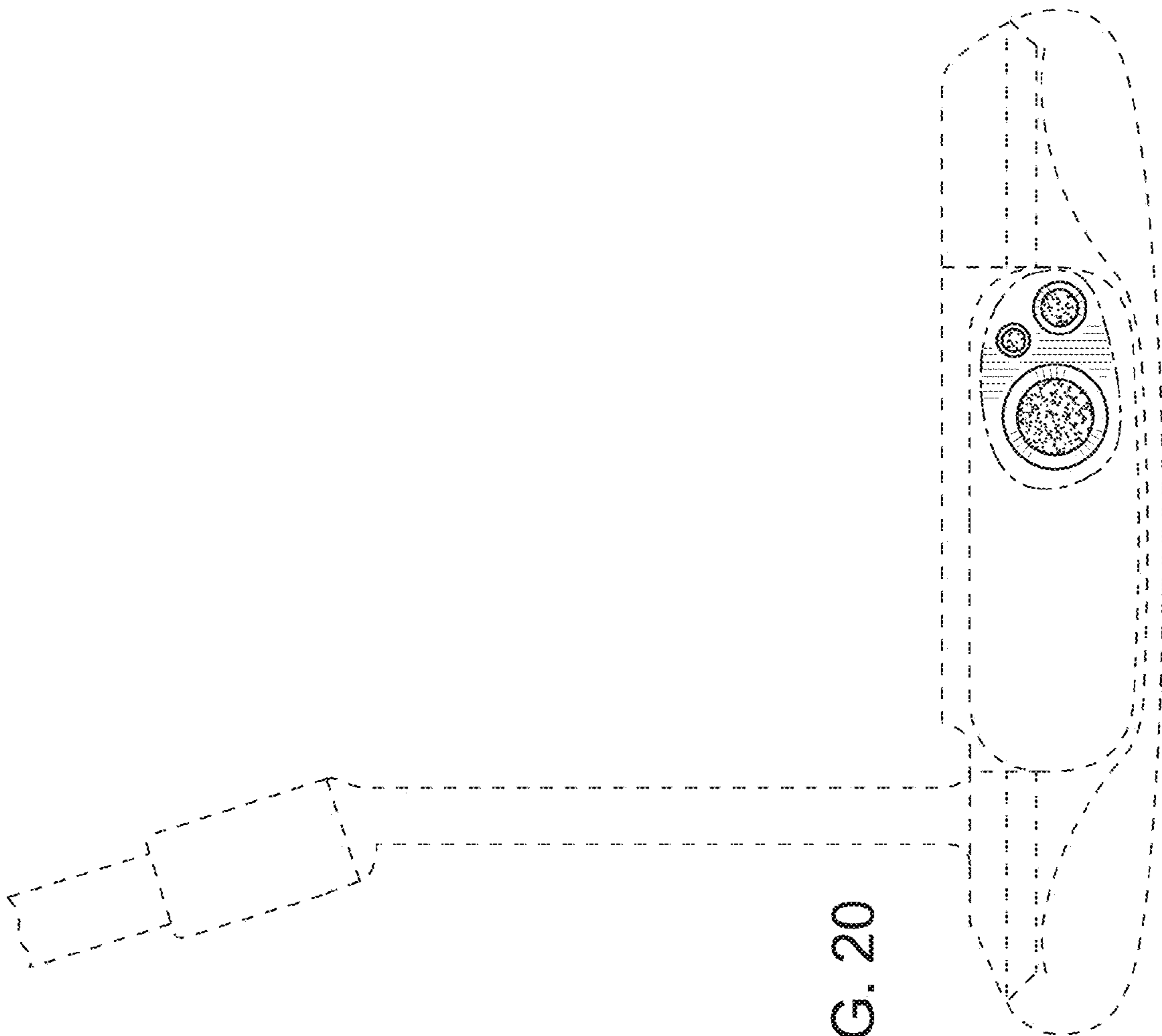


FIG. 20