



US00D900264S

(12) **United States Design Patent** (10) **Patent No.:** **US D900,264 S**
Cameron (45) **Date of Patent:** **** Oct. 27, 2020**

- (54) **PUTTER GOLF CLUB HEAD**
- (71) Applicant: **Acushnet Company**, Fairhaven, MA (US)
- (72) Inventor: **Don T. Cameron**, Carlsbad, CA (US)
- (73) Assignee: **Acushnet Company**, Fairhaven, MA (US)
- (**) Term: **15 Years**
- (21) Appl. No.: **29/695,497**
- (22) Filed: **Jun. 19, 2019**
- (51) **LOC (12) Cl.** **21-02**
- (52) **U.S. Cl.**
USPC **D21/759**
- (58) **Field of Classification Search**
USPC D21/736-746, 759
CPC A63B 53/00; A63B 53/04; A63B 53/007;
A63B 53/065; A63B 53/0487; A63B
60/00; A63B 60/46
See application file for complete search history.

- (56) **References Cited**
U.S. PATENT DOCUMENTS
- 873,423 A * 12/1907 Govan A63B 53/047
473/330
- 922,444 A * 5/1909 Youds A63B 53/047
473/342
- RE19,178 E * 5/1934 Spiker A63B 53/0487
473/251
- D385,609 S * 10/1997 Cameron D21/742
- D389,207 S * 1/1998 Cameron D21/742
- 5,839,974 A * 11/1998 McAllister A63B 53/0487
473/337
- D431,854 S * 10/2000 Cameron D21/759
- D437,374 S * 2/2001 Cameron D21/759
- D441,820 S * 5/2001 Nicolette D21/738
- D450,799 S * 11/2001 Nicolette D21/736

- D482,088 S * 11/2003 DeLaCruz D21/743
- D512,116 S * 11/2005 Mirafior D21/759
- D536,401 S * 2/2007 Kawami D21/759
- D536,403 S * 2/2007 Kawami D21/759
- D538,371 S * 3/2007 Kawami D21/759
- D543,601 S * 5/2007 Kawami D21/759
- D555,219 S * 11/2007 Lin D21/759
- D576,698 S * 9/2008 Cameron D21/759
- D600,763 S * 9/2009 Cameron D21/759
- D661,753 S * 6/2012 Cameron D21/759
- D726,846 S * 4/2015 Schweigert D21/743
- D739,487 S * 9/2015 Schweigert D21/759
- D741,426 S * 10/2015 Schweigert D21/736
- D751,660 S * 3/2016 Greenlaw D21/759
- D753,252 S * 4/2016 Schweigert D21/759
- 9,364,727 B2 * 6/2016 Parsons A63B 53/0475
- D765,809 S * 9/2016 Peterson D21/759
- D767,057 S * 9/2016 Mickelson D21/747

(Continued)

Primary Examiner — Mitchell I. Siegel
(74) *Attorney, Agent, or Firm* — Randy K. Chang

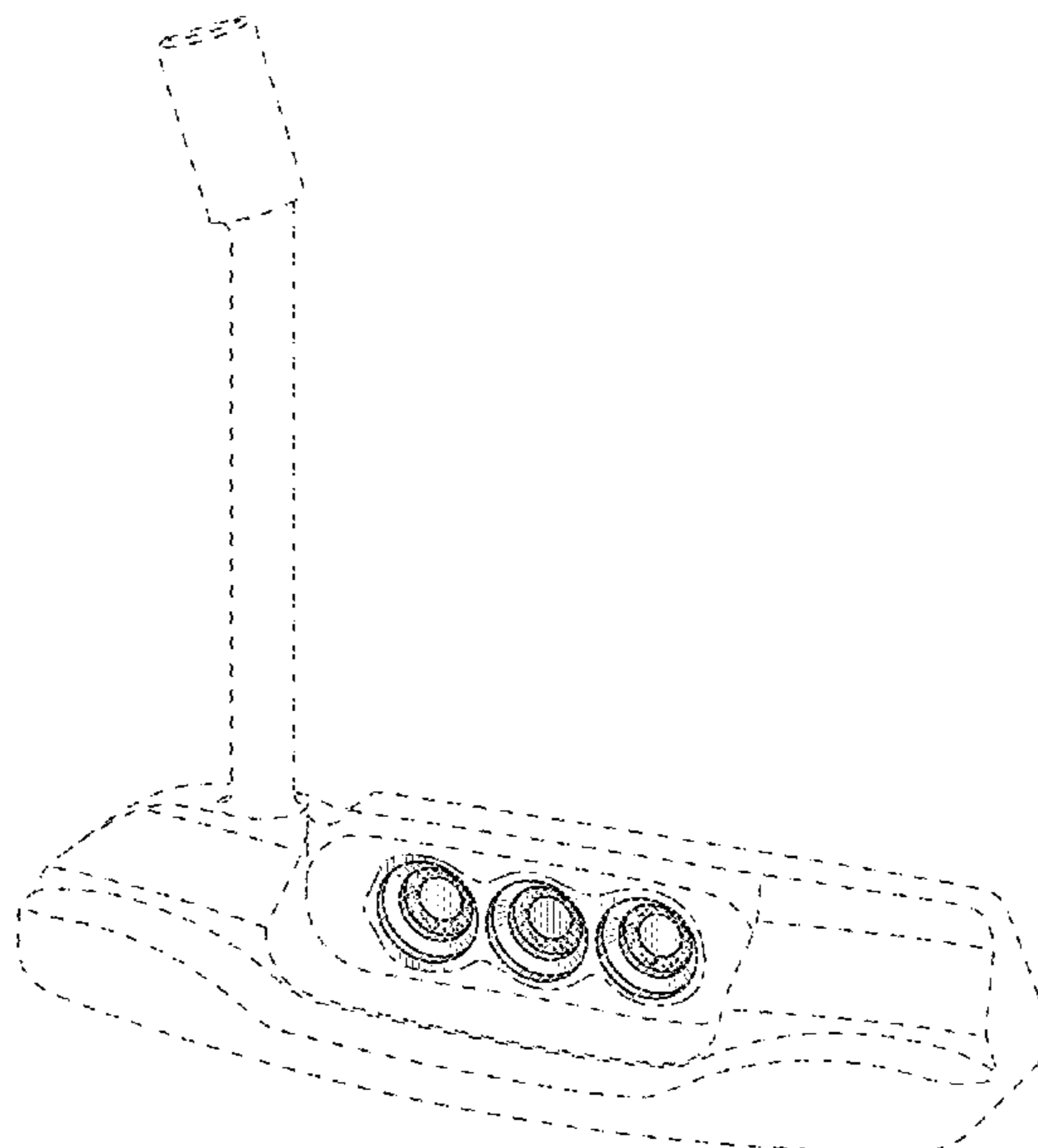
(57) **CLAIM**

The ornamental design for putter golf club head, as shown and described.

DESCRIPTION

FIG. 1 is a perspective rear view of a putter golf club head showing my design;
FIG. 2 is a top plan view thereof;
FIG. 3 is a bottom plan view thereof;
FIG. 4 is front elevation view a thereof;
FIG. 5 is a heel end view thereof;
FIG. 6 is a rear elevational view thereof; and,
FIG. 7 is a toe end view thereof.
The broken lines in the figures show environment for the putter club head that forms no part of the claimed design. The dash-dot broken lines on the drawings are representative of boundary lines and form no part of the claimed design.

1 Claim, 3 Drawing Sheets



(56)

References Cited

U.S. PATENT DOCUMENTS

D769,386 S * 10/2016 Schweigert D21/759
D791,891 S * 7/2017 Davis D21/736
D794,146 S * 8/2017 Davis D21/736
D799,615 S * 10/2017 Kroloff D21/736
D834,120 S * 11/2018 Cameron D21/759
D834,121 S * 11/2018 Cameron, Jr. D21/759
D864,326 S * 10/2019 Mickelson D21/747
10,441,858 B2 * 10/2019 Schweigert A63B 53/065

* cited by examiner

FIG. 1

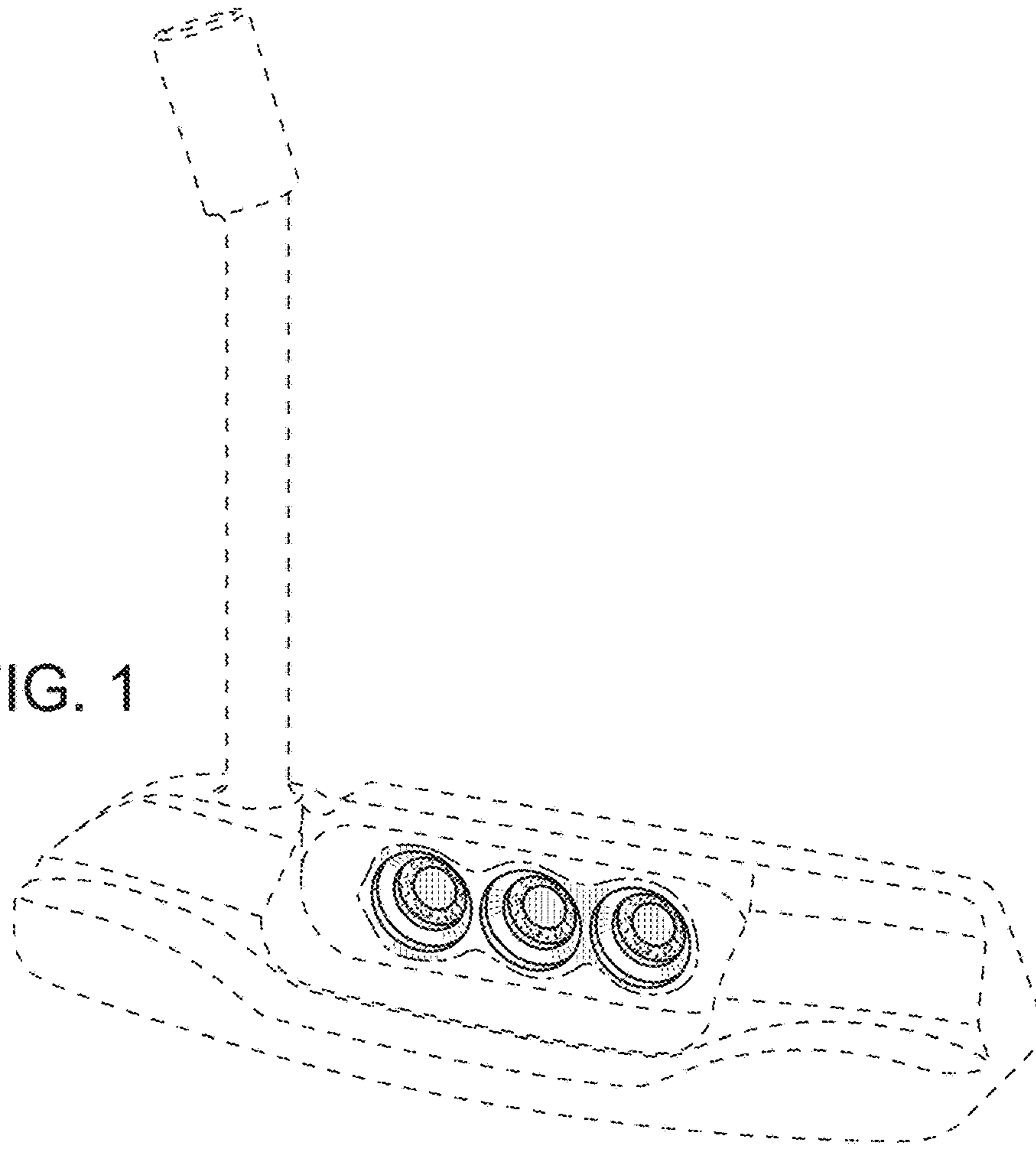


FIG. 2

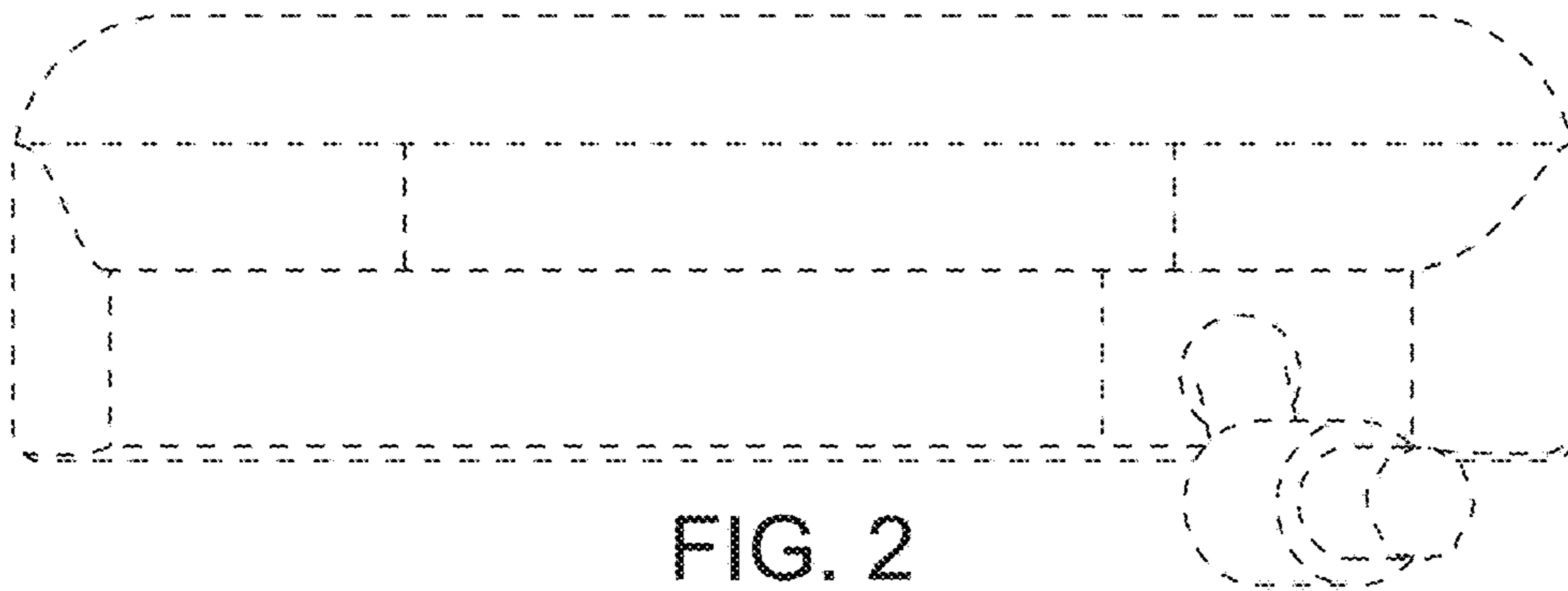
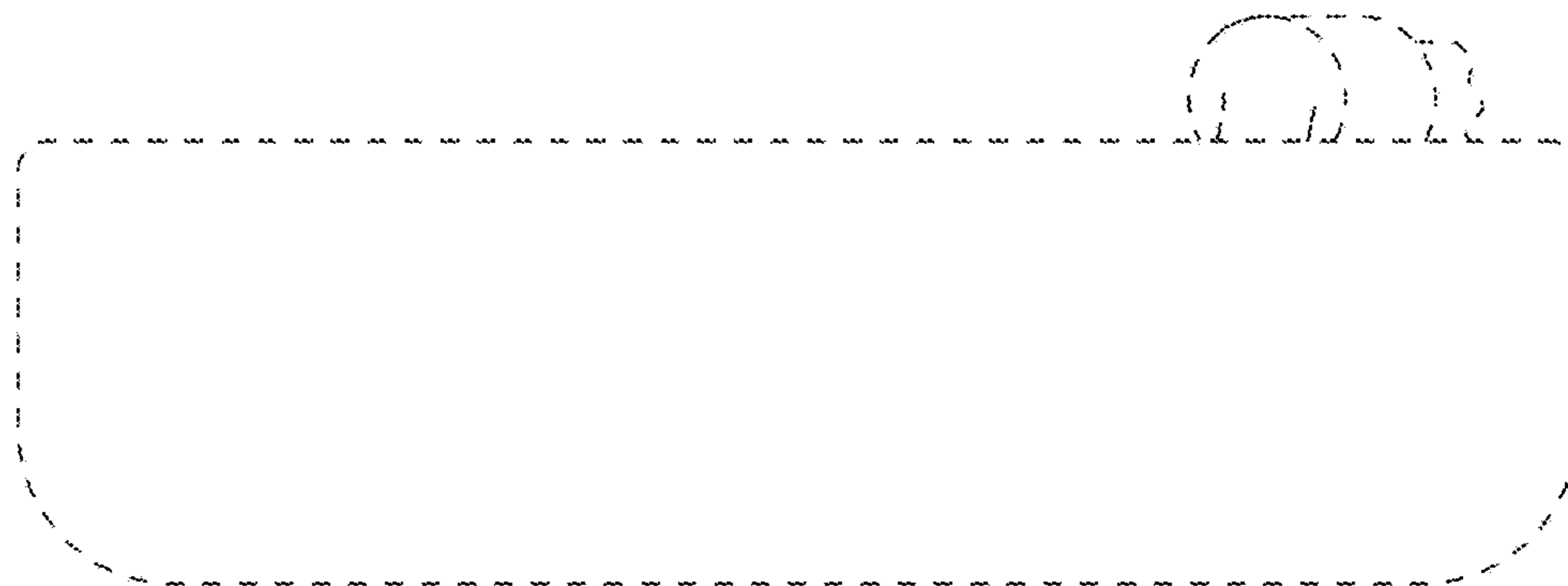


FIG. 3



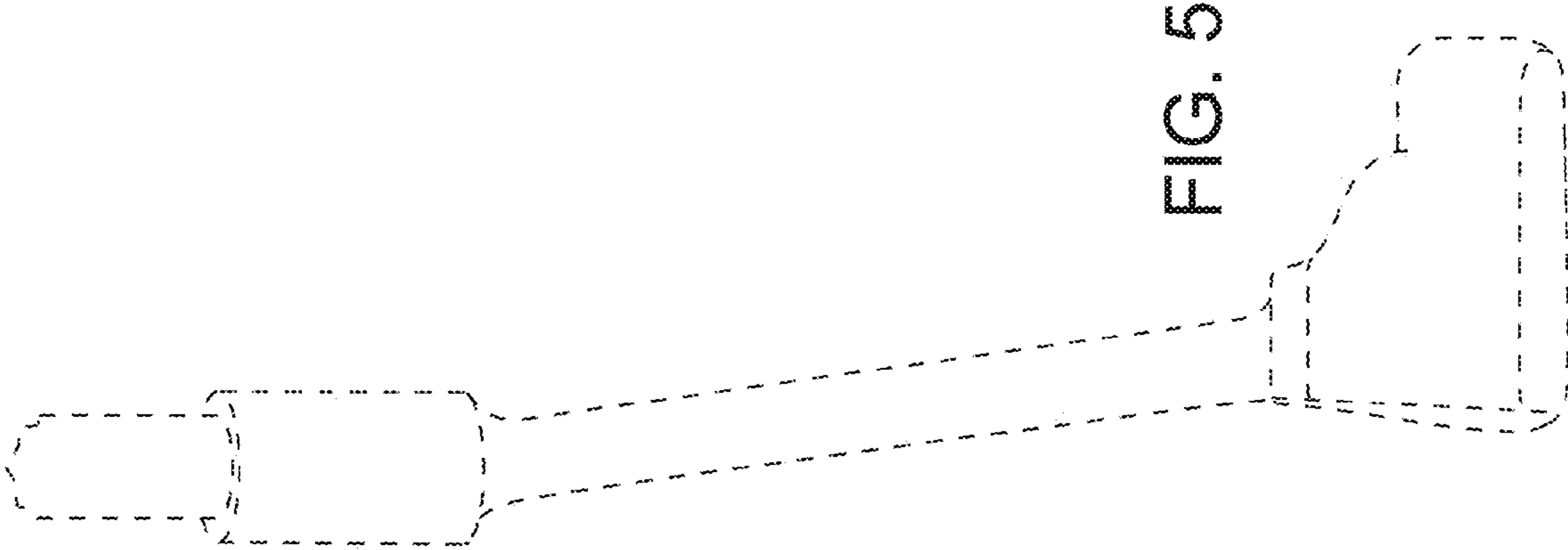


FIG. 5

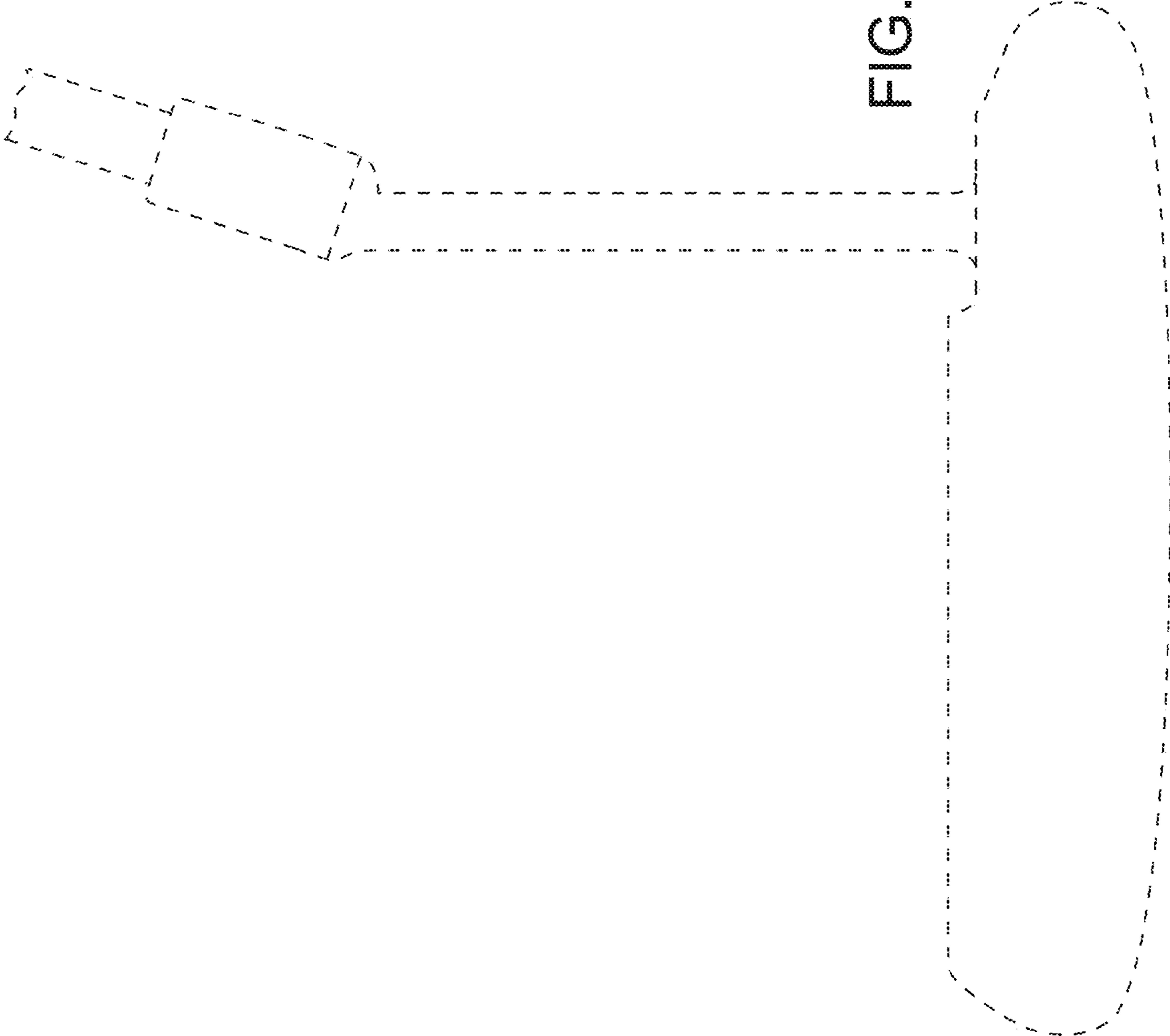


FIG. 4

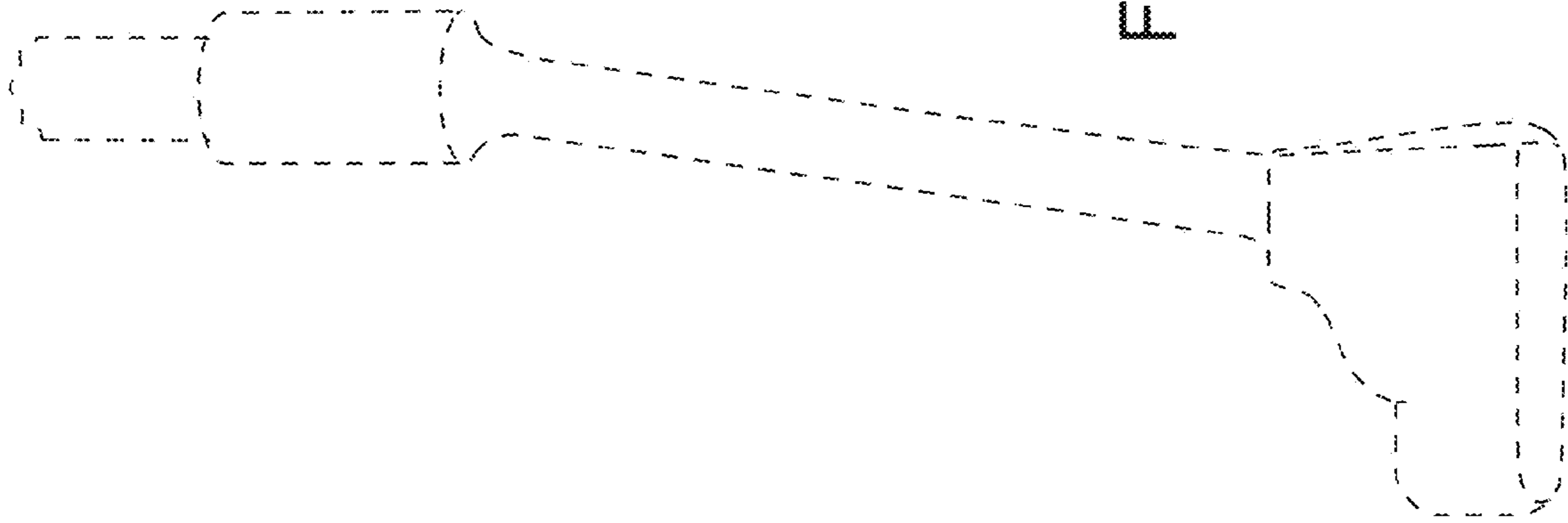


FIG. 7

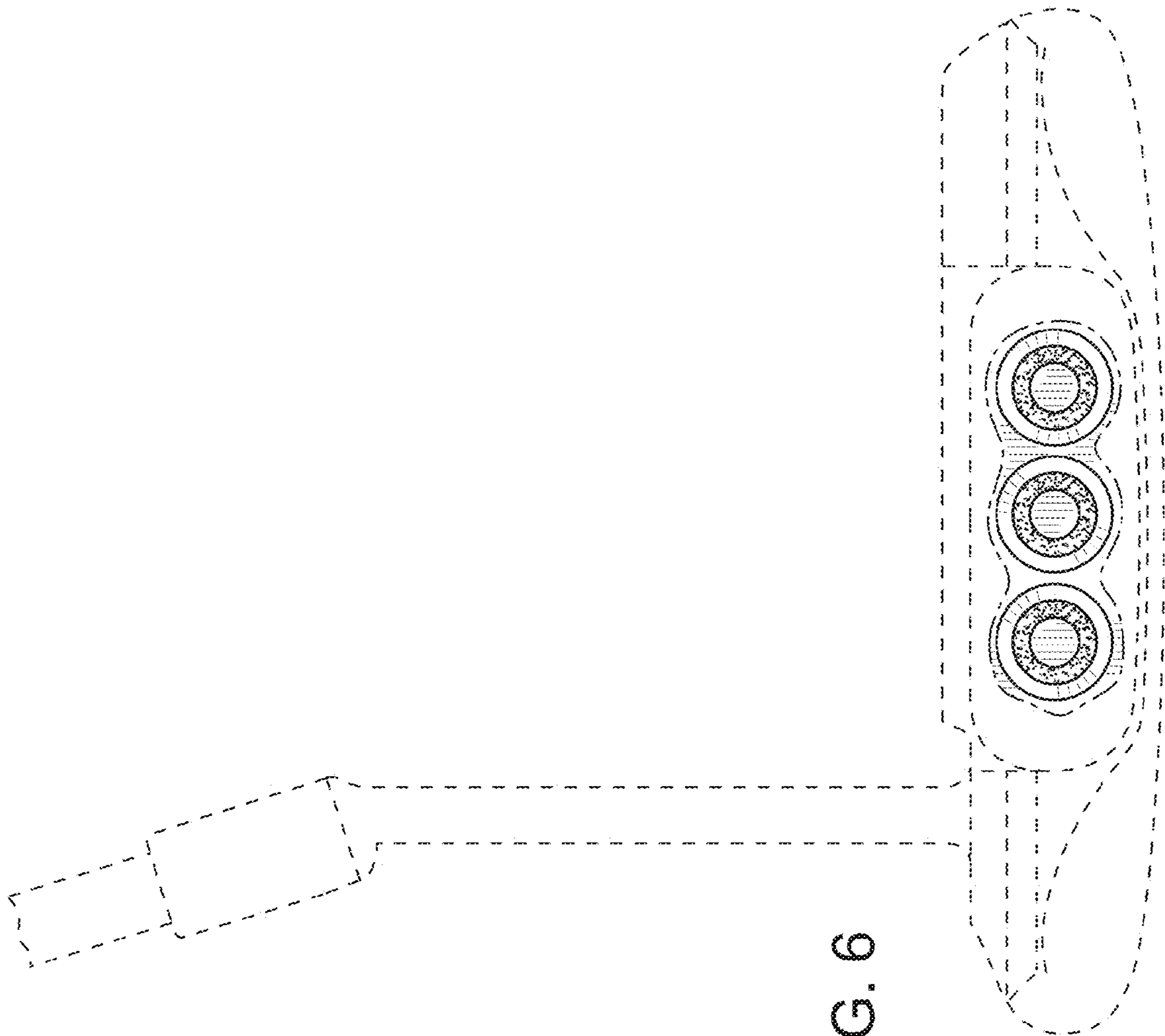


FIG. 6