



US00D900262S

(12) **United States Design Patent**  
**Jacobson et al.**

(10) **Patent No.:** **US D900,262 S**

(45) **Date of Patent:** **\*\* Oct. 27, 2020**

(54) **IRON GOLF CLUB HEAD**

(71) Applicant: **Acushnet Company**, Fairhaven, MA  
(US)

(72) Inventors: **Vincent Jacobson**, Murrieta, CA (US);  
**Jason A. Mata**, Carlsbad, CA (US)

(73) Assignee: **Acushnet Company**, Fairhaven, MA  
(US)

(\*\*) Term: **15 Years**

(21) Appl. No.: **29/695,496**

(22) Filed: **Jun. 19, 2019**

(51) **LOC (12) Cl.** ..... **21-02**

(52) **U.S. Cl.**  
USPC ..... **D21/747**

(58) **Field of Classification Search**  
USPC ..... D21/747-751, 759  
CPC ..... A63B 53/00; A63B 53/02; A63B 53/04;  
A63B 53/047; A63B 53/0475; A63B  
2053/0479; A63B 2053/0483; A63B  
2053/0445; A63B 60/00; A63B 60/46  
See application file for complete search history.

(56) **References Cited**

**U.S. PATENT DOCUMENTS**

D115,216 S \* 6/1939 Newsome ..... D21/748  
D179,816 S \* 3/1957 Penna ..... D21/751

D479,568 S \* 9/2003 Rodgers ..... D21/747  
D584,371 S \* 1/2009 Chick ..... D21/759  
D606,607 S \* 12/2009 Cooper ..... D21/759  
D716,391 S \* 10/2014 Roche ..... D21/759  
D719,627 S \* 12/2014 Wieland ..... D21/759  
D762,793 S \* 8/2016 Takechi ..... D21/759  
D858,667 S \* 9/2019 Marukawa ..... D21/747  
D861,095 S \* 9/2019 Wolfe ..... D21/759  
D863,481 S \* 10/2019 Shimahara ..... D21/759

\* cited by examiner

*Primary Examiner* — Mitchell I Siegel

(74) *Attorney, Agent, or Firm* — Randy K. Chang

(57) **CLAIM**

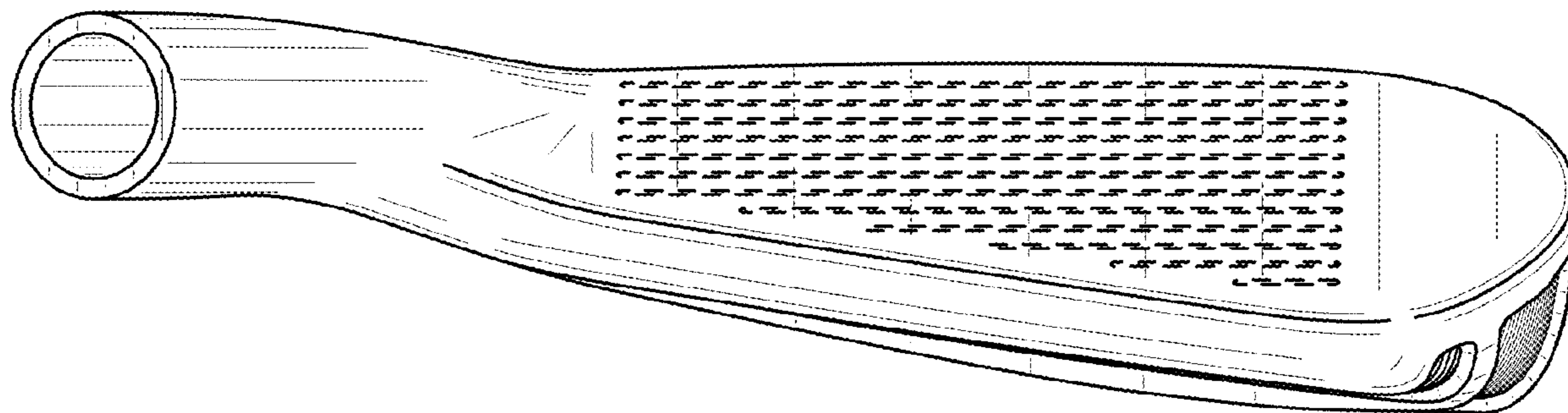
The ornamental design for iron golf club head, as shown and described.

**DESCRIPTION**

FIG. 1 is a perspective rear view of an iron golf club head showing our design;  
FIG. 2 is a toe end view thereof;  
FIG. 3 is a top plan view thereof;  
FIG. 4 is a rear elevational view thereof;  
FIG. 5 is a bottom plan view thereof;  
FIG. 6 is a front elevation view thereof; and,  
FIG. 7 is a heel end view thereof.

The broken lines in the figures show portions of the iron golf club head that form no part of the claimed design.

**1 Claim, 3 Drawing Sheets**



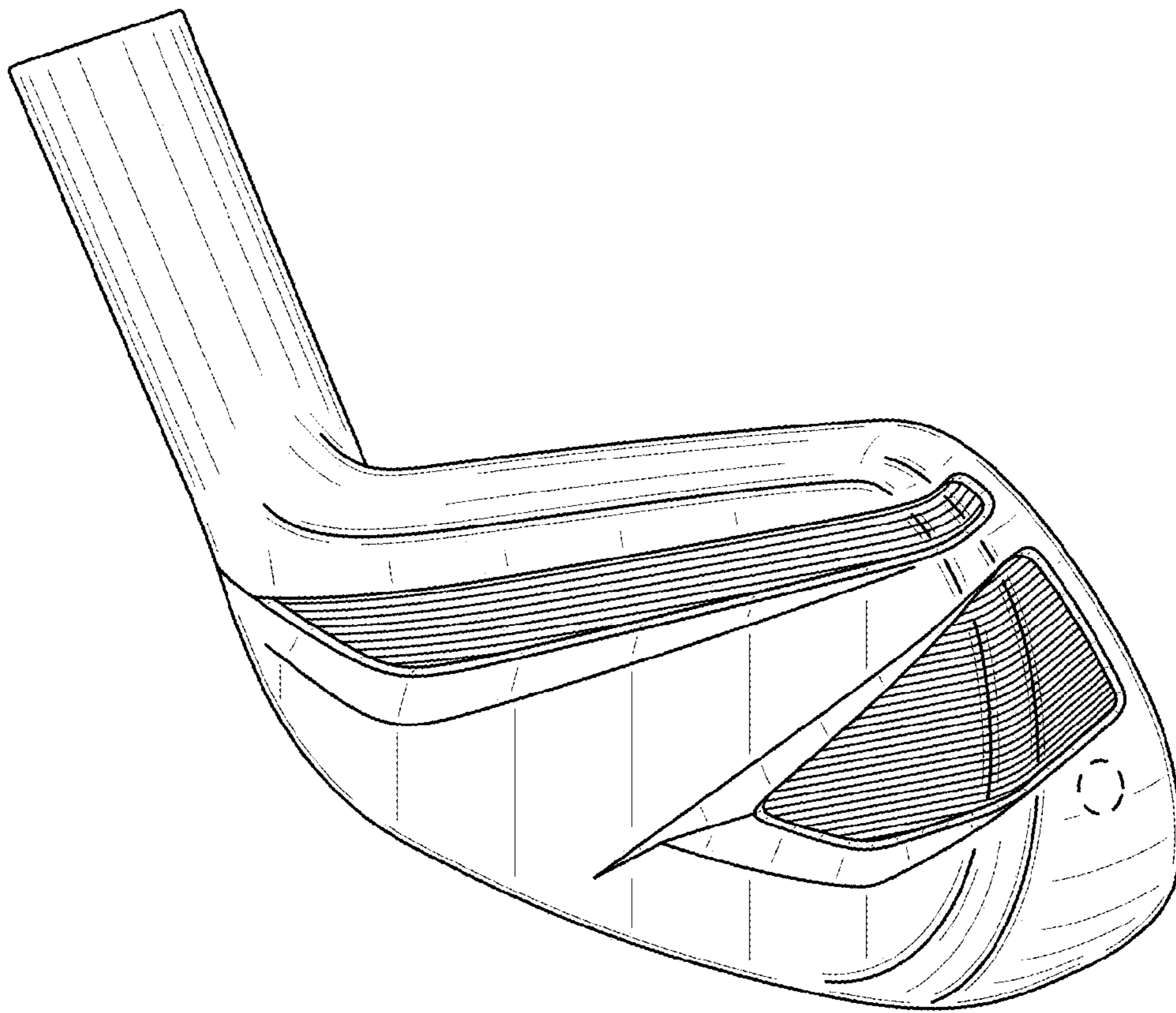


FIG. 1

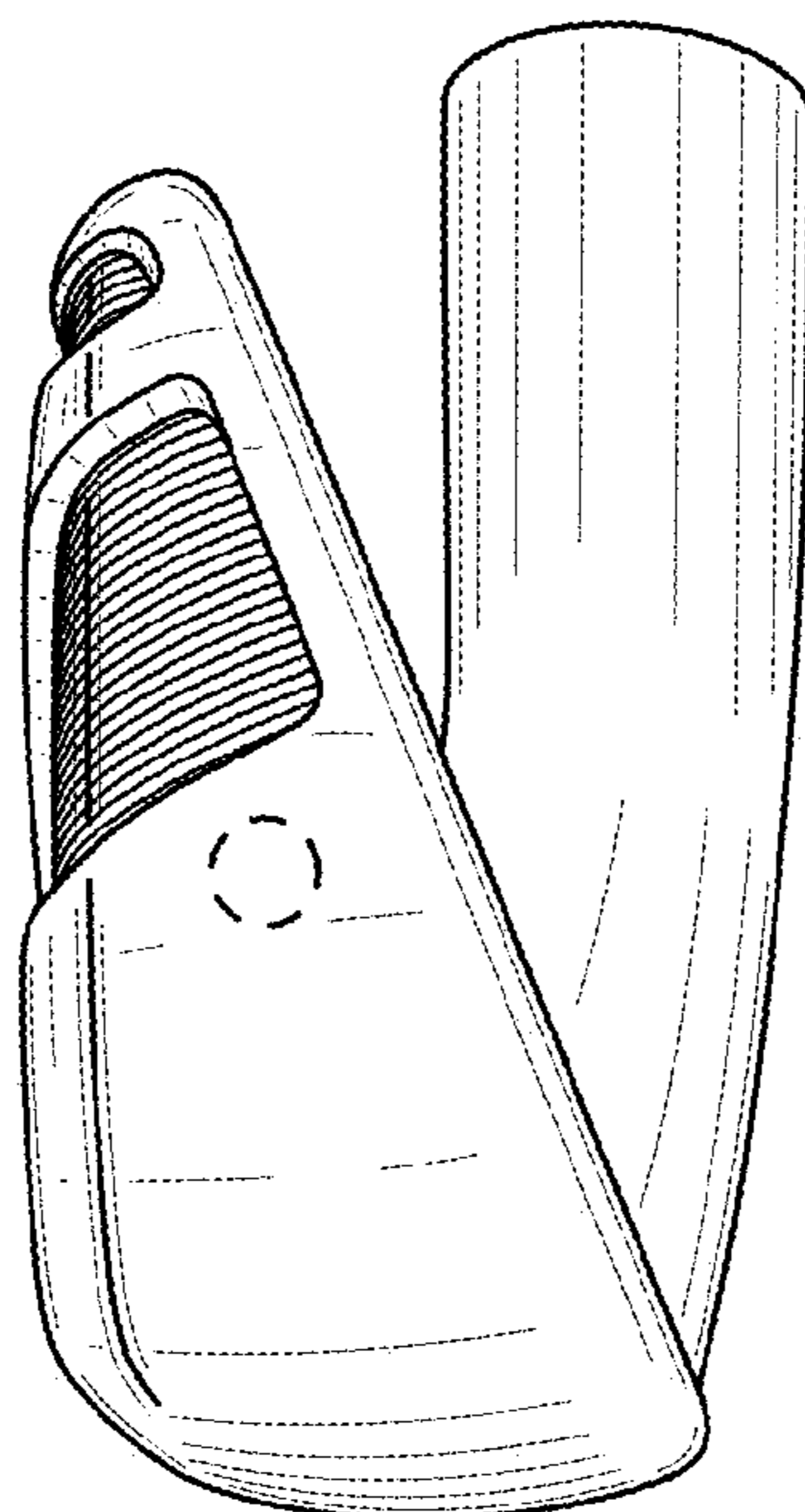


FIG. 2

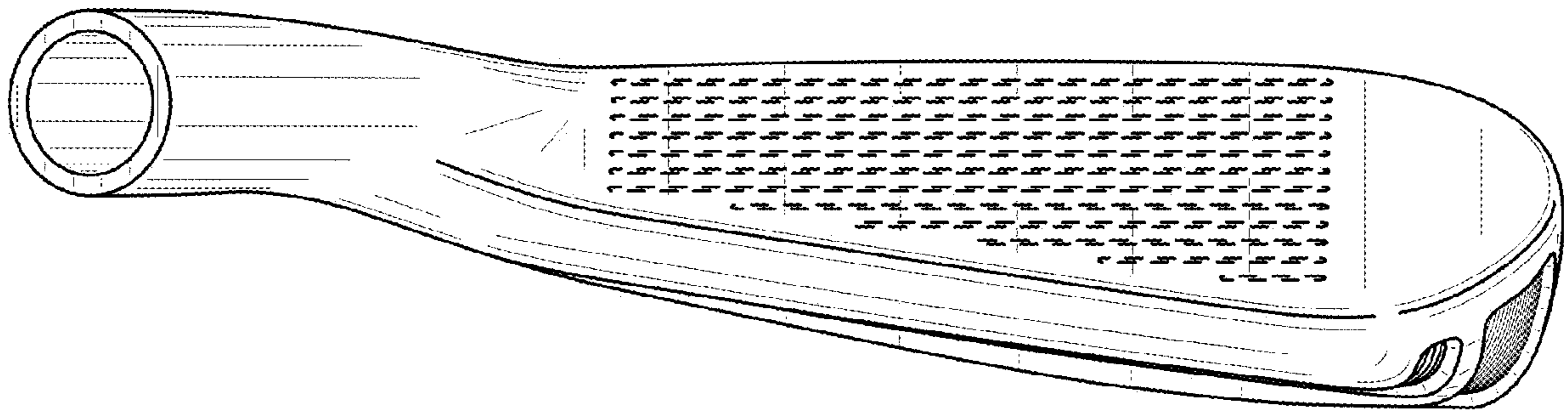


FIG. 3

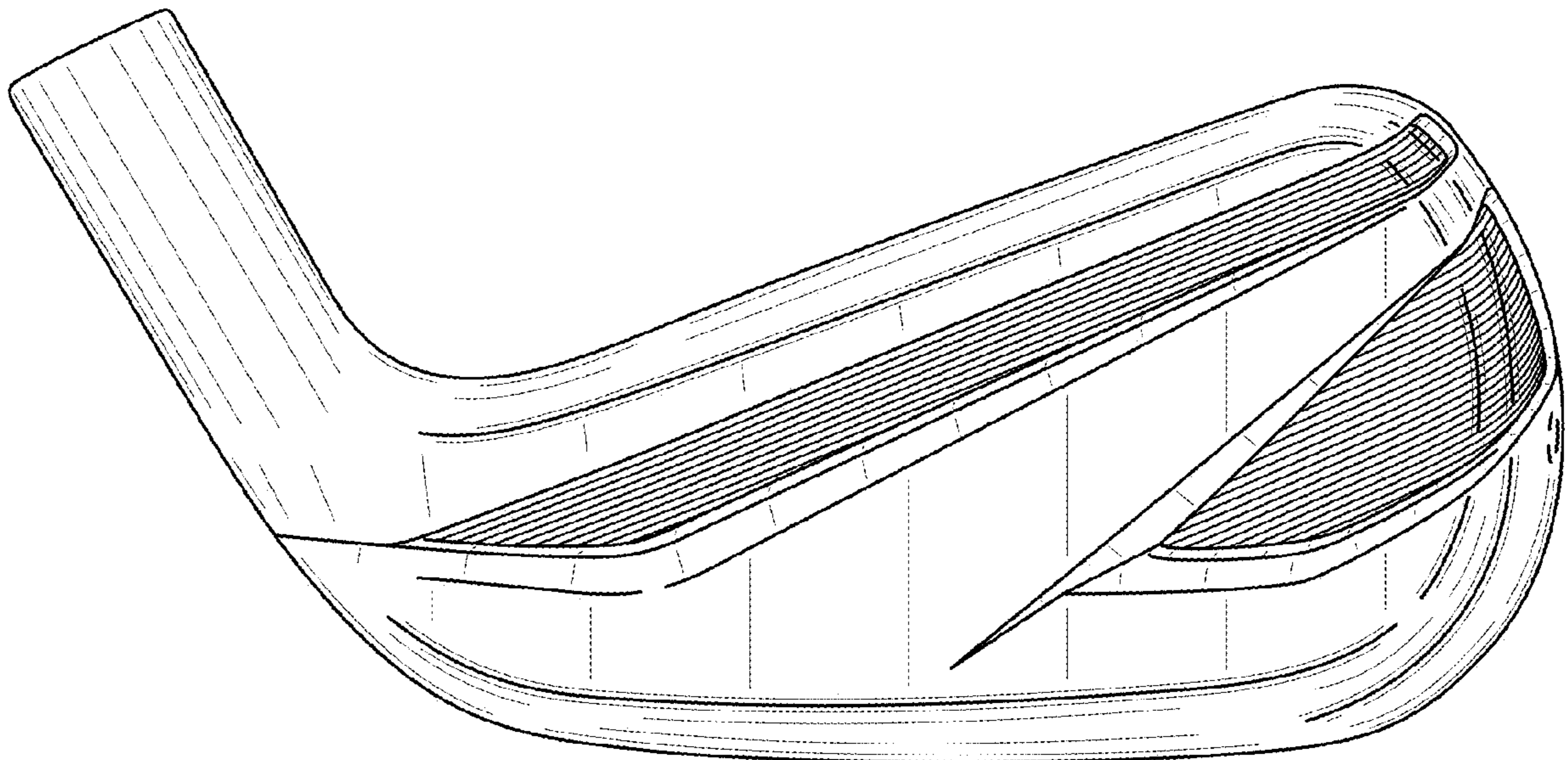


FIG. 4

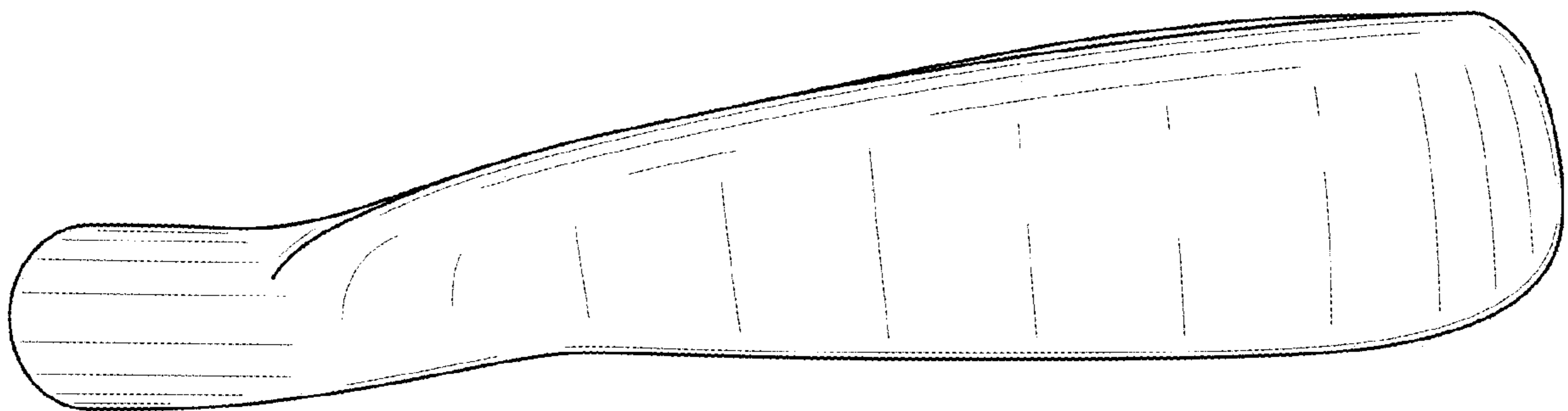


FIG. 5



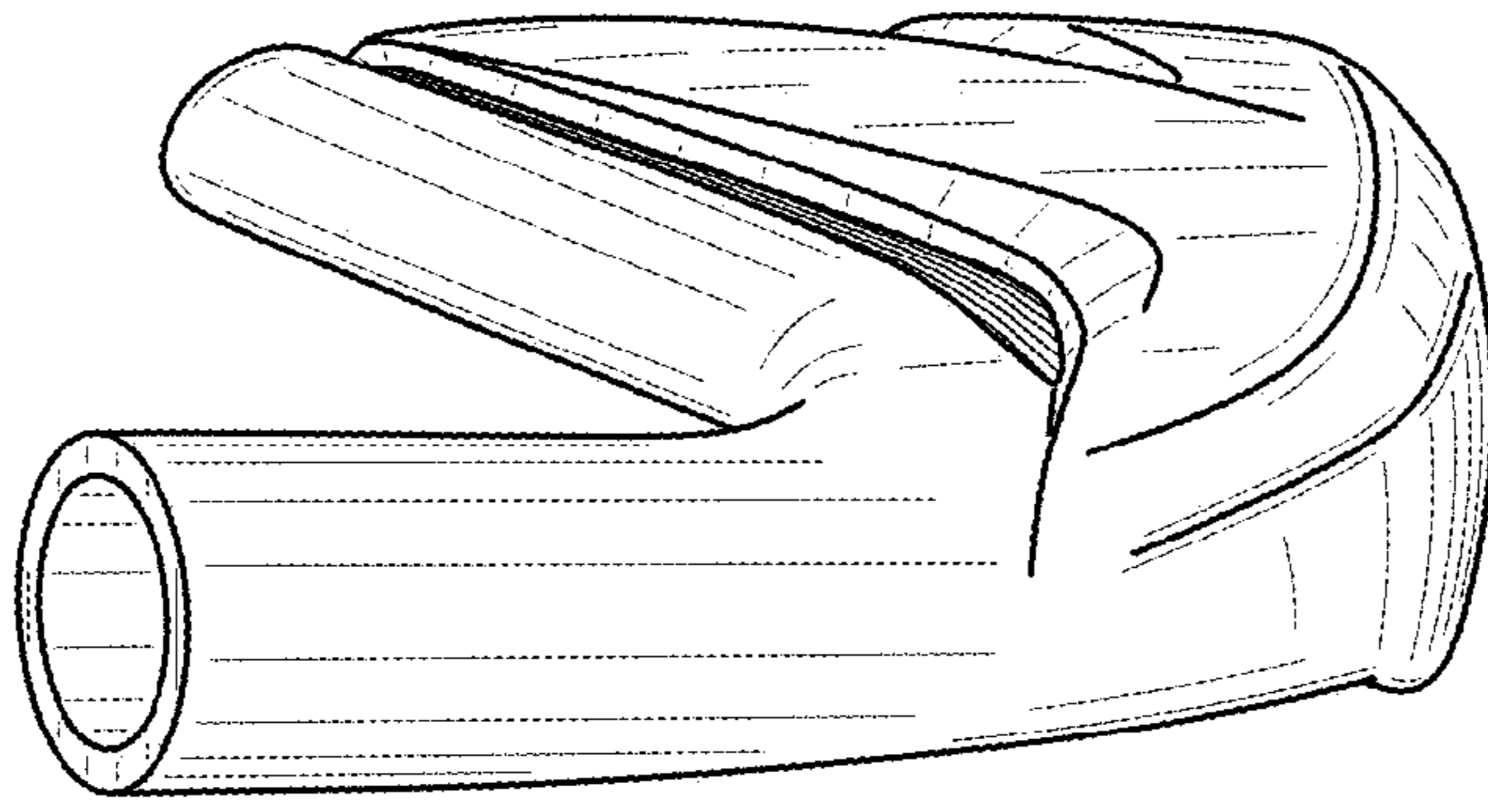


FIG. 7

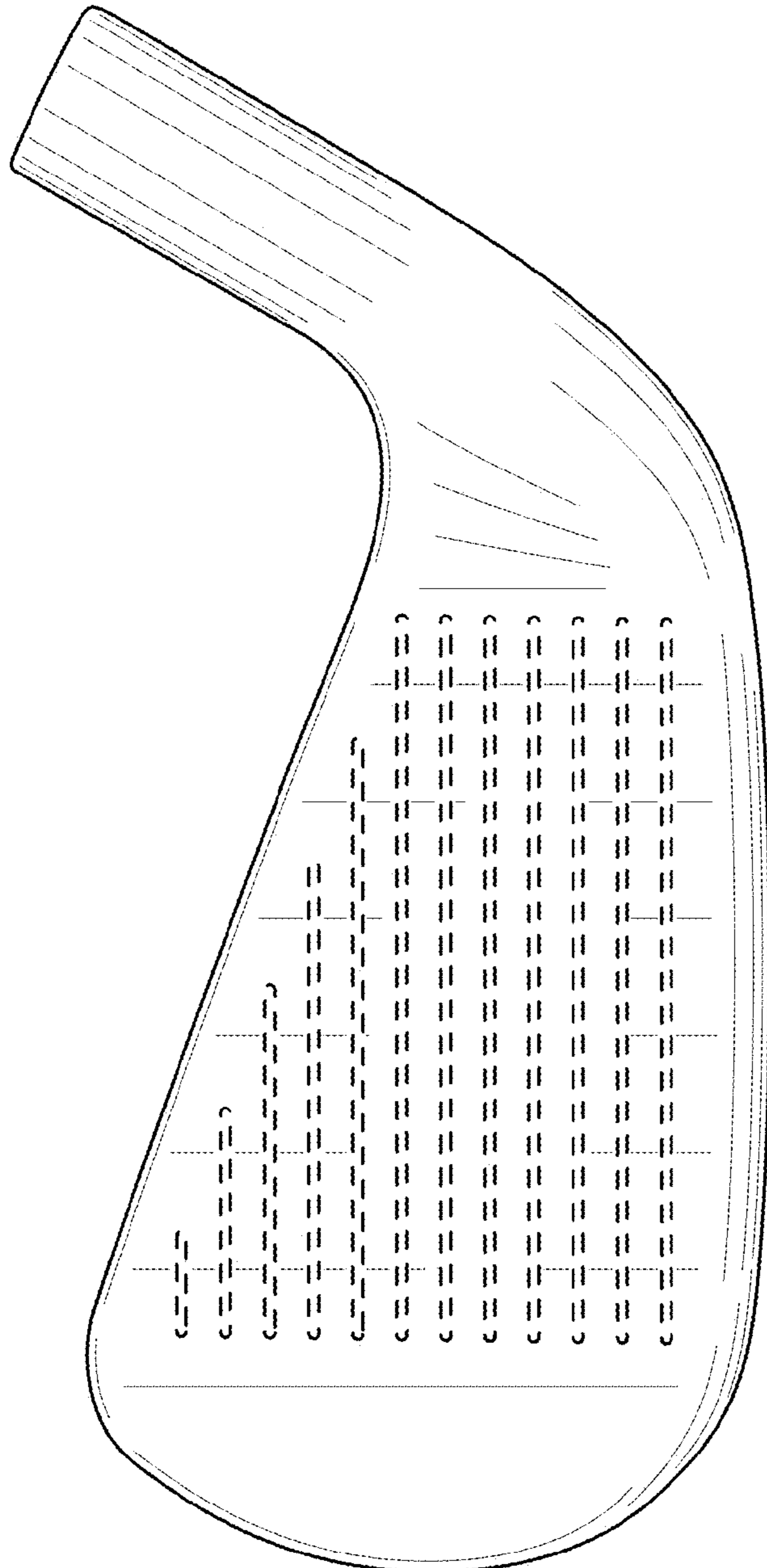


FIG. 6