



US00D900258S

(12) **United States Design Patent** (10) **Patent No.:** **US D900,258 S**  
**Lin** (45) **Date of Patent:** **\*\* Oct. 27, 2020**

(54) **ROLLER**  
(71) Applicant: **Zijuan Lin**, Fujian (CN)  
(72) Inventor: **Zijuan Lin**, Fujian (CN)  
(\*\*) Term: **15 Years**  
(21) Appl. No.: **29/633,530**  
(22) Filed: **Jan. 15, 2018**  
(51) **LOC (12) Cl.** ..... **21-02**  
(52) **U.S. Cl.**  
USPC ..... **D21/691**  
(58) **Field of Classification Search**  
USPC ..... D21/671, 787, 798, 826, 694, 692, 691,  
D21/690, 688, 687, 686, 684, 679, 673,  
D21/662, 683; D8/107, 300, 303, 307,  
D8/310; D12/111, 114, 317; D7/682;  
D28/37, 38  
CPC ..... A63B 21/065; A63B 21/4021; A63B  
21/4001; A63B 21/4035; A63B 21/0557;  
A63B 21/0442  
See application file for complete search history.

(56) **References Cited**  
U.S. PATENT DOCUMENTS

D257,595 S *	12/1980	Bullock	.....	D28/37
D457,268 S *	5/2002	Kwong	.....	D28/37
D467,386 S *	12/2002	Carlucci	.....	D28/37
D573,262 S *	7/2008	Soucy	.....	D24/211
D637,244 S *	5/2011	Davis	.....	D21/662
D657,830 S *	4/2012	Guarrasi	.....	D21/662
D660,450 S *	5/2012	Johnson	.....	D24/215
D693,934 S *	11/2013	Lin	.....	D24/215
D700,346 S *	2/2014	Palizzi	.....	D24/211
D713,050 S *	9/2014	Kao	.....	A61H 15/00 D24/211

D737,456 S *	8/2015	McDonough	.....	A61H 15/0092 D24/211
D755,304 S *	5/2016	Ackerman	.....	D21/662
D785,103 S *	4/2017	Townsend	.....	D21/662
D788,313 S *	5/2017	Lawrie	.....	D24/211
D825,695 S *	8/2018	Kim	.....	D21/662
D842,486 S *	3/2019	Kaoru	.....	D24/211
2011/0300995 A1 *	12/2011	Castiglione	.....	A61H 15/0092 482/51
2012/0035029 A1 *	2/2012	Dye	.....	A61H 15/0092 482/132
2013/0096472 A1 *	4/2013	Bertram	.....	A61H 15/0092 601/120
2016/0008692 A1 *	1/2016	Townsend	.....	A45C 9/00 206/315.1

\* cited by examiner

*Primary Examiner* — Shannon W Morgan  
*Assistant Examiner* — Keith Frank

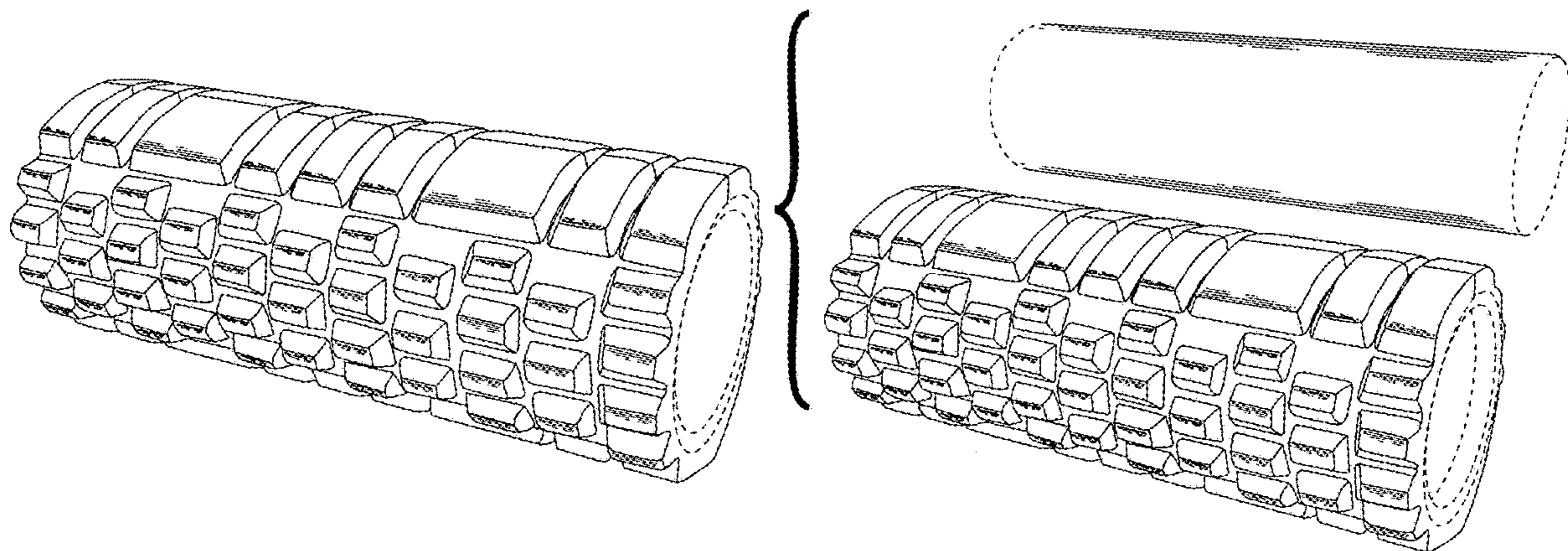
(57) **CLAIM**

The ornamental design for a roller, as shown and described.

**DESCRIPTION**

FIG. 1 is a front elevational view of a roller showing my new design;  
FIG. 2 is a rear elevational view thereof;  
FIG. 3 is a left side elevational view thereof;  
FIG. 4 is a right side elevational view thereof;  
FIG. 5 is a top plan view thereof;  
FIG. 6 is a bottom plan view thereof;  
FIG. 7 is a perspective view thereof, showing the inner column and the outer cover combined together; and,  
FIG. 8 is a perspective view thereof, showing the inner column and the outer cover separated.  
The broken lines depict portions of the roller that form no part of the claimed design.

**1 Claim, 8 Drawing Sheets**



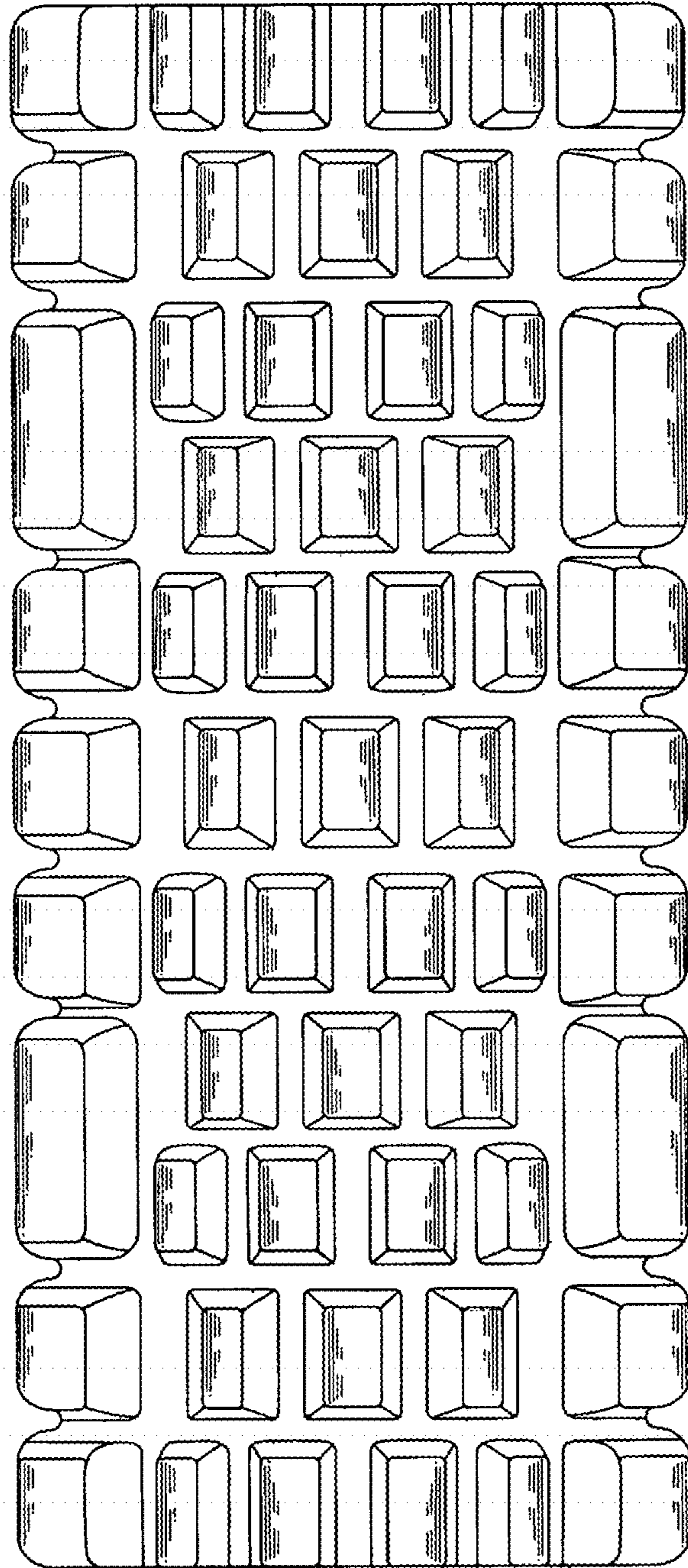


FIG. 1

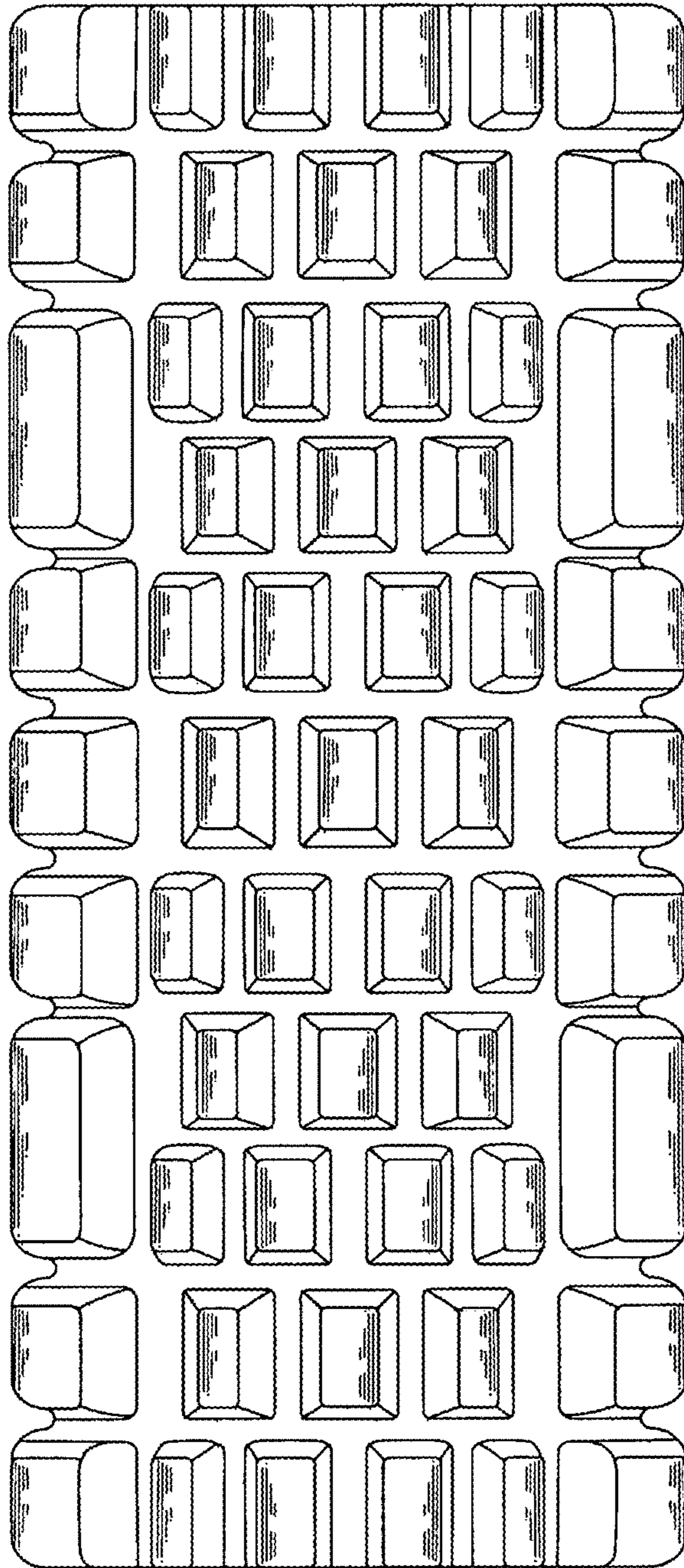


FIG.2

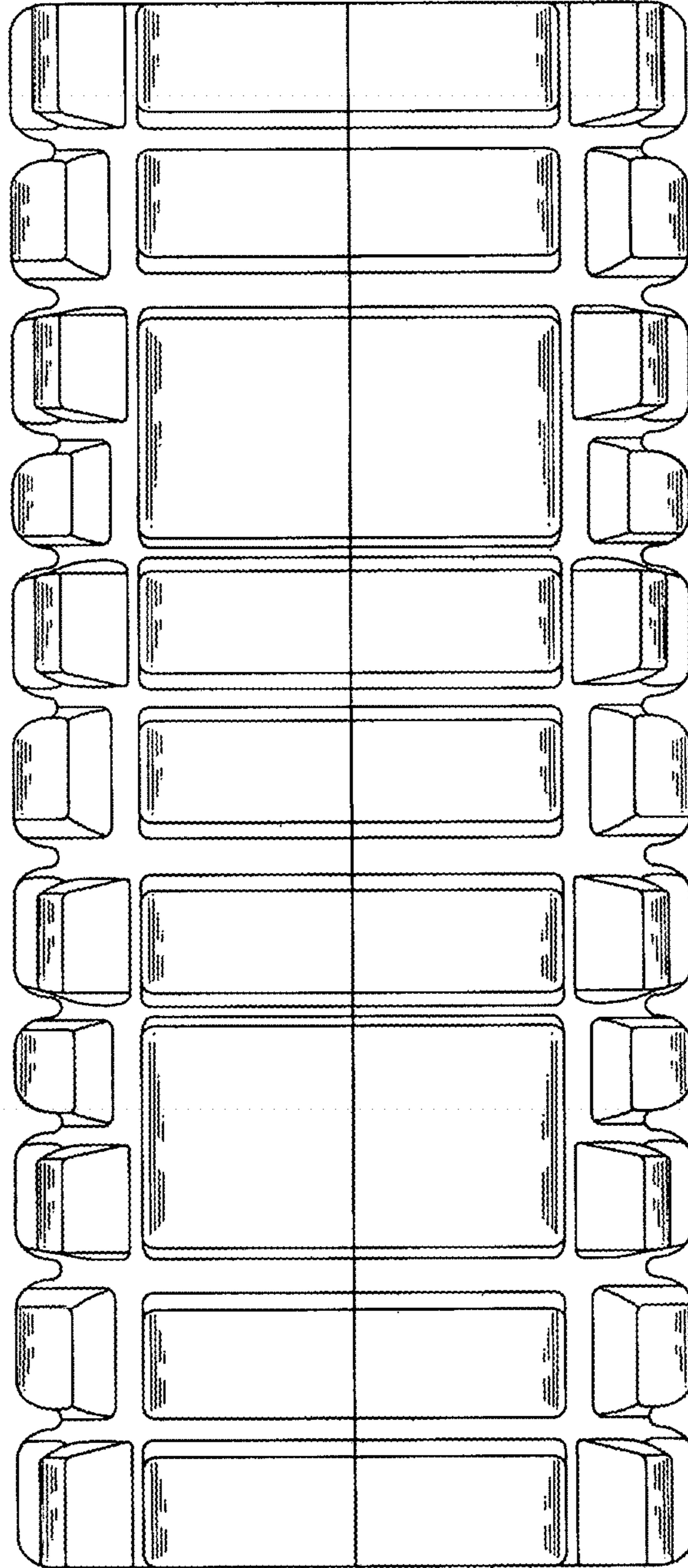


FIG.3

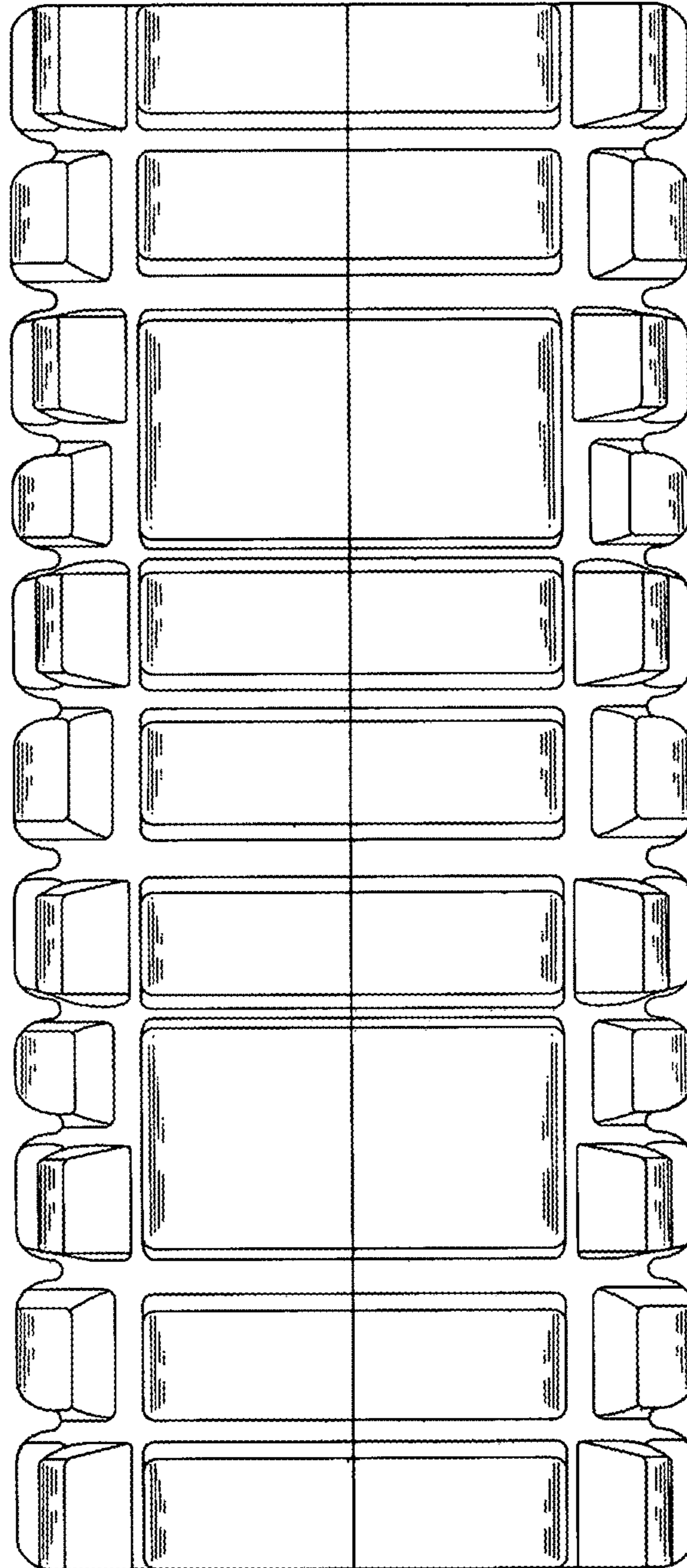


FIG.4

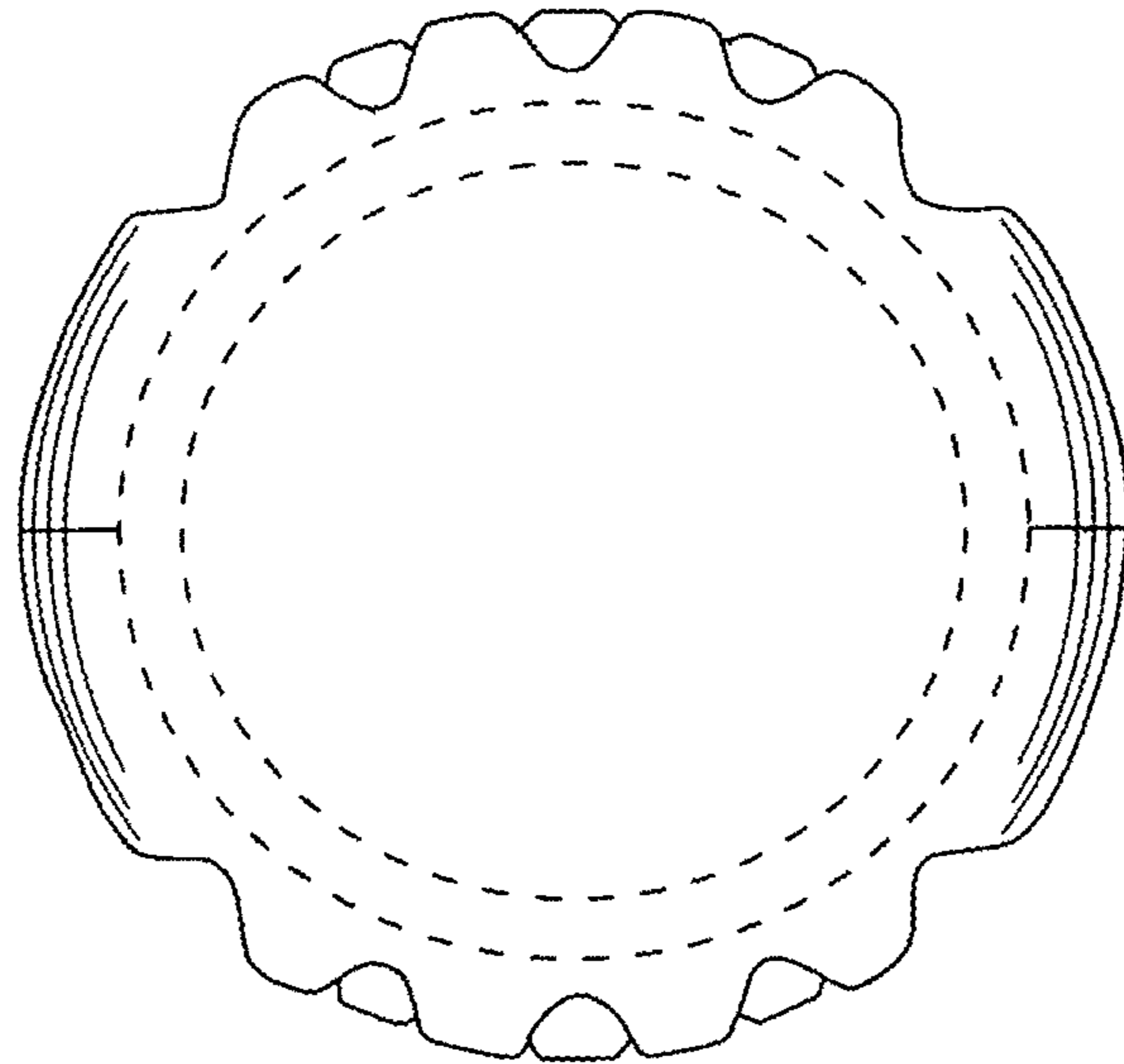


FIG. 5

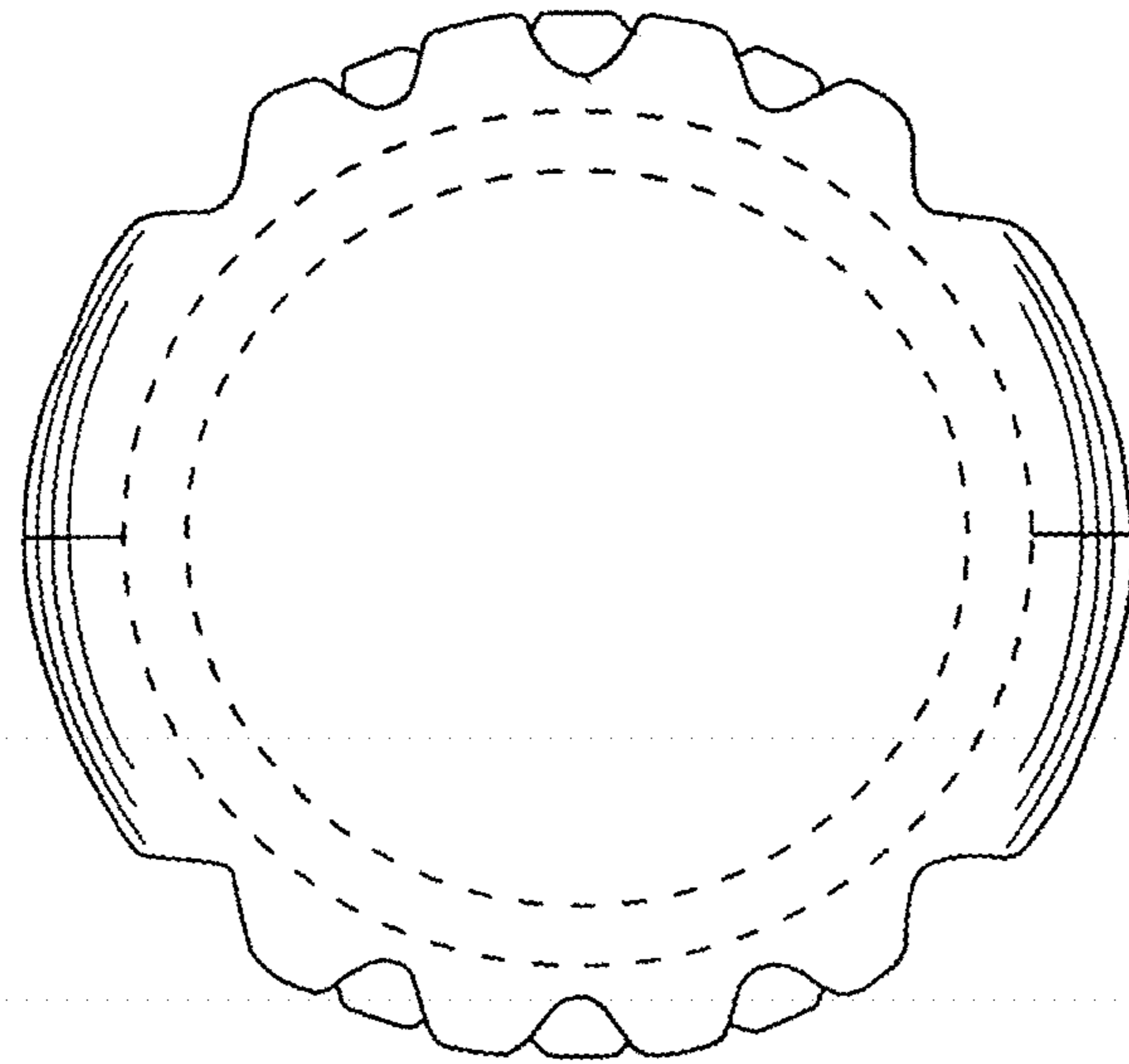


FIG.6

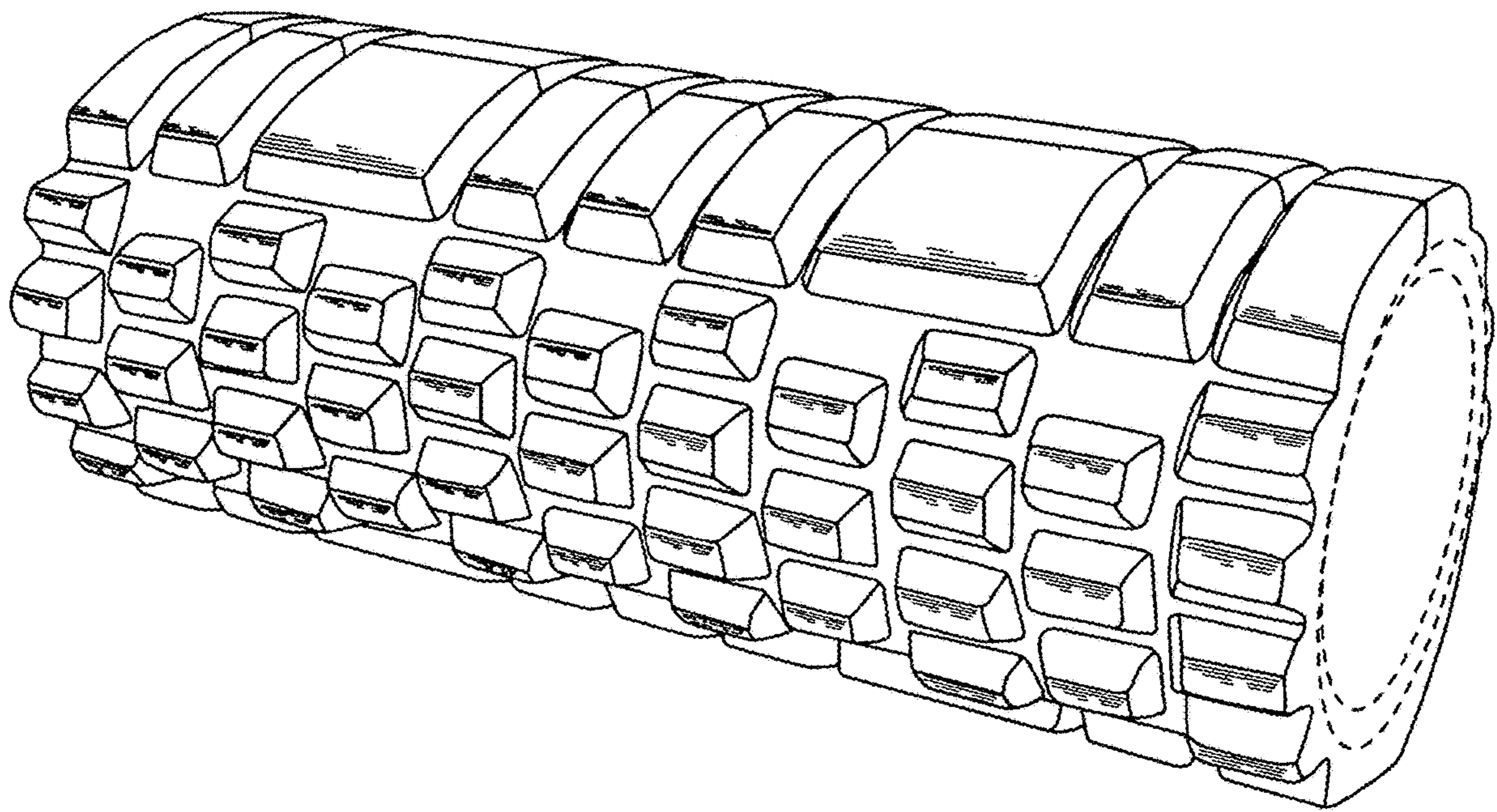


FIG. 7



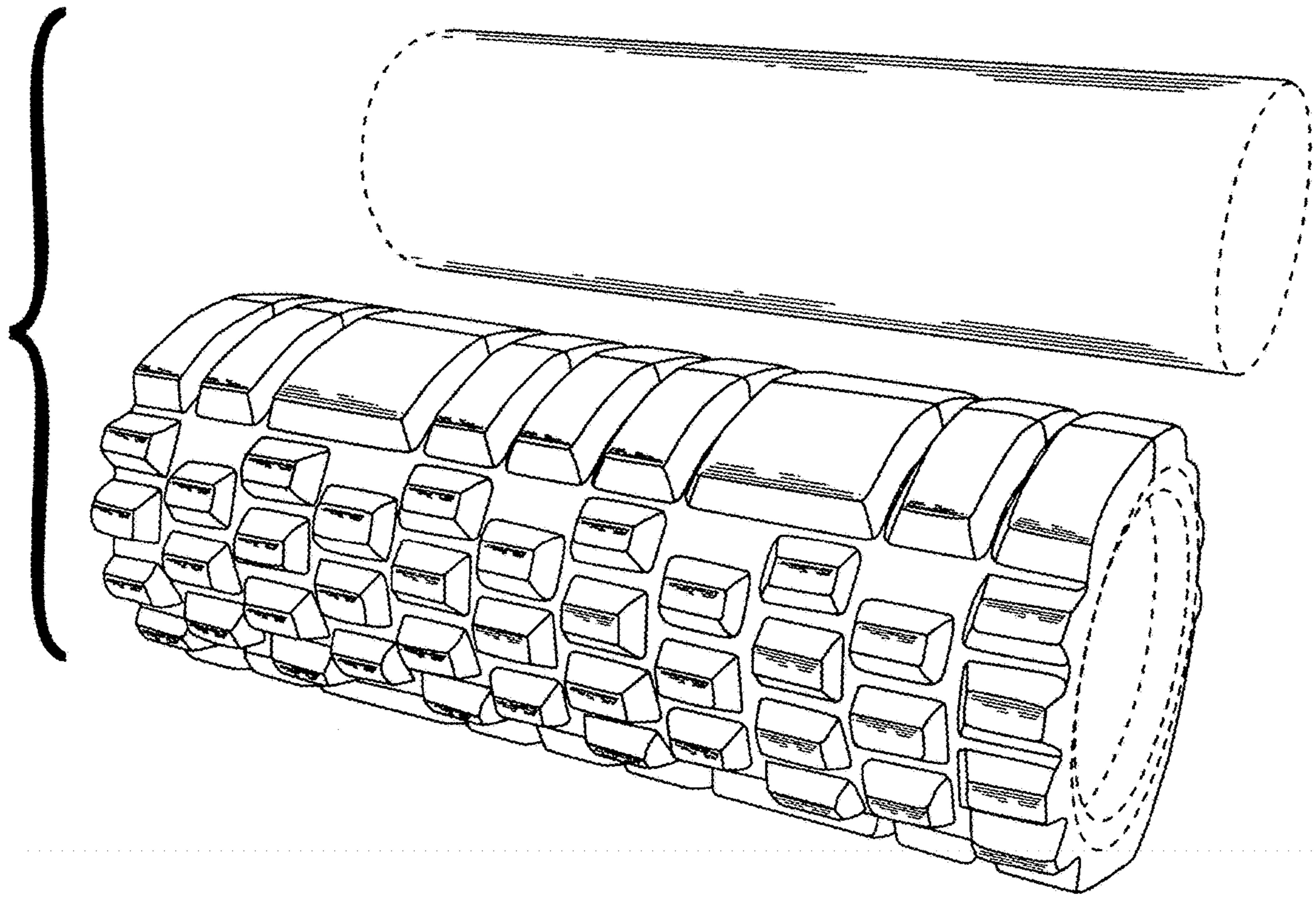


FIG. 8