



US00D900256S

(12) **United States Design Patent** (10) **Patent No.:** **US D900,256 S**  
**Johansen** (45) **Date of Patent:** **\*\* Oct. 27, 2020**

(54) **CARDIO EQUIPMENT**

(71) Applicant: **Kompan A/S**, Odense SØ (DK)  
(72) Inventor: **Martin Nørgaard Johansen**, Odense SØ (DK)  
(73) Assignee: **KOMPAN A/S**, Odense SØ (DK)  
(\*\*) Term: **15 Years**  
(21) Appl. No.: **29/678,890**

*Primary Examiner* — Cynthia Ramirez  
*Assistant Examiner* — Michael A Maharajh  
(74) *Attorney, Agent, or Firm* — Polson Intellectual Property Law, PC; Margaret Polson

(57) **CLAIM**

The ornamental design for cardio equipment, as shown and described.

(22) Filed: **Jan. 31, 2019**  
(51) **LOC (12) Cl.** ..... **21-02**  
(52) **U.S. Cl.**  
USPC ..... **D21/663**  
(58) **Field of Classification Search**  
USPC ..... D12/400, 406, 407, 414; D21/662, 663, D21/665, 666, 667, 668, 669, 670, 671, D21/673, 685, 694, 696, 697  
CPC .... A63B 2022/0641; A63B 2022/0647; A63B 21/225; A63B 21/4049  
See application file for complete search history.

**DESCRIPTION**

FIG. 1 is a front perspective view of a first embodiment of the cardio equipment showing my design;  
FIG. 2 is a front view of FIG. 1;  
FIG. 3 is a back view of FIG. 1;  
FIG. 4 is a left-side view of FIG. 1;  
FIG. 5 is a right-side view of FIG. 1;  
FIG. 6 is a top view of FIG. 1;  
FIG. 7 is a bottom view of FIG. 1;  
FIG. 8 is a front perspective view of a second embodiment of the cardio equipment;  
FIG. 9 is a front view of FIG. 8;  
FIG. 10 is a back view of FIG. 8;  
FIG. 11 is a left-side view of FIG. 8;  
FIG. 12 is a right-side view of FIG. 8;  
FIG. 13 is a top view of FIG. 8;  
FIG. 14 is a bottom view of FIG. 8;  
FIG. 15 is a front perspective view of a third embodiment of the cardio equipment;  
FIG. 16 is a front view of FIG. 15;  
FIG. 17 is a back view of FIG. 15;  
FIG. 18 is a left-side view of FIG. 15;  
FIG. 19 is a right-side view of FIG. 15;  
FIG. 20 is a bottom view of FIG. 15; and,  
FIG. 21 is a top view of FIG. 15.  
The broken lines in the drawings are for the purposes of illustrating environmental structure, which form no part of the claimed design.

(56) **References Cited**

**U.S. PATENT DOCUMENTS**

D369,844 S *	5/1996	Dupuis	.....	D21/663
D372,283 S *	7/1996	Chen	.....	D21/663
D380,795 S *	7/1997	Wang	.....	D21/663
D392,352 S *	3/1998	Hill	.....	D21/663
D397,383 S *	8/1998	Sands	.....	D21/663
D398,672 S *	9/1998	Sands	.....	D21/663
D401,644 S *	11/1998	Chen	.....	D21/663
D406,288 S *	3/1999	Chen	.....	D21/663
D438,580 S *	3/2001	Shaw	.....	D21/663

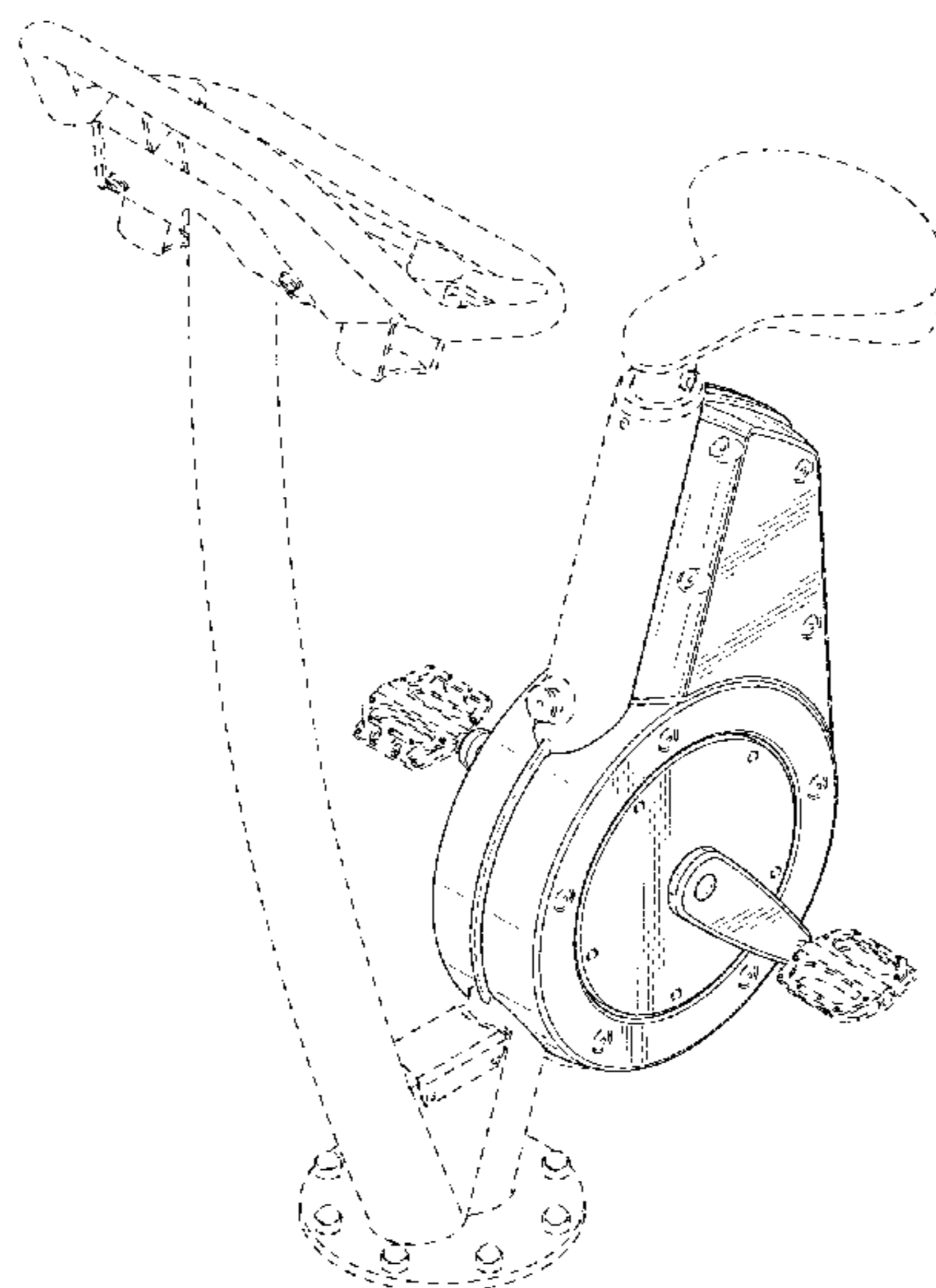
(Continued)

**OTHER PUBLICATIONS**

Youtube, "Kompan Fitness Bike" Mar. 4, 2019. <https://www.youtube.com/watch?v=iSqpb3PiGIM>. Shown at the 2:21 minute mark. (Year: 2019).\*

(Continued)

**1 Claim, 21 Drawing Sheets**



(56)

References Cited

U.S. PATENT DOCUMENTS

D438,581 S \* 3/2001 Shaw ..... D21/663  
 D438,919 S \* 3/2001 Shaw ..... D21/663  
 D446,266 S \* 8/2001 Lin ..... D21/663  
 D450,100 S \* 11/2001 Hsu ..... D21/694  
 D450,101 S \* 11/2001 Hsu ..... D21/694  
 D451,972 S \* 12/2001 Easley ..... D21/694  
 D452,285 S \* 12/2001 Easley ..... D21/694  
 D459,776 S \* 7/2002 Lee ..... D21/697  
 D475,424 S \* 6/2003 Lee ..... D21/694  
 6,669,603 B1 \* 12/2003 Forcillo ..... A63B 21/015  
 482/51  
 D558,841 S \* 1/2008 Clawson ..... D21/668  
 D563,489 S \* 3/2008 Giannelli ..... D21/668  
 D564,052 S \* 3/2008 Brietlow ..... D21/697  
 D564,605 S \* 3/2008 Chen ..... D21/697  
 D565,129 S \* 3/2008 Chang ..... D21/668  
 D567,310 S \* 4/2008 Chen ..... D21/668  
 D569,455 S \* 5/2008 Dukhande ..... D21/668  
 D571,417 S \* 6/2008 Su ..... D21/667  
 D579,989 S \* 11/2008 Bingham, Jr. .... D21/667  
 D586,409 S \* 2/2009 Keiser ..... D21/667  
 D599,863 S \* 9/2009 Quijada ..... D21/665

D606,599 S \* 12/2009 Murray ..... D21/668  
 D616,050 S \* 5/2010 Lull ..... D21/667  
 D624,612 S \* 9/2010 Watt ..... D21/667  
 D625,762 S \* 10/2010 Fon ..... D21/667  
 D636,449 S \* 4/2011 Wu ..... D21/667  
 D637,245 S \* 5/2011 Huber ..... D21/666  
 D649,203 S \* 11/2011 Zhang ..... D21/667  
 D649,204 S \* 11/2011 Zhang ..... D21/667  
 D654,125 S \* 2/2012 van der Meer ..... D21/667  
 D656,566 S \* 3/2012 Decommer ..... D21/667  
 D663,794 S \* 7/2012 Bingham ..... D21/663  
 D666,685 S \* 9/2012 Bingham ..... D21/663  
 D676,508 S \* 2/2013 Wu ..... D21/667  
 D677,349 S \* 3/2013 Baudhuin ..... D21/667  
 D682,370 S \* 5/2013 Bingham ..... D21/663  
 D699,796 S \* 2/2014 Flick ..... D21/665  
 D709,566 S \* 7/2014 Baudhuin ..... D21/667  
 D818,057 S \* 5/2018 Servadei ..... D21/663

OTHER PUBLICATIONS

Kompan, "City Bike", Jun. 27, 2020. <https://www.kompan.us/sport-fitness/outdoor-fitness/cardio/city-bike>. Shown on p. 1. (Year: 2020).\*

\* cited by examiner

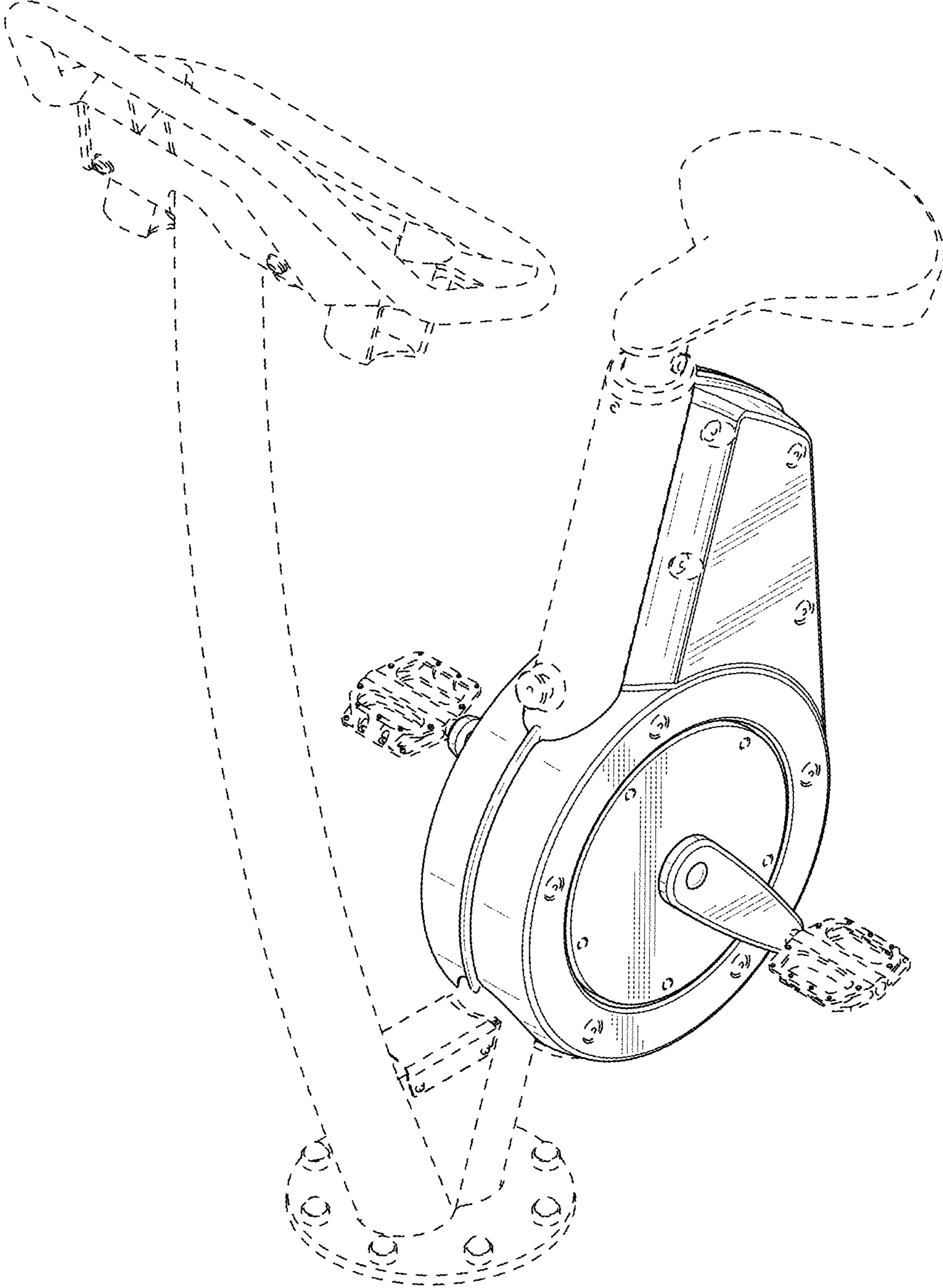


FIG. 1

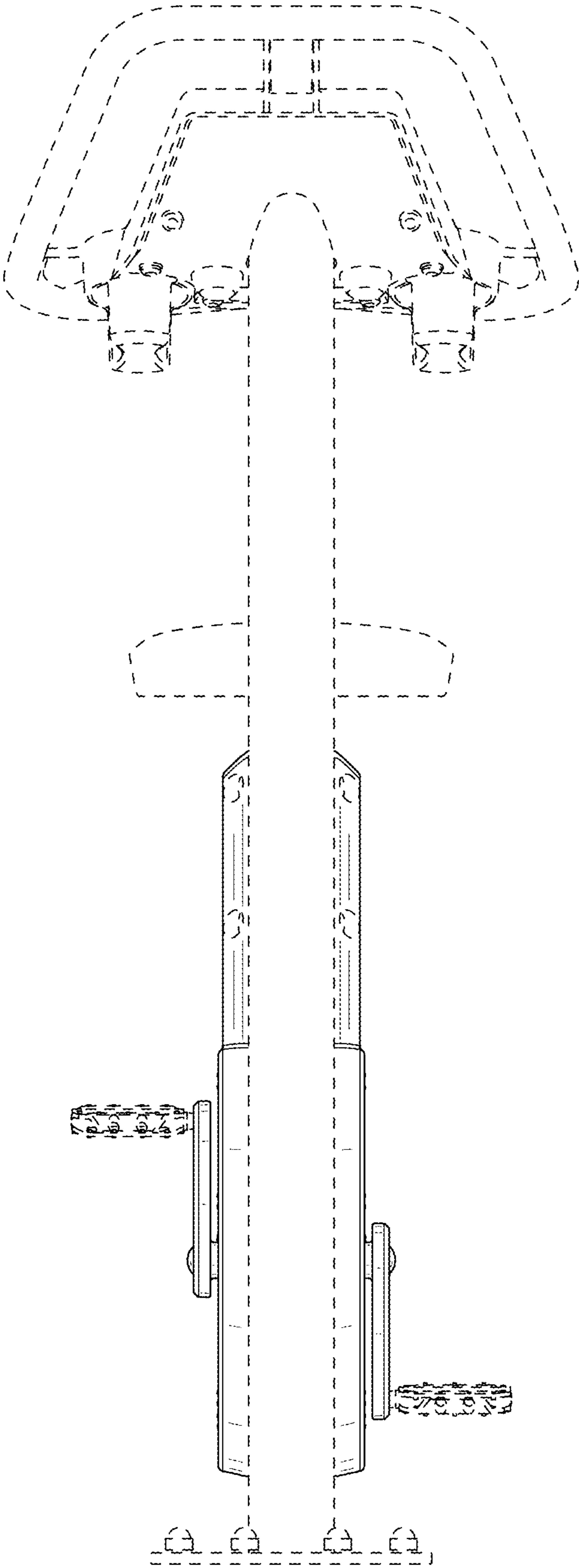


FIG. 2



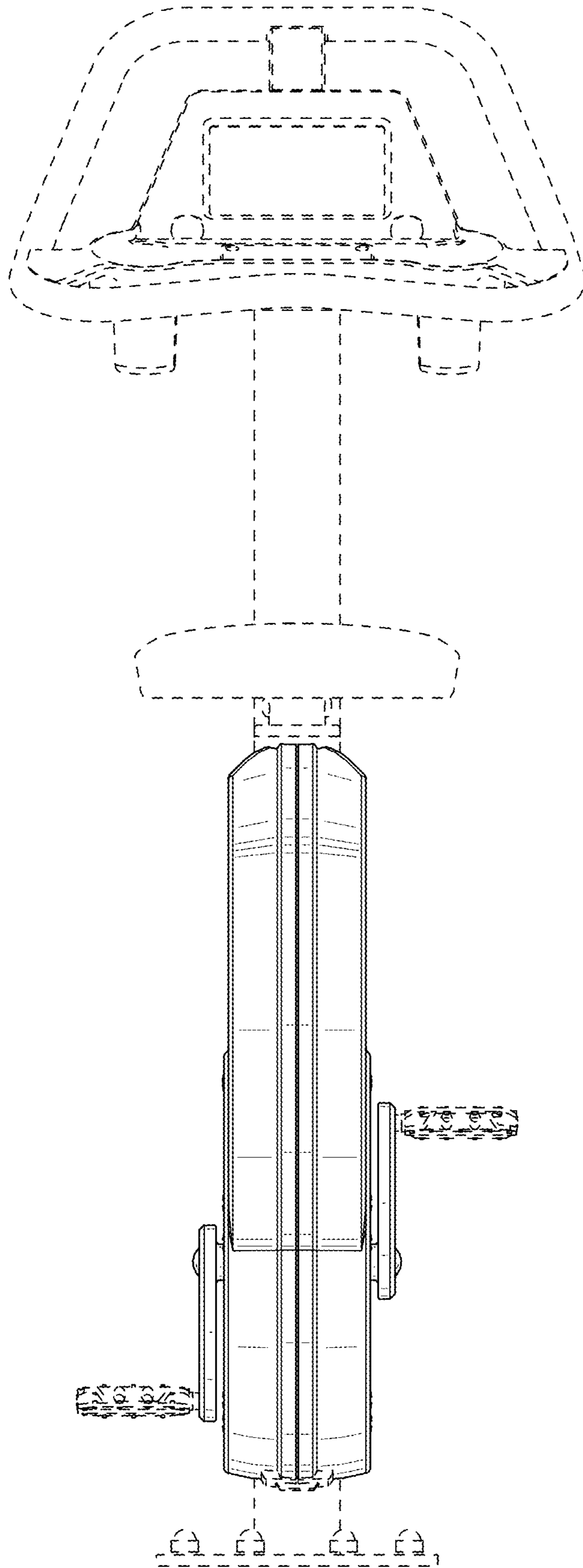


FIG. 3

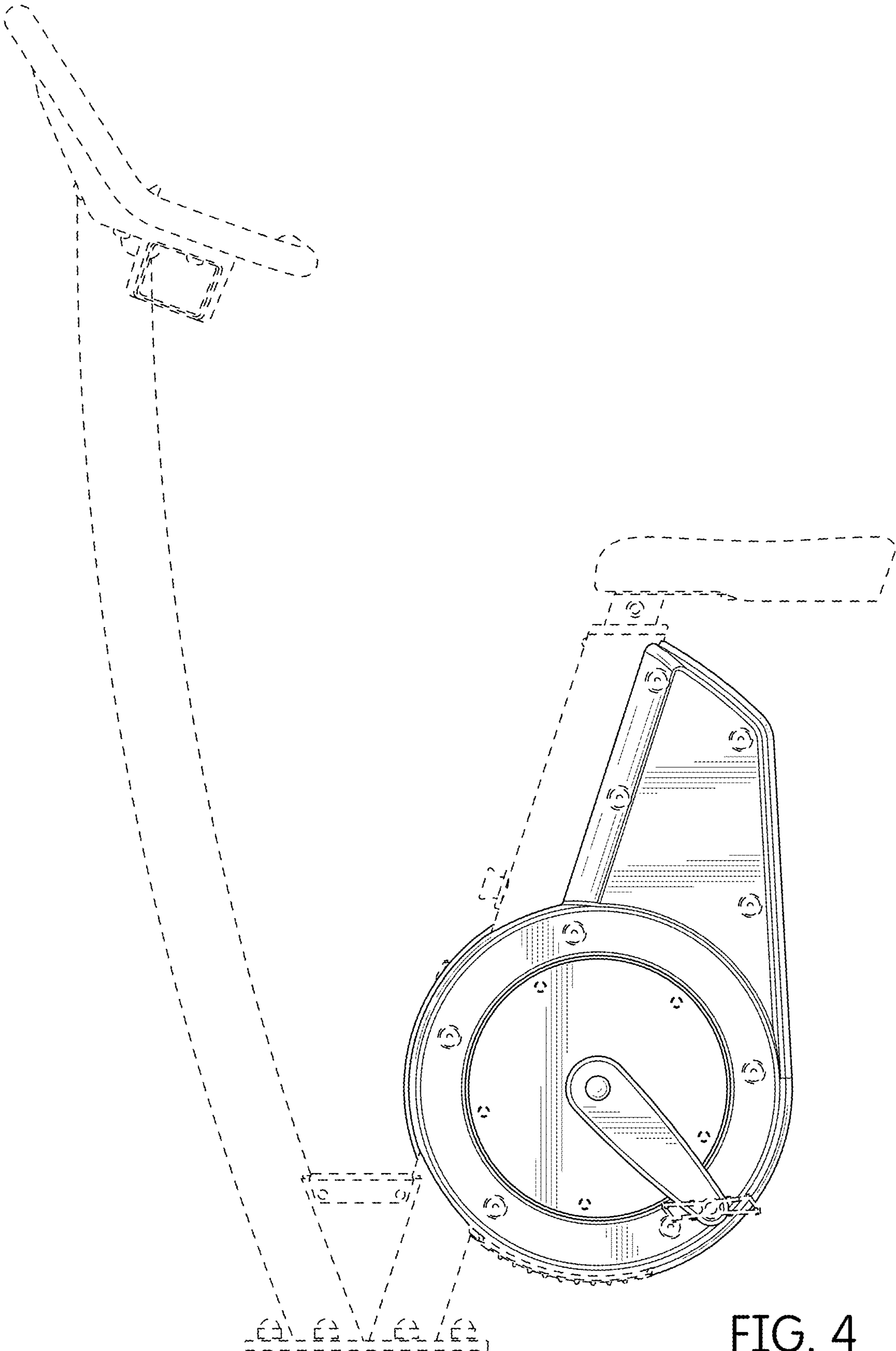


FIG. 4

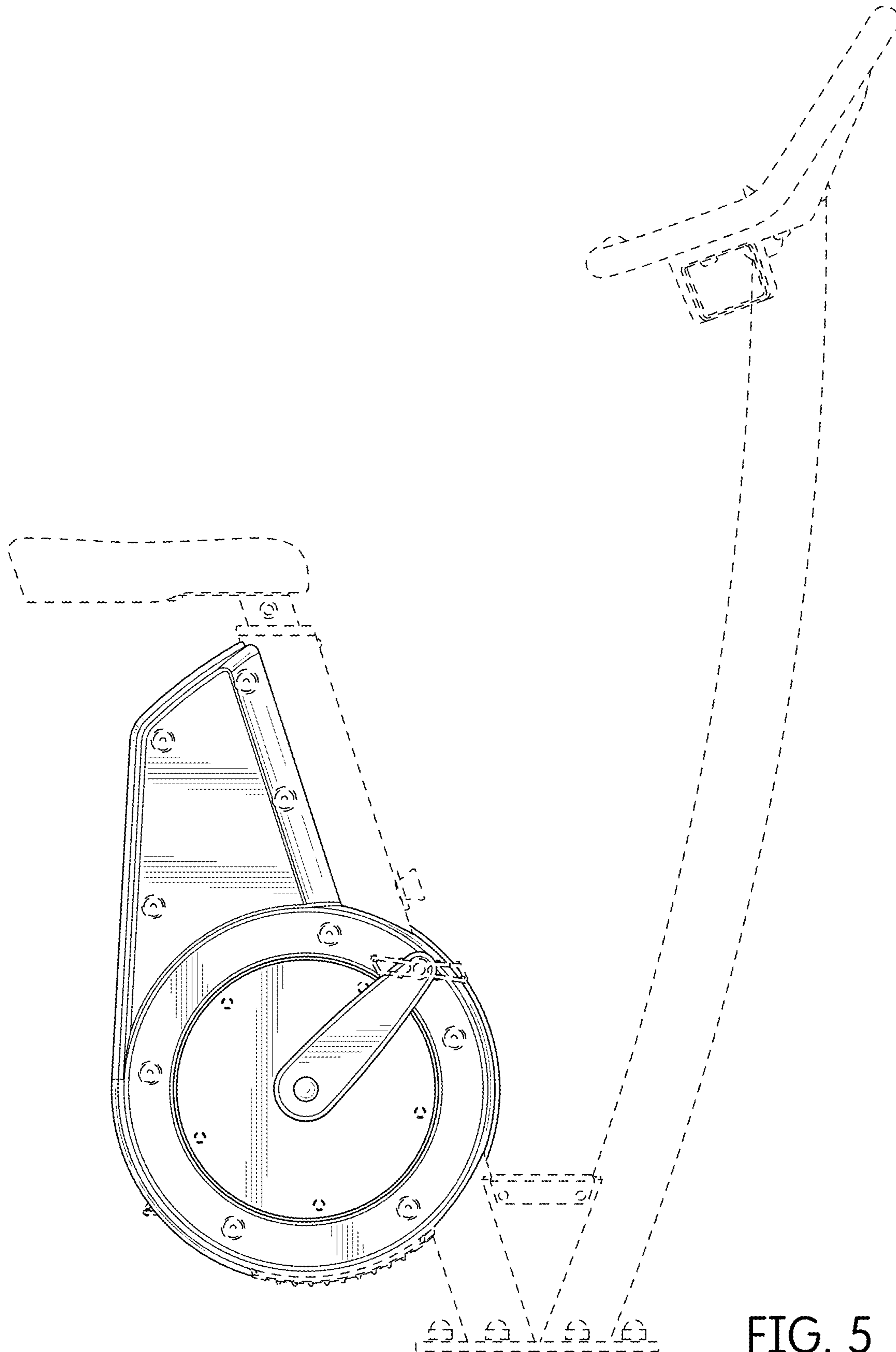


FIG. 5

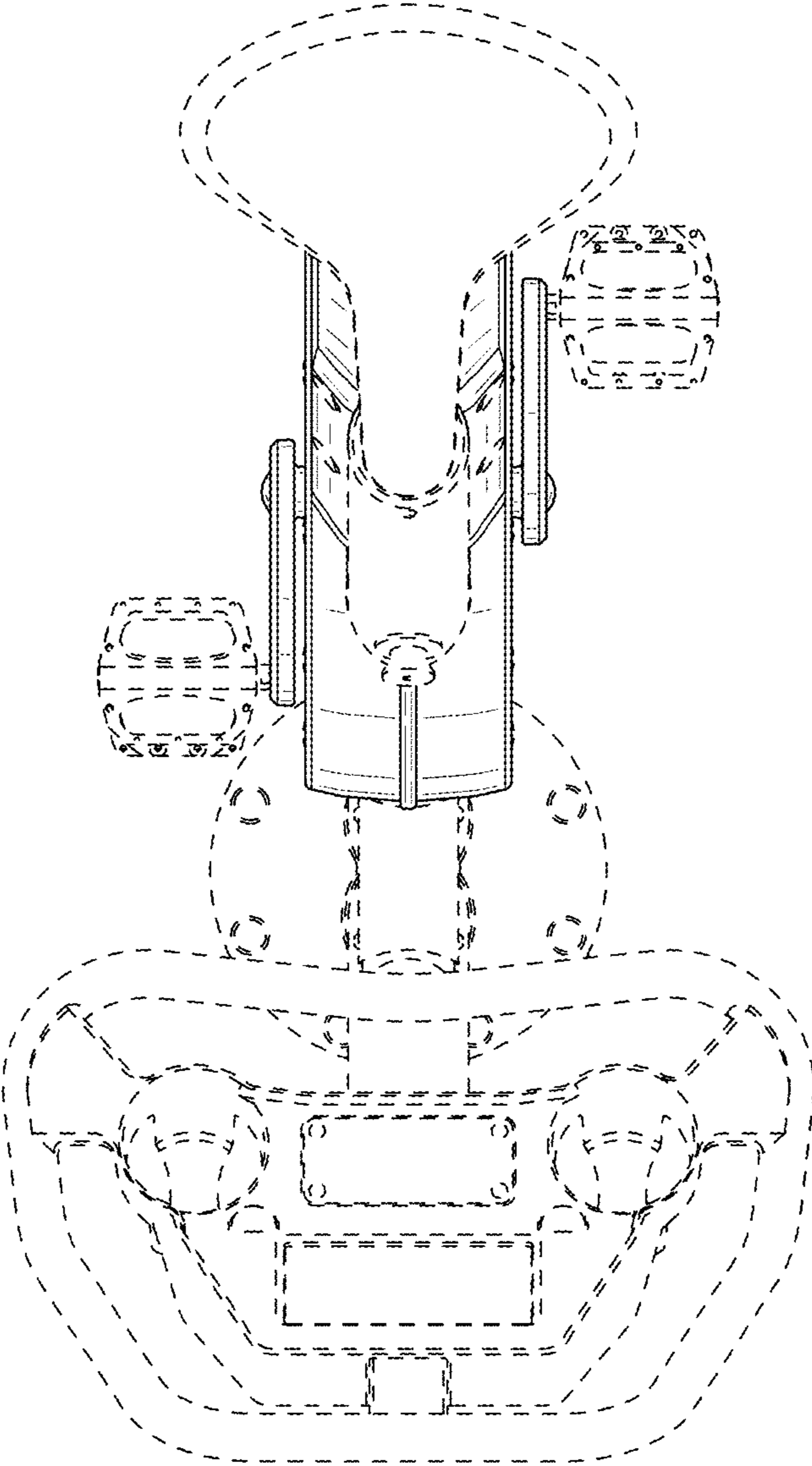


FIG. 6



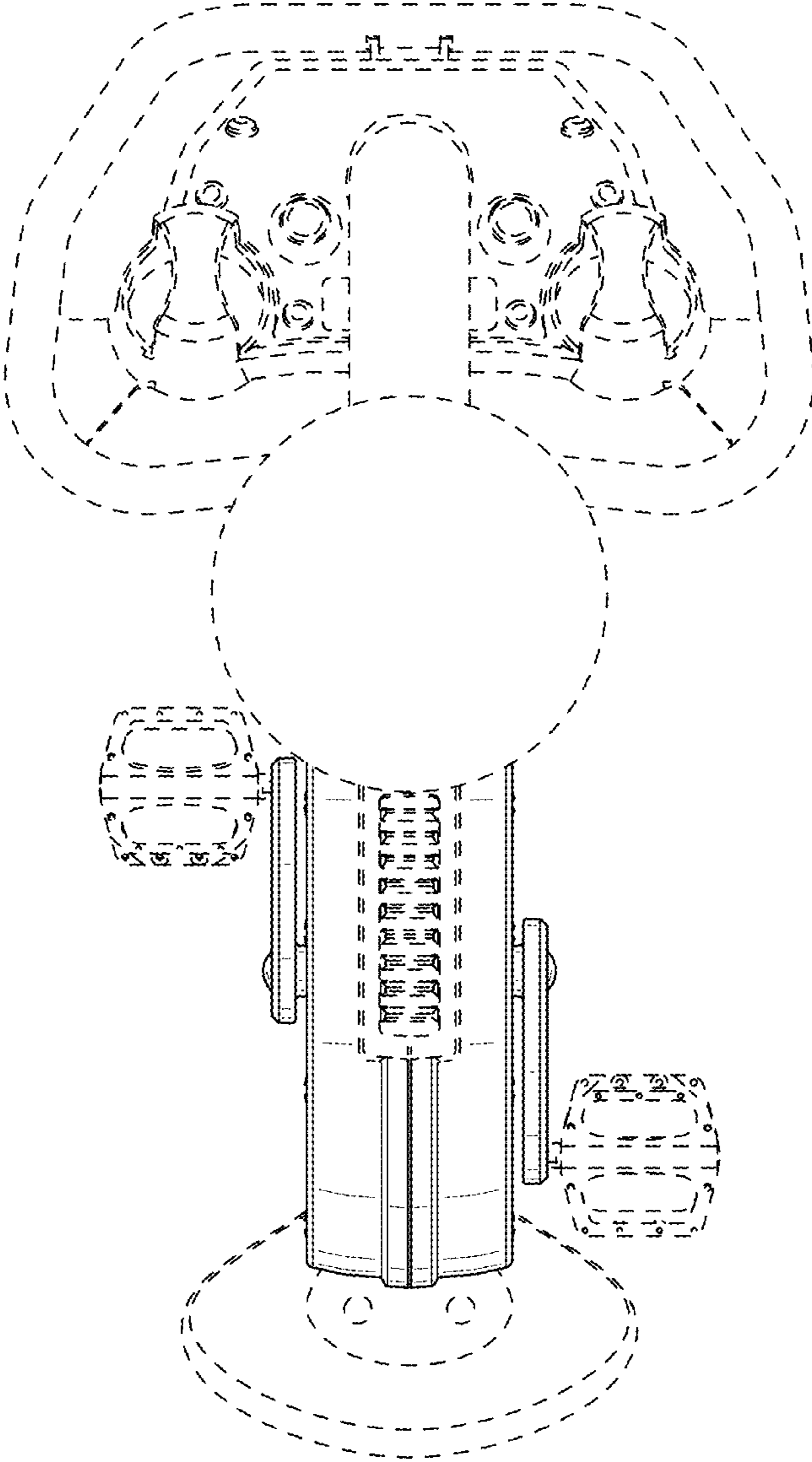


FIG. 7

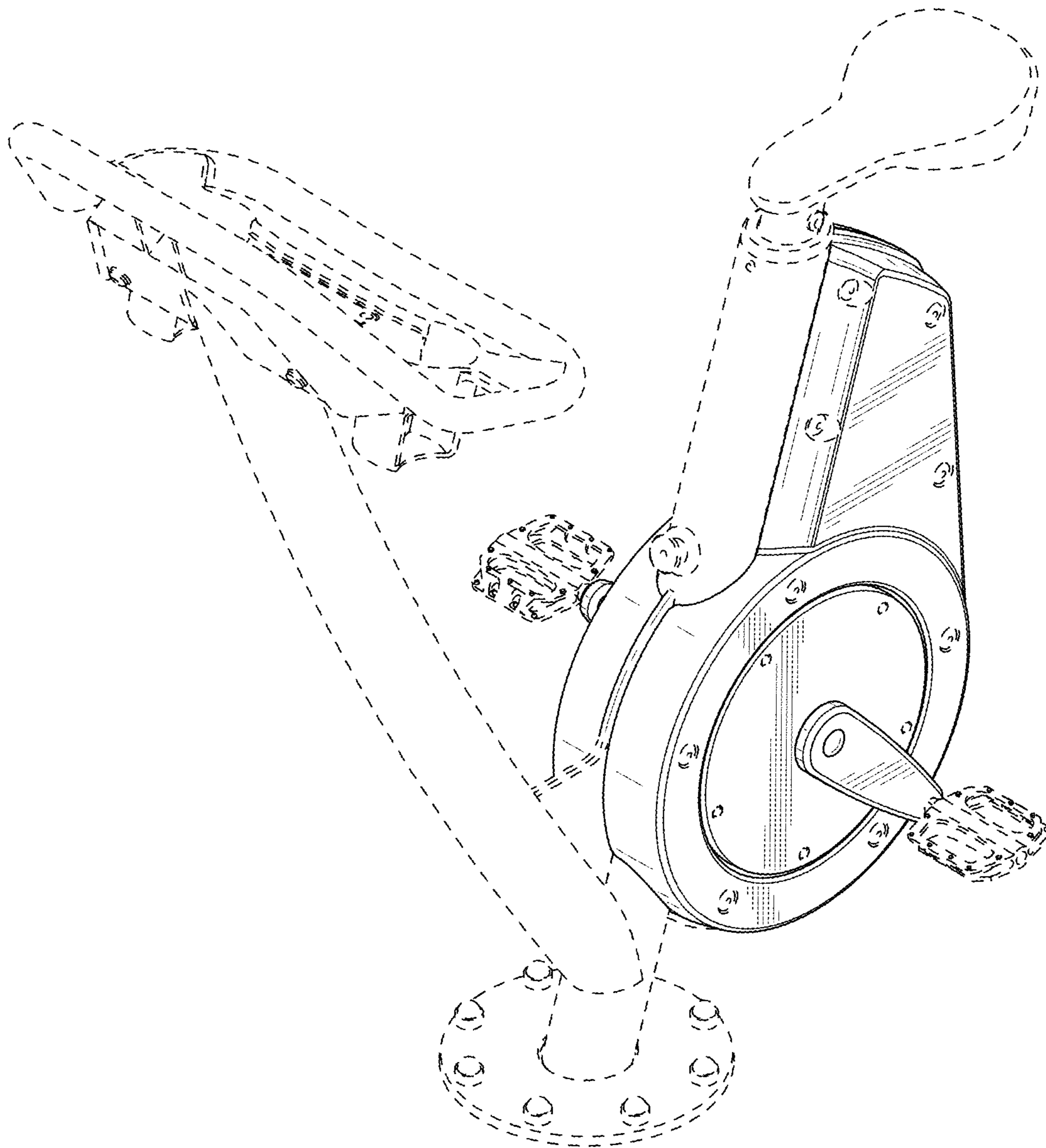


FIG. 8

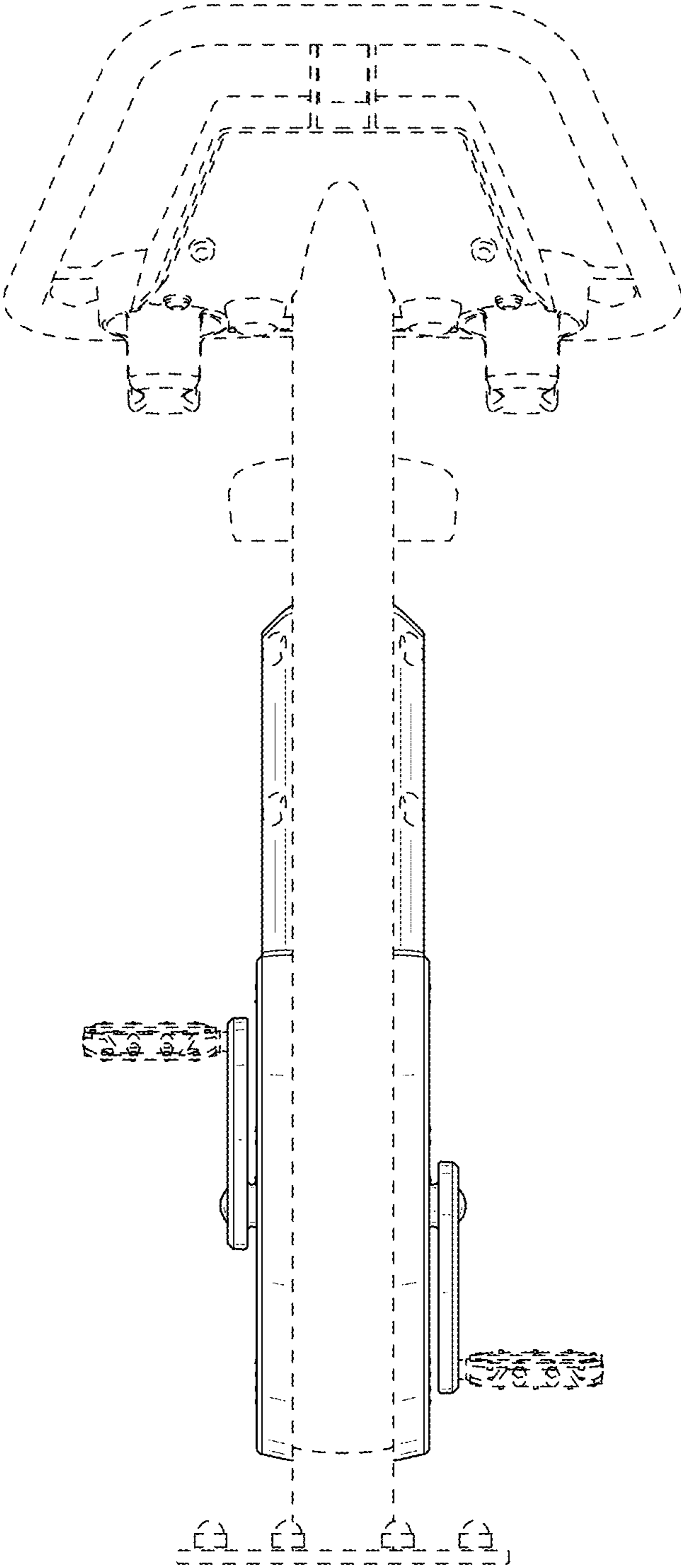


FIG. 9

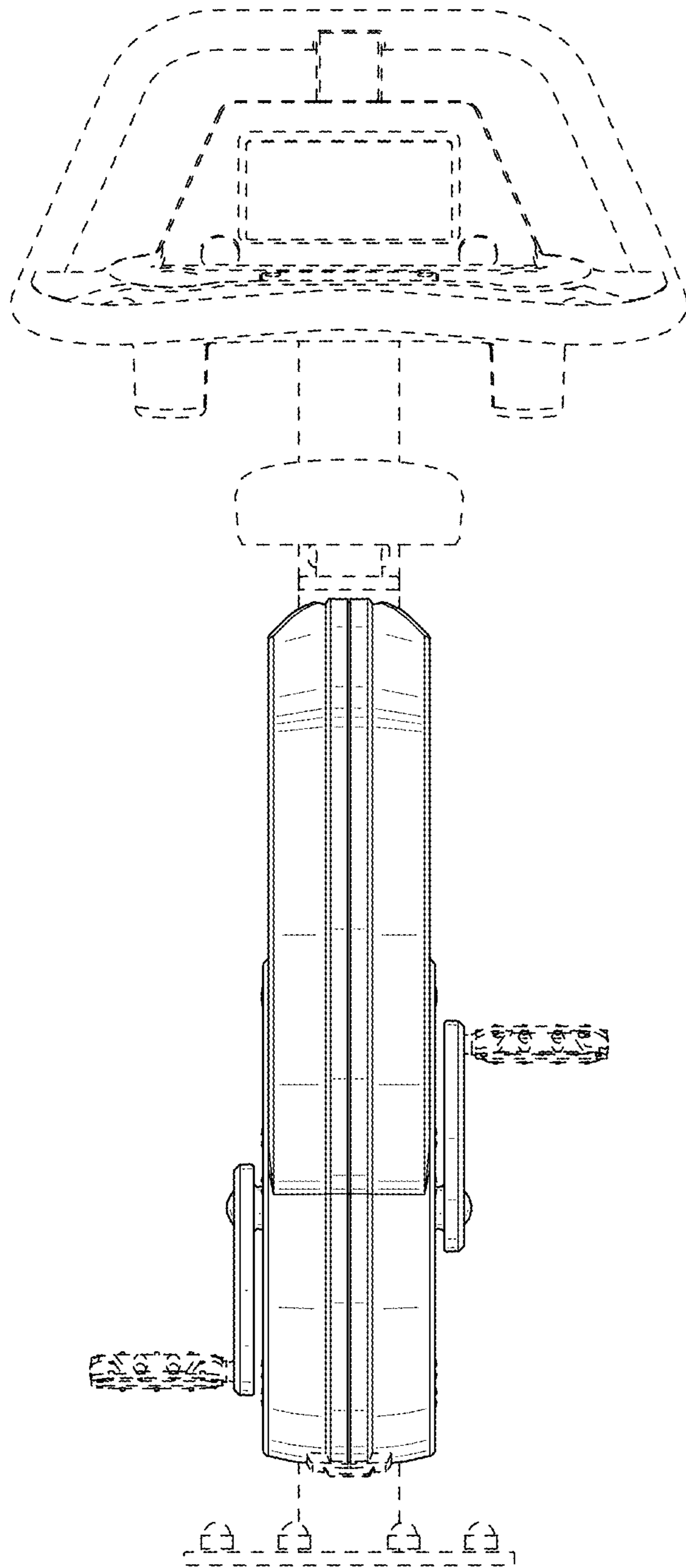


FIG. 10

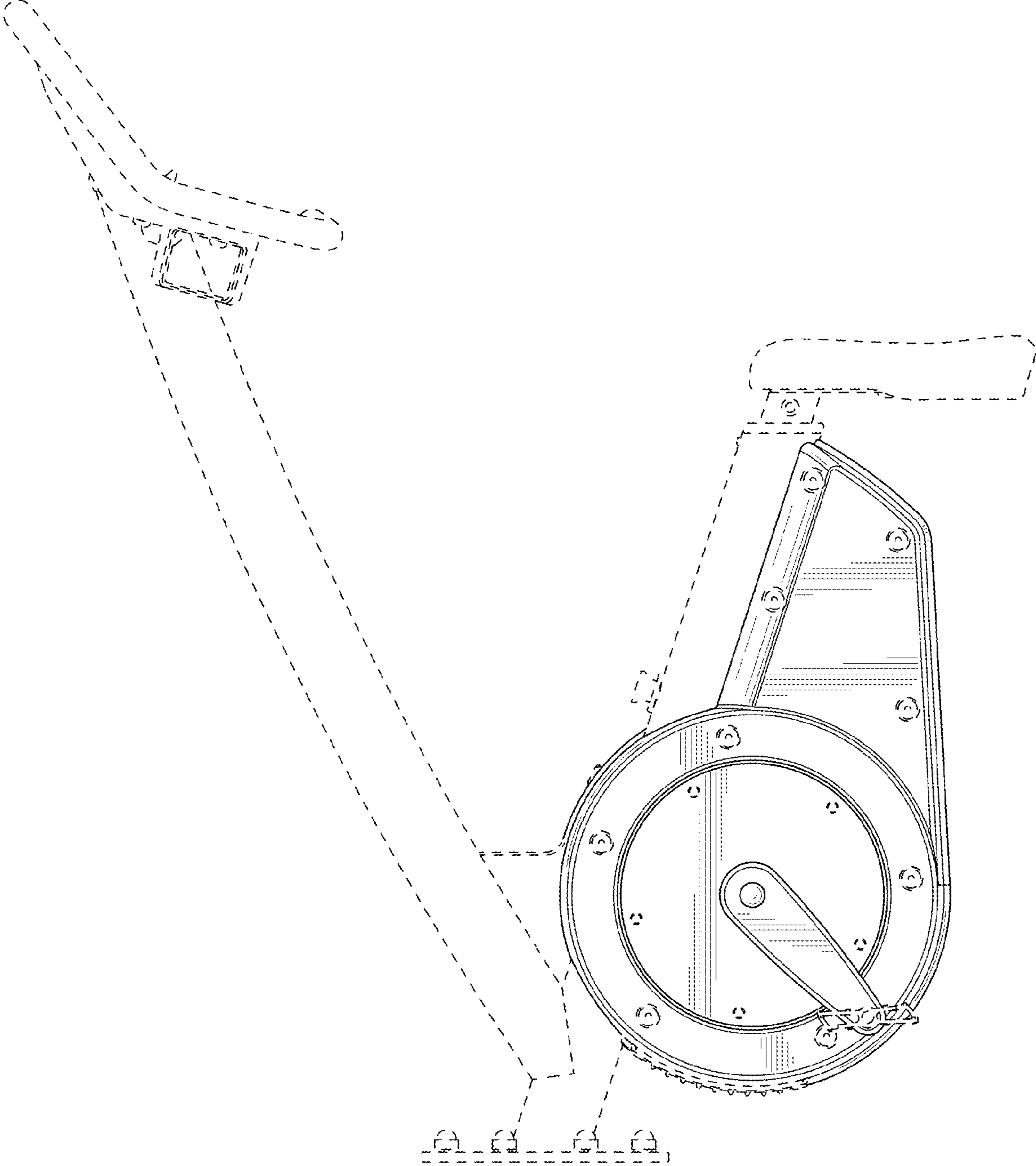


FIG. 11



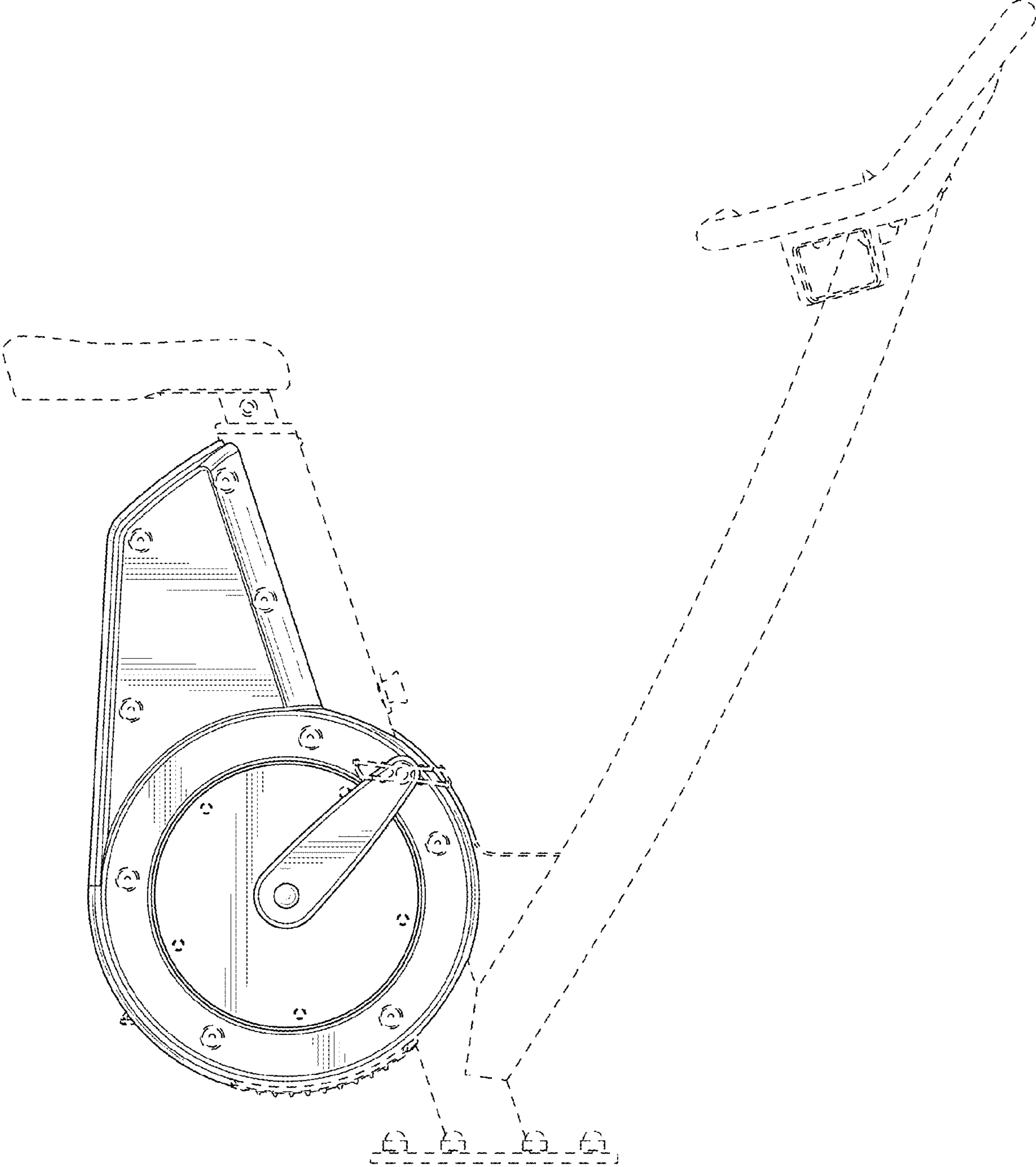


FIG. 12

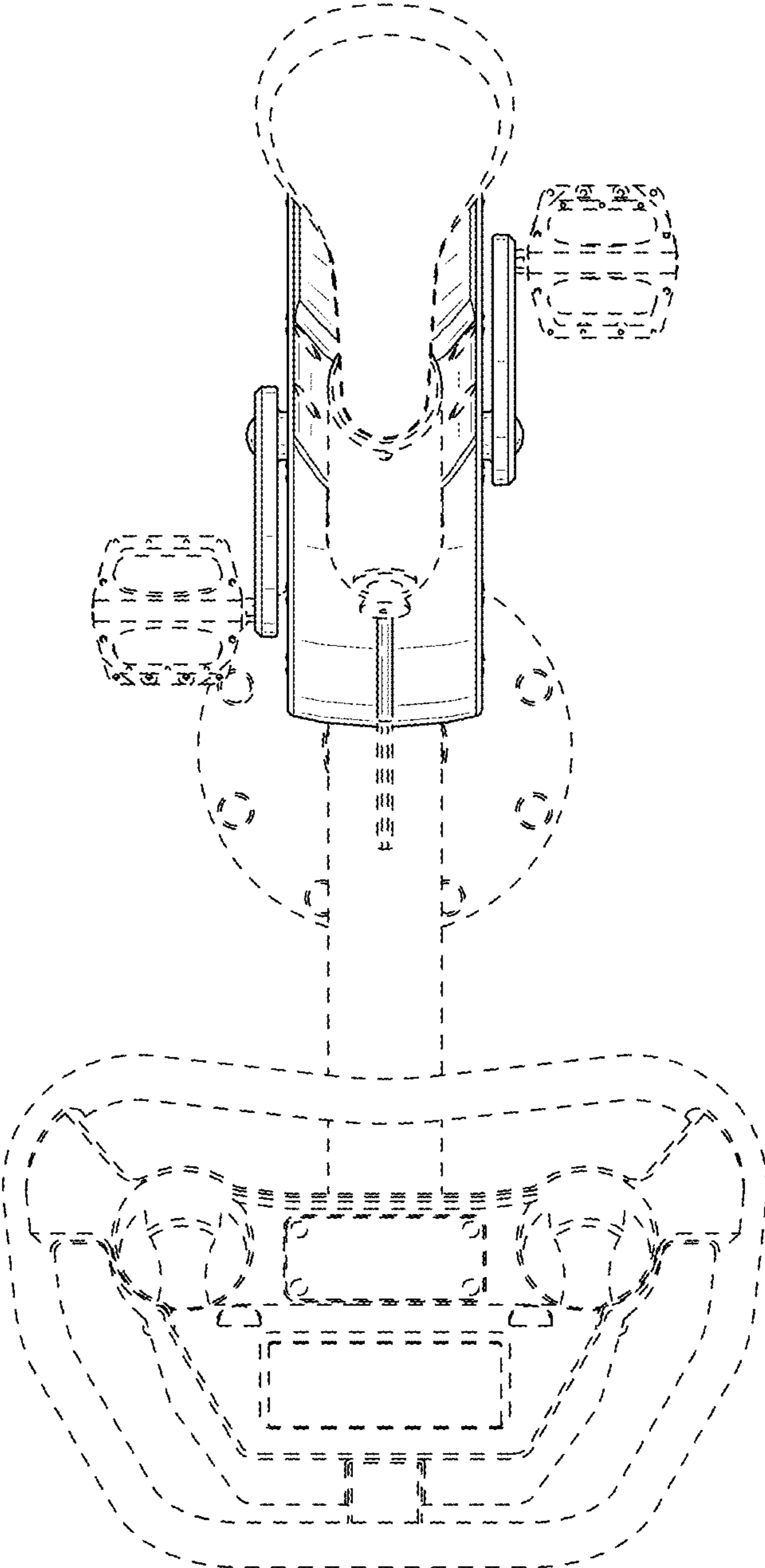


FIG. 13

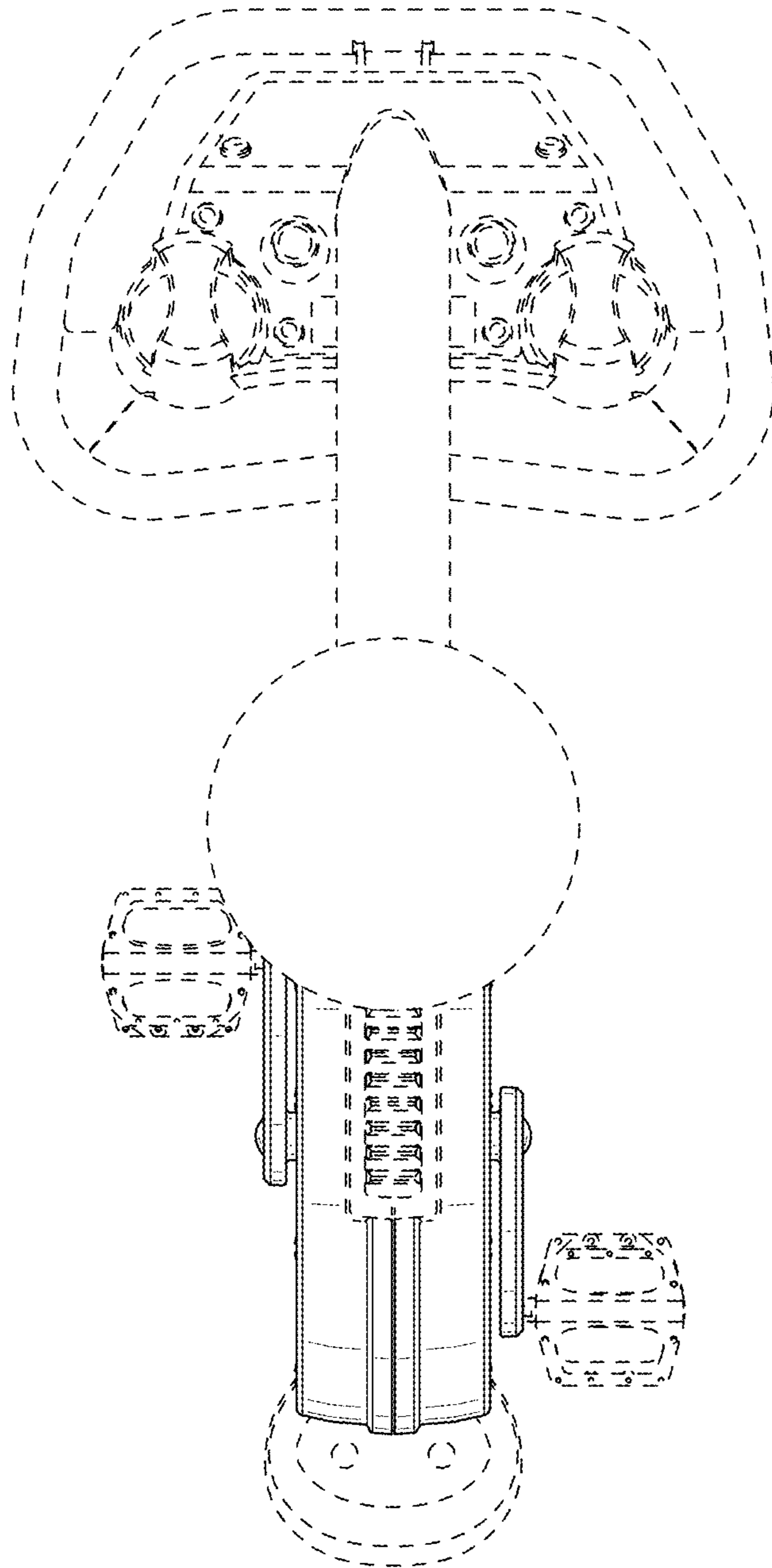


FIG. 14

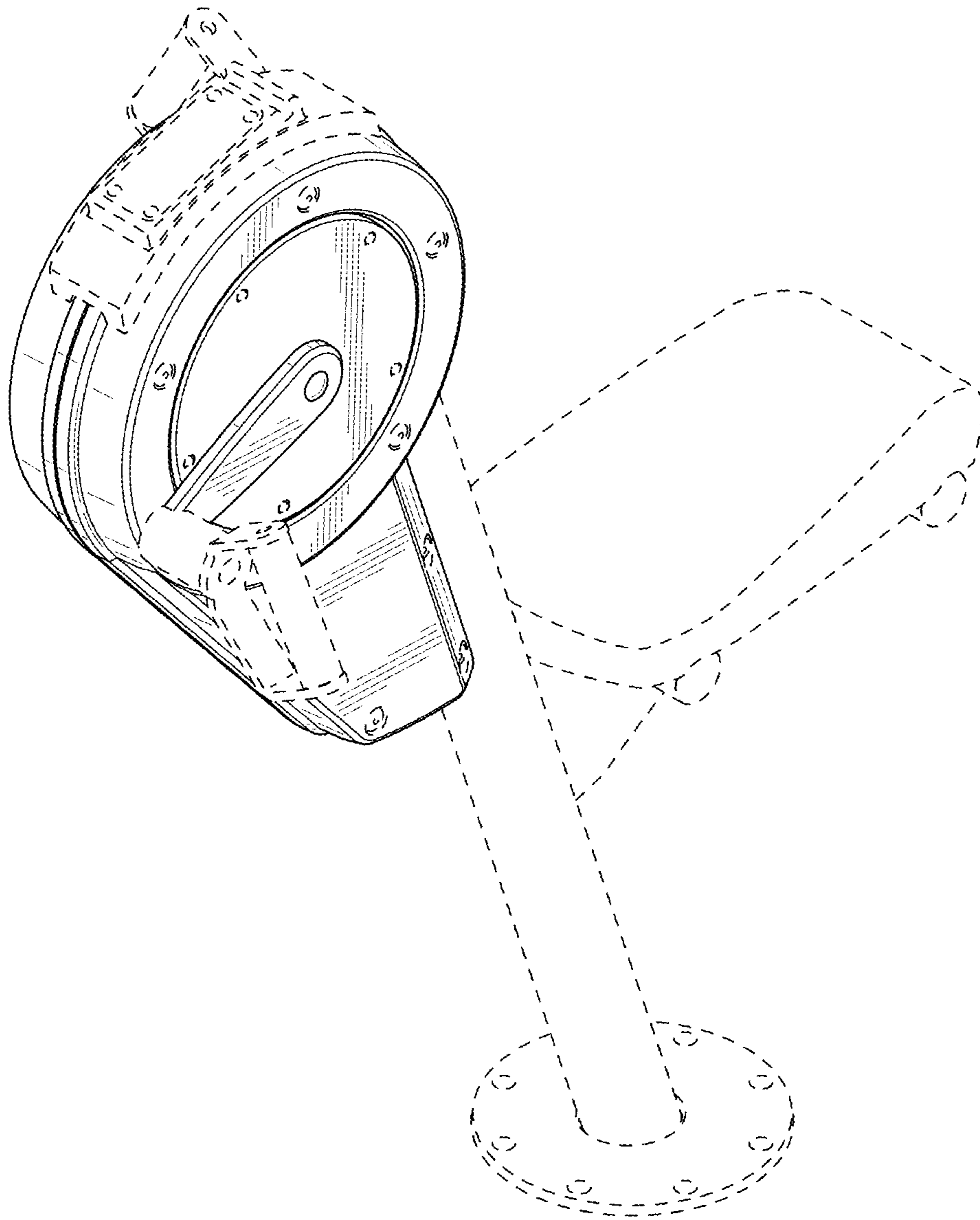


FIG. 15

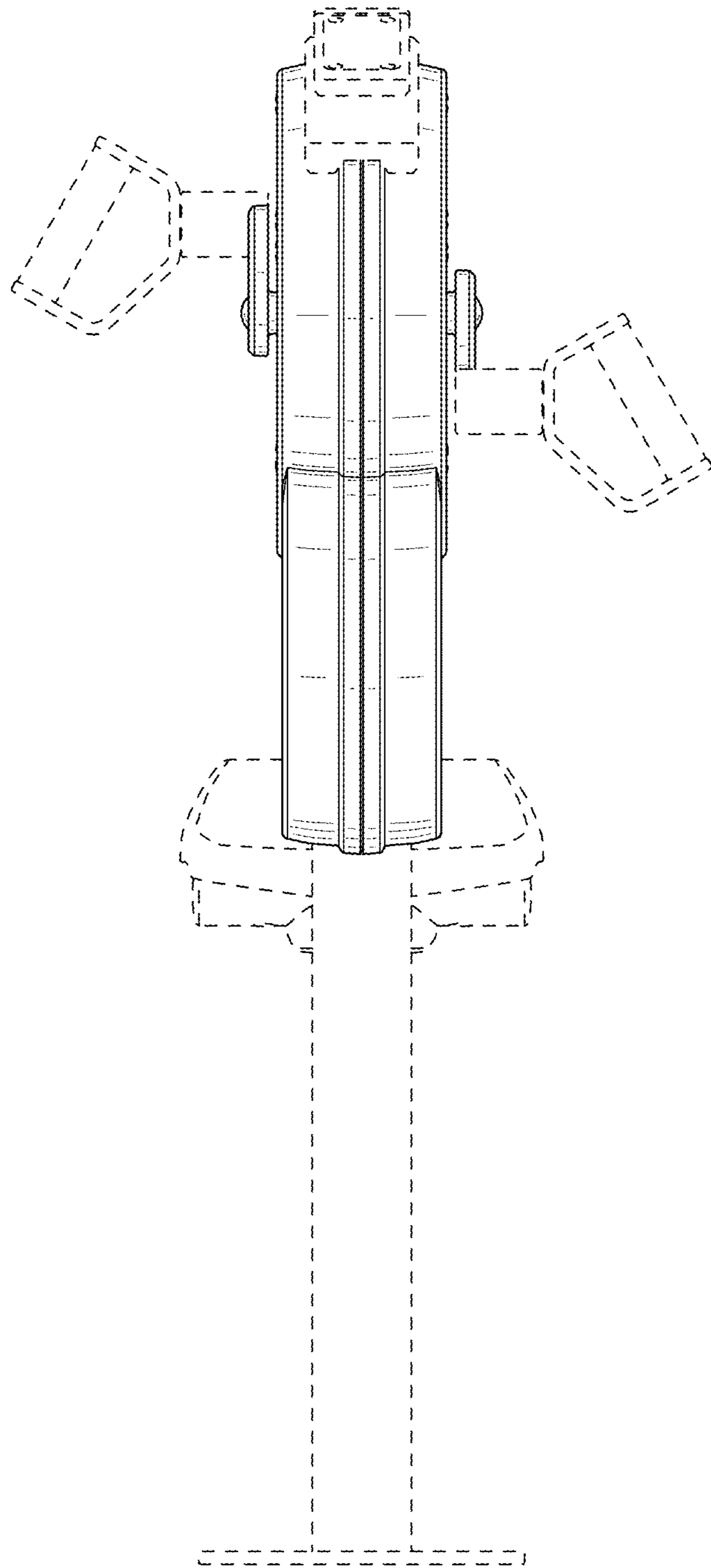


FIG. 16



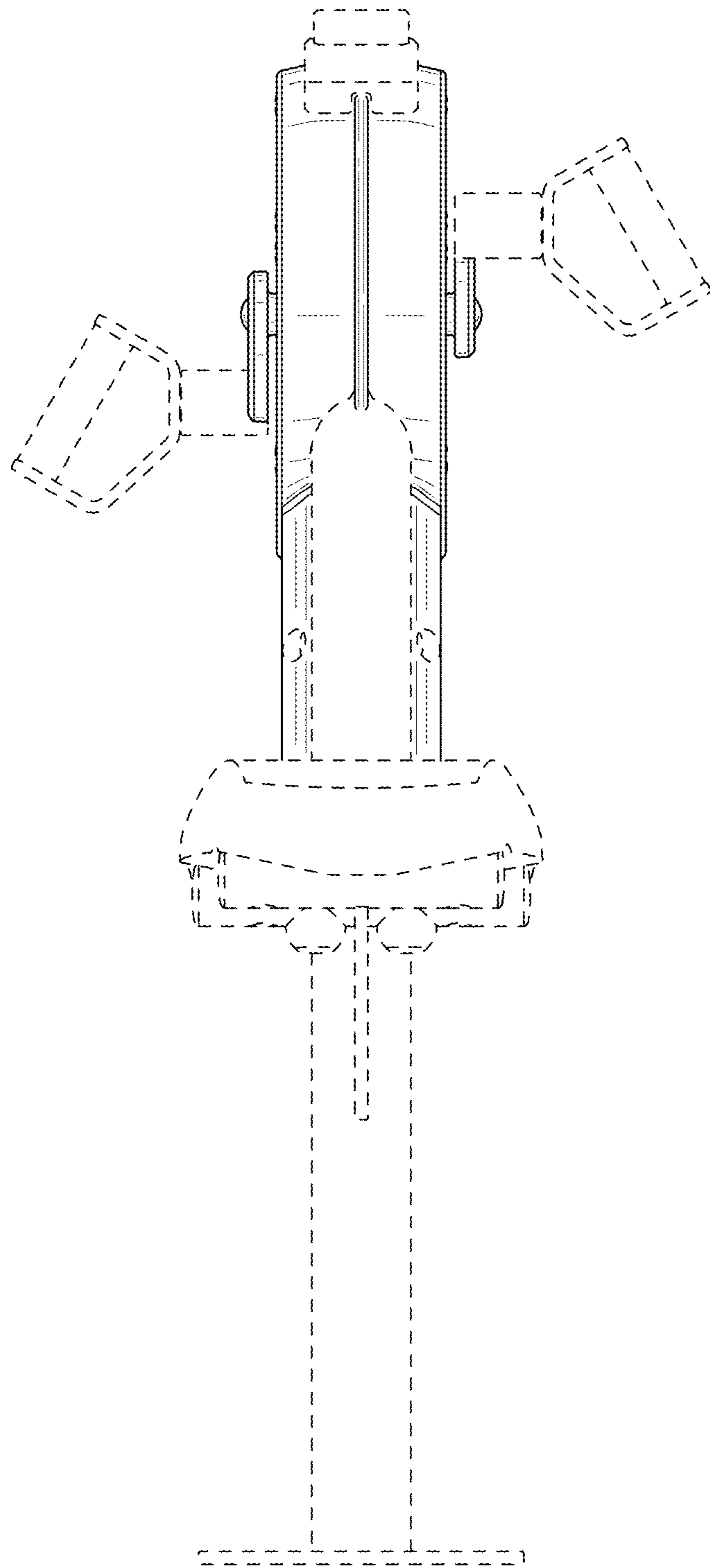


FIG. 17

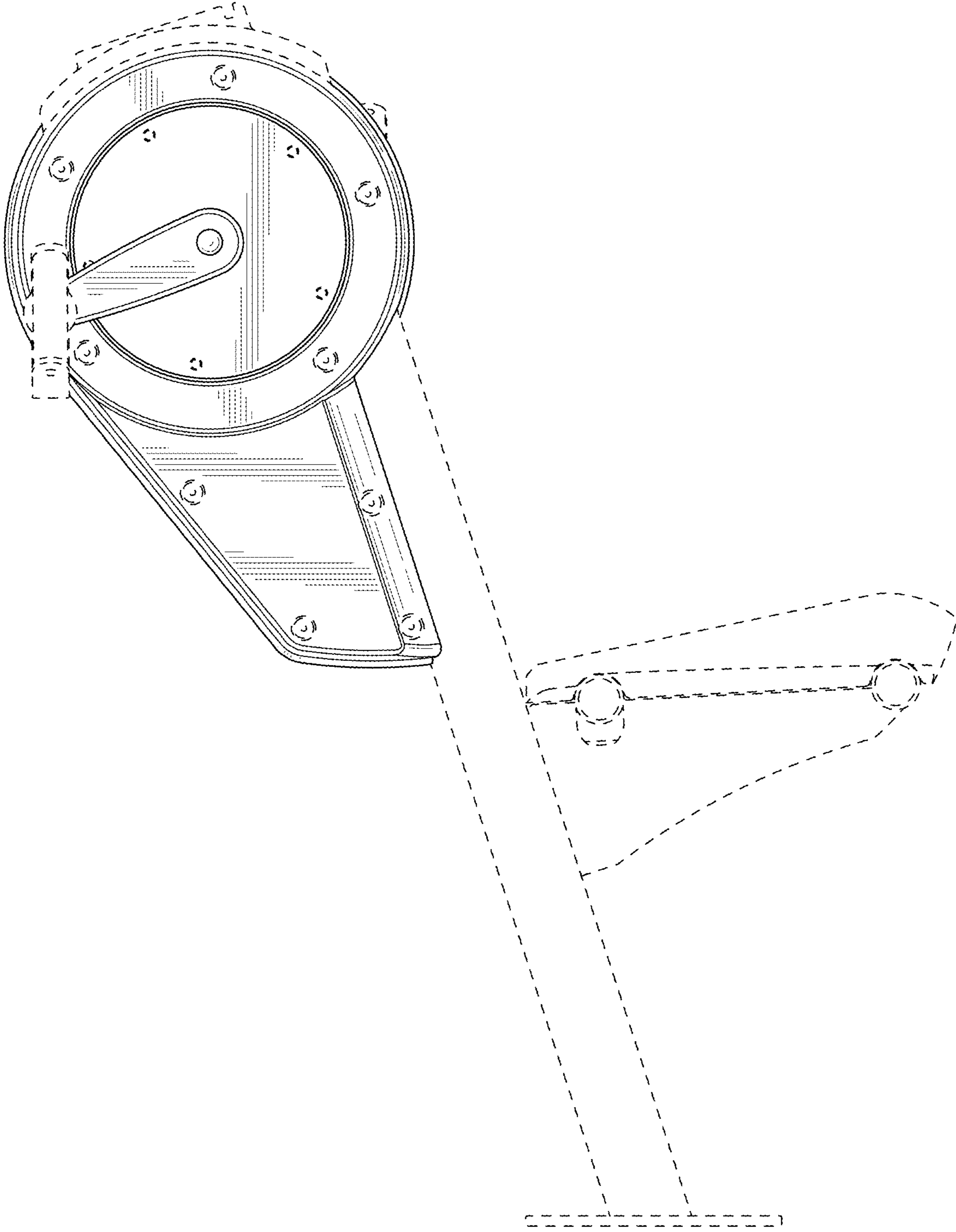


FIG. 18

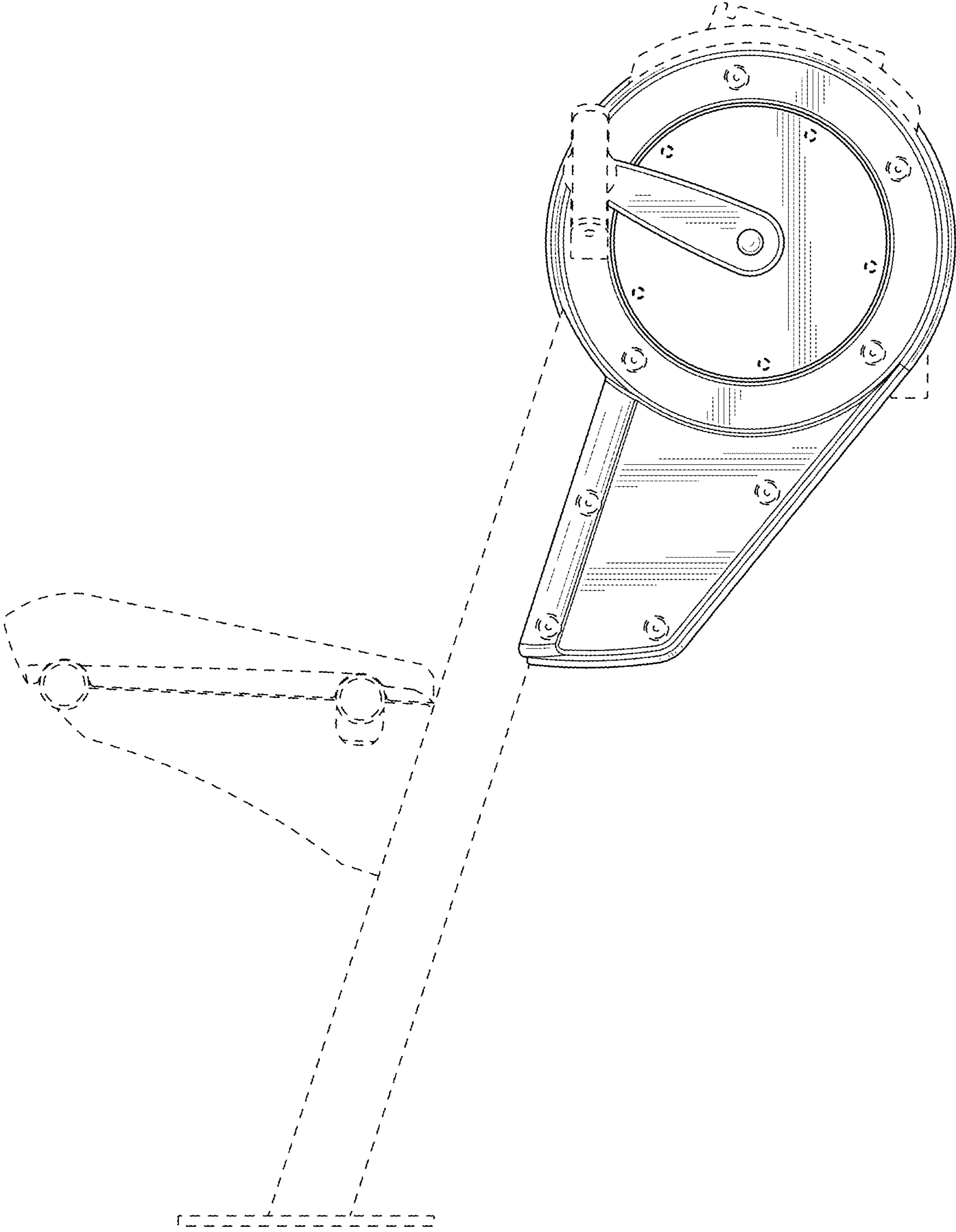


FIG. 19

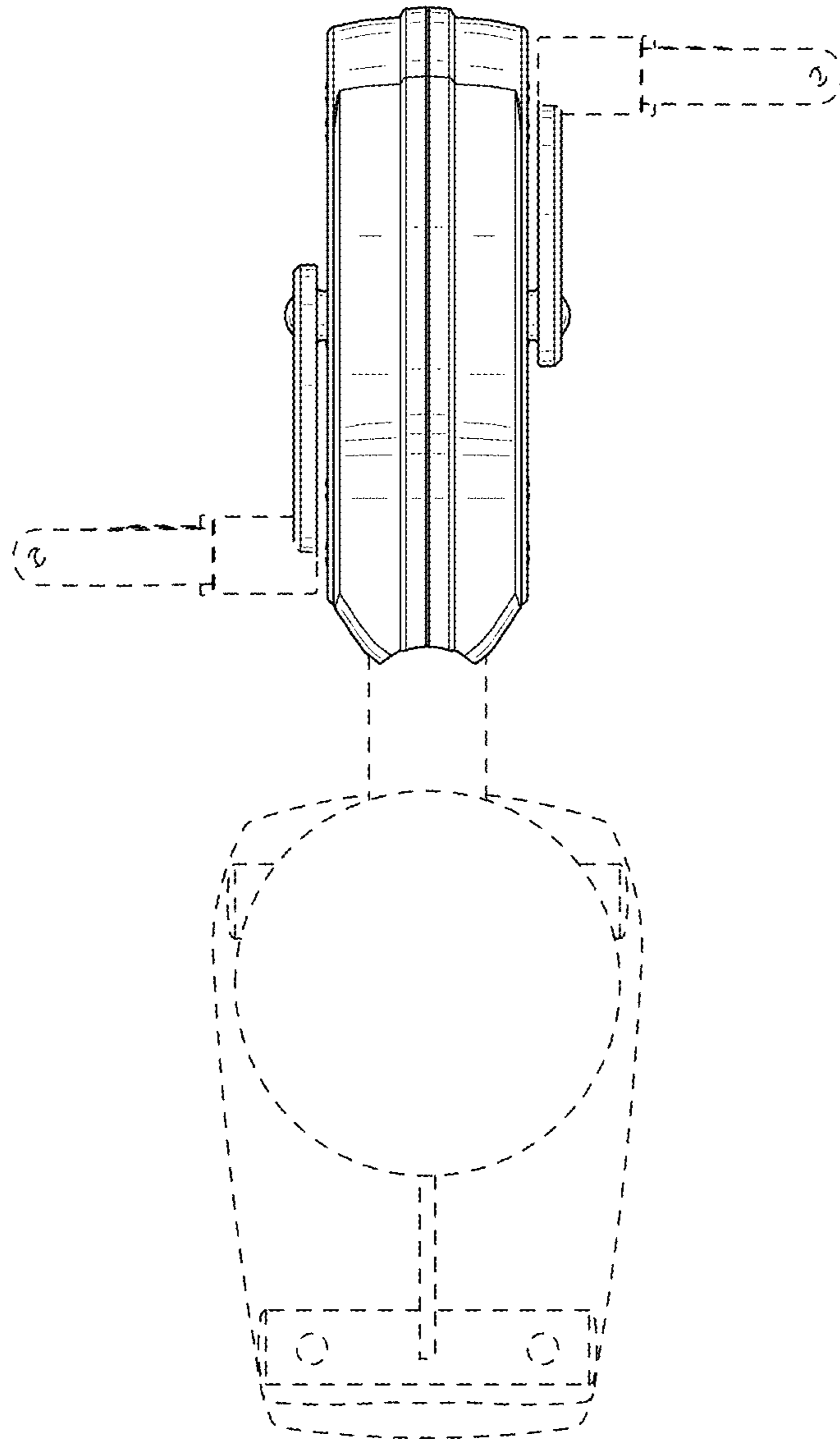


FIG. 20

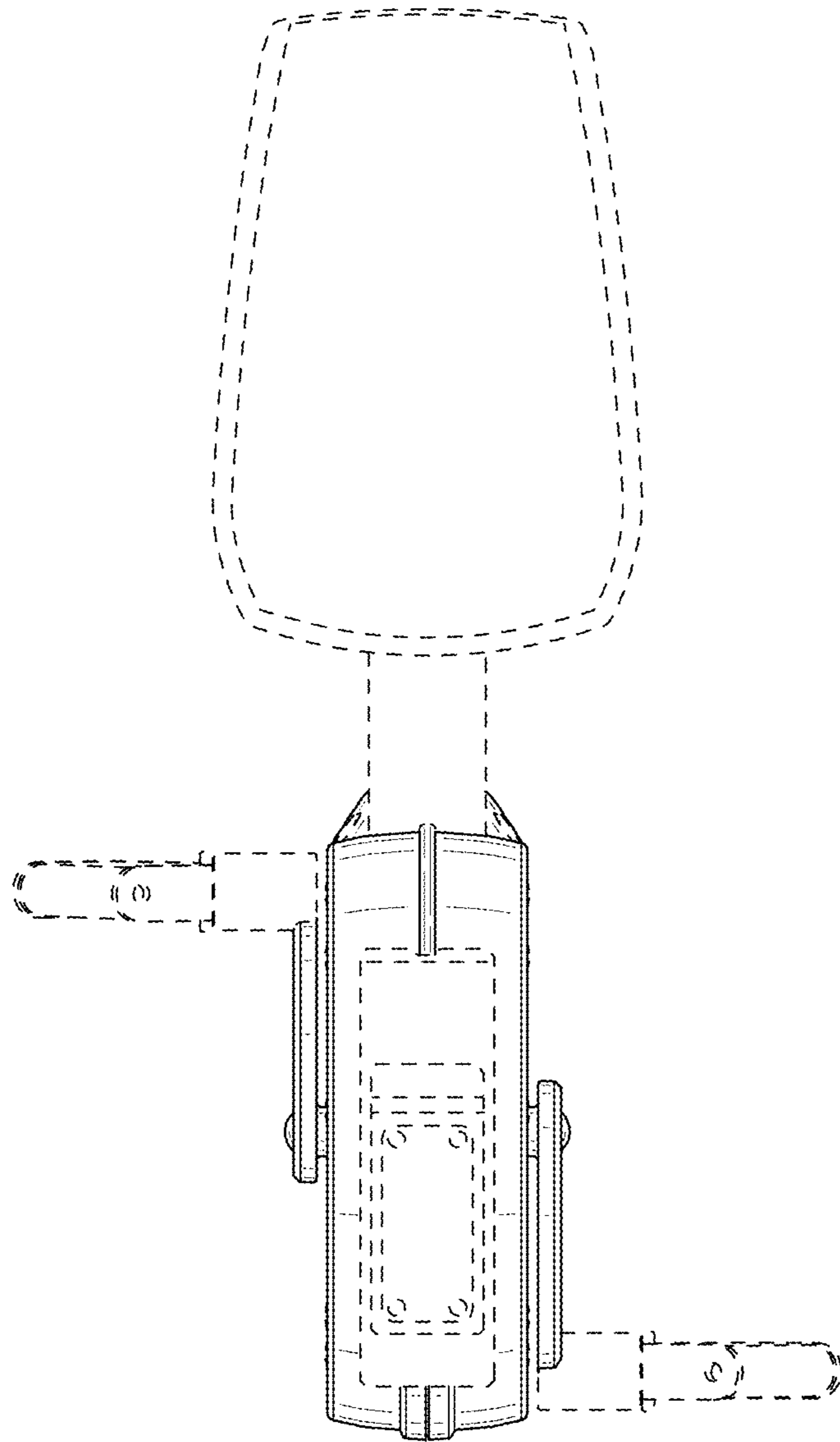


FIG. 21