



US00D900250S

(12) **United States Design Patent** (10) **Patent No.:** **US D900,250 S**
Ewing et al. (45) **Date of Patent:** **** Oct. 27, 2020**

(54) **MODEL VEHICLE AXLE CARRIER**

OTHER PUBLICATIONS

(71) Applicant: **TRAXXAS LP**, McKinney, TX (US)

Axial; Axial SCX10 II; Aug. 2016.

(Continued)

(72) Inventors: **Adam Cole Ewing**, McKinney, TX (US); **Jory Sprowl**, Honey Grove, TX (US); **Otto Karl Allmendinger**, Rowlett, TX (US)

Primary Examiner — Cynthia M. Chin

(74) *Attorney, Agent, or Firm* — Daryl R. Wright; Greg Carr

(73) Assignee: **TRAXXAS LP**, McKinney, TX (US)

(**) Term: **15 Years**

(57) **CLAIM**

(21) Appl. No.: **29/696,545**

We claim the ornamental design for a model vehicle axle carrier, as shown and described.

(22) Filed: **Jun. 28, 2019**

(51) **LOC (12) Cl.** **21-01**

(52) **U.S. Cl.**
USPC **D21/561**

(58) **Field of Classification Search**
USPC D21/533, 548–552, 561, 562; D12/160
CPC A63H 17/00; A63H 17/002; A63H 17/004;
A63H 17/26; A63H 17/262; A63H 17/264; A63H 17/266; A63H 17/34;
A63H 17/36; A63H 17/38; A63H 29/00;
A63H 29/16; A63H 29/165; A63H 29/22;
A63H 29/24

See application file for complete search history.

(56) **References Cited**

U.S. PATENT DOCUMENTS

1,377,905 A	5/1921	Martz
1,455,706 A	5/1923	Bower et al.
2,041,992 A	5/1936	Noel
2,083,085 A	6/1937	Palmer
2,132,545 A	10/1938	Smith
2,547,435 A	4/1951	Bouchard
3,306,077 A	2/1967	Piatti
3,333,654 A	8/1967	Price-Stephens
3,767,221 A	10/1973	Asberg
D242,442 S	11/1976	Garrison
4,509,932 A	4/1985	Weible
4,632,203 A	12/1986	Krude

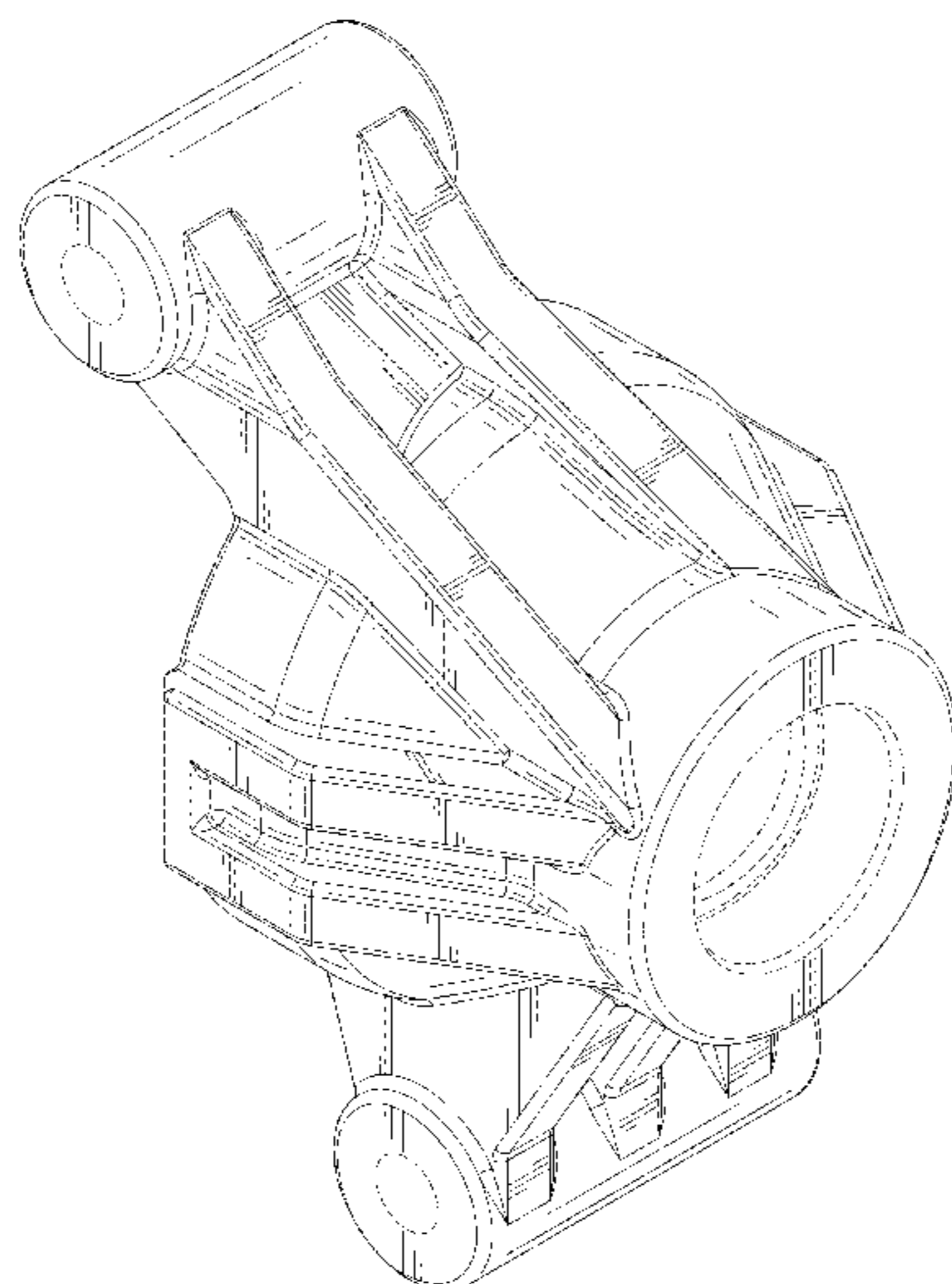
(Continued)

DESCRIPTION

FIG. 1 is an upper, left, front perspective view of a model vehicle axle carrier;
FIG. 2 is a front elevation view thereof;
FIG. 3 is a rear elevation view thereof;
FIG. 4 is a right side elevation view thereof;
FIG. 5 is a left side elevation view thereof;
FIG. 6 is a top plan view thereof;
FIG. 7 is a bottom plan view thereof; and,
FIG. 8 is an upper, left, front perspective environmental use view of the model vehicle axle carrier.

In the drawings, the broken line showing of features of the model vehicle axle carrier illustrate portions of the model vehicle axle carrier that form no part of the claimed design; whereas, the broken line showing of the environmental use view depicts environmental subject matter and is provided for the purposes of illustrating environmental use structure and context and also forms no part of the claimed design. In the drawings, only the left model vehicle axle carrier is shown for the purposes of illustrating the claimed model vehicle axle carrier. The right model vehicle axle carrier is a mirror image of the left model vehicle axle carrier and is included in the scope of the claim for the model vehicle axle carrier.

1 Claim, 8 Drawing Sheets



(56)

References Cited

U.S. PATENT DOCUMENTS

4,690,656 A 9/1987 Friedman et al.
D304,472 S 11/1989 Poulsen
D304,473 S 11/1989 Poulsen
D311,942 S 11/1990 Dideriksen
D332,978 S 2/1993 Tsuchiya
D341,560 S 11/1993 Fabris et al.
5,338,247 A 8/1994 Miles
5,498,208 A 3/1996 Braun
D403,023 S 12/1998 Araki
5,954,586 A 9/1999 Kirson
6,394,878 B1 5/2002 Wang
6,416,136 B1 7/2002 Smith
6,478,709 B1 11/2002 Irwin et al.
6,513,614 B2 2/2003 Knutson et al.
6,773,353 B2 8/2004 Cornay et al.
6,820,707 B1 11/2004 Cantemir
7,144,326 B2 12/2006 Thompson
7,690,660 B2* 4/2010 Dudding B60G 9/003
280/124.116
7,810,604 B2 10/2010 Byers et al.
7,841,923 B2 11/2010 Marzetta et al.
D686,677 S 7/2013 Simonds
D686,952 S* 7/2013 Rau D12/160
8,540,260 B1* 9/2013 Batdorf B60G 9/022
280/124.111
8,574,022 B2 11/2013 Grisolia et al.
8,893,364 B2* 11/2014 Rode F16C 25/06
29/407.05
D822,125 S* 7/2018 Ewing D21/561
D826,340 S* 8/2018 Ewing D21/561
D847,911 S* 5/2019 Wood D21/495
D847,912 S* 5/2019 Wood D21/495

D866,683 S* 11/2019 Ewing D21/561
D868,171 S* 11/2019 Wood D21/495
D869,348 S* 12/2019 Kucharski D12/160
2002/0065021 A1 5/2002 Wang
2002/0160688 A1 10/2002 Rehkemper et al.
2002/0165031 A1 11/2002 Riefe
2004/0005931 A1 1/2004 Wang et al.
2004/0231910 A1 11/2004 Mercier et al.
2005/0206222 A1 9/2005 Swanson
2006/0240897 A1 10/2006 Carlini et al.
2007/0293328 A1 12/2007 Mazziotti
2008/0238015 A1 10/2008 Duddling et al.
2009/0020973 A1* 1/2009 Richardson B60G 3/20
280/124.17
2009/0029821 A1* 1/2009 Martin, III F16H 57/037
475/231
2009/0039700 A1 2/2009 Gradu et al.
2011/0001350 A1 1/2011 Schmitz et al.
2011/0057408 A1 3/2011 Koschinat
2013/0278047 A1 10/2013 Gottschalk
2017/0028517 A1 2/2017 Ferrari
2017/0370465 A1 12/2017 Fast et al.

OTHER PUBLICATIONS

Bomber; Bomber Fabrication Gusset Kit; Aug. 2016.
Wikipedia; Dana 44 Axle; Aug. 2016.
Reid Racing; Reid Racing Axle Products; Aug. 2016.
Currie; Currie RockJock 79 Axle; Aug. 2016.
Xray Model Racing Cars; "T1R Raycer-Instruction Manual;" Xray
Model Racing Cars, Trencin, Slovak Republic, Europe.
Traxxas; "T-Maxx Assemblies-Front Assembly;" Traxxas LP, Plano,
Texas.

* cited by examiner

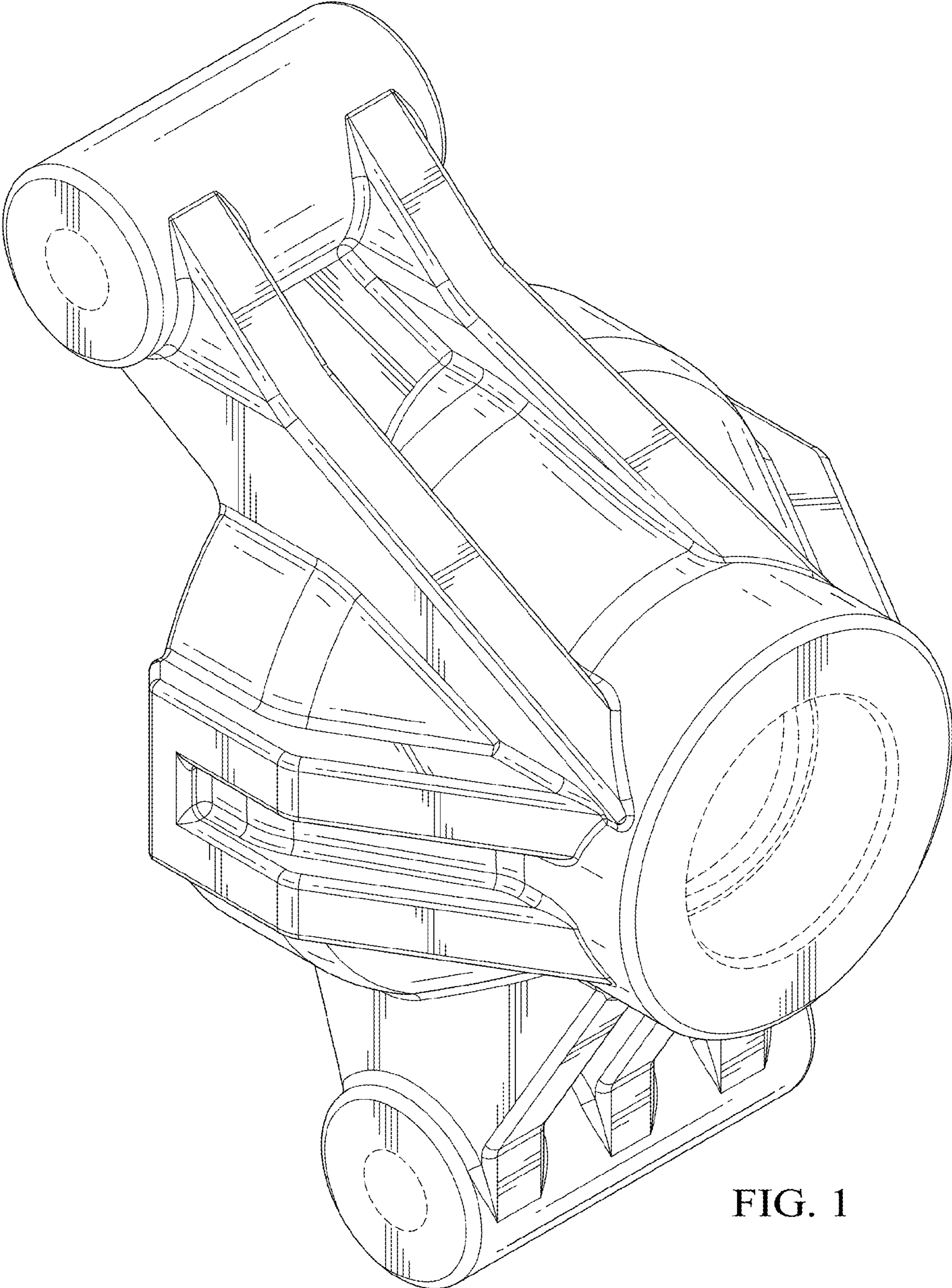


FIG. 1

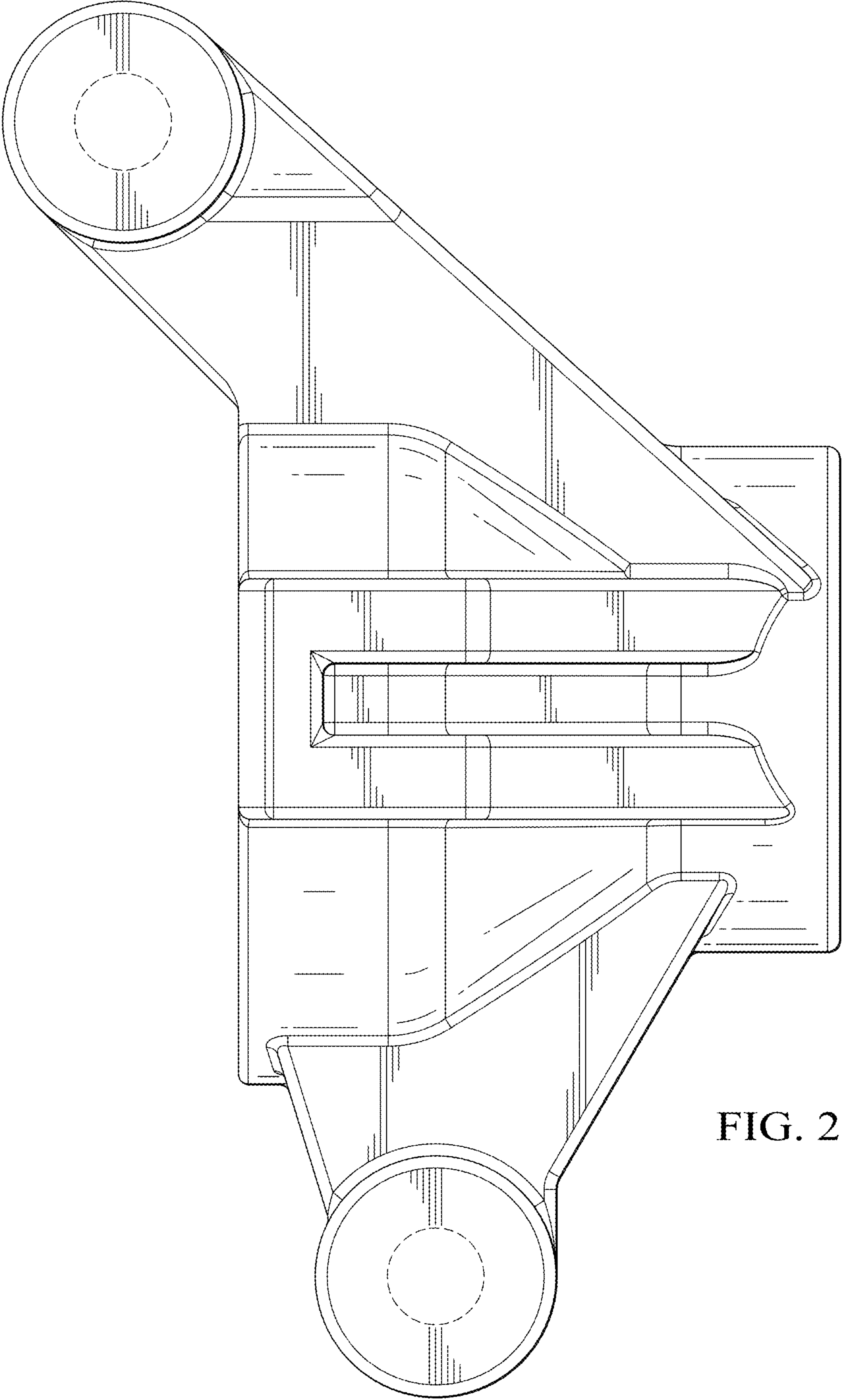


FIG. 2

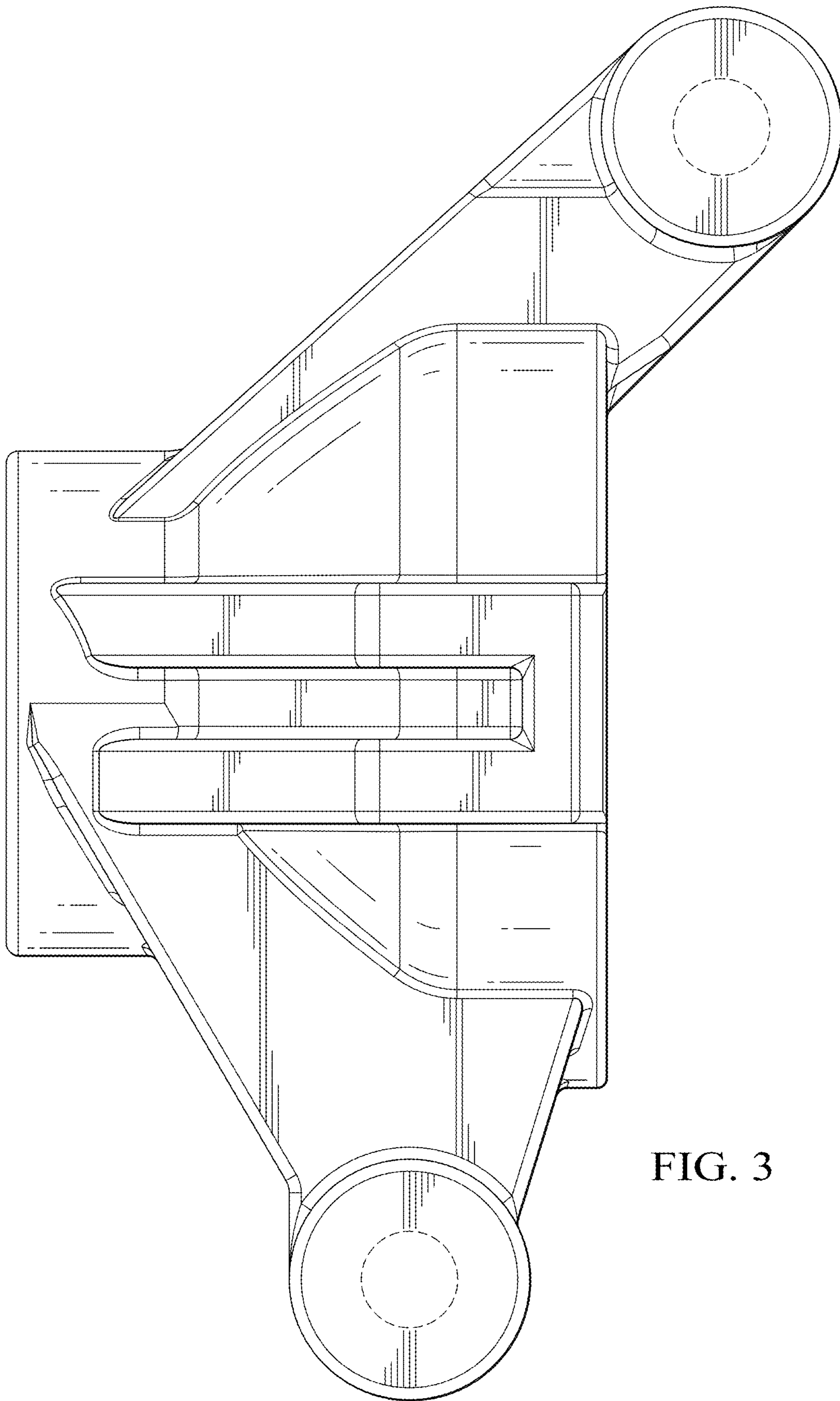


FIG. 3

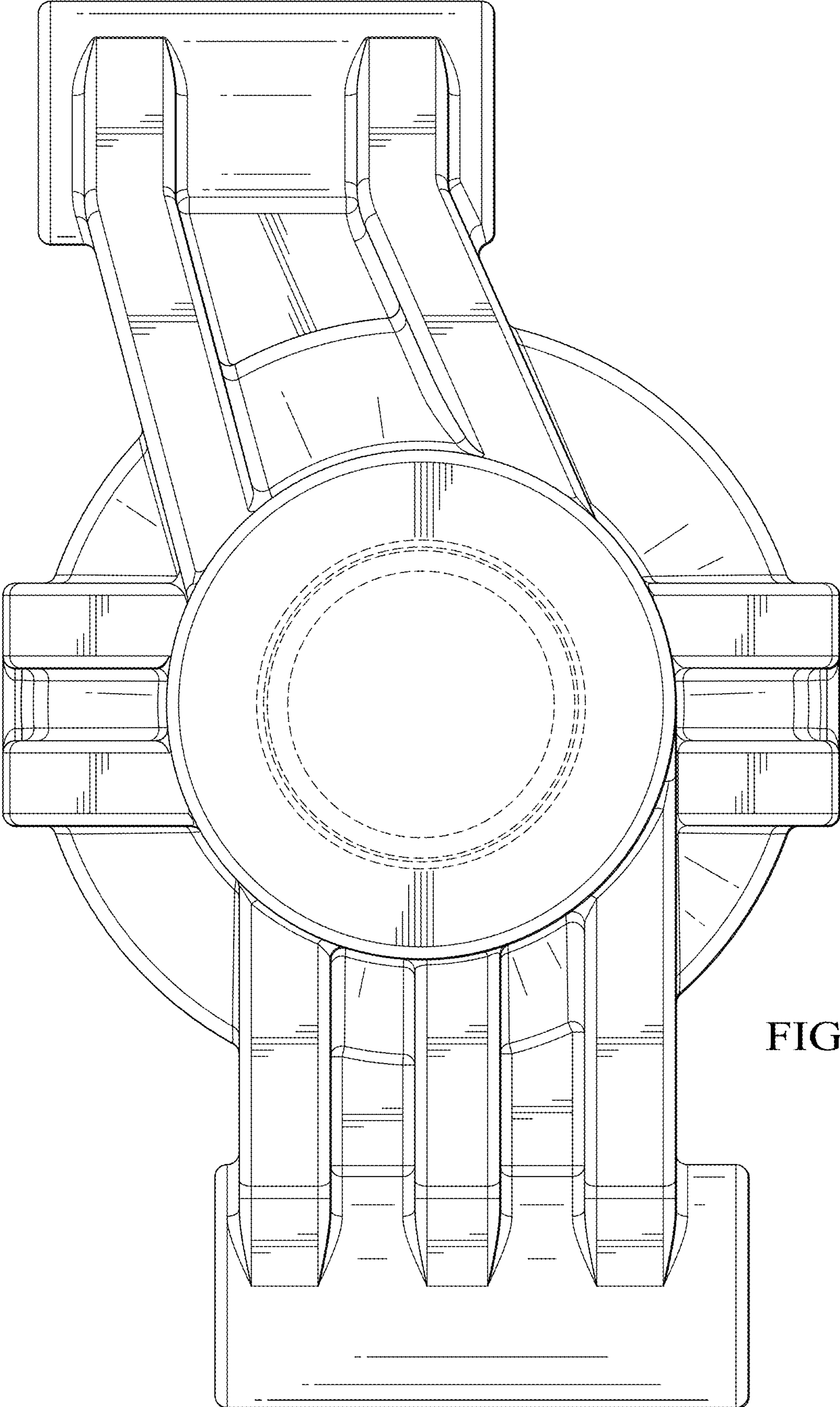


FIG. 4

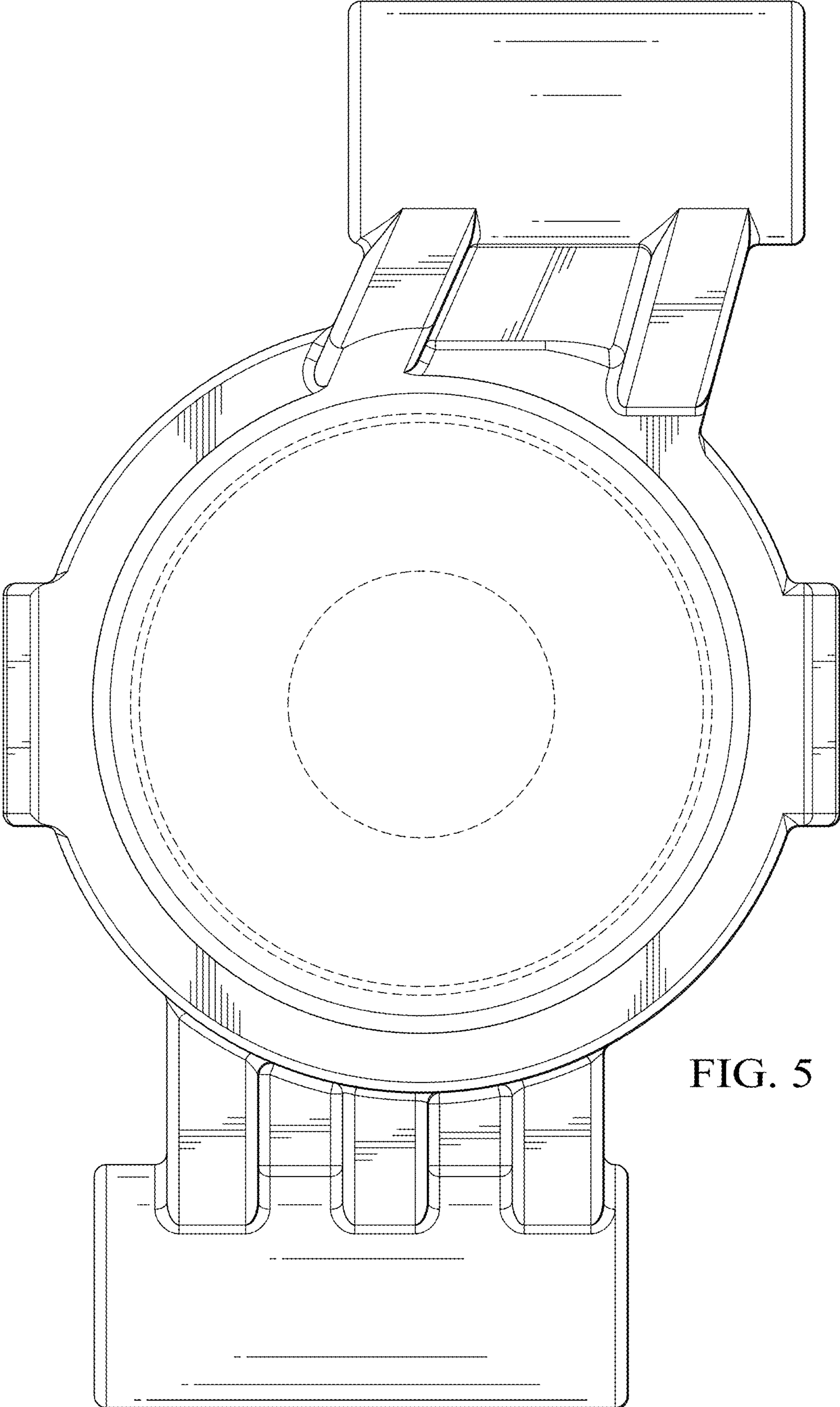


FIG. 5

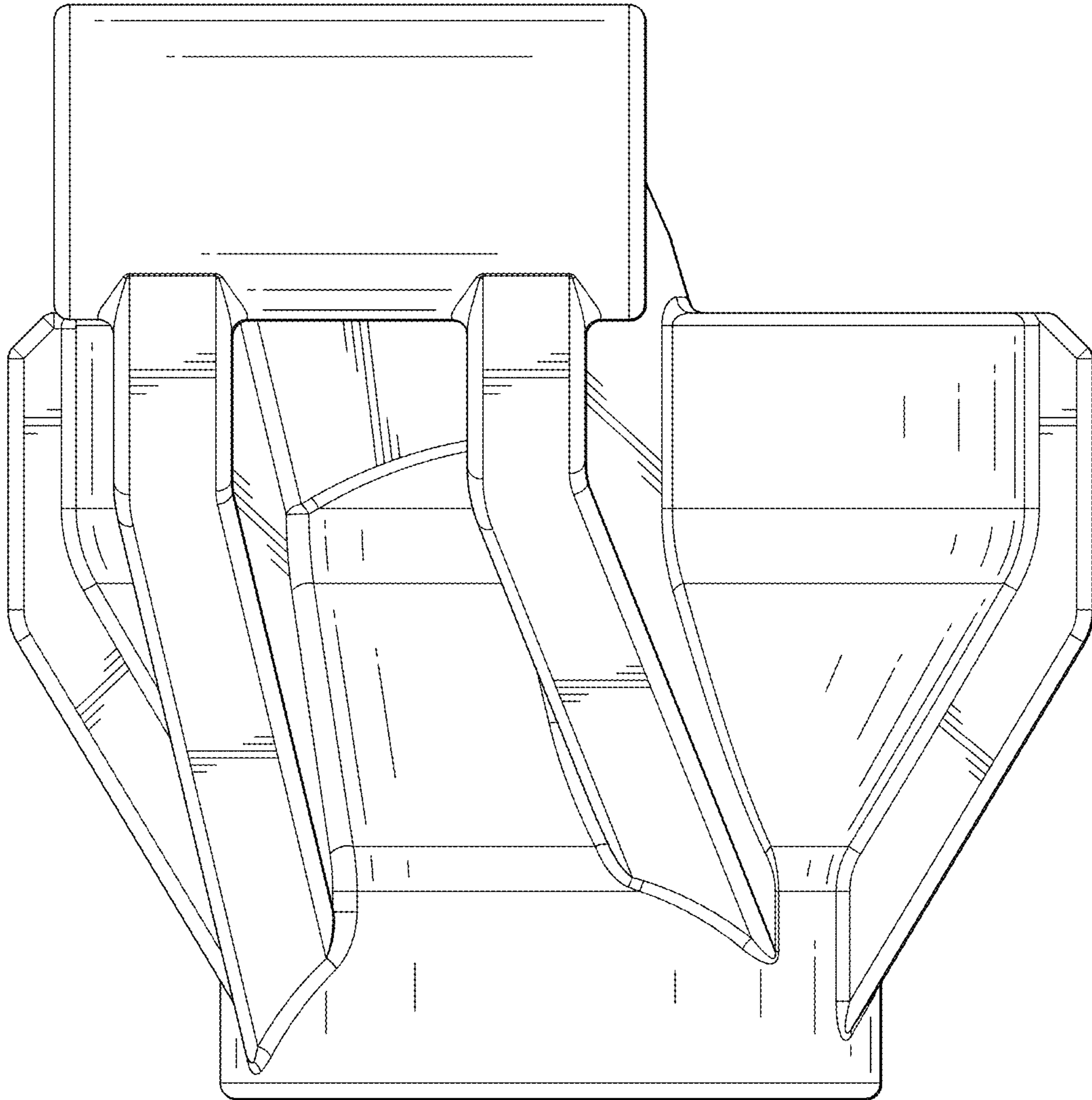


FIG. 6

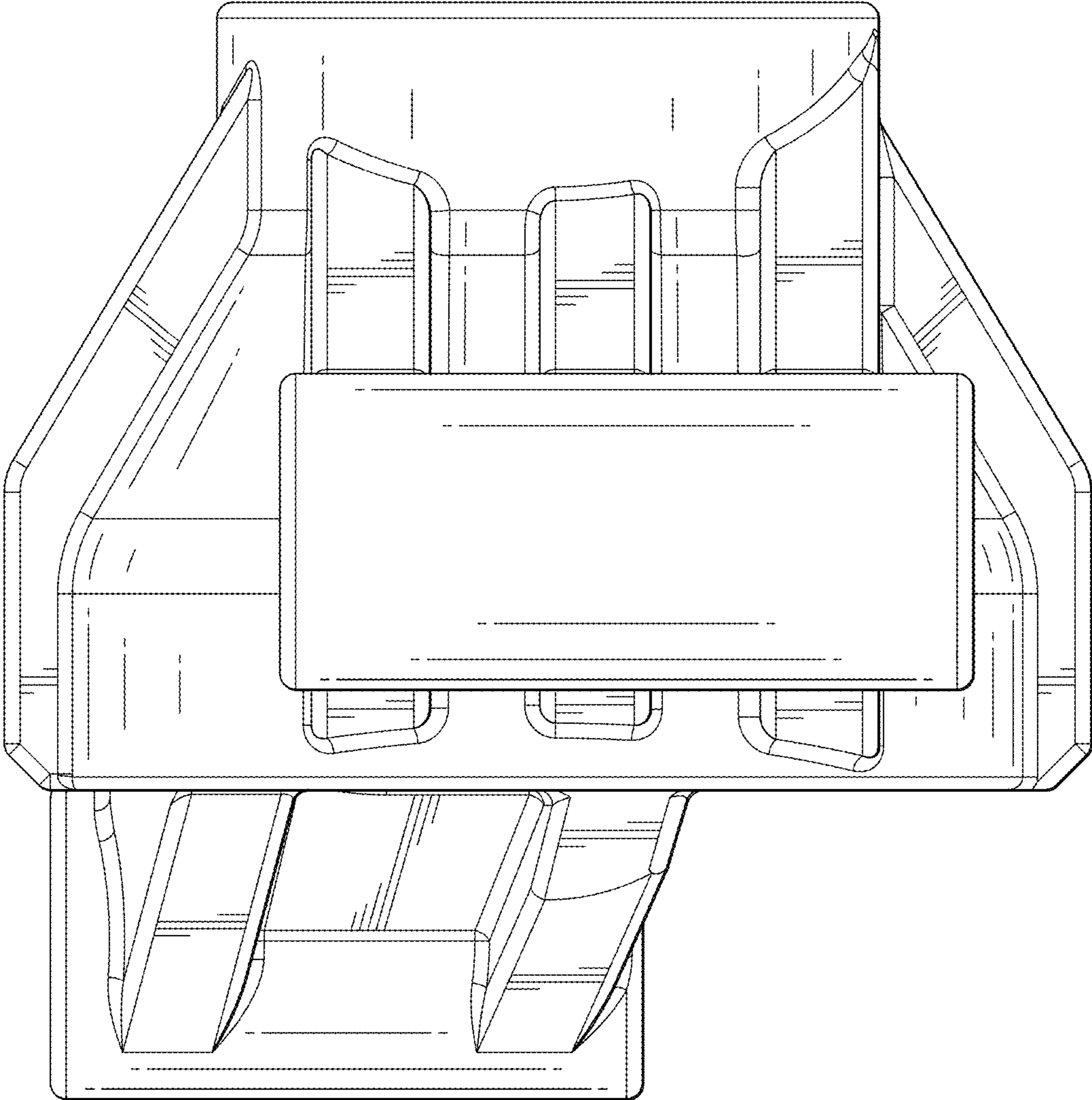


FIG. 7

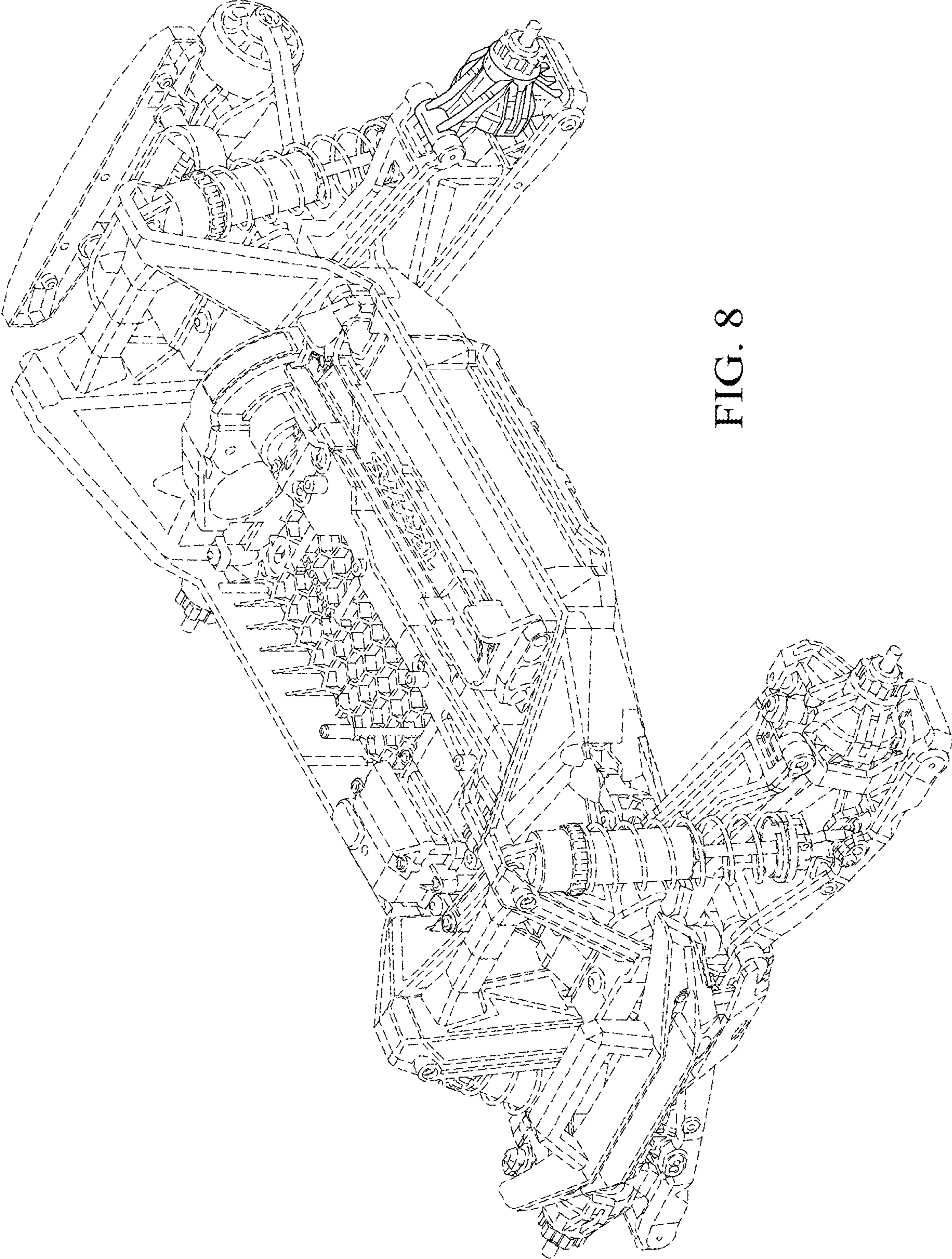


FIG. 8