



US00D900249S

(12) **United States Design Patent**  
**Hwang et al.**

(10) **Patent No.:** **US D900,249 S**

(45) **Date of Patent:** **\*\* Oct. 27, 2020**

- (54) **CONSTRUCTION SET ELEMENT**
- (71) Applicant: **LEGO A/S**, Billund (DK)
- (72) Inventors: **Byeongjun Hwang**, Ansan-si (KR);  
**Kyoungbae Na**, Suwon-si (KR)
- (73) Assignee: **LEGO A/S** (DK)
- (\*\*) Term: **15 Years**
- (21) Appl. No.: **29/693,251**
- (22) Filed: **May 31, 2019**
- (51) **LOC (12) Cl.** ..... **21-01**
- (52) **U.S. Cl.**  
USPC ..... **D21/505**
- (58) **Field of Classification Search**  
USPC ..... D21/386, 389, 404, 468, 470, 471,  
D21/484-505  
CPC ..... A63H 33/00; A63H 33/04; A63H 33/044;  
A63H 33/06; A63H 33/08; A63H 33/084;  
A63H 33/086; A63H 33/088; A63H  
33/10; A63H 33/12; A63H 33/105; A63H  
33/108; A63H 3/00; A63H 3/16; A63H  
3/46; E04C 1/00; E04C 1/40; E04B 2/14;  
E04B 2/16; E04B 2/18  
See application file for complete search history.

- 7,156,392 B2 \* 1/2007 Plein ..... A63F 9/1288  
273/156
- D669,759 S \* 10/2012 Castilleja ..... D8/354
- D681,421 S \* 5/2013 Bucci ..... D8/354
- D849,157 S \* 5/2019 Jensen ..... D21/504
- D866,681 S \* 11/2019 Hwang ..... D21/505
- D866,682 S \* 11/2019 Hwang ..... D21/505

**OTHER PUBLICATIONS**

Bricklink, "Tile, Modified 2x2 Triangular, Item No: 3578", added to website on Mar. 13, 2018. Accessed online on Sep. 24, 2018, at <<https://www.bricklink.com/v2/catalog/catalogitem.page?P=35787&name=Tile,%20Modified%20x%20x%20Triangular&category=%5BTile,%20Modified%5D#T=C>>.

\* cited by examiner

*Primary Examiner* — Cynthia M. Chin

(74) *Attorney, Agent, or Firm* — Day Pitney LLP

(57) **CLAIM**

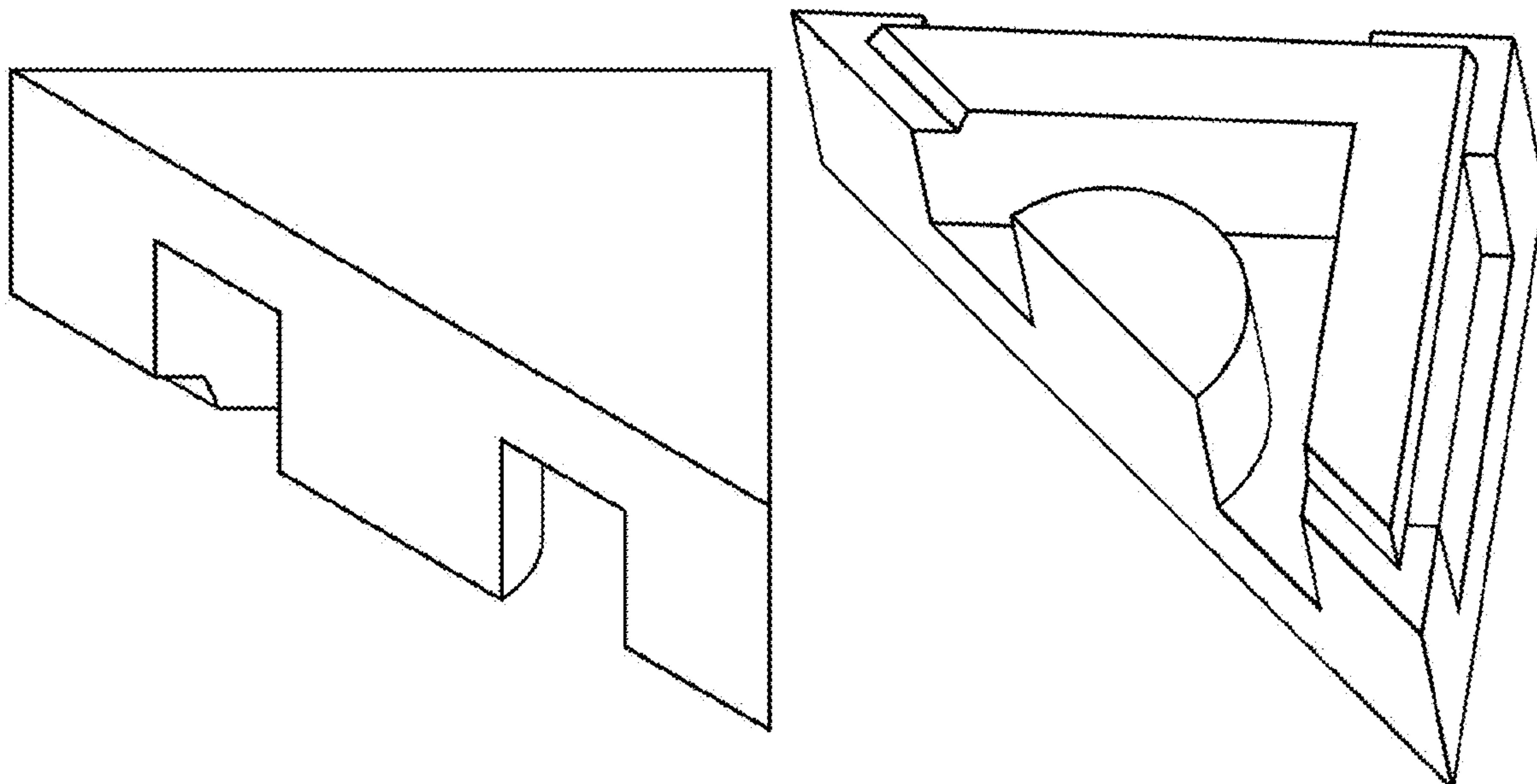
We claim the ornamental design for a construction set element, as shown and described.

**DESCRIPTION**

FIG. 1 is a top, front perspective view of a construction set element, showing our new design;  
FIG. 2 is a bottom, front perspective view thereof;  
FIG. 3 is a top, left perspective view thereof.  
FIG. 4 is a bottom, left perspective view thereof.  
FIG. 5 is an enlarged front elevational view thereof;  
FIG. 6 is an enlarged rear elevational view thereof;  
FIG. 7 is an enlarged left side elevational view thereof;  
FIG. 8 is an enlarged right side elevational view thereof;  
FIG. 9 is a top plan view thereof; and,  
FIG. 10 is a bottom plan view thereof.

**1 Claim, 7 Drawing Sheets**

- (56) **References Cited**  
U.S. PATENT DOCUMENTS  
D234,706 S \* 4/1975 Harvey ..... D21/489  
4,385,467 A \* 5/1983 Samuels ..... A63F 9/1011  
273/157 R  
D327,511 S \* 6/1992 Castillo ..... D21/386  
D350,791 S \* 9/1994 Refsing ..... D21/504  
D380,787 S \* 7/1997 Gabriel ..... D21/489  
D380,790 S \* 7/1997 Gabriel ..... D21/489  
6,186,856 B1 \* 2/2001 Chen ..... A63H 33/04  
446/117



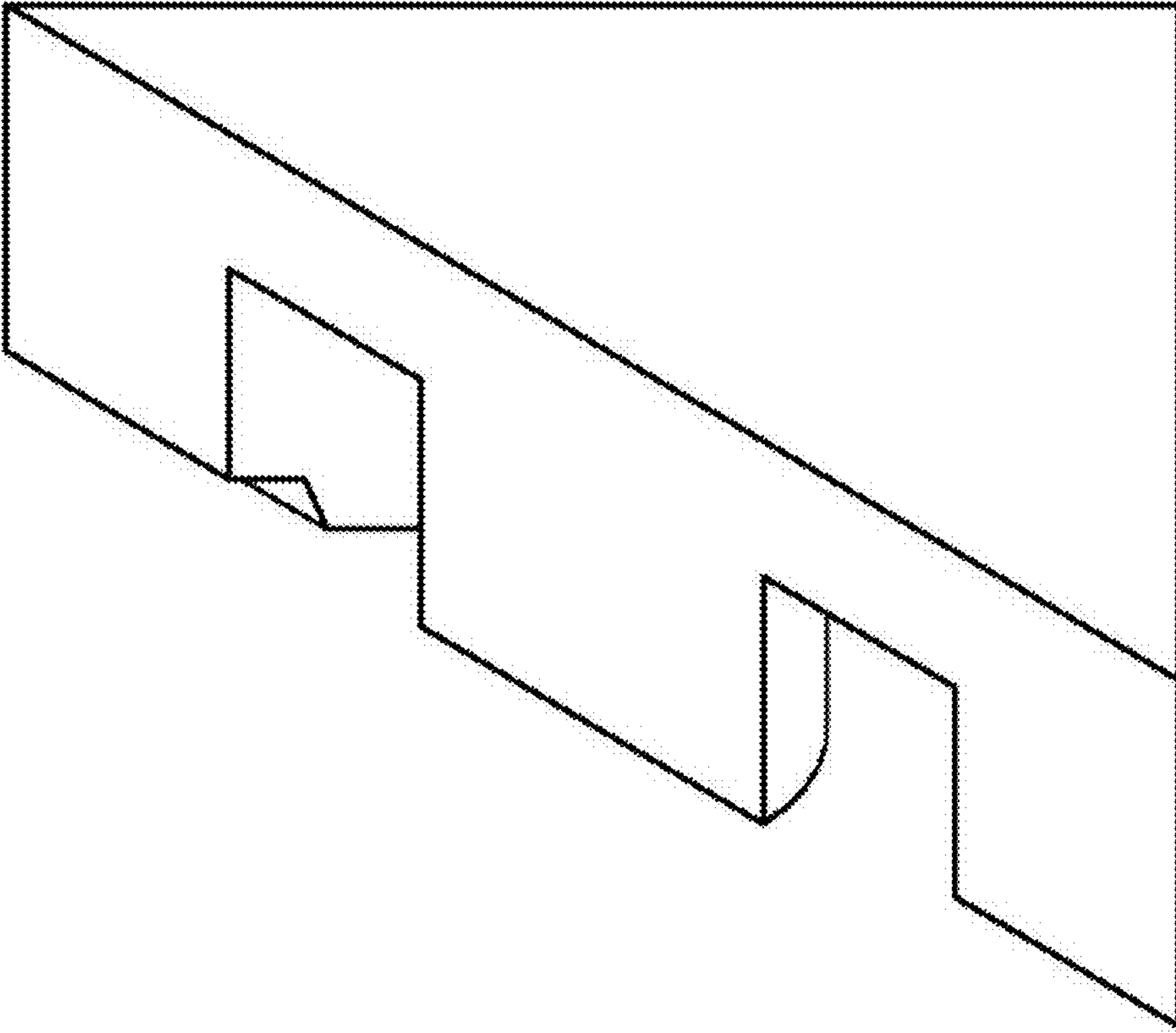


FIG. 1

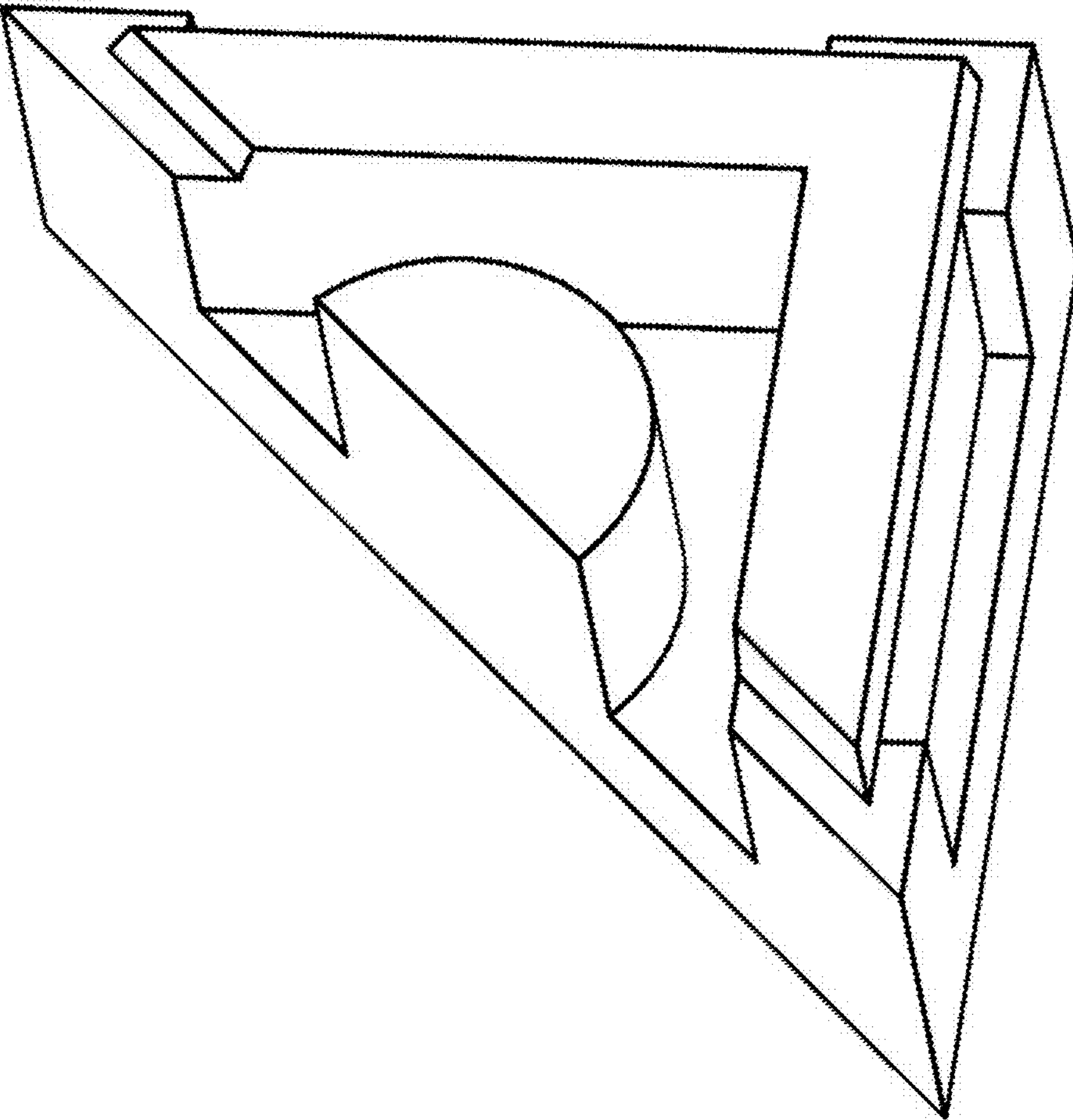
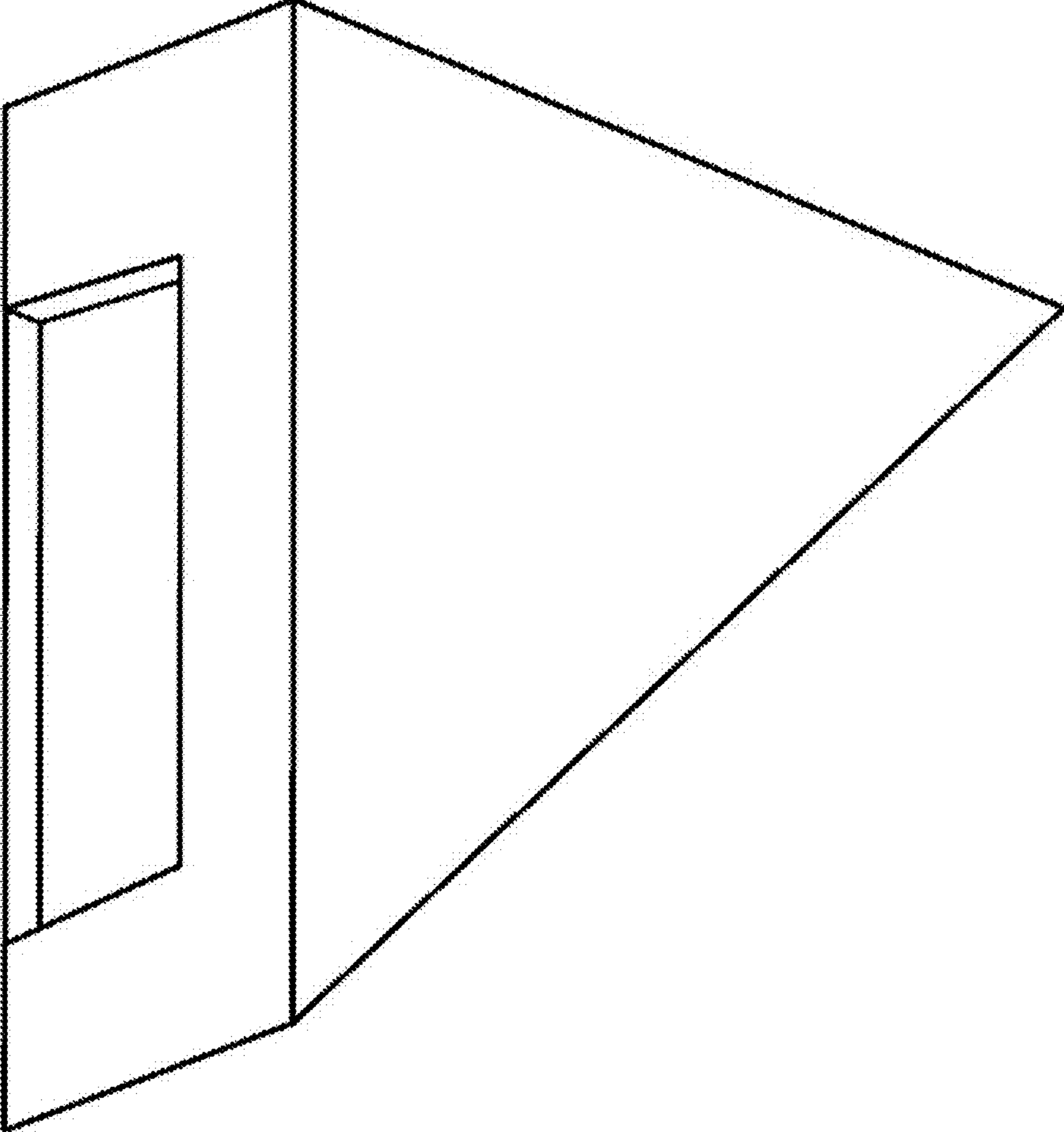


FIG. 2



**FIG. 3**

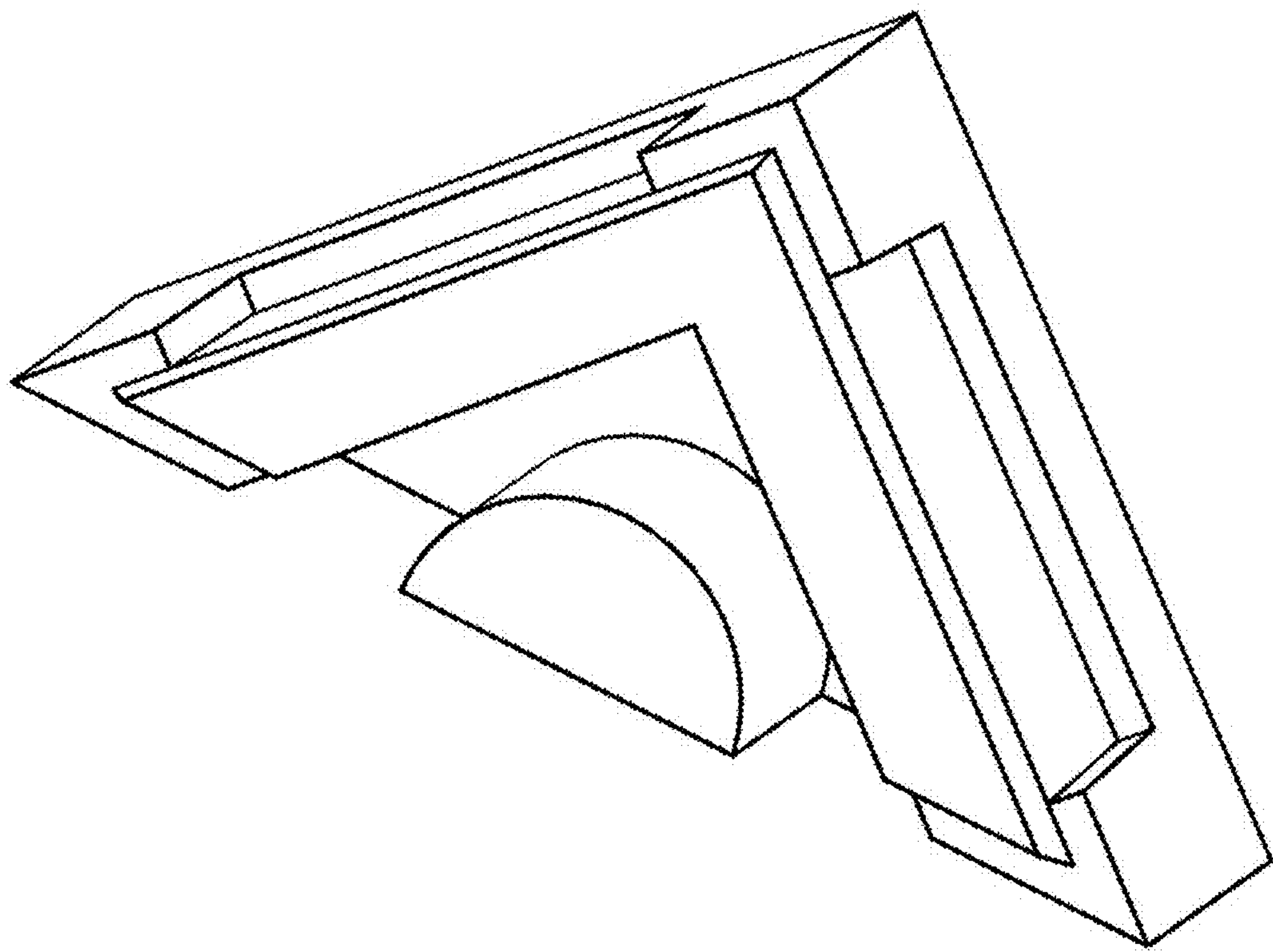


FIG. 4



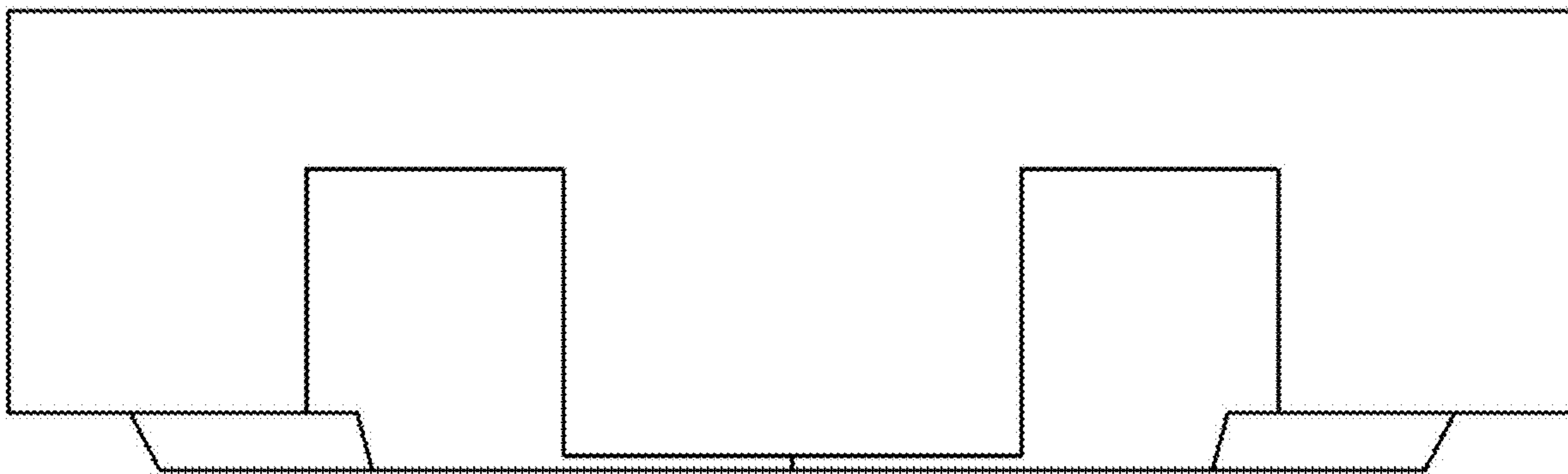


FIG. 5

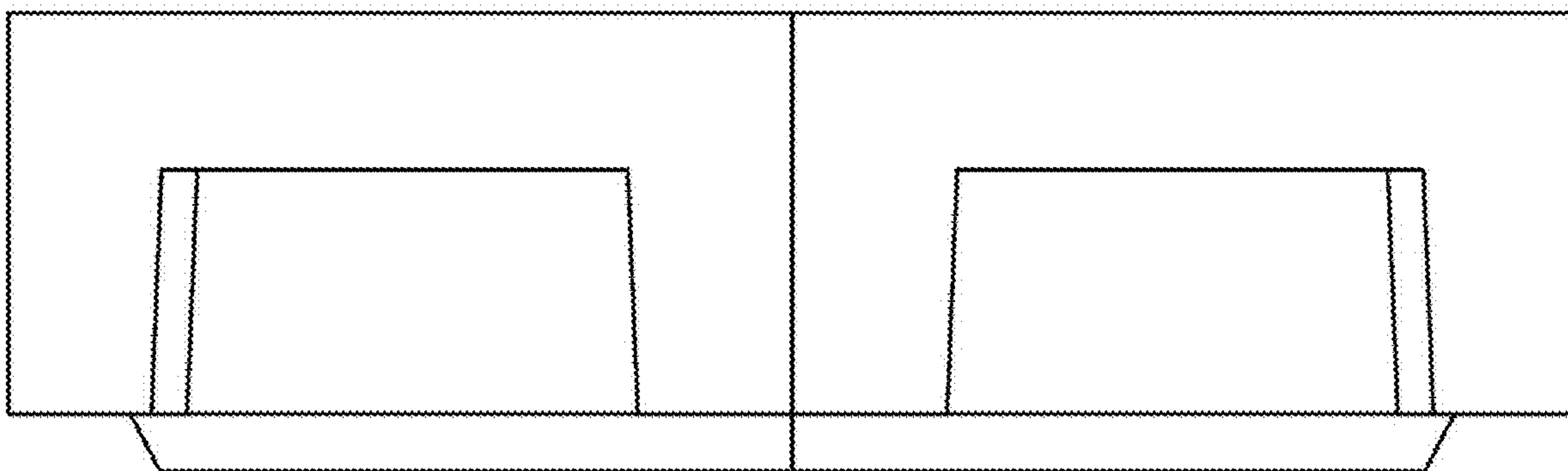


FIG. 6

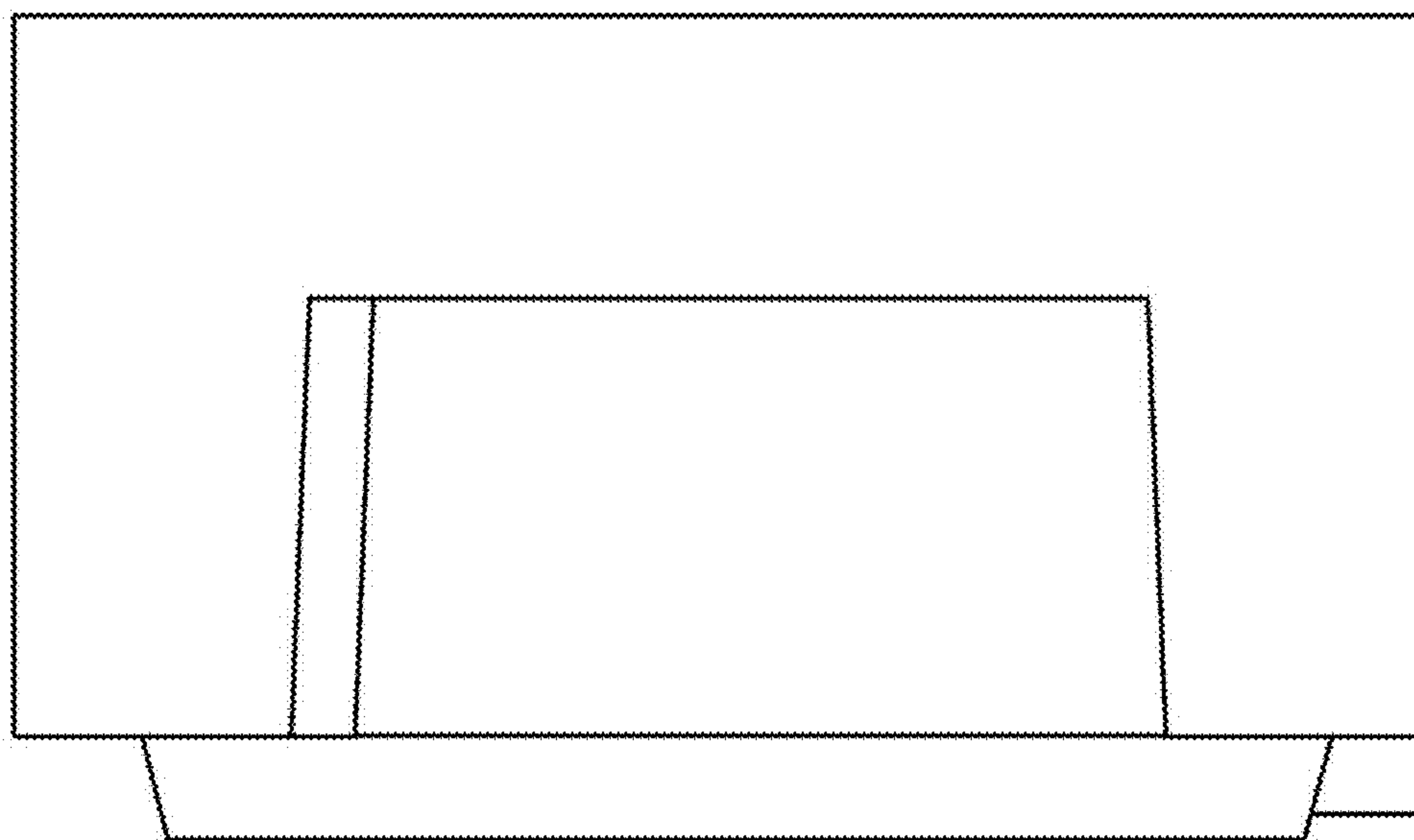


FIG. 7

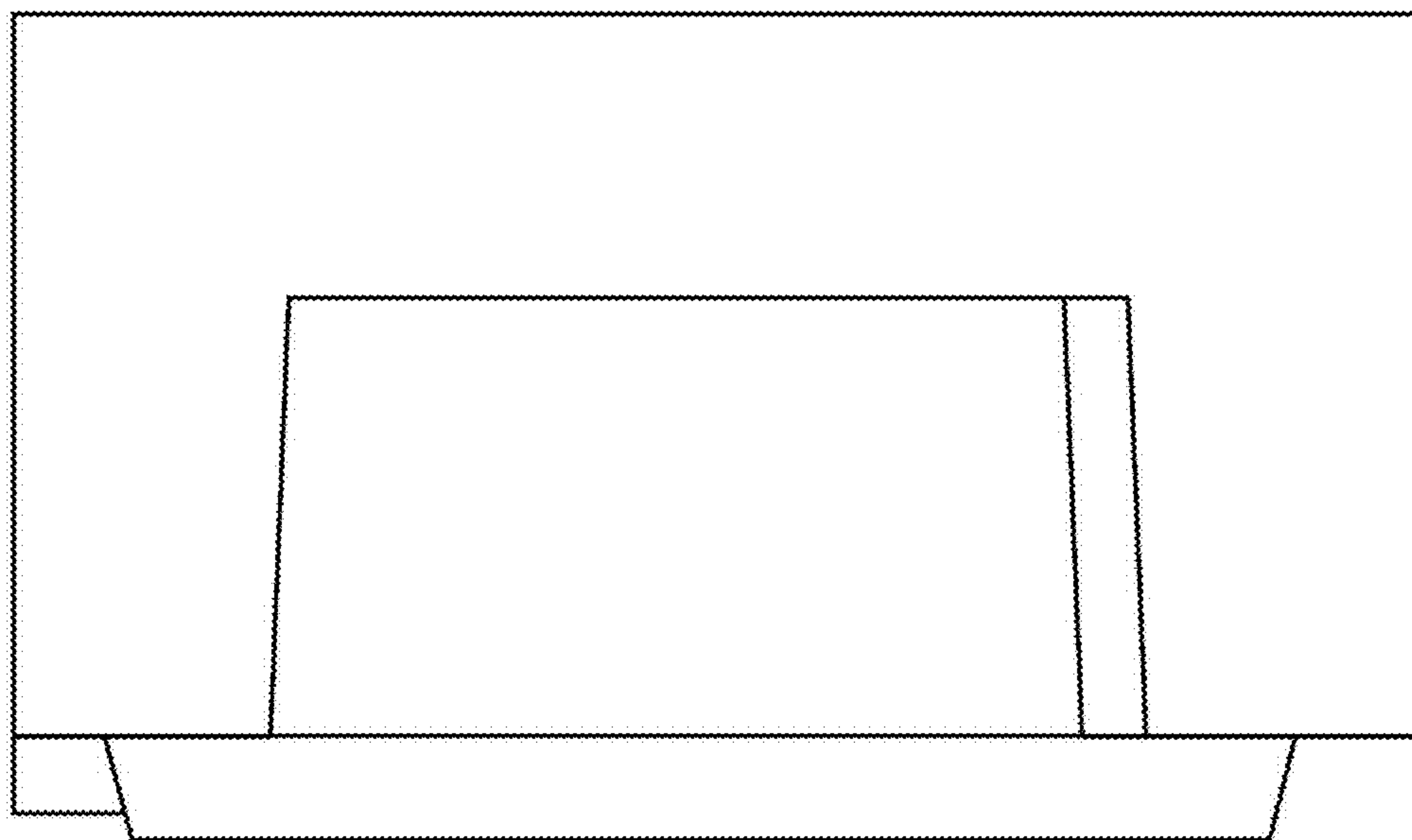
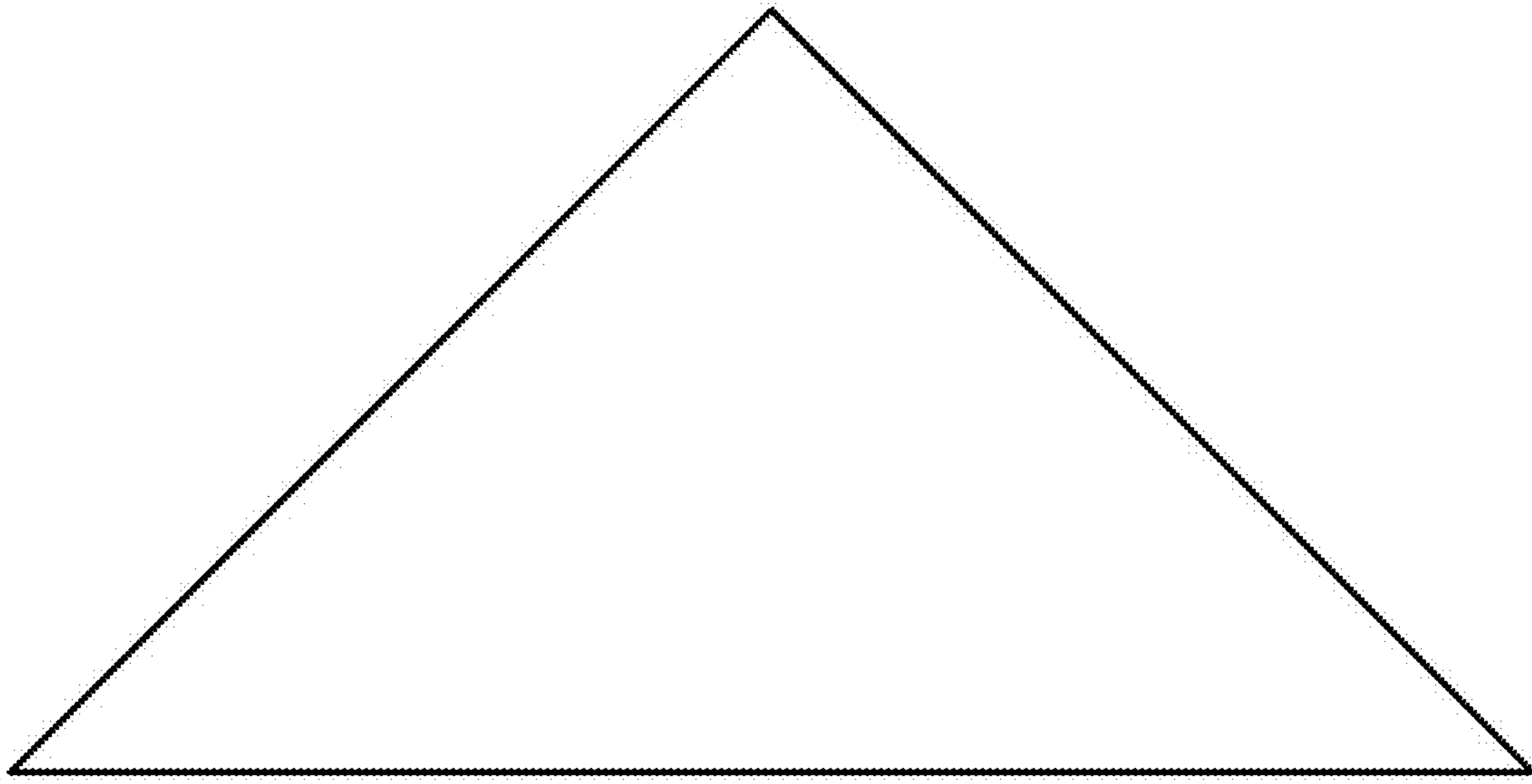
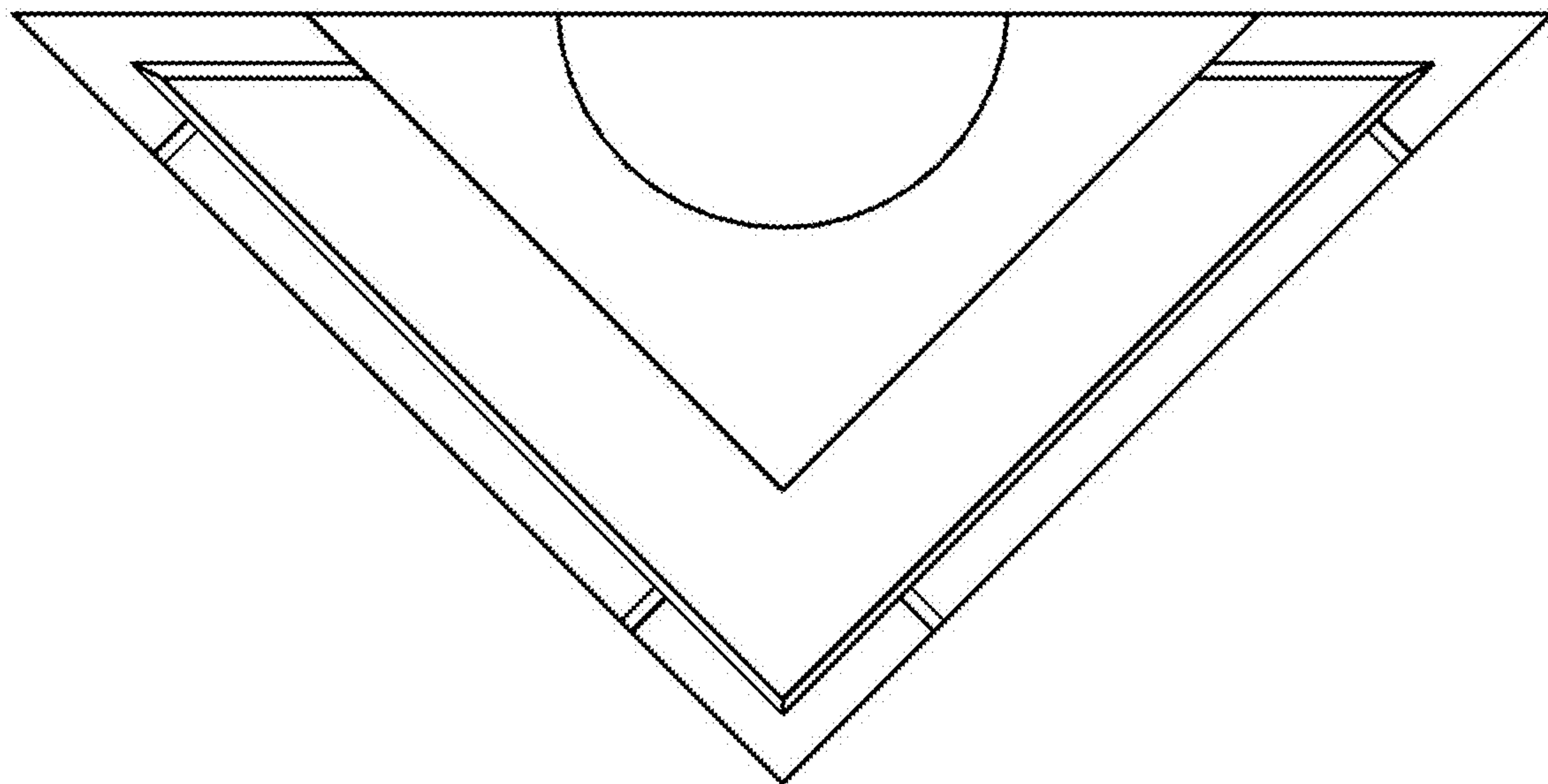


FIG. 8



**FIG. 9**



**FIG. 10**