



US00D900248S

(12) **United States Design Patent**
Hwang et al.

(10) **Patent No.:** **US D900,248 S**

(45) **Date of Patent:** **** Oct. 27, 2020**

- (54) **CONSTRUCTION SET ELEMENT**
- (71) Applicant: **LEGO A/S**, Billund (DK)
- (72) Inventors: **Byeongjun Hwang**, Ansan-si (KR);
Kyoungebae Na, Suwon-si (KR)
- (73) Assignee: **LEGO A/S** (DK)
- (**) Term: **15 Years**
- (21) Appl. No.: **29/693,286**
- (22) Filed: **May 31, 2019**
- (51) **LOC (12) Cl.** **21-01**
- (52) **U.S. Cl.**
USPC **D21/501**
- (58) **Field of Classification Search**
USPC D21/468, 470, 471, 478, 479, 484-505
CPC A63H 33/04; A63H 33/044; A63H 33/06;
A63H 33/062; A63H 33/10; A63H
33/101; A63H 33/108
See application file for complete search history.

(56) **References Cited**

U.S. PATENT DOCUMENTS

- D261,785 S * 11/1981 Nakao D21/502
- D342,555 S * 12/1993 Berggreen D21/501

- D351,005 S * 9/1994 Hojlund D21/501
- D614,707 S * 4/2010 Ryaa D21/501
- D639,870 S * 6/2011 Madsen D21/494
- D740,893 S * 10/2015 Simonds D21/499
- D792,521 S * 7/2017 Laris D21/499
- D806,181 S * 12/2017 Johannsen D21/500
- D807,440 S * 1/2018 Hu D21/501
- D807,969 S * 1/2018 Hu D21/501

* cited by examiner

Primary Examiner — Cynthia M. Chin

(74) *Attorney, Agent, or Firm* — Day Pitney LLP

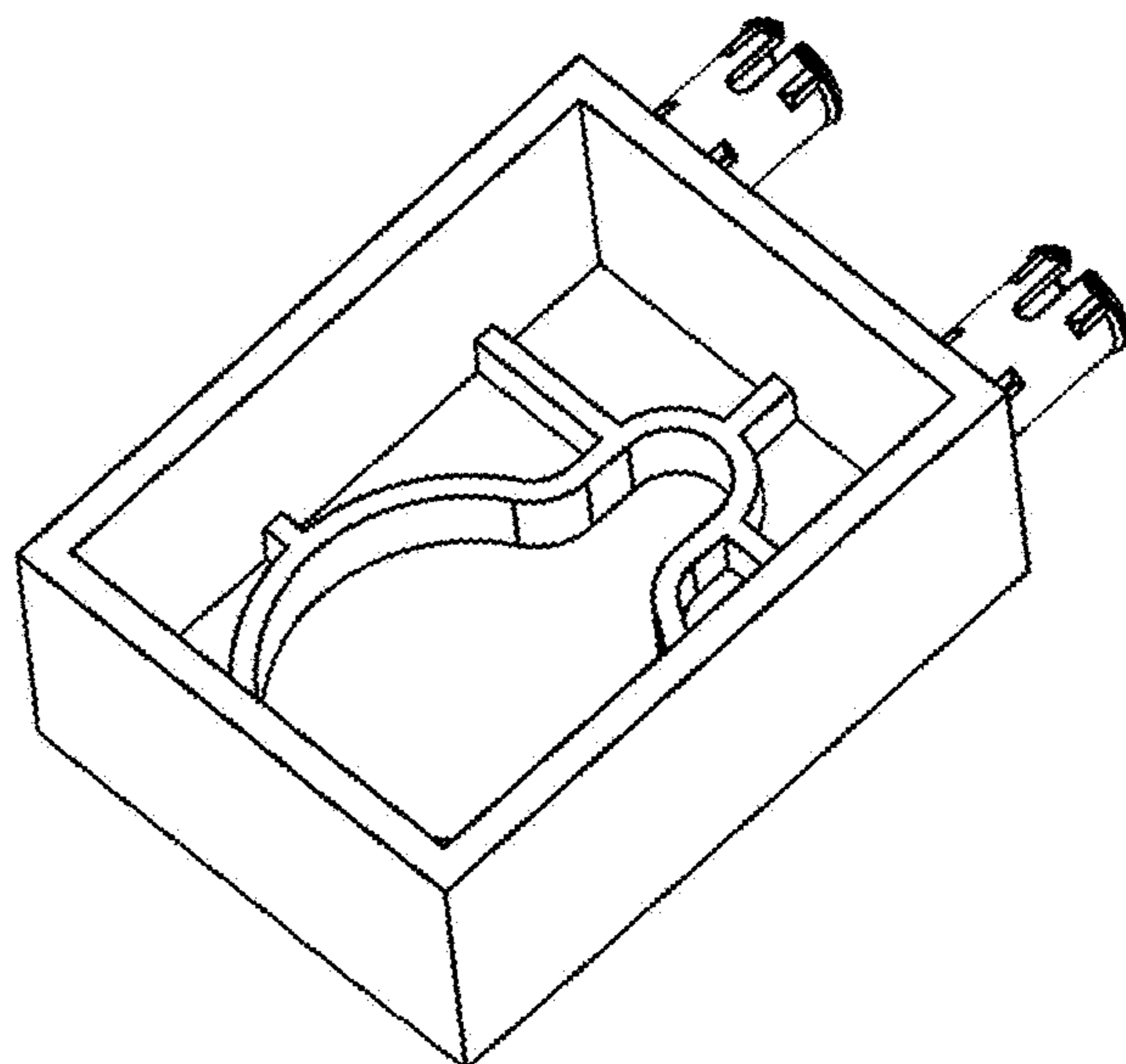
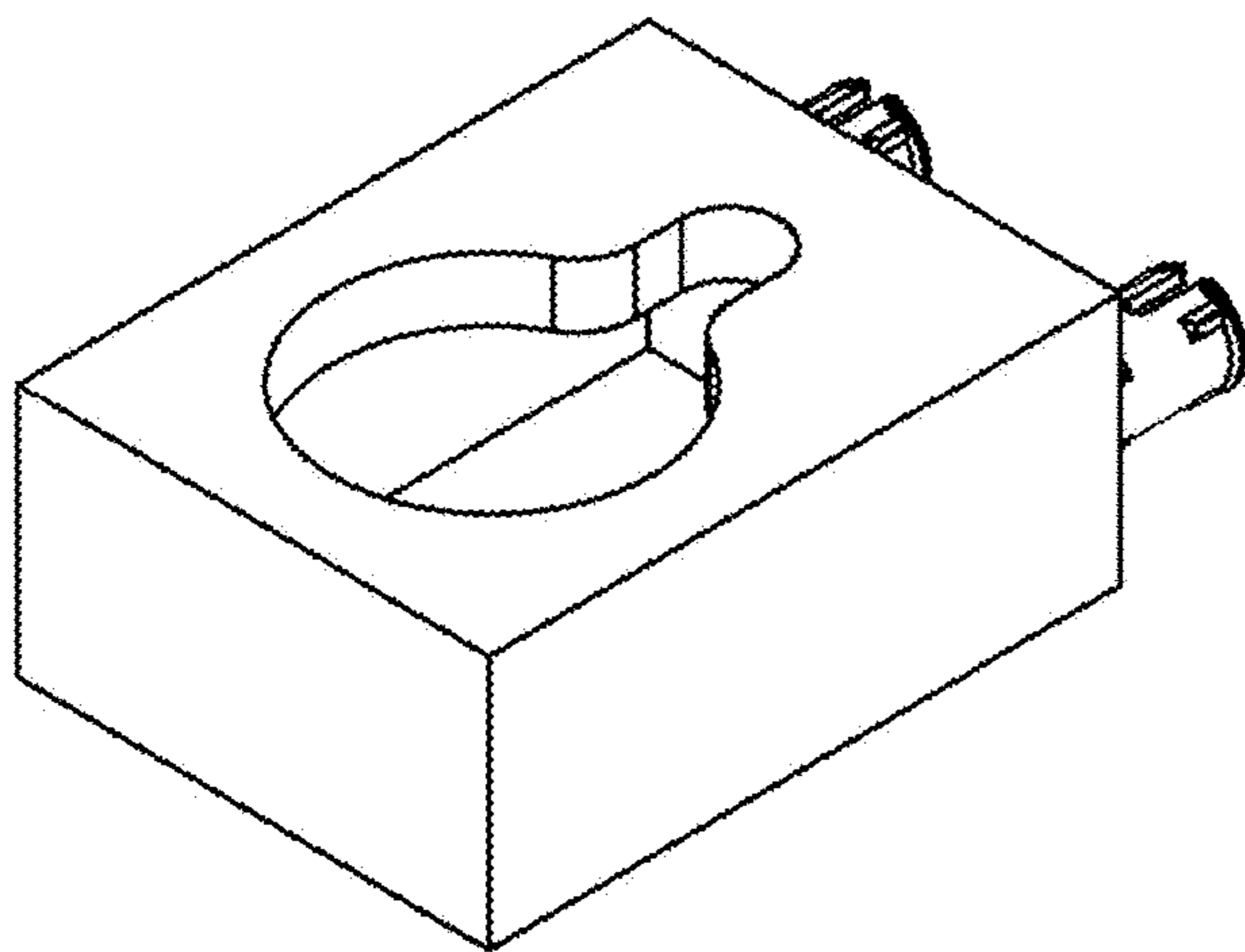
(57) **CLAIM**

We claim the ornamental design for a construction set element, as shown and described.

DESCRIPTION

FIG. 1 is a top perspective view of a construction set element, showing our new design;
 FIG. 2 is a bottom perspective view thereof;
 FIG. 3 is an enlarged front elevational view thereof;
 FIG. 4 is an enlarged rear elevational view thereof;
 FIG. 5 is an enlarged left side elevational view thereof;
 FIG. 6 is an enlarged right side elevational view thereof;
 FIG. 7 is a top plan view thereof; and,
 FIG. 8 is a bottom plan view thereof.

1 Claim, 4 Drawing Sheets



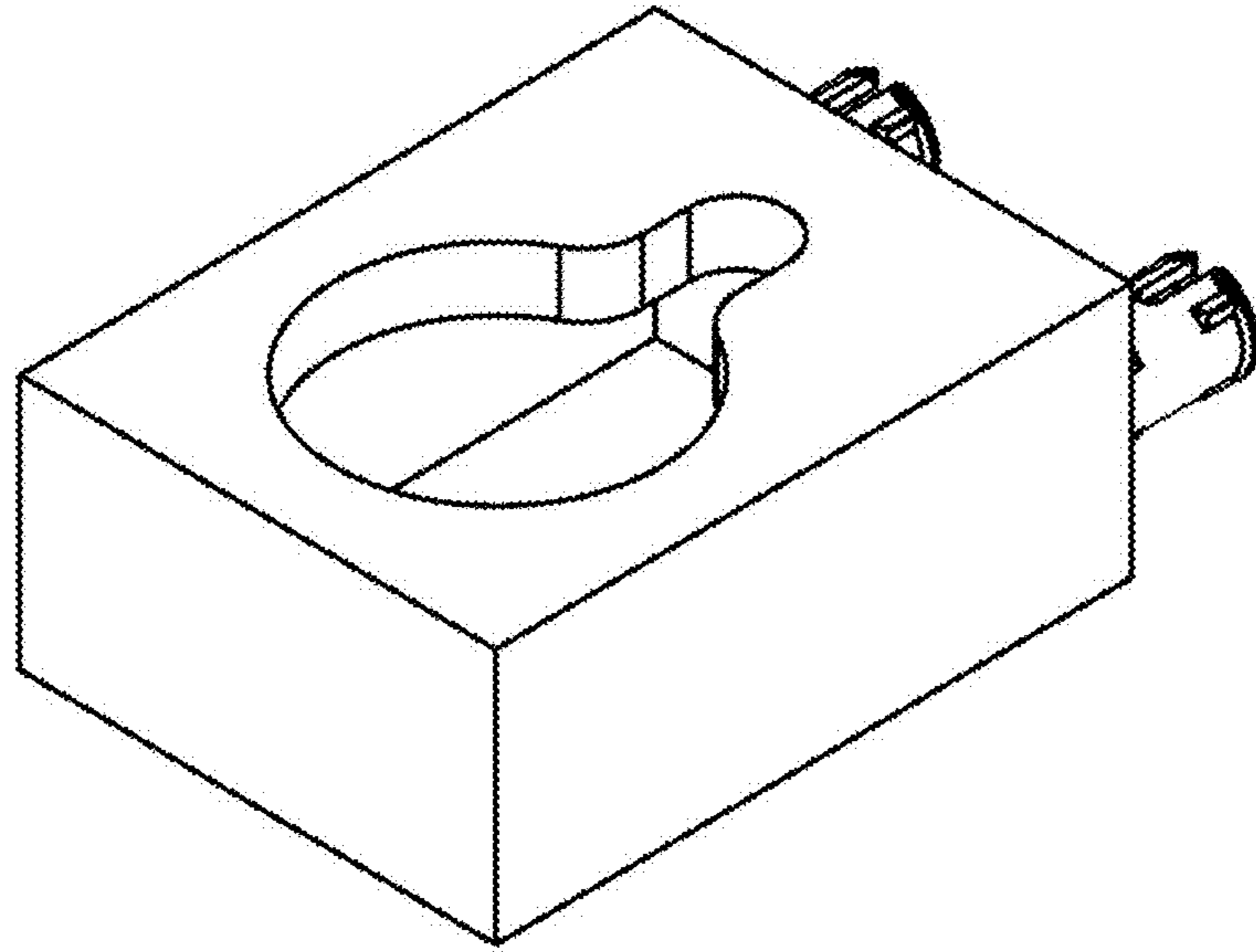


FIG. 1

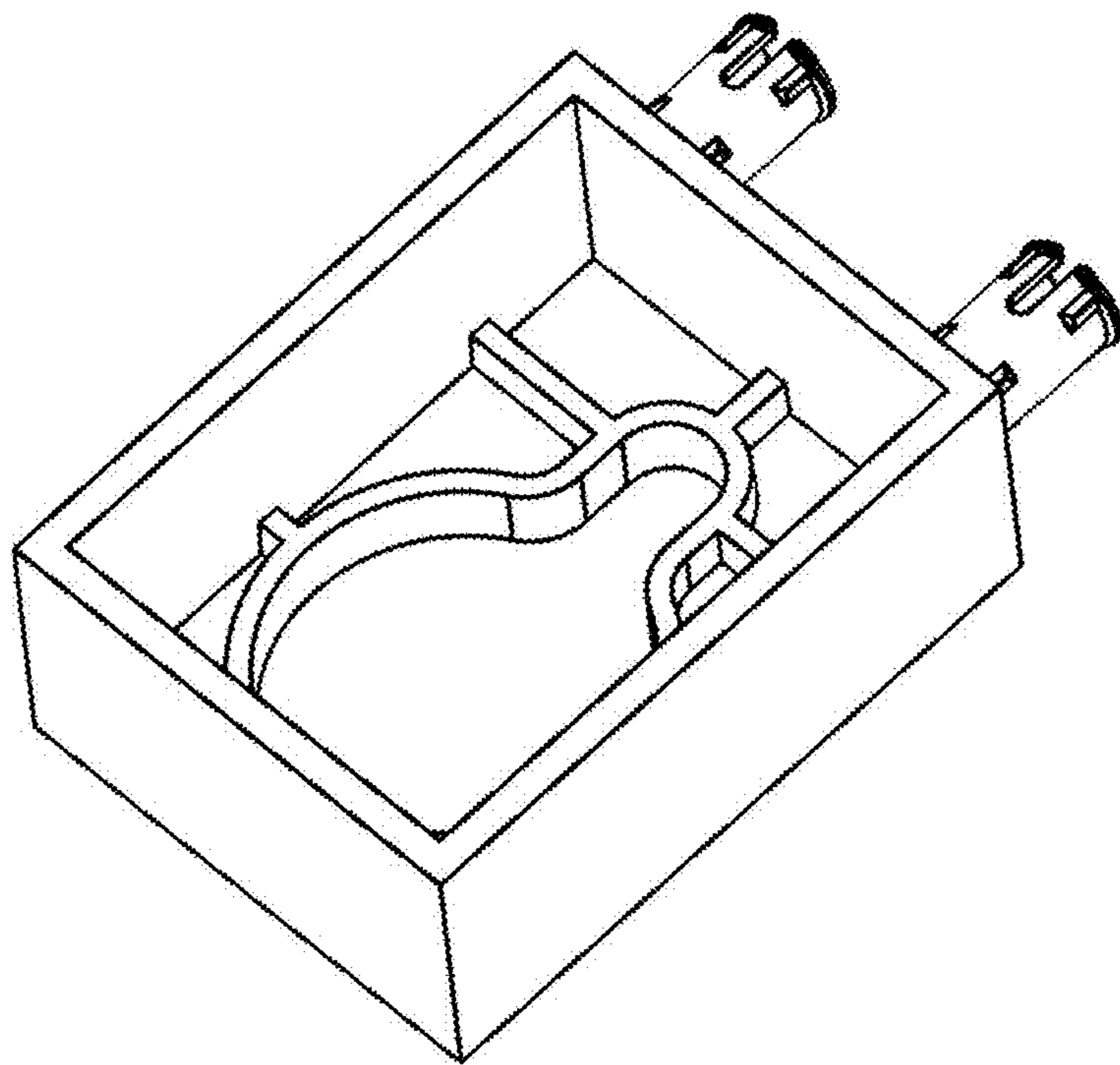


FIG. 2

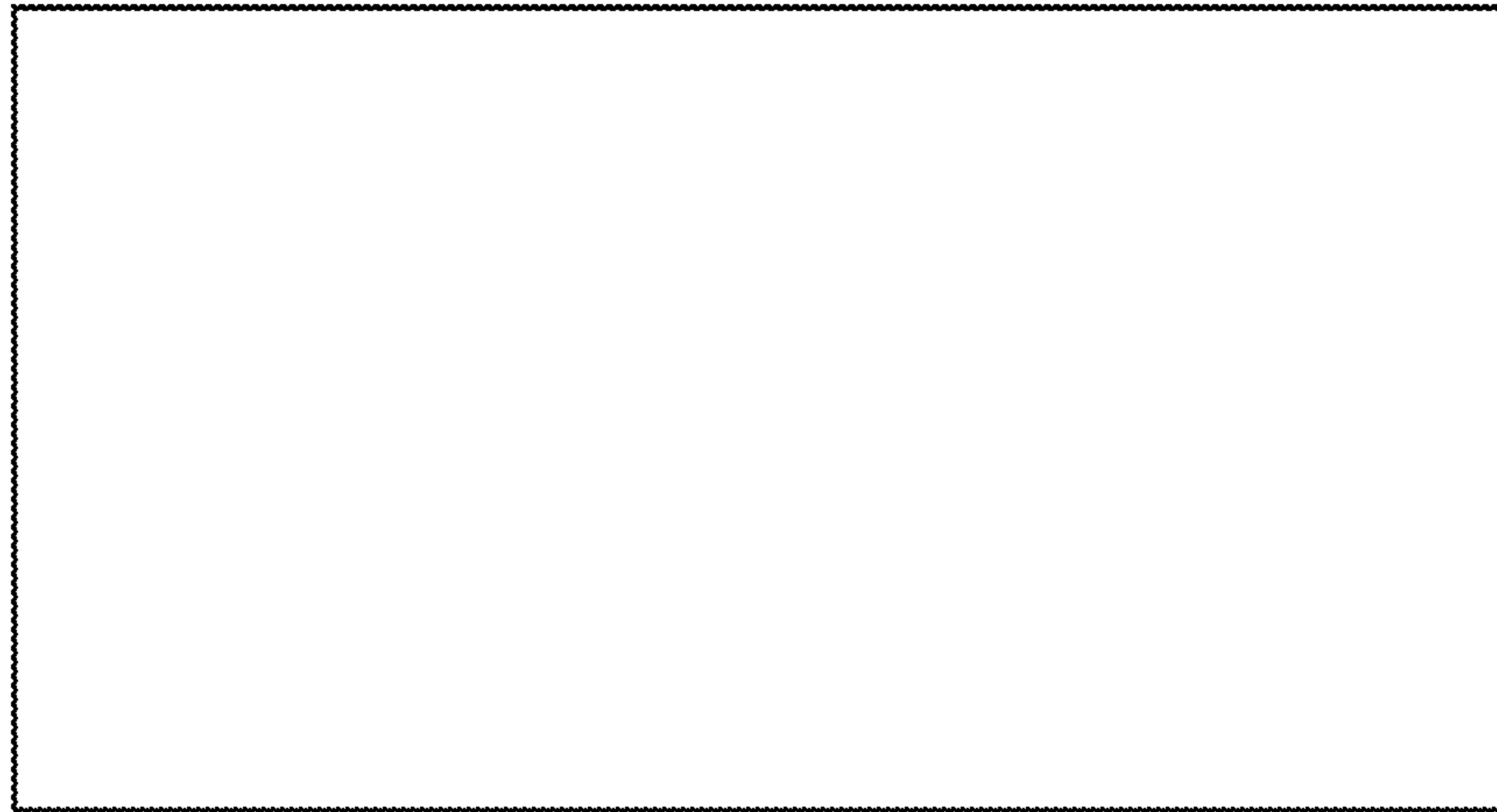


FIG. 3

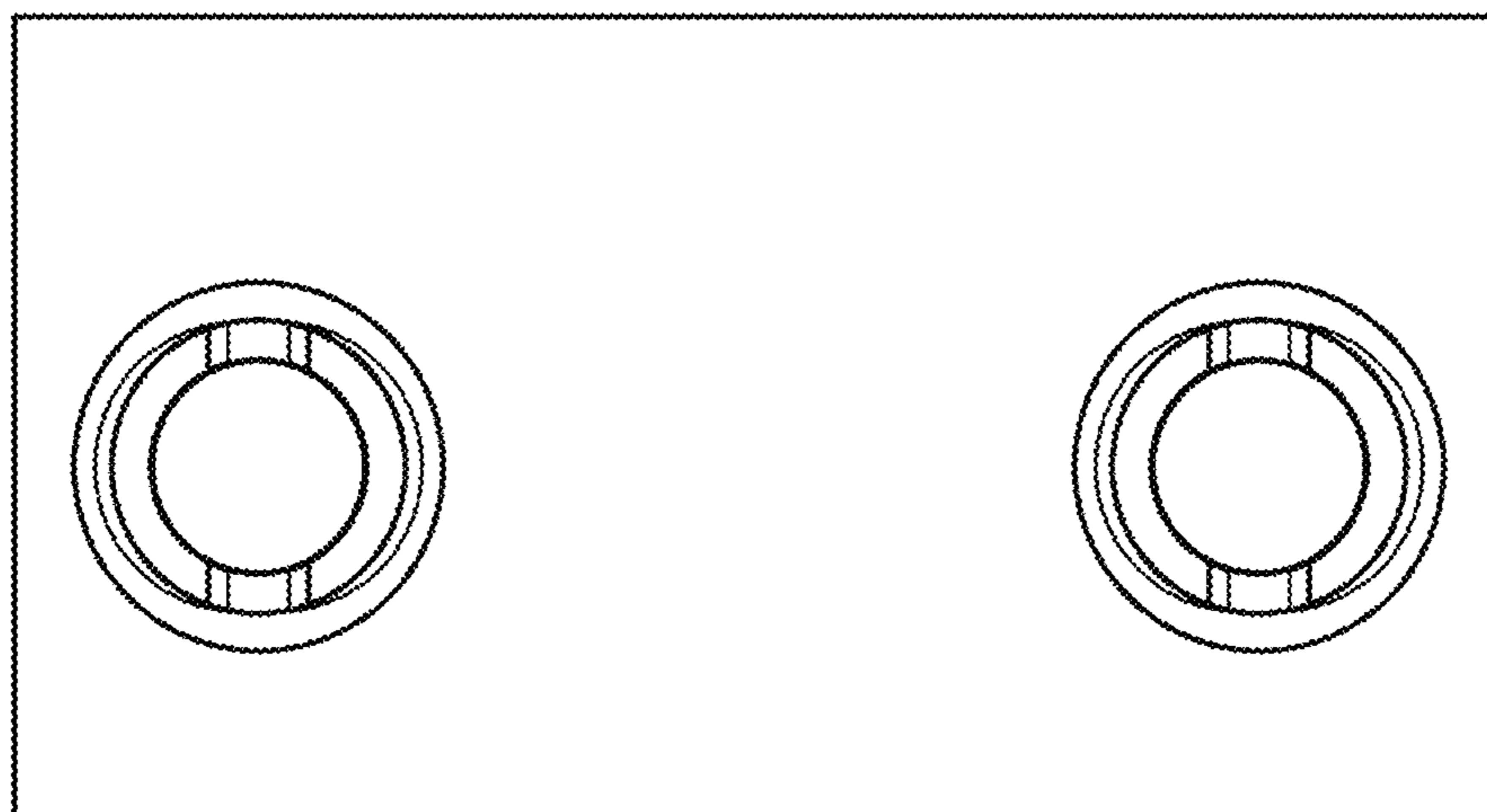


FIG. 4

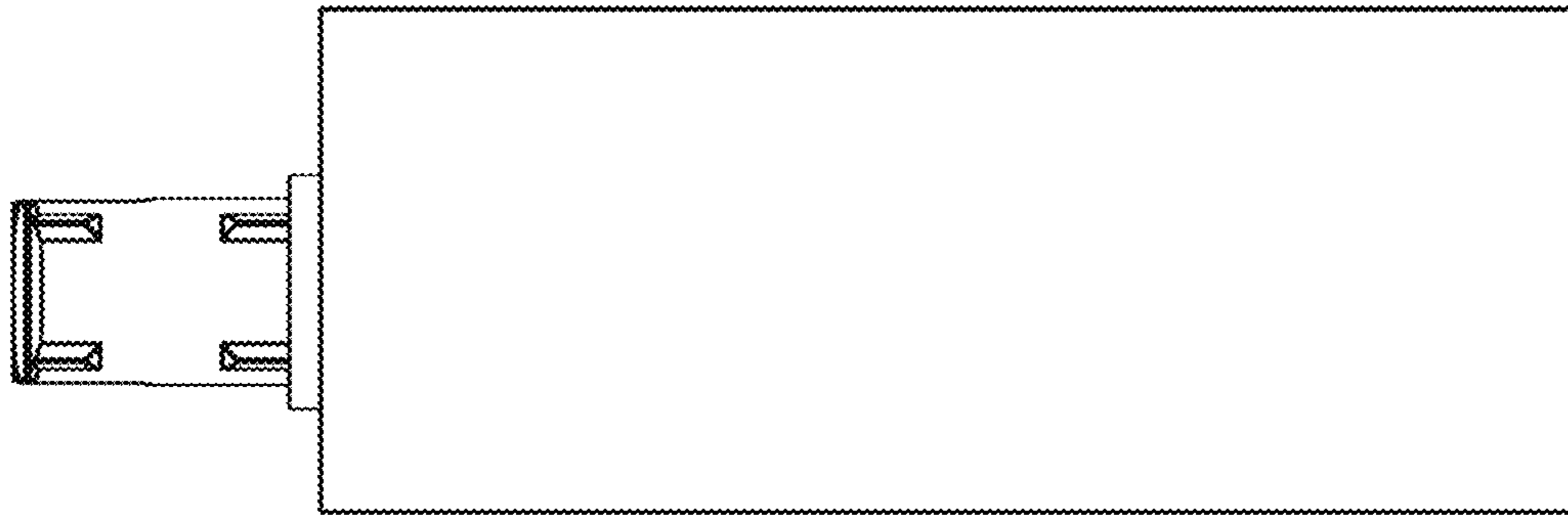


FIG. 5

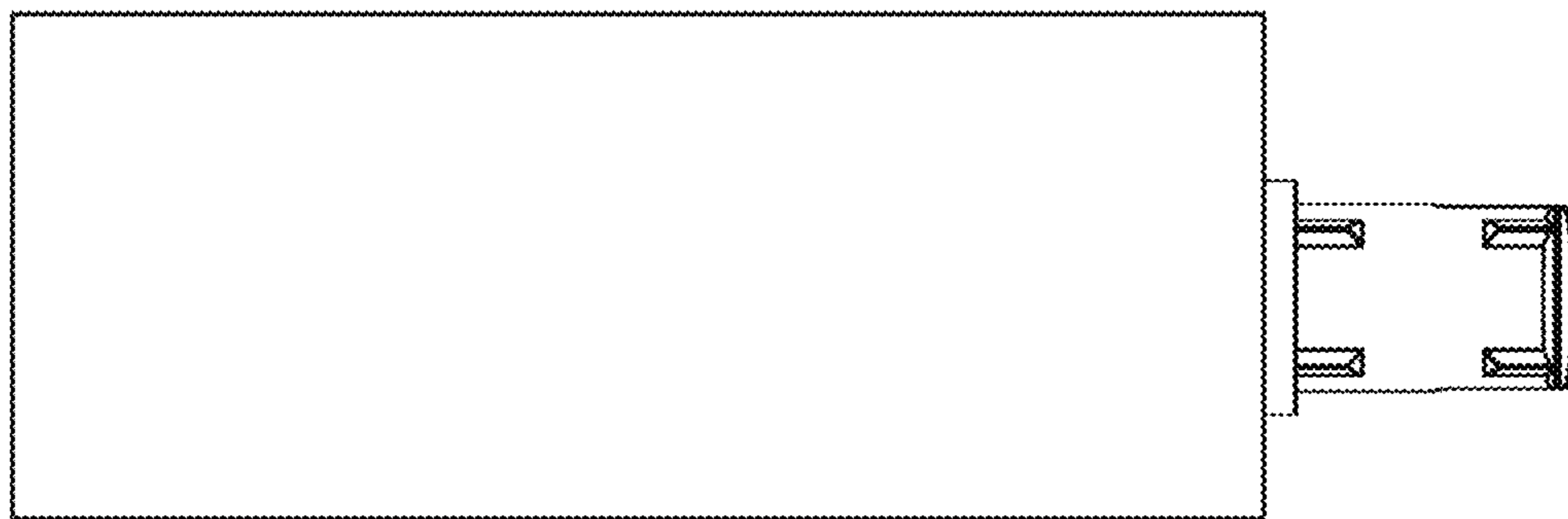


FIG. 6

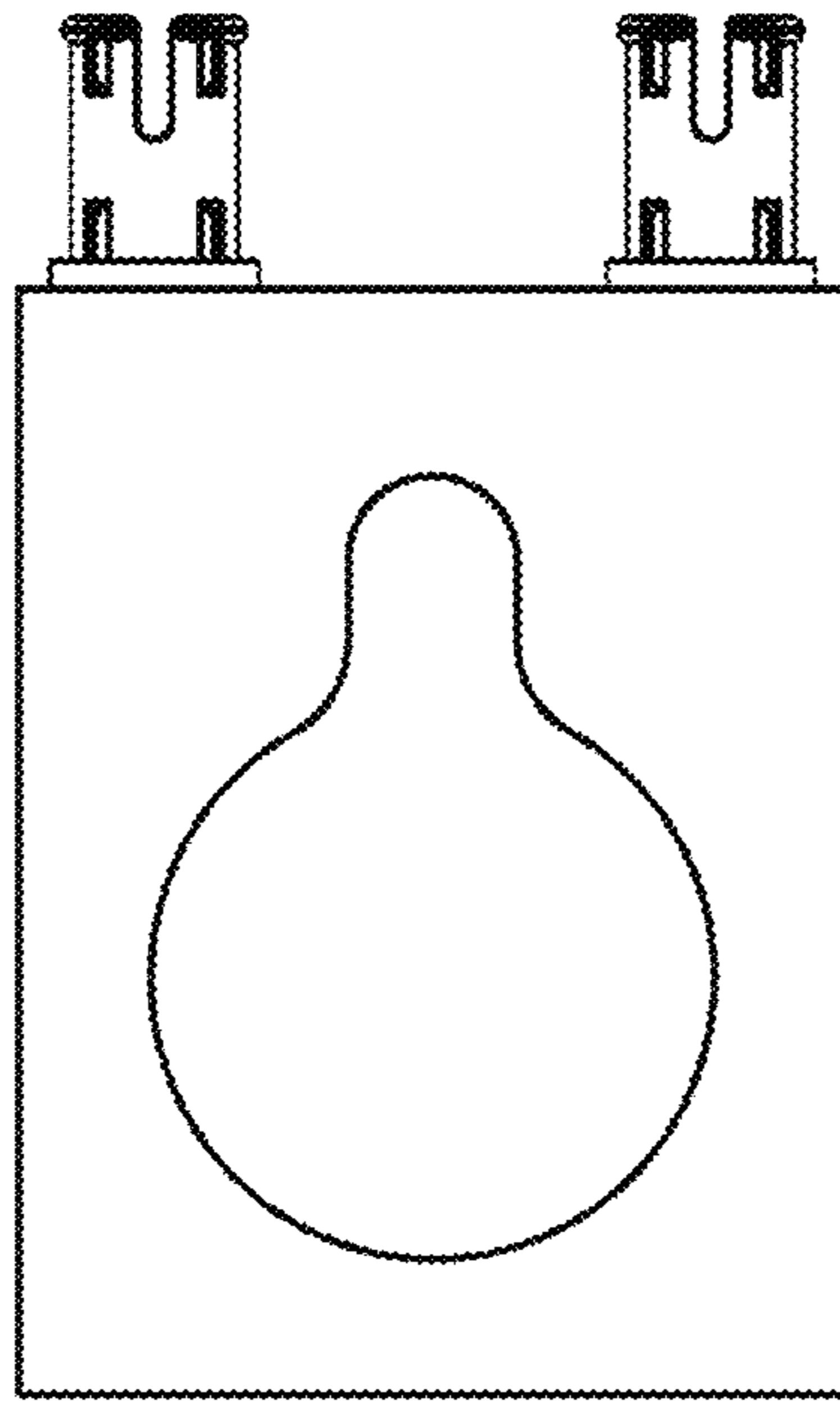


FIG. 7

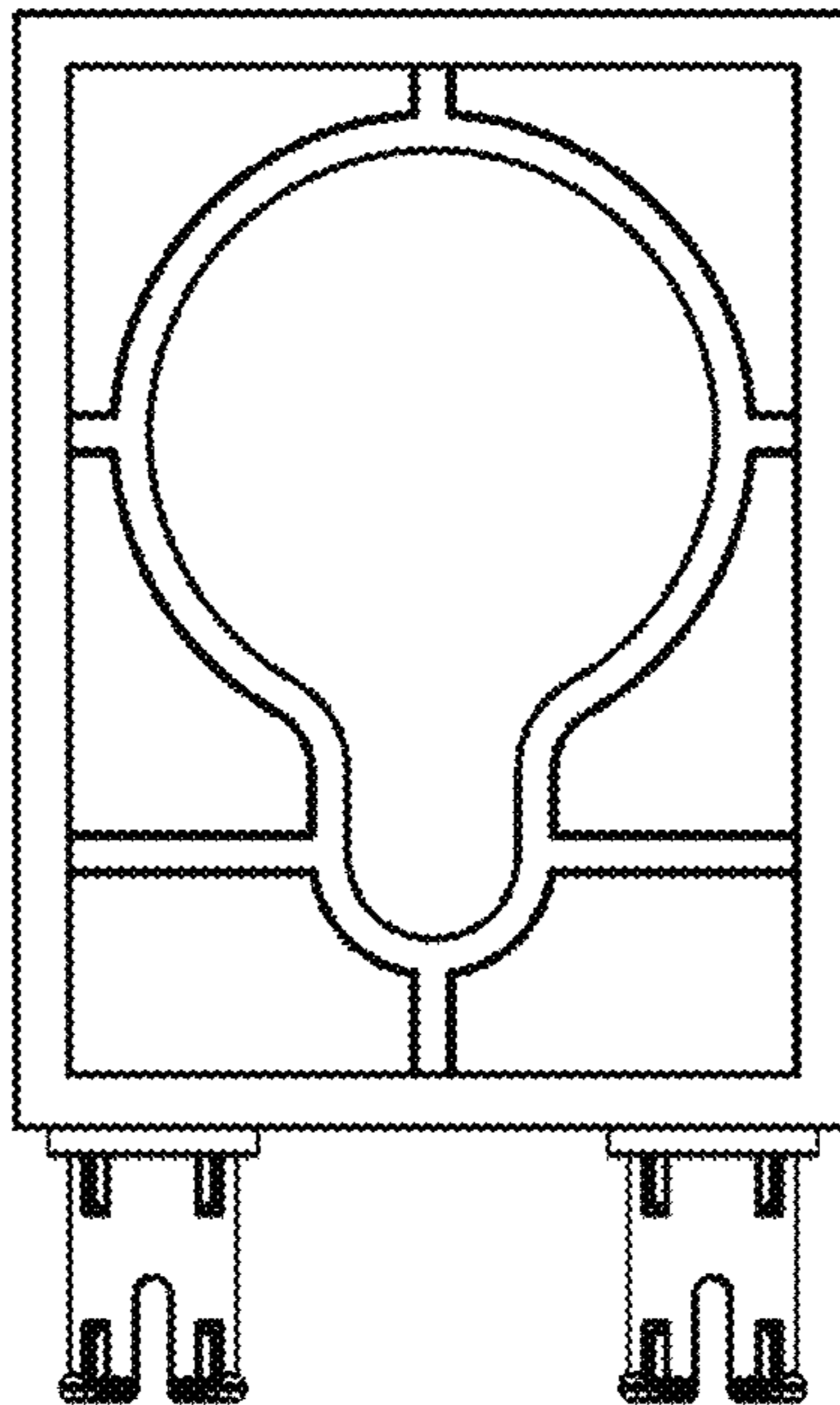


FIG. 8