



US00D900247S

(12) **United States Design Patent**
Hwang et al.

(10) **Patent No.:** **US D900,247 S**
(45) **Date of Patent:** **** Oct. 27, 2020**

- (54) **CONSTRUCTION SET ELEMENT**
- (71) Applicant: **LEGO A/S**, Billund (DK)
- (72) Inventors: **Byeongjun Hwang**, Ansan-si (KR);
Kyoungbae Na, Suwon-si (KR)
- (73) Assignee: **LEGO A/S** (DK)
- (**) Term: **15 Years**
- (21) Appl. No.: **29/693,292**
- (22) Filed: **May 31, 2019**
- (51) **LOC (12) Cl.** **21-01**
- (52) **U.S. Cl.**
USPC **D21/500; D21/504**
- (58) **Field of Classification Search**
USPC D21/478, 479, 484, 485-505
CPC A63H 33/00; A63H 33/04; A63H 33/06;
A63H 33/08; A63H 33/10; A63H 33/12;
A63H 33/14; A63F 9/0608; A63F 9/12;
G09B 1/36
See application file for complete search history.

D528,608 S *	9/2006	Kossmann	D21/486
D616,505 S *	5/2010	Kossmann	D21/501
D641,055 S *	7/2011	Andersen	D21/484
D715,873 S *	10/2014	Norman	D21/486
D716,384 S *	10/2014	Norman	D21/486

OTHER PUBLICATIONS

Bricklink, "Technic, Brick 5x5 Right Angle (1x4-1x4), Item No. 32555", Accessed online on Jun. 4, 2019, at <https://www.bricklink.com/v2/catalog/catalogitem.page?P=32555#T=C> "Years Released: 2001-2019".

* cited by examiner

Primary Examiner — Cynthia M. Chin

(74) *Attorney, Agent, or Firm* — Day Pitney LLP

(57) **CLAIM**

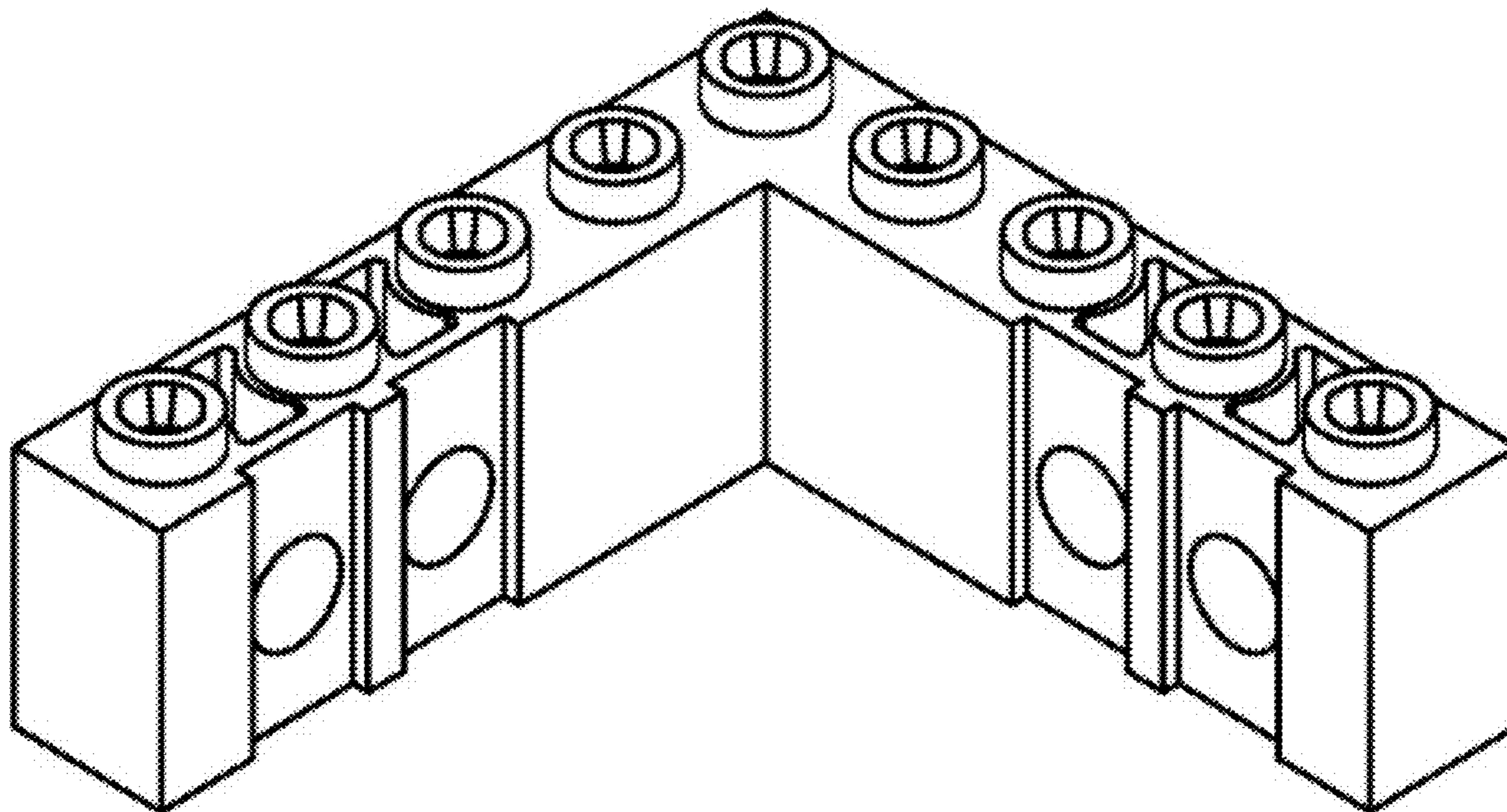
We claim the ornamental design for a construction set element, as shown and described.

DESCRIPTION

FIG. 1 is a top perspective view of a construction set element, showing our new design;
FIG. 2 is a bottom perspective view thereof;
FIG. 3 is an enlarged front elevational view thereof;
FIG. 4 is an enlarged rear elevational view thereof;
FIG. 5 is an enlarged left side elevational view thereof;
FIG. 6 is an enlarged right side elevational view thereof;
FIG. 7 is a top plan view thereof; and,
FIG. 8 is a bottom plan view thereof.

1 Claim, 4 Drawing Sheets

- (56) **References Cited**
U.S. PATENT DOCUMENTS
D350,785 S * 9/1994 Kushner D21/500
D374,465 S * 10/1996 Schmidt D21/486
D406,611 S * 3/1999 Holm D21/484
D410,973 S * 6/1999 Jensen D21/486
6,461,215 B1 * 10/2002 Kunz A63H 33/042
446/102
6,682,385 B2 * 1/2004 Atzen A63H 33/088
273/156



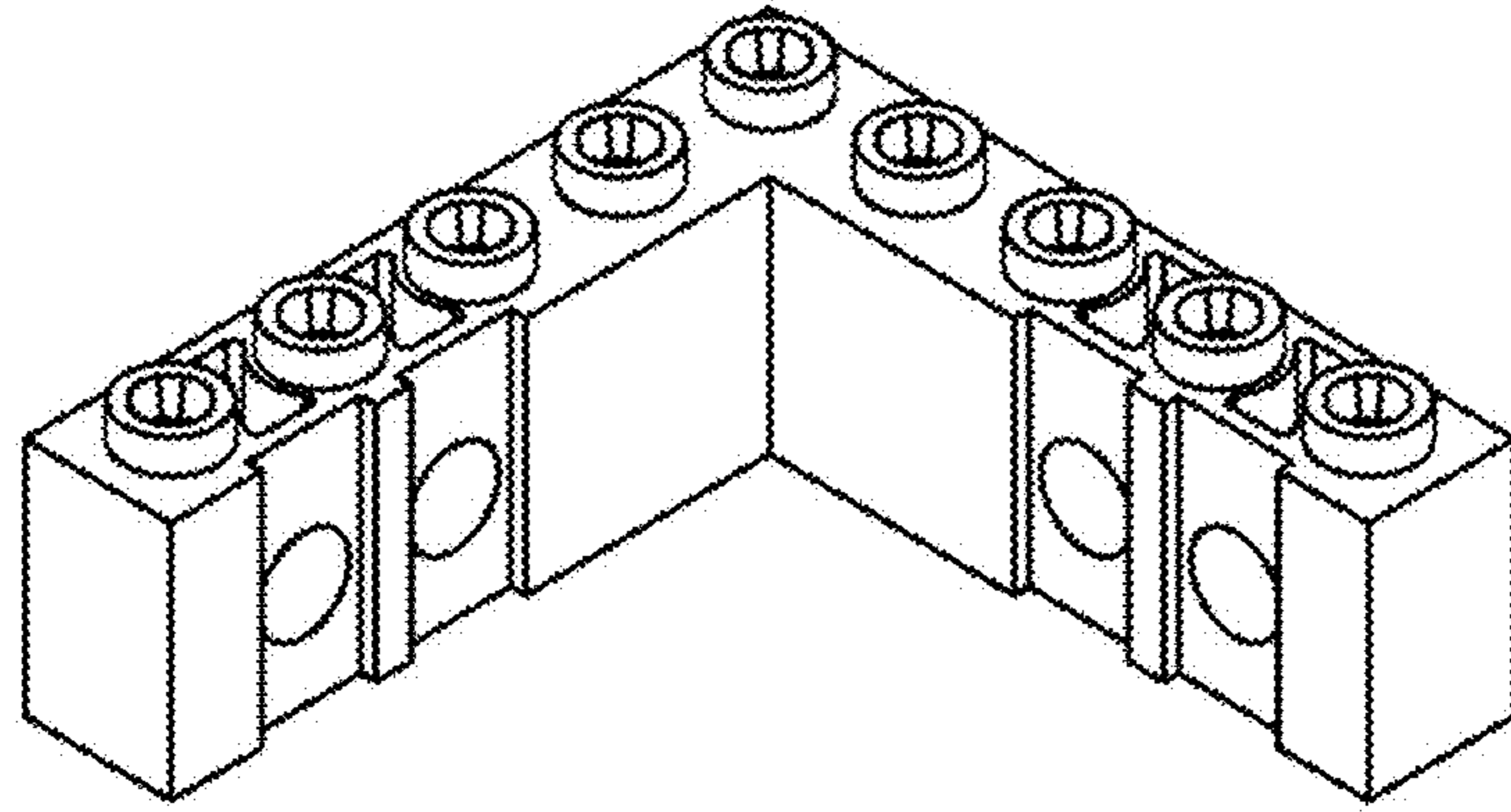


FIG. 1

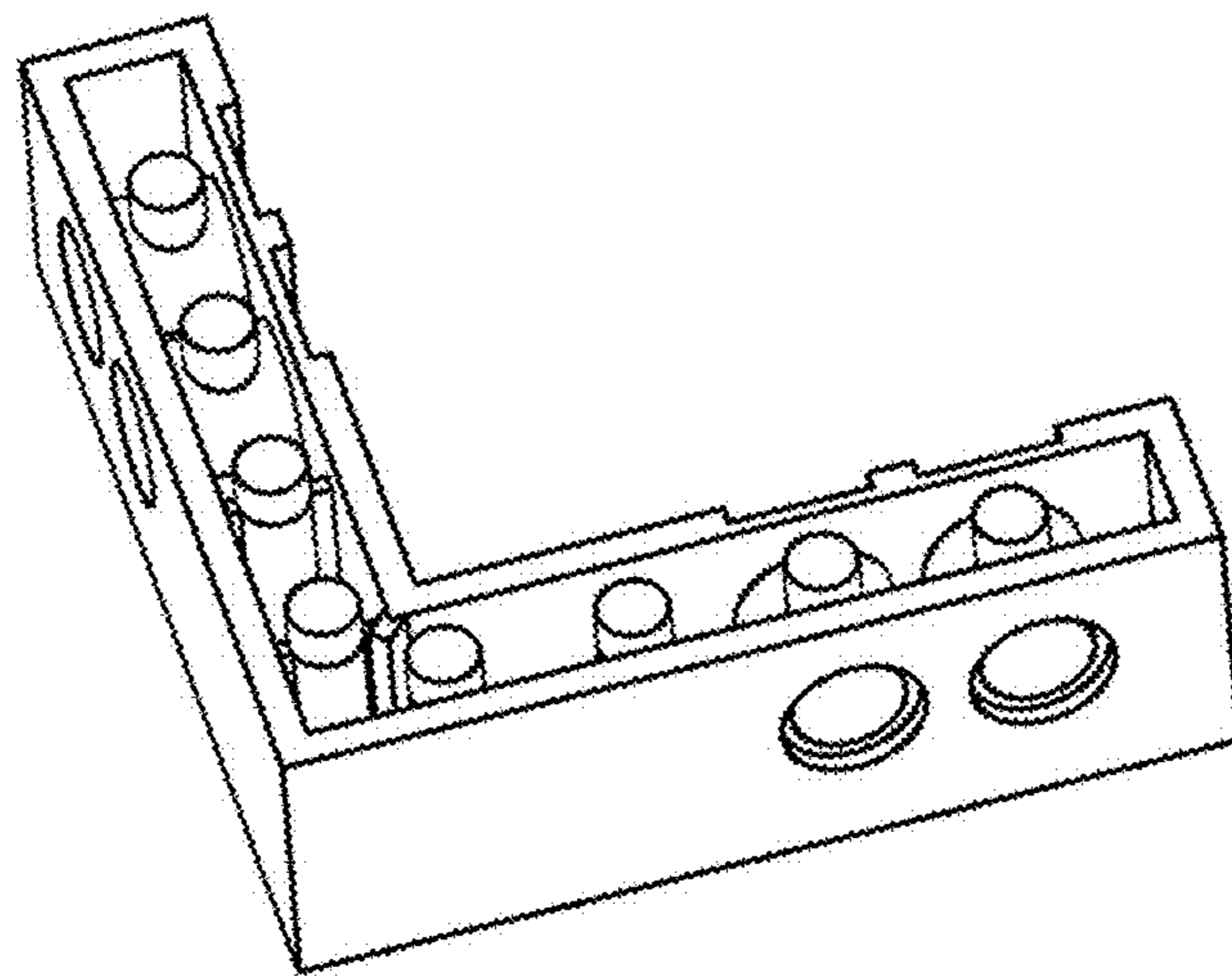


FIG. 2

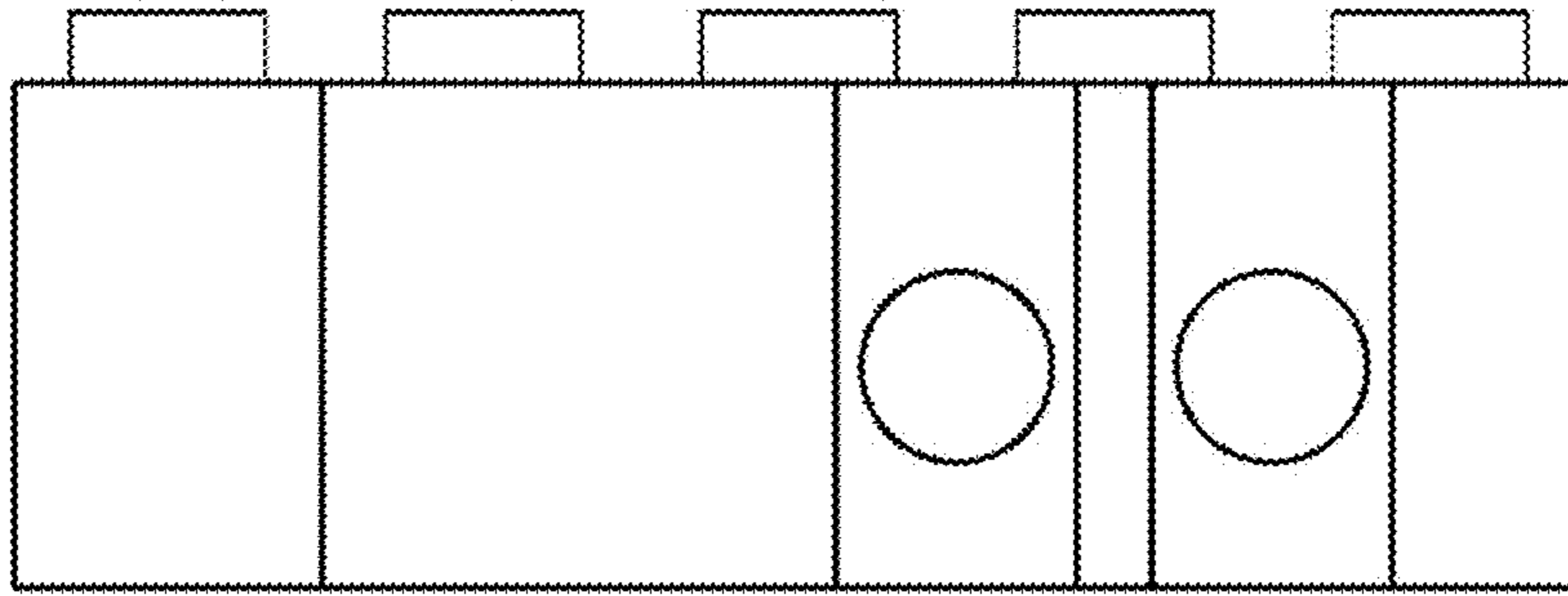


FIG. 3

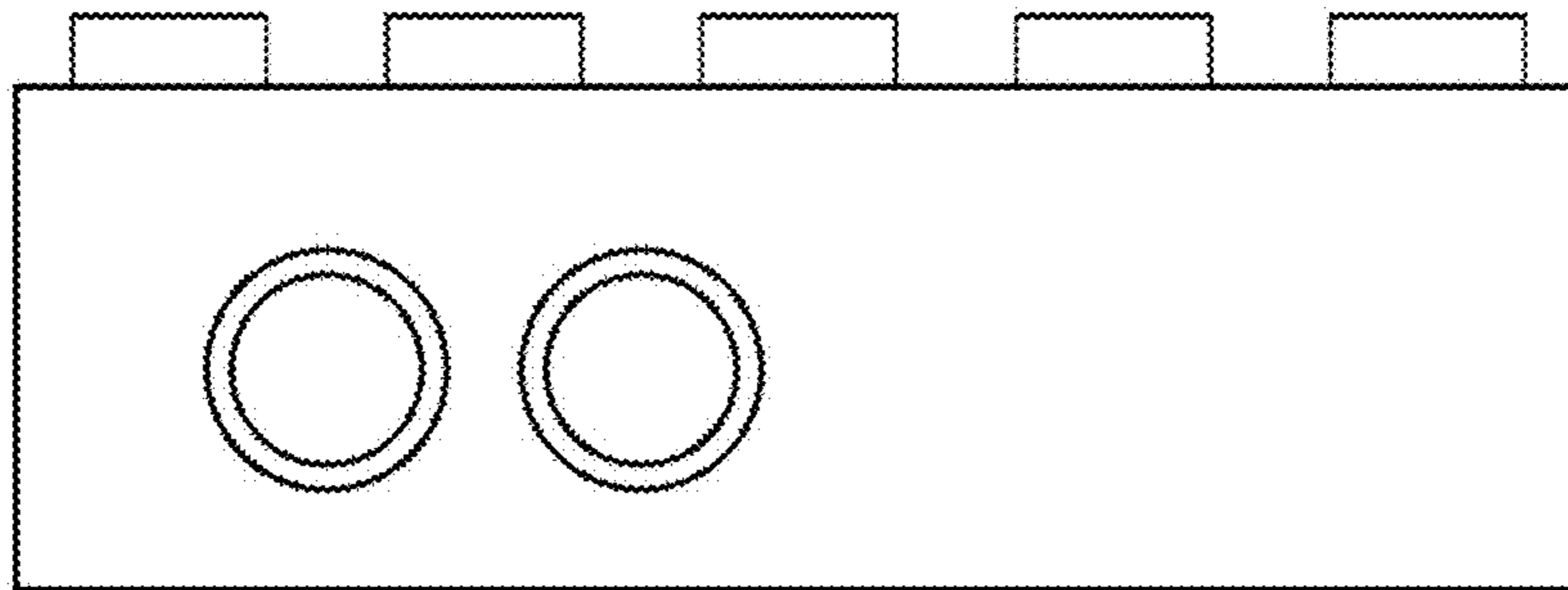


FIG. 4

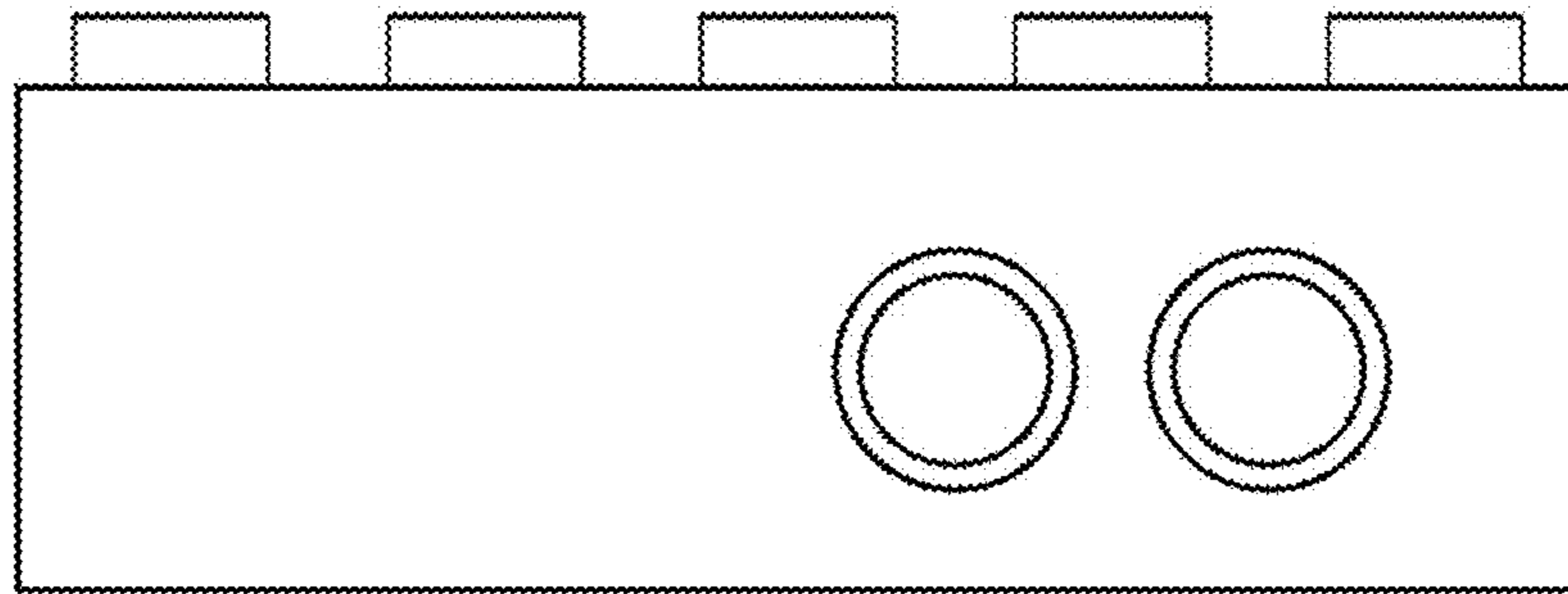


FIG. 5

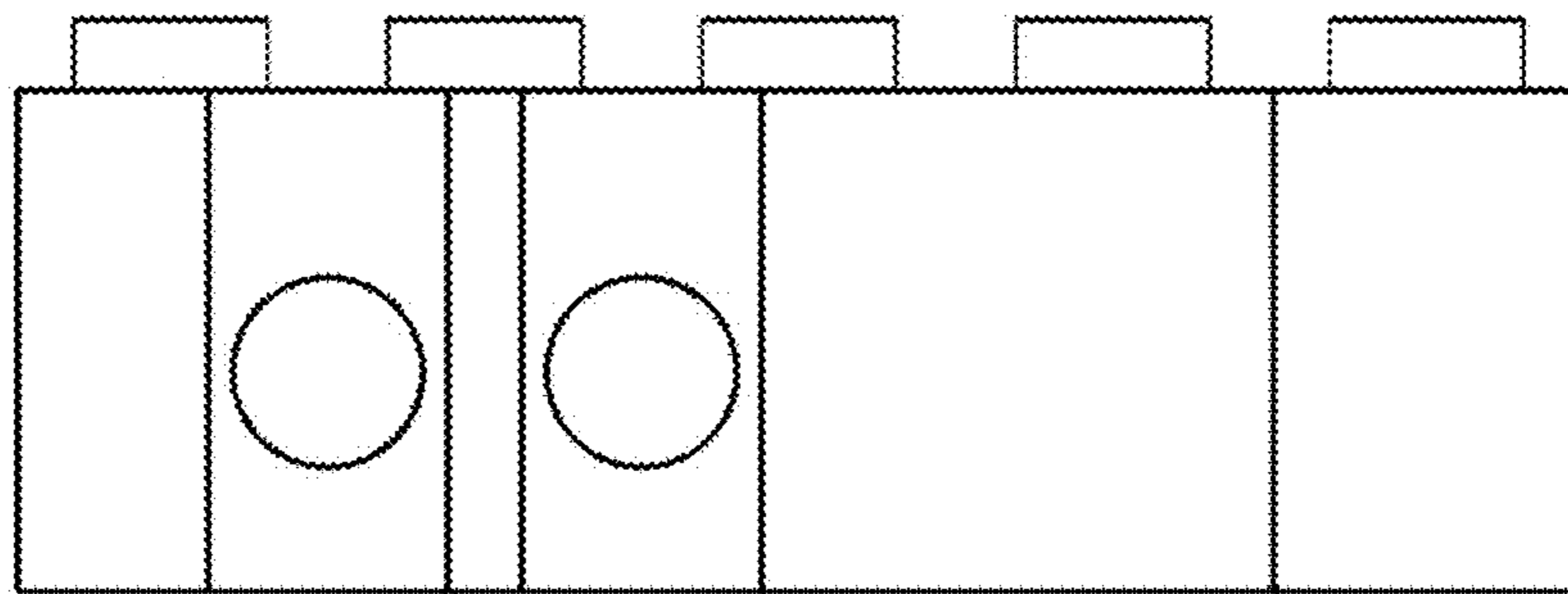


FIG. 6

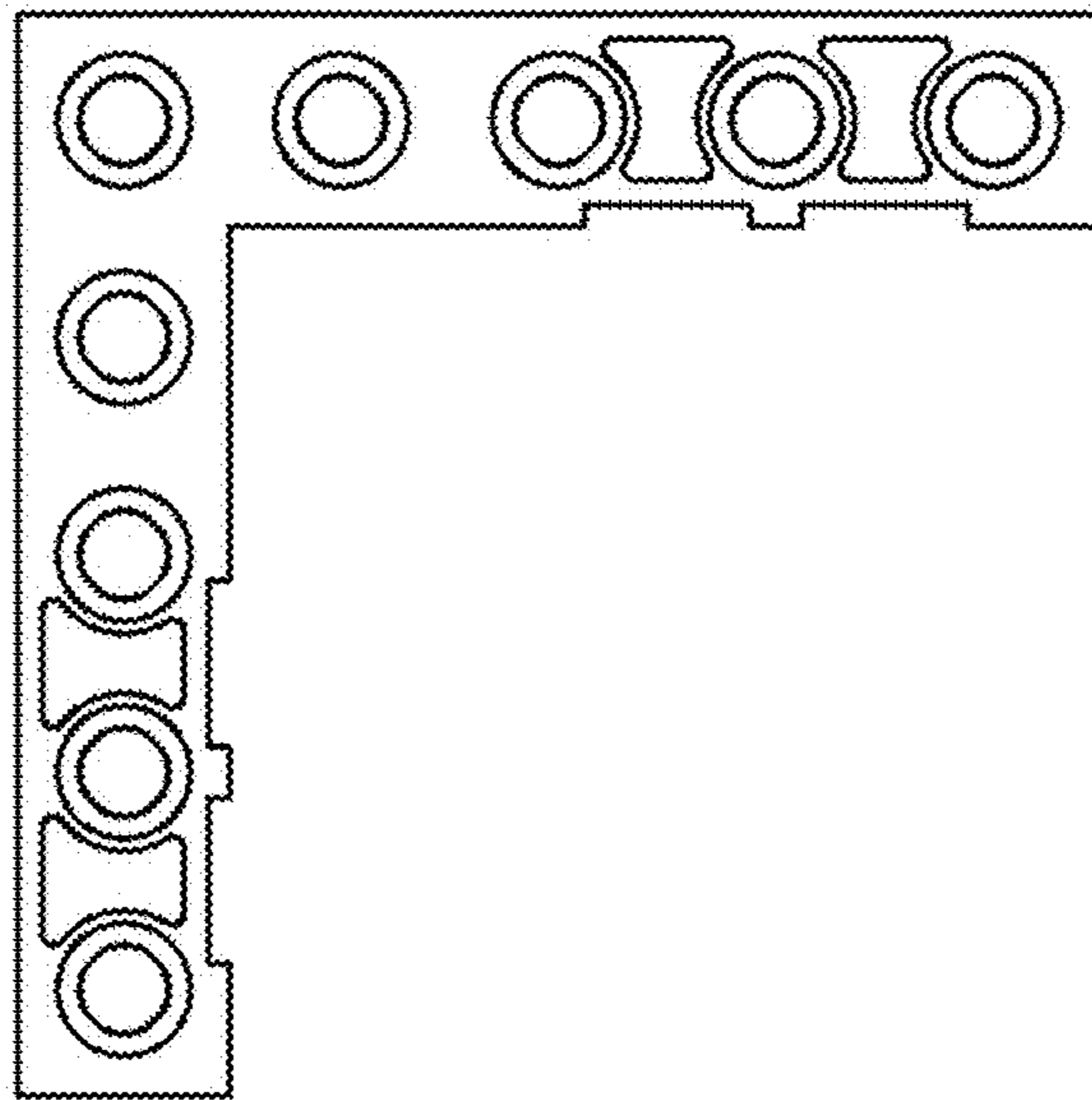


FIG. 7

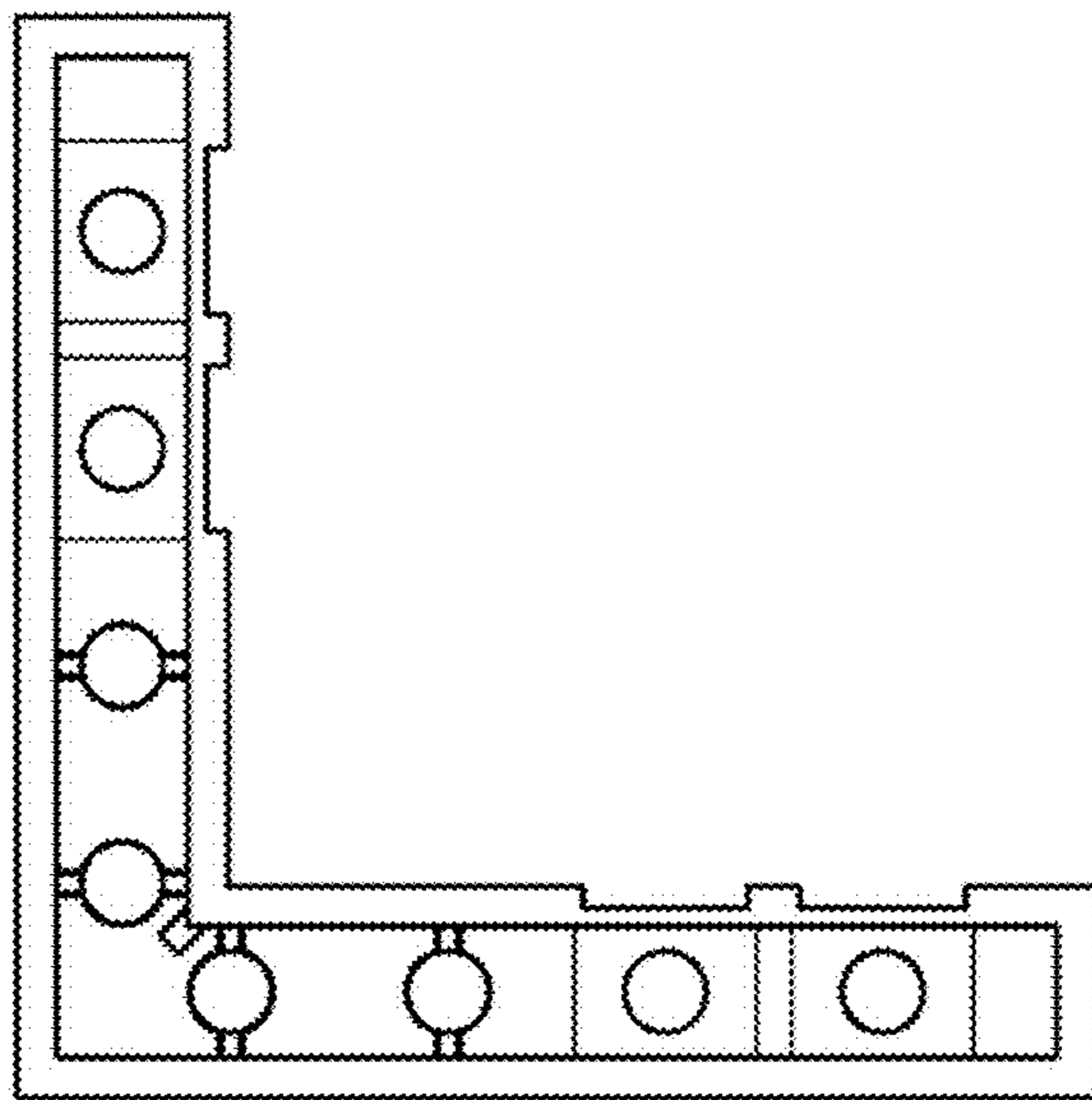


FIG. 8